

WEEB Washer, Electrical Equipment Bond



- Bonds PV modules to mounting structures
- Specialized teeth on washer embeds into anodized aluminum to establish gas-tight electrical connection
- 304 Stainless Steel washer
- Stock parts for most popular mounting systems
- Custom WEEB designs also available
- ETL Listed to UL 467
- UL Recognized to UL 2703

WEEB LUG

- Corrosion resistant, tin plated, copper lay-in lug
- Features WEEB technology
- Available assembled or unassembled
- UL 467 Listed



WEEB BONDING JUMPER



- Corrosion resistant, tin plated, copper braid
- Maintains electrical bond across spliced rails
- Features WEEB technology
- Equivalent to #6 AWG copper conductor
- Available assembled or unassembled
- UL 467 Listed

CABLE CLIPS

- Attaches to frames or rails
- Corrosion resistant 304 Stainless Steel
- Easy installation and removal
- Prevents damage to cables
- Sized for USE-2 Cable and PV Cable



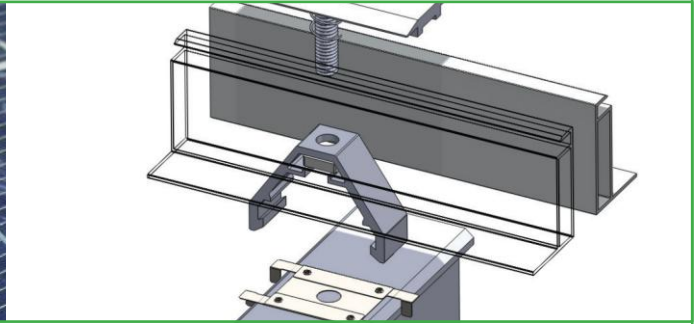
CONDUIT ENTRY BOX



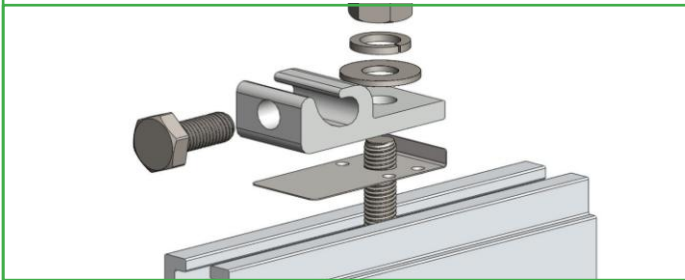
- Pass-through or combiner box with bracket
- Compatible with any conduit type
- Two-piece protective enclosure for transitioning PV array wire to conduit wire
- UL 1741 Listed

Balance of System solutions for PV applications

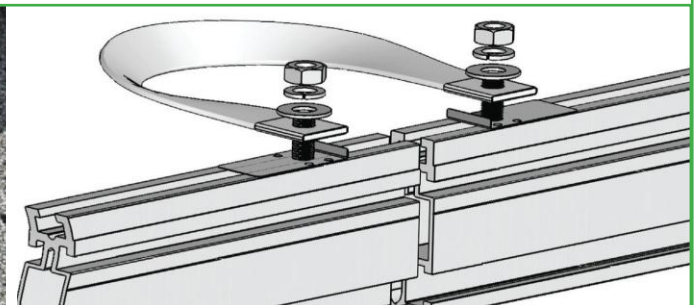
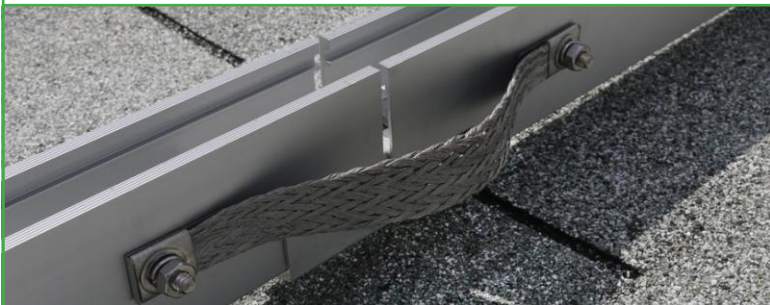
WEEB Washer, Electrical Equipment Bond



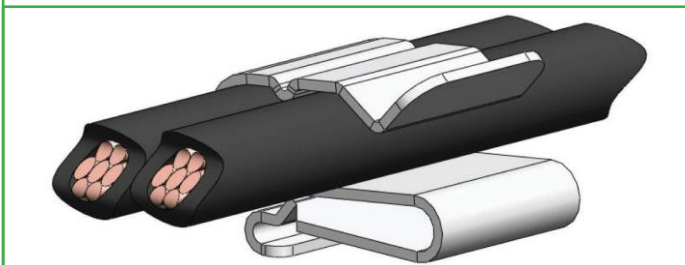
WEEB LUG



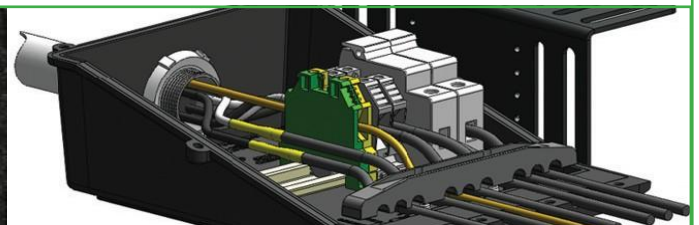
WEEB BONDING JUMPER



CABLE CLIPS



CONDUIT ENTRY BOX



Customer Service Department
7 Aviation Park Drive
Londonderry, NH 03053
1-800-346-4175
1-603-647-5299 (International)