



Power Mini-Mizer® Cable Assembly - IP68 Rated, 30 Amps

2 thru 4 position "D" Size

Conxall® is pleased to announce the latest in the Sensor-Link line of products. Rugged construction makes this cable assembly perfect for harsh environments. With an IP68 rating, even outdoor equipment can be fully protected when using this cable assembly. Great for high power applications as this cable assembly can operate up to 30 amps @ 600V.

Features & Benefits:

- Up to 30 amps @ 600V continuous with 10 AWG contacts and wire•
- IP68 rating when mated•
- Panel mounts are epoxy sealed as a standard•
- Durable shell materials in standard nylon, aluminum or stainless steel•
- Quick installation•
- Gold plated contacts are standard for high reliability•

For more information, visit: www.conxall.com

Power Mini-Mizer® Cable Assembly

Product Specifications:

Electrical Ratings: Up to 30A / 600V AC/DC

Environmental: NEMA 6P, IP68, RoHS

Temperature Rating: -4° F to 212°F
(-20°C to 100°C)

Certifications: UL Recognized, File #E150822

Contacts: Copper Alloy, Gold Plated

Conductor Sizes: 2, 3 & 4 qty., #10, #12 or #14

Inserts: Thermoplastic elastomer (TPE) with optional PVC or PUR

Overmold: Thermoplastic elastomer (TPE) with optional PVC or PUR

Coupling Nuts & Panel Shell Material:

Thermoplastic elastomer (TPE) with optional aluminum or stainless steel

Cable/ Wire:

-Cable: 2, 3 & 4 contacts, #10, #12, or #14AWG

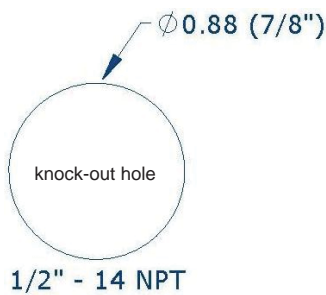
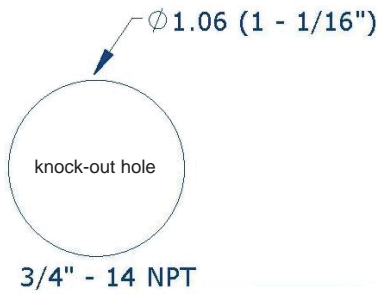
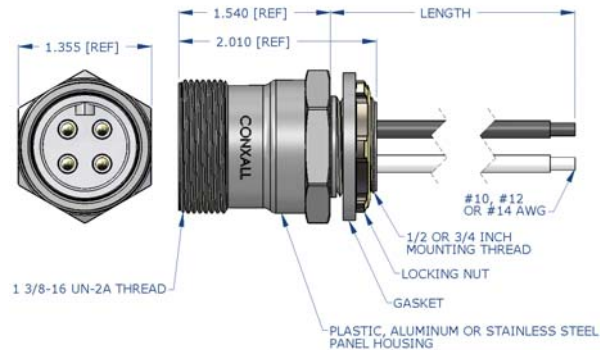
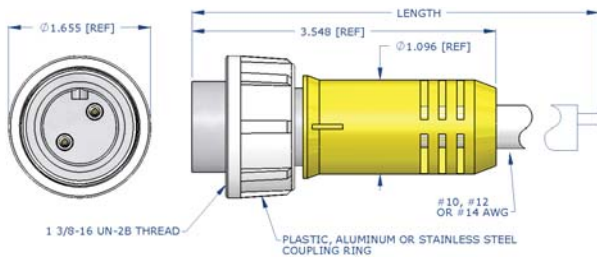
-Black or Yellow oil resistant thermoplastic elastomer jacket with optional PVC or PUR

-Fine stranded copper conductors

-600V, SEOW, 105 °C (221°F)

	2P			3P			4P		
MALE FACE VIEW									
COLOR CODE	1- black 2- white			1- black 2- white 3- green-gnd			1- black 2- green-gnd 3- red 4- white		
VOLTAGE	600V AC/DC			600V AC/DC			600V AC/DC		
CONDUCTOR	#14	#12	#10	#14	#12	#10	#14	#12	#10
CURRENT	18A	25A	30A	18A	25A	30A	15A	20A	24A

	2P			3P			4P		
FEMALE FACE VIEW									
COLOR CODE	1- black 2- white			1- black 2- white 3- green-gnd			1- black 2- green-gnd 3- red 4- white		
VOLTAGE	600V AC/DC			600V AC/DC			600V AC/DC		
CONDUCTOR	#14	#12	#10	#14	#12	#10	#14	#12	#10
CURRENT	18A	25A	30A	18A	25A	30A	15A	20A	24A



Part Number Chart:

P 17 XSXP XX U X P2 - 36

Prefix "P" Indicates Power Connector

ASSEMBLY TYPE

17 - Panel Mount
16 - Female or Male Straight

55 - Double Ended Combination
56 - Double Ended Straight
51 - Double Ended Str Extension Cable

NUMBER & GENDER OF CONTACTS

Pin or Socket
First set is End "A" & Straight
Second set is End "B"

COUPLING RING / PANEL SHELL MATERIAL

"Blank" - Nylon

"SS" - Stainless Steel

"AH" - Aluminum, Light Black Hard Coat

CABLE/HOOKUP WIRE LENGTH - Inches

HOOK UP WIRE INSULATION OR CABLE JACKET MATERIAL & CONDUCTOR SIZE

"T" - TPE Rubber "1" - 10 AWG
"U" - Polyurethane "2" - 12 AWG
"P" - PVC "4" - 14 AWG

PANEL MOUNT REAR THREADS

"Blank" - 3/4 inch External thread
"A" - 1/2 inch External thread

INSERT & OVERMOLD MATERIAL

"Blank" - Santoprene Rubber
"U" - Polyurethane
"P" - PVC