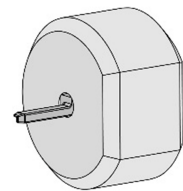


**Extractor Tool**



**Application Tooling  
Specification Sheet**



**Order No. 63824-7700**

**FEATURES**

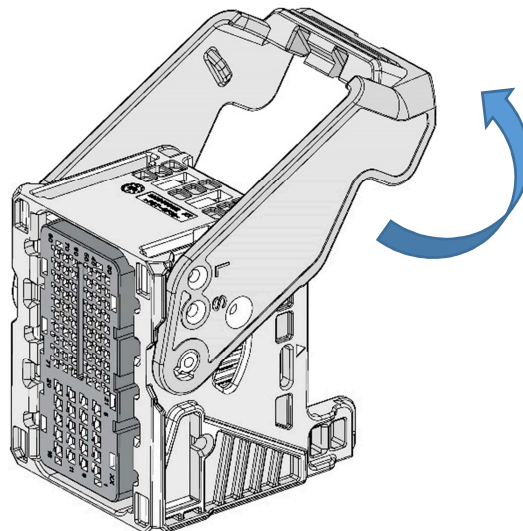
- This extractor tool is for the removal of a CTX-J 100 receptacle crimp terminal from a Compactus connector.

**SCOPE**

**Products:** CTX-J 100 Receptacle Crimp Terminal for Compactus Connector.

Terminal Series No.	Terminal Order No.	Housing Order No.				
		560205	560205-0101 560205-0102	560151-4821	560151-4831	560152-6621
		560153-7231	560154-8021	560154-8031	560155-1421	560155-1431

Before insertion or extraction of a terminal, ensure that the sliding locking lever is in the open position.

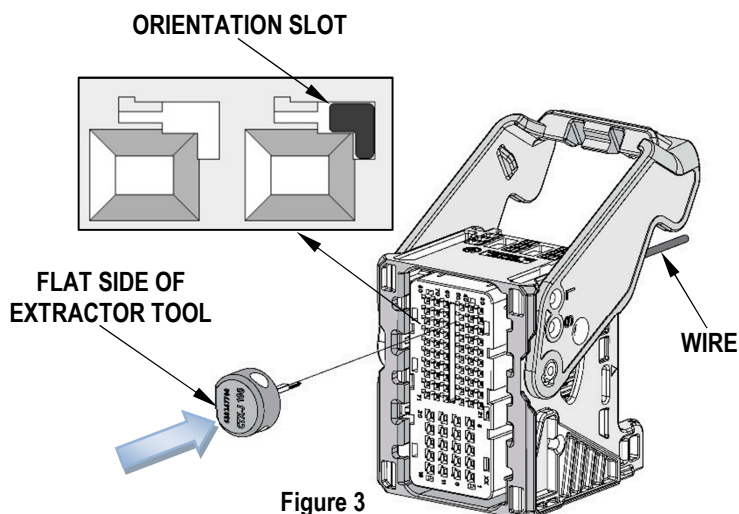


**OPERATION**

When removing a damaged crimped wire from the connector, follow the steps below:

1. The extractor tool has a flat side to identify the correct tool position.
2. Turn the extractor tool until the flat part of the handle is lined up correctly with the housing.

3. Position the blade of the extraction tool into the orientation slot in the front face of the housing. See Figure 3.
4. Use the identifying markings on both the front and back of the connector to locate the opening used to extract the crimped wire.
5. Push extractor tool into the desired orientation slot until it bottoms out on the handle. See Figure 4.
6. Pull the wire out of the housing.



**Note**

Molex does not offer repair parts for extractor tools due to the inexpensive nature of these tools.

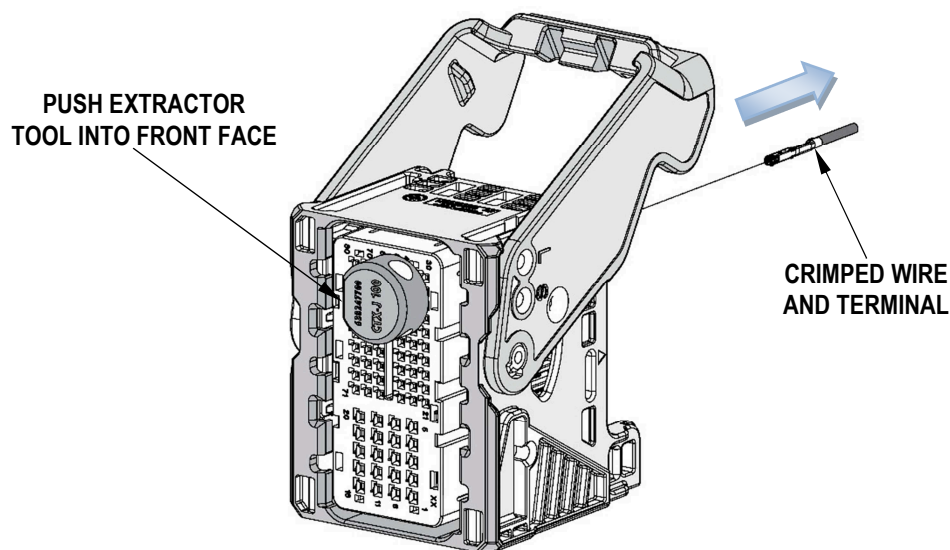


Figure 4

**Application Tooling Support**

Phone: (402) 458-TOOL (8665)  
E-Mail: [applicationtooling@molex.com](mailto:applicationtooling@molex.com)  
Website: [www.molex.com/applicationtooling](http://www.molex.com/applicationtooling)

Molex is a registered trademark of Molex, LLC in the United States of America and may be registered in other countries; all other trademarks listed herein belong to their respective owners.