

SERIES LP6 SWITCHES



ILLUMINATED PUSHBUTTON



FEATURES & BENEFITS

APPLICATIONS / MARKETS

Computer Servers/peripherals
Performance Audio
Instrumentation
Telecommunications/networking

MECHANICAL SPECIFICATIONS

Mechanical Life:	200,000 cycles
Force:	150 +/- 100 gf for SPST 200 +/- 100 gf for DPST
Travel:	2.20 +/- 0.2mm

ELECTRICAL SPECIFICATIONS

Electrical Life:	200,000 cycles
Contact Rating:	12mA @ 12VDC SPST and DPST
Contact Resistance:	50mΩ (initial max)
Insulation Resistance:	100MΩ (Min @ 500VDC)
Dielectric Strength:	500VAC

ENVIRONMENTAL SPECIFICATIONS

Operating Temperature:	-20°C to +70°C
Storage Temperature:	-20°C to +70°C

HOW TO ORDER:

SERIES
LP6

FUNCTION STYLE
OA = Momentary

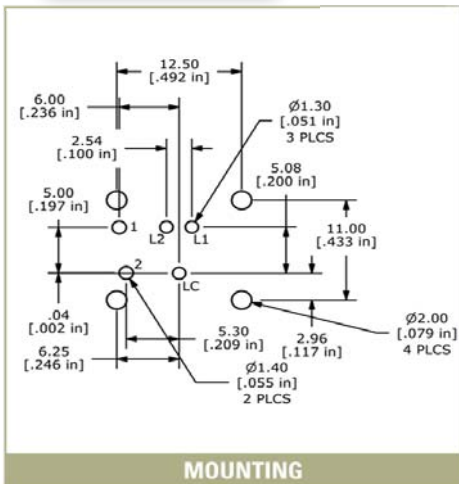
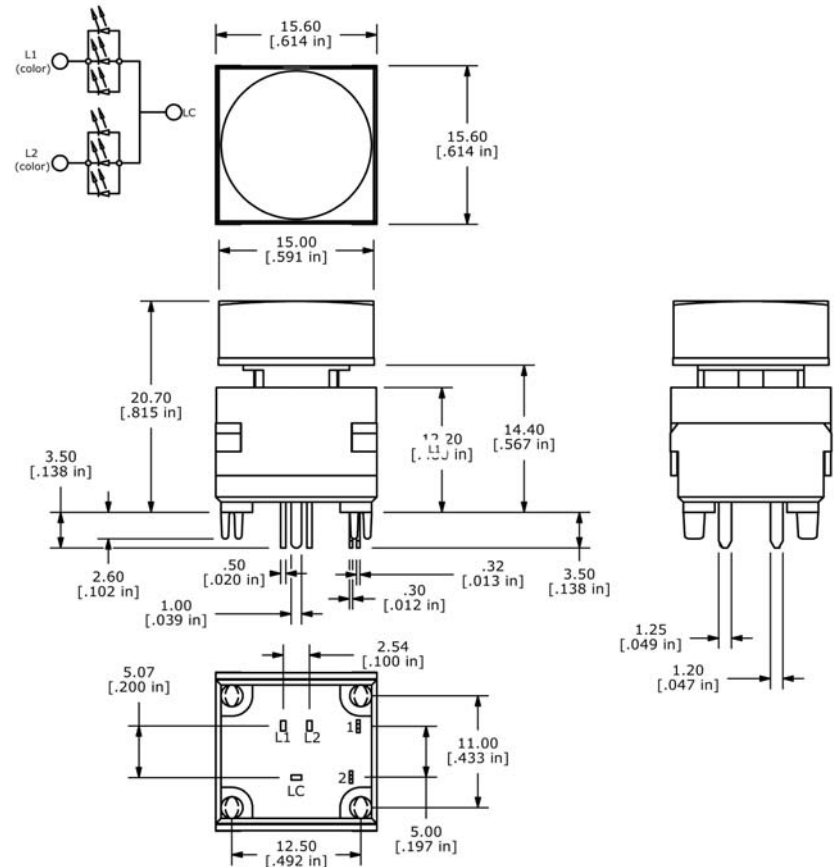
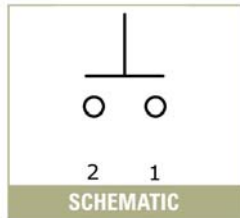
CIRCUIT
1 = SPST
2 = DPST

CAP SIZE
A = 15.5mm sq.

CAP CONFIGURATION
S = Sculptured

LED COLOR OPTIONS
RR = RED-RED
RG = RED-GRN
RY = RED-YEL
RB = RED-BLU
RW = RED-WHT
YY = YEL-YEL
YG = YEL-GRN
YB = YEL-BLU
YW = YEL-WHT
GG = GRN-GRN
GB = GRN-BLU
GW = GRN-WHT
BB = BLU-BLU
BW = BLU-WHT
WW = WHT-WHT

SPST



MOUNTING

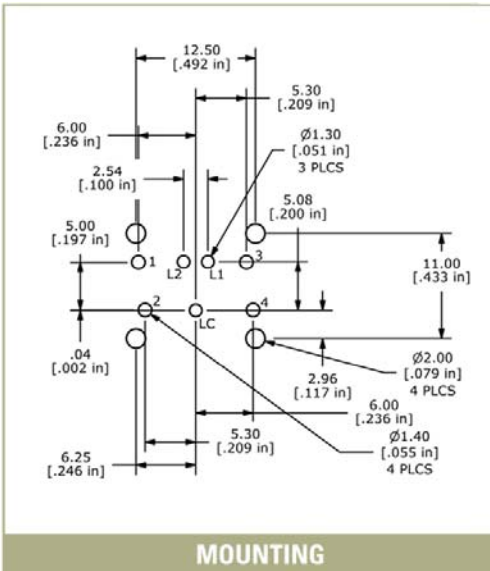
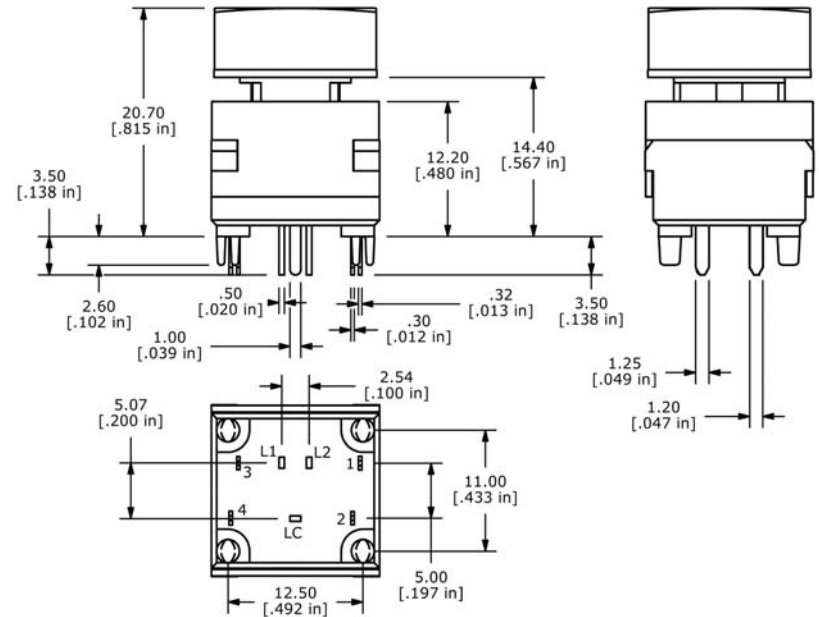
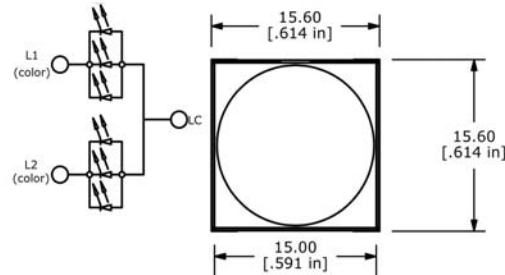
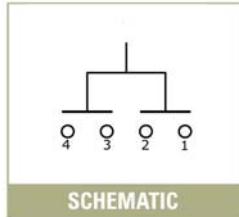
SERIES LP6 SWITCHES



E-SWITCH™

ILLUMINATED PUSHBUTTON

DPST



LED OPTIONS

LED Color	Blue	Red	Green	Yellow	White
Forward Current (mA)	25 mA TYP	25 mA TYP	25 mA TYP	25 mA TYP	25 mA TYP
Forward Voltage@20mA	3.3 VDC TYP	1.95 VDC TYP	2.0 VDC TYP	1.95 VDC TYP	3.2 VDC TYP
Luminous Intensity	585 mcd TYP	77 mcd TYP	412 mcd TYP	232 mcd TYP	78.5 mcd TYP