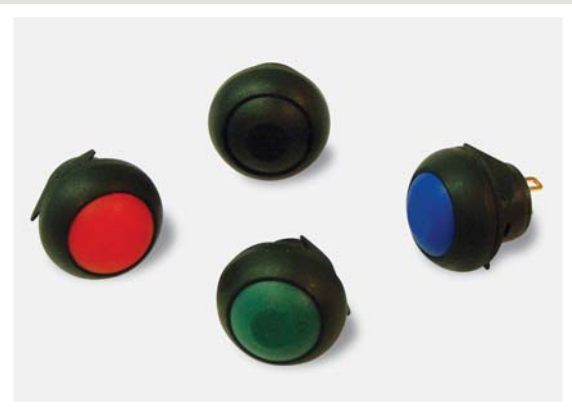


# SERIES RP8100 SWITCHES

## PUSHBUTTON SWITCHES - ROUND ILLUMINATED



### SPECIFICATIONS

Contact Rating: 125mA @ 125 VAC  
100mA @ 50 VDC

Life Expectancy (Electrical): 500,000 cycles at full load

Contact Resistance: 50 mΩ max (initial)

Insulation Resistance: 1,000 MΩ min. @ 500VDC

Dielectric Strength: 1,000 VAC rms.

Operating Force: 300 gf ±100 gf

Operating Temperature: -30°C to +85°C

Contact Bounce: 10ms MAX

Travel: 1.5mm

### FEATURES & BENEFITS

- ▶ Threaded or snap in panel mount
- ▶ Extended Operating life -500k cycles
- ▶ LED illuminated option
- ▶ Sealed to IP65

### APPLICATIONS/MARKETS

- ▶ Telecommunications
- ▶ Audio
- ▶ Appliance
- ▶ Instrumentation
- ▶ Consumer Electronics

### MATERIALS

Housing: Nylon

Button: Nylon

Terminal Case: Thermo plastic

Terminals: Copper alloy, plated

Contact: Copper alloy, plated

### HOW TO ORDER

SERIES	MODEL NO.	BUSHING	TERMINATION	CONTACT MATERIAL	SEAL	HOUSING COLOR	CAP COLOR	LED COLOR
RP	8100	B1 = Snap In B2 = Threaded (12 x .75)	M1 (Std)	C = Gold over silver	E = Epoxy (Std)	BLK = Black (Std)	WHT= White BLK = Black RED = Red ORG = Orange YEL = Yellow GRN = Green BLU = Blue BRW = Brown GRY = Gray	WHT= White RED = Red YEL = Yellow GRN = Green BLU = Blue NIL = Non ILL.

### Example Ordering Number

RP-8100-B1-M1-C-E-BLK-RED-RED

Specifications subject to change without notice.

TACT SWITCHES

NAVIGATION SWITCHES

PUSHBUTTON SWITCHES

TOGGLE SWITCHES

ROCKER SWITCHES

SLIDE SWITCHES

SNAP-ACTION SWITCHES

DIP SWITCHES

KEYLOCK SWITCHES

ROTARY SWITCHES

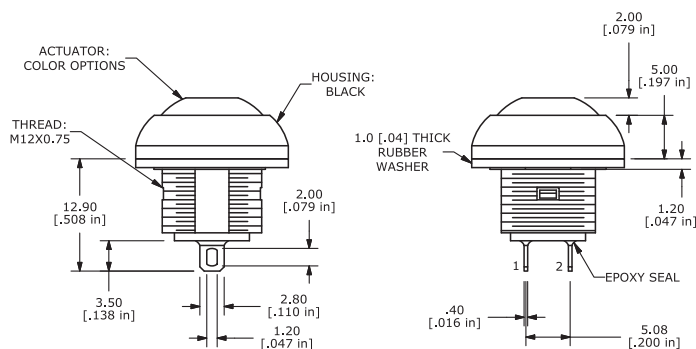
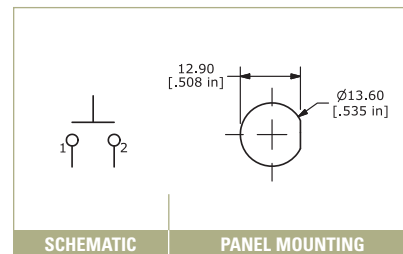
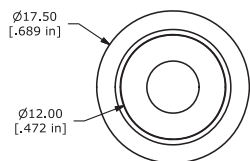
DETECTOR SWITCHES

CAP OPTIONS



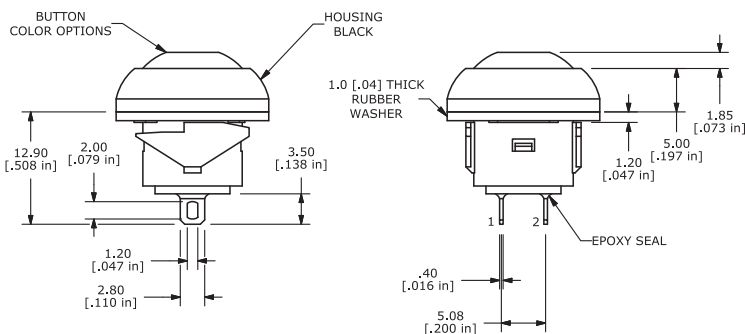
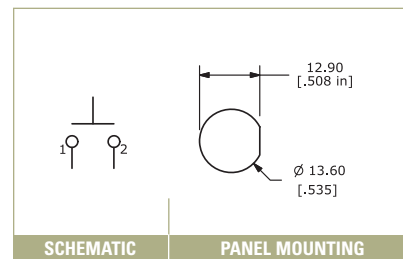
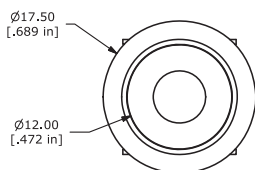
# RP 8100

## THREADED



# RP 8100

## SNAP-IN



TACT SWITCHES

NAVIGATION SWITCHES

PUSHBUTTON SWITCHES

TOGGLE SWITCHES

ROCKER SWITCHES

SLIDE SWITCHES

SNAP-ACTION SWITCHES

DIP SWITCHES

KEYLOCK SWITCHES

ROTARY SWITCHES

DETECTOR SWITCHES

CAP OPTIONS



# SERIES RP8100 SWITCHES

## PUSHBUTTON SWITCHES - ILLUMINATED

TACT  
SWITCHES

NAVIGATION  
SWITCHES

PUSHBUTTON  
SWITCHES

TOGGLE  
SWITCHES

ROCKER  
SWITCHES

SLIDE  
SWITCHES

SNAP-ACTION  
SWITCHES

DIP  
SWITCHES

KEYLOCK  
SWITCHES

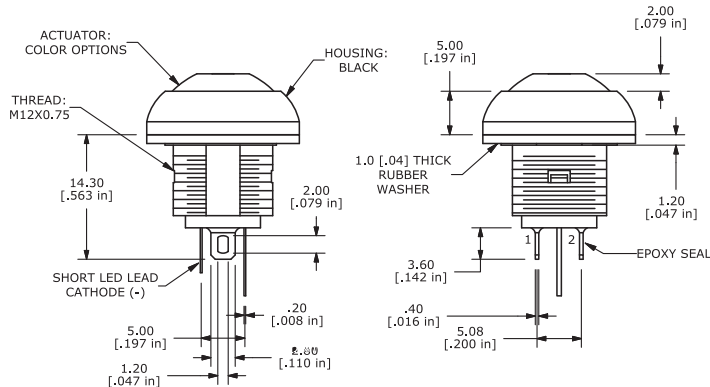
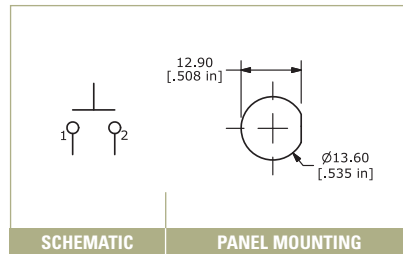
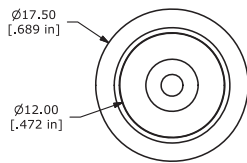
ROTARY  
SWITCHES

DETECTOR  
SWITCHES

CAP  
OPTIONS

### RP 8100

#### LED THREADED



### RP 8100

#### LED SNAP-IN

