

NEW



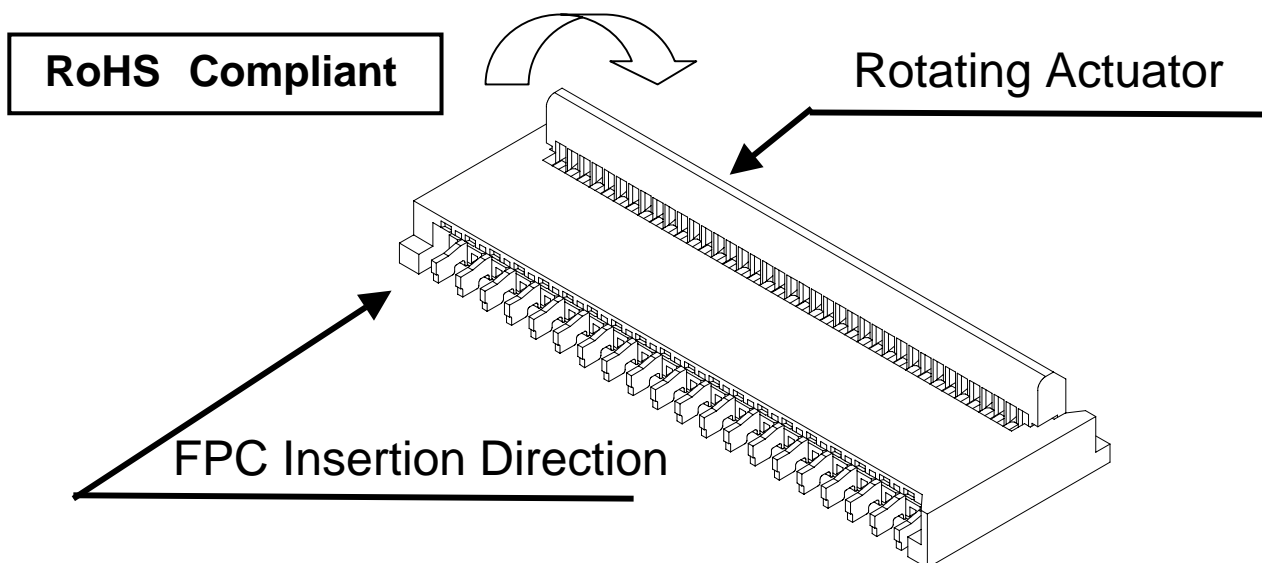
0.3mm Pitch Upper Contact One-touch connector for FPC

CONNECTOR

MB-0154-1

FB8 Series

November 2006



< Outline >

The FB8 Series are upper contact 0.3-mm pitch one-touch FPC connectors for compact and small information communication devices such as, mobile PCs, PDAs, LCDs and mobile phones.

Features

- Upper surface contact 0.3 mm pitch one touch FPC connector
- Easy actuator operation due to rotation mechanism
- Supply of SMT type for automatic mounting with embossed tape
- Connector with 4.3mm depth (when placed to board) and 1.2 mm height
Longitudinal $0.3(N-1)+1.6$ mm, low profile product
(N= Number of positions)
- Contact with solder wicking countermeasure

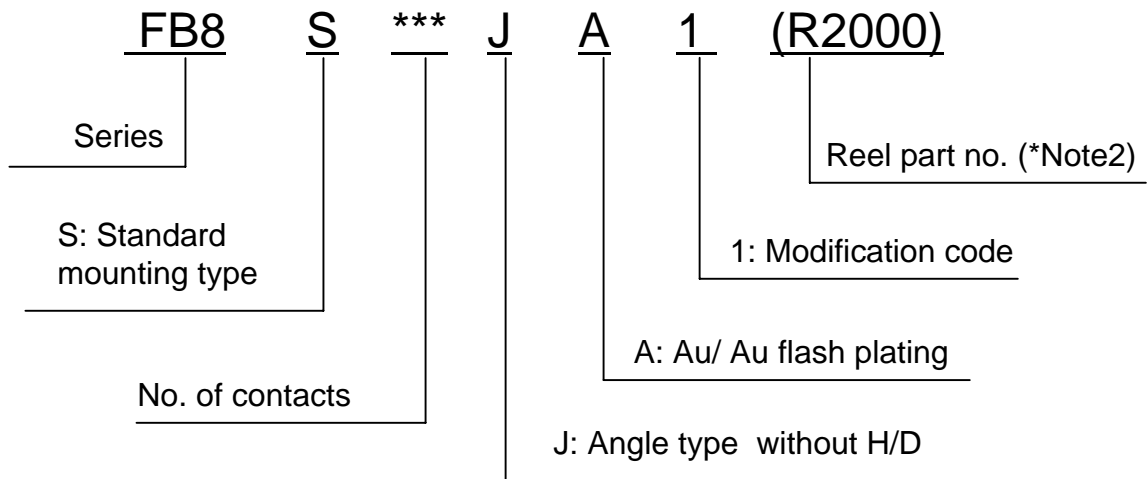
General Specification

- | | |
|--|--|
| ■ No. of contacts : 17, 23, 25, 29, 31, 33, 35, 39, 41, 45, 51 pos. | ■ Rated current: 0.35A per pos. |
| Contact resistance: 20m ohm max. | ■ Rated voltage: AC, DC 50V per pos. |
| ■ Dielectric withstanding voltage : DC250V per minute | ■ Insulation resistance: 100M ohm min. |
| ■ Operating temperature: -40 Deg. C to +85 Deg. C | ■ Contact pitch: 0.3mm staggered pitch |
| ■ Durability: 20 times | ■ Applicable FPC: 0.3 mm pitch thickness 0.2 ± 0.03 with lining |

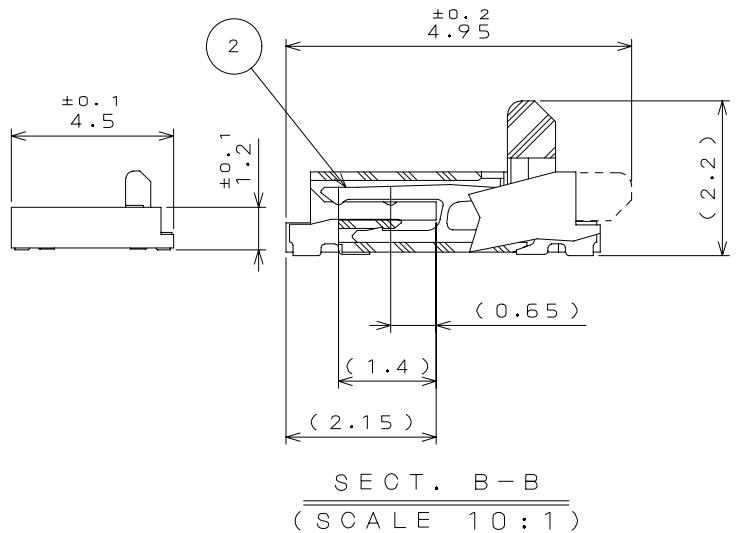
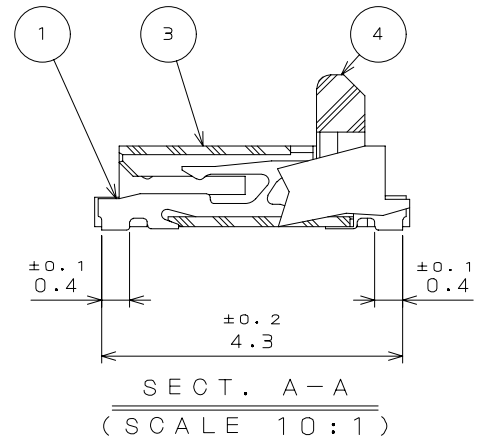
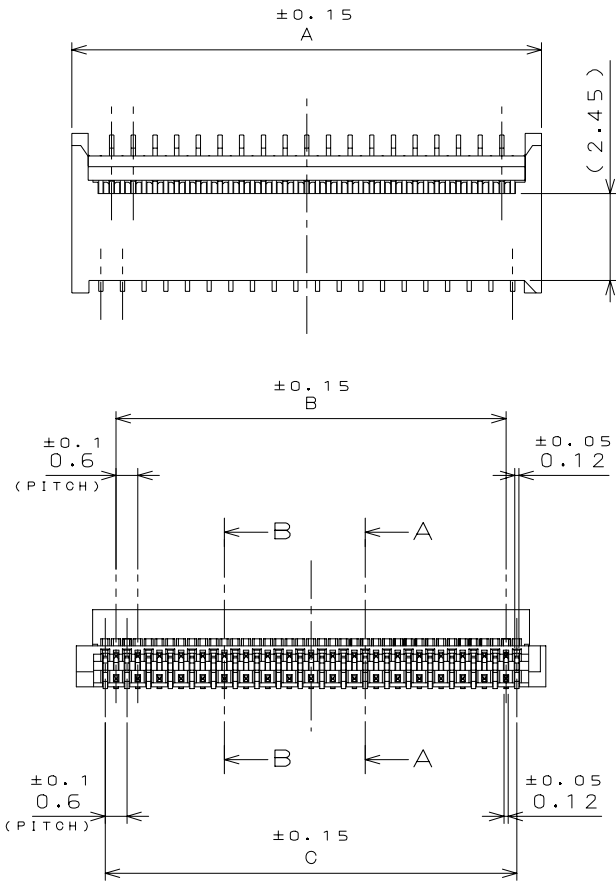
Materials and Finishes

| Components | Materials / Finishes |
|----------------|--|
| Contact | Copper alloy / Contact area: Au plating Terminal area: Au flash plating |
| Base Insulator | Synthetic resin / No (UL94V-0) |
| Actuator | Synthetic resin / No (UL94V-0) |

Ordering Information



| | |
|-------------|------------|
| Part Number | SJ Drawing |
| FB8S***JA1 | SJ106679 |



Unit: mm

TABLE 1

| No. of Contacts | A | B | C |
|-----------------|------|------|------|
| 17 | 6.4 | 4.2 | 4.8 |
| 23 | 8.2 | 6.0 | 6.6 |
| 25 | 8.8 | 6.6 | 7.2 |
| 29 | 10.0 | 7.8 | 8.4 |
| 31 | 10.6 | 8.4 | 9.0 |
| 33 | 11.2 | 9.0 | 9.6 |
| 35 | 11.8 | 9.6 | 10.2 |
| 39 | 13.0 | 10.8 | 11.4 |
| 41 | 13.6 | 11.4 | 12.0 |
| 45 | 14.8 | 12.6 | 13.2 |
| 51 | 16.6 | 14.4 | 15.0 |

