

NEW



microSD™ Memory Card Connector

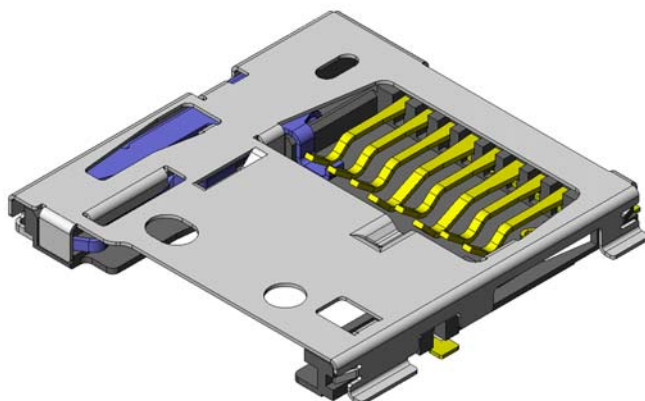
CONNECTOR

MB-0155-1

September 2006

ST4 Series

RoHS Compliant



< Outline >

The ST4 Series are one-piece type external connectors for microSD™ card.

High density SMT mounting type low profile connector compatible with microSD™ cards, standardized by SDA™ (SD Card Association) as a compact card for various portable devices.

* microSD™ is a trademark of SD Card Association.

Features

- Push-push structure reverse mounting type connector for microSD™ memory cards with 1mm push stroke and 3mm card eject length.
- With a countermeasure to prevent the card from popping out.
- Shield characteristic is secured by the 4 ground connection points.
- Compact slim design with 1.85mm height, 16.5mm depth and 15.8mm width (depth including card: 18.8mm)
- Card insertion detection structure (D-SW)
- Ensured ejection of card with metallic eject bar

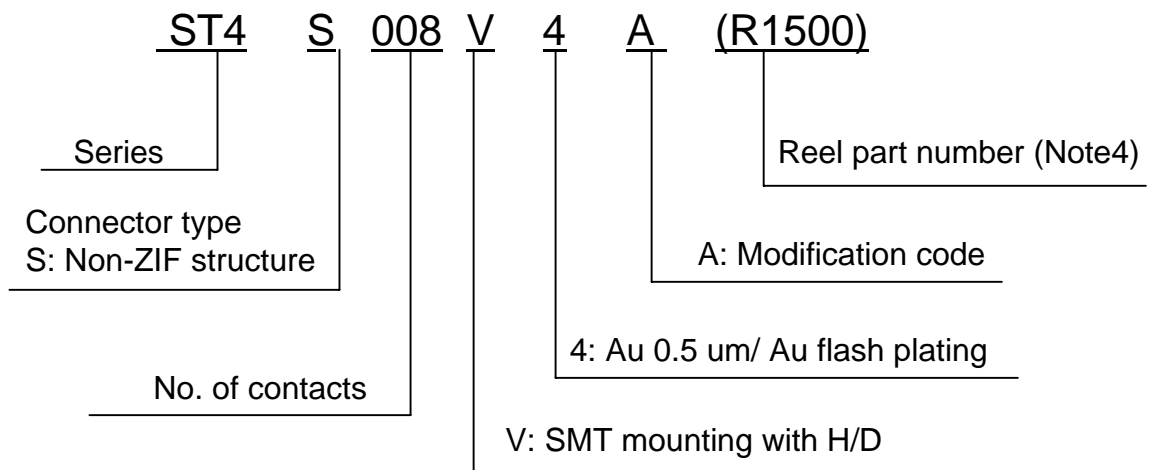
General Specifications

- | | |
|----------------------------------------------------------------|-----------------------------------------|
| ■ No. of contacts : 8 pos.+2pos. (D-SW) | ■ Rated current: 0.5A/ per pin |
| ■ Contact resistance: 100m ohm max. | ■ Rated voltage: 10V/ per pin |
| ■ Dielectric withstanding voltage :
AC500Vr.m.s. per minute | ■ Insulation resistance: 1000M ohm min. |
| ■ Operating temperature:
-25 Deg. C to +85 Deg. C | ■ Lifetime: 10,000 times |
| ■ Storage temperature:
-10 Deg. C to +60 Deg. C | ■ Temperature rise: 30 Deg. C rise max. |

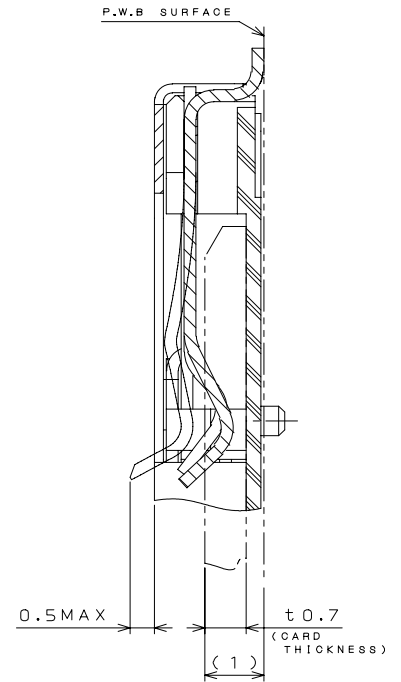
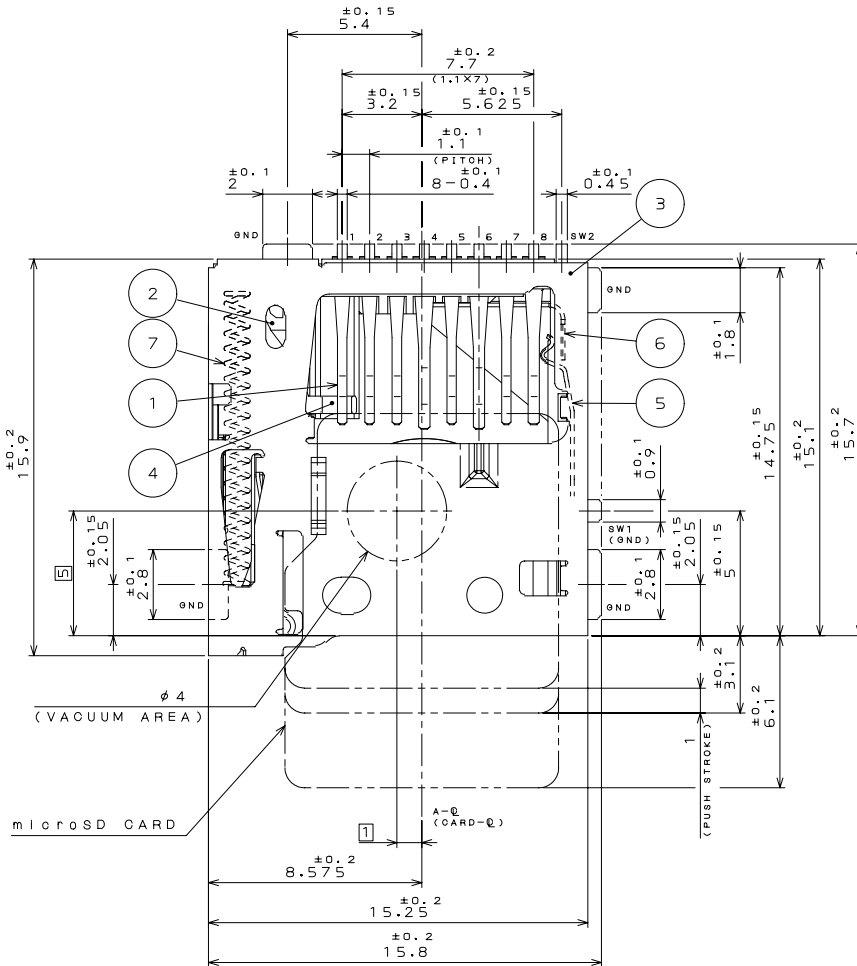
Materials and Finishes

Components	Materials /Finishes
Signal contact	Copper Alloy/ Contact: 0.5um min. Au plating over Ni Terminal: Au flash plating over Ni
Housing	Synthetic resin/ No (UL94V-0)
Cover frame	Stainless steel/ terminal area: Au flash plating over Ni
Eject bar	Stainless steel/ none
Spring	Piano wire/ Ni plating
D-SW contact	Plating: Compliant to finish of signal contact

Ordering Information



Part Number	SJ Drawing
ST4S008V4A	SJ106894



SECTION: A-A
Scale (free)

Unit: mm

TABLE 1. CIRCUIT (REF.)

	WITHOUT CARD	CARD INSERTED
DETECTION SWITCH		

