



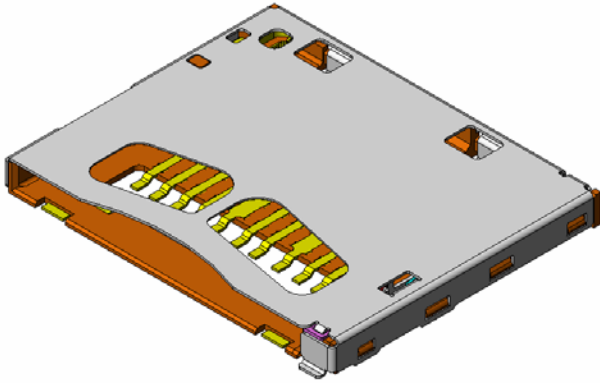
miniSD™ Memory Card Connector

CONNECTOR

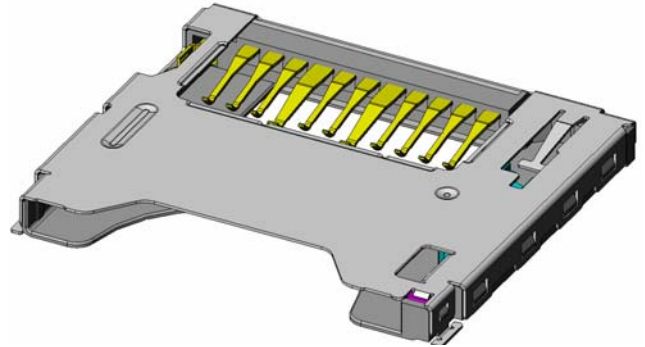
MB-0135-1

September 2005

## SC2 Series



Standard mounting type



Reverse mounting type

< Outline >

The SC2 series is a one-piece type connector for outer terminal of miniSD card. High density SMT mounting, low profile type connector compatible with miniSD™ card, standardized by the SDA™ (SD CARD Association) as a small card for compact portable devices.

\* mIniSD™ is a trademark of SD Card Association.

### Features

- **Structure preventing falling off of card (rubber stopper structure)**
- Push-push structure connector for miniSD cards.
- Well-balanced shield characteristic ensured by four H/D connection points.
- Pb-free products (RoHS directive)
- With lock for maintenance of card
- With card insertion detection switch (D-SW)
- Contact for power with live-insertion structure and intermittent discontinuity countermeasure.

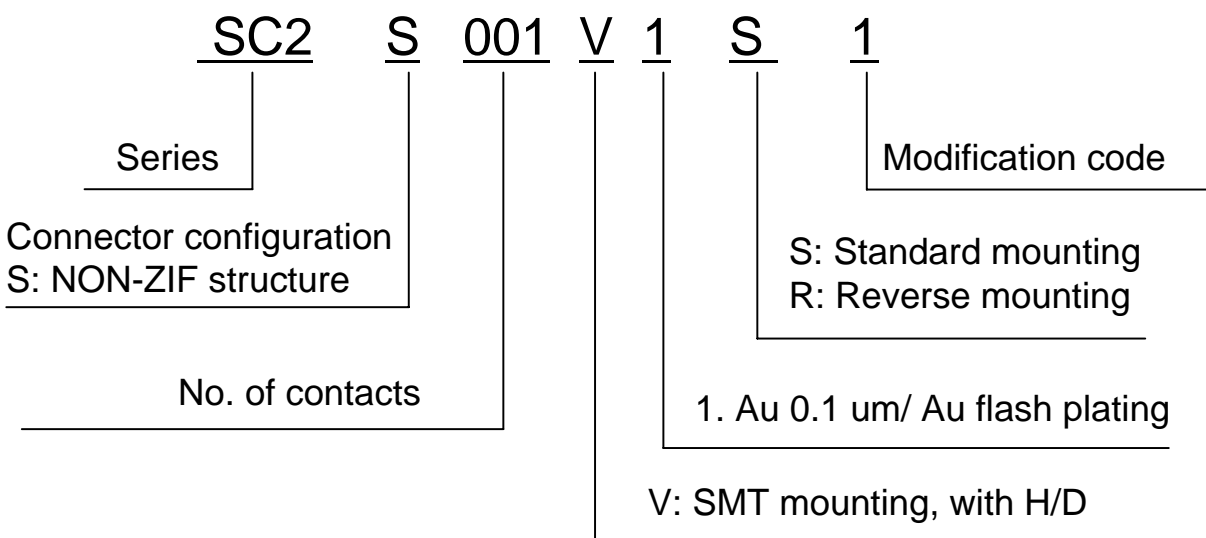
### General Specifications

- |  |   |
|--|---|
| ■ No. of contacts :11 pos.                               | ■ Rated current: 0.5A/ per pin          |
| ■ Contact resistance: 100m ohm max.                      | ■ Rated voltage: 3.3V/ per pin          |
| ■ Dielectric withstanding voltage :<br>AC500V per minute | ■ Insulation resistance: 1000M ohm min. |
| ■ Operating temperature:<br>-25 Deg. C to +85 Deg. C     | ■ Lifetime: 10,000 times                |
| ■ Storage temperature:<br>-10 Deg. C to +60 Deg. C       |   |

Materials and Finishes

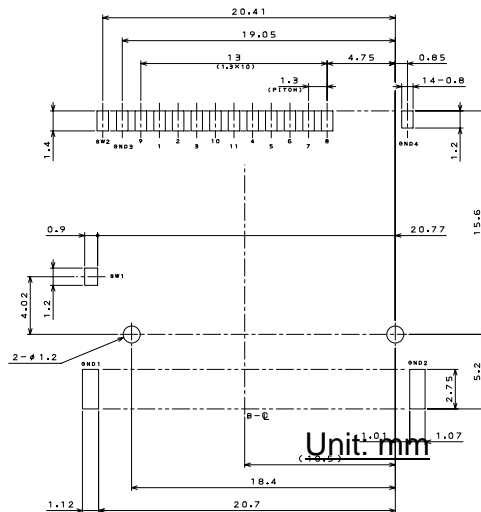
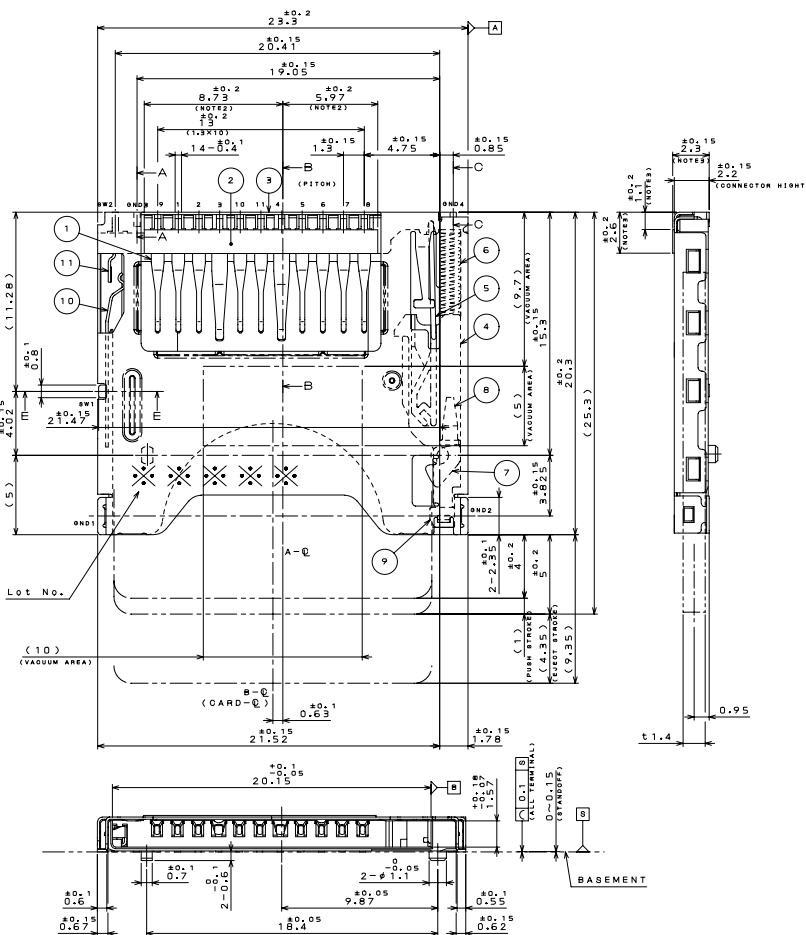
Components	Materials /Finishes
Contact	Copper alloy/ Contact portion: Au plating over Ni Terminal portion: Au flash plating over Ni
Housing	Synthetic resin UL94V-0
Cover frame	Stainless steel connection area Au palting over Ni
Eject plate(bar)	Stainless steel (standard mounting type) Glass filled nylon (reverse mounting type)
Cam follower	Stainless steel
D-SW	Phosphor bronze/ Au plating over Ni
Coil spring	Piano wire/ Ni or zinc plating
Brake	Heat resistant rubber
Lock	Stainless steel, glass filled nylon (reverse mounting type)

Ordering Information





Part Number	SJ Drawing
SC2S011V1R1	SJ102800



Applicable P.C.B dimension  
(for reference)

TABLE 1. CIRCUIT (REF.)

	WITHOUT CARD	CARD INSERTED
DETECTION SWITCH		

Note1. The thickness of reinforcement board is 0.6min. , when the product is mounted on FPC.

Note2. Circuit (Table1.) (for reference)

Note3. Dimensions show connector height 2.3mm area.

Note4. The tip of contacts will stick out of the cover frame in case a card with maximum thickness or warpage is inserted.  
Dimensions show protrusion area and height.

Note 5. An embossed tape reel contains 500 pieces.  
Please contact us for details on embossed tape specifications.

**Notice:** Products shown in this leaflet are made for the applications listed below. However, if the above-mentioned products are to be used in aerospace devices, marine cable-connection devices, atomic power control systems, medical equipment for life-support systems, or any other specific application requiring extremely high reliability, please contact JAE for further information.  
Recommended applications: computers, office machines, measuring devices, telecommunication devices (terminals, mobile devices), AV devices, household applications, FA devices, etc.