

**NEW**



Board to Cable Connector Compatible to  
High-Speed Differential Transmission

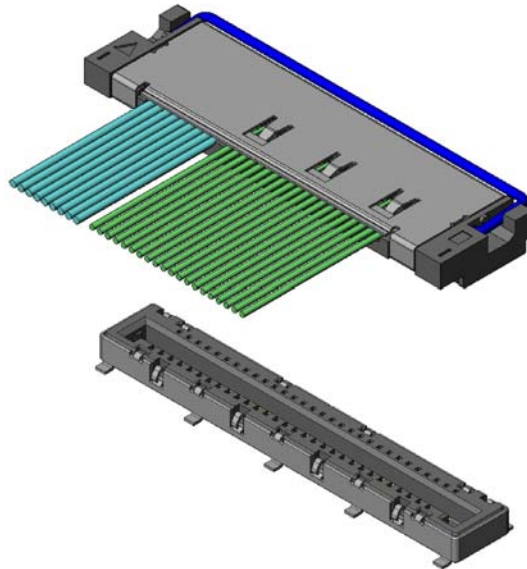
CONNECTOR

MB-0162-1

October 2006

# FI-G Series

**RoHS Compliant**



FI-G series is a high speed differential transmission connector for LCD panel connection.

## Features

- Terminal pitch: 0.5mm, Connector height: 2.4mm, suitable for handheld devices.
- High speed transmission area of cable is compatible to fine coaxial wire(AWG#40 to 42)
- Ground performance is enhanced by the shell to shell/ shell to board multipoint connection established to improve EMI characteristics.
- With pull bar for easy connector removal

## General Specifications

- No. of contacts: 30pos.
- Contact resistance: 60m ohm max.
- Dielectric withstanding voltage: 500 V r.m.s. per minute
- Insulation resistance: 100M ohm min.
- Operating temperature: -40 Deg. C to +80 Deg. C
- Rated current: 0.5A per contact
- Life time: 30 times
- Applicable cable: Contact No. 20 to 30(for signal) Coaxial (AWG#40 or #42)  
Contact No.1 to 20(for power and other use) Discrete wire(AWG#32 or #36)

## Materials and Finishes

### Board side connector

FI-G30S-VF25, FI-G30S-VF25-R3000 (Board side connector)

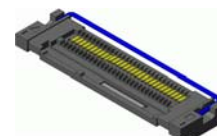
Components	Materials and Finishes
Contact	Copper alloy/ Contact area Au, SMT Terminal area Sn plating
Insulator	Heat resistant plastic/ None
Shell	Stainless steel/ Sn plating
Adsorption tape	Heat resistant tape/ None



### Cable side connector

FI-G30C2 (Cable side connector)

Components	Materials and Finishes
Contact 1	Copper alloy/ Contact area: 0.1 um Au plating over Ni Terminal area: Sn plating over Ni
Contact 2	Copper alloy/ Contact area: 0.1 um Au plating over Ni Terminal area: Sn plating over Ni
Insulator	Heat resistant plastic/ None
Shell	Stainless steel/ Sn plating
Pull lever	Heat resistant tape/ None



FI-G30C2-SH-B2-8000 (Slide shell for soldering type)

Components	Materials and Finishes
Slide shell	Stainless steel/ Sn plating

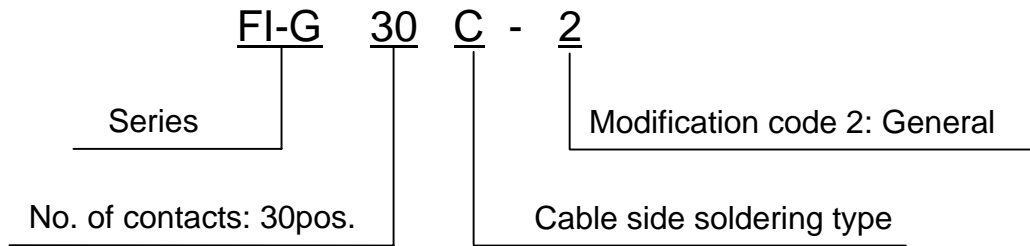




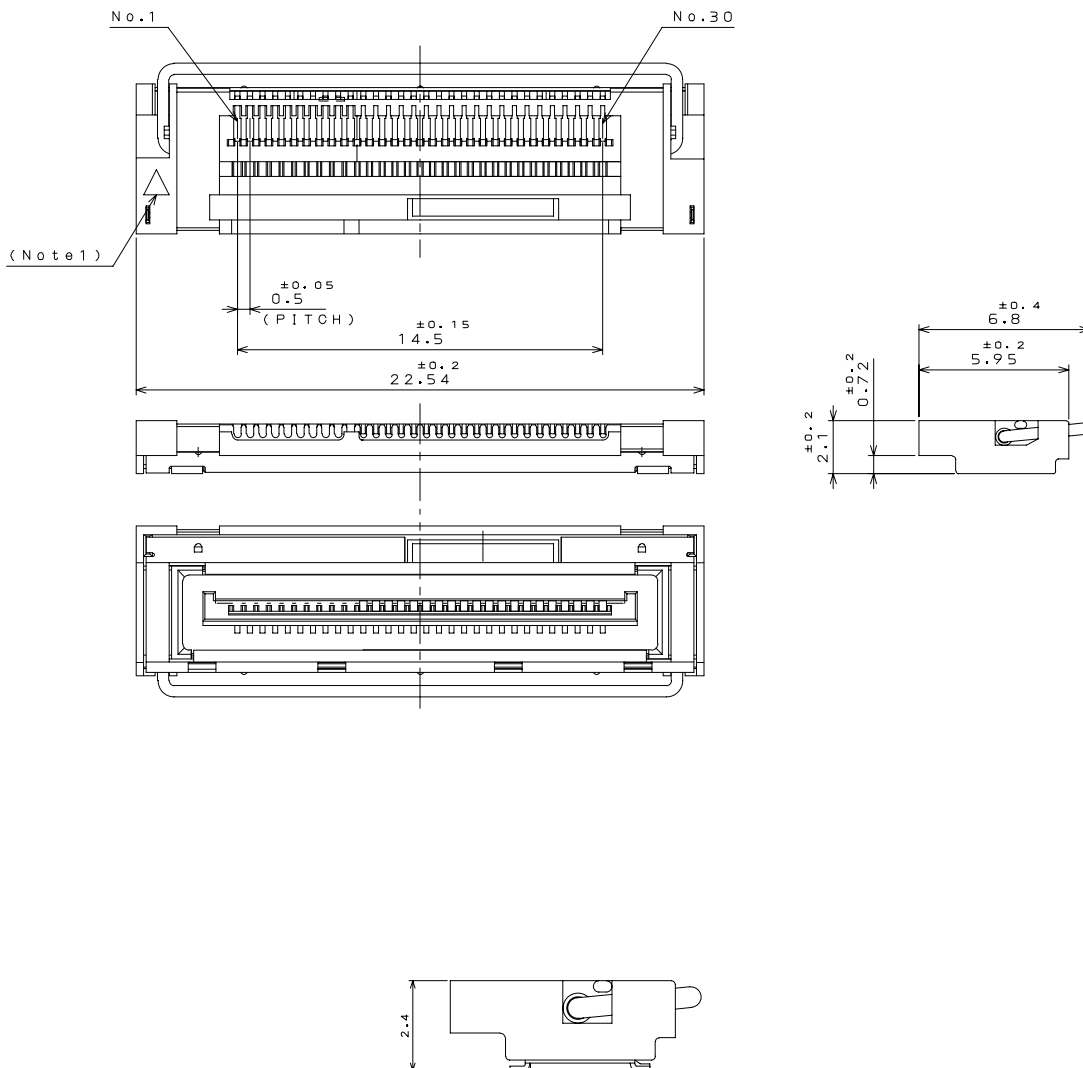


Ordering Information

Cable side connector  
Individual product (SJ104300)



Unit: mm



Drawing when mated (for reference)

Ordering Information

**Cable side slide shell  
Magazine (SJ104301)**

**FI-G 30 C - 2 - SH - B2 - 8000**

Series

No. of contacts: 30pos.

Cable side soldering type

Modification code 2: General

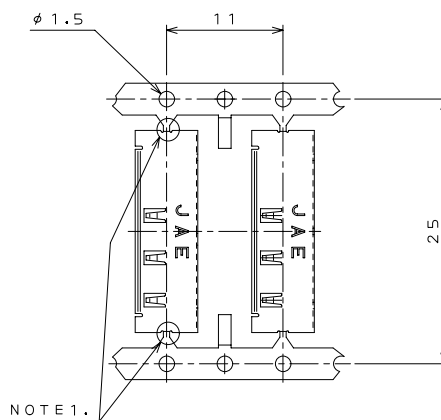
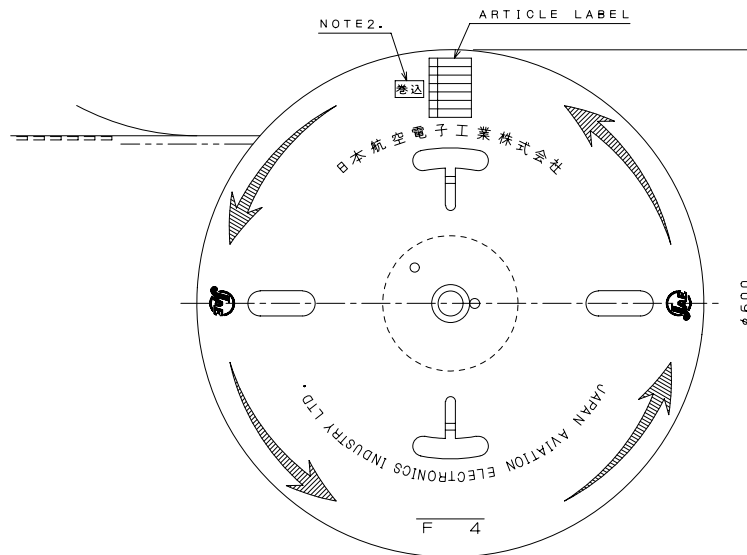
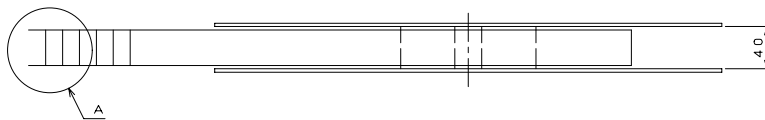
8000 pcs.

Modification code 2: General

Slide shell



Unit: mm



SECT. A-A  
(SCALE 2:1)

---

---

Related Document No.
----------------------

• Specification(JACS): JACS-10288

## **Japan Aviation Electronics Industry, Limited**

Product Marketing Division  
Aobadai Building, 3-1-19, Aobadai, Meguro-ku, Tokyo 153-8539  
Phone: +81-3-3780-2787 FAX: +81-3-3780-2946

**Notice:** Products shown in this leaflet are made for the applications listed below. However, if the above-mentioned products are to be used in aerospace devices, marine cable-connection devices, atomic power control systems, medical equipment for life-support systems, and any other specific application requiring extremely high reliability, please contact JAE for further information.

Recommended applications: Computers, Office machines, Measuring devices, Telecommunication devices (Terminals, Mobile devices), AV devices, Household applications, FA devices, etc.