



DD4 Series

Low Profile High-Speed Docking Connector

Connector Training Module

Application Examples

- Laptops
- Tablets
- Other various hand-held devices



DD4 Series Features

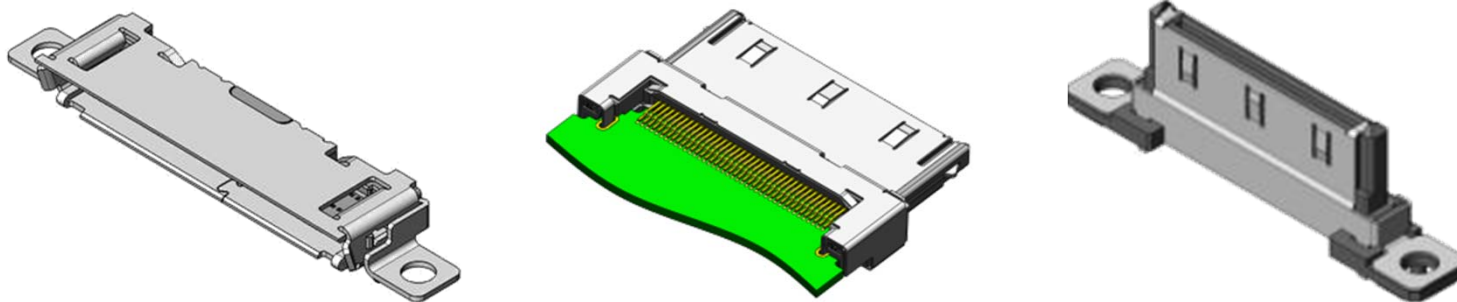
High-speed & Low-profile

- Transmits high-speed signals such as USB 3.0, DisplayPort™, and SATA Gen2.
- Low-profile mounted height of 2.8mm to comply with the demand for slim devices.
- Equipped with a guide rail on the shell to enhance connector strength against side to side twisting forces when mating and un-mating.
- Dedicated power contacts protrude further than other contacts so they will be the first to mate and last to break. This allows for hot plugging.
- Available on embossed tape for automatic mounting.



General Specifications

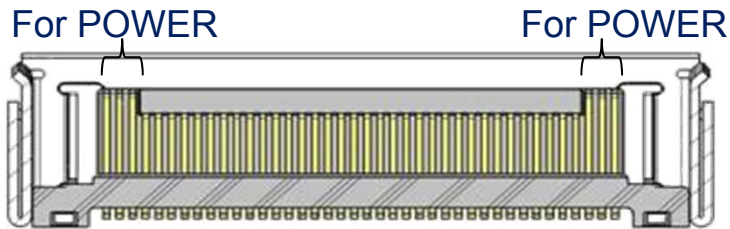
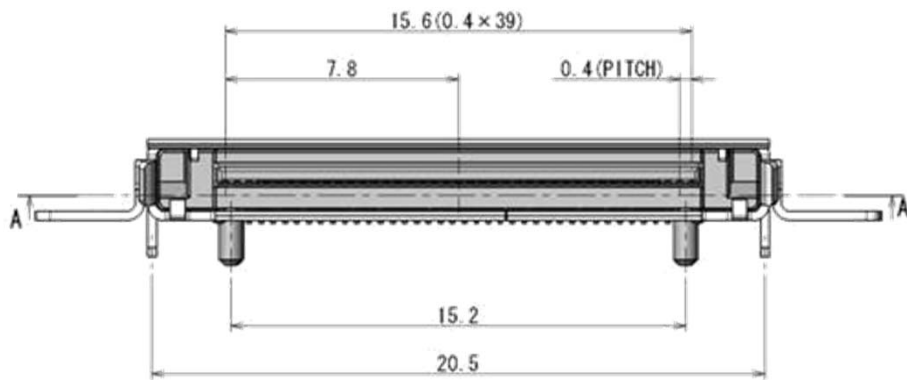
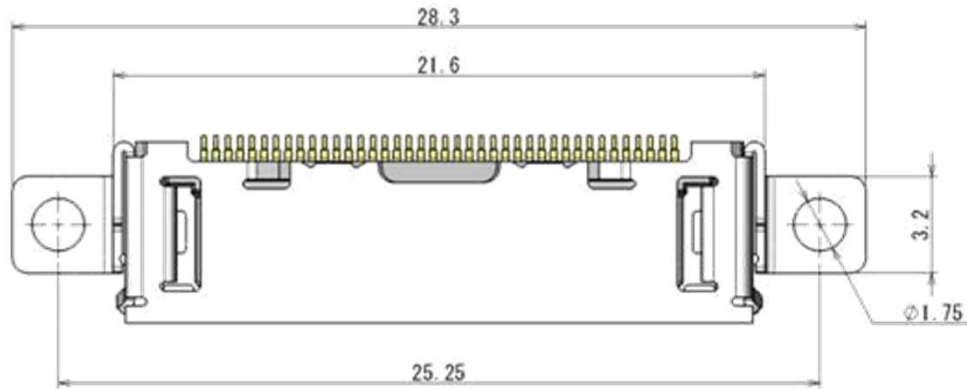
Number of contacts	40 positions
Contact resistance	50m Ω max. (initial)
Insulation Resistance	100m Ω min. (initial)
Rated Current	0.1 A / 1 pos. (signal) 1.1 A / 1 pos. (power)
Dielectric Withstanding Voltage	AC 300 Vr.m.s (for 1 minute)
Operating Temperature	-25 °C to +75 °C
Mating Durability	5,000 cycles



Dimensions

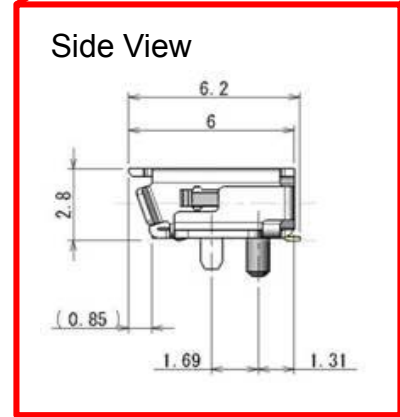
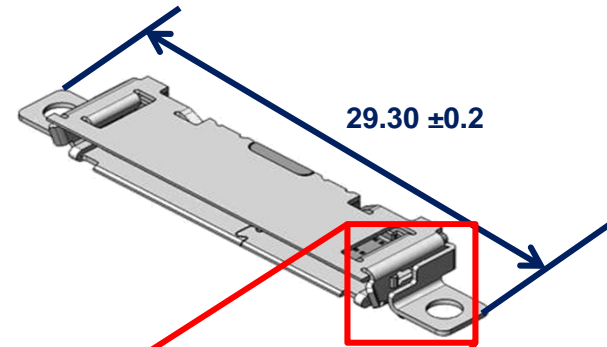
Receptacle

Unit: mm



A-A

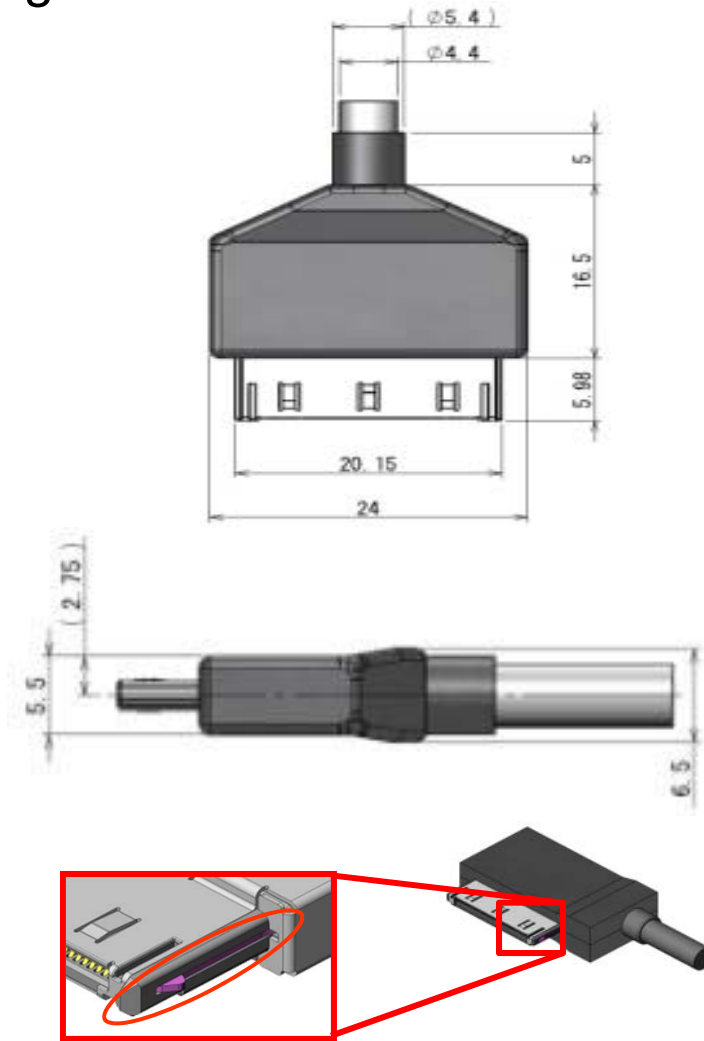
Grounding Mechanisms	
Through-hole hold-downs	4
Screw hold-downs	2



Dimensions

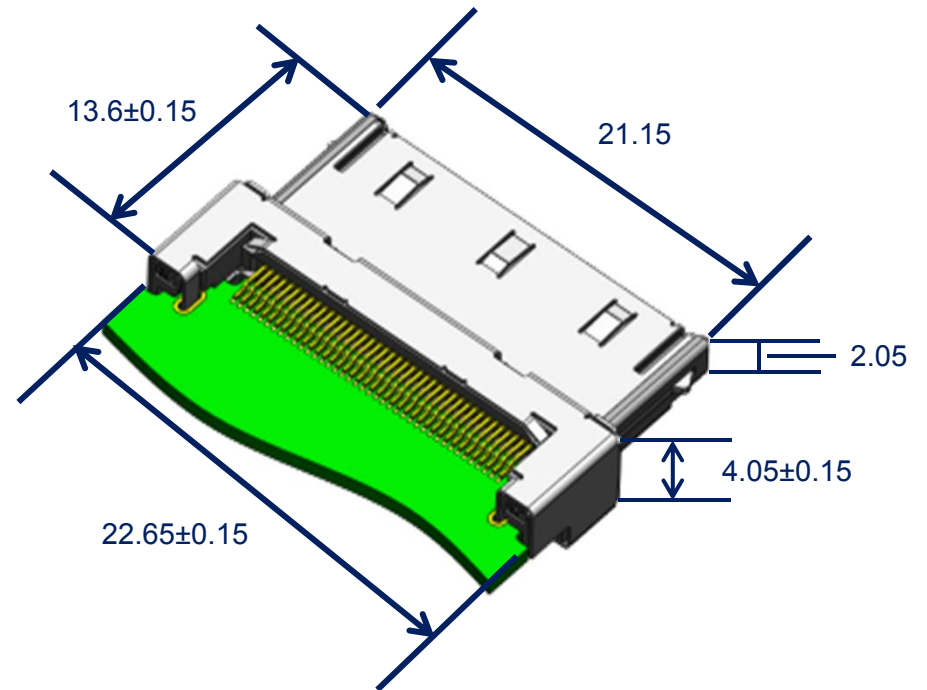
Plug

Unit: mm



Lock Spring feature located on both sides.

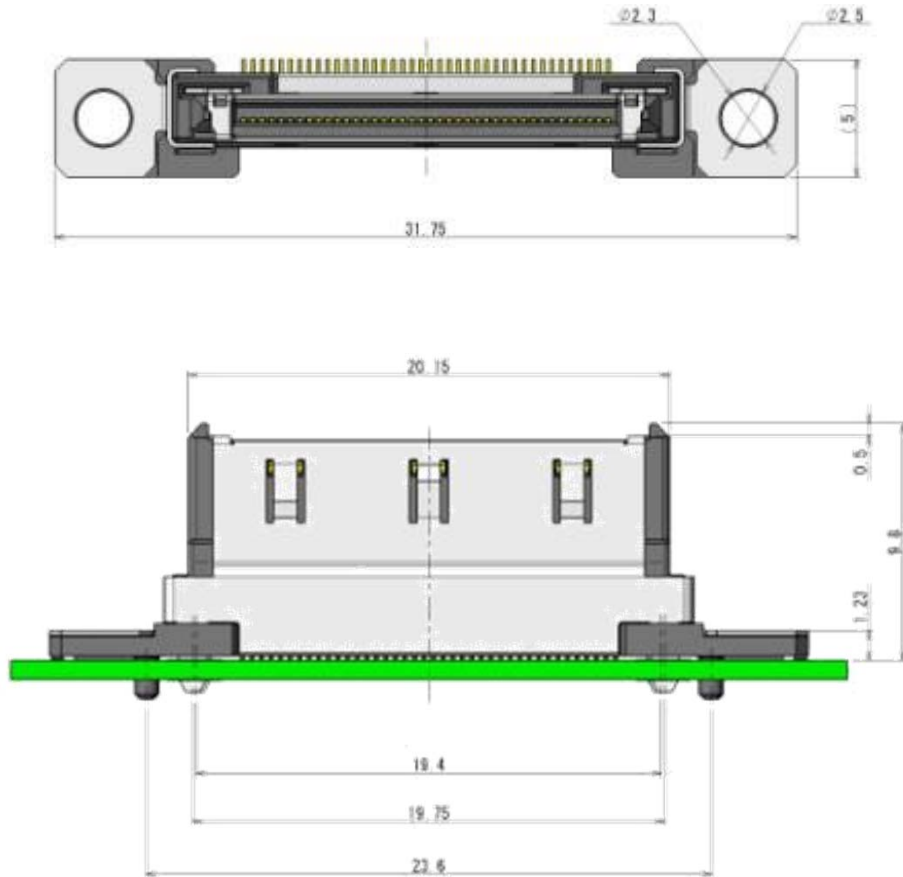
Grounding Mechanisms	
Hold-downs	2



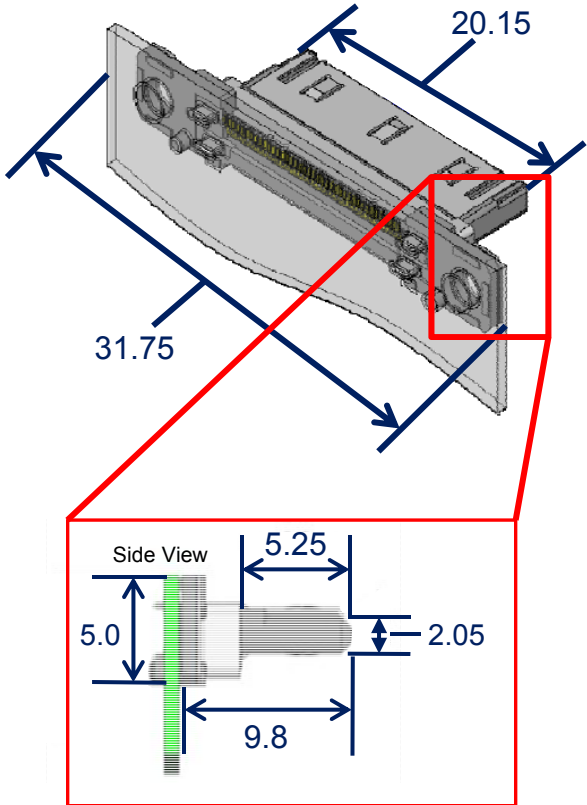
Dimensions

Cradle

Unit: mm



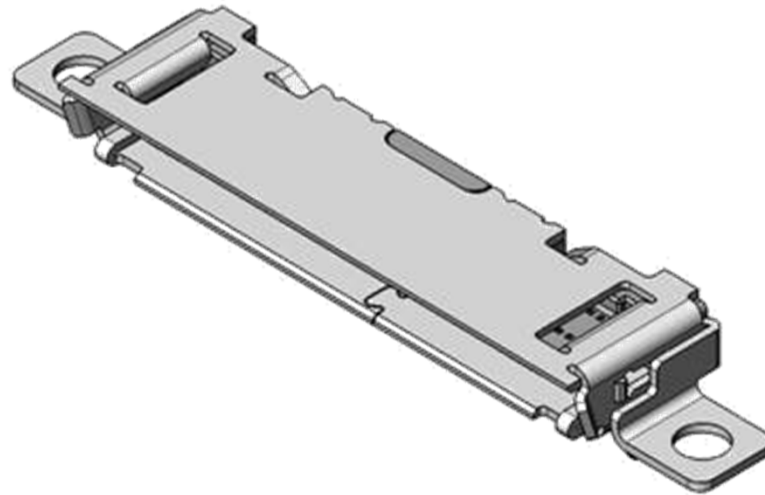
Grounding Mechanisms	
Through-hole hold-downs	4
Screw hold-downs	2



Material and Finishes

Receptacle

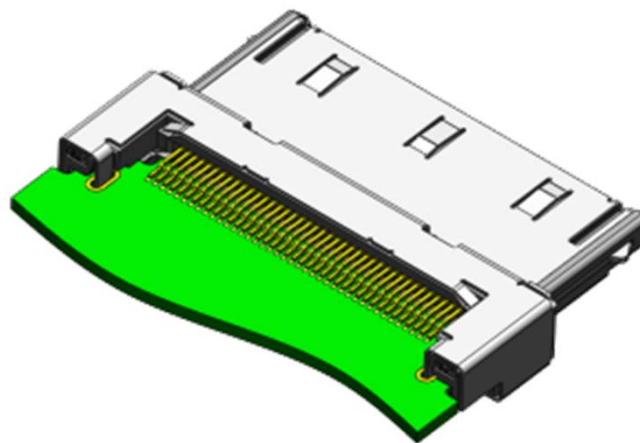
Component	Material and Finish
Shell	Stainless-steel / Ni plating
Insulator	Synthetic resin
Contact	Contact area: Copper alloy / Au plating over Ni Terminal area: Copper alloy / Au flash plating over Ni



Material and Finishes

Plug

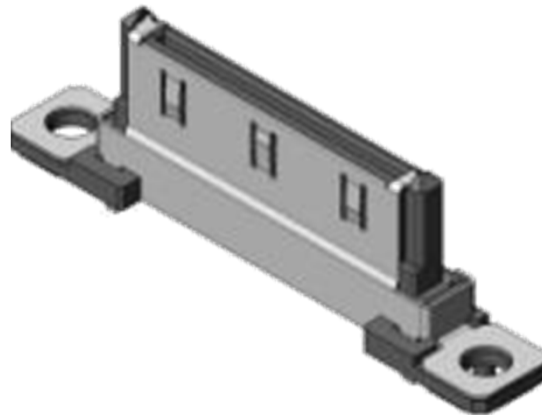
Component	Material and Finish
Shell	Stainless-steel / Ni plating
Lock Spring	Stainless-steel
Inner Insulator	Synthetic resin
Base Insulator	Synthetic resin
Contact	Contact area: Copper alloy / Au plating over Ni Terminal area: Copper alloy / Au flash plating over Ni



Material and Finishes

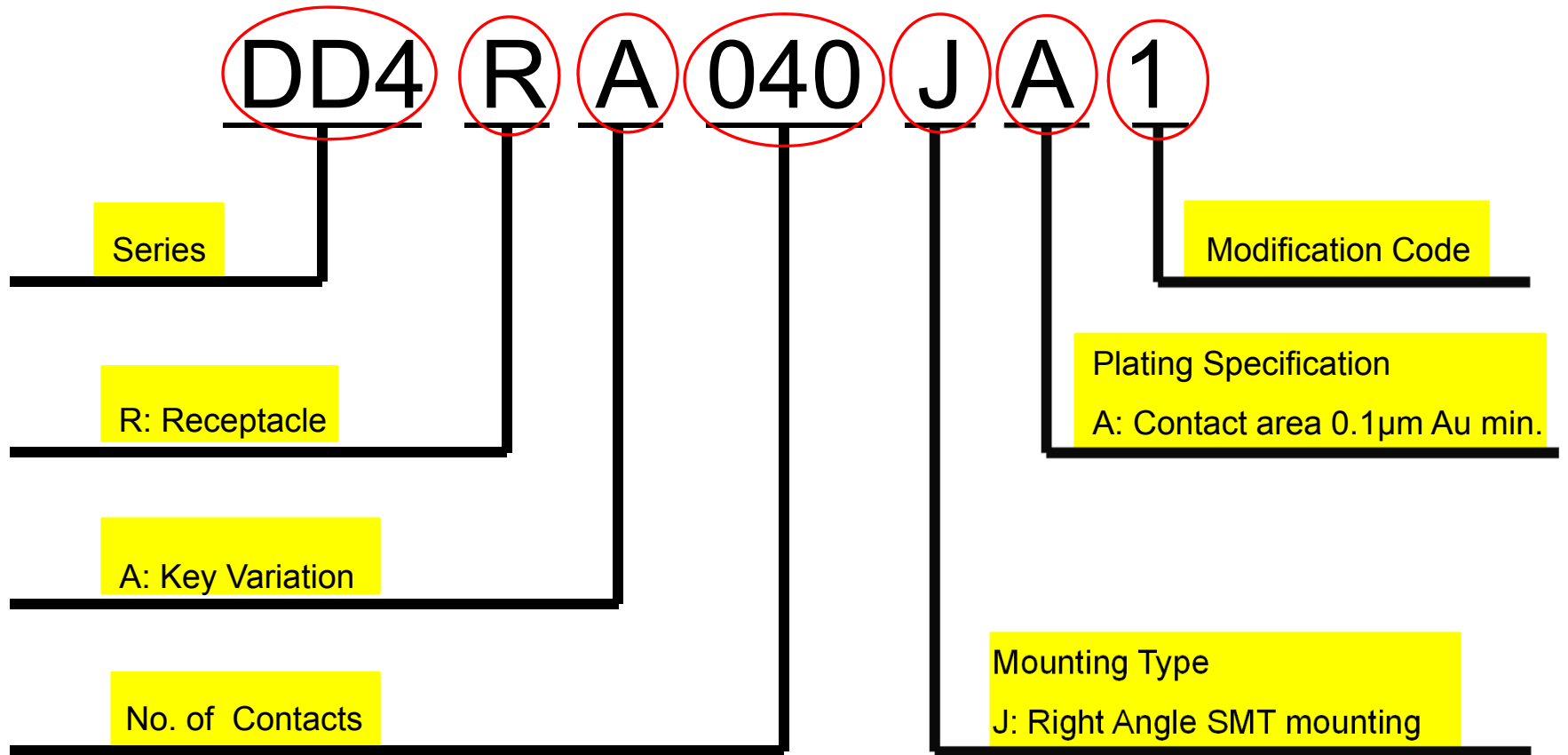
Cradle

Component	Material and Finish
Shell	Stainless-steel / Ni plating
Cap	Synthetic resin
Inner Insulator	Synthetic resin
Base Insulator	Synthetic resin
Contact	Contact area: Copper alloy / Au plating over Ni Terminal area: Copper alloy / Au flash plating over Ni



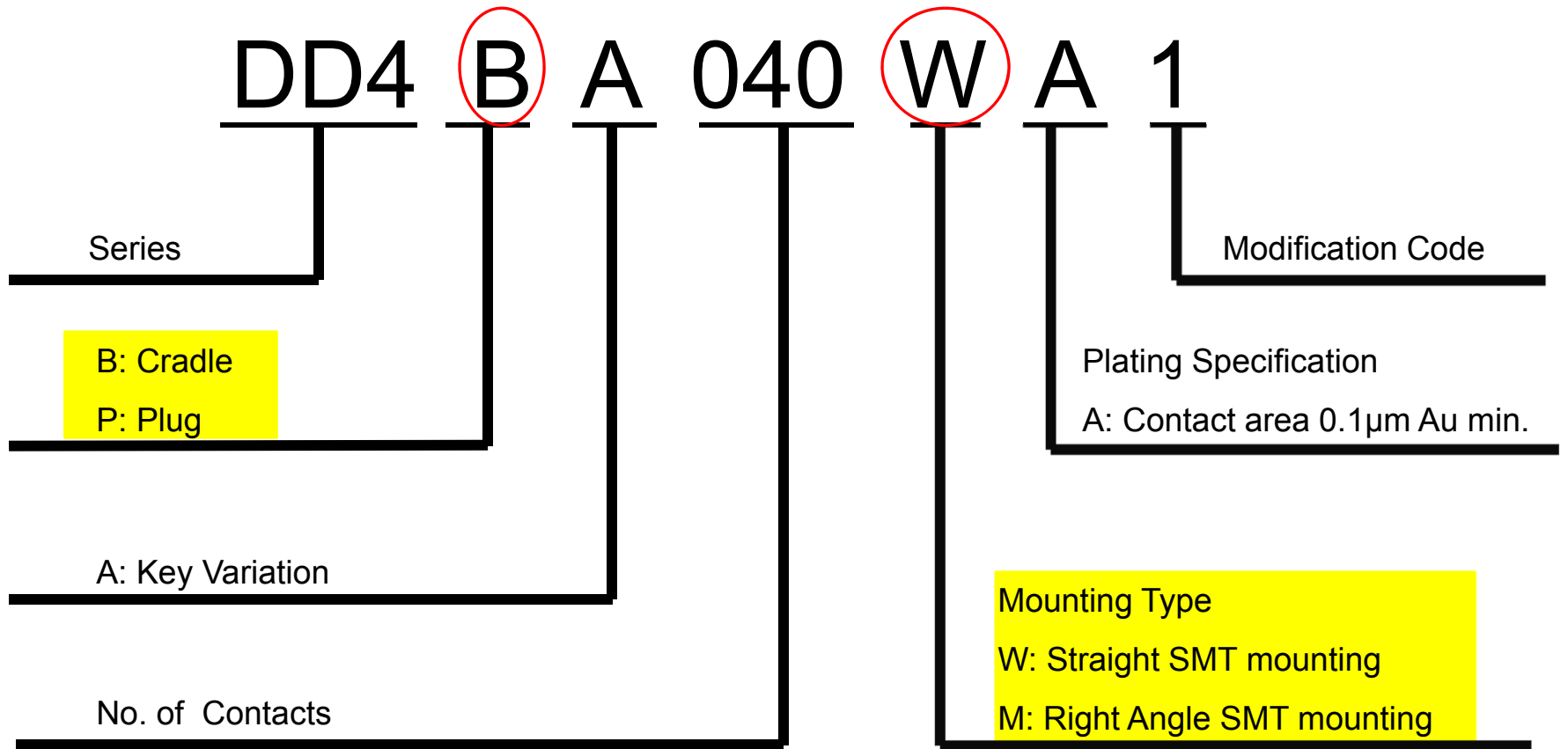
DD4 Series Part Number Guide

Receptacle



DD4 Series Part Number Guide

Plug / Cradle



Summary

- Can be used in various applications, such as laptops, tablets, and other hand-held devices.
- It is a 40 position connector
- Transmits high-speed signals such as USB 3.0, DisplayPort™, and SATA Gen2.
- Has a low-profile height of 2.8mm; ideal for slim devices.
- Equipped with a guide rail on the shell to improve connector strength against side to side twisting forces when mating and un-mating.



Technology to Inspire Innovation

JAE