



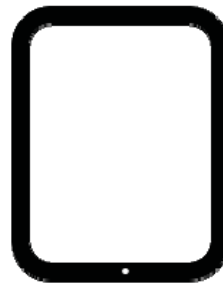
ES5 Series

Board-to-Cable Connector for LED Lighting

Connector Training Module

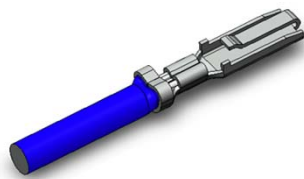
Application Examples

- LED Lighting
- LCD TV Backlighting
- Other compact devices



ES5 Series Overview

The ES5 series is a single position board to cable connector for power supply in various applications including LED lighting, LCD TV backlight, tablet PC, and other compact devices. No-insulator design realizes low profile 1.6mm height. The locking structure enables assembly workers to get good click feeling to prevent incomplete mating. ES5 series also has misalignment prevention structure on receptacle side. UL/cUL certified.



Cable Side:
Plug

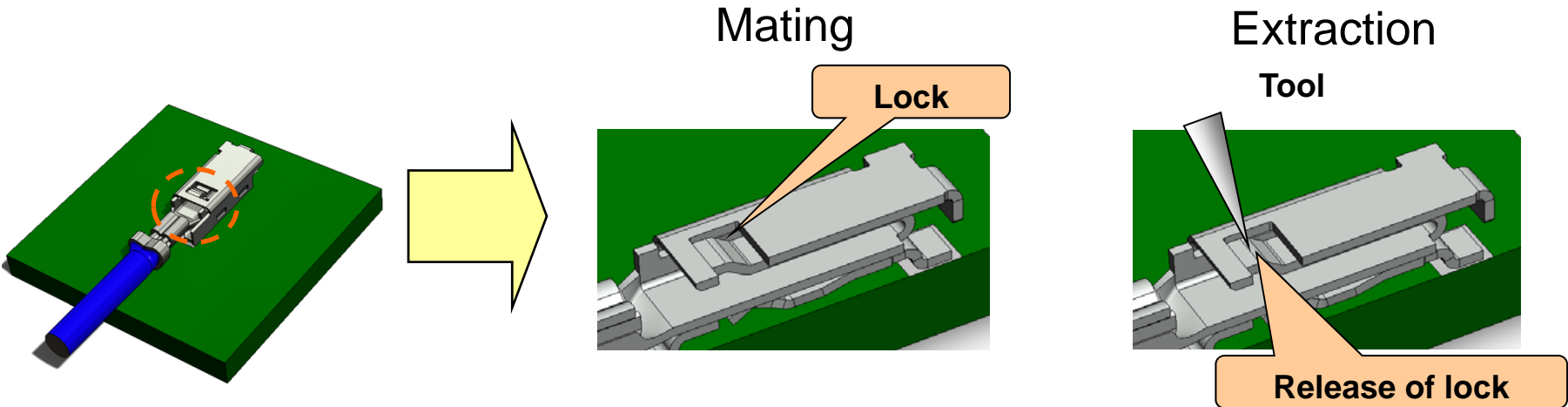


SMT Side:
Receptacle

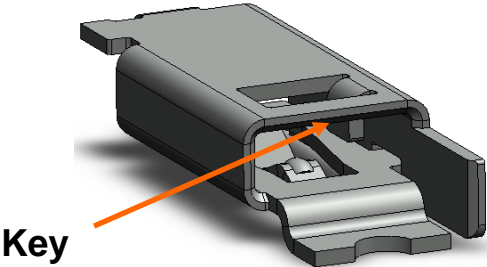


ES5 Mechanical Structure

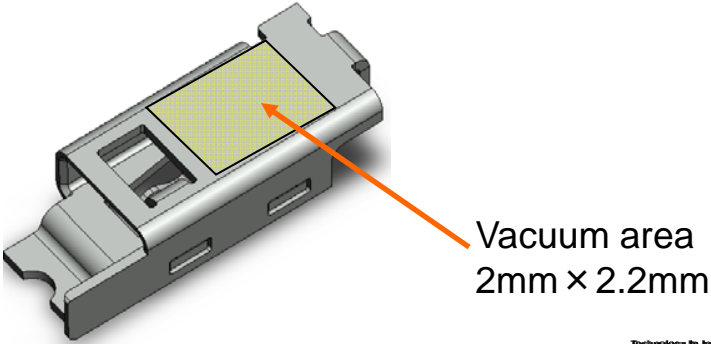
Locking Structure



Mismating prevention and guide structure

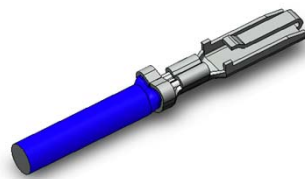


Automatic mounting



General Specifications

Number of contacts	1
Rated current	AC/DC 4A
Applicable wire	AWG#26 to #24 (stranded)
Operating temperature	-40 degC to +105 degC
Mated height	1.6mm above board
Mating durability	20 cycles
Contacts	Copper alloy / Tin plating



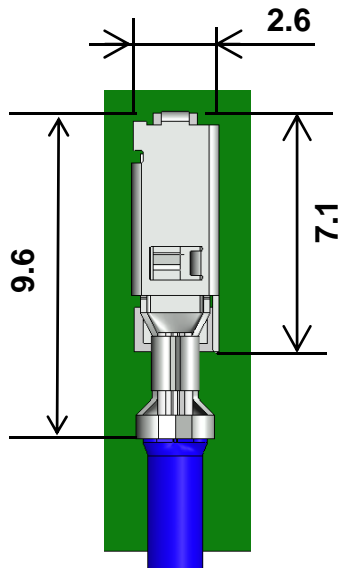
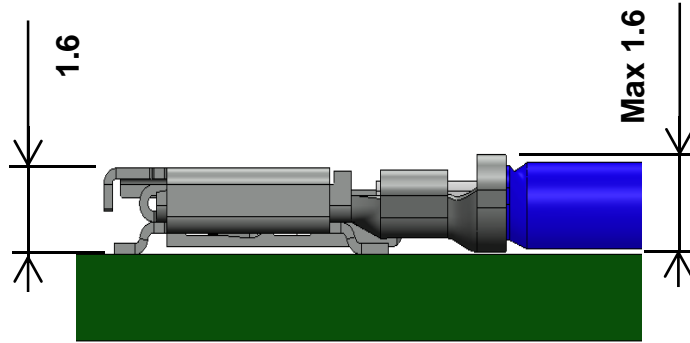
Cable Side:
Plug



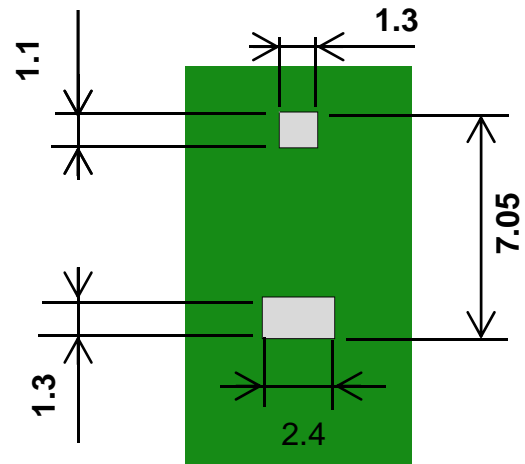
SMT Side:
Receptacle

Basic Dimensions

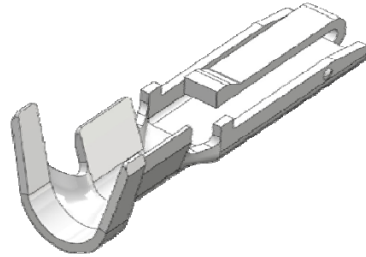
*All units in mm



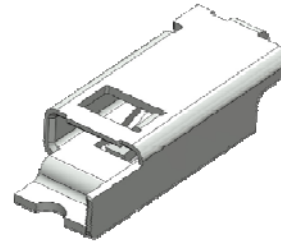
PCB Footprint



ES5 Series Part Numbers



ES5P09K5FA



ES5S001JFAR5500

Part Number (cable side)	ES5P09K5FA
Part Number (PCB side)	ES5S001JFAR5500
Connector Specifications	JACS-10914
Crimp Hand Tool	CT150-4-ES5
Semi Auto Applicator	3502-ES5-2
Semi Auto Press	CP215-5B

Summary

- Single position board-to-cable connector
- Power supply applications include
 - LED Lighting
 - LCD TV backlight
 - Tablet PC
 - Other compact devices
- No-insulator design, low profile 1.6 mm height
- Locking structure enables positive feedback to prevent incomplete mating
- Misalignment prevention structure on receptacle
- UL/cUL certified



Technology to Inspire Innovation

JAE