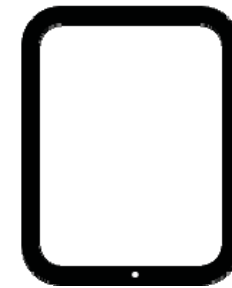
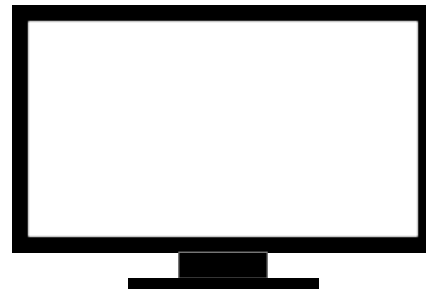


# ES9 Series Board-to-Cable Connector

Connector Training Module

## Application Examples

- LED Light Bulbs
- LED Down Lights
- LED TV Backlighting
- PCs



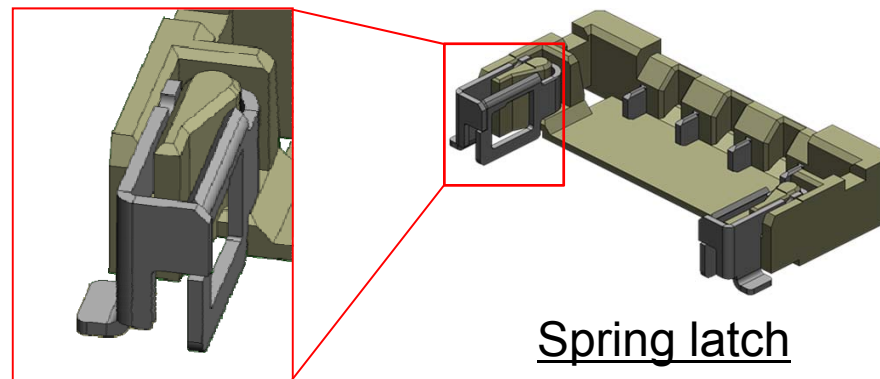
## ES9 Series Overview

The ES9 series is a 2 or 4 position, board-to-cable connector for supplying power in compact devices. It can be applied to various devices including LED lights, tablet PCs, LCD TVs, and other compact devices. It is capable of connecting wires up to 22 AWG, while maintaining a strong retention force especially in the vertical direction.



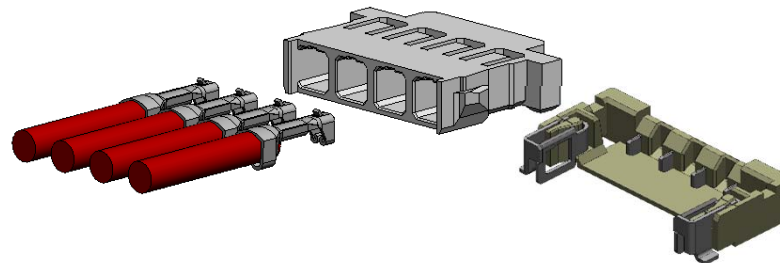
# ES9 Series Features

- Improved operability through vertical mating. Easy to visually confirm the connector is fully mated.
- Original locking structure achieves high retention strength in the vertical direction when pulling on the cable.
- High contact reliability with a 2 point contact structure.
- Extremely low profile height of 3.0mm, for a 22 AWG cable connector.
- RoHS compliant
- UL certified



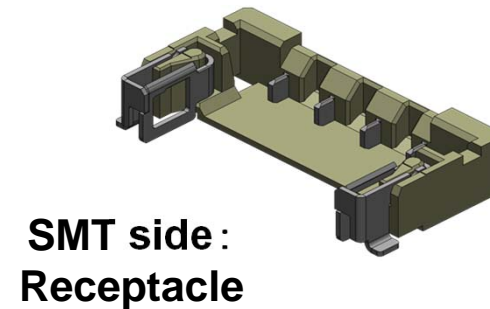
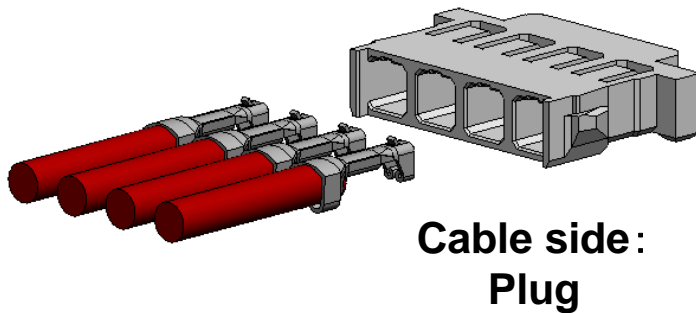
# General Specifications

<b>No. of Contacts</b>	2, 4 pos
<b>Contact Pitch</b>	3.0 mm
<b>Contact Resistance</b>	30m $\Omega$ max (initial) 45m $\Omega$ max (after test)
<b>Insulation Resistance</b>	10M $\Omega$ min.
<b>Retention Force</b>	15N min.
<b>Insulation Resistance</b>	10M $\Omega$ min.
<b>Operating Temperature Range</b>	-40 to +105 °C
<b>Rated Current</b>	4A (2 pos), 3A (4 pos)
<b>Rated Voltage</b>	AC/DC 300V
<b>Durability</b>	10 times
<b>Applicable Wire</b>	AWG #22 to AWG #26 (Outer cable diameter: 1.0~2.1)



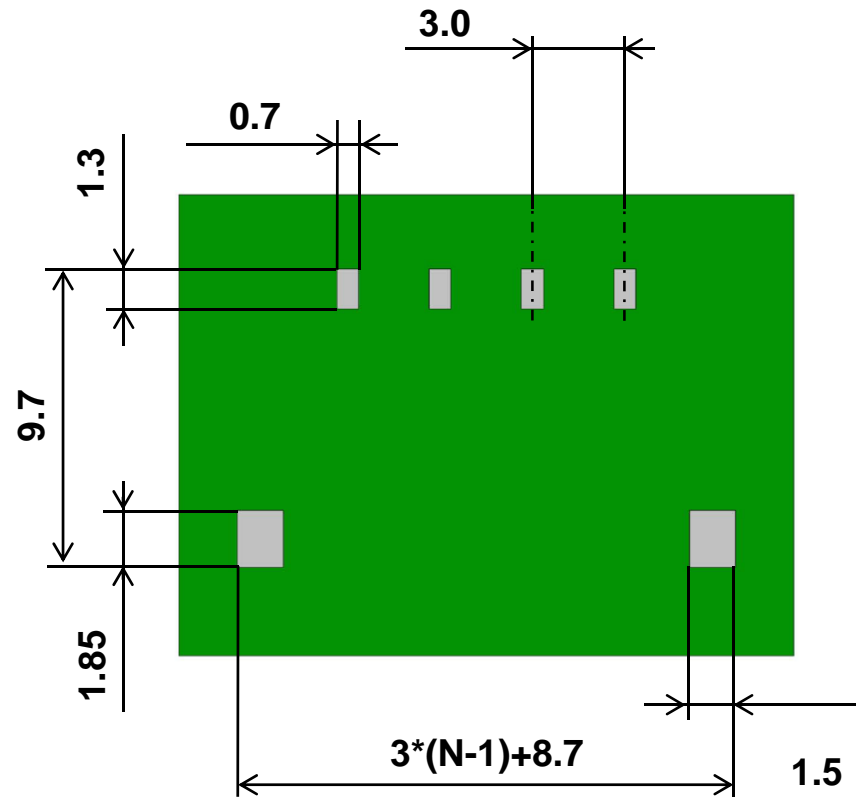
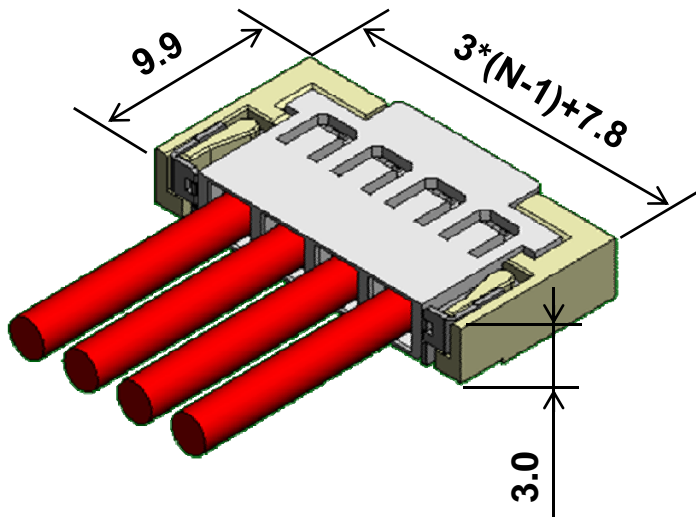
# Materials and Finishes

Component	Item	Material and Finish
Plug (Board Side)	Insulator	LCP resin
	Contact	Copper alloy / Sn plating
	Hold down	Copper alloy / Sn plating over Ni
Socket (Cable side)	Housing	Nylon resin
	Crimp contact	Copper alloy / Sn plating



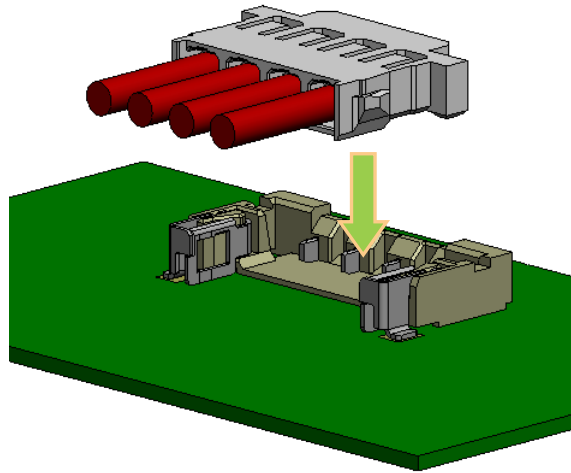
# Basic Dimensions

\*Unit: mm\*

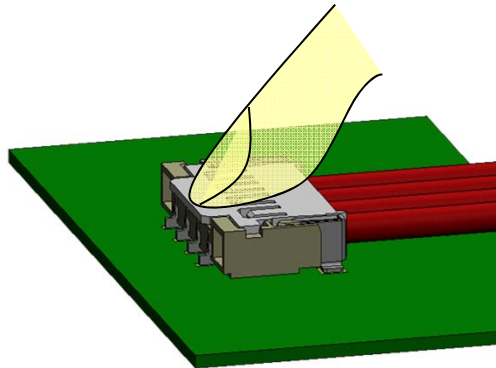


# ES9 Series Mechanical Operation

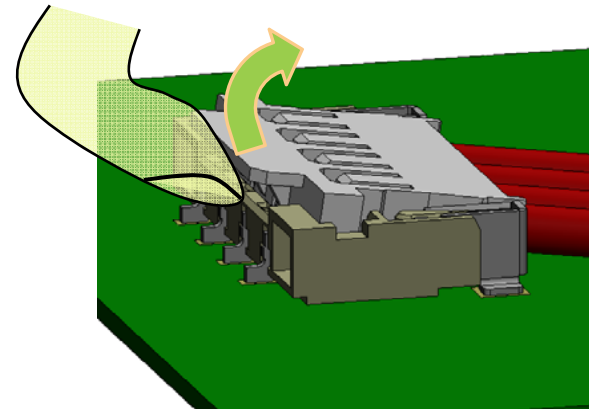
## Insertion



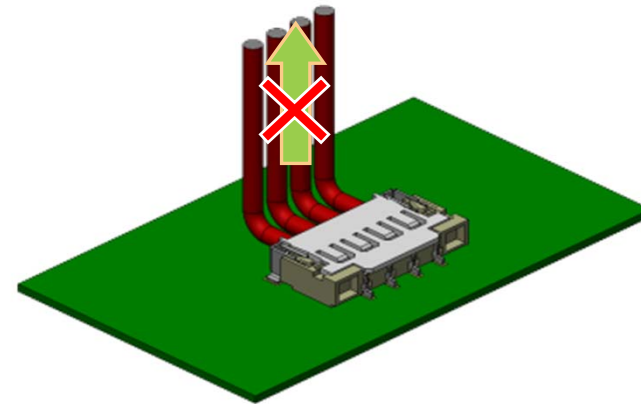
Insert the plug from above and push down until the plug is flush with the top of the receptacle.



## Extraction



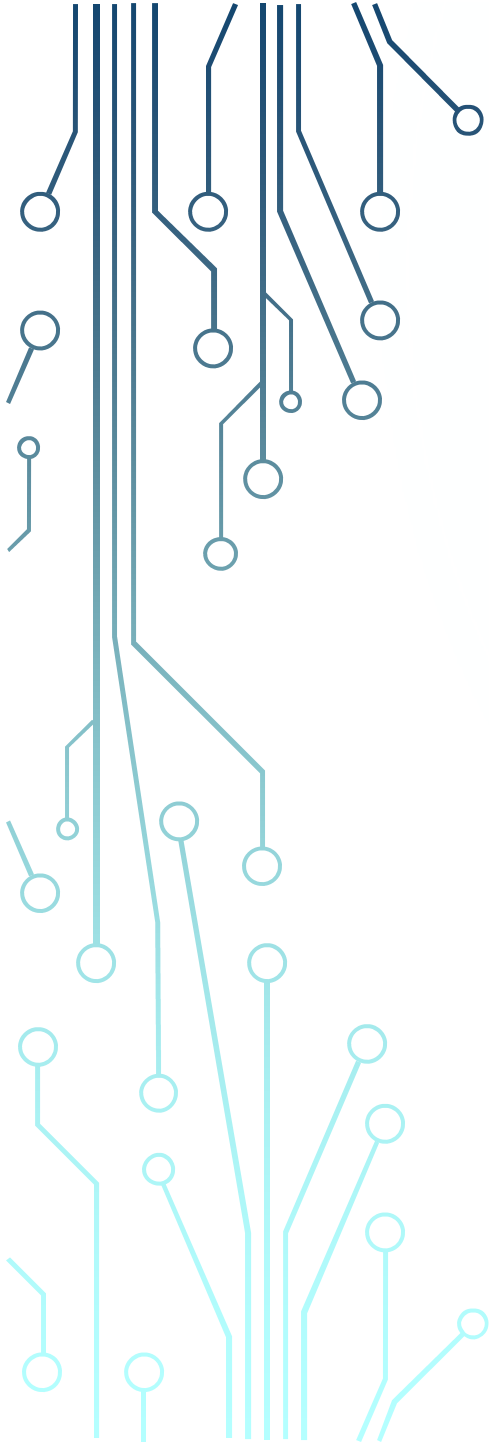
Pull up on the front side of the plug. Pulling up on the cable side will not disconnect the plug.





# Summary

- The ES9 series is a 2 or 4 position, board-to-cable connector for supplying power in compact devices
- Improved operability through vertical mating. Easy to visually confirm the connector is fully mated.
- Low profile height of 3.0mm, for a 22 AWG cable connector.
- RoHS compliant and UL certified



**Technology to Inspire Innovation**

**JAE**