



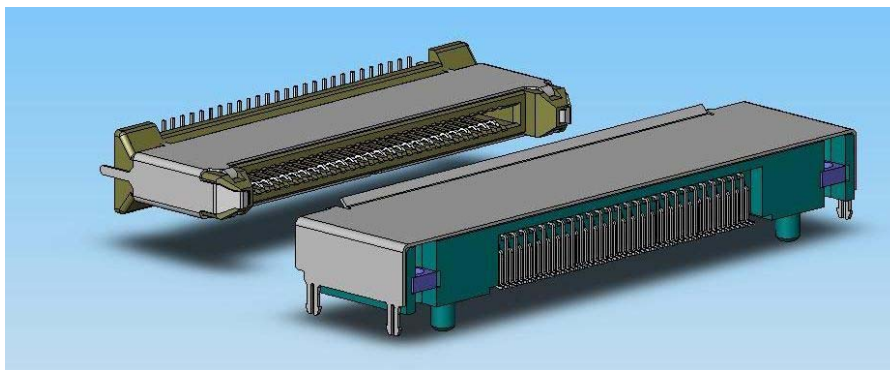
Board to Board Connector Compatible to SATA

CONNECTOR

MB-0139-1

August 2005

WM2 Series



WM2 Series are USB2.0 and SATA (Serial ATA) compatible and can be used for the bay unit connection of notebook PCs.

Features

- Compatible to SATA and USB 2.0 transmission.
- With shell compatible to EMI
The shells (ground portion) will connect first when mating.
- Strong durability, 10,000 times mating and unmating cycle guaranteed
- Two-step live insertion structure is employed for contact.
- Comes with enough guide for blind mating. Length of guide: ± 17 mm (each direction)

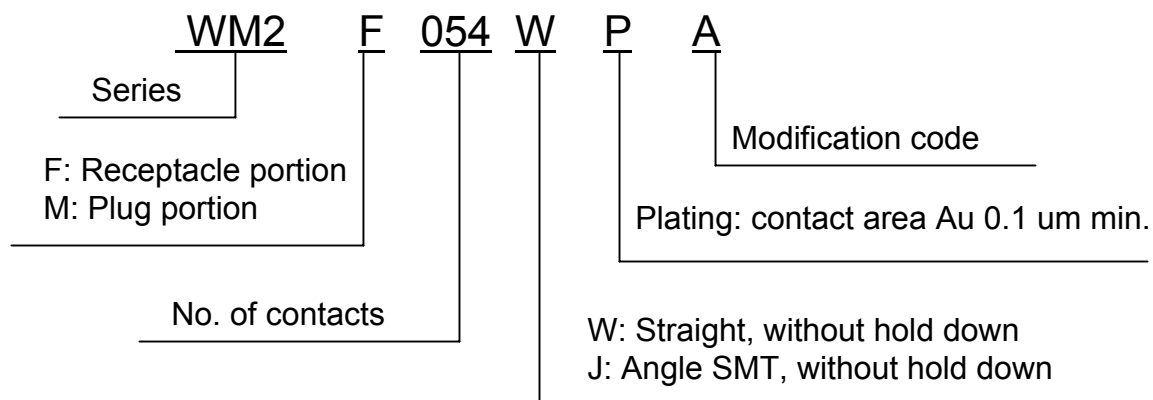
General Specifications

- No. of contacts: 54 pos.
- Contact resistance: 50m ohm max.
- Dielectric withstanding voltage : AC250 per minute
- Operating temperature: -40 Deg. C to +85 Deg. C
- Rated voltage: 0.5A/ per pin
- Durability: 10,000 cycle

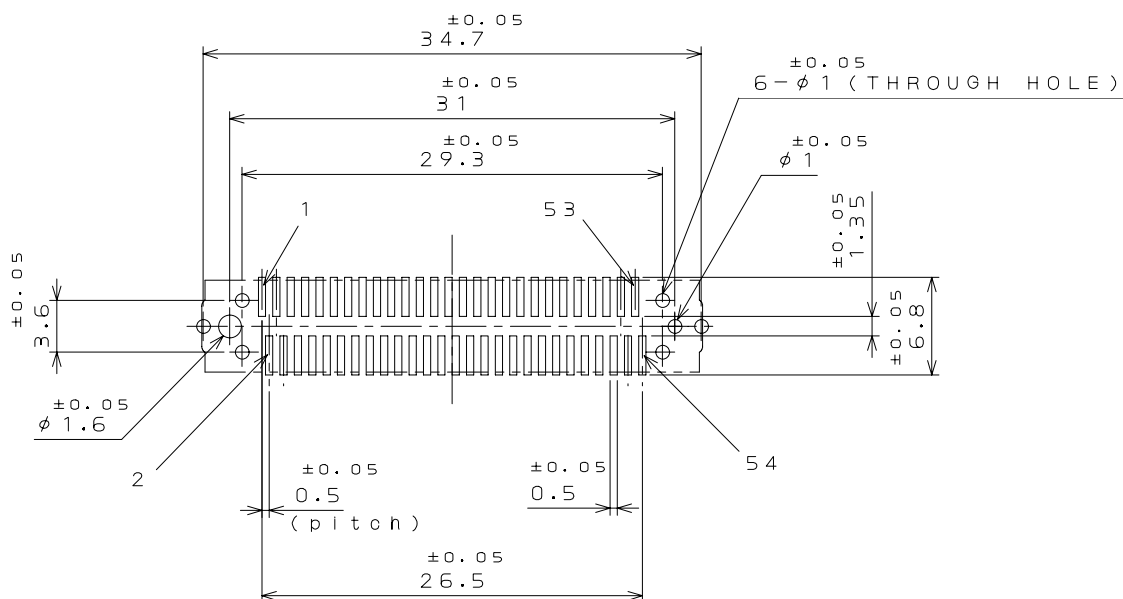
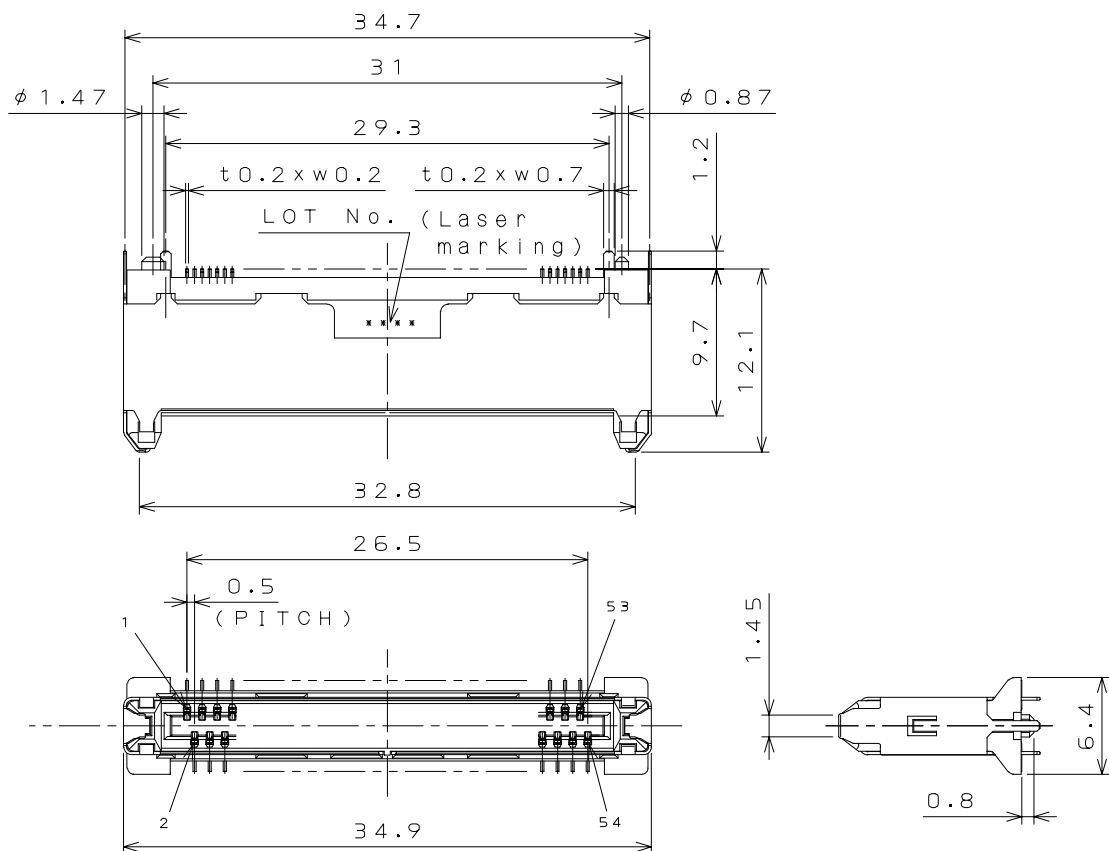
Materials and Finishes

Components	Materials /Finishes
Receptacle	
Contact	Copper Alloy/ Contact: 0.1um min. Au plating over Ni Terminal: Au flash plating over Ni
Insulator	Glass filled LCP (UL94V-0)
Shell	Stainless steel
Plug	
Contact	Copper Alloy/ Contact: 0.1um min. Au plating over Ni Terminal: Au flash plating over Ni
Insulator	Glass filled LCP
Shell	Stainless steel
Nut	Steel/ Ni plating M2

Ordering Information

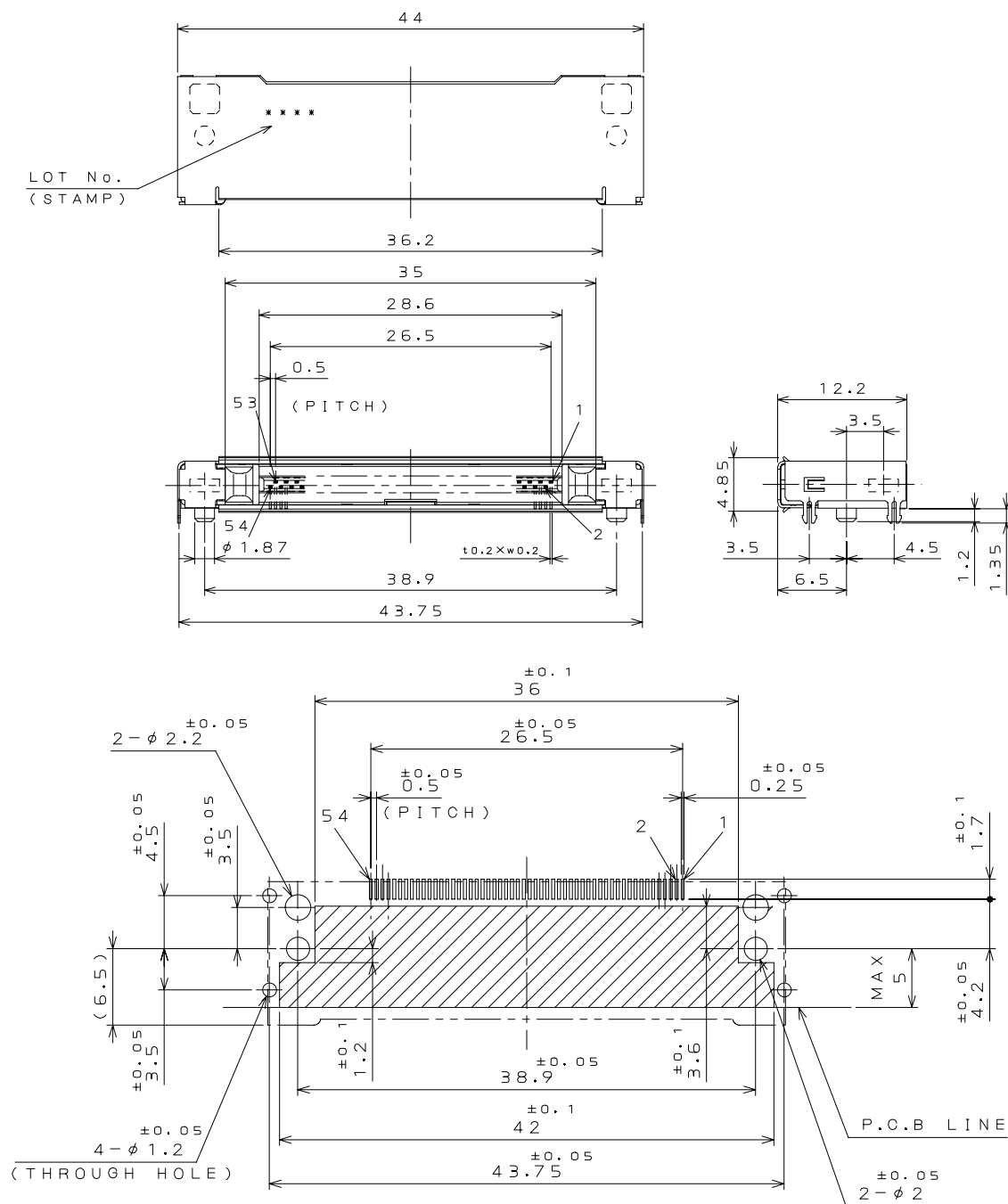


Receptacle side: WM2F054WPA (SJ100657)



Applicable P.C.B dimension

Plug side: WM2M054JPA (SJ100658)



Applicable P.C.B dimension

Notice: Products shown in this leaflet are made for the applications listed below. However, if the above-mentioned products are to be used in aerospace devices, marine cable-connection devices, atomic power control systems, medical equipment for life-support systems, or any other specific application requiring extremely high reliability, please contact JAE for further information.

Recommended applications: computers, office machines, measuring devices, telecommunication devices (terminals, mobile devices), AV devices, household applications, FA devices, etc.