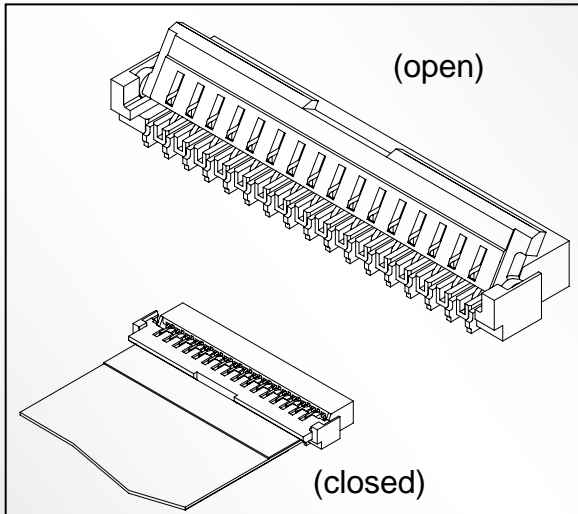


FL2 SERIES CONNECTORS

Product Bulletin



Specifically designed for compact information devices, such as mobile PCs, PDAs, LCDs, and mobile phones, JAE has developed the FL2 series of FPC connectors. These are 0.3mm pitch and RoHS-compliant. The rotating actuator to lock the FPC into place is easy to use and one-touch, and can also handle a thicker 0.2mm FPC cable.

The series consists of a single PCB-mounted right-angle connector that directly accepts the FPC cable.

FEATURES

- PCB-to-Flex Cable Connector
- 0.3mm (.012") pitch
- 1.35mm height, 2.5mm depth
- 33, 35, 39 position
- One-touch actuator
- 0.2±0.03mm FPC cable
- Easy automatic mounting
- **Lead-free/RoHS compliant**



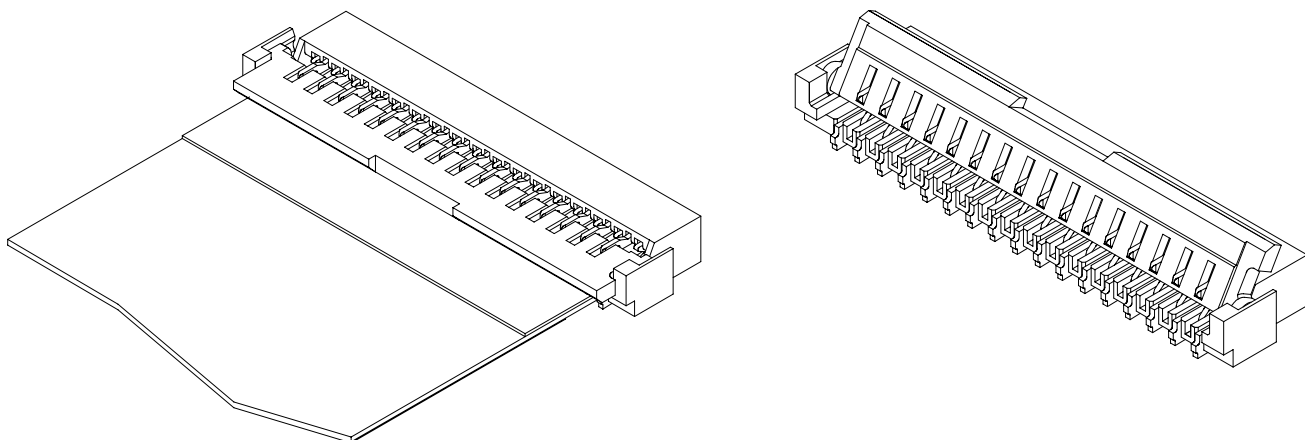
0.3mm pitch One-Touch Connector

CONNECTOR

MB-0120-1

November 2004

FL2 Series



< Outline >

The FL2 Series of connectors are for 0.3-mm pitch FPC one-touch connection for compact and small information communication devices including DSC, mobile PCs, PDAs, LCDs and mobile phones.

Features

- non-ZIF FPC connector
- Size reduced connector with 2.5mm depth and 1.35 mm height
- Easy actuator operation due to rotation mechanism
- Supply of SMT type for automatic mounting with embossed tape
- Pb-free products
- Low-profile structure of 2.5mm depth and 1.35mm height

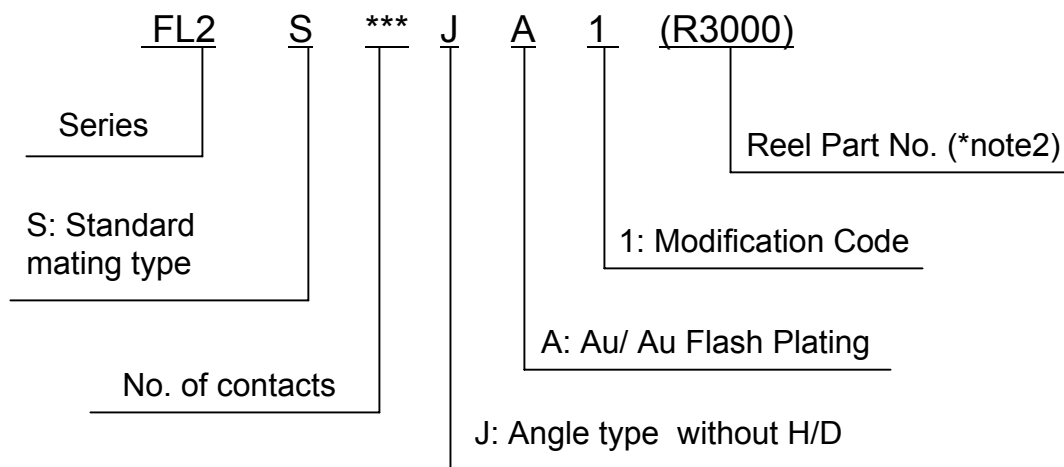
General Specifications

- | | |
|--|--|
| ■ No. of contacts : 33, 35, 39 pos. | ■ Rated current: 0.35A per pos. |
| ■ Contact resistance: 20m ohm max. | ■ Rated voltage: AC, DC 50V per pos. |
| ■ Dielectric withstanding voltage :
DC250V per minute | ■ Insulation resistance: 100M ohm min. |
| ■ Operating temperature:
-40 Deg. C to +85 Deg. C | ■ Contact pitch: 0.3mm staggered pitch |
| ■ Durability: 20 times | ■ Applicable FPC: 0.3 mm pitch
thickness 0.2±0.03 with lining |

Materials and Finishes

Components	Materials / Finishes
Contact	Copper alloy / Contact area: Au plating Terminal area: Au flash plating
Base Insulator	Synthetic resin / No (UL94V-0)
Actuator	Synthetic resin / No (UL94V-0)

Ordering Information



Part Number	SJ Drawing
FL2S***JA1	SJ101327

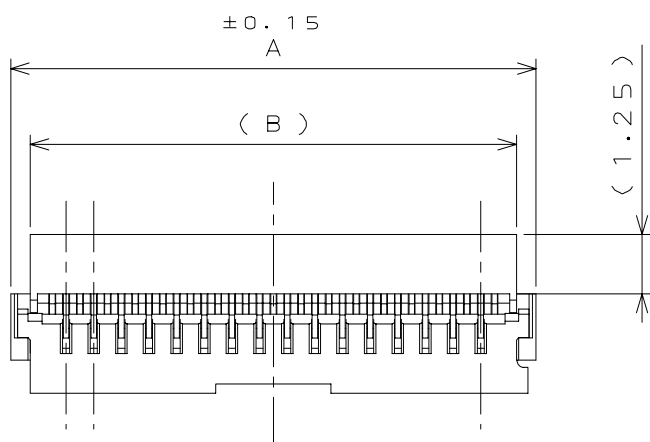
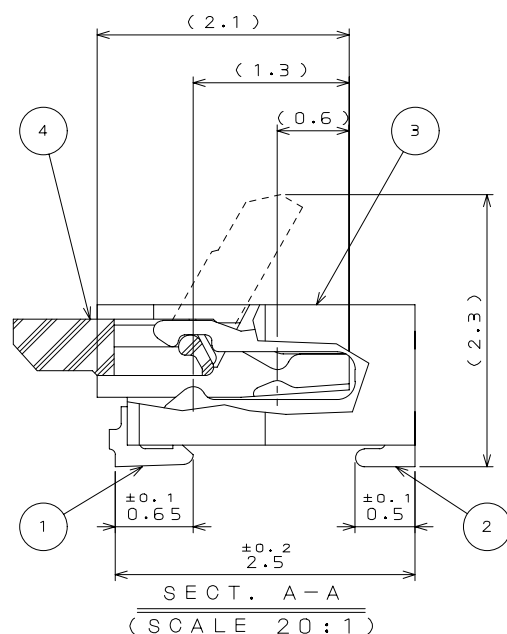
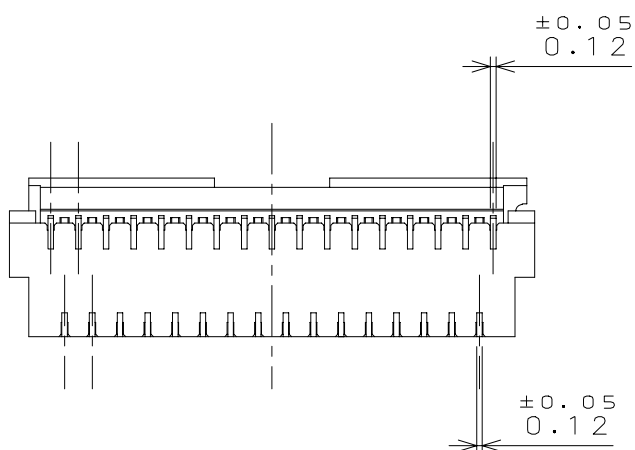
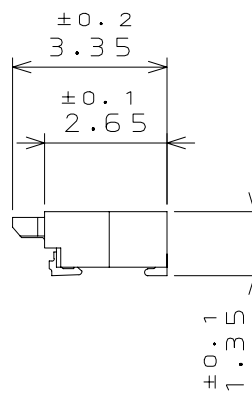
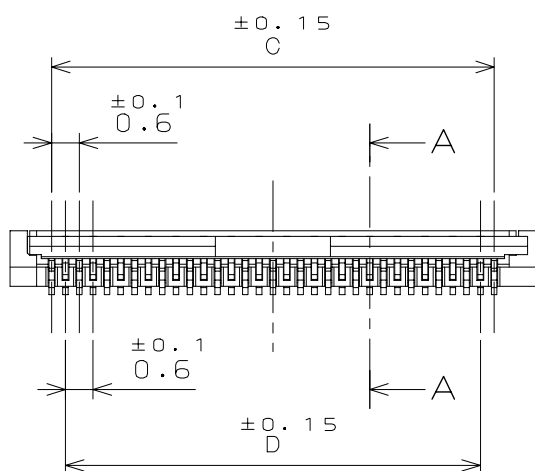


TABLE 1

NO. OF CONTACT	A	B	C	D
33	11.4	10.55	9.6	9.0
35	12.0	11.15	10.2	9.6
39	13.2	12.35	11.4	10.8



Unit: mm

