



LEMO USA, Inc.
 635 Park Court
 P.O. Box 2408
 Rohnert Park, CA 94927-2408

NEW PRODUCT

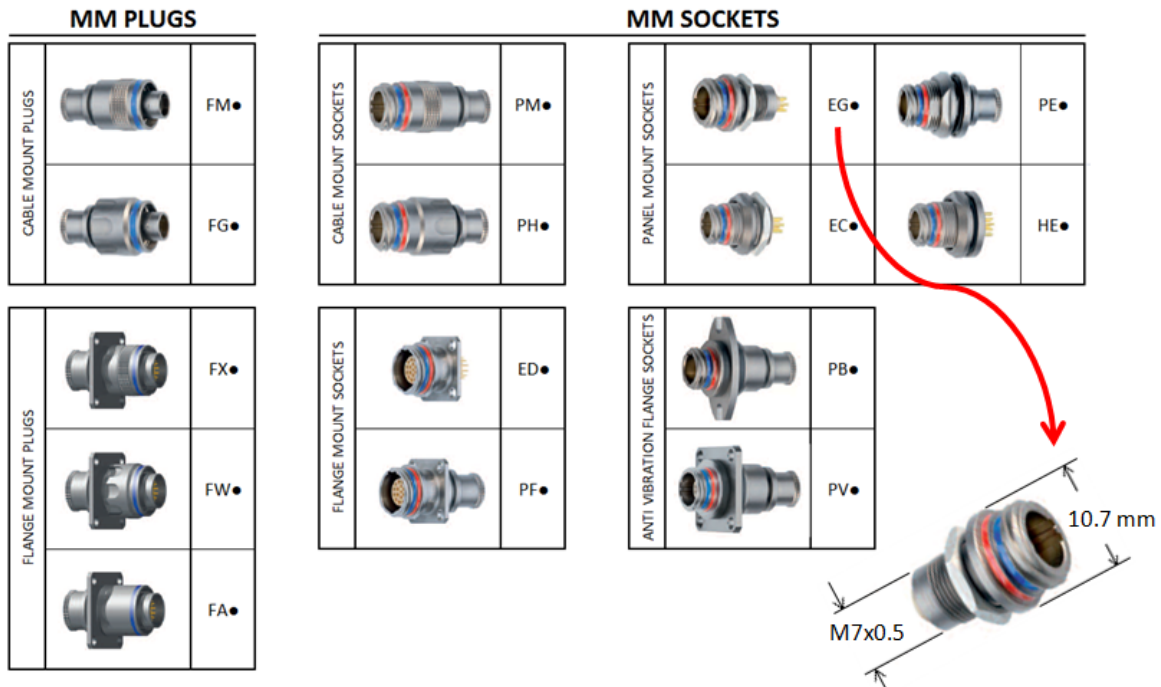
Main (707) 578-8811
 Toll Free (800) 444-5366
 Fax (707) 578-0869

Number: # 141
 By: Products and Apps
 Date: June 24, 2014

New MM Series


Product Description

The MM is the newest and smallest-sized connector offered in the M Series product line. MM plugs and cable mount sockets come with LEMO's signature ratchet-coupling knurled and arctic grip shell styles and are available with or without mold stops. Fixed sockets are available with a variety of shell types for unique applications. Like all M series connectors, the MM is IP68 when mated. The HE● receptacle is also available to provide IP68 protection to enclosures when unmated.



Keying and Gender Options

MM connectors have three standard and two reverse gender keying options for prevention of cross mating.

MM to 3M	Front view of a socket 	Model	Colour code	Contact type		Nb of keys	Angles	
				Plug	Socket		β	γ
				●●N	blue		male	female
●●P	yellow	male	female	3	150°	60°		
●●U	green	male	female	3	130°	100°		
●●S	red	female	male	3	155°	50°		
●●T	orange	female	male	3	135°	90°		

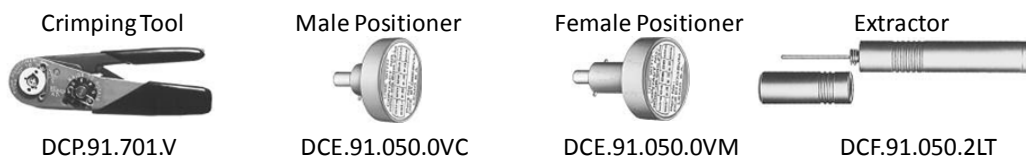
Contact Configurations

MM connectors have three or four 0.5 mm crimp contacts for use with 28-32 AWG wire.

MM	Reference		Number of contacts	ø A (mm)	Contact type		AWG	Test voltage (kV rms) ⁽¹⁾ Contact-contact	Test voltage (kV rms) ⁽¹⁾ Contact-shell	Rated current (A) ⁽¹⁾
	Male crimp contacts for plug	Female crimp contacts for sockets			Crimp	Print (straight) ⁽²⁾				
			3	0.5	●	●	28-30-32	1.15	0.95	3.0
			4	0.5	●	●	28-30-32	0.95	0.90	2.0

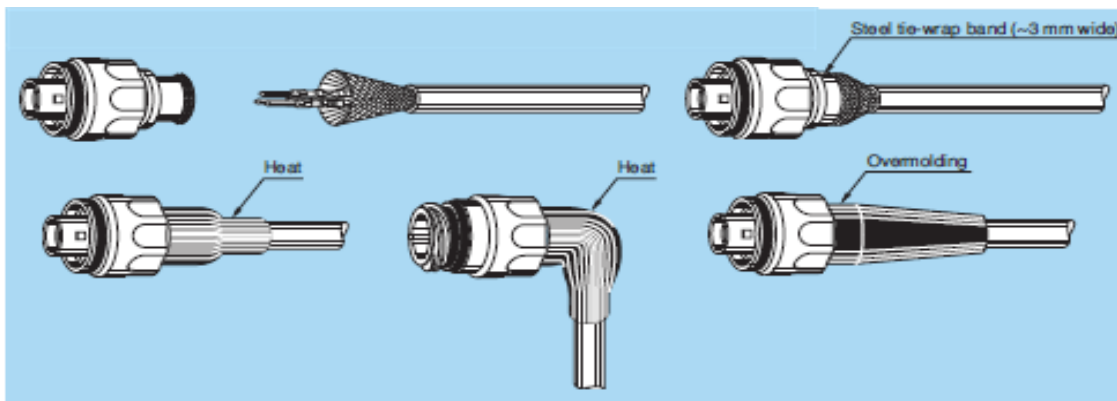
Tooling

MM series connectors can be assembled with the same crimp tool and extractors used for the 00 size in the B series.



Cable Assembly

Cable attachment is accomplished in the same manner as for all M series connectors. Micro Bands or Constant Force Springs are used to secure the cable shield to the connector shell. Heat shrink boots or an overmold may be applied over the cable and shell to provide strain relief and environmental protection.



Accessories

Blanking caps and plugs are available for MM plugs and sockets whether cable mounted or panel mounted.



Documentation

Drawings and Samples are available upon request. The M Series Catalog has been updated and is available on the LEMO.com website. Please contact your Customer Account Specialist or Applications Engineering for more details!