

ROCKER SWITCH SERIES 1835

WITH CONTACT PROTECTION



ADVANTAGE

No accidental actuation

High reliability

Excellent haptics

Numerous versions

Attractive, flexible design

High endurance

→ FEATURES

→ Contact protection

→ Loads up to 20 A and with 400 V approval

→ Optimized and symmetric actuation characteristic

→ ON / OFF (DPST) or changeover (DPDT), (SPDT momentary); quick-connect-, solder- or PCB terminals

→ Rocker available in many different colors, optionally with function illumination

→ Tried and tested switching system

Schaltleistung	10 (8) A 250 V AC 5E4 20 (4) A 250 V AC 1E4
Number of poles	Two poles
Type of actuation	Rocker switch
Illumination	Optional
Protection type	IP 40
Mechanical lifetime	10E4
Contact resistance (New condition)	< 100 (1 A 12 V DC) mOhm
Insulation resistance (New condition)	> 100 (500 V DC) MOhm
Proof tracking	250 PTI
Ambient temperature	-20 °C ... +85 °C
Flammability	UL 94 V-2 (optional V0)
Glow wire test temperature	850 °C
Actuating force	≤ 2.5 N
Approval marks	

EXAMPLES OF APPLICATION

- Household appliances
- Medical devices
- Industrial applications
- Laboratory devices
- Power supply
- Office equipment

ROCKER SWITCH SERIES 1835

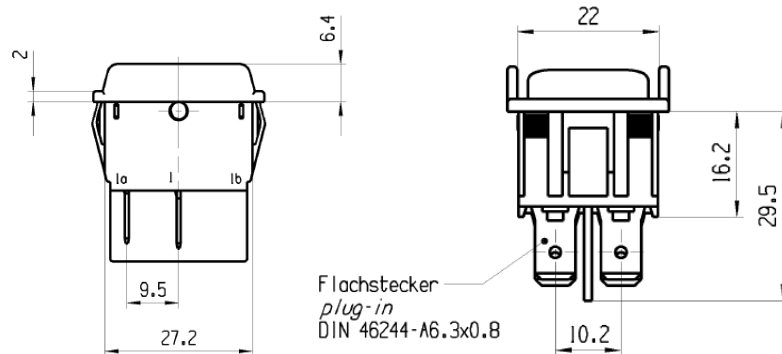
WITH CONTACT PROTECTION

VARIANTS

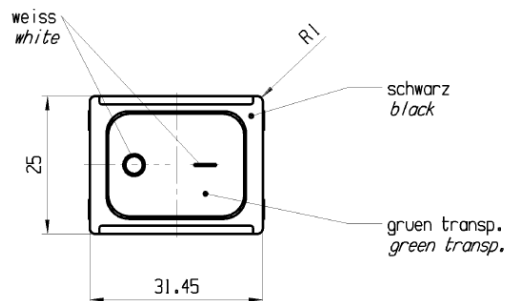
Part number	Color of actuator	Actuation type	Poles	Connection type	Miscellaneous
1835.3608	Green	Rocker switch	2	Quick 6.3 x 0.8	Actuation protection
1835.3602	Red	Rocker switch	2	Quick 6.3 x 0.8	Actuation protection
1835.3xxx	White	Rocker switch	2	Quick 4.8 x 0.8	Actuation protection
1835.3xxx	Orange	Rocker switch	2	PCB terminal	Actuation protection
1835.3xxx	More	Rocker switch	2	PCB terminal angled	Actuation protection

DRAWINGS

(Dimensions in mm)



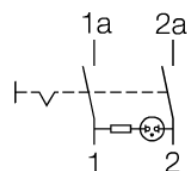
Quick-connect terminal 4,8



Cut-out

Device wall thickness	length	width
0.75 – 1.25	30.0 ^{-0.1}	22 ^{+0.2}
1.25 – 2.00	30.2 ^{-0.1}	22 ^{+0.2}
2.00 – 3.00	30.6 ^{-0.1}	22 ^{+0.2}

CIRCUIT



ON / OFF switch with function illumination



MARQUARDT