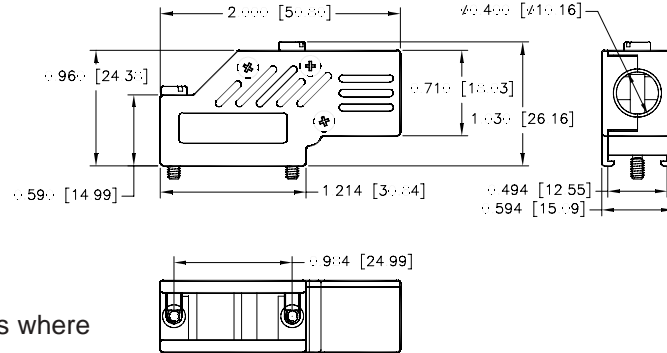


# CMR SERIES - METAL RIGHT ANGLE COVER 9 POSITION - LOW PROFILE



## FEATURES:

- Ultra-Low profile design allows for use in applications where space is restricted.
- Tapped through-holes ensure easy and rapid assembly of cover for lower labor costs.
- NorTech™ “one-size-fits-all” Compression Insert System reduces connector cover inventory and provides excellent strain relief.
- Accommodates Cable O.D.’s from 0.200 in. to 0.400 in..
- Custom Logos available. Subject to minimum order quantity.

## SPECIFICATIONS:

Cover Material: Die-Cast Zinc c.

Plating: Nickel over Copper under-plate.

Hardware: #4-40 UNC Captive Screws - Nickel-plated  
Low Carbon Steel.  
#2-56 UNC Machine Screws - Zinc-plated  
Low Carbon Steel.

## PART NUMBERS - NO LOGO

Bulk: NA30901000

Pkg: N30901000