

## CMR SERIES - METAL RIGHT ANGLE COVER 25 POSITION - LOW PROFILE



### FEATURES:

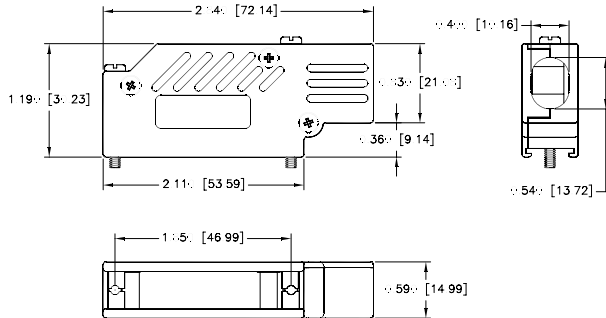
- Ultra-Low profile design allows for use in applications where space is restricted.
- Tapped through-holes ensure easy and rapid assembly of cover for lower labor costs.
- U-Clip cable retention system provides maximum strain relief.

### SPECIFICATIONS:

Cover Material: Die-Cast Zinc.

Plating: Nickel over Copper under-plate.

Hardware: #4-40 UNC Captive Screws - Nickel-plated  
Low Carbon Steel.  
#4-40 UNC Machine Screws - Zinc-plated  
Low Carbon Steel.



### PART NUMBERS - NO LOGO

Bulk: NA30920000

Pkg: N30920000