

NO: RL-102
DATE: January 2008

PRODUCT: G5LB Relays
TYPE: Discontinuation

G5LB Relays Discontinued End of FY2007

Effective March 30, 2008, G5LB Relays will no longer be produced. Omron recommends using G5LA or G5LE Relays to replace a G5LB Type. Both G5LA and G5LE are footprint compatible with G5LB.

The G5LA Relays represent a cost effective replacement that is very close in size to the G5LB. The G5LA-CF (Class F) Relays have CTI > 250 Rating which matches up with G5LB-1(A) (4)-25 Class F Models. The G5LA-1A(4)-(CF) SPST-NO Models offer a Resistive Load of 10A @24VDC versus G5LB-1A(4)-(25) SPST-NO Models with Resistive Load Rating of 8A @30VDC.



The G5LE Relays offer a more robust larger size replacement for G5LB Type at a small premium. The Resistive Rated Load for SPDT Models matches up well with G5LB and is available in 3, 6, and 18VDC Coils.

Key Notes:

Omron strongly recommends placing last time buy orders right away. Final orders will be accepted no later than February 28, 2008.

Be sure to review the accompanying G5LB-G5LA and G5LB-G5LE replacement guides below.

The current G5LA Relays come in 5, 9, 12, 24, and 48VDC Coils.

The current G5LB Relays comes in 3, 5, 6, 9, 12, 18, 24, and 48VDC Coils.

The current G5LE Relays come in 3, 5, 6, 9, 12, 18, 24, and 48VDC Coils.

G5LB → G5LA Conversion:

The model of be discontinued
Product name: PCB Relay

Model to be discontinued
Type G5LB

Recommended Replacement model
Type G5LA more cost effective

Precaution when using the replacement models
G5LB comes in 3, 6, and 18VDC. G5LA does not. External dimensions are different. Mounting holes are different. Country origin is different.

(Difference between the Discontinued and Replacement models)

Item Model	Color of Body	External Dimensions	Connection	Mounting Holes	Rated Characteristics	Operating Characteristics	Operating Method
G5LA	*	*	**	*	*	**	**

** : Completely compatible

* : Small change/ high equivalent

Discontinued model and recommended replacement model

G5LB-1(A)(4)-(25) → G5LA-1(A)(4)-(CF)

G5LB-1(4)-(25) G5LA-1(4)-E-(CF) : NC side

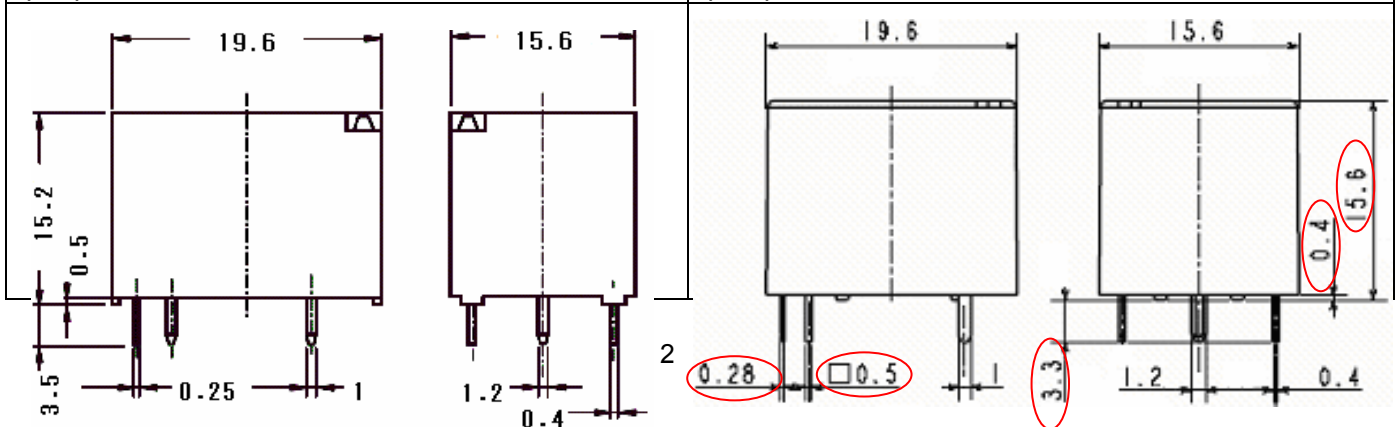
Best Scenario is replacement G5LB SPST-NO Relay with G5LA SPST-NO Relay.

■ Color of Body

Model to be discontinued Type G5LB-1(A)(4)-(25), G5LB-1(4)-(25)	Recommended replacement model Type
G5LB-1(A)(4): Black (SPST-NO & SPDT) G5LB-1(A)(4)-25: White (SPST-NO & SPDT)	G5LA-1(A)(4)-(CF), G5LA-1(4)-E-(CF): Black

■ External Dimensions

Model to be discontinued Type G5LB-1(A)(4)-(25), G5LB-1(4)-(25)	Recommended replacement model Type G5LA-1(A)(4)-(CF), G5LA-1(4)-E-(CF)
--	---



--	--

■ Connection

Model to be discontinued Type G5LB-1(A)(4)-(25), G5LB-1(4)-(25)	Recommended replacement model Type G5LA-1(A)(4)-(CF), G5LA-1(4)-E-(CF)
Same	

■ Mounting Holes

Model to be discontinued Type G5LB-1(A)(4)-(25), G5LB-1(4)-(25)	Recommended replacement model Type G5LA-1(A)(4)-(CF), G5LA-1(4)-E-(CF)
	<p>*The circled dimensions are different.</p>

■ Rated Characteristics

***Basic performance is the same. (The description is just different.)**

Model Item	Model to be discontinued Type G5LB-1(A)(4)-(25) G5LB-1(4)-(25)	Recommended replacement model Type G5LA-1(A)(4)-(CF) G5LA-1(4)-E-(CF)
Rated load	10A at 120VAC 8A at 30VDC 10A at 250VAC	NO: 10A at 250VAC 10A at 24VDC NO/NC: 5A/5A at 125VAC 5A/5A at 250VAC (-E model) 5A/5A at 24VDC
Electrical Endurance	100,000 operations min. (at 10A, 120VAC)	100,000 operations typical

■ Operating Characteristics

Model to be discontinued Type G5LB-1(A)(4)-(25), G5LB-1(4)-(25)	Recommended replacement model Type G5LA-1(A)(4)-(CF), G5LA-1(4)-E-(CF)
--	---

■ Operating Method

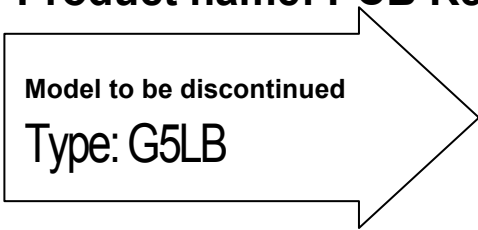
Model to be discontinued Type G5LB-1(A)(4)-(25), G5LB-1(4)-(25)	Recommended replacement model Type G5LA-1(A)(4)-(CF), G5LA-1(4)-E-(CF)
Same	

■ Country Origin

Model to be discontinued Type G5LB-1(A)(4)-(25), G5LB-1(4)-(25)	Recommended replacement model Type G5LA-1(A)(4)-(CF), G5LA-1(4)-E-(CF)
Malaysia	China

G5LB → G5LE Conversion:

The model to be discontinued
Product name: PCB Relay



Precaution when using the replacement models

External dimensions are different.
Mounting holes are different.
G5LE does not have CTI > 250 Rating
G5LE Nominal Power 400mW Standard Models

(Difference between the Discontinued and Replacement models)

Item Model	Color of Body	External Dimensions	Connection	Mounting Holes	Rated Characteristics	Operating Characteristics	Operating Method
G5LE	*	*	**	**	*	**	**

** : Completely compatible

* : Small change/ high equivalent

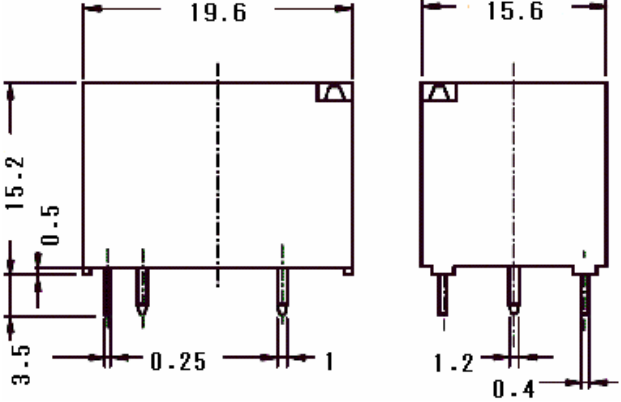
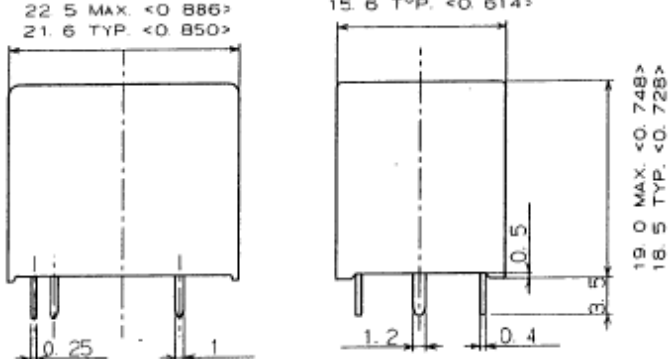
Discontinuance model and recommended replacement model

G5LB-1(A)(4)-(25) -> G5LE-1(A)(4)-(CF)
 G5LB-1(4)-(25) G5LE-1(4)-(CF) :
 Best Scenario is replacing G5LB SPDT Relay with G5LE SPDT Relay.

■Color of Body

Model to be discontinued Type G5LB-1(A)(4)-(25), G5LB-1(4)-(25)	Recommended replacement model Type
G5LB-1(A)(4): Black (SPST-NO & SPDT) G5LB-1(A)(4)-25: White (SPST-NO & SPDT)	G5LE-1(A)(4)-(CF), G5LE-1(4)-(CF): Black

■External Dimensions

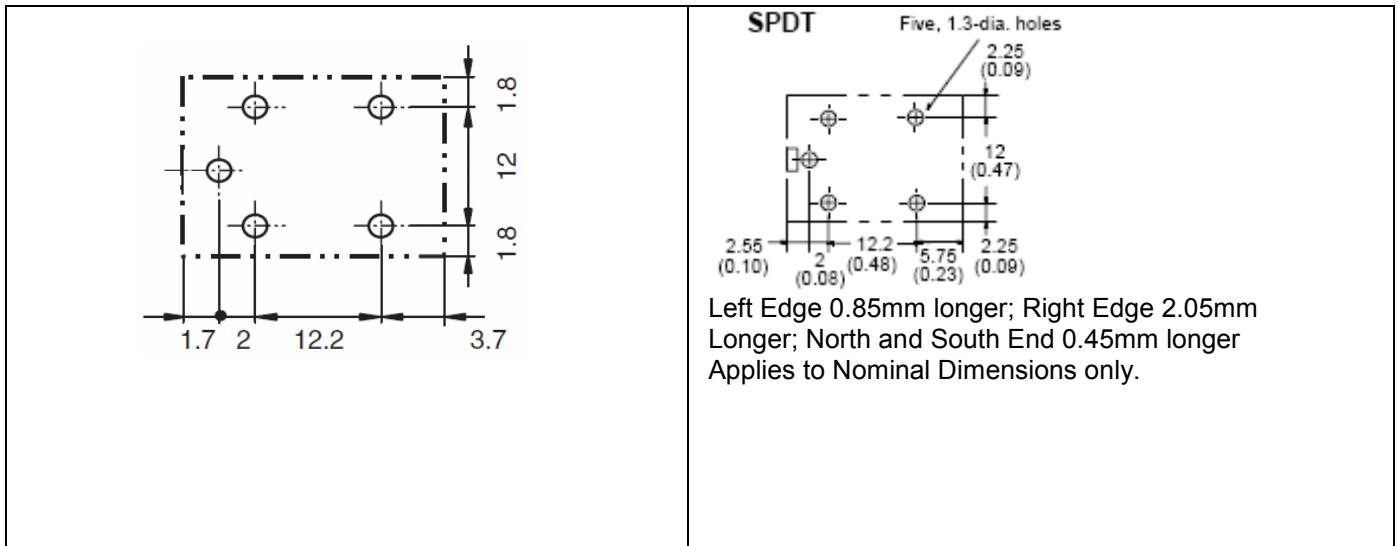
Model to be discontinued Type G5LB-1(A)(4)-(25), G5LB-1(4)-(25)	Recommended replacement model Type G5LE-1(A)(4)-(CF), G5LE-1(4)-(CF)
	 <p>Length 2.0mm longer; Height 3.3mm taller; applies to Nominal Dimensions only. Contact Omron for further dimensional comparisons.</p>

■Connection

Model to be discontinued Type G5LB-1(A)(4)-(25), G5LB-1(4)-(25)	Recommended replacement model Type G5LE-1(A)(4)-(CF), G5LE-1(4)-(CF)
Same	

■Mounting Holes

Model to be discontinued Type G5LB-1(A)(4)-(25), G5LB-1(4)-(25)	Recommended replacement model Type G5LE-1(A)(4)-(CF), G5LE-1(4)-(CF)
--	---



■ Rated Characteristics

*Basic performance is the same. (The description is just different.)

Model Item	Model to be discontinued Type G5LB-1(A)(4)-(25), G5LB-1(4)-(25)	Recommended replacement model Type G5LE-1(A)(4)-(CF) G5LE-1(4)-(CF)
Rated load	10A at 120VAC 8A at 30VDC 10A at 250VAC	NO: 10A at 120VAC 8A at 30VDC NC: 10A at 120VAC 8A at 30VDC
Electrical Endurance	100,000 operations min. (at 10A, 120VAC)	100,000 operations min. at rated load

■ Operating Characteristics

Model to be discontinued Type G5LB-1(A)(4)-(25)	Recommended replacement model Type G5LE-1(A)(4)-(CF), G5LE-1(4)-(CF)
Same	

■ Operating Method

Model to be discontinued Type G5LB-1(A)(4)-(25), G5LB-1(4)-(25)	Recommended replacement model Type G5LE-1(A)(4)-(CF), G5LE-1(4)-(CF)
Same	

■ Country Origin

Model to be discontinued Type G5LB-1(A)(4)-(25), G5LB-1(4)-(25)	Recommended replacement model Type G5LE-1(A)(4)-(CF), G5LE-1(4)-(CF)
Malaysia	Malaysia

