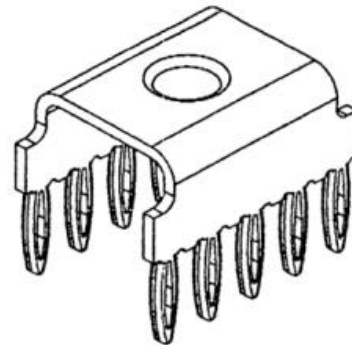


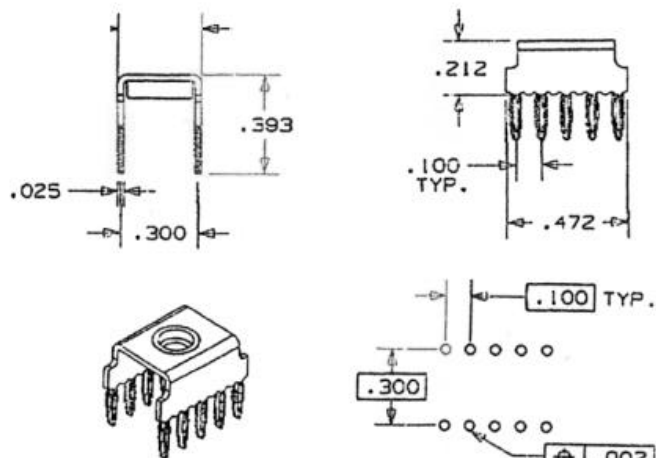
Power Tap Connector

Features:

- Designed to bring power to printed circuit boards
- Allows wire to board connection using common ring or fork terminals
- 6/32 threaded steel insert staked in place
- 10 press-fit ins (2 rows of 5)
- Maximum current carrying capacity of 40 Amps
- No special tooling required for insertion into PC board
- For printed circuit boards 3/32" and thicker



6-32 THREADED STEEL INSERT



RECOMMENDED PC HOLE PATTERN

RECOMMENDED PC HOLE SIZE .040±.003

Materials:

- Contact is Phosphor Bronze
- Insert is Steel
- Plating is 100/150 microinches tin over 50 microinches nickel

Electrical:

- Current carrying capacity (determined by PCB and wire termination) 40 Amps maximum @ 20 degrees C
- Rated current circuit resistance is <10 milliohms

Mechanical:

- Maximum PCB insertion force: 400 lbs
- Minimum retention force: 80 lbs
- Minimum threaded insert torque-out: 19 inch pounds

Ordering Information:

- **Part number is PPT0632**
- Contact factory for price and delivery

ITW Pancon
 An Illinois Tool Works Company
 309 E. Crossroads Parkway
 Bolingbrook, IL 60440
 (888) 515-2100
 (630) 972-8900 (fax)
www.itwpancon.com