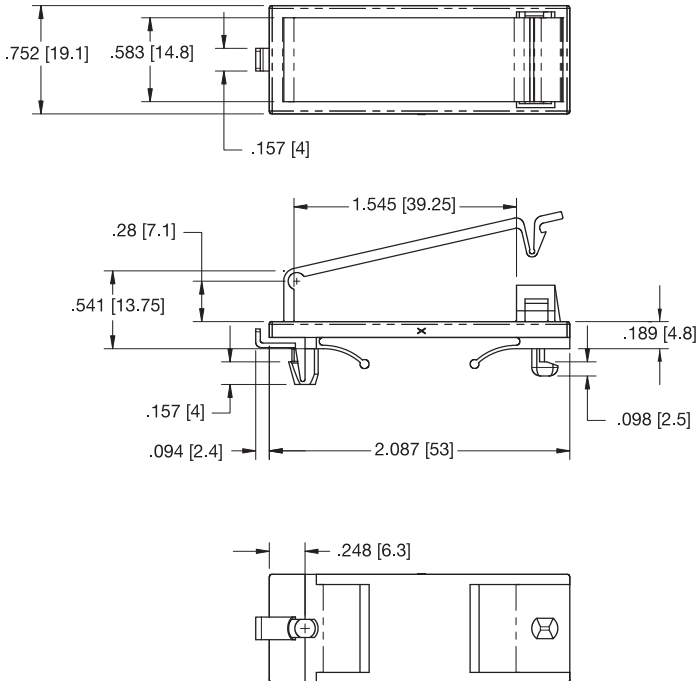
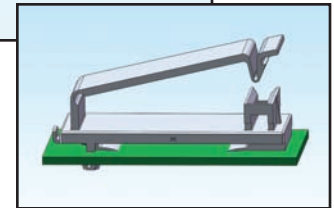
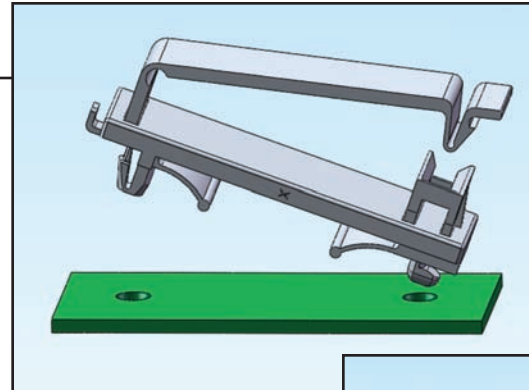


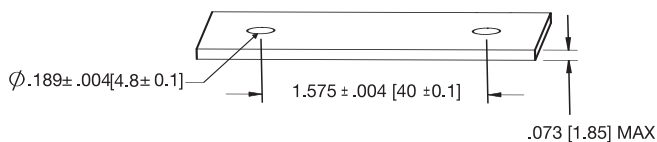
## Introducing the *FCSE* Cable Clamp—Slide Entry

### Features and Benefits

- Clamp is removable from top side of mounting surface
- Installed by sliding one side of the clamp into a hole and snap locking the other end into a second hole
- Fits into standard .187" (4.75) hole diameters
- Designed to hold up to a 40 conductor cable width of 1.545 (39.25)
- Quick access to wires and cables



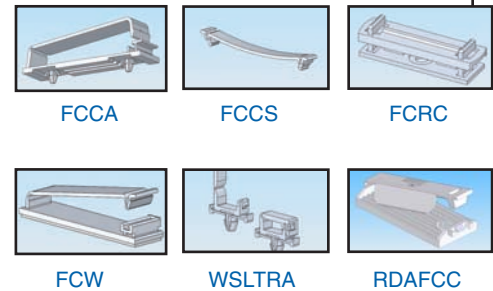
MOUNTING HOLE DETAIL



### Markets

- Telecommunications
- Appliance
- Medical Equipment
- General Electronics
- Gaming

### Other Related Richco Product Solutions



<b>FCSE-1</b>
Mat'l: Nylon 6/6, RMS-01* Color: Natural
*Parts are available in UL94 V0 material by special order only. To order, add -19 to the end of the part number.