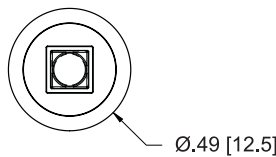


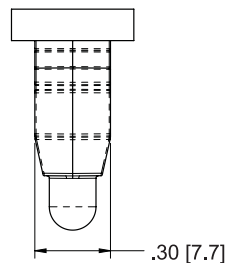
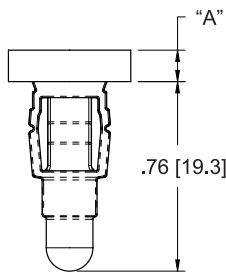
Introducing the *TFR*— Toggle Screw Grommet

Features and Benefits

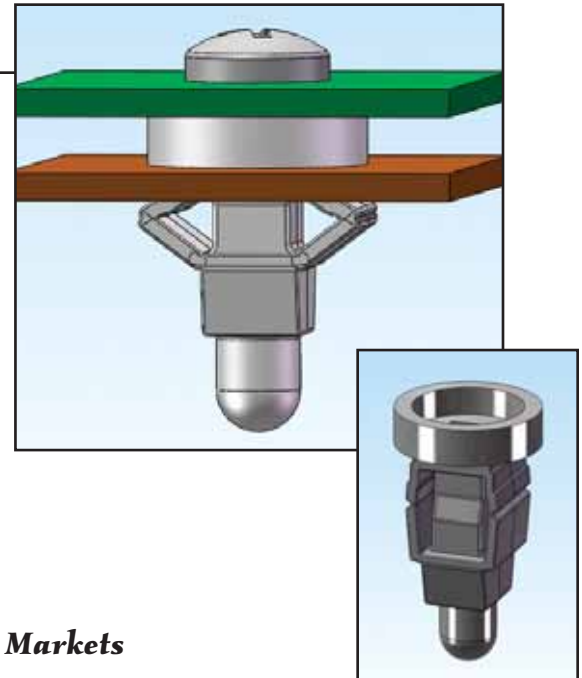
- Self threading screw is installed, the grommet expands and securely locks the screw and assembled parts in place
- Spreads load over a wide area
- Grommet legs are forced outward to help seal the mounting hole against dust and moisture
- Square hole mounting prevents rotation
- Parts are molded in natural color in durable UL94 V2 Nylon 6/6
- The part snaps in place first for ease of assembly and screw installation



MOUNTING HOLE:
.315±.004 [8±0.1] SQUARE HOLE
.020 - .110 [0.5 - 2.8] THICK PANEL



Material: UL94 V2 Nylon 6/6, RMS-01 Color: Natural	
Part Number	"A" ± 0.12 (0.3)
TFR-1	.031 (0.8)
TFR-2	.126 (3.2)
TFR-3	.189 (4.8)
Accepts Metal Self-Tapping Screw Size M4	



Markets

- Automotive
- Brown Goods
- White Goods
- Office Equipment
- Telecommunications Equipment
- Security Systems

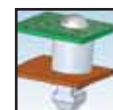
Other Related Richco Product Solutions



SRSG



EG



SN



MSNE