



*SERIES 80 ULTRAMINIATURE*  
**MIGHTY MOUSE**  
**CONNECTORS AND CABLES**

**LIGHTWEIGHT • HIGH-SPEED • INDUSTRY STANDARD**

APRIL 2014





SERIES 80  
MIGHTY MOUSE

# THE WORLD'S MOST ADVANCED AND MATURE HIGH-PERFORMANCE ULTRAMINIATURE CONNECTOR

*Constant, relentless innovation*



**MIGHTY  
MOUSE**

# Series 80 Mighty Mouse Connectors and Cables Table of Contents



<b>Contacts, Crimp Tools and Assembly Tools</b>		Product Selection Guide.....A-1 Size #23 Contacts .....A-3 Size #20HD Contacts .....A-6 Size #12,#16, #20 Contacts.....A-7 Size #12, #16, Coax Contacts.....A-8 Pneumatic Contacts .....A-10 Sealing Plugs.....A-10	Crimp Tools ..... A-11 Insertion/Removal Tools..... A-13 Contact Retention Tester ..... A-13 Band-Master ATS <sup>®</sup> Tools..... A-14 Jam Nut Tightening Tools..... A-15 Twisted Pair Termination to High Speed Mighty Mouse Instructions ..... A-17	<b>A</b>
<b>General Information and Reference</b>		Product Selection Guide.....B-1 Contact Arrangements.....B-2 Printed Circuit Board Layouts .....B-8 Torque Values.....B-39	Series 80 Product Spec .....B-40 Space Flight Information .....B-47 Modification Codes.....B-50 Material/Finish Codes.....B-51	<b>B</b>
<b>Series 800 Connectors</b> <i>UNF Threads</i>		Selection Guide.....C-1 Contact Arrangements.....C-2 General Information .....C-4 Plugs.....C-6 Crimp Receptacles .....C-8	PCB Receptacles ..... C-12 Right Angle PCB Recep..... C-15 Hermetic Receptacles ..... C-20 Bulkhead Feedthrough..... C-24 Cordsets ..... C-21	<b>C</b>
<b>Series 801 Connectors</b> <i>Rugged Double-Start ACME Threads</i>		Selection Guide.....D-1 Contact Arrangements.....D-2 General Information .....D-5 Plugs.....D-9 Receptacles.....D-15 PCB Receptacles.....D-20	Right Angle PCB Recep.....D-23 Square Flange PCB Recep.....D-28 Hermetic Receptacles .....D-30 Bulk Head Feedthrough.....D-34 Connector Savers.....D-36 Cordsets .....D-38	<b>D</b>
<b>Series 802 Connectors</b> <i>"AquaMouse" 3500 PSI</i>		Selection Guide.....E-1 Contact Arrangements.....E-2 General Information .....E-5 Plugs .....E-6	Receptacles.....E-8 PCB Receptacle.....E-12 Hermetic Receptacles .....E-16 Bulkhead Feedthrough.....E-21 Cordsets .....E-23	<b>E</b>
<b>Series 803 Connectors</b> <i>Bayonet</i>		Selection Guide.....F-1 Contact Arrangements.....F-2 General Information .....F-4 Plugs .....F-6 Receptacles.....F-8	PCB Receptacles .....F-12 Hermetic Receptacles .....F-14 Bulkhead Feedthrough.....F-16 Cordsets .....F-18	<b>F</b>
<b>Series 804 Connectors</b> <i>Push-Pull</i>		Selection Guide.....G-1 Contact Arrangements.....G-2 General Information .....G-6 Plugs .....G-7 Receptacles.....G-12 PCB Receptacle.....G-20 Hermetic Receptacles .....G-23	Bulkhead Feedthrough.....G-26 Cordsets .....G-28 Cordset Hub.....G-33 Tacticle Patch Cable .....G-34 Radio Connectors .....G-38 USB Flash Drive.....G-39 Series 824 Locking Push/Pull.....G-34	<b>G</b>
<b>Series 805 Connectors</b> <i>Triple-Start ACME Threads</i>		Selection Guide.....H-1 Contact Arrangements.....H-2 General Information .....H-7 Plugs .....H-8 Receptacles.....H-13 PCB Receptacles.....H-18 Hermetic Receptacles .....H-22	Square Flange PCB Recep.....H-27 Right Angle PCB Recep.....H-29 Cat-Master Plug/Recep.....H-33 Bulkhead Feedthrough.....H-39 Connector Savers.....H-41 Cordsets .....H-43	<b>H</b>
<b>Filtered Connectors</b> <i>Planar Array Low-Pass</i>		Selection Guide.....J-1 Contact Arrangements.....J-3 PCB Footprints.....J-4 Series 801 Filtered Receptacles.....J-8	Series 804 Filtered Receptacles ..... J-14 Series 805 Filtered Receptacles ..... J-16 Series 805 Filtered Adapter..... J-20 Series 800 Filtered Receptacles ..... J-22	<b>J</b>



## Series 80 Mighty Mouse Connectors and Cables Table of Contents

K

### New Size #8 Contact Arrangements *For Series 801 and 805 Connectors*



Selection Guide.....	K-1
General Information.....	K-2
Contact Arrangements.....	K-5
PCB Footprints.....	K-6
Series 801 Plug and Receptacle.....	K-9
Series 805 Plug and Receptacle.....	K-16
#8 Power Contacts.....	K-22

75 Ohm Coax Contacts.....	K-24
50 Ohm Coax Contacts.....	K-26
Quadrx Contacts.....	K-28
Concentric Twinax Contacts.....	K-30
Differential Twinax Contacts.....	K-32
M39029 Coax Contacts.....	K-34

L

### Series 811 Connectors *High Density*



Selection Guide.....	L-1
General Information.....	L-2
Prewired In-Line Plugs.....	L-6
Prewired In-Line Receptacles.....	L-7
Square Flange Pigtail Receptacles.....	L-8

Jam Nut Pigtail Receptacles.....	L-10
Jam Nut PCB Receptacles.....	L-12
Square Flange PCB Receptacles.....	L-13
Harsh Environment Cordsets.....	L-15

M

### Series 80 Connectors *With Stinger Contacts*



Selection Guide.....	M-1
General Information.....	M-2
Insert Arrangements.....	M-3
Series 841 Plug.....	M-4
Series 841 Receptacle.....	M-6

Series 844 Plug.....	M-10
Series 844 Receptacle.....	M-12
Series 845 Plug.....	M-16
Series 845 Receptacle.....	M-18
Series 80 Stinger™ Contact Tools.....	M-23

N

### Series 80 Overview: *Mighty Mouse High-Speed, High-Bandwidth Interconnect Solutions*



High Speed Introduction.....	N-1
High Speed Connectors.....	N-4
Product Overview.....	N-6
Contacts and Tools.....	N-10

P

### Series 801 High-Speed Connectors *Double-Start Acme Threads*



Selection Guide.....	P-1
General Information.....	P-2
Plugs.....	P-4

Receptacles.....	P-6
PCB Receptacles.....	P-10
Cordsets.....	P-13

Q

### Series 804 High-Speed Connectors *Quick-Disconnect Push-Pull Mighty Mouse*



Selection Guide.....	Q-1
General Information.....	Q-2
Plugs.....	Q-4

Crimp Receptacles.....	Q-6
PCB Receptacles.....	Q-10
Cordsets.....	Q-12

R

### Series 805 High-Speed Connectors *Triple-Start Acme Threads*



Selection Guide.....	R-1
General Information.....	R-2
Plugs.....	R-4
Receptacles.....	R-6
Cordsets.....	R-11

S

### Ultra-Twinax Size #12 *Low-Impedance High-Speed Twinax*



Selection Guide.....	S-1
General Information.....	S-2
Contacts.....	S-4

Plugs.....	S-10
In-Line Receptacles.....	S-12
PCB Receptacles.....	S-16

T

### SuperSeal Mighty Mouse Series 801 *Micro USB Connectors*



Selection Guide.....	T-1
General Information.....	T-2
Micro "B" USB Plug.....	T-5
Micro "AB" USB Receptacle.....	T-6
Front & Rear Micro "B" USB Plug.....	T-7

Front and Rear Micro "AB" USB Receptacles.....	T-8
Sav-Con with Micro "B" USB Plug and Micro "AB" USB Receptacle.....	T-9

# Series 80 Mighty Mouse Connectors and Cables Table of Contents



## Cordsets for High-Speed Differential Impedance



Selection Guide .....U-1  
 General Information .....U-2  
 Connector Selection Guide.....U-3  
 How To Order Cordsets.....U-4  
 Cable and Jacket Specifications.....U-5

Strain Relief Specifications .....U-6  
 Wiring Schematics .....U-8  
 USB 2.0 Cordsets ..... U-11  
 RJ-45 Ethernet Cordsets ..... U-13

U

## High-Speed Cable *Optimized for High-Speed Protocols*



Selection Guide..... V-1  
 General Information ..... V-2  
 Parallel Pair Data Cable..... V-3  
 Tactical Cat 5e Ethernet Cable ..... V-4  
 Avionic Cat 6e Ethernet Cable ..... V-5

Cat 7 Ethernet Cable ..... V-6  
 USB 2.0 Cable ..... V-7  
 USB 3.0 Cable ..... V-8  
 IEEE 13394 Cable..... V-9  
 SATA/eSATA Cable ..... V-10

V

## Fiber Optic Mighty Mouse *For Series 801, 802 and 805*



Selection Guide.....W-1  
 Contact Information .....W-2  
 General Information .....W-4  
 Fiber Optic Termini.....W-5  
 Series 801 Plug ..... W-11

Series 801 Receptacle ..... W-13  
 Series 802 Plug ..... W-18  
 Series 802 Receptacle ..... W-20  
 Series 805 Plug ..... W-24  
 Series 805 Receptacle ..... W-26

W

## Series 80 Accessories



Selection Guide..... X-1  
 Accessory Thread Table ..... X-2  
 Heat-Shrinkable Boots..... X-3  
 Jam and Hex Nuts ..... X-10  
 Gaskets and O-Rings..... X-12  
 Mounting Flange..... X-18

Shorting Caps.....X-19  
 Strain Relief Clamps .....X-22  
 EMI Adapters .....X-25  
 Backshells .....X-29  
 Protective Covers.....X-41  
 Dummy Receptacles.....X-73

X

## Part Number Index



Index

...and don't miss this late-breaking new product innovation



page G-40

Gold plated crimp contacts for #12 to #30 AWG wire

## Series 824 Mighty Mouse LOCKING PUSH-PULL CONNECTORS

Introducing the new Mighty Mouse Series 824 Locking Push-Pull Connector: all the familiar size, weight and performance advantages of the industry-standard Mighty Mouse 804 push-pull connector with a revolutionary low-profile locking coupling mechanism.

- Fast mating, locking quick-release coupling mechanism
- 31 insert arrangements
- Integrated cable shield termination platform

Specifications	
Current Rating	#23 - 5 AMPS, #16 - 13 A., #12 - 23 A.
Dielectric Withstanding Voltage	#23 - 500 VAC RMS, #12 and #16 - 1800 VAC RMS
Insulation Resistance	5000 megohms minimum
Operating Temperature	-65° C to +150° C
Shock / Vibration	100 g / 16 g
Shell-to-Shell Resistance, Nickel Plated	2 milliohms maximum
Durability	2000 mating cycles
Breakaway Force	50 pounds minimum



## Series 80 Mighty Mouse Performance and Specifications Review

# MIGHTY MOUSE THE NEW HIGH-PERFORMANCE STANDARD

Glenair has recognized a growing need in tactical military, aerospace and specialty industrial markets for a connector series that mimics the electrical and mechanical performance of popular mil-standard connectors, such as MIL-DTL-38999, but in a smaller and lighter package. The Series 80 Mighty Mouse Connector is perfectly suited for the wide range of power and signal applications that depend on reliable environmental and mechanical performance and electromagnetic compatibility as well as high-speed applications such as gigabit Ethernet. Six different coupling styles are offered. Size #23 crimp contacts are standard, set on .076" centers. At just half the size and weight of D38999, the high-performance Mighty Mouse is now specified on hundreds of mission-critical interconnect applications worldwide and has become the de facto high-performance connector solution for many former users of D38999.

Glenair developed the Series 80 Mighty Mouse over a dozen years ago as a smaller and lighter version of D38999. Our goal was to radically reduce the size and weight of this flight-critical connector while maintaining its core performance features. Our miniaturization work took place in three key areas beginning with reduction of the shell package size and the integration of banding and shrink boot accessory functions. The integration of the backshell not only saves size and weight, it reduces cost and complexity.

Next, we designed and qualified our own SAE-AS39029 contacts based on the shorter "Series II" family of signal, data and specialty contacts. We also developed an extensive range of innovative short contacts including fiber optic and pneumatic applications. The development of our own range of shorter, Series II type contacts was a key step in gearing Mighty Mouse to meet any and all interconnection



**Mighty Mouse vs. 38999:  
Half the Size and Weight**



**Mighty Mouse: the most popular connector on Mars**

challenges. The graphic on the next page shows just some of these high-performance contacts—from standard 39029 crimp signal and power contacts to our own unique shielded differential Twinax contact, miniaturized fiber optic contacts and highly specialized gas and pneumatic contact solutions.

Finally, we re-designed the sub-miniature D38999 insert arrangements to a higher density, ultra-miniature standard. Legacy circular connectors can be grouped into standard, miniature and subminiature families. These groupings reflect the packaging density and the contact size, and also represent the evolution of the connectors over the past 70 years. The standard group includes the venerable 5015's (including Glenair IT/ITS connectors) as well as the 28840 shipboard connector (which we also supply). Miniature circulars include the 26482 (Glenair IPT series), and the 26500 and 83723 which are still popularly specified in both military and commercial aerospace applications. The D38999 series, the only significant subminiature circular, has been a standard choice for high-performance systems for decades and Glenair supplies these connectors in every class including QPL hermetic versions, as well as environmentals, filters, fiber optics and more.

The Series 80 Mighty Mouse represents the evolution of circular technology beyond the 38999 sub-miniature format—a technology which is absolutely unmatched in today's interconnect industry. Glenair is the unchallenged

# Series 80 Mighty Mouse Performance and Specifications Review



## Mighty Mouse contact sampler



design and market leader for reduced package size and weight connectors of this type and style. All Series 80 Mighty Mouse versions use #23 contacts on .076 inch (1.9 mm) spacing as core contact technology, and we have extended this model with special-purpose rectangular, modular and (even) higher-density connectors.

This then is the benchmark we have established with Mighty Mouse: Interconnect systems that are so small and light that they are weighed in tenths of grams while still meeting the performance specifications of even the most mission-critical of applications. But the benefits of connector package size reduction are not limited to the connector itself, as we will discuss in the following paragraphs.

### Large format connectors: The hidden costs

Let's look at some of the hidden costs of large format/weight connectors, starting at the board. Obviously, large form factor I/O-to-board connectors, such as the array of D38999 Series III connectors shown to the right, force an expansion of board real estate. Larger boards in turn lead to larger form factor boxes, panels and enclosures. And of course larger gage wires and lower density contact arrangements lead to fatter and heavier interconnecting cables, including increases in accessory hardware size, and the amount of shielding and jacketing material required.

The final result is that electronic systems pay a huge penalty in size and weight. Obviously this is not a problem in every application. But with the lower power and signal voltage requirements of today's electronic systems, the opportunity is ripe to design systems with reduced size circuits and connectors.

The graphic says it all. Small connectors, small wires and contacts, higher density contact arrangements, integrated accessory functions and the many other design advancements of the Series 80 Mighty Mouse translate to smaller and lighter boards, boxes, cables and systems.



**Mighty Mouse means smaller and lighter boxes, boards and cables compared to MIL-DTL-38999**

### Mighty Mouse Mechanical Performance: Equal to D38999

#### Mechanical

Nothing illustrates the performance potential of the Series 80 Mighty Mouse better than a cross-sectional view of the ultraminiature connector's architecture. Note that this plug and receptacle pair on page 7 share many of the same design features as D38999. Shells are precision machined and are designed for keyed mating and shell-to-shell bottoming. Sealing features include cork-and-bottle interfacial seals, O-ring seals and robust grommet wire seals. In the mated condition, the connectors are sealed IAW MIL-STD-810, method 512, 1 meter for 1 hour, and pass rigorous altitude immersion requirements IAW MIL-DTL-38999. Two-piece dielectrics and copper contact retention clips are modeled after D38999 and, together with the shell-to-shell bottoming, provide for equal levels of grounding and shell-to-shell resistance as D38999. Contacts, as we mentioned before, are either QPL AS39029 signal contacts, such as the size 23 pin and socket contacts shown in the diagram, or enhanced-durability contacts designed IAW AS39029 requirements (in the case of our fiber optic solutions and proprietary shielded contacts). Note that Mighty Mouse offers either an integrated band porch or accessory threads as a standard feature of the design.



## Series 80 Mighty Mouse Performance and Specifications Review

Mechanical Perf. Feature/Connector Class	MIL-DTL-38999	Mighty Mouse
Full Mate Visual Indicator	Yes	Yes
Integrated Contact Retention System	Yes	Yes
Interfacial and Grommet Seals	Yes	Yes
Fully Shielded	Yes	Yes
Lightning Strike	Yes	Yes
Shell-to-Shell Bottoming	Yes	Yes
Threaded/Toothed Accessory Interface	Yes	Yes
Full Range of Assembly Tools	Yes	Yes
Environmental	Yes	Yes
Space-Grade	Yes	Yes
Hermetic	Yes	Yes
EMI Filter	Yes	Yes
3500 PSI Submersible	No	Yes
Ground Plane	Yes	Yes
ESD	Yes	Yes
Lanyard Release	Yes	Yes
Bulkhead Feed-Thru	Yes	Yes
Sav-Con® Connector Saver	Yes	Yes

The table shown above lists some of the core mechanical features of the Mighty Mouse, again in lock-step with D38999. Note that all the desirable features of the 38999 are duplicated in the Mighty Mouse: from a full-mate visual indicator, to its adequate mass in resistance to lightning strike.

### Service Class

You will see the term Service Class still used in many connector catalogs. This pertains to the environmental parameters in which the connector will operate successfully. For example, service class defines the level of environmental sealing, or chemical resistance, or the ability to withstand vibration, or corrosion resistance or operating temperature. Some examples from 38999 Series III: class G for space grade, class H for hermetic, class K for firewall. These class grades are all fully supported and qualified in the Series 80 Mighty Mouse. For a detailed report on all these benchmarks, please see Section B of this catalog, where a complete performance specification is supplied. In addition, we are pleased to offer our Mighty Mouse customers detailed test reports on any aspect of the connector's performance. As we like to point out, Mighty Mouse is a mature connector series with over twelve years of successful deployment in high-reliability applications. And we have the testing to prove it.

See the table above for a little more detail on connector classes. Note that Mighty Mouse again stacks up well against D38999 and even surpasses thirty-eight-nine in the category of high-pressure submersible interconnects. From standard environmentals to space-grade versions, hermetics, EMI filters, ground plane designs and more, Mighty Mouse delivers every class of connector available in D38999. And

these are not just special capabilities available with long-lead times. These products are all available as standard catalog offerings, with thousands of popular part numbers available for immediate same-day shipment.

### Wire Termination

Turning to wire termination, Mighty Mouse is again the equal of its larger and heavier role-model. We offer straight and right-angle PC tail terminations, single and double-ended cordsets (which by the way are available as quick-turn catalog items, even including high-speed variants, shielded and overmolded versions), solder cup, and of course crimp. We even offer flex terminations and back-to-back jumpers.

### Plating

Glennair is a major innovator in material and plating technologies, particularly for conductive and RoHS (cadmium-free) applications. Some of the more popular Glennair material and plating solutions include plated composites, RoHS compliant Nickel-PTFE and electroless-nickel—all available for Mighty Mouse. Glennair has mastered the difficult challenges of fielding plated specialty metal parts in harsh and corrosive applications and can offer standard Mil-qualified formulas as well as unique solutions for special applications. All our materials are sourced in accordance with DFARS 252.225-7014 Preference for domestic specialty metals requirements.

## Mighty Mouse Performance: Superior to D38999

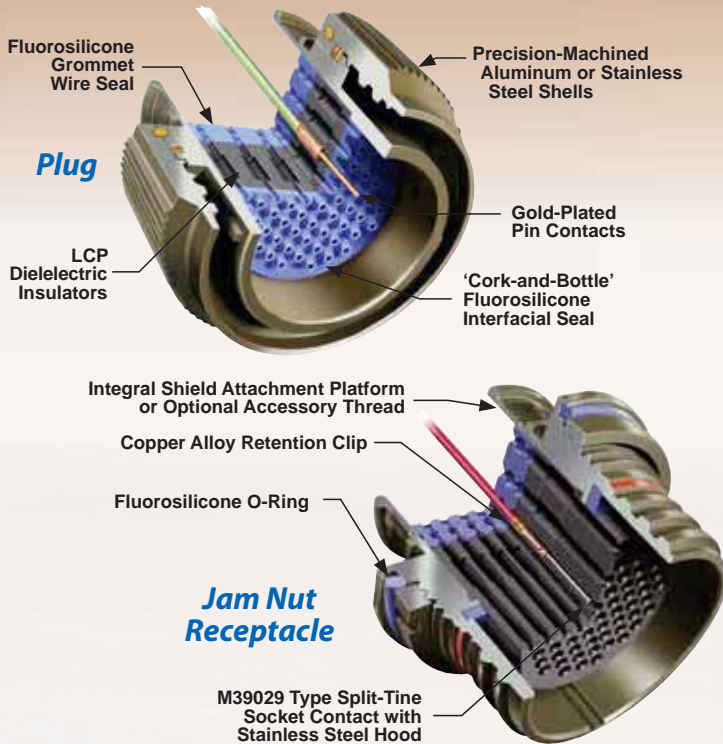
We've already offered quite a few facts demonstrating how Mighty Mouse, even with its smaller size and weight, is equal to the performance standards set by MIL-DTL-38999. So next we'll take a look at some of the ways this ultraminiature connector actually outperforms 38999.

### More Shell Sizes & Contact Arrangements

First off, Mighty Mouse offers a greater range of shell sizes and contact counts for more efficient matching of circuit requirements to available shell sizes and insert arrangements. This, combined with the broader range of coupling styles offered by Mighty Mouse, makes the connector series far more versatile than 38999. In other words, users can standardize on Mighty Mouse more readily than 38999—throughout their entire range of application requirements—without having to turn to a different series with new contact termination tooling, assembly procedures, quality standards and so on to meet unique or unanticipated circuit requirements.



# Series 80 Mighty Mouse Performance and Specifications Review



## More Wire Sizes Supported

Mighty Mouse also offers broader wire support, from size 22 to 28; turnkey cordsets—right out of the catalog with short leadtimes and guaranteed quality; Integrated band porch or accessory thread interface; Split shell Cobra connectors (more on this later) for ultra-low-profile wire routing; high speed PFA Teflon inserts for optimized high-speed performance; a compatible rectangular series—Micro-Crimp—that features the exact same contacts, density and performance as Mighty Mouse; and last but not least, the performance benefits of lower harmonic shock susceptibility that comes from the reduced mass of Mighty Mouse compared to 38999.

## Six Mating Styles

Turning to mating technology, MIL-DTL-38999 offers four mating styles: two bayonets, the popular triple-start threaded and the rarely used breach-lock series IV version. Mighty Mouse offers six mating technologies: The series 800 UNF thread version designed for use in small instruments; the Series 801—our most popular style—that combines small size with rapid double-start stub acme mating; The threaded-coupling Aqua Mouse with its high-pressure piston seal for 3500 PSI applications; the quarter-turn-to-full-mate series 803 bayonet; the Quick disconnect series 804 push-pull; and the Series 805 with triple-start coupling and ratcheting anti-decoupling mechanism—an exact work-alike to the series III 38999—of course with reduced size and weight as the principle differentiator.

## A Broader Range of Contacts

Both 38999 and Mighty Mouse offer an incredibly broad range of signal, data, power and specialty contacts. But Mighty Mouse once again outstrips 38999 with a broader range of contact sizes and types including layouts with size 23, 20, 20HD, 16, 12, and size 8 contacts and cavities. Mighty Mouse also offers a broader range of hybrid layouts and more sizes and types of fiber optic termini, pneumatic termini and, opto-electric contacts, low-insertion force contacts and more. In fact, no other connector series in our industry supports as diverse a range of contact technologies as Mighty Mouse.

## Mighty Mouse Rectangular Version

The Series 79 Micro-Crimp takes all the attributes of the Mighty Mouse and packages them up in a high-performance rectangular.

Like the Mighty Mouse, the Micro-Crimp connector features crimp, rear-release size #23 contacts on .075 inch (1.9 mm) spacing, as well as size #12 and #16 power and coaxial crimp contacts in a range of hybrid layouts. Available in 29 insert arrangements, Micro-Crimp provides superior EMI shielding and improved environmental sealing compared to M24308 D-sub connectors. Micro-Crimp plugs include an EMI spring made of gold plated stainless steel or copper alloy. Right angle PCB receptacles feature an aluminum alloy EMI shroud.

Micro-Crimp meets the shielding effectiveness requirements of EIA 364-66, and fluorosilicone interfacial seals and grommets, and watertight EMI gaskets for panel mounts ensure adherence to MIL-STD-810F for 1 meter immersion for 1 hour. The Series 79 Micro-Crimp is ideally suited for blind-mate rack and panel and/or module-to-chassis applications and is a perfect complement to Mighty Mouse in systems that require both high-density, stackable connectors as well as circulars for ease of mating.

## Constant, Relentless Innovation

Another strength of Mighty Mouse compared to D38999 is the relentless innovation that has brought the series to a point where it now outstrips the series in versatility and application. Glenair also offers a range of series extensions including high-speed, high-density, USB equipped, and fiber-optic variants. High-quality documentation, including performance specifications and comprehensive test reports are available for every solution. Complete information is available in this catalog, and at [www.glenair.com](http://www.glenair.com).



## Series 80 Mighty Mouse Standard Series Discrete Connector Offerings

The Series 80 Mighty Mouse Connector is designed for high-reliability commercial and aerospace/defense interconnect applications that require both robust environmental/EMI performance and reduced size and weight. The Series 80 Mighty Mouse Connector offers comparable performance to MIL-DTL-38999 Series interconnects with up to 71% weight and 52% size savings for similar contact layouts. The six versions of the product offer a variety of styles and features to suit just about any application.

### Series 800







### Series 801



Description	Original Mighty Mouse with UNF Threads	Double-Start ACME Thread
<b>Notes</b>	A general purpose connector for high-speed Ethernet switches, tactical equipment and instrumentation.	More rugged keys and threads compared to Series 800. Faster mating, slightly larger than Series 800.
<b>Number of Contacts</b>	1 to 37	1 to 130
<b>Coupling</b>	Threaded Coupling with 4 ½ Turns to Full Mate	Threaded Coupling with 1 ½ Turns to Full Mate
<b>Water Immersion, Mated</b>	MIL-STD-810 Method 512 1 Meter for 1 Hour	MIL-STD-810 Method 512 1 Meter for 1 Hour
<b>EMI Shielding</b>	Good	Good
<b>Vibration and Shock</b>	37 g's Random Vibration; 300 g's Shock	37 g's Random Vibration; 300 g's Shock
<b>Mating Cycles</b>	2000 Cycles	2000 Cycles
<b>Electrical Performance</b>	#12: 23 Amp, 1800 VAC #16: 13 Amp, 1800 VAC #20HD: 7.5 Amp, 1000 VAC #23: 5 Amp, 750 VAC	#12: 23 Amp, 1800 VAC #16: 13 Amp, 1800 VAC #20HD: 7.5 Amp, 1000 VAC #23: 5 Amp, 750 VAC
<b>Proven Performance Applications</b>	Commercial air frame sensors; UAV telemetry; Tactical computers; field radios	Military air frame; Dismounted soldier; Tactical ground weaponry; Avionic (FLIR) systems

**Series 80 Mighty Mouse  
Standard Series  
Discrete Connector Offerings**



Series 802	Series 803	Series 804	Series 805
			
<b>AquaMouse™ 3500 PSI</b>	<b>Bayonet</b>	<b>Push-Pull</b>	<b>Triple-Start ACME Thread</b>
Rugged stainless steel, resists chemicals. For geophysical and underwater applications.	Quick-mating, light duty, general purpose. Not rated for immersion. 50 milliohms shell-to-shell resistance.	Breakaway connector for headsets and tactical equipment. Gold-plated spring for long mating life and superior EMI shielding.	"Clicker" ratchet mechanism and ground spring for military airframes and avionics boxes. Fast-mating, D38999 equivalent.
1 to 130	1 to 55	1 to 55	1 to 130
Threaded Coupling with UN Threads	Push-to-Mate, ¼ Turn to Lock	Quick-Disconnect	One Full Turn for Full Mate
1000 Feet Immersion in Salt Water	Splashproof	MIL-STD-810 Method 512 1 Meter for 1 Hour	MIL-STD-810 Method 512 1 Meter for 1 Hour
Good	Fair	Very Good	Excellent
37 g's Random Vibration; 300 g's Shock	37 g's Random Vibration; 300 g's Shock	37 g's Random Vibration; 300 g's Shock	37 g's Random Vibration; 300 g's Shock
2000 Cycles	250 Cycles Aluminum 2000 Cycles SST	2000 Cycles Aluminum 2000 Cycles SST	500 Cycles
#12: 23 Amp, 1800 VAC #16: 13 Amp, 1800 VAC #20HD: 7.5 Amp, 1000 VAC #23: 5 Amp, 750 VAC	#12: 23 Amp, 1800 VAC #16: 13 Amp, 1800 VAC #20HD: 7.5 Amp, 1000 VAC #23: 5 Amp, 750 VAC	#12: 23 Amp, 1800 VAC #16: 13 Amp, 1800 VAC #20HD: 7.5 Amp, 1000 VAC #23: 5 Amp, 750 VAC	#12: 23 Amp, 1800 VAC #16: 13 Amp, 1800 VAC #20HD: 7.5 Amp, 1000 VAC #23: 5 Amp, 750 VAC
Pipe line inspection equipment; Well logging; Amphibious vehicles; Unmanned submersibles	Soldier system radios; Autosport diagnostics; Airborne surveillance; Communication systems	Helmet breakaway connector; QDC battery; Missile applications; Weapon interconnects	Military air frame; Joint Strike Fighter



## Series 80 Mighty Mouse Special Application Series Discrete Connector Offerings

In addition to our standard Series 80 Mighty Mouse Connector offerings Glenair has introduced unique variations of the Mighty Mouse Series to meet the requirements of high speed, high density applications

### Size #8 Contact Arrangements



### High-Density



Description	For Use with Power or Shielded Size #8 Contacts	High-Density
<b>Notes</b>	Low-profile, lightweight connector compatible with size #8 Twinax, Quadrax and coax contacts as well as power	TwistPin contacts for increased circuit density and outstanding shock and vibration performance
<b>Number of Contacts</b>	1 to 5	7 to 42
<b>Coupling</b>	Threaded Coupling with: 801 - 1 ½ Turns to Full Mate 805 - 1 full turn to Full Mate	Threaded Coupling with 1 ½ Turns to Full Mate
<b>Water Immersion, Mated</b>	MIL-STD-810 Method 512 1 Meter for 1 Hour	MIL-STD-810 Method 512 1 Meter for 1 Hour
<b>EMI Shielding</b>	801 - Good 805 - Excellent	Good
<b>Vibration and Shock</b>	37 g's Random Vibration; 300 g's Shock	37 g's Random Vibration; 300 g's Shock
<b>Mating Cycles</b>	801 - 2000 Cycles 805 - 500 Cycles	2000 Cycles
<b>Electrical Performance</b>	#8 Power Contacts: 46 Amp #8 Coax: 75 Ohm; 1300 VAC #8 Quadrax: 100 Ohm #8 Con. Twinax: 1A; 500 VAC #8 Dif.Twinax: 100 Ohm	3 Amp, 600 VAC
<b>Proven Performance Applications</b>	Commercial and military avionics that use industry standard size #8 quadrax, coax, twinax and power contacts	Ultra high-density solution for soldier gear, unmanned systems and man-portable satellite uplink equipment

**Series 80 Mighty Mouse  
Special Application Series  
Discrete Connector Offerings**



High-Speed	Low Impedance Twinax	Micro USB	Ultra Low Profile
			
<b>High-Speed</b>	<b>#12 Ultra-Twinax</b>	<b>SuperSeal™</b>	<b>Cobra™</b>
Features DuPont Teflon® insulators for superior electrical performance in protocol specific applications like eSATA and USB 2.0/3.0	Size #12 Twinax contacts for ultra-high speed differential pair applications such as LVDS and CML	Superior sealing—IP68 when mated—for complete system protection against water, sand and dust	Superior sealing—IP68 when mated—for complete system protection against water, sand and dust
4 to 26	1 to 200	Micro USB	4 to 130
801 - Threaded Coupling with 1 ½ Turns to Full Mate 804 - Push/Pull	Threaded Coupling with 1 ½ Turns to Full Mate	Double-Start Stub Acme Threaded, QDC Push-Pull, and Triple-Start Threaded	801 - Double Start 804 - Push Pull Plug 805 - Triple Start Plug
MIL-STD-810 Method 512 1 Meter for 1 Hour	MIL-STD-810 Method 512 1 Meter for 1 Hour	MIL-STD-810 Method 512 1 Meter for 1 Hour	MIL-STD-810 Method 512 1 Meter for 1 Hour
801 - Good 804 - Very Good	Good	Good	Excellent
37 g's Random Vibration; 300 g's Shock	37 g's Random Vibration; 300 g's Shock	37 g's Random Vibration; 300 g's Shock	37 g's Random Vibration; 300 g's Shock
2000 Cycles	2000 Cycles	2000 Cycles	801 and 804: 2000 Cycles 805: 500 Cycles
#23: 5 Amp; 750 VAC	#12: 1 Amp, 1800 VAC	USB: Signal pins: 1 Amp Power pins: 1.8 Amp DWV: 600 VAC	#23: 5 Amp; 750 VAC
High-speed solution for databus frequencies above 1 GHz such as eSATA, 10GBASE-T and LVDS	High-speed differential impedance solution for multi-gigabit data rate applications such as CML	Ruggedized environmental solution for commercial grade micro USB integration in military and avionics gear	Ideal for soldier systems such as battery units, ruggedized laptops, command and communications equipment



## Series 80 Mighty Mouse Standard and High-Speed Series Cordsets and Jumpers

### Standard and High-Speed Cordsets

AVAILABLE FOR ALL MIGHTY MOUSE SERIES CONNECTORS

#### Harsh Environment Shielded Cordsets



Point-to-point cordsets with polyamide or high-temp rubber overmolding and shielded, jacketed cable for environmental applications

#### Ultraflexible Phantom Cordsets



Point-to-point cordsets with polyamide or high-temp rubber overmolding and flexible fabric overbraid for non-environmental applications

#### High Pressure AquaMouse Cordsets



Point-to-point cordsets with polyamide or high-temp rubber overmolding and shielded, jacketed cable for high-pressure applications

### Mighty Mouse Cordsets for Ethernet and other high-speed data applications



Native Mighty Mouse to Mighty Mouse point-to-point cordsets with polyamide or high-temp rubber overmolding and shielded, jacketed cable for high-speed applications

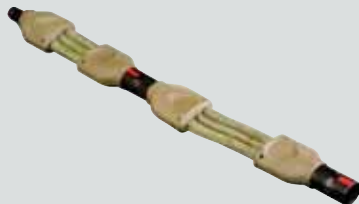


Mighty Mouse to commercial USB point-to-point cordsets with polyamide or high-temp rubber overmolding and shielded, jacketed cable for Universal Serial Bus applications



Mighty Mouse to commercial RJ45 point-to-point cordsets with polyamide or high-temp rubber overmolding and shielded, jacketed cable for Cat 5 and Cat 6 Ethernet applications

### Special application, point-to-point cordsets



Unique overmolding compounds, jacketing and overbraid materials available on a build-to-print basis



Incorporation of customer-supplied connectors, including audio frequency and non-standard power connectors



Ethernet jumpers incorporating Mighty Mouse connectors in place of non-rugged commercial connectors

# Series 80 Mighty Mouse Complex Cable Assemblies for Mission-Critical Applications



## Turnkey Complex and Multibranch Cable Assemblies

SAVE TIME, LABOR, AND ENGINEERING BANDWIDTH WITH GLENAIR MIGHTY MOUSE BUILD-TO-PRINT CABLES AND ASSEMBLIES

### Harsh Environment Overmolded

### Ultraflexible Fabric Overbraid



Overmolded breakout assembly featuring 100% Glenair content; a true turnkey solution



Non-environmental aircraft cable with integrated circuit breakout box and Mighty Mouse 804 push-pull connectors



Multibranch cable assembly with Glenair Mighty Mouse, HiPer-D M24308 and customer-supplied power connector



Heads-up display (HUD) cable with custom Series 804 Mighty Mouse and low-profile cable routing



Turnkey overmolded GPS cable assembly with integrated switch



Military jet jumper cable with user-serviceable backshells and fabric overbraid for mechanical protection



Environmental cable with Glenair Series 804 Mighty Mouse, Series 79 Micro-Crimp, and RF Coax terminations



Hybrid Mighty Mouse and Micro-D aircraft pilot helmet cable assembly



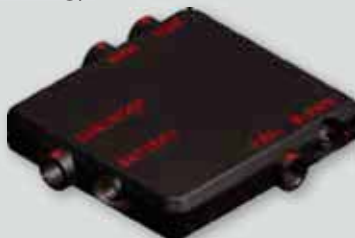
## Series 80 Mighty Mouse Integrated System and Subsystem Fabrication and Assembly

### Turnkey Engineering, Fabrication, and Assembly

#### MIGHTY MOUSE TECHNOLOGY AND GLENAIR DESIGN EXPERTISE TURNS COMPLEX INTERCONNECT CHALLENGES INTO TURNKEY SOLUTIONS

**G**lenair invented the ultra-small form factor Mighty Mouse used in hundreds of the most advanced land, sea, air and space interconnect applications. Today, our factory is positioned to meet every requirement for complex integrated systems—from cable and enclosure design to turnkey electronic system packaging. Glenair is your one-stop-shopping solution for integrated interconnect cabling and electronic equipment

Lightweight soldier system with ruggedized computing, radio communications, power supply and tactical USB/networking patchcords—all integrated with turnkey Glenair connector technology.



Ultra-flexible RF cable assembly, USB hub, and connectorized black box enclosure—tested, terminated, and ready for immediate application



USB tactical patchcord

AN/PRC series radio connector

Audio frequency 55116 type connector and cable



Turnkey integrated cable and EUD assembly featuring Mighty Mouse, 55116 audio and USB interconnects—all fabricated, assembled and tested by Glenair's Mighty Mouse integrated systems group

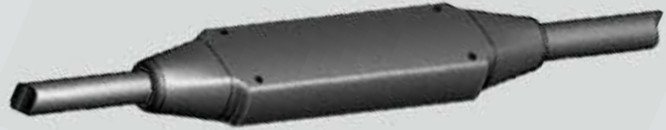




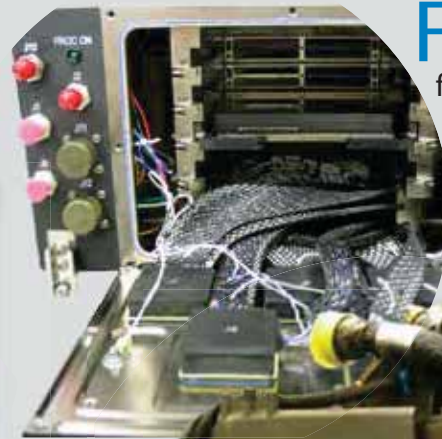
# Series 80 Mighty Mouse Integrated System and Subsystem Fabrication and Assembly



USB 3.0 Flash Drive Features 804 Series Push/Pull ruggedized interface available with 8GB, 16GB, 32GB or 64GB storage capacities. Designed for ground soldier data upload and download; IP67 sealed for harsh environments.



Ethernet-to-USB 2.0 and RS232-to-USB 2.0 Cordset with In-line overmolded conversion adapters. Unique Glenair solution to mixed-protocol network environments. Available for Mighty Mouse Series 801 thru 805 equipped cordsets.



From simple integration projects like the USB 3.0 flash drive shown above, to highly-complex integrated assemblies such as this helicopter FLIR package, Glenair has become the industry's design partner and turnkey fabrication and assembly supplier.



AN/PRC-148, AN/PRC-152, 152A, 154 and RF-7800T Radio Connectors with Series 804 Mighty Mouse Push/Pull Interface. Radio connector cables are available as cabled, un-cabled, and pigtail versions. Radio interface features spring-loaded contacts for reliable and mating and are 100% electrically tested for shorts, continuity and insulation resistance at 200 Megohms minimum.



Connectorized (Series 804 Mighty Mouse push-pull) PDA for ruggedized/tactical applications.



TOOLS AND  
CONTACTS

# MIGHTY MOUSE

The widest range of standard signal and special-purpose contacts available in *any* ultraminiature connector



**G**lenair Series 80 Mighty Mouse connectors are designed around our qualified SAE-AS39029 contacts based on the shorter "Series II" family of signal, data and specialty contacts. Glenair has also developed an extended range of innovative short contacts including fiber optic and pneumatic applications. The development of our own range of shorter, Series II type contacts was a key step in gearing Mighty Mouse to meet any interconnection challenge. All our contacts are supported with appropriate extraction and crimp tools—all typically in-stock and ready for immediate shipment.



Glenair, Inc.  
1211 Air Way  
Glendale, CA  
91201-2497  
818-247-6000  
sales@glenair.com  
www.glenair.com

**Series 80 Mighty Mouse  
Contacts and Tools**  
Table of Contents and Introduction



**PRODUCT SELECTION GUIDE**

**A**

<p><b>About Series 80 Contacts</b> Page A-3</p>	 <p><b>Contact Crimping Tools</b> Page A-11</p>
 <p><b>#23 Contacts</b> Page A-3</p>	 <p><b>Positioners for Crimp Tools</b> Page A-11</p>
 <p><b>#20HD Contacts</b> Page A-6</p>	 <p><b>Insertion/Extraction Tools</b> Page A-13</p>
 <p><b>#20, #16, #12 Contacts</b> Page A-7</p>	 <p><b>Contact Retention Tester</b> Page A-13</p>
 <p><b>#16 and #12 Coaxial Contacts</b> Page A-8</p>	 <p><b>Band-Master™ ATS Shield Band Installation Tool</b> Page A-14</p>
 <p><b>#12, 50 Ohm Matched Impedance Coaxial Contacts</b> Page A-9</p>	 <p><b>Band-Master™ ATS Shield Bands</b> Page A-14</p>
 <p><b>#12 Pneumatic Contacts</b> Page A-10</p>	 <p><b>Jam Nut Tightening Tools</b> Page A-15</p>
 <p><b>#23 - #20 Wire Adapter</b> Page A-6</p>	 <p><b>Connector Holding Tools</b> Page A-16</p>
 <p><b>Grommet Sealing Plugs</b> Page A-10</p>	 <p><b>Contact Installation Instructions</b> Page A-17</p>

Dimensions in Inches (millimeters) are subject to change without notice.



## Series 80 Mighty Mouse General Information

A

### About Series 80 Mighty Mouse Contacts

This section of the catalog contains ordering information for contacts. Series 80 Mighty Mouse connectors are supplied with a full complement of crimp contacts. Contacts are terminated to wire using special tools and are snapped into place by hand or with a hand-held insertion tool. Damaged or miswired contacts may be removed from the connector using special extraction tools.

Although the connectors are supplied with a full complement of contacts, extra contacts are commonly purchased as spares or to use for quality assurance purposes such as crimp tensile tests.

Coaxial contacts must be ordered separately. If your application requires coaxial contacts, select contact types "A" or "B" (pin or socket) in the connector part number. The connector will be supplied without contacts. Select the appropriate coaxial or pneumatic contact from this catalog.

Mighty Mouse contacts conform to the requirements of **Aerospace Standard AS39029**. This SAE specification defines the design, dimensions and performance of contacts used in aerospace grade electrical connectors. The "**general specification**" covers a variety of contacts including thermocouple, hermetic, coaxial and triaxial types.

The "**slash sheets**" contain dimensions and other information for specific types of contacts. Each contact is assigned a **Basic Identification Number (BIN)**, a non-significant three digit code corresponding to the color code on the contacts.

A **Qualified Products List (QPL)** identifies those manufacturers whose products have been verified to meet all requirements.

**Series 80 Size #23 and size #20HD contacts** conform to AS39029 requirements, but are not covered by a slash sheet. Size #20, #16 and size #12 contacts are standard AS39029 contacts.

### About Crimp Tools

Series 80 signal, power and coaxial contacts are crimped to wire using mil spec crimpers. **Military Specification MIL-DTL-22520** provides the aerospace/defense industry with a common set of rugged, reliable hand crimp tools. This specification controls the voltage drop and tensile strength of crimp terminations.

**Before ordering, check to see if you might already have these tools!** We have listed the military part number and the Daniels part number. Daniels Manufacturing Corporation is the leading manufacturer of these tools. However, size #23 and #20HD contacts require special positioners unique to the Mighty Mouse product line.

### Tip: Use the Tool Code to Find The Right Crimp Tool

**1** Find the contact part number in the catalog. Note the tool codes in the right column. These tool codes identify the crimp tools required to terminate the contact. Usually two tools are required—a crimp frame plus a positioner to locate the contact.

**2** Turn to the tool section starting on page A-11. Each crimp tool is identified with a letter code. Match the contact letter to the tool letter.

Contact Type	Wire Size	Material	Part Number	Ø A		Color Band	Tool Code
				In.	mm.		
Pin	#22 - #28	BeCu	<b>809-011</b>	.0335-.0355	0.851-0.902	None	A, C
Pin	#26 - #30	BeCu	<b>809-042</b>	.0229-.0245	0.582-0.622	Blue	A, D
Pin	#22 - #28	Alumel	<b>809-065A</b>	.0335-.0355	0.851-0.902	None	A, C
Pin	#22 - #28	Chromel	<b>809-065C</b>	.0335-.0355	0.851-0.902	None	A, C
Socket	#22 - #28	BeCu	<b>809-002</b>	.0335-.0355	0.851-0.902	None	A, C
Socket	#26 - #30	BeCu	<b>809-043</b>	.0229-.0245	0.582-0.622	Blue	A, D

**Miniature Adjustable Crimp Tools**

These crimp tools perform precision eight indent crimps for gas-tight wire terminations and excellent tensile strength. Adjustment wheel has 8 settings. Ratchet mechanism prevents improper crimps. Use with bayonet-type positioners. Check calibration with M22520/3 gages. Length is 6.75 inches, weight is approx. 10 oz.

**A** Standard M22520/2-01 crimper. Use with standard size #23 and #20HD Mighty Mouse contacts and with M39029/76 and /78 coaxial center contacts. Requires positioner, ordered separately.

**B** Special MH992 crimper used with 50 ohm matched impedance coaxial inner contacts. Requires positioner, ordered separately.

Figure	Part Number	Military Part Number	Daniels Part Number	Tool Code
<b>A</b>	<b>809-015</b>	M22520/2-01	AFM8	A
B	<b>809-128</b>	(none)	MH992	B

Dimensions in Inches (millimeters) are subject to change without notice.

# Series 80 Mighty Mouse Contacts and Tools

## Size #23 Removable Crimp Contacts



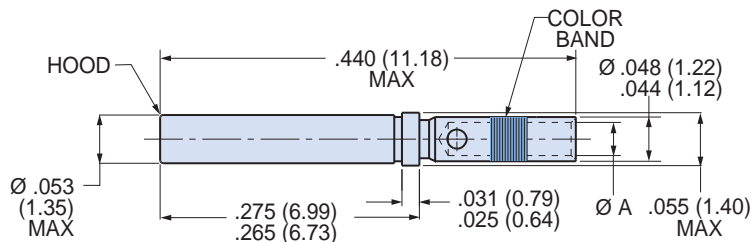
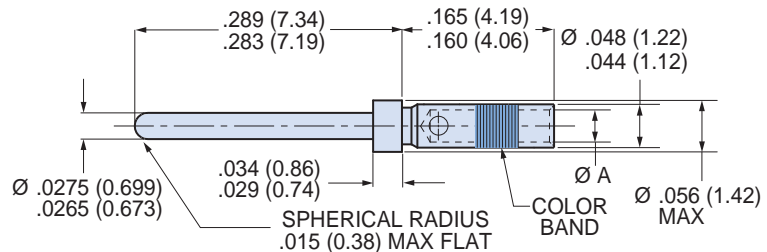
### Size #23 crimp contacts for AWG 22 to 30 gauge

Standard size #23 contacts accept #22 to #28 AWG wire. Choose "small bore" versions for #26 to #30 AWG wire. For thermocouple applications, specify alumel or chromel contacts. Contacts are bulk packaged. Terminate with standard M22520 crimper with special positioner.



#23 Pin Contact

#23 Socket Contact



#### NOTES

##### Material and Finish

- Beryllium copper alloy per ASTM B196 or B197, 50 microinches gold plated per ASTM B488 Type II Code C Class 1.25 over nickel plate per QQ-N-290 Class 2, 50-100 microinches.
- Thermocouple contacts: alumel or chromel alloy, unplated, per ANSI 96.1
- Socket contact hood: stainless steel, passivated per AMS-QQ-P-35.

##### Specifications

- Current Rating: 5 Amps maximum
- Voltage Drop (at 5 Amps and 25° C): 70 millivolts maximum
- Temperature Range: -65° to +175° C
- Socket Contact Minimum Separation Force: 0.5 ounces

##### Crimp Tools and Insertion/Removal Tools

- Crimper: 809-015
- Positioner: 809-005 (standard). Use P/N 809-057 for small bore contacts 809-042 and 809-043
- Standard Insertion/Removal Tool: 809-088

Size #23 Removable Crimp Contacts							
Contact Type	Wire Size	Material	Part Number	Ø A		Color Band	Tool Code
				In.	mm.		
Pin	#22 - #28	BeCu	809-001	.0335-.0355	0.851-0.902	None	A, C
Pin	#26 - #30	BeCu	809-042	.0229-.0245	0.582-0.622	Blue	A, D
Pin	#22 - #28	Alumel	809-065A	.0335-.0355	0.851-0.902	None	A, C
Pin	#22 - #28	Chromel	809-065C	.0335-.0355	0.851-0.902	None	A, C
Socket	#22 - #28	BeCu	809-002	.0335-.0355	0.851-0.902	None	A, C
Socket	#26 - #30	BeCu	809-043	.0229-.0245	0.582-0.622	Blue	A, D
Socket	#22 - #28	Alumel	809-066A	.0335-.0355	0.851-0.902	None	A, C
Socket	#22 - #28	Chromel	809-066C	.0335-.0355	0.851-0.902	None	A, C

Crimp Tensile Strength (Values are in pounds and are minimums.)					
Wire Gage	Silver or Tin Coated Copper Wire	Nickel Coated Copper Wire	Wire Gage	Silver or Tin Coated Copper Wire	Nickel Coated Copper Wire
#22	12	8	#28	3	2
#24	8	6	#30	1.5	1.5
#26	5	3			

Dimensions in Inches (millimeters) are subject to change without notice.



# Series 80 Mighty Mouse Contacts and Tools

## Size #23 Non-Removable Crimp Contacts

### Size #23 crimp contacts for AWG #20 wire (Non-Removable)

A

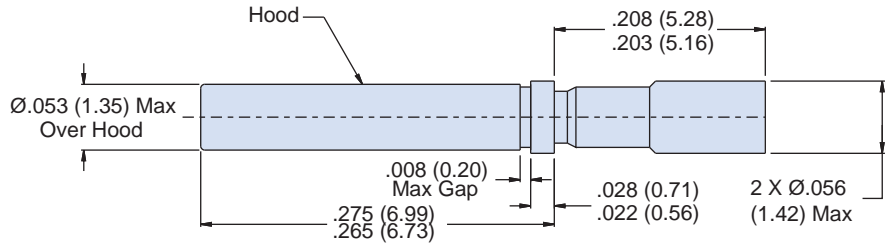
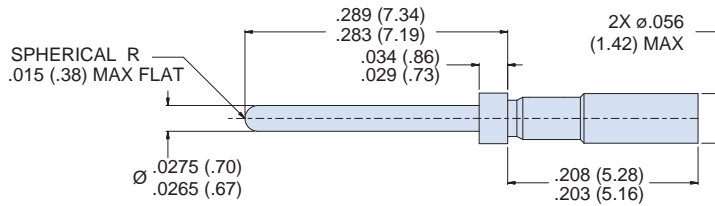


#23 Large Bore  
Pin Contact



#23 Small Bore  
Socket Contact

Standard size #23 contacts accept #22 to #28 AWG wire. Choose "large bore" versions for #20 to #22 AWG wire. Contacts are bulk packaged. Terminate with standard M22520 crimper with special positioner. **Note contacts are installed with standard size #23 insertion tools.**



#### NOTES

##### Material and Finish

- Contact: beryllium copper alloy per ASTM B 196 or ASTM B 197, 50 microinches gold plated per ASTM B488 Type II Code C Class 1.25 over nickel underplate
- Socket contact hood: stainless steel, passivated per AMS-QQ-P-35.

##### Specifications

- Current Rating: 5 Amps maximum
- Voltage Drop (at 5 Amps and 25° C): 70 millivolts maximum
- Temperature Range: -65° to + 175° C
- Socket Contact Minimum Separation Force: 0.5 ounces

##### Crimp Tools and Insertion/Removal Tools

- Crimper: 809-015
- Positioner: 809-301 (large bore).
- Standard Insertion/Removal Tool: 809-088

#### Size #23 Non-Removable Crimp Contacts

Contact Type	Wire Size	Material	Part Number	Color Band	Tool Code
Pin	#23 – #20	BeCu	809-299	None	A, S
Socket	#23 – #20	BeCu	809-300	None	A, S

#### Crimp Tensile Strength

(Values are in pounds and are minimums.)

Wire Gage	Axial Load
#20	20
#22	12

Dimensions in Inches (millimeters) are subject to change without notice.

# Series 80 Mighty Mouse Contacts and Tools

## Size #23 Crimp Contact Instructions



### How To Terminate, Install and Remove Size #23 Contacts

**1 Set Up Crimp Tool.** Install proper positioner into crimp tool. The label on the positioner shows the proper tool setting for each wire size. Turn the adjustment wheel to the correct setting.

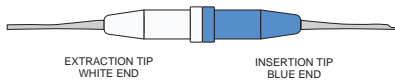
**2 Strip Wire.** Remove wire insulation, taking care to avoid nicking or cutting wire strands. Strip wire to length shown.

**3 Insert wire** into contact. The wire should be visible in the inspection hole.

**4 Insert contact into crimp tool as shown.** Make sure that the contact is fully inserted into the tool. Squeeze handle completely. The ratchet mechanism will not allow a partial crimp. Release handle and remove contact.

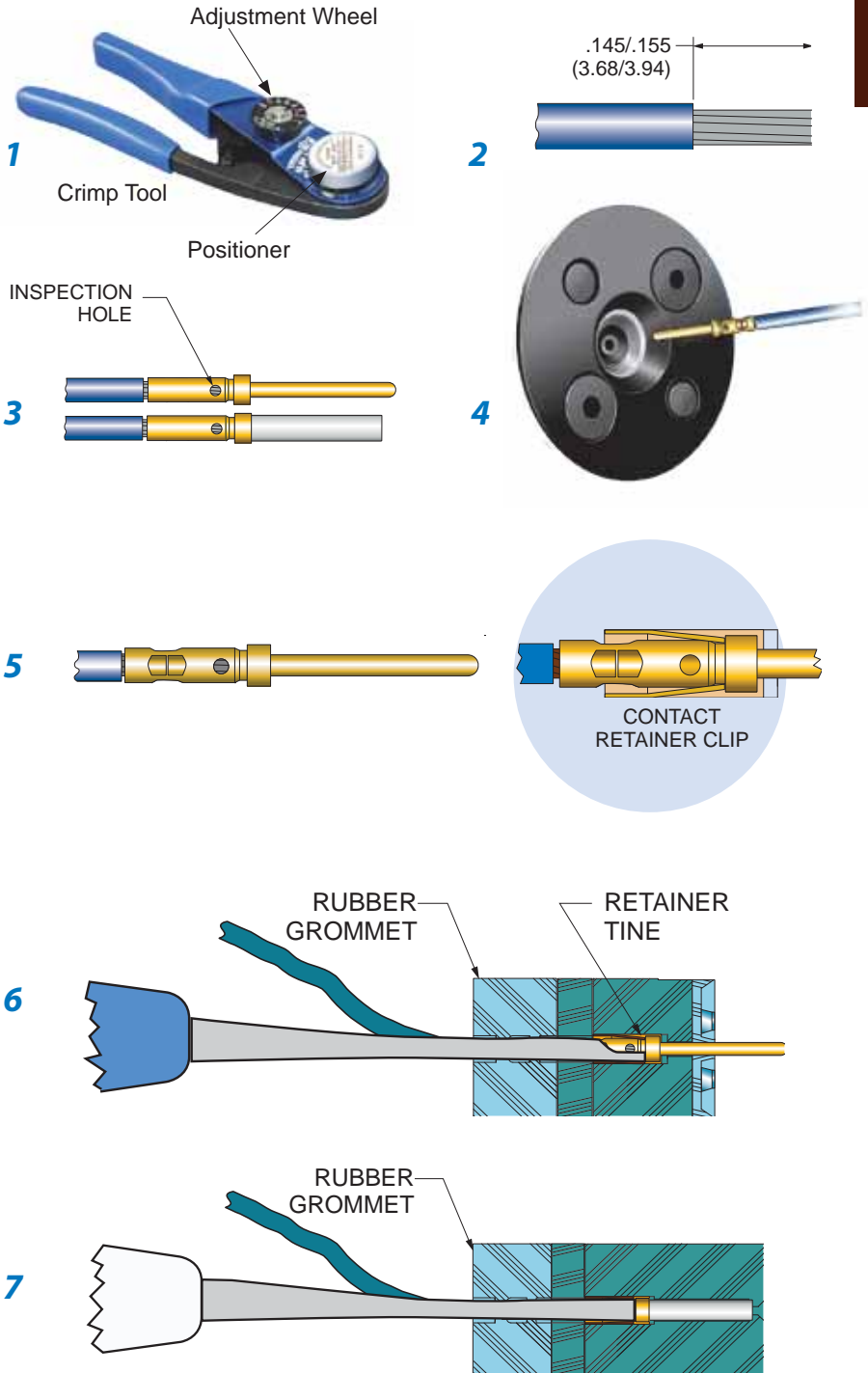
**5 Inspect crimped contact.** Wire should be fully inserted and the crimp should be uniform in appearance.

Insertion/Extraction Tool 809-088



**6 Install contact into connector.** Push the contact through the rear grommet until the contact locks into place. This can usually be done by hand without the need for a tool. If the wire gage is #26 or smaller, a tool is helpful. There are two techniques for installing contacts with a tool. One method is to push the contact in by hand, then use the tool to finish the insertion. The other method is to position the insertion tip against the contact shoulder, then insert the contact. Use insertion/extraction tool 809-088 to install contacts. Slide the wire into the groove on the blue end of the tool. Slide the tool tip up the contact until it touches the contact shoulder. **USE CARE TO AVOID DAMAGING THE CONNECTOR.**

**7 Contact Extraction.** Use tool 809-088. The white end is used for contact extraction. First, push the wire into the groove of the metal tip. Slide the tip of the tool into the connector. Push the tool into the connector cavity until the tip bottoms in the connector. Avoid wiggling or rocking the tip. This may damage the cavity. A straight push is best. Pinch the wire between your finger and the white plastic grip and slide the tool and contact out of the connector. **Wire insulation diameter greater than 0.045 inches (1.14mm) is too large to work properly with the extraction tool. connector damage is possible.**



Dimensions in Inches (millimeters) are subject to change without notice.



# Series 80 Mighty Mouse Contacts and Tools Adapters, #20HD Contacts

## Adapter for crimping #20 awg wire to size #23 contacts

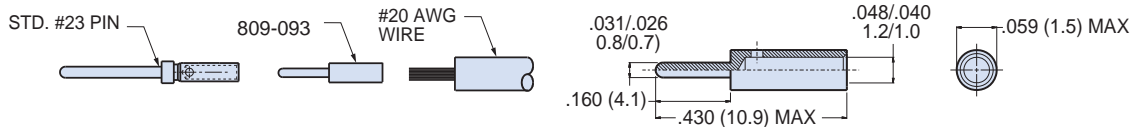
A



#20 AWG Wire Adapter

Size #22 AWG wire is the largest wire size that fits standard size 23 contacts. Use this adapter to attach larger #20 gage wire. First, crimp wire to adapter, then crimp the adapter into the size #23 contact. Adapters are made of tellurium copper alloy #1452, and are gold plated. Crimp with M22520/1-01 tool and 809-138 (Daniels TH653) positioner. These adapters cannot be removed from connectors.

Adapter Size	Wire Size	Part Number	Tool Code
#22-20	#20	<b>809-093</b>	J, L



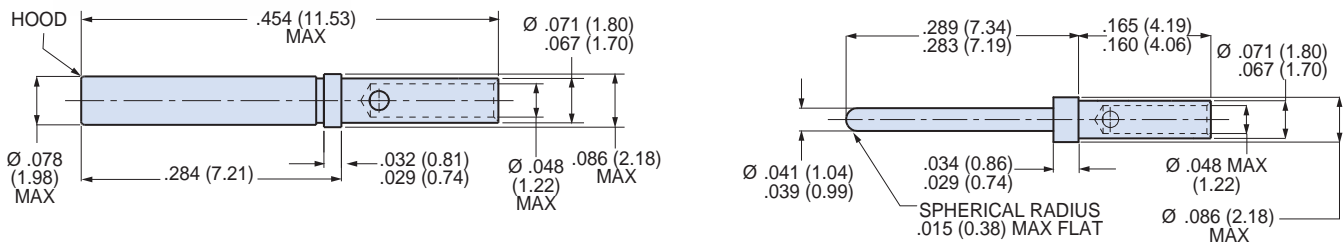
## Size #20HD crimp contacts



#20HD Pin Contact

High-density size #20HD contacts accept #20 to #24 AWG wire. At rated test current of 7.5 amps, the maximum voltage drop is 55 millivolts. Contacts are gold-plated copper alloy. Socket contacts feature stainless steel hoods to protect against probe damage. Contacts are bulk packaged. Terminate with M22520/2-01 crimper and 809-206 positioner.

#20HD Socket Contact



### NOTES

#### Material and Finish

- Beryllium copper alloy, 50 microinches gold plated per ASTM B488 Type II Code C Class 1.25 over nickel plate per QQ-N-290 Class 2, 50-100 microinches. Socket contact hood: stainless steel, passivated per AMS-QQ-P-35.

#### Specifications

- Current Rating: 7.5 Amps maximum
- Temperature Range: -65° to + 175° C
- Socket Contact Minimum Separation Force: 0.7 ounces

### Crimp Tensile Strength

Values are in pounds and are minimums.

Wire Gage	Silver or Tin Coated Copper Wire	Nickel Coated Copper Wire
#20	20	19
#22	12	8
#24	8	6

Contact Type	Wire Size	Part Number	Tool Code
Pin	#20 – #24	<b>809-204</b>	A, I
Socket	#20 – #24	<b>809-205</b>	A, I

Dimensions in Inches (millimeters) are subject to change without notice.



# Series 80 Mighty Mouse Contacts and Tools

## #20, #16, #12 Contacts



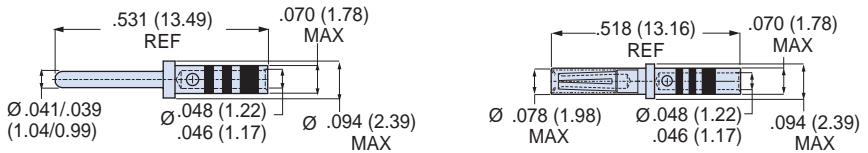
### Size #20 Crimp Contacts



#20 Socket Contact

Standard size #20 contacts accept #20 to #24 AWG wire. At rated test current of 7.5 amps, the maximum voltage drop is 55 millivolts. Contacts are gold-plated copper alloy. Socket contacts feature stainless steel hoods to protect against probe damage. Approved to SAE-AMS-39029. Contacts are bulk packaged. Terminate with M22520/1-01 crimper and M22520/1-04 positioner.

Contact Type	Wire Size	Part Number	Military Part Number	Color Band			Tool Code
				1st	2nd	3rd	
Pin	#20 - #24	<b>850-002-20-363</b>	M39029/58-363	Orange	Blue	Orange	J, K
Socket	#20 - #24	<b>850-003-20-357</b>	M39029/57-357	Orange	Green	Violet	J, K



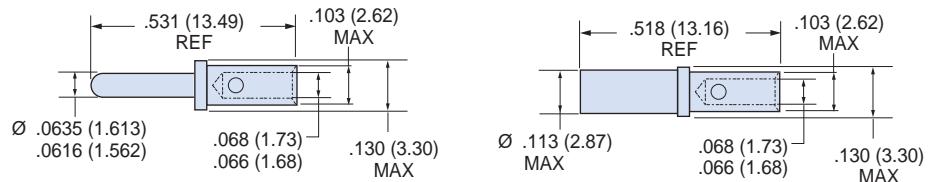
### Size #16 Crimp Contacts



#16 Socket Contact

Standard size #16 contacts accept #16 to #20 AWG wire. At rated test current of 13 amps, the maximum voltage drop is 74 millivolts. Contacts are gold-plated copper alloy. Socket contacts feature stainless steel hoods to protect against probe damage. Approved to SAE-AMS-39029. Contacts are bulk packaged. Terminate with M22520/1-01 crimper and M22520/1-04 positioner.

Contact Type	Wire Size	Part Number	Military Part Number	Color Band			Tool Code
				1st	2nd	3rd	
Pin	#16 - #20	<b>809-110</b>	M39029/58-364	Orange	Blue	Yellow	J, K
Socket	#16 - #20	<b>809-111</b>	M39029/57-358	Orange	Green	Gray	J, K



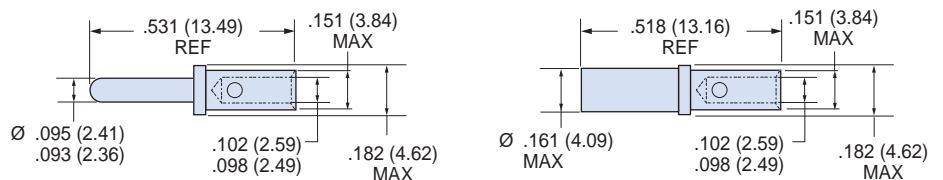
### Size #12 Crimp Contacts



#12 Socket Contact

Standard size #12 contacts accept #12 to #14 AWG wire. At rated test current of 23 amps, the maximum voltage drop is 63 millivolts. Contacts are gold-plated copper alloy. Socket contacts feature stainless steel hoods to protect against probe damage. Approved to SAE AS39029. Contacts are bulk packaged. Terminate with M22520/1-01 crimper and M22520/1-04 positioner.

Contact Type	Wire Size	Part Number	Military Part Number	Color Band			Tool Code
				1st	2nd	3rd	
Pin	#12 - #14	<b>809-112</b>	M39029/58-365	Orange	Blue	Green	J, K
Socket	#12 - #14	<b>809-113</b>	M39029/57-359	Orange	Green	White	J, K



Dimensions in Inches (millimeters) are subject to change without notice.



# Series 80 Mighty Mouse Contacts and Tools Coaxial Contacts

## Size #16 coaxial contacts

A

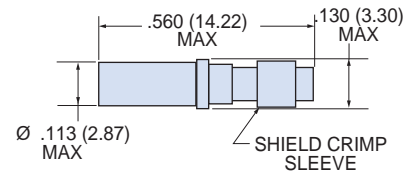
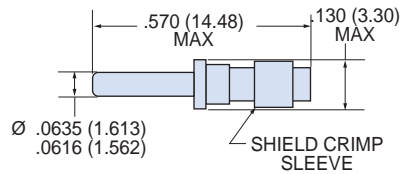


#16 Pin Contact

#16 Socket Contact

These #16 contacts accept 50 ohm and 75 ohm coaxial cable. Inner contact is rated at 1 amp, the outer contact 12 amps. DWV voltage rating is 800 Vac rms sea level, 250 Vac at 50,000 feet. Contacts are packaged individually and are unassembled with instruction sheet. One contact consists of outer contact, fluorocarbon dielectric, inner contact and shield crimp sleeve. Inner and outer contacts are gold-plated copper alloy. Approved to SAE AS39029. VSWR rating 1.5:1 maximum up to 700 MHz. 5000 megohm insulation resistance.

Type	Cable Size	Part Number	Military Part Number	Color Band			Tool Code
				1st	2nd	3rd	
Pin	RG174, RG316, RG179	<b>809-114</b>	M39029/76-424	Yellow	Red	Yellow	A, E, M, N
Pin	RG178	<b>809-115</b>	M39029/76-425	Yellow	Red	Green	A, E, M, N
Socket	RG174, RG316, RG179	<b>809-116</b>	M39029/78-432	Yellow	Orange	Red	A, E, M, N
Socket	RG178	<b>809-117</b>	M39029/78-433	Yellow	Orange	Orange	A, E, M, N



## Size #12 coaxial contacts

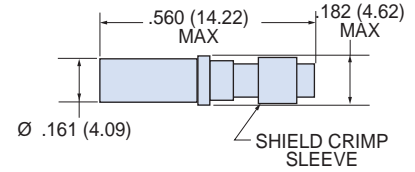
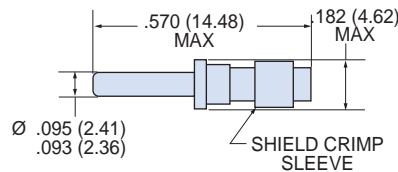


#12 Pin Contact

#12 Socket Contact

These #12 contacts accept 50 ohm and 75 ohm coaxial cable. Inner contact is rated at 1 amp, the outer contact 12 amps. DWV voltage rating is 1000 Vac rms sea level, 250 Vac at 50,000 feet. Contacts are packaged individually and shipped unassembled with instruction sheet. One contact consists of outer contact, fluorocarbon dielectric, inner contact and shield crimp sleeve. Inner and outer contacts are gold-plated copper alloy. Approved to SAE AS39029. VSWR rating 1.5:1 maximum up to 700 MHz. 5000 megohm insulation resistance.

Type	Cable Size	Part Number	Military Part Number	Color Band			Tool Code
				1st	2nd	3rd	
Pin	RG174, RG316, RG179	<b>809-118</b>	M39029/28-211	Red	Brown	Brown	A, G, O, P
Pin	RG180	<b>809-119</b>	M39029/28-409	Yellow	Black	White	A, G, O, P
Socket	RG174, RG316, RG179	<b>809-120</b>	M39029/27-210	Red	Brown	Black	A, G, O, P
Socket	RG180	<b>809-121</b>	M39029/27-402	Yellow	Black	Red	A, G, O, P



Dimensions in Inches (millimeters) are subject to change without notice.

# Series 80 Mighty Mouse Contacts and Tools

## Matched Impedance Coaxial Contacts



### Size #12, 50 ohm matched impedance coaxial contacts



These contacts offer improved frequency response compared to standard coaxial contacts above. VSWR is 1.32:1 at 3GHz. Nominal impedance is 50 ohms. Insertion loss at 3GHz is 0.20 dB maximum. Inner contact is rated at 1 amp, the outer contact 12 amps. DWV voltage rating is 1000 Vac rms sea level, 250 Vac at 50,000 feet. Contacts are packaged individually and shipped unassembled with instruction sheet. Inner and outer contacts are gold-plated copper alloy. 5000 megohm insulation resistance. Terminate crimp type coaxial center contact with hand tool 809-128 (Daniels MH992). Terminate cable braid to contact with 809-129 (Daniels HX4) parallel action crimp tool and 809-120 (Daniels Y196) hex die.

Contact Type	Cable Type	Part Number	Termination	Fig.	Tool Code
Pin	M17/113-RG316	<b>852-016-01</b>	Crimp	1	B, H, Q, R
Pin	M17/152-00001(RG316DS)	<b>852-016-02</b>	Crimp	1	B, H, Q, R
Pin	M17/93-RG178	<b>852-016-03</b>	Crimp	1	B, F, Q, R
Pin	TFLEX-405	<b>852-018</b>	Solder	2	(No Tool)
Socket	M17/113-RG316	<b>852-015-01</b>	Crimp	3	B, H, Q, R
Socket	M17/152-00001(RG316DS)	<b>852-015-02</b>	Crimp	3	B, H, Q, R
Socket	M17/93-RG178	<b>852-015-03</b>	Crimp	3	B, F, Q, R
Socket	TFLEX-405	<b>852-017</b>	Solder	4	(No Tool)

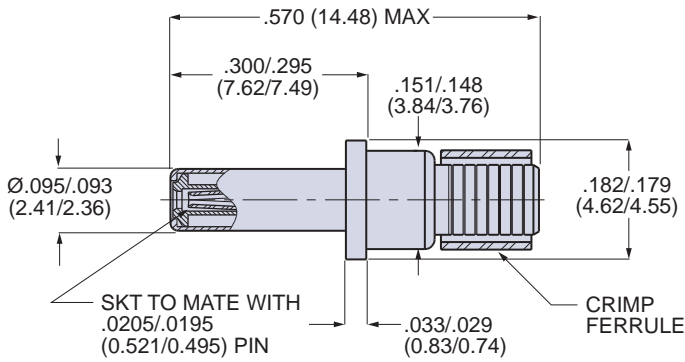


Figure 1

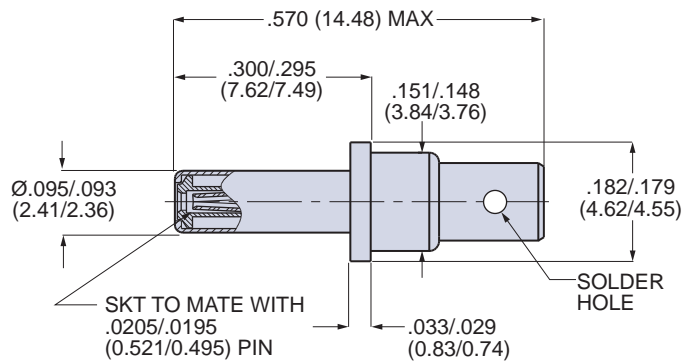


Figure 2

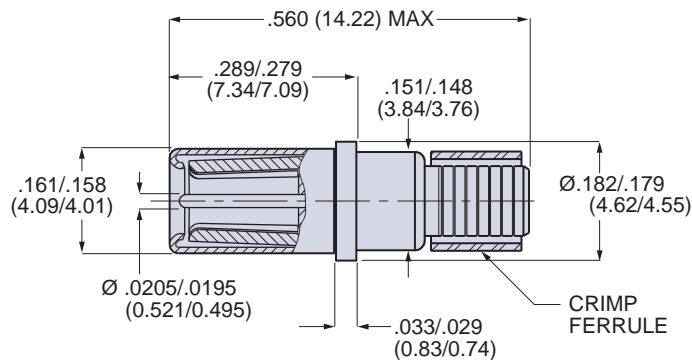


Figure 3

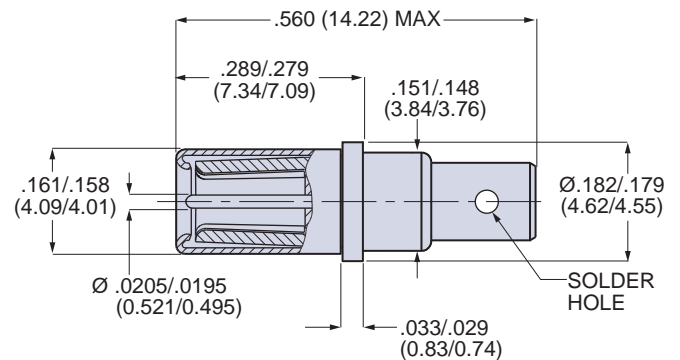


Figure 4

Dimensions in Inches (millimeters) are subject to change without notice.



# Series 80 Mighty Mouse Contacts and Tools

## Pneumatic Contacts and Grommet Sealing Plugs

### Size #12 pneumatic contacts

A



#12 Socket Contact

#12 Pin Contact

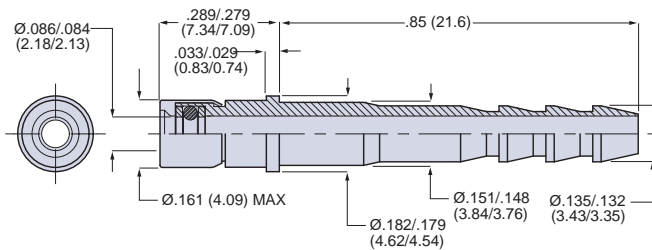
Stainless steel pneumatic contacts attach to 3/32 inch (2.38) diameter tubing. Socket contact has o-ring and PTFE backup washers. Contacts snap into size #12 connector cavities. Ideal for pitot tube connections, these pneumatic contacts are rated for 100 PSI maximum air pressure. No installation tool is required. Remove contacts with plastic extraction tool 809-132.

Contact Type	Tube I.D.	Part Number
Pin	.094 (2.38)	<b>857-011</b>
Socket	.094 (2.38)	<b>857-010</b>

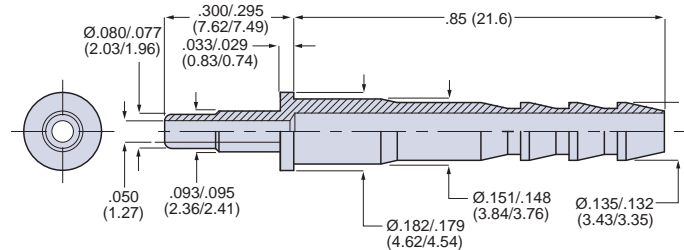
#### NOTES

##### Material and Finish

- Body and Cap: stainless steel, passivated
- O-ring: fluorosilicone
- Washers: PTFE

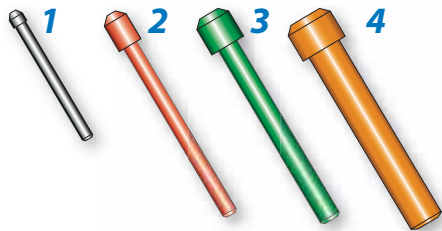


**857-010 Socket Contact**



**857-011 Pin Contact**

### Grommet sealing plugs



Grommet sealing plugs are used to seal unwired contact cavities. The size #23 sealing plug is specially designed to fit Glenair Series 80 grommets. Sizes 20, 16 and 12 plugs conform to MS27488 requirements. After installing unwired contacts into unused cavities, insert knob end of sealing plug into grommet until it bottoms against the unwired contact per illustration. Install sealing plugs with standard contact insertion/extraction tools. Size #23 plug is polyphenylsulphone, other sizes are per MS27488 requirements.

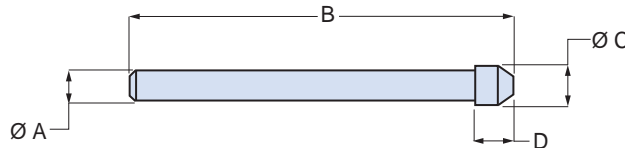


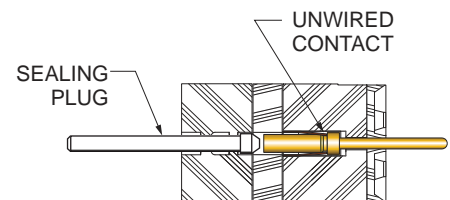
Fig.	Size	Color	Part Number	Military Part Number	Insertion/ Removal Tool	A Ref.		B Ref.		C Ref.		D Ref.	
						in.	mm.	in.	mm.	in.	mm.	in.	mm.
1	#23	Black	<b>809-155</b>	(None)	M81969/14-01	.040	1.02	.51	13.0	.052	1.32	.050	1.27
2	#20	Red	<b>859-012</b>	MS27488-20-2	M81969/14-11	.053	1.35	.82	20.8	.085	2.16	.125	3.18
3	#16	Green	<b>859-013</b>	MS27488-16-2	M81969/14-03	.074	1.88	.88	22.4	.125	3.18	.125	3.18
4	#12	Orange	<b>859-014</b>	MS27488-12-2	M81969/14-04	.120	3.05	.85	21.6	.165	4.19	.125	3.18



Here's a Tip

#### Installation of Sealing Plugs

"When installing sealing plug in connector cavities without contacts, the end opposite the knob shall be inserted first and the knob shall be seated against the grommet face. When installing into cavities with contacts, the sealing plugs shall be installed knob end first and shall bottom on the contact wire barrel." (NAVAIR 01-1A-505-1 Installation manual)



Dimensions in Inches (millimeters) are subject to change without notice.

# Series 80 Mighty Mouse Contacts and Tools Crimp Tools and Positioners



## Miniature Adjustable Crimp Tools



These crimp tools perform precision eight indent crimps for gas-tight wire terminations and excellent tensile strength. Adjustment wheel has 8 settings. Ratchet mechanism prevents improper crimps. Use with bayonet-type positioners. Check calibration with M22520/3 gages. Length is 6.75 inches, weight is approx. 10 oz.

**A** Standard M22520/2-01 crimper. Use with standard size #23 and #20HD Mighty Mouse contacts and with M39029/76 and /78 coaxial center contacts. Requires positioner, ordered separately.

**B** Special MH992 crimper used with 50 ohm matched impedance coaxial inner contacts. Requires positioner, ordered separately.



Figure	Part Number	Military Part Number	Daniels Part Number	Tool Code
A	809-015	M22520/2-01	AFM8	A
B	809-128	(none)	MH992	B

## Positioners for use with Miniature Adjustable Crimp Tools



These bayonet-type positioners hold contacts at correct height for crimping with M22520/2 type miniature step adjustable tools, above. Face plate shows correct tool settings.

**C** Positioner for standard size #23 contacts. #22-#28 AWG. Use with 809-015 crimp tool.

**G** Positioner for M39029/27 and 28 #12 coaxial inner contact. Use with 809-015 crimp tool.

**D** Positioner for small bore size #23 contacts. #26-#30 AWG. Use with 809-015 crimp tool.

**H** Positioner for matched impedance #12 coaxial inner contact. Use with 809-128 crimp tool.



**E** Positioner for M39029/76 and 78 coaxial inner contact. Use with 809-015 crimp tool.

**I** Positioner for #20HD contacts. Use with 809-015 crimp tool.

**F** Positioner for matched impedance #12 coaxial inner contact. Use with 809-128 crimp tool.

**S** Positioner for large bore size #23 contacts. #20-#22 AWG. Use with 809-015 crimp tool.



Figure	Part Number	Military Part Number	Daniels Part Number	Tool Code
C	809-005	(none)	K1461	C
D	809-057	(none)	(none)	D
E	809-125	M22520/2-35	K532-1	E
F	809-124	(none)	K1360	F
G	809-135	M22520/2-34	K323	G
H	859-006	(none)	K1721	H
I	809-206	(none)	(none)	I
S	809-301	(none)	(none)	S

Dimensions in Inches (millimeters) are subject to change without notice.



## Series 80 Mighty Mouse Contacts and Tools

### Crimp Tools and Positioners for Coaxial Contacts

#### Crimp tool and positioner for #12, #16 and #20 power contacts, 809-093 adapters

A



**J** Crimp tool for use with size #20, #16 and #12 power pins. 9.75 inches OAL, 1.25 pounds. Use with M39029/57 and /58 contacts and 809-093 adapters.

**K** Positioner for use with size #20, #12 and #16 Power contacts.

**L** Positioner for use with 809-093 adapters.

Figure	Part Number	Military Part Number	Daniels Part Number	Tool Code
J	809-136	M22520/1-01	AF8	J
K	809-137	M22520/1-04	TH163	K
L	809-138	(none)	TH653	L

#### Crimp tool and positioner for #16 coaxial outer contact



For crimping size #16 shield sleeves. These mil spec approved tools feature a ratchet mechanism to prevent damage from overcrimping. Check calibration with M22520/3 gage.

**M** Crimp tool for use with size #16 coaxial contacts. Blue handles. 9.75 inches OAL, 1.25 pounds.

**N** Positioner for use with size #16 coaxial contacts. Use with 809-127 (M22520/4-01) crimp tool.

Figure	Part Number	Military Part Number	Daniels Part Number	Tool Code
M	809-127	M22520/4-01	GS100-1	M
N	809-126	M22520/4-02	GP295	N

#### Crimp tool and positioner for #12 coaxial outer contact



For crimping size #12 shield sleeves. These mil spec approved tools feature a ratchet mechanism to prevent damage from overcrimping. Check calibration with M22520/3 gage.

**O** Crimp tool for use with size #12 coaxial contacts. Black handles. 9.75 inches OAL, 1.25 pounds.

**P** Positioner for use with size #12 coaxial contacts. Use with 809-133 (M22520/31-01) crimp tool.

Figure	Part Number	Military Part Number	Daniels Part Number	Tool Code
O	809-133	M22520/31-01	GS200-1	O
P	809-134	M22520/31-02	G2P330	P

#### Parallel action crimp tool and hex die set for 50 ohm matched impedance #12 coax



**Q** Parallel action tool for use with hex crimp dies. 11 inches OAL, 2.0 pounds. Anodized aluminum frame, steel mechanism, plastic handles. Includes tool for die set removal. Accepts all M22520/5 die sets.

**R** Die set for terminating coaxial shield to outer contact. Use with size #12 matched impedance M39029/102 and 103 type coaxial contacts. Set consists of upper and lower halves. Made of hardened steel with black oxide finish. Die set has two closures.

Figure	Part Number	Military Part Number	Daniels Part Number	Tool Code
Q	809-129	M22520/5-01	HX4	Q
R	809-130	M22520/5-03	Y196	R

Dimensions in Inches (millimeters) are subject to change without notice.

# Series 80 Mighty Mouse Contacts and Tools

## Contact Insertion and Removal Tools and Contact Retention Tester 809-107



### Contact insertion and removal tools



Figure	Size	Type	Part Number	Military Part Number	Daniels Part Number
1	#23	Insertion/Extraction	<b>809-088</b>	(None)	(None)
2	#23	Insertion Only	<b>809-013</b>	(None)	DAK225-22
3	#20HD	Insertion/Extraction	<b>809-203</b> (Append D for Delrin tip)	(None)	(None)
4	#16	Insertion/Extraction	<b>809-131</b>	M81969/14-03	(None)
5	#12	Insertion/extraction	<b>809-132</b>	M81969/14-04	(None)
6	#20	Insertion/extraction	<b>809-207</b>	M81969/14-10	(None)

**1** Insertion/Extraction Tool for #23 Contacts. Features molded plastic grips and sturdy stainless steel tips. Blue/White molded handle.

**2** Insertion Tool for #23 Contacts. This tool features anodized aluminum handle and stainless steel insertion tip.

**3** Insertion/Extraction Tool for #20HD Contacts. This tool features molded plastic grips and sturdy stainless steel or Delrin tips. Molded handle in Green/White for SS or Green/Blue for Delrin tips.

**4** Insertion/Extraction Tool for #16 Contacts. Use with size #16 coaxial or power contacts. Economical molded plastic. White extraction tip, blue insertion tip.

**5** Insertion/Extraction Tool for #12 Contacts. Use with size #12 coaxial or power contacts. Molded plastic. White extraction tip, yellow insertion tip.

**6** Insertion/Extraction Tool for #20 Contacts. Molded plastic. Orange extraction tip, red insertion tip.

### Contact retention tester for size #23 contacts



Check for properly seated contacts with this spring-loaded tester. Apply the tool tip to the mating end of a contact. Push on the handle until the spring compresses to the recommended force. A visual indicator shows full compression. The contact is properly retained if it is not displaced.

The adjustable handle should be set to 3.2 pounds (14.2 N). The pin tip is used with #23 pin contacts. The socket tip is used with #23 socket contacts.

Order the complete kit, or order the tips and handle separately.

Figure	Description	Part Number	Daniels Part Number
1	Handle	<b>809-107-1</b>	HT250-2
2	Pin Tip	<b>809-107-2</b>	68-023-01
n/a	Socket Tip (not shown)	<b>809-107-3</b>	67-023-01
n/a	Complete Kit (not shown)	<b>809-107-4</b>	(None)

Dimensions in Inches (millimeters) are subject to change without notice.





# Series 80 Mighty Mouse Contacts and Tools

## Band-Master™ ATS Shield Termination Tool Bands and Instructions

### Band-Master™ ATS shield termination system

A



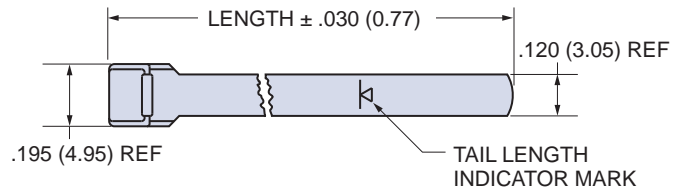
Fast, cost-effective shield termination. Attach cable shields to Series 80 connectors or backshells with **Band-Master™** stainless steel straps. The **Band-Master™** system offers fast termination and the flexibility to handle a wide range of parts with just one band size. Approved for aerospace and defense, these straps have successfully passed rigorous shock, vibration and environmental testing.

- 1** Micro Band Installation Tool. Use with .120" (3.05 mm) wide bands. 6.75 inches (172 mm.) length, 1.2 pounds (0.6 Kg.)
- 2** Micro Band, .120" (3.05 mm) wide. Available in two lengths, flat or pre-coiled. Stainless steel.

Figure	Description	Part Number
1	Micro Band Installation Tool	600-061

Figure	Length		Part Number		Accommodates Diameter	
	in.	mm.	Flat	Pre-Coiled	in.	mm.
2	8.125	206.38	601-060	601-061	.88	22.35
2	14.250	361.95	601-064	601-065	1.88	47.75

Contact Glenair or visit our website (glenair.com) to view our complete line of **Band-Master ATS™** products, including pneumatic tools for high volume production and calibration kits.



### Band-Master™ ATS shield termination instructions

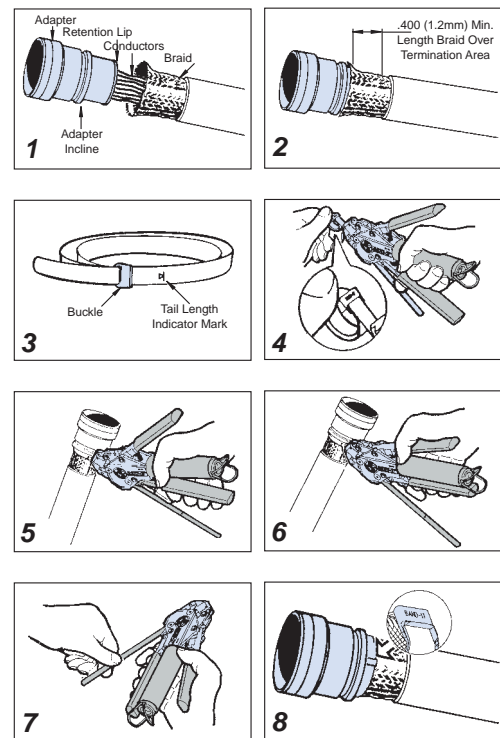
1. Prepare Cable Braid for termination process (Figure 1).
2. Push Braid forward over Adapter Retention Lip to the Adapter Incline Point (or .4" [10.2mm] minimum braid length). Milk Braid as required to remove slack and insure a snug fit around the shield termination area (Figure 2).
3. Prepare the Band in the following manner: **IMPORTANT:** Due to Connector/Adapter circumference, it may be necessary to prepare the Band around the Cable or Retention Area.
  - A. Roll Band through the Buckle Slot twice. (Bands must be double-coiled.)
  - B. Pull on Band until Mark (▷) is within approximately .250 inch (6.4mm) of Buckle Slot (Figure 3). The Band may be tightened further if desired.

**NOTE:** Prepared Band should have (▷) Mark visible approximately where shown in Figure 3.

#### Shield Termination Clamping Process (Figures 4 thru 8)

**NOTE:** To free Tool Handles, move Holding Clips to center of Tool.

4. Squeeze Gripper Release Lever and insert Band into the front end opening of the Tool. (**NOTE:** Circular portion of looped band must always face downward.)
5. Aligning the Band and Tool with the Shield Termination Area, squeeze Black Pull-Up Handle repeatedly using short strokes until it locks against Tool Body. (This indicates the Band is compressed to the Tool Pre-calibrated Tension.)  
**NOTE:** If alignment of band and shield is unsatisfactory, tension on band can be relaxed by pushing on slotted release lever on top of tool. Make adjustments as necessary and again squeeze black pull-up handle.
6. Complete the Clamping Process by squeezing the Gray Cut-Off Handle.
7. Remove excess band from tool and dispose.
8. Inspect Shield Termination.



Dimensions in Inches (millimeters) are subject to change without notice.



# Series 80 Mighty Mouse Contacts and Tools

## Jam Nut Tightening Tools Connector Holding Fixtures



### Spanner tool for tightening Series 80 jam nuts

Use these tools to tighten Series 80 jam nuts. 1/4" or 3/8" square drive for use with torque wrenches. Heat-treated steel, nickel plated.



Spanner Tool Part Number						
Shell Size	Series 800	Series 801	Series 803	Series 804 Style 07	Series 804 Style 00	Series 805
5	<a href="#">600-146-01</a>	<a href="#">600-146-02</a>	<a href="#">600-137-05</a>	<a href="#">600-146-03</a>	<a href="#">600-147-5</a>	—
6	<a href="#">600-146-02</a>	<a href="#">600-146-03</a>	<a href="#">600-137-06</a>	<a href="#">600-146-04</a>	<a href="#">600-147-6</a>	—
7	<a href="#">600-146-03</a>	<a href="#">600-146-05</a>	<a href="#">600-137-07</a>	<a href="#">600-146-06</a>	<a href="#">600-147-7</a>	—
8	<a href="#">600-146-04</a>	<a href="#">600-146-05</a>	<a href="#">600-137-08</a>	<a href="#">600-146-06</a>	<a href="#">600-147-7</a>	<a href="#">600-154-08</a>
9	<a href="#">600-146-05</a>	<a href="#">600-146-06</a>	<a href="#">600-137-09</a>	<a href="#">600-146-07</a>	<a href="#">600-147-9</a>	<a href="#">600-154-09</a>
10	<a href="#">600-146-06</a>	<a href="#">600-146-07</a>	<a href="#">600-137-10</a>	<a href="#">600-146-08</a>	<a href="#">600-147-10</a>	<a href="#">600-154-09</a>
11	—	<a href="#">600-146-08</a>	—	—	—	<a href="#">600-154-11</a>
12	<a href="#">600-146-08</a>	—	<a href="#">600-137-12</a>	<a href="#">600-146-10</a>	<a href="#">600-147-12</a>	<a href="#">600-154-12</a>
13	—	<a href="#">600-146-10</a>	—	—	—	—
14	<a href="#">600-146-10</a>	—	<a href="#">600-137-14</a>	<a href="#">600-146-12</a>	<a href="#">600-147-14</a>	—
15	<a href="#">600-146-11</a>	—	<a href="#">600-137-15</a>	<a href="#">600-146-13</a>	<a href="#">600-147-15</a>	<a href="#">600-154-15</a>
16	—	<a href="#">600-146-13</a>	—	—	—	—
17	—	<a href="#">600-146-14</a>	—	—	—	—
18	—	—	—	—	—	<a href="#">600-154-18</a>
19	—	—	—	—	—	<a href="#">600-154-19</a>
21	—	<a href="#">600-146-17</a>	—	—	—	—
23	—	—	—	—	—	<a href="#">600-154-23</a>

See Table I for torque values

To order as a kit replace dash number with connector series i.e.: substitute 600-146-01 with 600-146-801.

*Kit consists of all connector family shell size tools*

### Spanner tool for tightening Series 80 size #8 jam nuts

These Lengthened spanner tools are used to tighten jam nuts on extended-length connectors with size #8 contacts. 3/8" square drive. Nickel-plated heat-treated steel.



Size #8 Spanner Tool Part Number			
Part No.	Series 801 Series Shell Size	Series 805 Series Shell Size	Jam Nut Thread Size Ref
<a href="#">600-197-05</a>	8	N/A	.562
<a href="#">600-197-07</a>	N/A	10	.688
<a href="#">600-197-13</a>	16	N/A	1.062
<a href="#">600-197-14</a>	17	N/A	1.125
<a href="#">600-197-15</a>	N/A	18	1.188
<a href="#">600-197-16</a>	19	19	1.250
<a href="#">600-197-17</a>	21	21	1.375
<a href="#">600-197-18</a>	N/A	23	1.500

See Table I for torque values

To order as a kit replace dash number with connector series i.e.: substitute 600-197-01 with 600-197-801

*Kit consists of all connector family shell size tools*

Dimensions in Inches (millimeters) are subject to change without notice.



# Series 80 Mighty Mouse Contacts and Tools

## Jam Nut Tightening Tools, Connector Holding Fixtures and Mighty Mouse Recommended Torque Values,

### Connector holding tool for tightening backshells and accessories

**A**

**1** Plug tool for holding Series 80 plug connectors.  
Heat-treated steel, nickel plated.

**2** Receptacle tool for holding Series 80 receptacle  
connectors. Heat-treated steel, nickel plated.



**1**



**2**

Holding Tool Part Number (Add P or R)										
Shell Size	Series 800		Series 801		Series 803		Series 804		Series 805	
5	600M005-05	★	600MM005-05	◆	600-140-5	★	600-141-5	■	—	—
6	600M005-06	★	600MM005-06	◆	600-140-6	★	600-141-6	■	—	—
7	600M005-07	★	600MM005-07	◆	600-140-7	★	600-141-7	■	—	—
8	600M005-08	★	600MM005-08	◆	600-140-8	★	600-141-8	■	600-185-8	○
9	600M005-09	★	600MM005-09	◆	600-140-9	★	600-141-9	■	600-185-9	○
10	600M005-10	★	600MM005-10	◆	600-140-10	★	600-141-10	■	600-185-10	○
11	—	—	—	—	—	—	—	—	600-185-11	○
12	600M005-12	★	—	—	600-140-12	★	600-141-12	■	600-185-12	○
13	—	—	600MM005-13	◆	—	—	—	—	—	—
14	—	—	—	—	600-140-14	★	600-141-14	■	—	—
15	—	—	—	—	600-140-15	★	600-141-15	■	600-185-15	○
16	—	—	600MM005-16	◆	—	—	—	—	—	—
17	—	—	600MM005-17	◆	—	—	—	—	—	—
18	—	—	—	—	—	—	—	—	600-185-18	○
19	—	—	—	—	—	—	—	—	600-185-19	○
21	—	—	600MM005-21	◆	—	—	—	—	—	—
23	—	—	—	—	—	—	—	—	600-185-23	○

- ★ Add **P** for plug holder or **R** for receptacle holder, followed by polarizing position (**N, X, Y, Z**).
- ◆ Add **P** for plug holder or **R** for receptacle holder, followed by polarizing position (**A, B, C, D**).
- Add **P** for plug holder or **R** for receptacle holder, followed by polarizing position (**A, B, C, D, E, F**). Omit for single master key).
- Add **P** for plug holder or **R** for receptacle holder, followed by polarizing position (**A, B, C, D, E, F**). Omit polarization for receptacle tools.

The following tabulations show the changes to the Glenair recommended torque values for connector coupling torque and backshell tightening torque. The jam nut tightening torque values will remain the same.

Series 800 Recommended Torque Values		
Series 800	Backshell Tightening	
	In-Lbs.	
	Min.	Max.
5	10	15
6	15	20
7	20	30
8	20	30
9	25	35
10	25	35
12	25	35

Series 801, 802, 803, 805 Recommended Torque Values			
Shell Size Series 801, 802, 803	Shell Size Series 805	Backshell Tightening	
		In-Lbs.	
		Min.	Max.
5	-	10	15
6	8	15	20
7	9	20	30
8	10	20	30
9	11	25	35
10	12	25	35
12, 13	15	25	35
14, 16	18	25	35
15, 17	19	25	35
21	23	25	35

Dimensions in Inches (millimeters) are subject to change without notice.

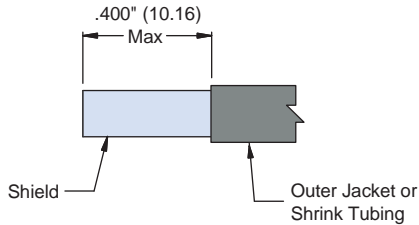
# Recommended Shielded Twisted Pair Termination to High Speed Mighty Mouse



**A**

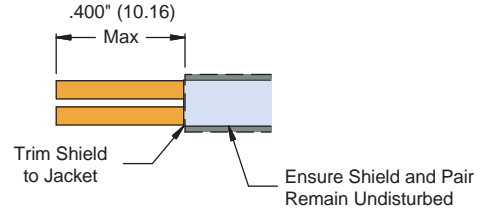
## Step 1

Strip jacket back .400" Max. If pair is unjacketed, install shrink tubing .400" Max from end of wires.



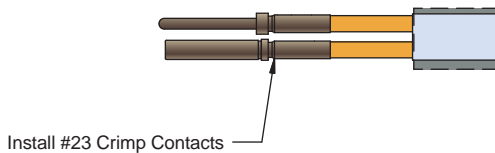
## Step 2

Trim shield back to jacket. Ensure that wires do not become separated underneath jacket.



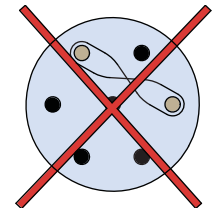
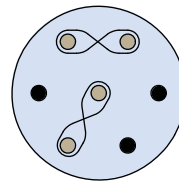
## Step 3

Install #23 crimp contacts included with connector per recommended installation procedure.



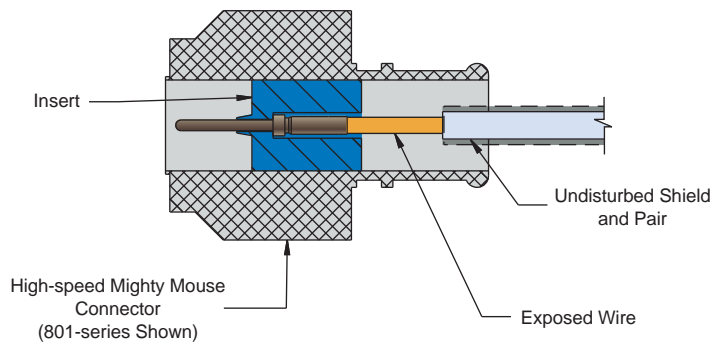
## Step 4

Insert contacts into adjacent cavities of high-speed mighty mouse connector with rear grommet removed (MOD-422B).



## Step 5

Assembled view



Dimensions in Inches (millimeters) are subject to change without notice.

SERIES 80

# MIGHTY MOUSE



Everything you always wanted in a high-performance ultraminiature, reduced weight connector



Non-Magnetic RF



Shielded/Ground Plane



Ruggedized USB



Fiber Optic



Submersible



EMI/RFI Filter

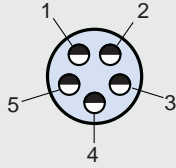


Glenair, Inc.  
1211 Air Way  
Glendale, CA  
91201-2497  
818-247-6000  
sales@glenair.com  
www.glenair.com

# Series 80 Mighty Mouse Technical Reference Contact Arrangements Table of Contents and Reference Material



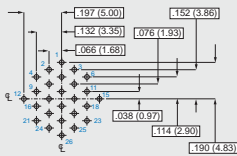
## PRODUCT SELECTION GUIDE



### Series 80 Contact Arrangements

Single contact size arrangements begin on B-3  
Combo contact size arrangements begin on B-6

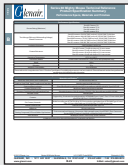
Page B-2



### Series 80 Straight PCB Footprints

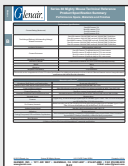
Single contact size arrangements begin on B-9  
Combo contact size arrangements begin on B-29

Page B-8



### Series 80 Recommended Torque Values

Page B-39



### Series 80 Product Specifications

Performance specs, materials and finishes

Page B-40



### Series 80 Space Grade Application Guidelines

Page B-47



### Series 80 Space Modification Codes and Material/Finish Codes

Page B-51

Dimensions in Inches (millimeters) are subject to change without notice.



# Series 80 Mighty Mouse Contact Arrangements

B

Series 80 Mighty Mouse Contact Arrangements

Contact Size		Contact Quantity					Contact Arrangement*							
		#23	#20	#20HD	#16	#12	#8	Series 800	Series 801	Series 802	Series 803	Series 804	Series 805	
Size #23 Contacts 5 Amp Max. Current #22-#28 AWG  750 VAC DWV		3						5-3	5-3	5-3	5-3	5-3	N/A	
		4							6-4	6-4	6-4	6-4	6-4	8-4
		6							6-6	6-6	6-6	6-6	6-6	8-6
		7							6-7	6-7	6-7	6-7	6-7	8-7
		10							7-10	7-10	7-10	7-10	7-10	9-10
		13							8-13	8-13	8-13	8-13	8-13	10-13
		19							9-19	9-19	9-19	9-19	9-19	11-19
		26							10-26	10-26	10-26	10-26	10-26	12-26
		31							N/A	11-31	N/A	N/A	N/A	13-31
		37							12-37	13-37	12-37	12-37	12-37	15-37
		55							N/A	16-55	14-55	14-55	14-55	18-55
		85							N/A	17-85	15-85	N/A	N/A	19-85
100							N/A	19-100	N/A	N/A	N/A	21-100		
130							N/A	21-130	21-130	N/A	N/A	23-130		
Size #20HD Contacts 7.5 Amp Max. Current #20-#24 AWG  1000 VAC DWV				3				6-23	6-23	6-23	6-23	6-23	8-23	
				5					7-25	7-25	7-25	7-25	7-25	9-25
				8					8-28	8-28	8-28	8-28	8-28	10-28
				10					9-210	9-210	9-210	9-210	9-210	11-210
				20					12-220	13-220	12-220	12-220	12-220	15-220
				35					N/A	16-235	14-235	14-235	14-235	18-235
				41					N/A	17-241	15-241	N/A	N/A	19-241
				55					N/A	19-255	N/A	N/A	N/A	21-255
Size #16 Contacts 13 Amp Max. Current #16-#20 AWG  1800 VAC DWV					1			6-1	6-1	6-1	6-1	6-1	8-1	
					2				8-2	8-2	8-2	8-2	8-2	10-2
					4				9-4	9-4	9-4	9-4	9-4	11-4
					5				10-5	10-5	10-5	10-5	10-5	12-5
					7				12-7	13-7	12-7	12-7	12-7	15-7
					12				N/A	16-12	14-12	14-12	14-12	18-12
					14				N/A	17-14	15-14	N/A	N/A	19-14
					19				N/A	19-19	N/A	N/A	N/A	21-19
Size #12 Contacts 23 Amp Max. Current #12-#14 AWG  1800 VAC DWV						1		7-1	7-1	7-1	7-1	7-1	9-1	
						2			10-2	10-2	10-2	10-2	10-2	12-2
						2			12-2	13-2	12-2	12-2	12-2	15-2
						3			12-3	13-3	12-3	12-3	12-3	15-3
						5			N/A	16-5	14-5	14-5	14-5	18-5
						7			N/A	17-7	15-7	N/A	N/A	19-7
Size #8 Contacts 46 Amp Max. Current #8 AWG  1800 VAC DWV							1	N/A	8-1	N/A	N/A	N/A	10-1	
								2	N/A	16-2	N/A	N/A	N/A	18-2
									3	N/A	17-3	N/A	N/A	19-3
									4	N/A	19-4	N/A	N/A	21-4
									5	N/A	21-5	N/A	N/A	23-5
Combo Arrangements  Featuring #23 Contacts 5 Amp Max. Current #22 - #28 AWG  750 VAC DWV		12				1		10-200	10-200	10-200	10-200	10-200	12-200	
		4				2			10-201	10-201	10-201	10-201	10-201	12-201
		6				2			12-200	13-200	12-200	12-200	12-200	15-200
		10				2			12-201	13-201	12-201	12-201	12-201	15-201
		4			2				9-200	9-200	9-200	9-200	9-200	11-200
		8			2				10-202	10-202	10-202	10-202	10-202	12-202
		4	2						8-200	8-200	8-200	8-200	8-200	10-200
		8	2						9-201	9-201	9-201	9-201	9-201	11-201
		20			2				12-202	13-202	12-202	12-202	12-202	15-202
		12			4				12-203	13-203	12-203	12-203	12-203	15-203
		40			2				N/A	16-204	14-204	14-204	14-204	18-204
		32			4				N/A	16-205	14-205	14-205	14-205	18-205
		40			4				N/A	17-203	15-203	N/A	N/A	19-203
		12				2			12-204	13-204	12-204	12-204	12-204	15-204
		4				4			12-205	13-205	12-205	12-205	12-205	15-205
		34				2			N/A	16-206	14-206	14-206	14-206	18-206
		20				4			N/A	16-207	14-207	14-207	14-207	18-207
		28				4			N/A	17-204	15-204	15-204	15-204	19-204
		32					1		N/A	16-208	N/A	N/A	N/A	18-208
		40					1		N/A	17-205	N/A	N/A	N/A	19-205
		44					2		N/A	19-201	N/A	N/A	N/A	21-201
		12					4		N/A	19-202	N/A	N/A	N/A	21-202
28					4		N/A	21-200	N/A	N/A	N/A	23-200		

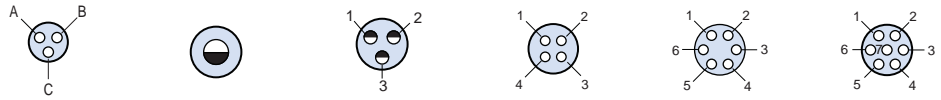
\* DWV rating is applicable to contact arrangements shown.

# Series 80 Mighty Mouse Technical Reference Contact Arrangements

## Mating Face View of Pin Connector (socket layout reversed)



**Contact Legend**  
 #23 ○ #16 ●  
 #20HD ⊕ #12 ⊕  
 #20 ● #8 ●



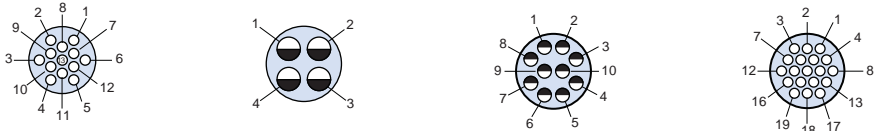
Series 800, 801, 802, 803, 804	5-3	6-1	6-23	6-4	6-6	6-7
Series 805	N/A	8-1	8-23	8-4	8-6	8-7
No. of Contacts	3	1	3	4	6	7
Contact Size	#23	#16	#20HD	#23	#23	#23
DWV Voltage (VAC)	750	1800	1000	750	750	750
Current Rating (Amps)	5	13	7.5	5	5	5

**Contact Legend**  
 #23 ○ #16 ●  
 #20HD ⊕ #12 ⊕  
 #20 ● #8 ●



Series 800, 802, 803, 804	6-1	7-25	7-10	N/A	8-2	8-28
Series 801	6-1	7-25	7-10	8-1	8-2	8-28
Series 805	9-1	9-25	9-10	10-1	10-2	10-28
No. of Contacts	1	5	10	1	2	8
Contact Size	#12	#20HD	#23	#8	#16	#20HD
DWV Voltage (VAC)	1800	1000	750	1800	1800	1000
Current Rating (Amps)	23	7.5	5	46	13	7.5

**Contact Legend**  
 #23 ○ #16 ●  
 #20HD ⊕ #12 ⊕  
 #20 ● #8 ●



Series 800, 801, 802, 803, 804	8-13	9-4	9-210	9-19
Series 805	10-13	11-4	11-210	11-19
No. of Contacts	13	4	10	19
Contact Size	#23	#16	#20HD	#23
DWV Voltage (VAC)	750	1800	1000	750
Current Rating (Amps)	5	13	7.5	5

**Contact Legend**  
 #23 ○ #16 ●  
 #20HD ⊕ #12 ⊕  
 #20 ● #8 ●



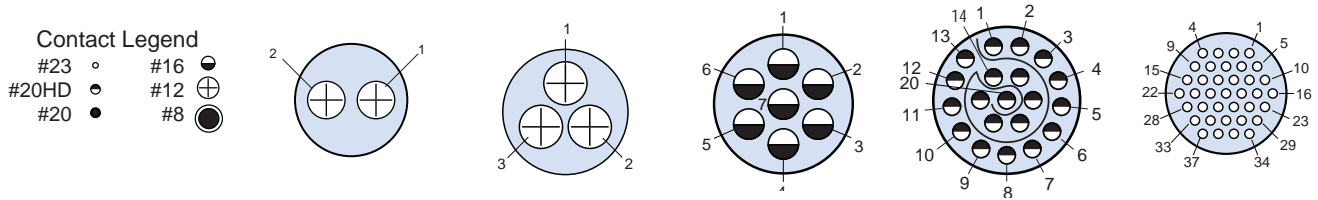
Series 800, 801, 802, 803, 804	10-2	10-5	10-26	11-31
Series 805	12-2	12-5	12-26	13-31
No. of Contacts	2	5	26	31
Contact Size	#12	#16	#23	#23
DWV Voltage (VAC)	1800	1800	750	750
Current Rating (Amps)	23	13	5	5



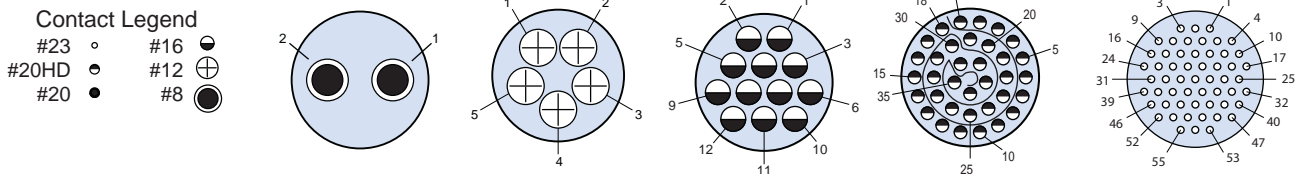
# Series 80 Mighty Mouse Technical Reference Contact Arrangements

Mating Face View of Pin Connector (socket layout reversed)

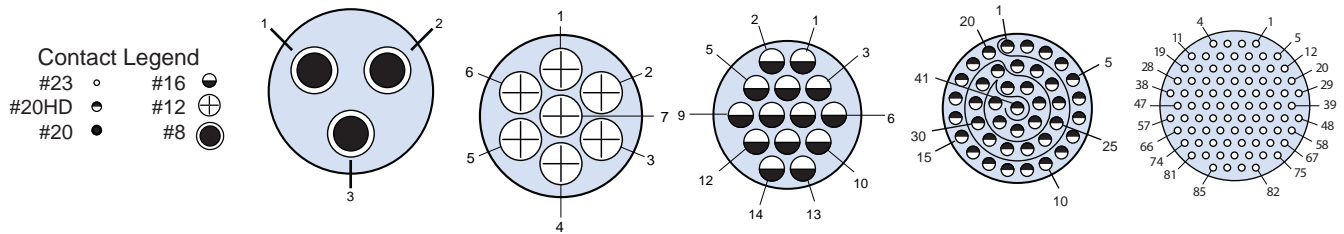
B



Series 800, 802, 803, 804	12-2	12-3	12-7	12-220	12-37
Series 801	13-2	13-3	13-7	13-220	13-37
Series 805	15-2	15-3	15-7	15-220	15-37
No. of Contacts	2	3	7	20	37
Contact Size	#12	#12	#16	#20HD	#23
DWV Voltage (VAC)	1800	1800	1800	1000	750
Current Rating (Amps)	23	23	13	7.5	5



Series 802, 803, 804	N/A	14-5	14-12	14-235	14-55
Series 801	16-2	16-5	16-12	16-235	16-55
Series 805	18-2	18-5	18-12	18-235	18-55
No. of Contacts	2	5	12	35	55
Contact Size	#8	#12	#16	#20HD	#23
DWV Voltage (VAC)	1800	1800	1800	1000	750
Current Rating (Amps)	46	23	13	7.5	5



Series 802	N/A	15-7	15-14	15-241	15-85
Series 801	17-3	17-7	17-14	17-241	17-85
Series 805	19-3	19-7	19-14	19-241	19-85
No. of Contacts	3	7	14	41	85
Contact Size	#8	#12	#16	#20HD	#23
DWV Voltage (VAC)	1800	1800	1800	1000	750
Current Rating (Amps)	46	23	13	7.5	5

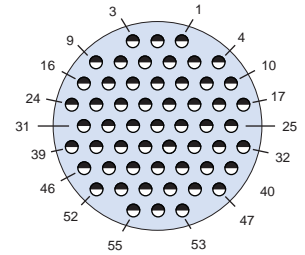
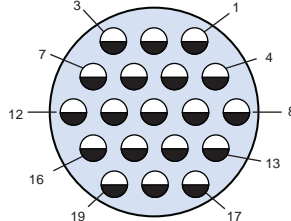
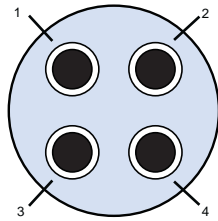


# Series 80 Mighty Mouse Technical Reference Contact Arrangements

Mating Face View of Pin Connector (socket layout reversed)

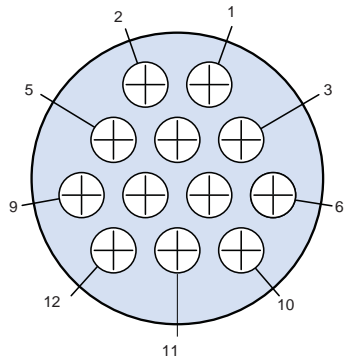
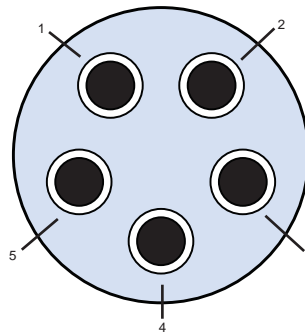
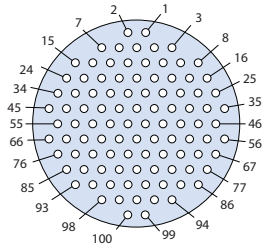


**Contact Legend**  
 #23 ○ #16 ●  
 #20HD ⊙ #12 ⊕  
 #20 ● #8 ⊙



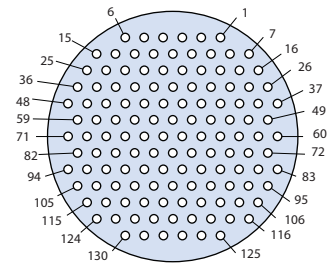
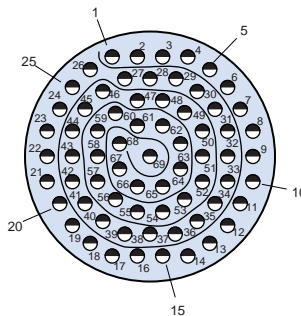
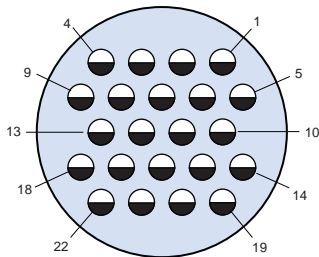
Series 801, 802	19-4 <sup>1</sup>	19-19 <sup>1</sup>	19-255 <sup>1</sup>
Series 805	21-4	21-19	21-255
No. of Contacts	4	19	55
Contact Size	#8	#16	#20HD
DWV Voltage (VAC)	1800	1800	1000
Current Rating (Amps)	46	13	7.5

**Contact Legend**  
 #23 ○ #16 ●  
 #20HD ⊙ #12 ⊕  
 #20 ● #8 ⊙



Series 801, 802	19-100 <sup>1</sup>	21-5 <sup>1</sup>	21-12
Series 805	21-100	23-5	23-12
No. of Contacts	100	5	12
Contact Size	#23	#8	#12
DWV Voltage (VAC)	750	1800	1800
Current Rating (Amps)	5	46	23

**Contact Legend**  
 #23 ○ #16 ●  
 #20HD ⊙ #12 ⊕  
 #20 ● #8 ⊙



Series 801, 802	21-22	21-269	21-130
Series 805	23-22	23-269	23-130
No. of Contacts	22	69	130
Contact Size	#16	#20HD	#23
DWV Voltage (VAC)	1800	1000	750
Current Rating (Amps)	13	7.5	5

1. Not available for Series 802



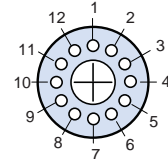
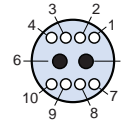
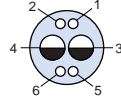
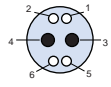
# Series 80 Mighty Mouse Technical Reference

## Combo Contact Arrangements

Mating Face View of Pin Connector (socket layout reversed)

**Contact Legend**

- #23 ○ #16 ●
- #20HD ⊕ #12 ⊕
- #20 ● #8 ●

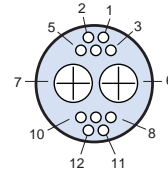
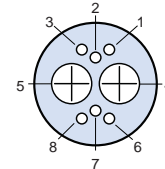
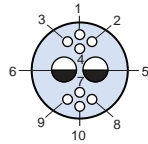
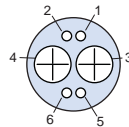


**B**

Series 800, 801, 802, 803, 804	8-200		9-200		9-201		10-200	
Series 805	10-200		11-200		11-201		12-200	
No. of Contacts	2	4	2	4	2	8	1	12
Contact Size	#20	#23	#16	#23	#20	#23	#12	#23
DWV Voltage (VAC)	1000	750	1800	750	1000	750	1800	750
Current Rating (Amps)	7	5	13	5	7.5	5	23	5

**Contact Legend**

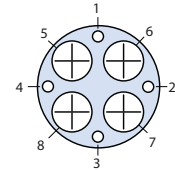
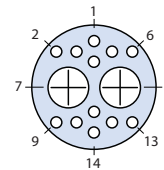
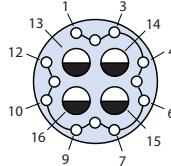
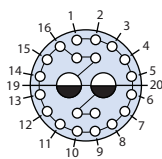
- #23 ○ #16 ●
- #20HD ⊕ #12 ⊕
- #20 ● #8 ●



Series 800, 802, 803, 804	10-201		10-202		12-200		12-201	
Series 801	10-201		10-202		13-200		13-201	
Series 805	12-201		12-202		15-200		15-201	
No. of Contacts	2	4	2	8	2	6	2	10
Contact Size	#12	#23	#16	#23	#12	#23	#12	#23
DWV Voltage (VAC)	1800	750	1800	750	1800	750	1800	750
Current Rating (Amps)	23	5	13	5	23	5	23	5

**Contact Legend**

- #23 ○ #16 ●
- #20HD ⊕ #12 ⊕
- #20 ● #8 ●



Series 800, 802, 803, 804	12-202		12-203		12-204		12-205	
Series 801	13-202		13-203		13-204		13-205	
Series 805	15-202		15-203		15-204		15-205	
No. of Contacts	2	20	4	12	2	12	4	4
Contact Size	#16	#23	#16	#23	#12	#23	#12	#23
DWV Voltage (VAC)	1800	1300	1800	1300	1800	1300	1800	1300
Current Rating (Amps)	13	5	13	5	23	5	23	5

# Series 80 Mighty Mouse Technical Reference

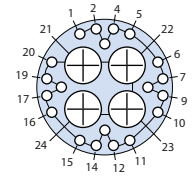
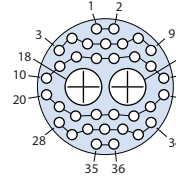
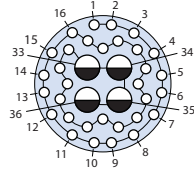
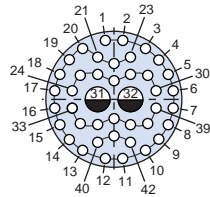
## Combo Contact Arrangements

### Mating Face View of Pin Connector (socket layout reversed)



**Contact Legend**

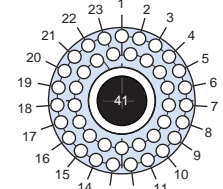
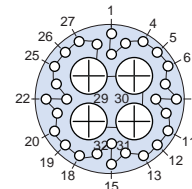
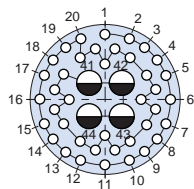
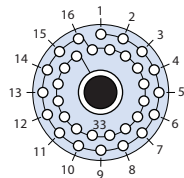
#23 ○	#16 ⊖
#20HD ⊙	#12 ⊕
#20 ●	#8 ⊗



Series 802, 803, 804	14-204		14-205		14-206		14-207	
Series 801	16-204		16-205		16-206		16-207	
Series 805	18-204		18-205		18-206		18-207	
No. of Contacts	2	40	4	32	4	20	4	20
Contact Size	#16	#23	#16	#23	#12	#23	#12	#23
DWV Voltage (VAC)	1800	1300	1800	1300	1800	1300	1800	1300
Current Rating (Amps)	13	5	13	5	23	5	23	5

**Contact Legend**

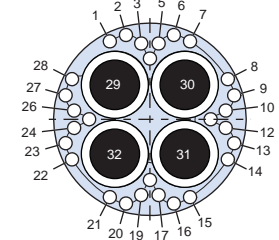
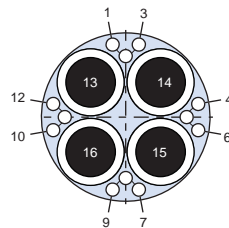
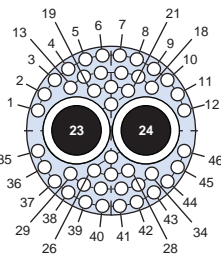
#23 ○	#16 ⊖
#20HD ⊙	#12 ⊕
#20 ●	#8 ⊗



Series 802	N/A		15-203		15-204		N/A	
Series 801	16-208		17-203		17-204		17-205	
Series 805	18-208		19-203		19-204		19-205	
No. of Contacts	1	32	4	40	4	28	1	40
Contact Size	#8	#23	#16	#23	#12	#23	#8	#23
DWV Voltage (VAC)	1800	1300	1800	1300	500	1300	500	1300
Current Rating (Amps)	46	5	13	5	5	5	5	5

**Contact Legend**

#23 ○	#16 ⊖
#20HD ⊙	#12 ⊕
#20 ●	#8 ⊗



Series 801	19-201		19-202		21-200	
Series 805	21-201		21-202		23-200	
No. of Contacts	2	44	4	12	4	28
Contact Size	#8	#23	#8	#23	#8	#23
DWV Voltage (VAC)	1800	1300	1800	1300	1800	1300
Current Rating (Amps)	46	5	46	5	46	5



# Series 80 Mighty Mouse Technical Reference

## Straight PCB Footprints - Component Mounting Side of PCB

### Insert Arrangement

### Pin Connector

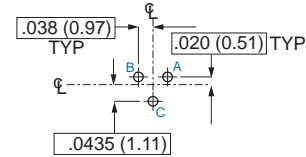
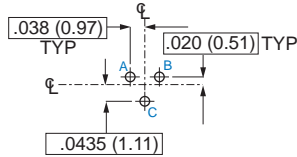
### Socket Connector



#### Insert Arrangement 5-3

3 #23 Contacts  
.022 (0.56) Max. Dia. Tail

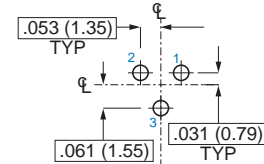
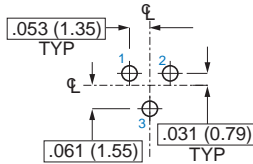
Series 801: **5-3**  
Series 800, 802, 803,804: **5-3**  
Series 805: **N/A**



#### Insert Arrangement 6-23, 8-23

3 #20HD Contacts  
.028 (0.56) Max. Dia. Tail

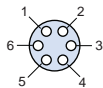
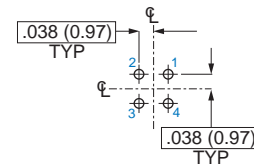
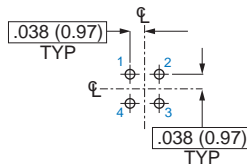
Series 801: **6-23**  
Series 800, 802, 803,804: **6-23**  
Series 805: **8-23**



#### Insert Arrangement 6-4, 8-4

4 #23 Contacts  
.022 (0.56) Max. Dia. Tail

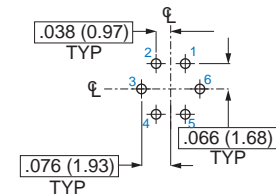
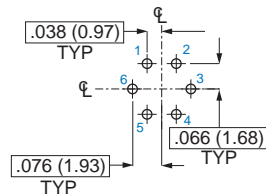
Series 801: **5-3**  
Series 800, 802, 803,804: **5-3**  
Series 805: **N/A**



#### Insert Arrangement 6-6, 8-6

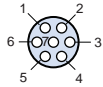
6 #23 Contacts  
.022 (0.56) Max. Dia. Tail

Series 801: **5-3**  
Series 800, 802, 803,804: **5-3**  
Series 805: **N/A**



Dimensions in Inches (millimeters) are subject to change without notice.

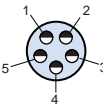
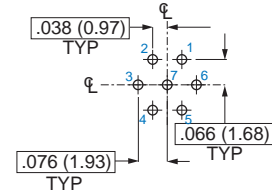
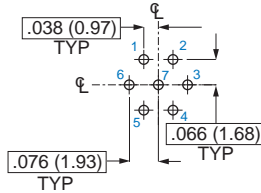
**Insert Arrangement | Pin Connector | Socket Connector**



**Insert Arrangement  
 6-7, 8-7**

7 #23 Contacts  
 .022 (0.56) Max. Dia. Tail

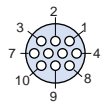
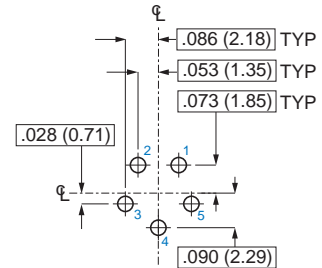
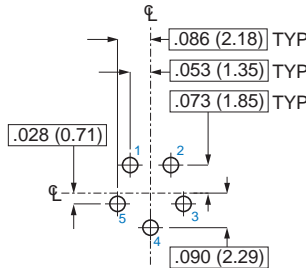
Series 801: **6-7**  
 Series 800, 802, 803,804: **6-7**  
 Series 805: **8-7**



**Insert Arrangement  
 7-25, 9-25**

5 #20HD Contacts  
 .028 (0.71) Max. Dia. Tail

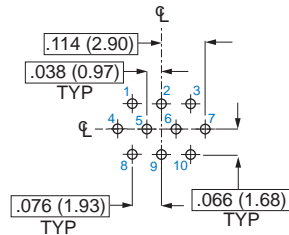
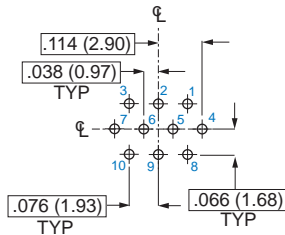
Series 801: **7-25**  
 Series 800, 802, 803,804: **7-25**  
 Series 805: **9-25**



**Insert Arrangement  
 7-10, 9-10**

10 #23 Contacts  
 .022 (0.56) Max. Dia. Tail

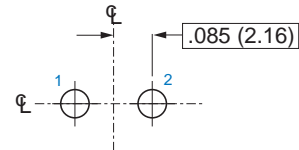
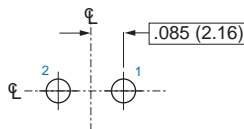
Series 801: **7-10**  
 Series 800, 802, 803,804: **7-10**  
 Series 805: **9-10**



**Insert Arrangement  
 8-2, 10-2**

2 #16 Contacts  
 .064 (1.63) Max. Dia. Tail

Series 801: **8-2**  
 Series 800, 802, 803,804: **8-2**  
 Series 805: **10-2**



Dimensions in Inches (millimeters) are subject to change without notice.



# Series 80 Mighty Mouse Technical Reference

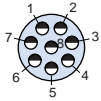
## Straight PCB Footprints - Component Mounting Side of PCB

### Insert Arrangement

### Pin Connector

### Socket Connector

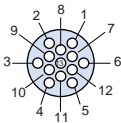
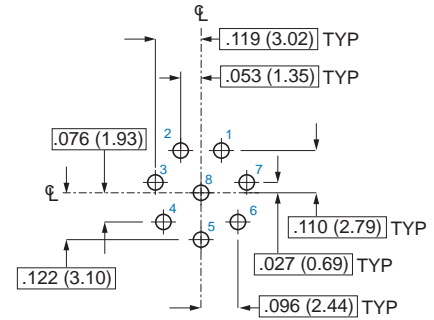
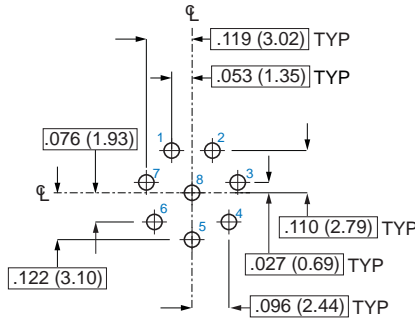
B



#### Insert Arrangement 8-28, 10-28

8 #20HD Contacts  
.028 (0.71) Max. Dia. Tail

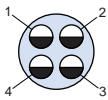
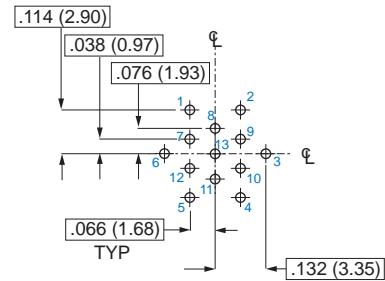
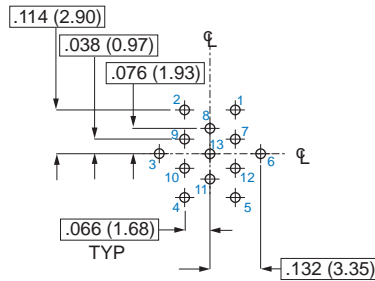
Series 801: **8-28**  
Series 800, 802, 803,804: **8-28**  
Series 805: **10-28**



#### Insert Arrangement 8-13, 10-13

13 #23 Contacts  
.022 (0.56) Max. Dia. Tail

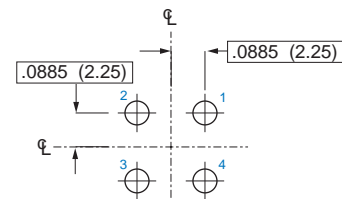
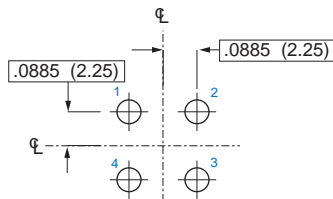
Series 801: **8-13**  
Series 800, 802, 803,804: **8-13**  
Series 805: **10-13**



#### Insert Arrangement 9-4, 11-4

4 #16 Contacts  
.064 (1.63) Max. Dia. Tail

Series 801: **9-4**  
Series 800, 802, 803,804: **9-4**  
Series 805: **11-4**



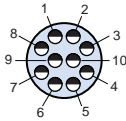
Dimensions in Inches (millimeters) are subject to change without notice.

# Series 80 Mighty Mouse Technical Reference

## Straight PCB Footprints - Component Mounting Side of PCB



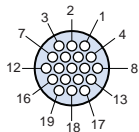
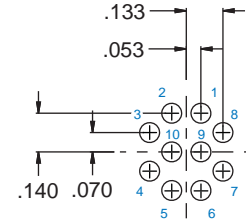
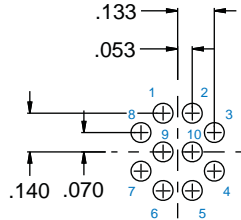
Insert Arrangement	Pin Connector	Socket Connector
--------------------	---------------	------------------



**Insert Arrangement**  
**9-210, 11-210**

10 #20HD Contacts  
.028 (0.71) Max. Dia. Tail

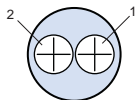
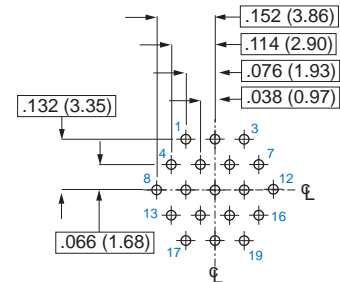
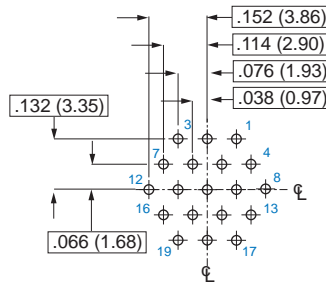
Series 801: **9-210**  
Series 800, 802, 803,804: **9-210**  
Series 805: **11-210**



**Insert Arrangement**  
**9-19, 11-19**

19 #23 Contacts  
.022 (0.56) Max. Dia. Tail

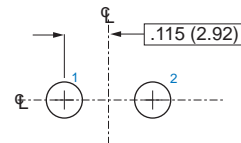
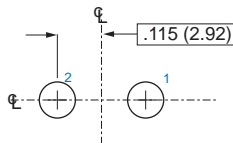
Series 801: **9-19**  
Series 800, 802, 803,804: **9-19**  
Series 805: **11-19**



**Insert Arrangement**  
**10-2, 12-2**

2 #12 Contacts  
.096 (2.44) Max Dia. Tail

Series 801: **10-2**  
Series 800, 802, 803,804: **10-2**  
Series 805: **12-2**



Dimensions in Inches (millimeters) are subject to change without notice.





# Series 80 Mighty Mouse Technical Reference

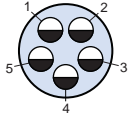
## Straight PCB Footprints - Component Mounting Side of PCB

### Insert Arrangement

### Pin Connector

### Socket Connector

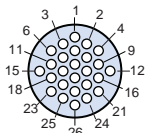
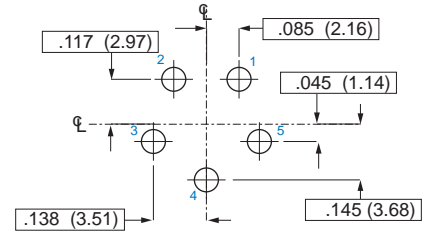
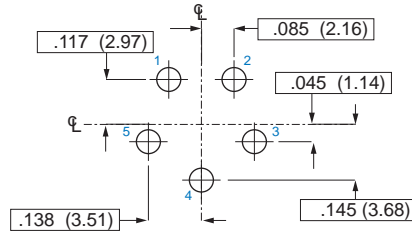
B



#### Insert Arrangement 10-5, 12-5

5 #16 Contacts  
.064 (1.63) Max. Dia. Tail

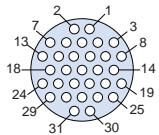
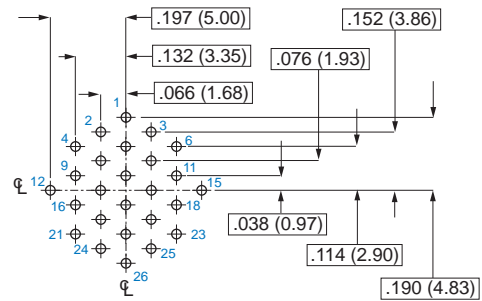
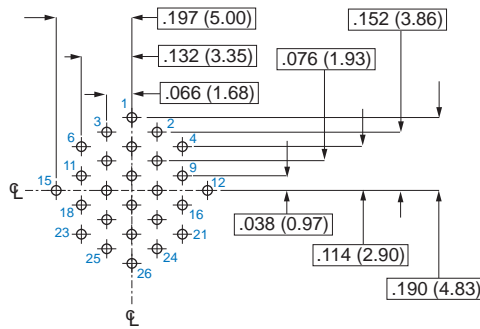
Series 801: **10-5**  
Series 800, 802, 803,804: **10-5**  
Series 805: **12-5**



#### Insert Arrangement 10-26, 12-26

26 #23 Contacts  
.022 (0.56) Max. Dia. Tail

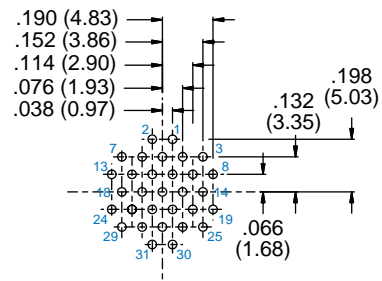
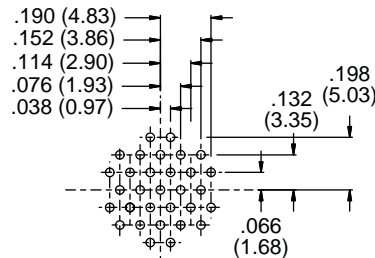
Series 801: **10-26**  
Series 800, 802, 803,804: **10-26**  
Series 805: **12-26**



#### Insert Arrangement 11-31, 13-31

26 #23 Contacts  
.022 (0.56) Max. Dia. Tail

Series 801: **10-26**  
Series 800, 802, 803,804: **10-26**  
Series 805: **12-26**



ARRANGEMENT NO. 11-31  
31 #23 CONTACTS

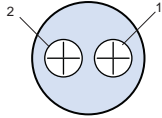
Dimensions in Inches (millimeters) are subject to change without notice.



Series 80 Mighty Mouse Technical Reference  
 Straight PCB Footprints - Component Mounting Side of PCB

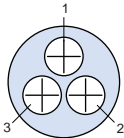
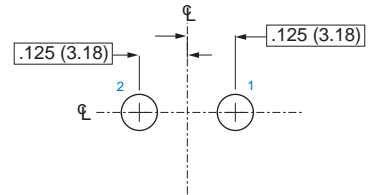
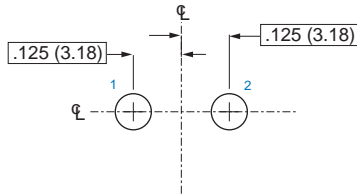


Insert Arrangement | Pin Connector | Socket Connector



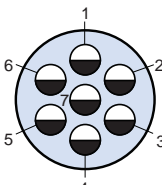
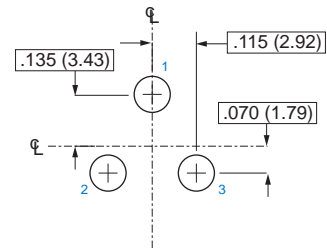
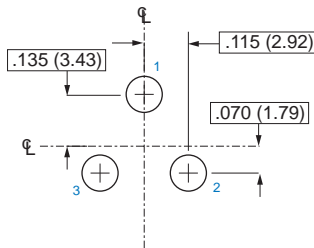
**Insert Arrangement**  
**12-2, 13-2, 15-2**  
 2 #12 Contacts  
 .096 (2.44) Max Dia. Tail

Series 801: **13-2**  
 Series 800, 802, 803,804: **12-2**  
 Series 805: **15-2**



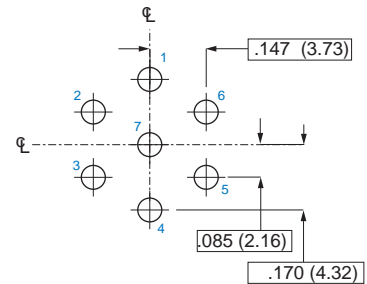
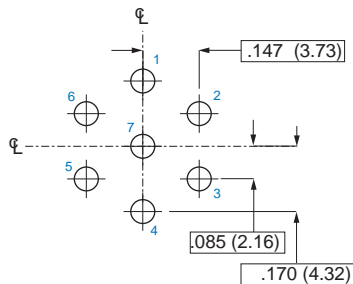
**Insert Arrangement**  
**12-3, 13-3, 15-3**  
 3 #12 Contacts  
 .096 (2.44) Max Dia. Tail

Series 801: **13-3**  
 Series 800, 802, 803,804: **12-3**  
 Series 805: **15-3**



**Insert Arrangement**  
**12-7, 13-7, 15-7**  
 7 #16 Contacts  
 .064 (1.63) Max. Dia. Tail

Series 801: **13-7**  
 Series 800, 802, 803,804: **12-7**  
 Series 805: **15-7**



Dimensions in Inches (millimeters) are subject to change without notice.





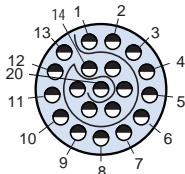
# Series 80 Mighty Mouse Technical Reference

## Straight PCB Footprints - Component Mounting Side of PCB

### Insert Arrangement

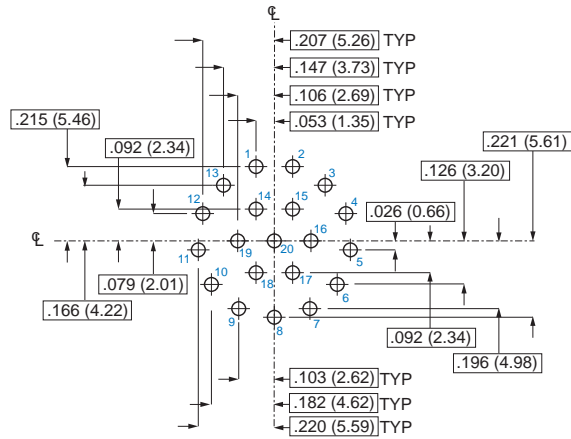
### Pin Connector

B

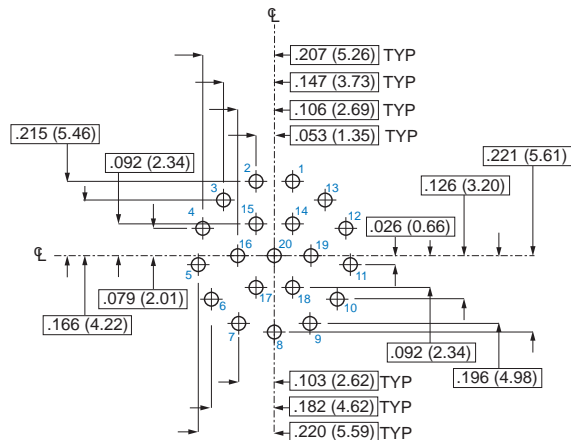


**Insert Arrangement**  
**12-220, 13-220, 15-220**  
 20 #20HD Contacts  
 .028 (0.71) Max. Dia. Tail

Series 801: **13-220**  
 Series 800, 802, 803,804: **12-220**  
 Series 805: **15-220**



### Socket Connector



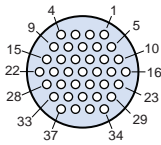
Dimensions in Inches (millimeters) are subject to change without notice.

# Series 80 Mighty Mouse Technical Reference

## Straight PCB Footprints - Component Mounting Side of PCB

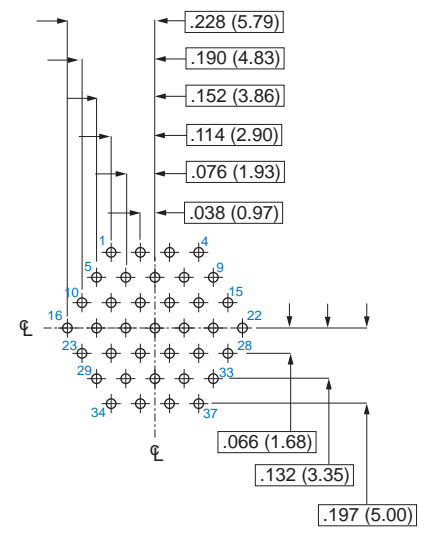
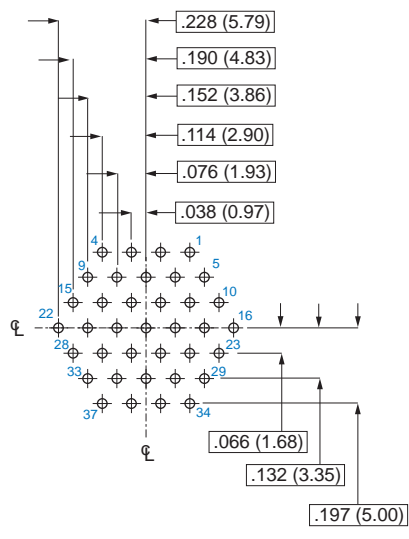


Insert Arrangement	Pin Connector	Socket Connector
--------------------	---------------	------------------



**Insert Arrangement**  
**12-37, 13-37, 15-37**  
 37 #23 Contacts  
 .022 (0.56) Max. Dia. Tail

Series 801: **13-37**  
 Series 800, 802, 803,804: **12-37**  
 Series 805: **15-37**



Dimensions in Inches (millimeters) are subject to change without notice.



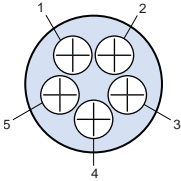
Series 80 Mighty Mouse Technical Reference  
Straight PCB Footprints - Component Mounting Side of PCB

Insert Arrangement

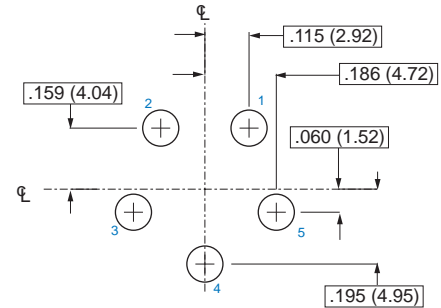
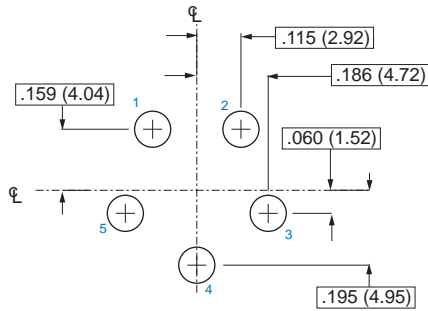
Pin Connector

Socket Connector

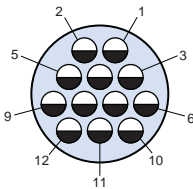
B



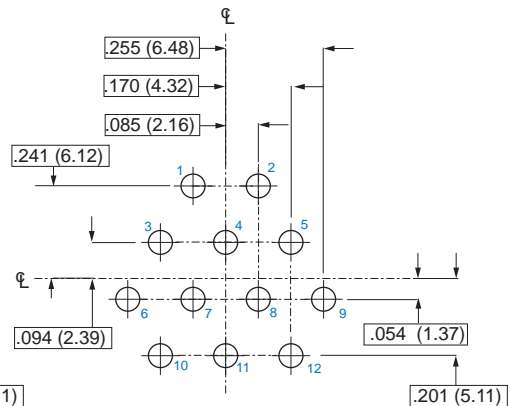
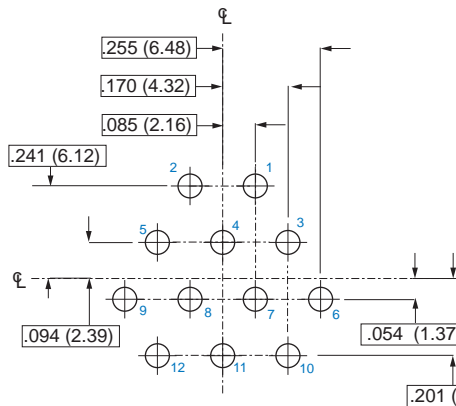
**Insert Arrangement**  
**14-5, 16-5, 18-5**  
5 #12 Contacts  
.096 (2.44) Max Dia. Tail



Series 801: **16-5**  
Series 802, 803, 804: **14-5**  
Series 805: **18-5**



**Insert Arrangement**  
**14-12, 16-12, 18-12**  
12 #16 Contacts  
.064 (1.63) Max Dia. Tail



Series 801: **16-12**  
Series 802, 803, 804: **14-121**  
Series 805: **18-12**

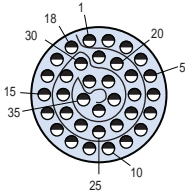
Dimensions in Inches (millimeters) are subject to change without notice.

# Series 80 Mighty Mouse Technical Reference

## Straight PCB Footprints - Component Mounting Side of PCB

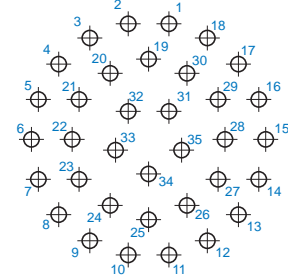
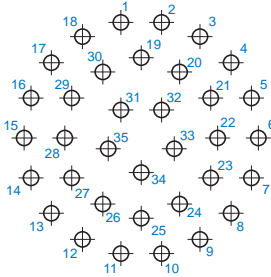


Insert Arrangement	Pin Connector	Socket Connector
--------------------	---------------	------------------

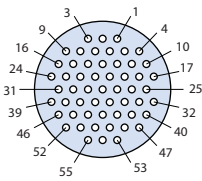


**Insert Arrangement**  
**14-235, 16-235, 18-235**  
 35 #20HD Contacts  
 .028 (0.71) Max. Dia. Tail

Series 801: **16-235**  
 Series 802, 803, 804: **14-235**  
 Series 805: **18-235**

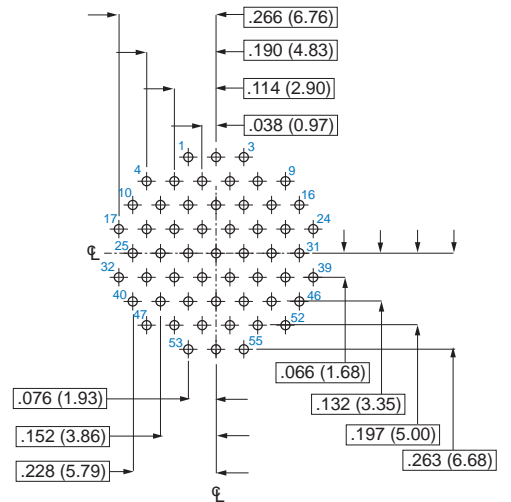
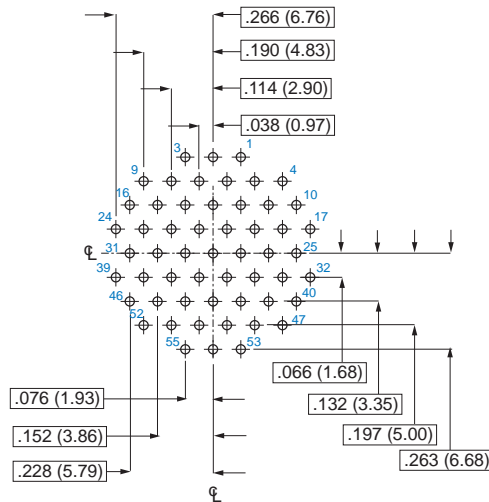


Pin No.	X		Y		Pin No.	X		Y		Pin No.	X		Y	
	In.	mm.	In.	mm.		In.	mm.	In.	mm.		In.	mm.	In.	mm.
1	-.053	-1.35	.301	7.65	13	-.234	-5.94	-.196	-4.98	25	.000	0.00	-.209	-5.31
2	.053	1.35	.301	7.65	14	-.287	-7.29	-.104	-2.64	26	-.100	-2.54	-.172	-4.37
3	.153	3.89	.264	6.71	15	-.305	-7.75	.000	0.00	27	-.181	-4.60	-.104	-2.64
4	.234	5.94	.196	4.98	16	-.287	7.29	.104	2.64	28	-.199	-5.05	.000	0.00
5	.287	7.29	.104	2.64	17	-.234	-5.94	.196	4.98	29	-.181	-4.60	.104	2.64
6	.305	7.75	.000	0.00	18	-.153	-3.89	.264	6.71	30	-.100	-2.54	.172	4.37
7	.287	7.29	-.104	-2.64	19	.000	0.00	.209	5.31	31	-.053	-1.35	.073	1.85
8	.234	5.94	-.196	-4.98	20	.100	2.54	.172	4.37	32	.053	1.35	.073	1.85
9	.153	3.89	-.264	-6.71	21	.181	4.60	.104	2.64	33	.086	2.18	-.028	-0.71
10	.053	1.35	-.301	-7.65	22	.199	5.05	.000	0.00	34	.000	0.00	-.090	-2.29
11	-.053	-1.35	-.301	-7.65	23	.181	4.60	-.104	-2.64	35	-.086	-2.18	-.028	-0.71
12	-.153	-3.89	-.264	-6.71	24	.100	2.54	-.172	-4.37					



**Insert Arrangement**  
**14-55, 16-55, 18-55**  
 55 #23 Contacts  
 .022 (0.56) Max. Dia. Tail

Series 801: **16-55**  
 Series 802, 803, 804: **14-55**  
 Series 805: **18-55**



Dimensions in Inches (millimeters) are subject to change without notice.



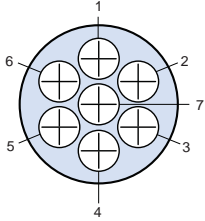
Series 80 Mighty Mouse Technical Reference  
Straight PCB Footprints - Component Mounting Side of PCB

Insert Arrangement

Pin Connector

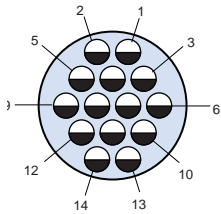
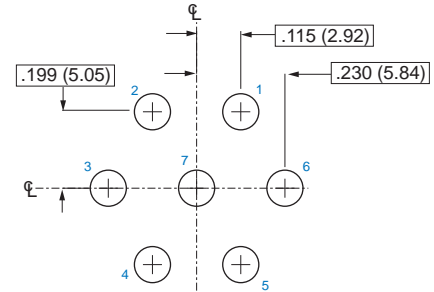
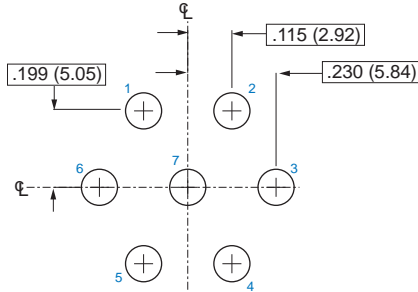
Socket Connector

B



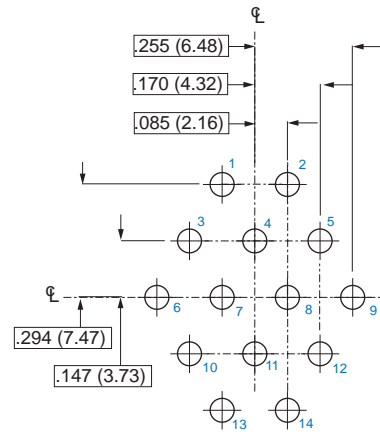
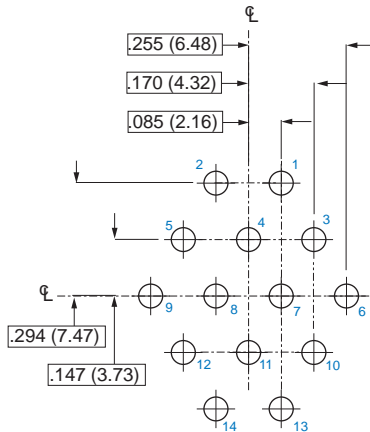
**Insert Arrangement**  
**15-7, 17-7, 19-7**  
7 #12 Contacts  
.096 (2.44) Max Dia. Tail

- Series 801: 17-7
- Series 802: 15-7
- Series 805: 19-7



**Insert Arrangement**  
**15-14, 17-14, 19-14**  
14 #16 Contacts  
.064 (1.63) Max Dia. Tail

- Series 801: 17-14
- Series 802: 15-14
- Series 805: 19-14



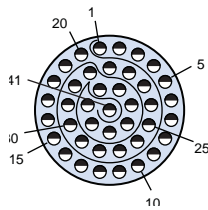
Dimensions in Inches (millimeters) are subject to change without notice.

# Series 80 Mighty Mouse Technical Reference

## Straight PCB Footprints - Component Mounting Side of PCB

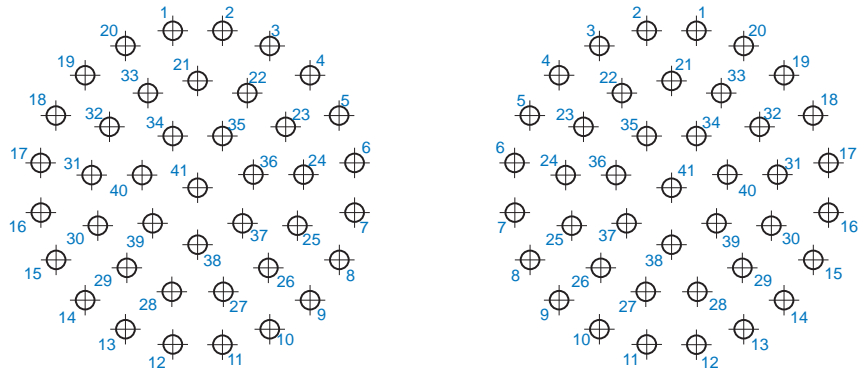


Insert Arrangement	Pin Connector	Socket Connector
--------------------	---------------	------------------



**Insert Arrangement**  
**15-241, 17-241, 18-241**  
 41 #20HD Contacts  
 .028 (0.71) Max. Dia. Tail

Series 801: **17-241**  
 Series 802: **15-241**  
 Series 805: **19-241**



Pin No.	X		Y		Pin No.	X		Y		Pin No.	X		Y	
	In.	mm.	In.	mm.		In.	mm.	In.	mm.		In.	mm.	In.	mm.
1	-.053	-1.35	.335	8.51	15	-.302	-7.67	-.154	-3.91	29	-.151	-3.84	-.171	-4.34
2	.053	1.35	.335	8.51	16	-.335	-8.51	-.053	-1.35	30	-.213	-5.41	-.081	-2.06
3	.154	3.91	.302	7.67	17	-.335	-8.51	.053	1.35	31	-.226	-5.74	.028	0.71
4	.240	6.10	.240	6.10	18	-.302	-7.67	.154	3.91	32	-.188	-4.78	.130	3.30
5	.302	7.67	.154	3.91	19	-.240	-6.10	.240	6.10	33	-.106	-2.69	.202	5.13
6	.335	8.51	.053	1.35	20	-.154	-3.91	.302	7.67	34	-.053	-1.35	.110	2.79
7	.335	8.51	-.053	-1.35	21	.000	0.00	.228	5.79	35	.053	1.35	.110	2.79
8	.302	7.67	-.154	-3.91	22	.106	2.69	.202	5.13	36	.119	3.02	.027	0.69
9	.240	6.10	-.240	-6.10	23	.188	4.78	.130	3.30	37	.096	2.44	-.076	-1.93
10	.154	3.91	-.302	-7.67	24	.226	5.74	.028	0.71	38	.000	0.00	-.122	-3.10
11	.053	1.35	-.335	-8.51	25	.213	5.41	-.081	-2.06	39	-.096	-2.44	-.076	-1.93
12	-.053	-1.35	-.335	-8.51	26	.151	3.84	-.171	-4.34	40	-.119	-3.02	.027	0.69
13	-.154	-3.91	-.302	-7.67	27	.055	1.40	-.222	-5.64	41	.000	0.00	.000	0.00
14	-.240	-6.10	-.240	-6.10	28	-.055	-1.40	-.222	-5.64					

Dimensions in Inches (millimeters) are subject to change without notice.





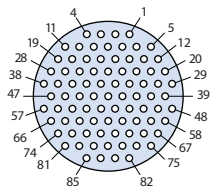
# Series 80 Mighty Mouse Technical Reference

## Straight PCB Footprints - Component Mounting Side of PCB

### Insert Arrangement

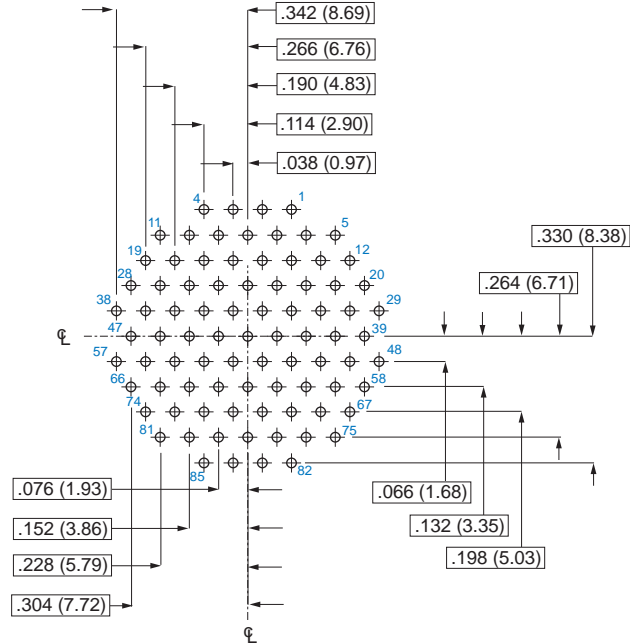
### Pin Connector

B

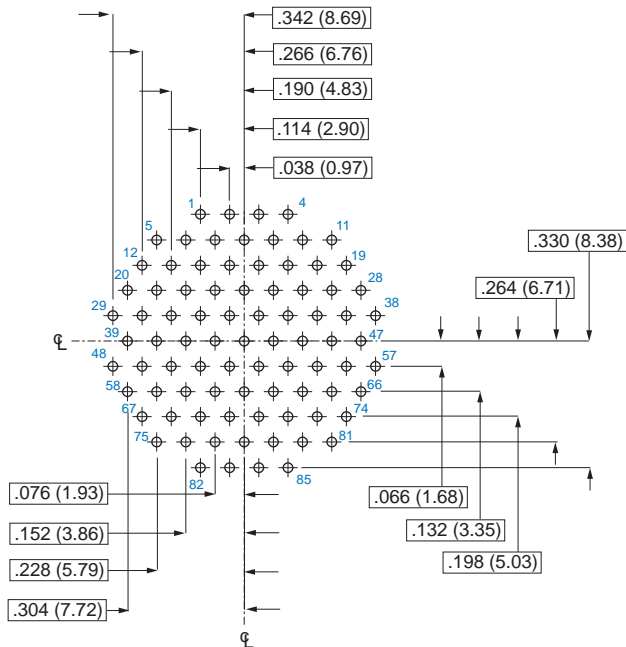


**Insert Arrangement**  
**15-85, 17-85, 19-85**  
 85 #23 Contacts  
 .022 (0.56) Max. Dia. Tail

Series 801: **17-85**  
 Series 802: **15-85**  
 Series 805: **19-85**



### Socket Connector



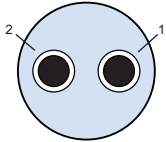
Dimensions in Inches (millimeters) are subject to change without notice.



Series 80 Mighty Mouse Technical Reference  
 Straight PCB Footprints - Component Mounting Side of PCB

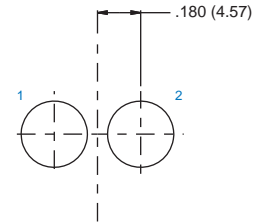
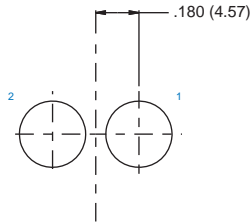


Insert Arrangement	Pin Connector	Socket Connector
--------------------	---------------	------------------

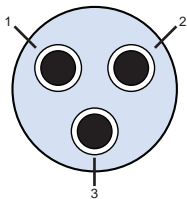


**Insert Arrangement**  
**16-2, 18-2**  
 2 #8 Contacts  
 .182 (4.62) Max. Dia. Tail

Series 801: **16-2**  
 Series 805: **18-2**

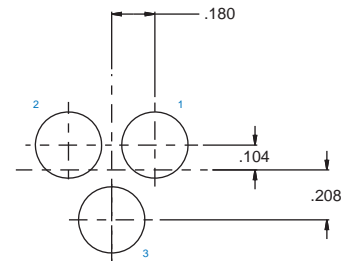
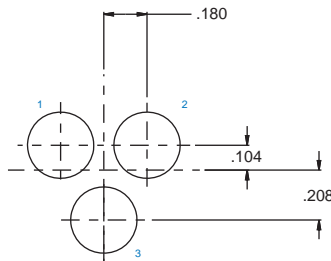


B



**Insert Arrangement**  
**17-3, 19-3**  
 3 #8 Contacts  
 .182 (4.62) Max. Dia. Tail

Series 801: **17-3**  
 Series 805: **19-3**



Dimensions in Inches (millimeters) are subject to change without notice.



# Series 80 Mighty Mouse Technical Reference

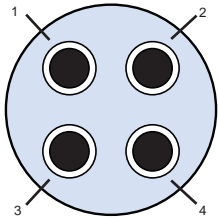
## Straight PCB Footprints - Component Mounting Side of PCB

### Insert Arrangement

### Pin Connector

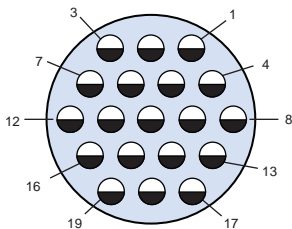
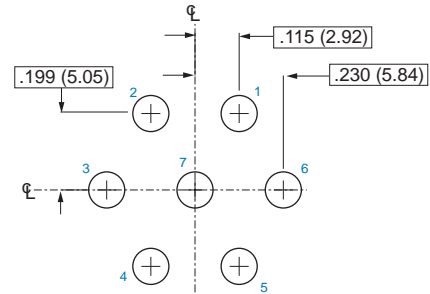
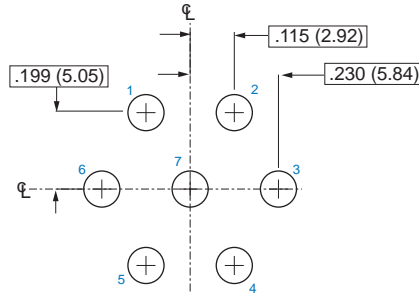
### Socket Connector

B



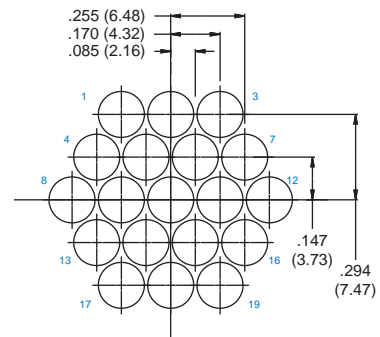
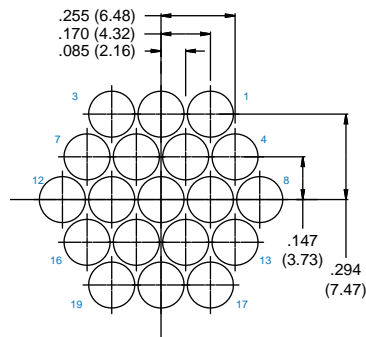
**Insert Arrangement**  
**19-4, 21-4**  
4 #8 Contacts  
.182 (4.62) Max Dia. Tail

Series 801: 19-4  
Series 805: 21-4



**Insert Arrangement**  
**19-19, 19-19, 21-19**  
19 #16 Contacts  
.064 (1.63) Max Dia. Tail

Series 801: 19-19  
Series 802: 19-19  
Series 805: 21-19



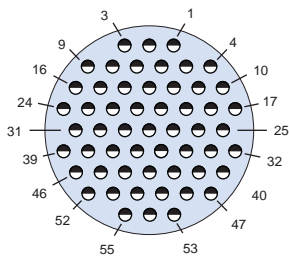
Dimensions in Inches (millimeters) are subject to change without notice.

# Series 80 Mighty Mouse Technical Reference

## Straight PCB Footprints - Component Mounting Side of PCB

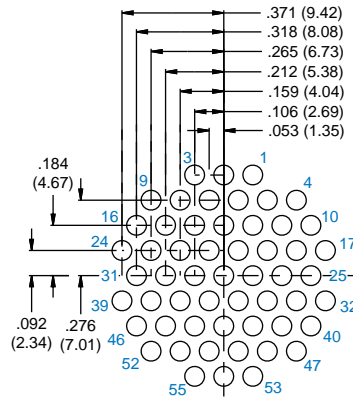


### Insert Arrangement Pin Connector

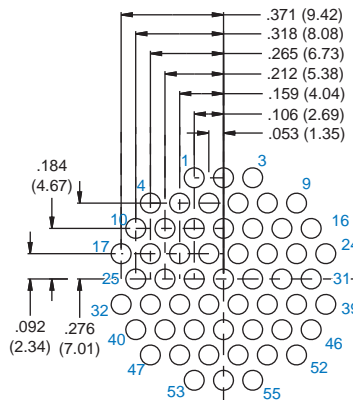


**Insert Arrangement**  
**19-255 21-255**  
 55 #20HD Contacts  
 .028 (0.71) Max. Dia. Tail

- Series 801: **19-255**
- Series 802: **19-255**
- Series 805: **21-255**



### Socket Connector



Dimensions in Inches (millimeters) are subject to change without notice.





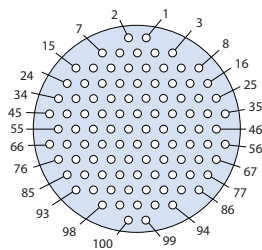
# Series 80 Mighty Mouse Technical Reference

## Straight PCB Footprints - Component Mounting Side of PCB

### Insert Arrangement

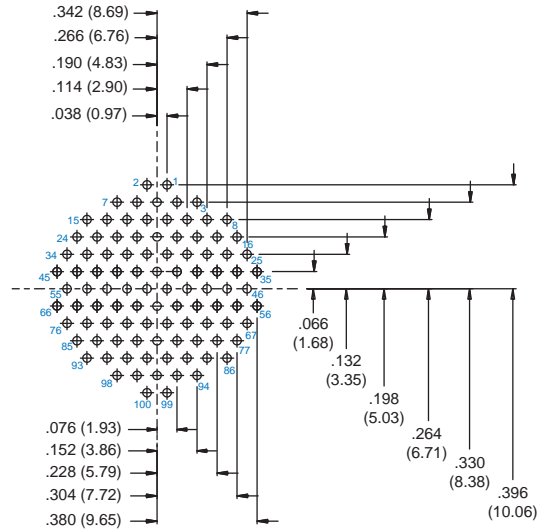
### Pin Connector

B

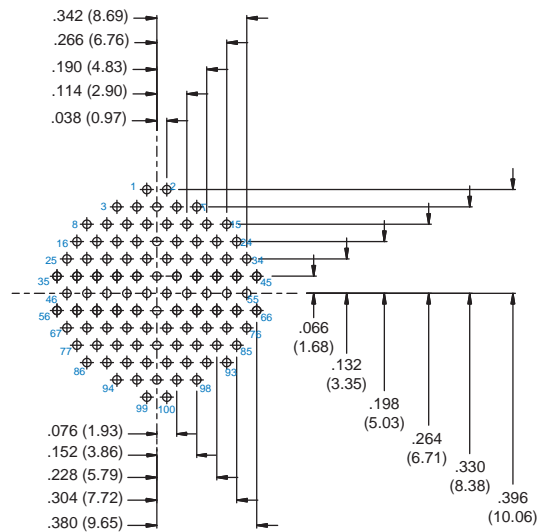


**Insert Arrangement**  
**19-100 21-100**  
 100 #23 Contacts  
 .022 (.559) Max Dia

Series 801: **19-100**  
 Series 802: **19-100**  
 Series 805: **21-100**



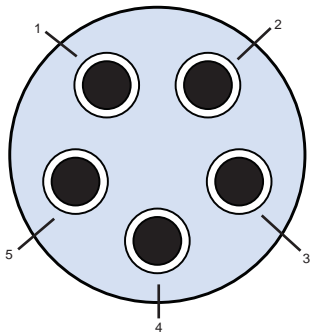
### Socket Connector



Dimensions in Inches (millimeters) are subject to change without notice.

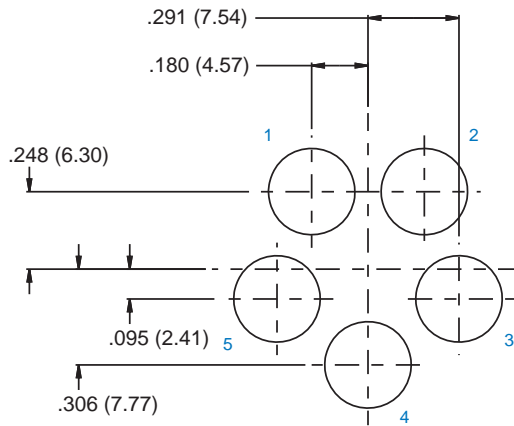
Insert Arrangement

Pin Connector

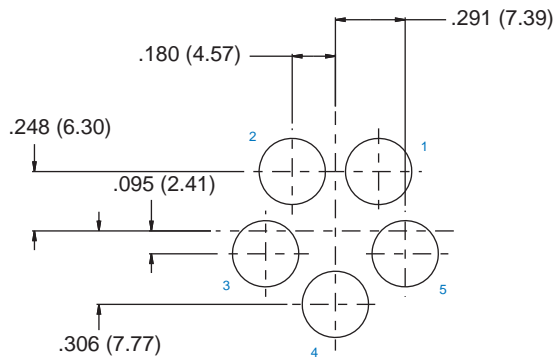


**Insert Arrangement**  
**21-5, 23-5**  
 5 #8 Contacts  
 .182 (4.62) Max Dia. Tail

Series 801: **21-5**  
 Series 805: **23-5**



Socket Connector



Dimensions in Inches (millimeters) are subject to change without notice.

B



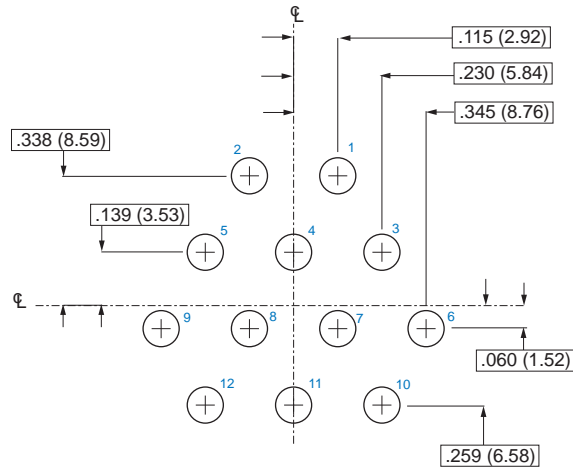
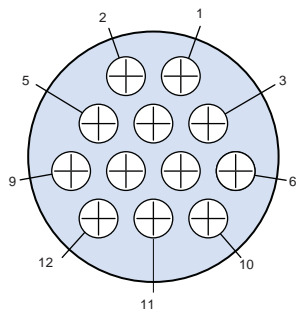
# Series 80 Mighty Mouse Technical Reference

## Straight PCB Footprints - Component Mounting Side of PCB

### Insert Arrangement

### Pin Connector

B



### Socket Connector

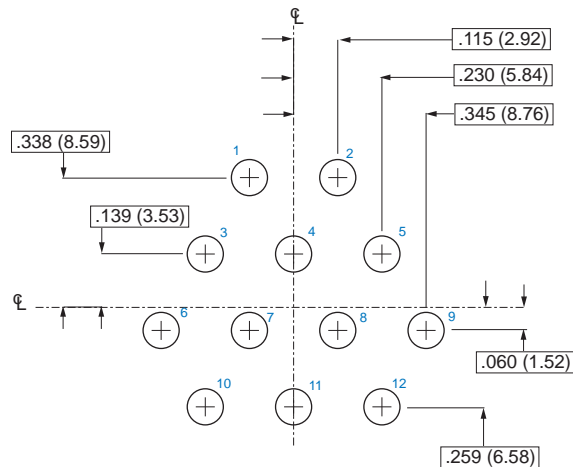
#### Insert Arrangement

**21-12, 23-12**

12 #12 Contacts

.096 (2.44) Max Dia

Series 801: **21-12**  
 Series 802 : **21-12**  
 Series 805: **23-12**



Dimensions in Inches (millimeters) are subject to change without notice.

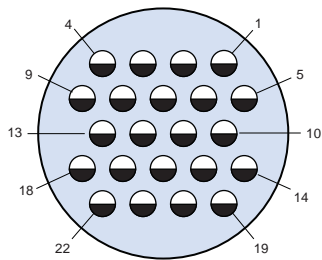
# Series 80 Mighty Mouse Technical Reference

## Straight PCB Footprints - Component Mounting Side of PCB



### Insert Arrangement

### Pin Connector



#### Insert Arrangement

**21-22, 23-22**

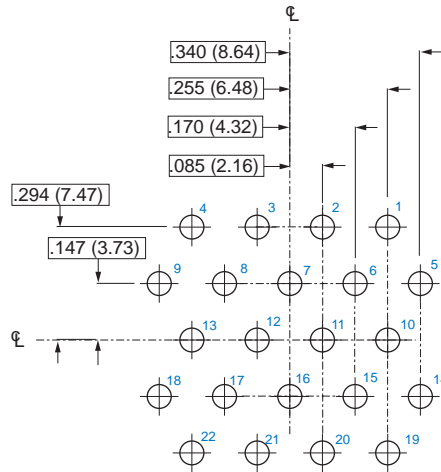
22 #16 Contacts

.064 (1.63 Max. Dia. Tail)

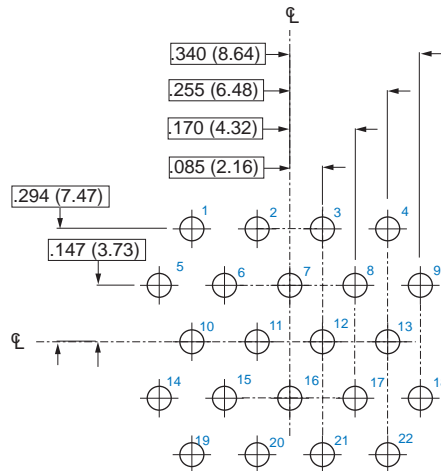
Series 801: **21-22**

Series 800,802, 803, 804: **21-22**

Series 805: **23-22**



### Socket Connector



Dimensions in Inches (millimeters) are subject to change without notice.





# Series 80 Mighty Mouse Technical Reference

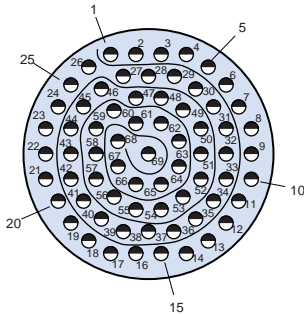
## Straight PCB Footprints - Component Mounting Side of PCB

### Insert Arrangement

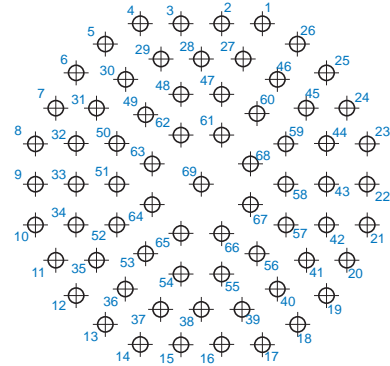
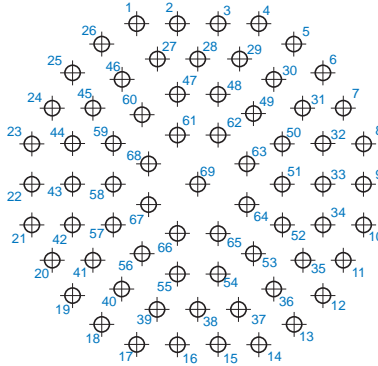
### Pin Connector

### Socket Connector

B



**Insert Arrangement**  
**21-269, 23-269**  
 69 #20HD Contacts  
 .028 (0.71) Max. Dia. Tail



Series 801: **21-269**  
 Series 804: **21-269**  
 Series 805: **23-269**

Pin No.	X		Y		Pin No.	X		Y		Pin No.	X		Y	
	In.	mm.	In.	mm.		In.	mm.	In.	mm.		In.	mm.	In.	mm.
1	-.159	-4.04	.418	10.62	24	-.379	-9.63	.198	5.03	47	-.053	-1.35	.234	5.94
2	-.053	-1.35	.418	10.62	25	-.326	-8.28	.290	7.37	48	.053	1.35	.234	5.94
3	.053	1.35	.418	10.62	26	-.251	-6.38	.365	9.27	49	.145	3.68	.181	4.60
4	.159	4.04	.418	10.62	27	-.106	-2.69	.326	8.28	50	.220	5.59	.106	2.69
5	.251	6.38	.365	9.27	28	.000	0.00	.326	8.28	51	.220	5.59	.000	0.00
6	.326	8.28	.290	7.37	29	.106	-2.69	.326	8.28	52	.220	5.59	-.106	-2.69
7	.379	9.63	.198	5.03	30	.198	5.03	.273	6.93	53	.145	3.68	-.181	-4.60
8	.432	10.97	.106	2.69	31	.273	6.93	.198	5.03	54	.053	1.35	-.234	-5.94
9	.432	10.97	.000	0.00	32	.326	8.28	.106	2.69	55	-.053	-1.35	-.234	-5.94
10	.432	10.97	-.106	-2.69	33	.326	8.28	.000	0.00	56	-.145	-3.68	-.181	-4.60
11	.379	9.63	-.198	-5.03	34	.326	8.28	-.106	-2.69	57	-.220	-5.59	-.106	-2.69
12	.326	8.28	-.290	-7.37	35	.273	6.93	-.198	-5.03	58	.220	-5.59	.000	0.00
13	.251	6.38	-.365	-9.27	36	.198	5.03	-.273	-6.93	59	-.220	-5.59	.106	2.69
14	.159	4.04	-.418	-10.62	37	.106	2.69	-.326	-8.28	60	-.145	-3.68	.181	4.60
15	.053	1.35	-.418	-10.62	38	.000	0.00	-.326	-8.28	61	-.053	-1.35	.128	3.25
16	-.053	-1.35	-.418	-10.62	39	-.106	-2.69	-.326	-8.28	62	.053	1.35	.128	3.25
17	-.159	-4.04	-.418	-10.62	40	-.198	-5.03	-.273	-6.93	63	.128	3.25	.053	1.35
18	-.251	-6.38	-.365	-9.27	41	-.273	-6.93	-.198	-5.03	64	.128	3.25	-.053	-1.35
19	-.326	-8.28	-.290	-7.37	42	-.326	-8.28	-.106	-2.69	65	.053	1.35	-.128	-3.25
20	-.379	-9.63	-.198	-5.03	43	-.326	-8.28	.000	0.00	66	-.053	-1.35	-.128	-3.25
21	-.432	-10.97	-.106	-2.69	44	-.326	-8.28	.106	2.69	67	-.128	-3.25	-.053	-1.35
22	-.432	-10.97	.000	0.00	45	-.273	-6.93	.198	5.03	68	-.128	-3.25	.053	1.35
23	-.432	-10.97	.106	2.69	46	-.198	-5.03	.273	6.93	69	.000	0.00	.000	0.00

Dimensions in Inches (millimeters) are subject to change without notice.



# Series 80 Mighty Mouse Technical Reference

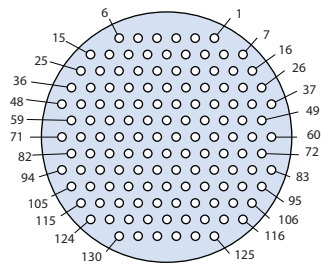
## Straight PCB Footprints - Component Mounting Side of PCB



B

### Insert Arrangement

### Pin Connector



#### Insert Arrangement

**21-130, 23-130**

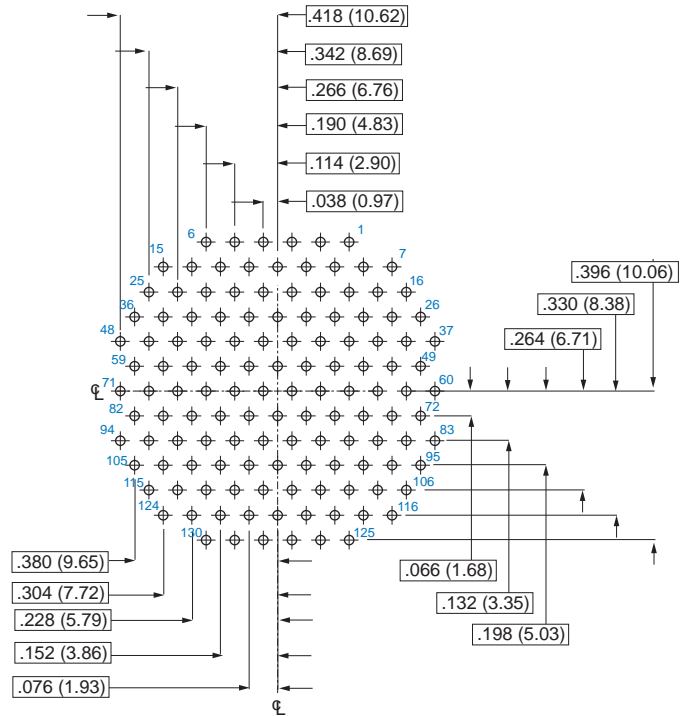
130 #23 Contacts

.022 (0.56) Max. Dia. Tail

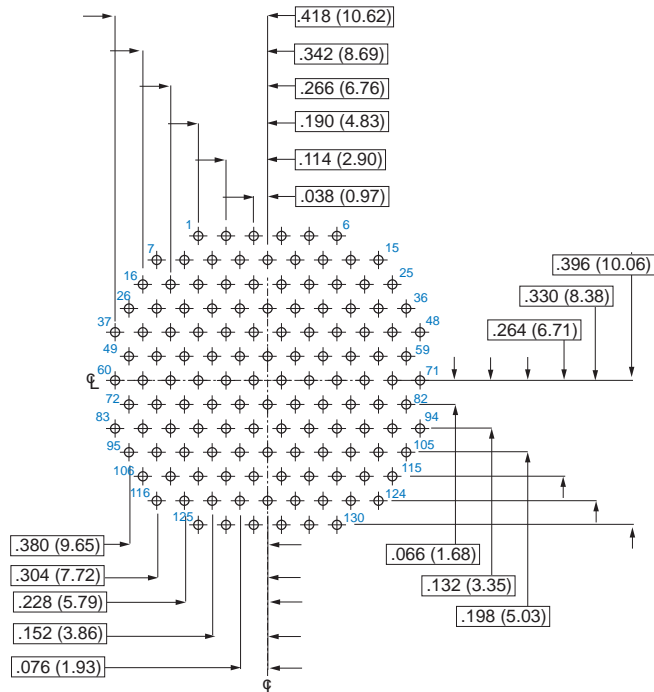
Series 801: **21-130**

Series 804: **21-130**

Series 805: **23-130**



### Socket Connector



Dimensions in Inches (millimeters) are subject to change without notice.



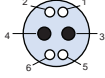
# Series 80 Mighty Mouse Technical Reference Combo Arrangements

Straight PCB Footprints - Component Mounting Side of PCB

## Insert Arrangement

## Pin Connector

## Socket Connector



### Insert Arrangement

**8-200, 10-200**

2 #20 Contacts

.028 (0.71) Max. Dia. Tail

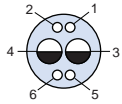
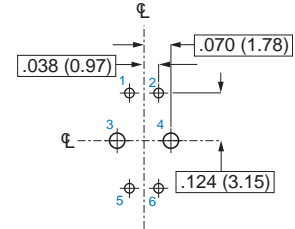
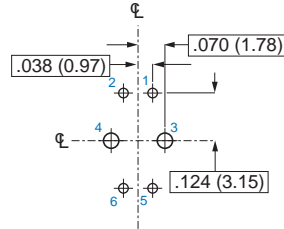
4 #23 Contacts

.022 (0.56) Max. Dia. Tail

Series 801: **8-200**

Series 800, 802, 803,804: **8-200**

Series 805: **10-200**



### Insert Arrangement

**9-200, 11-200**

4 #23 Contacts

.022 (0.56) Max. Dia. Tail

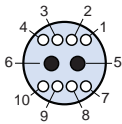
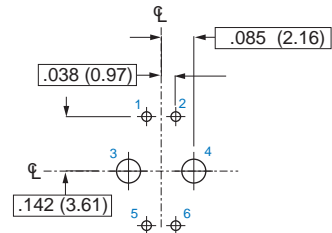
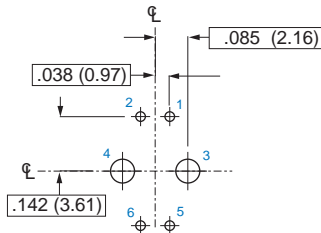
2 #16 Contacts

.064 (1.63) Max. Dia. Tail

Series 801: **9-200**

Series 800, 802, 803,804: **9-200**

Series 805: **11-200**



### Insert Arrangement

**9-201, 11-201**

2 #20 Contacts

.028 (0.71) Max Dia Tail

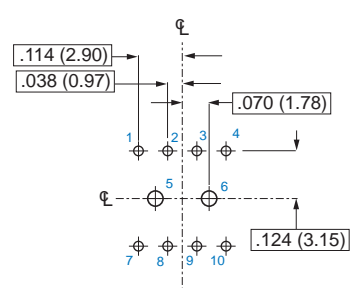
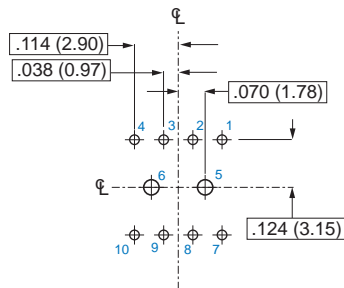
8 #23 Contacts

.022 (0.56) Max Dia Tail

Series 801: **9-201**

Series 800, 802, 803,804: **9-201**

Series 805: **11-201**



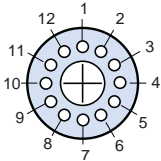
Dimensions in Inches (millimeters) are subject to change without notice.

# Series 80 Mighty Mouse Technical Reference Combo Arrangements

Straight PCB Footprints - Component Mounting Side of PCB



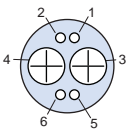
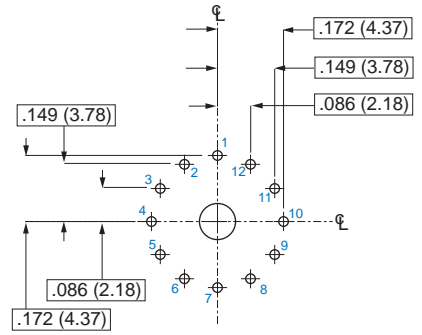
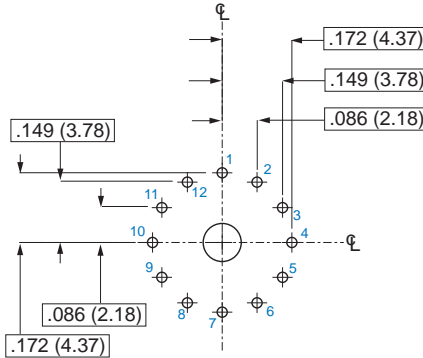
Insert Arrangement	Pin Connector	Socket Connector
--------------------	---------------	------------------



**Insert Arrangement  
10-200, 12-200**

1 #12 Contact  
.096 (2.44) Max Dia Tail  
12 #23 Contacts  
.022 (0.56) Max. Dia. Tail

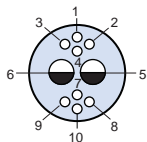
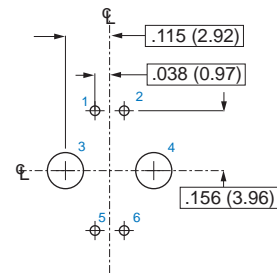
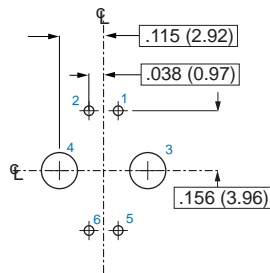
Series 801: **10-200**  
Series 800, 802, 803,804: **10-200**  
Series 805: **12-200**



**Insert Arrangement  
10-201, 12-201**

2 #12 Contacts  
.096 (2.44) Max. Dia. Tail  
4 #23 Contacts  
.022 (0.56) Max. Dia. Tail

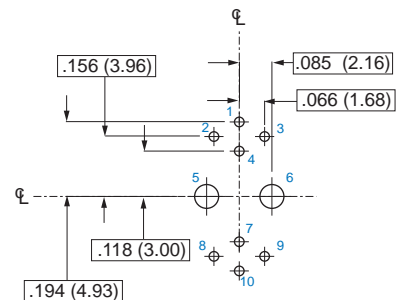
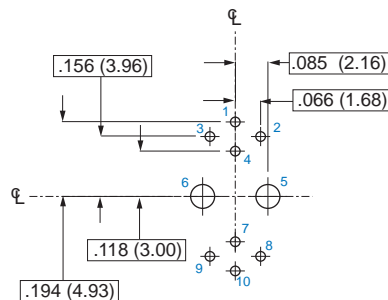
Series 801: **10-201**  
Series 800, 802, 803,804: **10-201**  
Series 805: **12-201**



**Insert Arrangement  
10-202, 12-202**

2 #16 Contacts  
.064 (1.63) Max. Dia. Tail  
8 #23 Contacts  
.022 (0.5 Max. Dia. Tail)

Series 801: **10-203**  
Series 800, 802, 803,804: **10-202**  
Series 805: **12-202**



Dimensions in Inches (millimeters) are subject to change without notice.





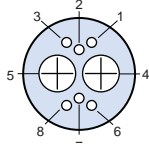
# Series 80 Mighty Mouse Technical Reference Combo Arrangements

## Straight PCB Footprints - Component Mounting Side of PCB

### Insert Arrangement

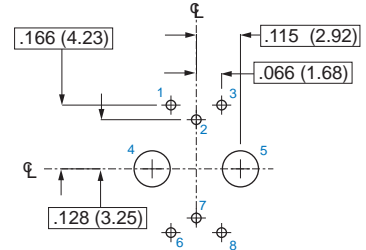
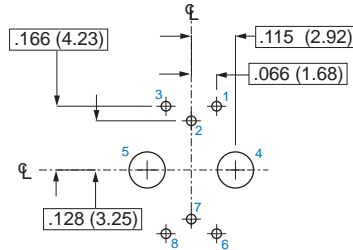
### Pin Connector

### Socket Connector

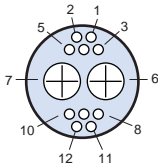


#### Insert Arrangement 12-200, 13-200, 15-200

- 2 #12 Contacts
- .096 (2.44) Max. Dia. Tail
- 6 #23 Contacts
- .022 (0.56) Max. Dia. Tail

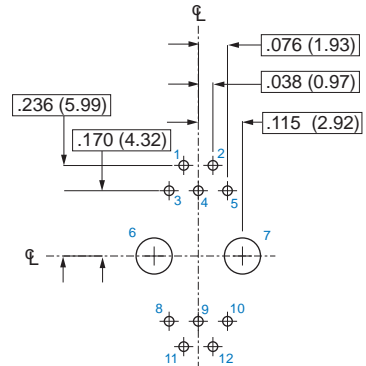
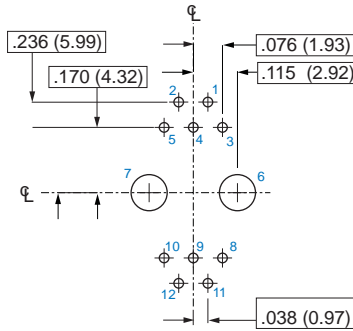


- Series 801: **13-200**
- Series 800, 802, 803,804: **12-200**
- Series 805: **15-200**

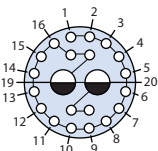


#### Insert Arrangement 12-201, 13-201, 15-201

- 2 #12 Contacts
- .096 (2.44) Max. Dia. Tail
- 10 #23 Contacts
- .022 (0.56) Max. Dia. Tail

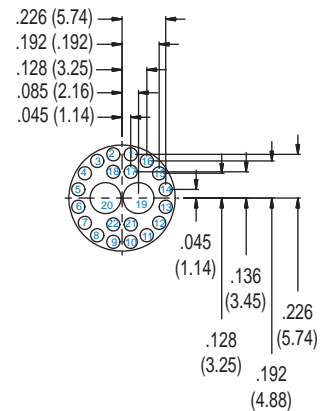
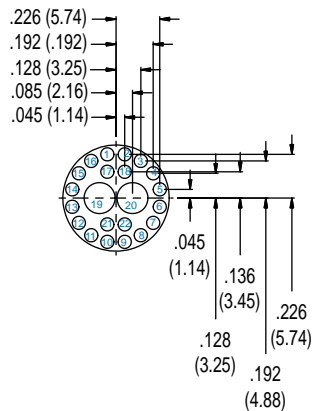


- Series 801: **13-201**
- Series 800, 802, 803,804: **12-201**
- Series 805: **15-201**



#### Insert Arrangement 12-202, 13-202, 15-202

- 2 #16 Contacts
- .064 (1.63) Max. Dia. Tail
- 20 #23 Contacts
- .028 (0.71) Max. Dia. Tail



- Series 801: **13-202**
- Series 800, 802, 803,804: **12-202**
- Series 805: **15-202**

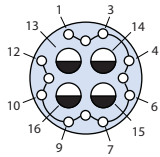
Dimensions in Inches (millimeters) are subject to change without notice.

# Series 80 Mighty Mouse Technical Reference Combo Arrangements

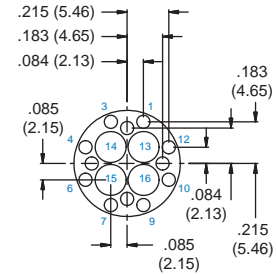
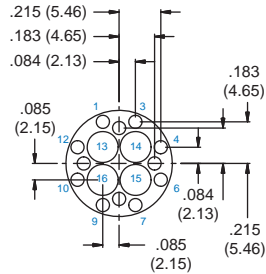
Straight PCB Footprints - Component Mounting Side of PCB



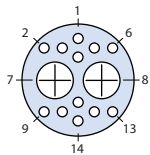
<b>Insert Arrangement</b>	<b>Pin Connector</b>	<b>Socket Connector</b>
---------------------------	----------------------	-------------------------



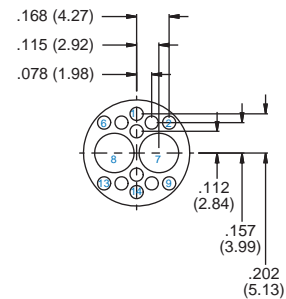
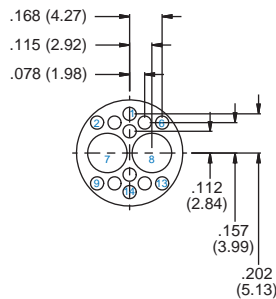
**Insert Arrangement**  
**12-203, 13-203, 15-203**  
 4 #16 Contacts  
 .064 (1.63) Max. Dia. Tail  
 12 #23 Contacts  
 .022 (0.71) Max. Dia. Tail



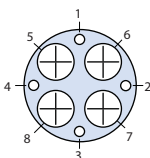
Series 801: **13-203**  
 Series 800, 802, 803,804: **12-203**  
 Series 805: **15-203**



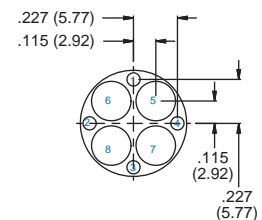
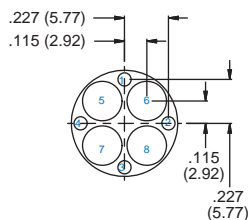
**Insert Arrangement**  
**12-204, 13-204, 15-204**  
 2 #12 Contacts  
 .096 (2.44) Max. Dia. Tail  
 12 #23 Contacts  
 .022 (0.71) Max. Dia. Tail



Series 801: **13-204**  
 Series 800, 802, 803,804: **12-204**  
 Series 805: **15-204**



**Insert Arrangement**  
**12-205, 13-205, 15-205**  
 4 #12 Contacts  
 .096 (2.44) Max. Dia. Tail  
 4 #23 Contacts  
 .022 (0.71) Max. Dia. Tail



Series 801: **13-205**  
 Series 800, 802, 803,804: **12-205**  
 Series 805: **15-205**

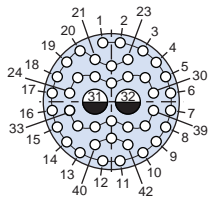
Dimensions in Inches (millimeters) are subject to change without notice.



# Series 80 Mighty Mouse Technical Reference Combo Arrangements

## Straight PCB Footprints - Component Mounting Side of PCB

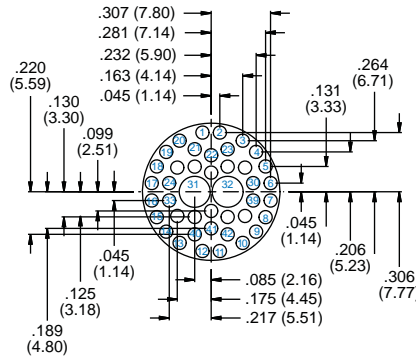
### Insert Arrangement



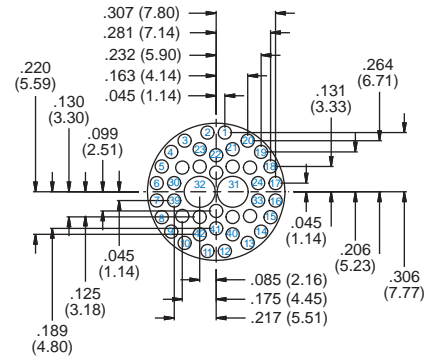
**Insert Arrangement**  
**14-204, 16-204, 18-204**  
 2 #16 Contacts  
 .064 (1.63) Max. Dia. Tail  
 40 #23 Contacts  
 .022 (0.71) Max. Dia. Tail

Series 801: **16-204**  
 Series 802, 803,804: **14-204**  
 Series 805: **18-204**

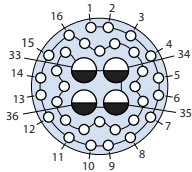
### Pin Connector



### Socket Connector

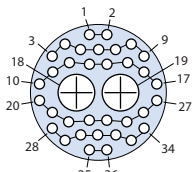
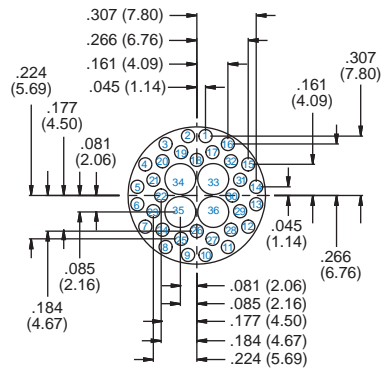
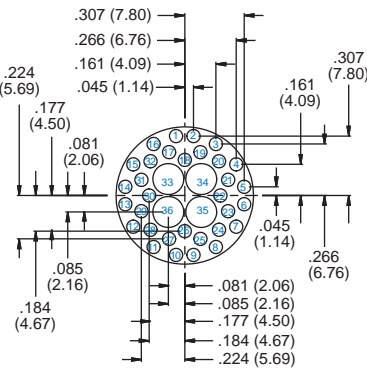


B



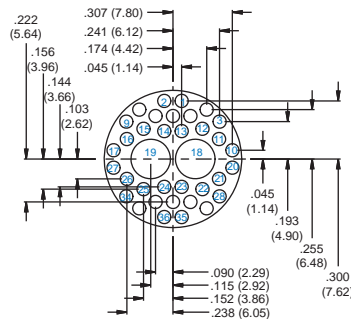
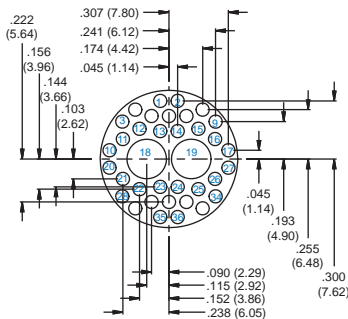
**Insert Arrangement**  
**14-205, 16-205, 18-205**  
 4 #16 Contacts  
 .064 (1.63) Max. Dia. Tail  
 32 #23 Contacts  
 .022 (0.71) Max. Dia. Tail

Series 801: **16-205**  
 Series 802, 803,804: **14-205**  
 Series 805: **18-205**



**Insert Arrangement**  
**14-206, 16-206, 18-206**  
 2 #12 Contacts  
 .096 (2.44) Max. Dia. Tail  
 34 #23 Contacts  
 .022 (0.71) Max. Dia. Tail

Series 801: **16-206**  
 Series 802, 803,804: **14-206**  
 Series 805: **18-206**



Dimensions in Inches (millimeters) are subject to change without notice.

# Series 80 Mighty Mouse Technical Reference Combo Arrangements

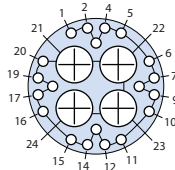
Straight PCB Footprints - Component Mounting Side of PCB



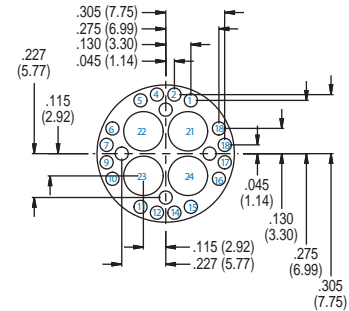
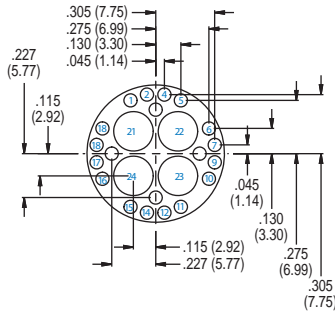
General  
Information

**B**

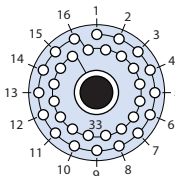
Insert Arrangement	Pin Connector	Socket Connector
--------------------	---------------	------------------



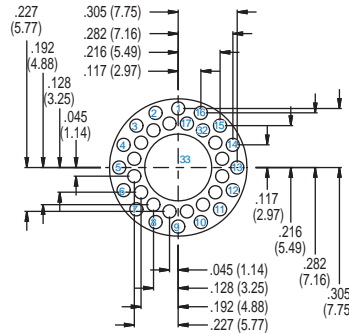
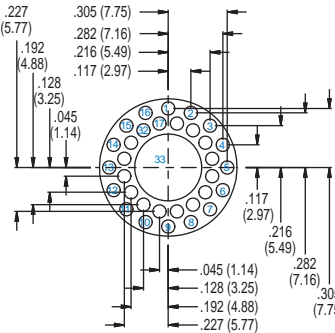
**Insert Arrangement**  
**14-207, 16-207, 18-207**  
 4 #12 Contacts  
 .096 (2.44) Max. Dia. Tail  
 20 #23 Contacts  
 .022 (0.71) Max. Dia. Tail



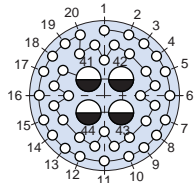
Series 801: **16-207**  
 Series 802, 803, 804: **14-207**  
 Series 805: **18-207**



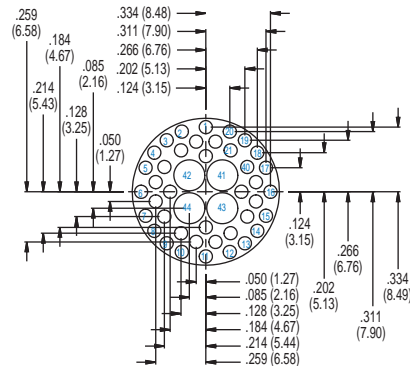
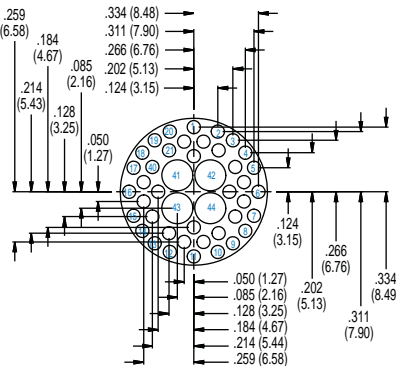
**Insert Arrangement**  
**16-208, 18-208**  
 1 #8 Contacts  
 .182 (4.62) Max. Dia. Tail  
 32 #23 Contacts  
 .022 (0.71) Max. Dia. Tail



Series 801: **16-208**  
 Series 805: **18-208**



**Insert Arrangement**  
**15-203, 17-203, 19-203**  
 4 #16 Contacts  
 .064 (1.63) Max. Dia. Tail  
 40 #23 Contacts  
 .022 (0.71) Max. Dia. Tail



Series 801: **17-203**  
 Series 802: **15-203**  
 Series 805: **19-203**

Dimensions in Inches (millimeters) are subject to change without notice.



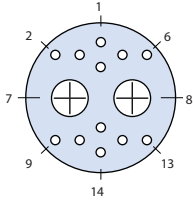
# Series 80 Mighty Mouse Technical Reference Combo Arrangements

Straight PCB Footprints - Component Mounting Side of PCB

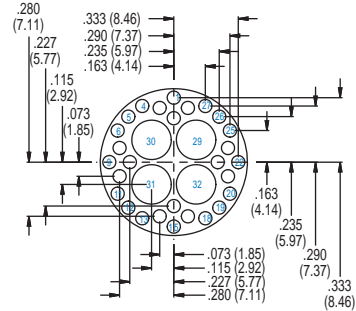
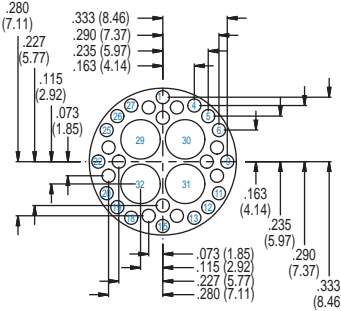
## Insert Arrangement

## Pin Connector

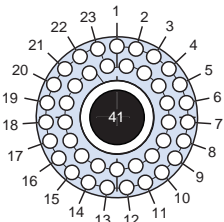
## Socket Connector



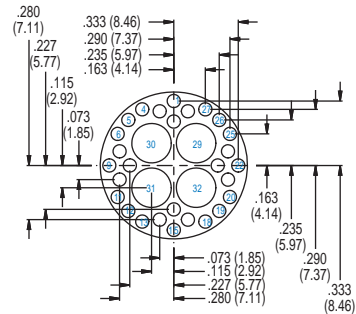
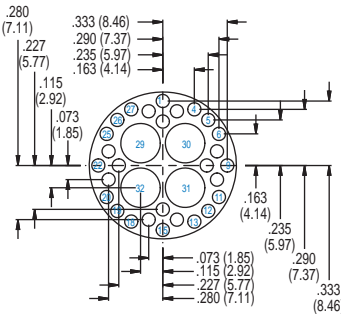
**Insert Arrangement**  
**15-204, 17-204, 19-204**  
4 #12 Contacts  
.096 (2.44) Max. Dia. Tail  
28 #23 Contacts  
.022 (0.71) Max. Dia. Tail



Series 801: **17-204**  
Series 802: **15-204**  
Series 805: **19-204**



**Insert Arrangement**  
**17-205, 19-205**  
1 #8 Contacts  
.182 (4.62) Max. Dia. Tail  
40 #23 Contacts  
.022 (0.71) Max. Dia. Tail



Series 801: **17-205**  
Series 805: **19-205**

Dimensions in Inches (millimeters) are subject to change without notice.

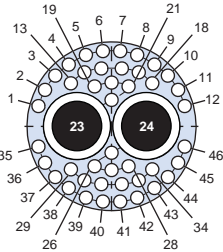


# Series 80 Mighty Mouse Technical Reference Combo Arrangements

Straight PCB Footprints - Component Mounting Side of PCB

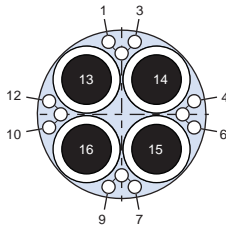
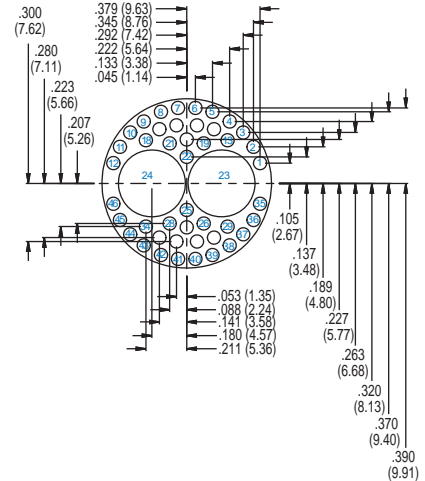
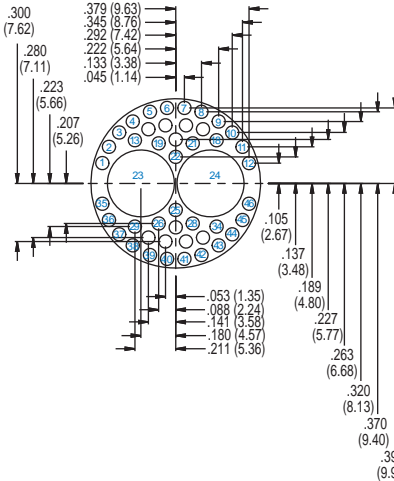


Insert Arrangement	Pin Connector	Socket Connector
--------------------	---------------	------------------



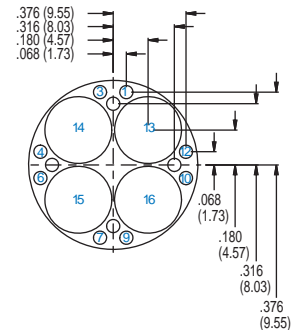
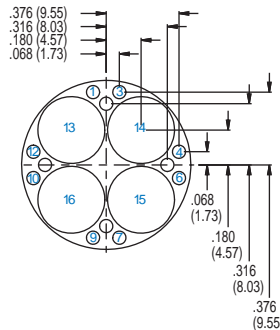
**Insert Arrangement**  
**19-201, 21-201**  
 2 #8 Contacts  
 .182 (4.62) Max. Dia. Tail  
 44 #23 Contacts  
 .022 (0.71) Max. Dia. Tail

Series 801: **19-201**  
 Series 805: **21-201**



**Insert Arrangement**  
**19-202, 21-202**  
 4 #8 Contacts  
 .182 (4.62) Max. Dia. Tail  
 12 #23 Contacts  
 .022 (0.71) Max. Dia. Tail

Series 801: **19-202**  
 Series 805: **21-202**



Dimensions in Inches (millimeters) are subject to change without notice.



# Series 80 Mighty Mouse Technical Reference Combo Arrangements

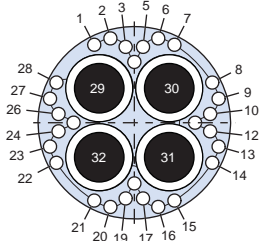
## Straight PCB Footprints - Component Mounting Side of PCB

### Insert Arrangement

### Pin Connector

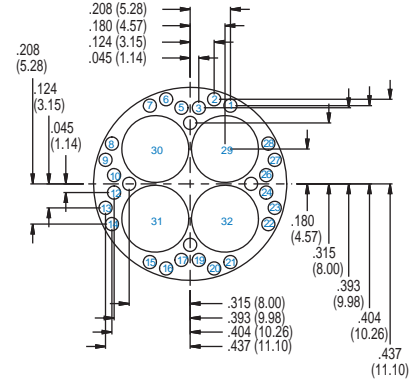
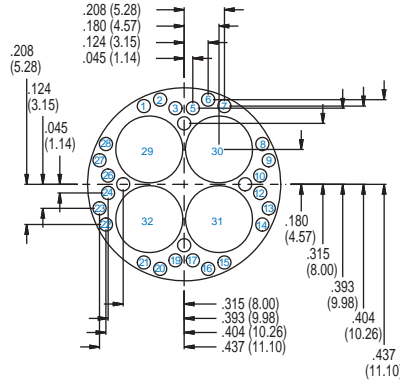
### Socket Connector

B



#### Insert Arrangement 21-200, 23-200

- 4 #8 Contacts
- .182 (4.62) Max. Dia. Tail
- 28 #23 Contacts
- .022 (0.71) Max. Dia. Tail



Series 801: 21-200  
Series 805: 23-200

Dimensions in Inches (millimeters) are subject to change without notice.

# Series 80 Mighty Mouse Technical Reference Recommended Torque Values



Series 800 Recommended Torque Values						
Series 800	Coupling Torque		Jam Nut Tightening		Backshell Tightening	
	In-lbs.		In-lbs.		In-lbs.	
	Min.	Max.	Min.	Max.	Min.	Max.
5	16	20	20	25	12	16
6	18	22	20	25	14	18
7	20	24	20	25	16	20
8	22	26	20	25	18	22
9	24	28	25	30	20	24
10	26	30	25	30	22	26
12	30	34	25	30	26	30

Series 801, 802, 803, 804, 805 Recommended Torque Values							
Shell Size Series 801, 802, 803, 804	Shell Size Series 805	Coupling Torque		Jam Nut Tightening		Backshell Tightening	
		In-lbs.		In-lbs.		In-lbs.	
		Min.	Max.	Min.	Max.	Min.	Max.
5	-	16	20	20	25	12	16
6	8	18	22	20	25	14	18
7	9	20	24	20	25	16	20
8	10	22	26	20	25	18	22
9	11	24	28	20	25	20	24
10	12 & 13	26	30	25	30	22	26
12 & 13	15	32	36	25	30	28	32
14 & 16	18	38	42	25	30	28	32
15 & 17	19 & 21	40	44	25	30	28	32
19 & 21	23	48	52	25	30	28	32

Series 804 Recommended Mate/Demate Values	
Shell Size/Insert Arrangement	In-lbs.
5-3	11
6-4	11
6-7	12
7-10	12
8-13	13
9-19	14
10-26	16
12-37	18

Dimensions in Inches (millimeters) are subject to change without notice.



# Series 80 Mighty Mouse Technical Reference Complete Product Specification

## Summary Performance Specifications

**Current Rating (Maximum):** Size #23 Contact: 5 A., Size #20 contact: 7.5 A., Size #16 contact: 13 A., Size #12 contact: 23 A.

### Test Voltage (Dielectric Withstanding Voltage) Mated Connectors:

Size #23 contacts: 750 VAC RMS sea level, 400 VAC RMS 40,000 feet  
 Size #20HD contacts: 1000 VAC RMS sea level, 400 VAC RMS 40,000 feet  
 Size #20 contacts: 1800 VAC RMS sea level, 400 VAC RMS 40,000 feet  
 Size #16 contacts: 1800 VAC RMS sea level, 1000 VAC RMS 40,000 feet  
 Size #12 contacts: 1800 VAC RMS sea level, 1000 VAC RMS 40,000 feet

**Insulation Resistance:** 5000 megohms minimum

### Contact Resistance:

Size #23 Contact: 73 millivolt drop at 5 A. test current  
 Size #20 contact: 55 millivolt drop at 7.5 A. test current  
 Size #16 contact: 49 millivolt drop at 13 A. test current  
 Size #12 contact: 42 millivolt drop at 23 A. test current

**Operating Temperature:** -65° C. to +175° C.

**Immersion, Mated:** 1 meter water immersion for 1 hour (Series 803 splashproof only)

**Shock:** 300 g      **Vibration:** 37 g      **Magnetic Permeability:** 2.0 μ maximum

Please refer to the comprehensive Series 80 Product Specification for additional parameters and test methods. Filter and hermetic versions have performance specifications which differ from this information.

## 1 SCOPE

**1.1 Scope.** This specification covers performance requirements for Glenair Series 80 Mighty Mouse miniature environment resistant circular connectors.

**1.2 Description.** Series 80 connectors with crimp, rear-release or non-removable printed circuit board contacts, environmental sealing, aluminum and corrosion resistant steel, threaded, bayonet and quick-disconnect coupling. Series 80 connectors with M39029 type contacts are intended for applications where standard MS circular connectors may be too large or too heavy. Interfacial seal and rear grommet provide environmental protection. Beryllium copper contact retention clips. Integral shield termination platform provides direct termination of cable shield to connector without the need for adapters.

Series 800	Threaded coupling, UNF fine threads, shell sizes 5 through 12
Series 801	Double-start stub ACME threaded coupling, shell sizes 5 through 21
Series 802	Threaded coupling, severe environment, dynamic o-ring seal, 316L stainless steel, shell sizes 5 through 21. Rated for continuous immersion at up to 3500 PSI.
Series 803	Bayonet coupling, light to medium duty, shell sizes 5 through 14.
Series 804	Quick-disconnect, shell sizes 5 through 15.
Series 805	Triple-start stub ACME threaded coupling, EMI spring, ratchet anti de-coupling mechanism, shell sizes 8 through 23.

## 2 APPLICABLE DOCUMENTS

### 2.1 Industrial Standards.

EIA-364 Electrical Connector/Socket Test Procedures Including Environmental Classifications

IEC-60512	Electromechanical Components for Electronic Equipment; Basic Testing Procedures and Measuring Methods Part 1: General
IEC-60529	Degrees of protection Provided By Enclosures (IP Code)
IEC 60068	Environmental Testing Part 1: General and Guidance

Dimensions in Inches (millimeters) are subject to change without notice.

# Series 80 Mighty Mouse Technical Reference Complete Product Specification



## 2.2 Military Standards and Specifications

MIL-STD-810	Test Method Standard for Environmental Engineering Considerations and Laboratory Tests
MIL-DTL-38999	Connectors, Electrical, Circular, Miniature, High Density, Quick Disconnect (Bayonet, Threaded, AND breech Coupling), Environment Resistant, Removable Crimp and Hermetic Solder Contacts, General Specification For

## 2.3 Aerospace Standards

SAE AS39029	Contacts, Electrical Connector, General Specification For
-------------	---

## 3 REQUIREMENTS

### 3.1 Materials

#### Materials and Finishes

Aluminum Shell, Barrel, Jam Nut and Coupling Nut	Aluminum Alloy 6061-T6 Code C: black anodize per MIL-A-8625 Code M: electroless nickel per ASTM B-733 Code MT: Nickel fluorocarbon polymer Code NF: Olive drab cadmium per SAE-AMS-QQ-P-416 over electroless nickel Code ZNU: Black zinc nickel over electroless nickel
Stainless Steel Shell, Barrel Coupling and Jam Nut	Stainless steel per AMS-QQ-S-763, passivated per SAE-AMS-QQ-P-35
Insulators	Glass-filled liquid crystal polymer (LCP) per ASTM D5138
Contact Retention Clip	Beryllium copper, heat-treated, unplated
Grommet, Peripheral Seal and Interfacial Seal	High performance silicone/fluorosilicone elastomer
Contacts	Copper alloy, 50 microinches gold plated per MIL-DTL-45204 over nickel underplating
Socket Contact Hood	Stainless steel, passivated per AMS-QQ-P-35
Adhesives	Silicone and epoxy
Potting Compound, PCB and Solder Cup Versions	Environmental Connectors: epoxy Waterblocked connectors (Glenair modification code 518): RTV silicone

### 3.2 Performance requirements.

DESCRIPTION	REQUIREMENT	PROCEDURE		
Contact resistance, copper alloy contacts	SAE AS39029 Table 5			
	Wire Size	Test Current	EIA-364-06 IEC 60512-2-1  Test current in Amperes. Voltage drop in millivolts. Silver-coated copper wire, +25°C.	
	8	46		26
	10	33		33
	12	23		42
	14	17		40
	16	13		49
	20	7.5		55
	22	5		73
	24	3		45
26	2	52		
28	1.5	54		

Dimensions in Inches (millimeters) are subject to change without notice.



# Series 80 Mighty Mouse Technical Reference Complete Product Specification

B

DESCRIPTION	REQUIREMENT	PROCEDURE														
Low level contact resistance	SAE AS39029 Table 4	EIA-364-23  25° C														
	<table border="1"> <thead> <tr> <th>Wire Size</th> <th>Max. Milliohms</th> </tr> </thead> <tbody> <tr> <td>16</td> <td>5</td> </tr> <tr> <td>20</td> <td>9</td> </tr> <tr> <td>22</td> <td>15</td> </tr> <tr> <td>24</td> <td>20</td> </tr> <tr> <td>26</td> <td>31</td> </tr> <tr> <td>28</td> <td>50</td> </tr> </tbody> </table>		Wire Size	Max. Milliohms	16	5	20	9	22	15	24	20	26	31	28	50
	Wire Size		Max. Milliohms													
	16		5													
	20		9													
	22		15													
	24		20													
26	31															
28	50															
Insulation resistance	5000 megohms minimum	EIA-364-21 IEC-60512-3-1 500 volts DC ± 50 volts. Test between adjacent contacts and contacts to shell.														
Dielectric withstanding voltage, sea level	No breakdown or flashover #23 contacts 750 volts #20HD contacts 1000 volts #16 contacts 1800 volts #12 contacts 1800 volts	EIA-364-20 IEC-60512-4-1 AC rms 60 Hz. 2 Sec min. dwell.  Unmated or mated														
Dielectric withstanding voltage, 40,000 feet altitude	No breakdown or flashover #23 contacts 400 volts #20HD contacts 400 volts #16 contacts 1000 volts #12 contacts 1000 volts	EIA-364-20 IEC-60512-4-1 AC rms 60 Hz. 2 Sec min. dwell.  mated condition														
Current carrying capacity	<table border="1"> <thead> <tr> <th>Contact Size</th> <th>Current (Amps)</th> </tr> </thead> <tbody> <tr> <td>12</td> <td>23</td> </tr> <tr> <td>16</td> <td>13</td> </tr> <tr> <td>20</td> <td>7.5</td> </tr> <tr> <td>23</td> <td>5</td> </tr> </tbody> </table>	Contact Size	Current (Amps)	12	23	16	13	20	7.5	23	5	EIA-364-70 Method 1 IEC-60512-5 Test 9b				
	Contact Size	Current (Amps)														
	12	23														
	16	13														
	20	7.5														
23	5															
Shell-to-shell conductivity, Initial	The maximum voltage drop across a mated pair shall not exceed the values shown.	EIA-364-83 IEC-60512-2-6  Electroless nickel plated connectors.														
<table border="1"> <thead> <tr> <th>Series</th> <th>Voltage Drop</th> </tr> </thead> <tbody> <tr> <td>800</td> <td>5</td> </tr> <tr> <td>801</td> <td>5</td> </tr> <tr> <td>802</td> <td>5</td> </tr> <tr> <td>804</td> <td>2</td> </tr> <tr> <td>805</td> <td>2</td> </tr> </tbody> </table>	Series		Voltage Drop	800	5	801	5	802	5	804	2	805	2			
Series	Voltage Drop															
800	5															
801	5															
802	5															
804	2															
805	2															

Dimensions in Inches (millimeters) are subject to change without notice.

# Series 80 Mighty Mouse Technical Reference Complete Product Specification



DESCRIPTION	REQUIREMENT	PROCEDURE																				
Shell-to-shell conductivity, after conditioning (48 hours salt spray)	<p>The maximum voltage drop across a mated pair shall not exceed the values shown.</p> <table border="1"> <thead> <tr> <th>Series</th> <th>Voltage Drop</th> </tr> </thead> <tbody> <tr> <td>800</td> <td>10</td> </tr> <tr> <td>801</td> <td>10</td> </tr> <tr> <td>802</td> <td>10</td> </tr> <tr> <td>804</td> <td>4</td> </tr> <tr> <td>805</td> <td>4</td> </tr> </tbody> </table>	Series	Voltage Drop	800	10	801	10	802	10	804	4	805	4	<p>EIA-364-83 IEC-60512-2-6</p> <p>Electroless nickel plated connectors.</p>								
Series	Voltage Drop																					
800	10																					
801	10																					
802	10																					
804	4																					
805	4																					
Shielding effectiveness, low frequency (100MHz-1000 MHz)	<p><b>Series 800, 801, 804, 805</b></p> <table border="1"> <thead> <tr> <th>Frequency</th> <th>Min. dB Attenuation</th> </tr> </thead> <tbody> <tr> <td>100 MHz</td> <td>75</td> </tr> <tr> <td>200 MHz</td> <td>70</td> </tr> <tr> <td>300 MHz</td> <td>65</td> </tr> <tr> <td>400 MHz</td> <td>63</td> </tr> <tr> <td>800 MHz</td> <td>58</td> </tr> <tr> <td>1000 MHz</td> <td>55</td> </tr> </tbody> </table>	Frequency	Min. dB Attenuation	100 MHz	75	200 MHz	70	300 MHz	65	400 MHz	63	800 MHz	58	1000 MHz	55	<p>MIL-DTL-38999 para. 4.5.28.1</p> <p>Electroless nickel plated connectors</p>						
Frequency	Min. dB Attenuation																					
100 MHz	75																					
200 MHz	70																					
300 MHz	65																					
400 MHz	63																					
800 MHz	58																					
1000 MHz	55																					
Shielding effectiveness, high frequency (1GHz-10GHz)	<p><b>Series 800, 801, 804</b></p> <table border="1"> <thead> <tr> <th>Frequency</th> <th>Min. dB Attenuation</th> </tr> </thead> <tbody> <tr> <td>1 GHz</td> <td>55</td> </tr> <tr> <td>3 GHz</td> <td>50</td> </tr> <tr> <td>6 GHz</td> <td>45</td> </tr> <tr> <td>10 GHz</td> <td>40</td> </tr> </tbody> </table> <p><b>Series 805</b></p> <table border="1"> <thead> <tr> <th>Frequency</th> <th>Min. dB Attenuation</th> </tr> </thead> <tbody> <tr> <td>1 GHz</td> <td>85</td> </tr> <tr> <td>3 GHz</td> <td>69</td> </tr> <tr> <td>6 GHz</td> <td>66</td> </tr> <tr> <td>10 GHz</td> <td>65</td> </tr> </tbody> </table>	Frequency	Min. dB Attenuation	1 GHz	55	3 GHz	50	6 GHz	45	10 GHz	40	Frequency	Min. dB Attenuation	1 GHz	85	3 GHz	69	6 GHz	66	10 GHz	65	<p>EIA-364-66 IEC-60512-23-3</p> <p>Electroless nickel plated connectors</p>
Frequency	Min. dB Attenuation																					
1 GHz	55																					
3 GHz	50																					
6 GHz	45																					
10 GHz	40																					
Frequency	Min. dB Attenuation																					
1 GHz	85																					
3 GHz	69																					
6 GHz	66																					
10 GHz	65																					
Vibration, sine Series 800, 801, 803, 804, 805	<p>No discontinuity of greater than 1 microseconds, no cracking, breaking or loosening of parts, plug shall not become disengaged from receptacle. Connectors shall meet electrical requirements after vibration test.</p>	<p>MIL-DTL-38999</p> <p>30 g's, 3 axes, 4 hours per axis</p>																				
Vibration, random Series 800, 801, 803, 804, 805	<p>No discontinuity of greater than 1 microseconds, no cracking, breaking or loosening of parts, plug shall not become disengaged from receptacle. Connectors shall meet electrical requirements after vibration test.</p>	<p>EIA-364-28 Test Condition V Letter I IEC-60512-6-4 100 milliamp test current 50- 2,000 Hz 37.80 g rms</p>																				

Dimensions in Inches (millimeters) are subject to change without notice.



## Series 80 Mighty Mouse Technical Reference Complete Product Specification

B

DESCRIPTION	REQUIREMENT	PROCEDURE																
Gunfire vibration Series 800, 801, 803, 804, 805	No discontinuity of greater than 1 microsecond, no cracking, breaking or loosening of parts, plug shall not become disengaged from receptacle. Connectors shall meet electrical requirements after vibration test.	MIL-STD-810 Method 519																
Mechanical shock Series 800, 801, 803, 804, 805	No discontinuity of greater than 1 microsecond, no cracking, breaking or loosening of parts, plug shall not become disengaged from receptacle. Connectors shall meet electrical requirements after shock test.	EIA-364-27 Condition D IEC-60512-6-3 3 shocks X 3 axes X 2 directions = 18 shocks 2941 m/s <sup>2</sup> (300 g's), 3 ms, half-sine																
Mechanical durability, at ambient temperature	No mechanical or electrical defects detrimental to the operation of the connector after the specified number of cycles of mating and unmating.  <b>Series 800, 801, 804</b> 2000 Cycles  <b>805</b> 500 cycles  <b>Series 803</b> Aluminum alloy 250 cycles Stainless steel 2000 cycles	EIA-364-09 IEC-60512-5 Test 9a																
Solderability, PC tail contacts	95% solder coverage. Smooth, bright and even finish.	EIA-364-52 Category 3 IEC-60512-12-1 IEC-68-2-20																
Contact retention	<table border="1" style="width: 100%; border-collapse: collapse; margin-bottom: 5px;"> <thead> <tr style="background-color: #D3D3D3;"> <th>Contact Size</th> <th>Min.Pounds</th> <th>Min.Newtons</th> </tr> </thead> <tbody> <tr> <td style="text-align: center;">23</td> <td style="text-align: center;">6</td> <td style="text-align: center;">27</td> </tr> <tr> <td style="text-align: center;">20</td> <td style="text-align: center;">15</td> <td style="text-align: center;">67</td> </tr> <tr> <td style="text-align: center;">16</td> <td style="text-align: center;">25</td> <td style="text-align: center;">111</td> </tr> <tr> <td style="text-align: center;">12</td> <td style="text-align: center;">25</td> <td style="text-align: center;">111</td> </tr> </tbody> </table>	Contact Size	Min.Pounds	Min.Newtons	23	6	27	20	15	67	16	25	111	12	25	111	EIA-364-29	
Contact Size	Min.Pounds	Min.Newtons																
23	6	27																
20	15	67																
16	25	111																
12	25	111																
Contact engaging and separation force	SAE AS39029 Table 9	EIA-364-37																
Demating force (Series 804)	Series 804 quick-disconnect connectors <table border="1" style="width: 100%; border-collapse: collapse; margin-top: 5px;"> <thead> <tr style="background-color: #D3D3D3;"> <th>Contact Arrangement</th> <th>Pounds</th> </tr> </thead> <tbody> <tr> <td style="text-align: center;">5-3</td> <td style="text-align: center;">11</td> </tr> <tr> <td style="text-align: center;">6-4</td> <td style="text-align: center;">11</td> </tr> <tr> <td style="text-align: center;">6-7</td> <td style="text-align: center;">12</td> </tr> <tr> <td style="text-align: center;">7-10</td> <td style="text-align: center;">12</td> </tr> <tr> <td style="text-align: center;">8-13</td> <td style="text-align: center;">13</td> </tr> <tr> <td style="text-align: center;">9-19</td> <td style="text-align: center;">14</td> </tr> <tr> <td style="text-align: center;">10-26</td> <td style="text-align: center;">16</td> </tr> </tbody> </table>	Contact Arrangement	Pounds	5-3	11	6-4	11	6-7	12	7-10	12	8-13	13	9-19	14	10-26	16	
Contact Arrangement	Pounds																	
5-3	11																	
6-4	11																	
6-7	12																	
7-10	12																	
8-13	13																	
9-19	14																	
10-26	16																	

Dimensions in Inches (millimeters) are subject to change without notice.



# Series 80 Mighty Mouse Technical Reference Complete Product Specification



DESCRIPTION	REQUIREMENT	PROCEDURE																																													
Insert retention	Unmated connectors shall retain their inserts in their proper location in the shell and there shall be no evidence of cracking, breaking, separation from the shell, or loosening of parts.	EIA-365-35																																													
	<b>Shell Size</b>																																														
	<table border="1"> <thead> <tr> <th>Series 800 803 804</th> <th>Series 801</th> <th>Series 805</th> <th>Minimum Force in Pounds</th> </tr> </thead> <tbody> <tr><td>5</td><td>5</td><td></td><td>25</td></tr> <tr><td>6</td><td>6</td><td>8</td><td>25</td></tr> <tr><td>7</td><td>7</td><td>9</td><td>25</td></tr> <tr><td>8</td><td>8</td><td>10</td><td>25</td></tr> <tr><td>9</td><td>9</td><td>11</td><td>25</td></tr> <tr><td>10</td><td>10</td><td>12</td><td>25</td></tr> <tr><td>12</td><td>13</td><td>15</td><td>25</td></tr> <tr><td>14</td><td>16</td><td>18</td><td>40</td></tr> <tr><td>15</td><td>17</td><td>19</td><td>50</td></tr> <tr><td>21</td><td>23</td><td>80</td><td></td></tr> </tbody> </table>		Series 800 803 804	Series 801	Series 805	Minimum Force in Pounds	5	5		25	6	6	8	25	7	7	9	25	8	8	10	25	9	9	11	25	10	10	12	25	12	13	15	25	14	16	18	40	15	17	19	50	21	23	80		
	Series 800 803 804		Series 801	Series 805	Minimum Force in Pounds																																										
	5		5		25																																										
	6		6	8	25																																										
	7		7	9	25																																										
	8		8	10	25																																										
	9		9	11	25																																										
	10		10	12	25																																										
12	13	15	25																																												
14	16	18	40																																												
15	17	19	50																																												
21	23	80																																													
Residual magnetism	2 $\mu$ maximum.	EIA-364-54																																													

## ENVIRONMENTAL

Operating temperature	-65° to +175°C	
Water immersion, mated	No evidence of water penetration into mated connectors.	MIL-STD-810F Method 512.4  1 meter immersion  1 hour
Ingress protection, open face panel mount receptacles with non-removable printed circuit board or solder cup contacts, with Glenair Modification Code 518 sealing process	IP67	IEC 60529
Humidity	No deterioration which will adversely affect the connector.	MIL-DTL-38999 4.5.26

Dimensions in Inches (millimeters) are subject to change without notice.



## Series 80 Mighty Mouse Technical Reference Complete Product Specification

B

DESCRIPTION	REQUIREMENT	PROCEDURE
Temperature cycling	No mechanical damage or loosening of parts. Following thermal shock, connector shall meet contact resistance, DWV, insulation resistance and shell-to-shell resistance requirements.	EIA-364-32 Test Condition IV IEC-60512-11-4 5 cycles consisting of -65° C 30 minutes, +25° C 5 minutes max., +150° C 30 minutes, +25° C 5 minutes max.
Salt Spray	No exposure of base metal.	EIA-364-26 IEC 60512-11-6 <b>Unmated Connectors</b> Code M: 48 hours Code MT: 500 hours Code NF: 500 hours Code ZN: 500 hours Code ZNU: 500 hours
Sand and dust	Mated connectors shall withstand the effects of blowing sand and dust	MIL-STD-810, Method 510
Fungus	Connector materials shall be fungus inert.	MIL-STD-810, Method 508
Fluid immersion	No visible damage from immersion in various fuels and oils. Connector shall meet coupling torque and dielectric withstanding voltage requirements.	EIA-364-10 Unmated connectors
Altitude immersion	No evidence of moisture on connector interface or contacts. Connector shall meet dielectric withstanding voltage.	EIA-364-03 40,000 feet simulated altitude
Outgassing	ASTM E595  1.0% maximum Total Mass Loss 0.1% maximum Total Collected Volatile Material  (Special oven bake or thermal vacuum outgassing is required)	ASTM-E595

Dimensions in Inches (millimeters) are subject to change without notice.



## Series 80 Connectors for Space Flight

The small size and reduced weight of the Series 80 connector make it an excellent choice for space instrumentation. Series 80 connectors are available with special screening and outgassing for satellites and space vehicles. This section explains NASA guideline for connector selection, screening and outgassing. This section also explains how to order connectors screened to meet NASA EEE-INST-002.

B

### Five things you should know about Series 80 connectors for space flight

**1 Material Selection:** What materials are approved for space-grade connectors? What materials are prohibited? Does the Series 80 connector contain space-approved materials?

**2 Outgassing:** What is outgassing, why is it important, and how does it affect connector selection? Is special processing required to meet outgassing requirements?

**3 Screening:** What is NASA screening and what level of screening is required?

**4 Magnetic permeability:** Are nonmagnetic connectors required?

**5 Cryogenic exposure:** Are these connectors suitable for -200° C. exposure?

#### How To Order Space Grade Series 80 Connectors

##### Step 1: Find a Standard Part Number

Electroless nickel plated shells are preferred for space flight. Cadmium plating is prohibited.

##### Step 2: Select a NASA Screening Level

The term "Screening Level" refers to the final inspection procedure.

Level 1 for mission-critical highest reliability

Level 2 for high reliability

Level 3 for standard reliability

##### Step 3: Choose Outgassing Processing

A detailed explanation of outgassing is on the following pages. The fluorosilicone rubber seals commonly used on aerospace-grade connectors such as MIL-DTL-38999 and Series 80 connectors, along with certain bonding agents and inks, do not meet NASA outgassing requirements unless the connector is specially processed. Glenair outgassing tests have shown oven baking or thermal vacuum outgassing processing are sufficient to reduce outgassing levels to NASA standards. Oven baking is more economical than thermal vacuum outgassing.

##### Step 4: Select the Mod 429 Code that Matches the Desired Level of Screening and Outgassing

Use the following table to choose the right modification code. Add the mod code to the connector part number. Example: 801-007-16M6-7PA-**429C**

Nasa Screening Levels and Modification Codes			
NASA Screening Level	Special Screening Only	Special Screening Plus Outgassing Processing	
		48 Hour Oven Bake 175° C.	Thermal Vacuum Outgassing 24 hrs. 125° C.
Level 1 Highest Reliability	Mod 429B	Mod 429J	Mod 429C
Level 2 High Reliability	Mod 429	Mod 429K	Mod 429A
Level 3 Standard Reliability	(Use standard part number)	Mod 186	Mod 186M

Dimensions in Inches (millimeters) are subject to change without notice.



## Series 80 Mighty Mouse Technical Reference Guidelines for Space-Grade Applications

### Series 80 Connectors for Space Flight

**1 Material Selection:** *What materials are approved for space flight? What materials are restricted? How to choose the right materials for Series 80 connectors.*

#### What materials are approved for space flight?

Section C2 "Connectors and Contacts" of NASA EEE-INST-002 provides guidelines for materials used in connectors for space flight applications. Aluminum is a preferred material for connector components, and electroless nickel is the preferred finish. Beryllium copper is a preferred material for contacts. 50 microinch minimum gold plating is the preferred contact finish. LCP is a preferred material for dielectric insulating materials.

#### What materials are prohibited?

100% tin plating shall not be used. Pure tin can grow "whiskers" which can lead to catastrophic electrical short circuits. Silver plating is prohibited because of corrosion concerns. Cadmium is prohibited because it is unstable in vacuum environments.

#### Specifying Series 80 connectors for space flight

Standard Series 80 connectors meet NASA guidelines for material selection. Specify "M" for aluminum shells with electroless nickel finish. The table below lists the Series 80 materials.

Series 80 Connector Materials Approved For Space Flight		
Component	Material	Notes
Shells, Coupling Nuts, Jam Nuts	Aluminum alloy 6061 T6, electroless nickel plated	Approved for Space Flight
Rigid Insulators	Glass-filled liquid crystal polymer (LCP) in accordance with MIL-M-24519, Type GLCP-30F	Approved for Space Flight
Contact Retention Clip	Beryllium copper, heat-treated, unplated	Approved for Space Flight
Grommet, Peripheral Seal, Interfacial Seal, O-ring	Blended fluorosilicone/silicone elastomer, 30% silicone per ZZ-R-765, 70% fluorosilicone per MIL-R-25988	Requires outgassing processing
Hermetic Insert	Vitreous glass	Approved for Space Flight
Pin Contact	Beryllium copper alloy per ASTM B197, 50 microinches gold plated per ASTM B488 Type II Code C Class 1.25 over nickel plate per QQ-N-290 Class 2, 50-100 microinches	Approved for Space Flight
Pin Contact, Hermetic	Nickel-iron alloy per ASTM F30 (Alloy 52), 50 microinches gold plated per ASTM B488 Type II Code C Class 1.25 over nickel plate per QQ-N-290 Class 2, 50-100 microinches	Ferromagnetic material.
Socket Contact	Beryllium copper alloy per ASTM B197, 50 microinches gold plated per ASTM B488 Type II Code C Class 1.25 over nickel plate per QQ-N-290 Class 2, 50-100 microinches.	Approved for Space Flight
Socket Contact Hood	Stainless steel, passivated per AMS-QQ-P-35	Approved for Space Flight
Adhesives	RTV and epoxies (see following table for outgassing info)	Requires outgassing processing
Potting Compound, PCB and Solder Cup Versions	Environmental and Hermetic Connectors: Stycast 2651/Catalyst 9 epoxy encapsulant. Filter Connectors: Stycast 2850FT/Catalyst 11 thermally conductive epoxy encapsulant.	Approved for Space Flight
Filter Element	Multilayer Ceramic Planar Array, ferrite inductors	Approved for Space Flight

Dimensions in Inches (millimeters) are subject to change without notice.

**2 Outgassing: What is outgassing and how does it affect connector selection? Is special processing required to meet outgassing requirements?**

**What is outgassing?**

Plastic and rubber materials give off gaseous molecules. For example, the smell inside a new car is caused by polymer outgassing. Heat and vacuum increase the rate of diffusion. In a spacecraft the gases coming off polymers can contaminate optical surfaces and instruments. The result is degraded performance.

**How is outgassing measured?**

The space industry has adopted a standardized test procedure, [ASTM E 595](#), to evaluate out-gassing properties of polymers. Small samples of material are heated to 125° C. at a vacuum of 5 X 10<sup>-5</sup> torr for 24 hours.

Then the sample is weighed to calculate the **Total Mass Loss** (TML). The TML cannot exceed 1.00% of the total initial mass. During the test, outgassed matter condenses on a cooled collector plate. The quantity of outgassed matter is calculated to determine the **Collected Volatile Condensable Material** (CVCM). The CVCM cannot exceed 0.10% of the original specimen mass.

**Is special outgassing processing necessary on Series 80 connectors?**

NASA states “A bakeout for outgassing control is driven by the application and may be required where tight contamination control must be maintained.” NASA generally recommends that military circular connectors undergo outgassing processing. This processing can be performed by Glenair; however, some customers prefer to fabricate higher level subassemblies before outgassing processing.

**Outgassing At-a-Glance**

- 1** Fluorosilicone rubber components and encapsulants exceed NASA outgassing limits.
- 2** NASA recommends outgassing processing to reduce outgassing to acceptable levels.
- 3** An inexpensive oven bakeout has better results than the more costly thermal vacuum outgassing. The higher temperature of the oven bakeout is more effective at removing volatile materials. However, both methods assure compliance with outgassing limits.
- 4** Glenair Mod 429 codes provide an easy ordering solution, whatever the outgassing option.

Outgassing Properties of Materials used in Series 80 connectors				
Component	Material	TML %	TCVML %	Test Reference
Front and Rear Insulator	Liquid Crystal Polymer Vectra C130	0.03	0.0	NASA Test # GSC17478
Rear Grommet Interfacial Seal Peripheral Seal	Blended flourosilicone/silicone elastomer, 30% silicone per ZZ-R-765, 70% flourosilicone per MIL-R-25988	0.48	0.14	Glenair testing conducted at NuSil Technology 02/27/2001
Front-To-Rear Insulator Bonding Material	Eccobond 104 A/B	0.52	0.08	Emerson & Cuming Data Sheet
Insulator-to-Rubber Bonding Material	DC3145 RTV, per MIL-A-46146	2.52	0.58	NASA Test GSC28621
Coupling Nut Retainer	Torlon® 4203L	1.88	0.01	Glenair Test at NuSil Technology 03-12-2003
Coupling Nut Epoxy	Hysol C9-4215	0.48	0.01	Glenair Test
O-Ring	Flourosilicone Rubber	0.32	0.03	NASA Test GSFC8687
White Epoxy Ink for Silkscreening	Markem 7224 White	0.49	0.03	NASA Test #GSC19899
Black Ink for Part Number Identification	Videojet #16-5600Q	TBD	TBD	
Potting Compound, Solder Cup and PC Tail Connectors	Hysol C9-4215	0.48	0.01	Glenair Test
Potting Compound, Solder Cup and PC Tail Connectors	DC3145 RTV, per MIL-A-46146	2.52	0.58	NASA Test GSC28621
Potting Compound, Filter Receptacles	Stycast epoxy, 2850FT/Catalyst 11	0.29	0.02	Mfgr Data Sheet

Dimensions in Inches (millimeters) are subject to change without notice.



## Series 80 Mighty Mouse Technical Reference Guidelines for Space-Grade Applications

### 3 Screening: What is NASA screening and what level of screening is required?

#### What is NASA screening?

NASA specification EEE-INST-002 provides instructions on selecting, screening and qualifying parts for use on NASA GSFC space flight projects. Table 2A in the NASA specification contains inspection instructions for circular connectors including MIL-DTL-38999. Series 80 connectors are not mentioned in the NASA spec but are similar to D38999 connectors, so Table 2A applies by similarity to Series 80 connectors.

#### What screening level is required?

NASA defines three levels of screening: level 1 for highest reliability, level 2 for high reliability, and level 3 for standard reliability. Level 3 equates to standard lot acceptance inspection. Levels 1 and 2 call for additional testing.

#### What about qualification requirements?

Projects using connectors covered by military specifications are typically able to waive qualification testing. The Series 80 connector has been rigorously tested by Glenair but is not covered by a military specification. Projects considering using the Series 80 for space flight should obtain guidance from the overseeing space agency regarding the suitability of existing Glenair Series 80 test data, available on request.

NASA EEE-INST-002 Screening Requirements		
Inspection/ Test	NASA Level 1	NASA Level 2
Visual Inspection	100%	100%
Mechanical	2 pcs.	2 pcs.
Voltage (DWV)	2 pcs.	2 pcs.
Insulation Resistance	2 pcs.	2 pcs.
Contact Engagement and Separation Force (socket contacts)	2 pcs.	N/A
Coupling Force	2 pcs.	N/A
Air leakage (Hermetic connectors only)	100%	100%
Solderability/Resistance to Soldering Heat	2 pcs.	N/A
1. NASA screening requirements from Table 2A of EEE-INST-002 "Screening Requirements for Circular Connectors..."		

### 4 Magnetic permeability: Are nonmagnetic connectors required?

Spacecraft designers generally avoid the use of ferromagnetic materials, which can become magnetized and can interfere with sensitive instruments. Series 80 aluminum shell connectors have a maximum permeability of 2 mu. Hermetic Series 80 connector pins are iron alloy, a highly magnetic material.

### 5 Cryogenic exposure: Space programs sometimes need cryogenic connectors capable of withstanding temperatures as low as -270° C. Can Series 80 connectors operate satisfactorily at this temperature?

Series 80 connectors are rated to -65° C. Glenair does not have data to validate these connectors for cryogenic applications. EEE-INST-002 states "...experience has proven it is possible for (non-certified) connector types to be used successfully at cryogenic temperatures. It is recommended that connector samples should be subjected to five cycles of cryogenic temperature... (followed by examination for cracks and DWV)".

Dimensions in Inches (millimeters) are subject to change without notice.

# Series 80 Mighty Mouse Technical Reference Modification Codes and Material/Finish Codes



Series 80 Modification Codes			
Modification Code	Description	Application Notes	Part Number Example
MOD-186	Oven bake connector for 48 hours at 400° F.	Intended for space flight applications. See <b>Guidelines for Space-Grade Applications.</b>	800-006-06M5-3SN- <b>186</b>
MOD-429	Special NASA high-reliability screening and processing	Use this mod code on all Series 80 connectors. See <b>Guidelines for Space-Grade Applications.</b>	801-010-02M13-37PB- <b>429J</b>
MOD-489	Solder dip PC tails in 63/37 tin-lead	For use with all connectors with PC tail contacts.	801-011-02M7-10PA- <b>489</b>
MOD-501	Replace spanner-style jam nut w/hex-style jam nut w/ safety wire holes	Use this mod code on all Series 80 rear panel mount jam nut connectors (style 07).	800-010-07M6-4SN- <b>501</b>
MOD-518	Waterblock sealing of printed circuit board and solder cup receptacles. Sealing meets 10 <sup>-4</sup> cc/second maximum helium leak rate at 15 PSI pressure differential following three cycles of thermal shock.	For use on all panel mount receptacles with printed circuit board or solder cup contacts.	801-011-07M9-19SA- <b>518</b>
MOD-864	Provides five additional panel thickness options: -864A = .125 thick panel      -864B = .150 thick panel -864C = .175 thick panel      -864D = .200 thick panel -864E = .225 thick panel	Use this mod code on all Series 80 rear panel mount jam nut connectors (style 07).	801-011-07M9-19SA- <b>864</b>

Standard Material and Finish Codes							
Code	Material	Finish	Finish Specification	Hrs. Salt Spray	Electrical Conductivity	Operating Temp. Range	RoHS Compliance
AB	Marine Bronze	Unplated		1000	Conductive	-65 to +200°C	✓
AL	Aluminum	AlumiPlate	MIL-DTL-83488	1000	Conductive	-65 to +175°C	✓
C	Aluminum	Anodize, Black	AMS-A-8625	48	Non-Conductive	-65 to +175°C	✓
E	Aluminum	Chem Film	MIL-DTL-5541	168	Conductive	-65 to +175°C	
G2	Aluminum	Anodize, Hardcoat	AMS-A-8625	336	Non-Conductive	-65 to +200°C	✓
JF	Aluminum	Cadmium, Gold	SAE-AMS-QQ-P-416	1000	Conductive	-65 to +175°C	
LF	Aluminum	Cadmium, Clear	SAE-AMS-QQ-P-416	1000	Conductive	-65 to +175°C	
M	Aluminum	Electroless Nickel	AMS-C-26074	48	Conductive	-65 to +200°C	✓
ME	Aluminum	Electroless Nickel	AMS-C-26074	96	Conductive	-65 to +200°C	✓
MT	Aluminum	Nickel-PTFE	GMF-002	500	Conductive	-65 to +175°C	✓
NC	Aluminum	Zinc-Cobalt, Olive Drab	ASTM B 840	350	Conductive	-65 to +175°C	
NF	Aluminum	Cadmium, Olive Drab	SAE-AMS-QQ-P-416	500	Conductive	-65 to +175°C	
P	Stainless Steel	Electrodeposited Nickel	SAE-AMS-QQ-N-290	500	Conductive	-65 to +200°C	✓
UC	Aluminum	Zinc-Cobalt, Black	ASTM B 840	350	Conductive	-65 to +175°C	
UCR	Aluminum	Zinc-Cobalt, Black (RoHS)	ASTM B 840	350	Conductive	-65 to +175°C	✓
Z1	Stainless Steel	Passivate	SAE-AMS-QQ-P-35	1000	Conductive	-65 to +200°C	✓
Z2	Aluminum	Gold	MIL-DTL-45204	48	Conductive	-65 to +200°C	✓
ZC	Stainless Steel	Zinc-Cobalt, Black	ASTM-B840		Conductive	-65 to +175°C	
ZCR	Stainless Steel	Zinc-Cobalt, Black (RoHS)	ASTM-B840		Conductive	-65 to +175°C	✓
ZL	Stainless Steel	Electrodeposited Nickel	SAE-AMS-QQ-N-290	1000	Conductive	-65 to +200°C	✓
ZM	Stainless Steel	Electroless Nickel	AMS-C-26074		Conductive	-65 to +200°C	✓
ZMT	Stainless Steel	Nickel-PTFE	GMF-002	1000	Conductive	-65 to +175°C	✓
ZN	Aluminum	Zinc-Nickel, Olive Drab	ASTM B841	500	Conductive	-65 to +175°C	
ZNU	Aluminum	Zinc-Nickel, Black	ASTM B841	500	Conductive	-65 to +175°C	
ZR	Aluminum	Zinc-Nickel, Black	ASTM B841	1000	Conductive	-65 to +175°C	✓
ZU	Stainless Steel	Cadmium, Black	SAE-AMS-QQ-P-416	1000	Conductive	-65 to +175°C	
ZW	Stainless Steel	Cadmium, Olive Drab	SAE-AMS-QQ-P-416	2000	Conductive	-65 to +175°C	

Dimensions in Inches (millimeters) are subject to change without notice.

SERIES 80

# MIGHTY MOUSE

**MIGHTY  
MOUSE**

series 800 light weight connectors with UN thread and crimp rear release contacts.



**G**lenair series 800 Mighty Mouse Connectors are ideally suited for use in applications where weight is a significant factor. Designed for use with test equipment and instrumentation, the Series 800 UNF thread connector is available with solder cup, PCB or insulated wire. Every connector incorporates crimp rear release contacts and are available with integral band platform or with accessory threads for attachment of backshells or strain reliefs.



**G**lenair®

Glenair, Inc.  
1211 Air Way  
Glendale, CA  
91201-2497  
818-247-6000  
sales@glenair.com  
www.glenair.com



Series 800 Mighty Mouse  
UNF Mating Thread  
Table of Contents and Introduction



Series 800

**PRODUCT SELECTION GUIDE**



**Series 800 Plugs**

Available with hex shaped or round, knurled coupling nuts. The integral shield termination platform accepts heat-shrink boots (ordered separately), or select accessory threads for use with a variety of strain relief and backshell accessory options.

Page C-6



**Series 800 Crimp Receptacles for Insulated Wire**

Jam nut, square flange and in-line versions make it easy to find a style for every application. The integral shield termination platform accepts heat-shrink boots (ordered separately), or select accessory threads for use with a variety of strain relief and backshell accessory options. Contacts are crimp-type and are packaged with the connector.

Page C-8



**Series 800 Receptacles With Solder Cup or PCB Termination**

These panel mount connectors feature gold plated, factory-installed non-removeable contacts. Choose printed circuit terminals for attachment to flex circuits or rigid boards, or choose solder cup contacts. Connectors are potted with epoxy for general purpose applications, or choose silicone-sealed, leak-tested versions for 1 meter water immersion.

Page C-12



**Right Angle PCB Receptacles**

Supplied with factory-installed, non-removable PC tail contacts for attachment to rigid boards or flex circuits. Epoxy-sealed. Includes threaded inserts for attachment to PC board.

Page C-15



**Series 800 Hermetic Receptacles**

Need a miniaturized hermetic for a sealed box or instrument? These stainless steel, glass-sealed connectors are available with solder cup or PC tail contacts. Choose jam nut, square flange or solder mount versions. Contacts are gold plated iron alloy. 100% tested to meet  $1 \times 10^{-7}$  cc/sec helium leakage. Open face pressure rating 1000 PSI.

Page C-20



**Series 800 Bulkhead Feed-Thru Receptacle Connector**

Jam Nut mount, shell sizes 5 to 12. This connector mates with all high density plug connectors with the same polarization and opposite contact genders. Copper alloy gold-plated contacts, pins to pin, pin to plug or plug to plug.

Page C-24



**Series 800 Cordsets**

Specify overmolded cordsets for optimum convenience and performance. Select standard polyurethane-jacketed cable for general purpose applications, or choose low-smoke, zero halogen polyurethane for applications where toxic combustion products are restricted.

Page C-26

Dimensions in Inches (millimeters) are subject to change without notice.

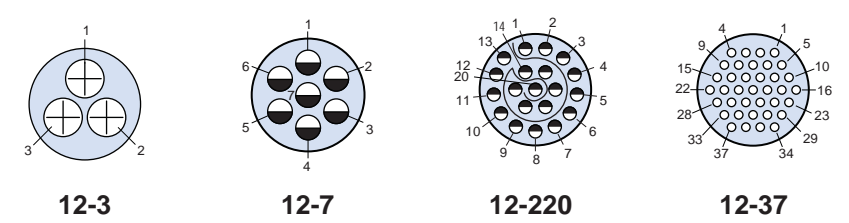
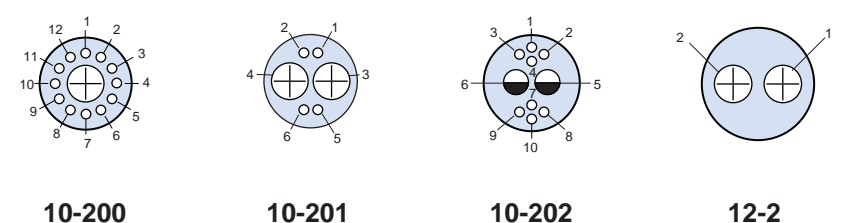
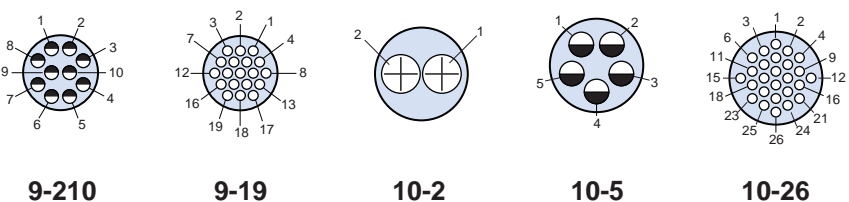
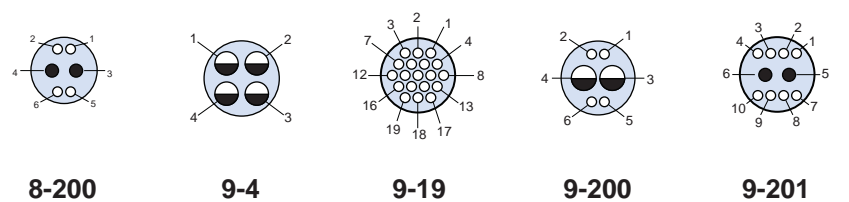
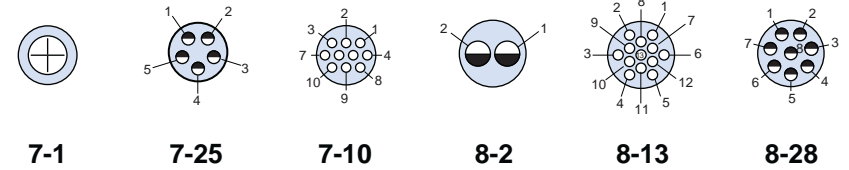
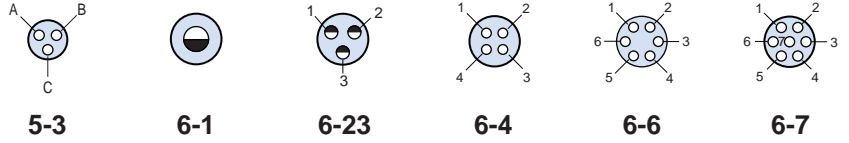


# Series 800 Mighty Mouse with UN Mating Thread Contact Arrangements

C

Contact Arrangements					
Contact Arr.	No. of Contacts				
	#23	#20	#20HD	#16	#12*
5-3	3				
6-1				1	
6-23			3		
6-4	4				
6-6	6				
6-7	7				
7-1					1
7-25			5		
7-10	10				
8-2				2	
8-13	13				
8-28			8		
8-200	4	2			
9-4				4	
9-210			10		
9-19	19				
9-200	4			2	
9-201	8	2			
10-2					2
10-5				5	
10-26	26				
10-200	12				1
10-201	4				2
10-202	8			2	
12-2					2
12-3					3
12-7				7	
12-220			20		
12-37	37				
12-200	6				2
12-201	10				2
12-202	20				
12-203	12				
12-204	12				2
12-205	4				4

## Mating Face View of Pin Connector (socket connector numbers are reversed)



\*All arrangements with #12 contacts available with keyed Twinax contacts. Use mode code -688

### Contact Legend

#23◉ #20HD◉ #20● #16◐ #12⊕

Dimensions in Inches (millimeters) are subject to change without notice.

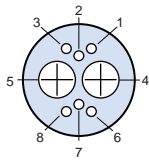
# Series 800 Mighty Mouse with UN Mating Thread

## Keyway positions, Jam Nut Panel Cutout Dimensions and Recommended Torque Values

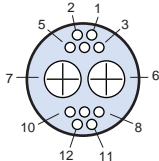


Series 800

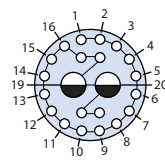
### Mating Face View of Pin Connector (socket connector numbers are reversed)



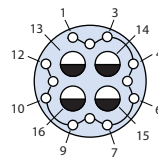
12-200



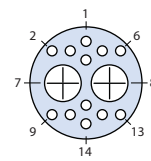
12-201



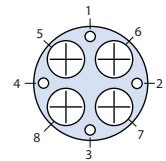
12-202



12-203

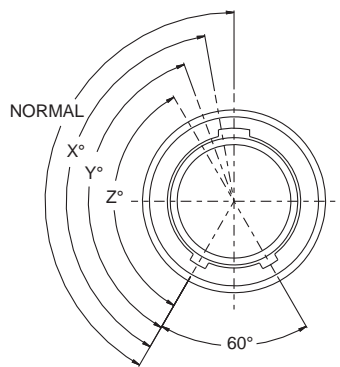


12-204

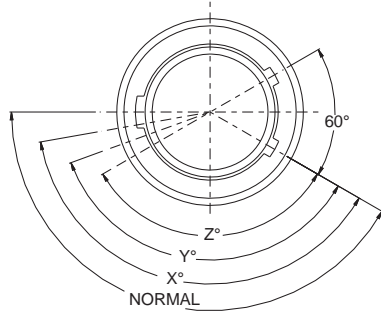


12-205

#### Series 800 Key Positions



5 and 6 Key Position



7 thru 12 Key Position

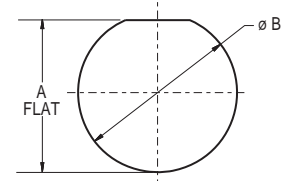
Key Position	Key Rotation
Normal (N)	150°
X	140°
Y	130°
Z	120°

Shell size 5 and 6: master key is located at top dead center for normal (N) position.

Shell size 7 thru 12: master key is rotated 90° from TDC for normal position.

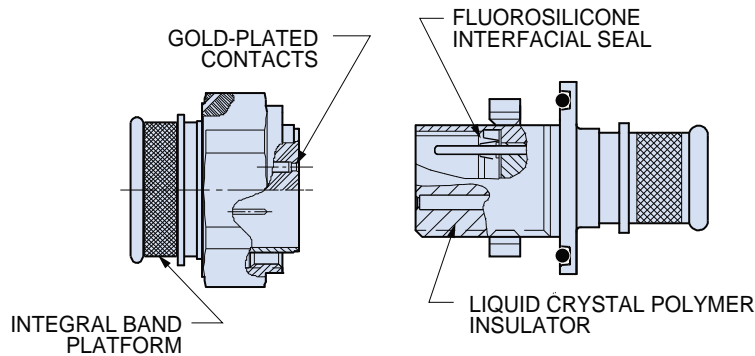
#### Series 800 Jam Nut Panel Cutouts

Shell Size	A Flat		øB	
	In.	mm.	In.	mm.
5	.318	8.08	.302 .298	7.67 7.57
6	.386	9.80	.365 .361	9.27 9.17
7	.449	11.40	.429 .424	10.90 10.77
8	.510	12.95	.486 .482	12.34 12.24
9	.574	14.58	.543 .539	13.79 13.69
10	.635	16.13	.617 .613	15.67 15.57
12	.760	19.30	.725 .721	18.42 18.31



C

Dimensions in Inches (millimeters) are subject to change without notice.



- Threaded Coupling Mechanism
- Crimp Rear Release Contacts
- Integral Band Platform
- Available with Size #12, #16, 20, #20HD and #23 Contacts
- Environmentally Sealed

C

## Glenair's Original Mighty Mouse Offers Environmental Sealing and Rugged Design in a Lightweight, Ultraminiature Package

Series 800 connectors are intended for light and medium duty applications where size, weight and cost outweigh the need for heavier-duty Series 80 connectors. Terminate shielded cable directly to the integral band platform for excellent EMI protection. Originally used for aerospace sensors, these Series 800 connectors have proven to be a good solution for small form factor tactical equipment including keyboards, radios, ruggedized RPDA's and other dismounted soldier equipment. These connectors meet the requirements of MIL-STD-810 for immersion, vibration, sand and dust, shock, and corrosion resistance.



Specifications	
Current Rating	#23-5 A, #20-7.5 A, #16-13 A, #12-23 A
Dielectric Withstanding Voltage	#23-750 VAC, #20HD-1000 VAC, #12 and #16-1800 VAC
Insulation Resistance	5000 megohms minimum
Operating Temperature	-65° C. to +175° C.
Shock	300 g.
Vibration	37 g.
Shielding Effectiveness	55 dB minimum from 100MHz to 1000MHz.
Durability	2000 mating cycles

Materials and Finishes	
Shells, Jam Nuts	Aluminum alloy or stainless steel
Contacts	Copper alloy, 50 µInch gold plated
Insulators	Liquid crystal polymer (LCP)
Contact Retention Clip	Beryllium copper alloy
Interfacial Seal, O-rings, Wire Sealing Grommet	Fluorosilicone rubber

Dimensions in Inches (millimeters) are subject to change without notice.

# Series 800 Mighty Mouse with UN Mating Thread Connector Weights



Series 800

Connector Weights			
Maximum Weight In Grams			
Layout	Cable Plug	Jam Nut Receptacle	
		Crimp Contacts	PCB Contacts
5-3P	3.6	2.5	2.5
5-3S	3.7	2.6	2.6
6-1P	4.3	3.2	3.2
6-1S	4.4	3.3	3.3
6-4P	4.8	3.7	3.9
6-4S	5.2	4.0	3.7
6-6P	4.9	3.8	4.2
6-6S	5.3	4.1	4
6-7P	4.8	3.6	3.7
6-7S	4.7	4.0	3.9
6-23P	4.3	3.1	3.2
6-23S	4.6	3.4	3.3
7-1P	5.7	4.7	4.4
7-1S	5.9	5.0	4.5
7-10P	6.9	5.7	5.1
7-10S	7.4	6.2	5.4
7-25P	5.6	4.6	4.3
7-25S	5.9	5	4.3
8-2P	7.4	6.2	6.2
8-2S	8.1	6.9	6.9
8-28P	7.6	6.4	6.8
8-28S	8.6	7.4	7.5
8-13P	6.7	5.5	5.5
8-13S	7.2	5.9	5.9
8-200P	7.7	6.5	6.5
8-200S	8.4	7.2	7.2
9-4P	8.7	7.4	6.7
9-4S	8.8	7.6	6.8
9-210P	8.5	7.2	6.2
9-210S	8.8	7.6	6.5
9-19P	10.5	9.2	7.7
9-19S	11.2	9.6	7.9
9-200P	8.3	6.8	6.2
9-200S	9.4	7.9	7.3
9-201P	8.4	6.9	6.3

Connector Weights			
Maximum Weight In Grams			
Layout	Cable Plug	Jam Nut Receptacle	
		Crimp Contacts	PCB Contacts
9-201S	9.5	8.0	7.4
10-2P	9.5	9.7	11.3
10-2S	10.8	11	12.8
10-5P	9.7	9.9	12.2
10-5S	11.1	11.3	13.6
10-26P	7.9	8.1	10.5
10-26S	8.6	8.4	9.9
10-200P	8.8	9.0	11.3
10-200S	10.3	10.6	12.8
10-201P	9.1	9.4	11.7
10-201S	10.7	10.9	13.2
10-202P	8.8	9.0	11.2
10-202S	10.2	10.5	12.8
12-2P	10.5	10.1	11.6
12-2S	10.6	10.2	11.7
12-3P	10.7	10.3	11.8
12-3S	10.8	10.5	11.9
12-7P	14.3	13.8	15.3
12-7S	16.9	16.5	17.9
12-37P	12.5	12.1	13.5
12-37S	16.1	13.6	14.9
12-200P	13.2	12.8	14.2
12-200S	15.5	15.1	16.5
12-201P	13.3	12.9	14.3
12-201S	15.7	15.3	16.7
12-220P	11.3	10.6	13.9
12-220S	12.2	11.7	14.2
12-202P	10.6	10.2	13
12-202S	11.1	10.6	12.9
12-203P	10.2	10.5	13.5
12-203S	11.4	10.9	13.4
12-204P	11	10.6	13.3
12-204S	11.5	11	13.4
12-205P	12.1	11.7	17.6
12-205S	12.5	12	18

C

Dimensions in Inches (millimeters) are subject to change without notice.



## Series 800 Mighty Mouse UN Mating Thread Plug 800-006 Thru 800-009 Ordering Information

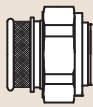





**Glenair's Smallest Mighty Mouse Connector** has compact size and rugged design for hostile environments. UN mating thread. Connector shells are machined aluminum or stainless steel. Supplied with crimp contacts, packaged separately. Terminate contacts with standard M22520 tools. Metal clips inside the connector body lock contact into place. Contacts are removable. Fluorosilicone seals and rear grommet protect connector from water ingress. Choose hex or knurled coupling nut. Terminate cable shield directly to connector body with Band-Master™ ATS strap, or choose rear accessory thread to attach optional cable clamp or backshell. Available in shell sizes 5 through 12 in 36 contact arrangements.

### How To Order

Sample Part Number	800-006	-06	M	6-7	P	N
Series (See Table I)	<b>800-006</b> = Hex Plug with Banding Platform <b>800-007</b> = Hex Plug with Accessory Thread <b>800-008</b> = Plug with Band Platform <b>800-009</b> = Plug with Accessory Thread					
Shell Style	<b>-06</b> = Standard Coupling Nut <b>-16</b> = Coupling Nut with Anti-Decoupling Wave Spring					
Shell Material and Finish	<b>C</b> = Aluminum / Black Anodize (Non-Conductive) RoHS Compliant <b>M</b> = Aluminum / Electroless Nickel RoHS Compliant <b>NF</b> = Aluminum / Cadmium with Olive Drab Chromate <b>ZNU</b> = Aluminum / Zinc-Nickel with Black Chromate <b>MT</b> = Aluminum / Nickel-PTFE RoHS Compliant <b>Z1</b> = Stainless Steel / Passivated RoHS Compliant					
Shell Size - Insert Arrangement	See Contact Arrangements page C-2					
Contact Type	<b>Connector supplied with crimp contacts</b> <b>P</b> = Pin <b>S</b> = Socket	<b>Connector supplied without contacts</b> <b>A</b> = Pin Connector <b>B</b> = Socket Connector	<b>Connector supplied with 30 AWG crimp contacts</b> <b>G</b> = Pin <b>H</b> = Socket			
Shell Key Positions (See Table II)	<b>N</b> = Normal <b>X</b> = Pos. X <b>Y</b> = Pos. Y <b>Z</b> = Pos. Z					

### Table I: Series

800-006	800-007	800-008	800-009
			
Hex Plug with Banding Platform	Hex Plug with Accessory Thread	Knurled Round Plug with Band Platform	Knurled Round Plug with Accessory Thread

Dimensions in Inches (millimeters) are subject to change without notice.

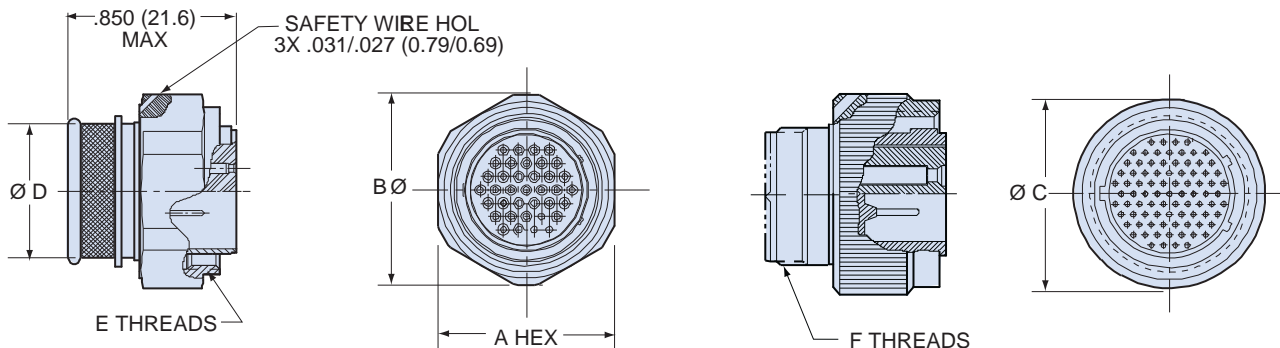
# Series 800 Mighty Mouse UN Mating Thread Plug

## 800-006 Thru 800-009 Dimensions



Series 800

### Plug connector



**Integral Band Platform**  
(Hex Coupling Shown)  
**800-006**  
**800-008**

**Hex Coupling Nut**  
**800-006**  
**800-007**

**Accessory Thread**  
(Round Coupling Shown)  
**800-007**  
**800-009**

**Plug Coupling**  
**800-008**  
**800-009**

Dimensions																
Shell Size	Std Coupling Nut - Style 06						Coupling Nut with Wave Spring - Style 16						Ø D		E Threads Coupling Nut	F Threads Accessory
	A Hex		Ø B		Ø C		A Hex		B Ø		Ø C					
	In.	mm.	In.	mm.	In.	mm.	In.	mm.	In.	mm.	In.	mm.	In.	mm.		
5	.430	10.92	.47	11.94	.43	10.92	.495	12.57	.54	13.72	.49	12.45	.230	5.84	.3125-28 UN-2B	.250-32 UNEF-2A
6	.500	12.70	.55	13.97	.50	12.70	.563	14.30	.62	15.75	.56	14.22	.286	7.26	.3750-28 UN-2B	.3125-32 UNEF-2A
7	.625	15.88	.68	17.27	.62	15.75	.720	18.29	.80	20.32	.68	17.27	.390	9.91	.4375-28 UNEF-2B	.4375-28 UNEF-2A
8	.680	17.27	.75	19.05	.68	17.27	.743	18.87	.83	21.08	.75	19.05	.445	11.30	.5000-32 UN-2B	.5000-28 UNEF-2A
9	.750	19.05	.83	21.08	.75	19.05	.813	20.65	.89	22.61	.81	20.57	.500	12.70	.5625-32 UN-2B	.5625-24 UNEF-2A
10	.812	20.62	.90	22.86	.81	20.57	.875	22.23	.96	24.38	.88	23.35	.565	14.35	.6250-32 UN-2B	.6250-24 UNEF-2A
12	.875	22.23	.97	24.64	.88	22.35	.938	23.83	1.03	26.16	.94	23.88	.650	16.51	.7500-28 UN-2B	.6875-24 UNEF-2A

Table II: Shell Key Positions			
Key Position	Key Rotation	Shell Size 5 and 6 Key Positions	Shell Size 7 thru 12 Key Positions
<b>N</b> Normal	150°		
<b>X</b>	140°		
<b>Y</b>	130°		
<b>Z</b>	120°		
<p><b>Shell size 5 and 6:</b> Master key is located at top dead center for normal (N) position.</p> <p><b>Shell size 7 thru 12:</b> Master key is rotated 90° from TDC for normal position.</p>			

Dimensions in Inches (millimeters) are subject to change without notice.



## Series 800 Mighty Mouse UN Mating Thread Inline and Panel Mount Receptacles 800-010 and 800-011 Ordering Information

**In-Line****Square Flange****Rear Panel Jam Nut**

**Integral Band Platform** for direct attachment of a cable shield using a Band-Master™ ATS strap. Install a boot, or overmold onto the band platform. An accessory thread is available for attaching strain reliefs and backshells.

**Three Shell Options:** Jam nut with o-ring for rear panel mounting, square flange or in-line receptacle for free-hanging cables.

C

How To Order						
Sample Part Number	800-011	-01	M	6-7	P	N
Series (See Table I)	<b>800-010</b> = With Banding Platform <b>800-011</b> = With Accessory Thread					
Shell Style (See Table II)	<b>-01</b> = In-Line <b>-02</b> = Square Flange for Front or Rear Mounting <b>-07</b> = Jam Nut for Rear Panel Mounting (See <i>Jam Nut Panel Cutout Dimensions</i> Page C-3)					
Shell Material and Finish	<b>C</b> = Aluminum / Black Anodize (Non-Conductive) RoHS Compliant <b>M</b> = Aluminum / Electroless Nickel RoHS Compliant <b>NF</b> = Aluminum / Cadmium with Olive Drab Chromate <b>ZNU</b> = Aluminum / Zinc-Nickel with Black Chromate <b>MT</b> = Aluminum / Nickel-PTFE RoHS Compliant <b>Z1</b> = Stainless Steel / Passivated RoHS Compliant					
Shell Size - Insert Arrangement	See Contact Arrangements page C-2					
Contact Type	<b>Connector supplied with crimp contacts</b> <b>P</b> = Pin <b>S</b> = Socket		<b>Connector supplied without contacts</b> <b>A</b> = Pin Connector <b>B</b> = Socket Connector		<b>Connector supplied with 30 AWG crimp contacts</b> <b>G</b> = Pin <b>H</b> = Socket	
Shell Key Position (See Table III)	<b>N</b> = Normal <b>X</b> = Pos. X <b>Y</b> = Pos. Y <b>Z</b> = Pos. Z					

Table I: Series	
<b>800-010</b> Receptacle with Banding Platform	<b>800-011</b> Receptacle with Accessory Thread

Table II: Shell Style		
<b>-01</b> In-Line	<b>-02</b> Square Flange or Rear Mounting	<b>-07</b> Jam Nut for Rear Panel Mounting

Dimensions in Inches (millimeters) are subject to change without notice.

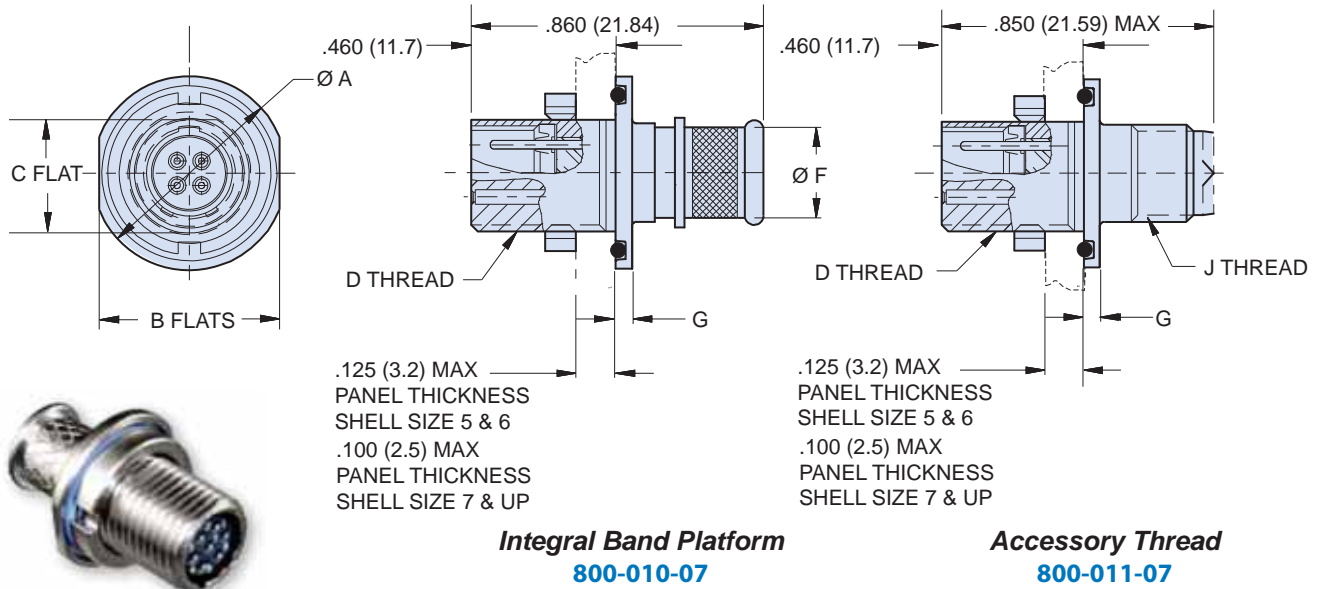


# Series 800 Mighty Mouse UN Mating Thread Inline and Panel Mount Receptacles 800-010 and 800-011 Dimensions



Series 800

## Jam nut, rear panel mount receptacle - shell style 07



Dimensions												
Shell Size	Ø A		B Flat		C Flat		D Threads Mating	Ø F		G		J Threads Accessory
	In.	mm.	In.	mm.	In.	mm.		In.	mm.	In.	mm.	
5	.541	13.74	.500	12.70	.285	7.24	.3125-28 UN-2A	.230	5.84	.051	1.30	.250-32 UNEF-2A
6	.610	15.49	.562	14.27	.352	8.94	.3750-28 UN-2A	.286	7.26	.051	1.30	.3125-32 UNEF-2A
7	.670	17.02	.635	16.13	.418	10.62	.4375-28 UNEF-2A	.390	9.91	.093	2.36	.4375-28 UNEF-2A
8	.775	19.69	.735	18.67	.473	12.01	.5000-32 UN-2A	.445	11.30	.093	2.36	.5000-28 UNEF-2A
9	.875	22.23	.806	20.47	.530	13.46	.5625-32 UN-2A	.500	12.70	.093	2.36	.5625-24 UNEF-2A
10	.980	24.89	.940	23.88	.604	15.34	.6250-32 UN-2A	.565	14.35	.093	2.36	.6250-24 UNEF-2A
12	1.062	26.97	.986	25.04	.712	18.08	.7500-28 UN-2A	.650	16.51	.093	2.36	.6875-24 UNEF-2A

Jam Nut Panel Cut Out				
Shell Size	Ø M		N Flat ± .002	
	in	mm	in	mm
5	.318	8.08	.302/.298	7.67/7.56
6	.386	9.80	.365/.361	9.27/9.17
7	.449	11.40	.429/.424	10.90/10.77
8	.510	12.95	.486/.482	12.34/12.24
9	.574	14.58	.543/.539	13.79/13.69
10	.635	16.13	.617/.613	15.67/15.57
12	.760	19.30	.725/.721	18.41/18.31

Table III: Shell Key Positions			
Key Position	Key Rotation	Shell Size 5 and 6 Key Positions	Shell Size 7 thru 12 Key Positions
N Normal	150°		
X	140°		
Y	130°		
Z	120°		
Shell size 5 and 6: master key is located at top dead center for normal (N) position.		Shell size 7 thru 12: master key is rotated 90° from TDC for normal position.	

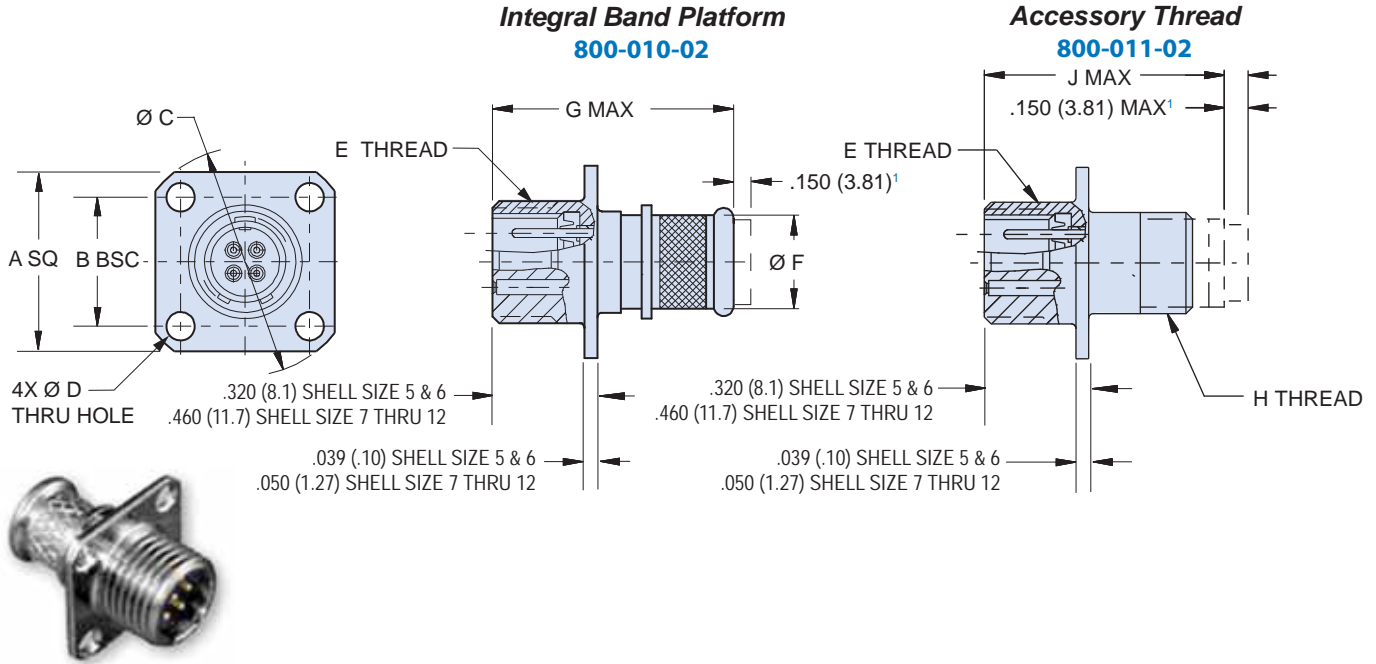
Dimensions in Inches (millimeters) are subject to change without notice.



# Series 800 Mighty Mouse UN Mating Thread Inline and Panel Mount Receptacles 800-010 and 800-011 Dimensions

## Square flange rear panel mount receptacle - shell style 02

C



Dimensions																		
Shell Size	A SQ		B Bsc		Ø C		Ø D		E Threads Mating	Ø F		G Max.		H Threads Accessory		J Max.		
	In.	mm.	In.	mm.	In.	mm.	In. ±.005	mm. ± 0.13		In.	mm.	In.	mm.	In.	mm.	In.	mm.	
5	.527	13.39	.363	9.22	.680	17.27	.094	2.39	.3125-28 UN-2A	.230	5.84	.730	18.54	.250-32 UNEF-2A	.725	18.42		
6	.588	14.92	.423	10.74	.750	19.05	.094	2.39	.3750-28 UN-2A	.286	7.26	.730	18.54	.3125-32 UNEF-2A	.725	18.42		
7	.650	16.51	.483	12.27	.830	21.08	.128	3.25	.4375-28 UNEF-2A	.390	9.91	.805	20.45	.4375-28 UNEF-2A	.800	20.32		
8	.710	18.03	.542	13.77	.938	23.83	.128	3.25	.5000-32 UN-2A	.445	11.30	.805	20.45	.5000-28 UNEF-2A	.800	20.32		
9	.938	23.83	.719	18.26	1.250	31.75	.128	3.25	.5625-32 UN-2A	.500	12.70	.805	20.45	.5625-24 UNEF-2A	.800	20.32		
10	.938	23.83	.719	18.26	1.250	31.75	.128	3.25	.6250-32 UN-2A	.565	14.35	.805	20.45	.6250-24 UNEF-2A	.800	20.32		
12	1.031	26.19	.812	20.62	1.375	34.93	.128	3.25	.7500-28 UN-2A	.650	16.51	.805	20.45	.6875-24 UNEF-2A	.800	20.32		

**NOTES**

- Grommet protrudes for power and/combo arrangements
- For panel cut out dimensions see page C-3

Table III: Shell Key Positions			
Key Position	Key Rotation	Shell Size 5 and 6 Key Positions	Shell Size 7 thru 12 Key Positions
<b>N</b> Normal	150°		
<b>X</b>	140°		
<b>Y</b>	130°		
<b>Z</b>	120°		
Shell size 5 and 6: master key is located at top dead center for normal (N) position.		Shell size 7 thru 12: master key is rotated 90° from TDC for normal position.	

Dimensions in Inches (millimeters) are subject to change without notice.

# Series 800 Mighty Mouse UN Mating Thread Inline and Panel Mount Receptacles 800-010-01 and 800-011-01 Dimensions

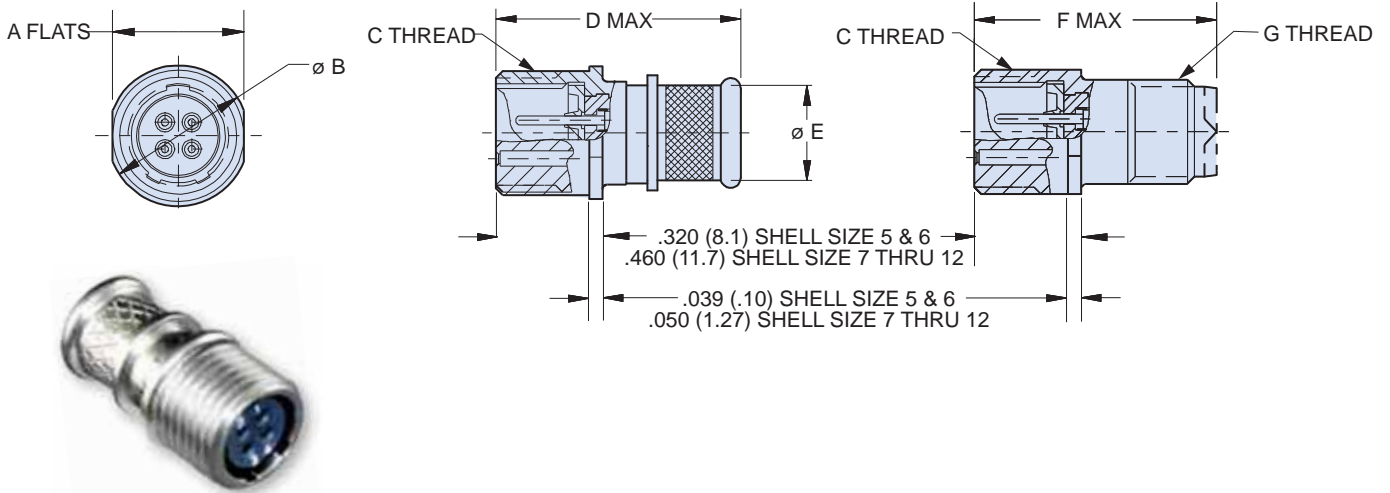


Series 800

## In-line cable receptacle - shell style 01

### Integral Band Platform 800-010-01

### Accessory Thread 800-011-01



### Dimensions

Shell Size	A Flats		Ø B		C Threads Mating	D Max.		Ø E		F Max.		G Threads Accessory
	In.	mm.	In.	mm.		In.	mm.	In.	mm.	In.	mm.	
5	.312	7.92	.355	9.02	.3125-28 UN-2A	.750	19.05	.230	5.84	.725	18.42	.250-32 UNEF-2A
6	.375	9.53	.400	10.16	.3750-28 UN-2A	.750	19.05	.286	7.26	.725	18.42	.3125-32 UNEF-2A
7	.445	11.30	.490	12.45	.4375-28 UNEF-2A	.825	20.96	.390	9.91	.800	20.32	.4375-28 UNEF-2A
8	.550	13.97	.600	15.24	.5000-32 UN-2A	.825	20.96	.445	11.30	.800	20.32	.5000-28 UNEF-2A
9	.613	15.57	.663	16.84	.5625-32 UN-2A	.825	20.96	.500	12.70	.800	20.32	.5625-24 UNEF-2A
10	.675	17.15	.725	18.42	.6250-32 UN-2A	.825	20.96	.565	14.35	.800	20.32	.6250-24 UNEF-2A
12	.800	20.32	.850	21.59	.7500-28 UN-2A	.825	20.96	.650	16.51	.800	20.32	.6875-24 UNEF-2A

Table III: Shell Key Positions

Key Position	Key Rotation	Shell Size 5 and 6 Key Positions	Shell Size 7 thru 12 Key Positions
<b>N</b> Normal	150°		
<b>X</b>	140°		
<b>Y</b>	130°		
<b>Z</b>	120°		
Shell size 5 and 6: master key is located at top dead center for normal (N) position.			
Shell size 7 thru 12: master key is rotated 90° from TDC for normal position.			

Dimensions in Inches (millimeters) are subject to change without notice.



# Series 800 Mighty Mouse UN Mating Thread PC Tail or Solder Cup PCB Receptacle

## 800-012 and 800-040 Ordering Information



**Printed Circuit Board/ Solder Cup Receptacles** feature low profile shells for minimum protrusion inside enclosures and integral board standoffs. Contacts are non-removable.

**Water Immersion, Unmated** Specify **800-012** connectors for applications where open face water immersion is not a requirement. For MIL-STD-810 Method 512G immersion requirements, specify **800-040** watertight connectors. These 800-040 connectors are specially sealed ("MOD-518") and are 100% tested to maintain a helium leak rate of  $1 \times 10^{-4}$  cc/second at one atmosphere pressure differential from -40C to +70C.

### How To Order

Sample Part Number	800-012	-07	M	7-10	P	Z
Series	<b>800-012</b> = Receptacle for Solder Cup or PCB Termination, with Standard Epoxy Potting <b>800-040</b> = Receptacle for Solder Cup or PCB Termination, With Special "MOD-518" Sealing For Open Face (Unmated) Water Immersion Requirements. 100% Leak Tested.					
Shell Style (See Table I)	<b>-02</b> = Square Flange <b>-07</b> = Jam Nut (See <i>Jam Nut Panel Cutout Dimensions Page C-3</i> )					
Shell Material and Finish	<b>C</b> = Aluminum / Black Anodize (Non-Conductive) RoHS Compliant <b>M</b> = Aluminum / Electroless Nickel RoHS Compliant <b>NF</b> = Aluminum / Cadmium with Olive Drab Chromate <b>ZNU</b> = Aluminum / Zinc-Nickel with Black Chromate <b>MT</b> = Aluminum / Nickel-PTFE RoHS Compliant <b>Z1</b> = Stainless Steel / Passivated RoHS Compliant					
Shell Size - Insert Arrangement	See Contact Arrangements page C-2					
Contact Type	<b>P</b> = Pin, PC Tail <b>S</b> = Socket, PC Tail		<b>E</b> = Pin, Solder Cup <b>F</b> = Socket, Solder Cup			
Shell Key Position (See Table II)	<b>N</b> = Normal <b>X</b> = Pos. X <b>Y</b> = Pos. Y <b>Z</b> = Pos. Z					

Table I: Shell Style

<b>-02</b> Square Flange Front Mount	<b>-07</b> Jam Nut for Rear Panel Mounting

Recommended Panel Cut Out

Shell Size	Ø M		N Flat ± .002		
	in	mm	in	mm	
5	.318	8.08	.297/.292	7.54/7.42	
6	.386	9.80	.365/.360	9.27/9.14	
7	.449	11.40	.429/.424	10.90/10.77	
8	.510	12.95	.483	12.67	
9	.574	14.58	.540	13.71	
10	.635	16.13	.614	15.60	
12	.760	19.30	.722	18.34	

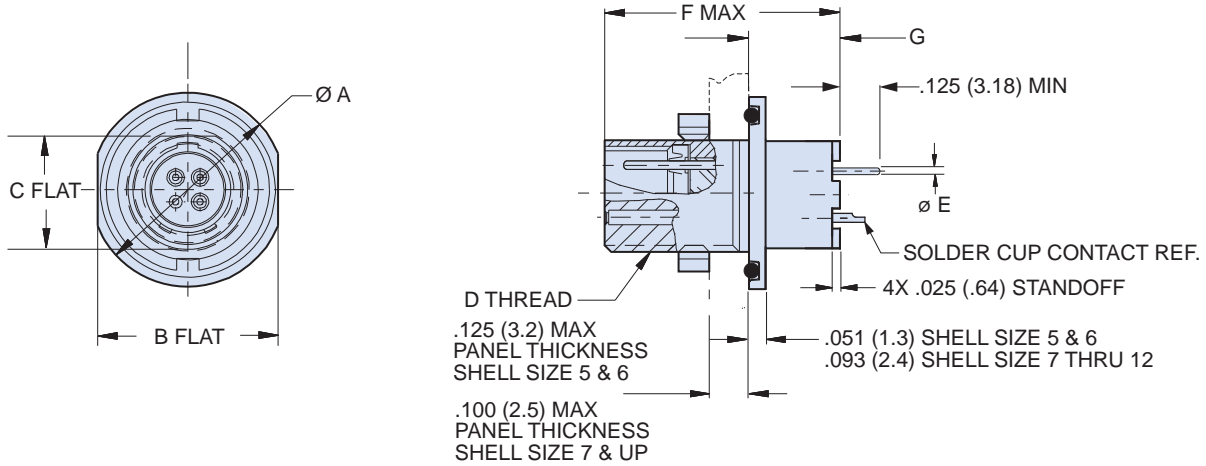
Dimensions in Inches (millimeters) are subject to change without notice.

Series 800 Mighty Mouse UN Mating Thread  
PC Tail or Solder Cup PCB Receptacle  
800-012 and 800-040 Dimensions



Series 800

**Jam nut mount receptacle - shell style 07**



Dimensions												
Shell Size	Ø A		B Flat		C Flat		D Threads Mating	Ø E Tail Dia.	F Max		G	
	In.	Mm.	In.	Mm.	In.	Mm.			In.	Mm.	In.	Mm.
5	.541	13.74	.500	12.70	.285	7.24	.3125-28 Un-2A	#23 .018/.022 (0.46/0.56)	.725	18.42	.247	6.27
6	.610	15.49	.562	14.27	.352	8.94	.3750-28 Un-2A		.725	18.42	.247	6.27
7	.670	17.02	.635	16.13	.411	10.44	.4375-28 Unef-2A	#20 .024/.028 (0.61/0.71)	.700	17.78	.205	5.21
8	.775	19.69	.735	18.67	.473	12.01	.5000-32 Un-2A		.700	17.78	.205	5.21
9	.875	22.23	.806	20.47	.530	13.46	.5625-32 Un-2A	#16 .060/.064 (1.52/1.63)	.700	17.78	.205	5.21
10	.980	24.89	.940	23.88	.604	15.34	.6250-32 Un-2A		.700	17.78	.205	5.21
12	1.062	26.97	.986	25.04	.712	18.08	.7500-28 Un-2A	#12 .092/.096 (2.34/2.44)	.700	17.78	.205	5.21

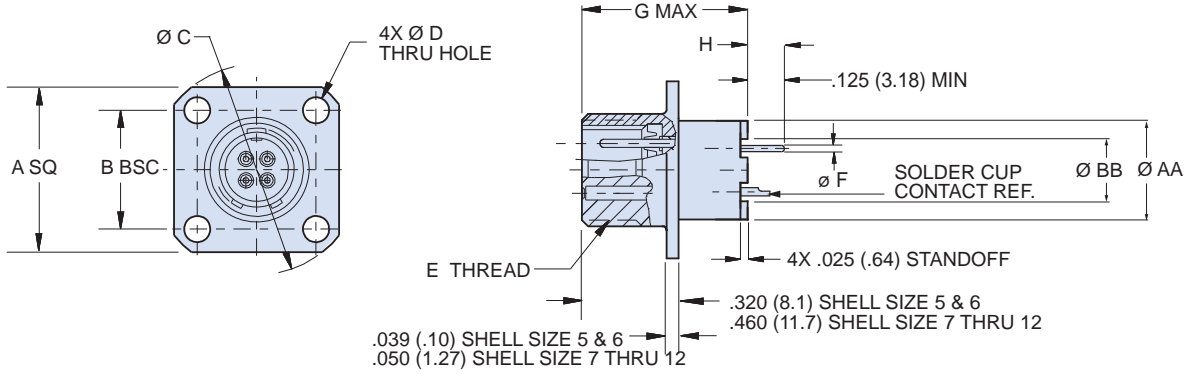
Table II: Shell Key Positions			
Key Position	Key Rotation	Shell Size 5 and 6 Key Positions	Shell Size 7 thru 12 Key Positions
<b>N</b> Normal	150°		
<b>X</b>	140°		
<b>Y</b>	130°		
<b>Z</b>	120°		
Shell size 5 and 6: master key is located at top dead center for normal (N) position.  Shell size 7 thru 12: master key is rotated 90° from TDC for normal position.			

Dimensions in Inches (millimeters) are subject to change without notice.



# Series 800 Mighty Mouse UN Mating Thread PC Tail or Solder Cup PCB Receptacle 800-012 and 800-040 Dimensions

## Square flange mount receptacle - shell style 02



C

Dimensions																
Shell Size	A SQ		B		Ø C		Ø D		E Threads Mating	Ø F Tail Dia.	G Max		H			
	In.	mm.	In.	mm.	In.	mm.	± .005 ± 0.13				In.	mm.	In.	mm.	In.	mm.
5	.527	13.39	.363	9.22	.680	17.27	.096/	2.44/	.3125-28 UN-2A	#23 .018/.022 (0.46/0.56)	.725	18.42	.426	10.82		
6	.588	14.92	.423	10.74	.750	19.05	.091	2.31	.3750-28 UN-2A		.725	18.42	.426	10.82		
7	.650	16.51	.483	12.27	.830	21.08	.128	3.25	.4375-28 UNEF-2A	#20 .024/.028 (0.61/0.71)	.700	17.78	.255	6.48		
8	.710	18.03	.542	13.77	.938	23.83	.128	3.25	.5000-32 UN-2A		.700	17.78	.255	6.48		
9	.938	23.83	.719	18.26	1.250	31.75	.128	3.25	.5625-32 UN-2A	#16 .060/.064 (1.52/1.63)	.700	17.78	.255	6.48		
10	.938	23.83	.719	18.26	1.250	31.75	.128	3.25	.6250-32 UN-2A		.700	17.78	.255	6.48		
12	1.031	26.19	.812	20.62	1.375	34.93	.128	3.25	.7500-28 UN-2A	#12 .092/.096 (2.34/2.44)	.700	17.78	.255	6.48		

Dimensions (Continued)				
Shell Size	Ø AA O.D.		Ø BB I.D.	
	In.	mm.	In.	mm.
5	.265	6.73	.186	4.72
6	.330	8.38	.238	6.05
7	.424	10.77	.327	8.31
8	.448	11.38	.388	9.86
9	.500	12.70	.446	11.33
10	.575	14.61	.515	13.08
12	.660	16.76	.599	15.21

Dimensions in Inches (millimeters) are subject to change without notice.

# Series 800 Mighty Mouse UN Mating Thread Right Angle Printed Circuit Board Receptacle Headers 800-032 Ordering Information



Series 800



**Printed Circuit Board Right Angle I/O Header** features gold-plated size #23 contacts. UN mating thread, and aluminum or stainless steel shells. Rubber seal protects mated connectors from water ingress. 5 amp current rating, 500 VAC voltage rating. Contacts are factory-installed and are non-removable. Thermoplastic rear housing has #2-56 threaded inserts for attaching to circuit board with customer-supplied mounting screws. Connectors attach to chassis or panel with low-profile jam nut and O-ring. Available in six contact arrangements, these right angle headers are ideal for hostile environments where 100/100BASE-T Ethernet applications where commercial-grade RJ-45 jacks are not advised.

How To Order	
<b>Sample Part Number</b>	<b>800-032 -07 M 7-10 P Z</b>
<b>Series</b>	<b>800-032</b> PCB Receptacle
<b>Shell Style</b>	<b>-07</b> = Jam Nut
<b>Shell Material and Finish</b>	<b>C</b> = Aluminum / Black Anodize (Non-Conductive) RoHS Compliant <b>M</b> = Aluminum / Electroless Nickel RoHS Compliant <b>NF</b> = Aluminum / Cadmium with Olive Drab Chromate <b>ZNU</b> = Aluminum / Zinc-Nickel with Black Chromate <b>MT</b> = Aluminum / Nickel-PTFE RoHS Compliant <b>Z1</b> = Stainless Steel / Passivated RoHS Compliant
<b>Shell Size - Insert Arrangement</b>	<b>5-3, 6-1, 6-4, 6-6, 6-7, 7-1, 7-10, 8-2, 8-13, 9-4, 9-19, 9-200, 10-2, 10-5, 10-201</b>
<b>Contact Type</b>	<b>P</b> = Pin, PC Tail <b>S</b> = Socket, PC Tail
<b>Shell Key Position (See Table I)</b>	<b>N</b> = Normal <b>X</b> = Pos. X <b>Y</b> = Pos. Y <b>Z</b> = Pos. Z

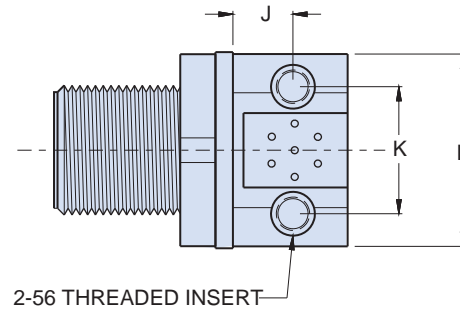
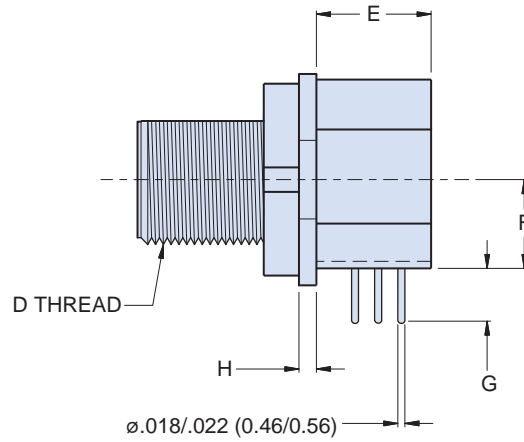
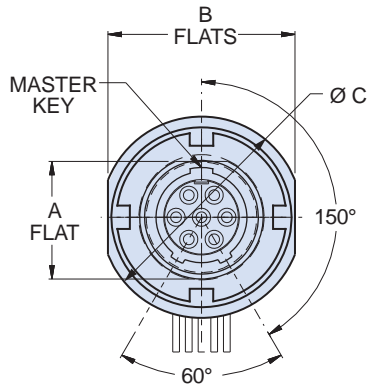
Recommended Panel Cutout				
<p>SHELL SIZE 5, 6, 7, 9</p>				
<p>SHELL SIZE 8</p>				
Shell Size	A Flat	øB		
	In.	mm.	In.	mm.
5	+.004/-.000	+0.10/-0.00	±.005	±0.13
6	.292	7.47	.322	8.18
7-1	.358	9.14	.385	9.78
7-10	.417	10.64	.447	11.35
8	.417	10.64	.449	11.40
9	.479	12.22	.510	12.95
10	.536	13.67	.572	14.53
	.610	15.49	.635	16.13

Table I: Shell Key Positions			
Key Position	Key Rotation	Shell Size 5 and 6 Key Positions	Shell Size 7 thru 12 Key Positions
<b>N</b> Normal	150°		
<b>X</b>	140°		
<b>Y</b>	130°		
<b>Z</b>	120°		
Shell size 5 and 6: master key is located at top dead center for normal (N) position.		Shell size 7 thru 12: master key is rotated 90° from TDC for normal position.	

Dimensions in Inches (millimeters) are subject to change without notice.

# Series 800 Mighty Mouse UN Mating Thread Right Angle Printed Circuit Board Receptacle Headers 800-032 Dimensions

## Jam nut mount receptacle - shell style 07



### Dimensions

Size - Arr	A Flat		B Flat		Ø C		D Threads	E		F		G		H		J		K		L	
	In.	mm.	In.	mm.	In.	mm.		In.	mm.	In.	mm.	±.035	±0.89	±.005	±0.13	In.	mm.	In.	mm.	In.	mm.
	±.005	±0.13																			
5-3	.282/.291	7.16/7.39	.497	12.62	.538	13.67	.3125-28 UN-2A	.260	6.60	.235	5.97	.257	6.53	.050	1.27	.165	4.19	.310	7.87	.49	12.45
6-1	.350/.359	8.89/9.12	.559	14.20	.602	15.29	.3750-28 UN-2A	.350	8.89	.225	5.72	.285	7.24	.050	1.27	.224	5.69	.385	9.78	.58	14.73
6-4	.350/.359	8.89/9.12	.559	14.20	.602	15.29	.3750-28 UN-2A	.330	8.38	.225	5.72	.285	7.24	.050	1.27	.224	5.69	.385	9.78	.58	14.73
6-6,6-7	.350/.359	8.89/9.12	.559	14.20	.602	15.29	.3750-28 UN-2A	.350	8.89	.225	5.72	.285	7.24	.050	1.27	.187	4.75	.408	10.36	.58	14.73
7-1	.409/.418	10.39/10.62	.643	16.33	.664	16.87	.4375-28 UNEF-2A	.350	8.89	.296	7.52	.200	5.08	.092	2.34	.170	4.32	.452	11.48	.71	18.03
7-10	.409/.418	10.39/10.62	.643	16.33	.664	16.87	.4375-28 UNEF-2A	.350	8.89	.296	7.52	.274	6.96	.092	2.34	.170	4.32	.452	11.48	.71	18.03
8-2	.471/.480	11.96/12.19	.731	18.57	.770	19.56	.5000-28 UN-2A	.490	12.45	.320	8.13	.336	8.53	.092	2.34	.230	5.84	.490	12.45	.71	18.03
8-13	.471/.480	11.96/12.19	.731	18.57	.770	19.56	.5000-32 UN-2A	.490	12.45	.320	8.13	.315	8.00	.092	2.34	.230	5.84	.490	12.45	.71	18.03
9-4	.528/.537	13.41/13.64	.803	20.40	.872	22.15	.5625-28 UN-2A	.490	12.45	.362	9.19	.288	7.32	.092	2.34	.342	8.69	.600	15.24	.80	20.32
9-19	.528/.537	13.41/13.64	.803	20.40	.872	22.15	.5625-32 UN-2A	.490	12.45	.362	9.19	.283	7.19	.092	2.34	.342	8.69	.600	15.24	.80	20.32
9-200	.528/.537	13.41/13.64	.803	20.40	.872	22.15	.5625-28 UN-2A	.490	12.45	.362	9.19	.240	6.10	.092	2.34	.342	8.69	.600	15.24	.80	20.32
10-2	.528/.537	13.41/13.64	.940	23.88	.976	24.79	.6250-28 UN-2A	.570	14.48	.397	10.08	.272	6.91	.092	2.34	.362	9.19	.640	16.26	.84	21.34
10-5	.602/.611	15.29/15.52	.940	23.88	.976	24.79	.6250-28 UN-2A	.570	14.48	.397	10.08	.305	7.75	.092	2.34	.362	9.19	.640	16.26	.84	21.34
10-201	.602/.611	15.29/15.52	.940	23.88	.976	24.79	.6250-28 UN-2A	.570	14.48	.397	10.08	.272	6.91	.092	2.34	.362	9.19	.640	16.26	.84	21.34

Dimensions in Inches (millimeters) are subject to change without notice.



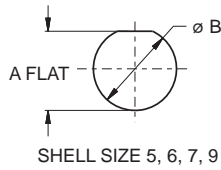
# Series 800 Mighty Mouse UN Mating Thread Right Angle Printed Circuit Board Receptacle Headers 800-032 Dimensions



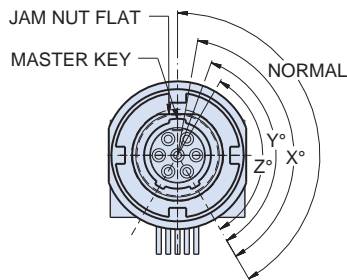
Series 800

C

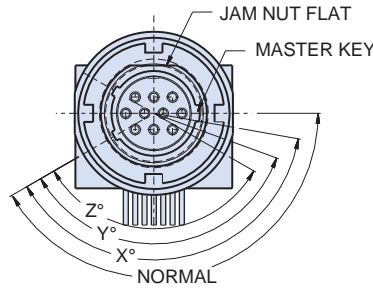
Panel Cutouts for Right Angle PCB Headers					
Size - Arr.	A Flat		øB		SHELL SIZE 5, 6, 7, 9
	In.	mm.	In.	mm.	
	+0.004/-0.000	+0.10/-0.00	±0.005	±0.13	
5-3	.292	7.42	.322	8.18	
6-1	.358	9.09	.385	9.78	
6-4	.358	9.09	.385	9.78	
6-6, 6-7	.358	9.09	.385	9.78	
7-1	.417	10.59	.447	11.35	
7-10	.417	10.59	.449	11.40	
8-2	.479	12.17	.510	12.95	
8-13	.479	12.17	.510	12.95	
9-4	.536	13.61	.572	14.53	
9-19	.536	13.61	.572	14.53	
9-200	.536	13.61	.572	14.53	
10-2	.610	15.49	.635	16.13	
10-5	.610	15.49	.635	16.13	
10-201	.610	15.49	.635	16.13	



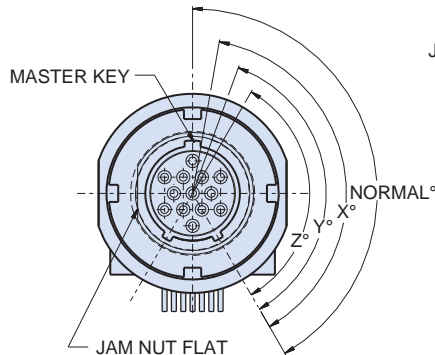
## FACE VIEWS OF RIGHT ANGLE PCB HEADERS



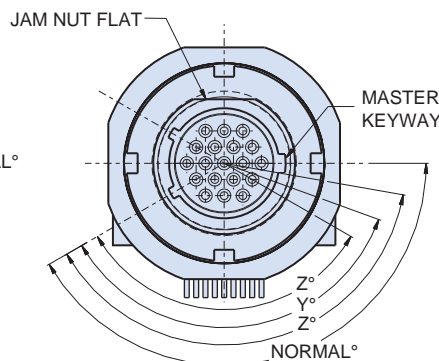
JAM NUT FLAT AND KEYWAY LOCATIONS  
SHELL SIZE 5 AND 6  
SOCKET FACE SHOWN



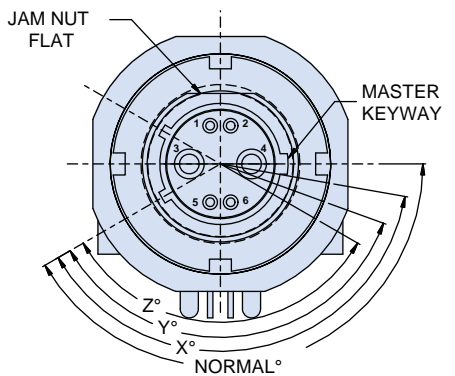
JAM NUT FLAT AND KEYWAY LOCATIONS  
SHELL SIZE 7  
SOCKET FACE SHOWN



JAM NUT FLAT AND KEYWAY LOCATIONS  
SHELL SIZE 8  
SOCKET FACE SHOWN



JAM NUT FLAT AND KEYWAY LOCATIONS  
SHELL SIZE 9  
SOCKET FACE SHOWN



JAM NUT FLAT AND KEYWAY LOCATIONS  
SHELL SIZE 10  
SOCKET FACE SHOWN

Key Positions	
Key Position	Key Rotation
<b>N</b> Normal	150°
<b>X</b>	140°
<b>Y</b>	130°
<b>Z</b>	120°

Dimensions in Inches (millimeters) are subject to change without notice.

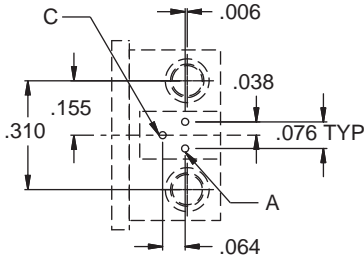


# Series 800 Mighty Mouse UN Mating Thread Right Angle Printed Circuit Board Receptacle Headers 800-032 PCB Mounting Footprints

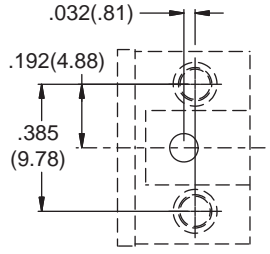
## RIGHT ANGLE PCB FOOTPRINTS: PIN CONNECTORS

Patterns shown are for component mounting side of PCB.

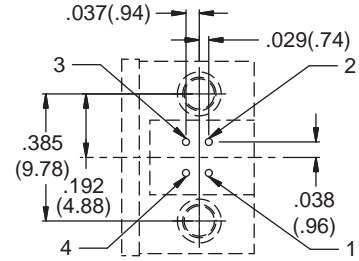
Contacts are .022 (0.56) max. diameter, mounting holes are 2-56 threaded inserts



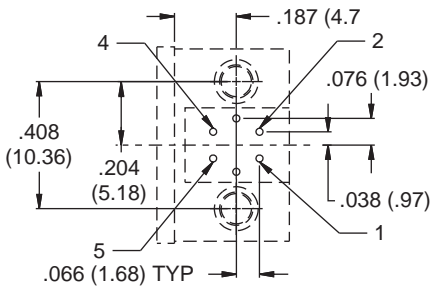
5-3



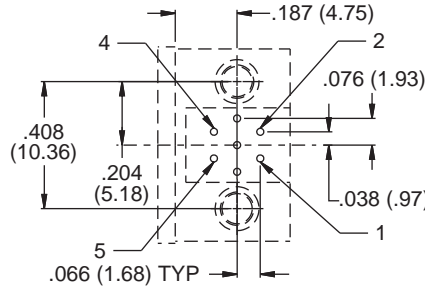
6-1



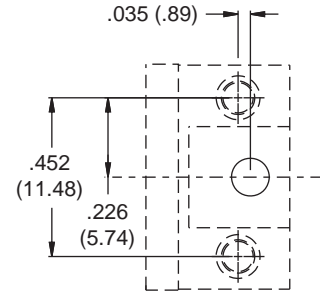
6-4



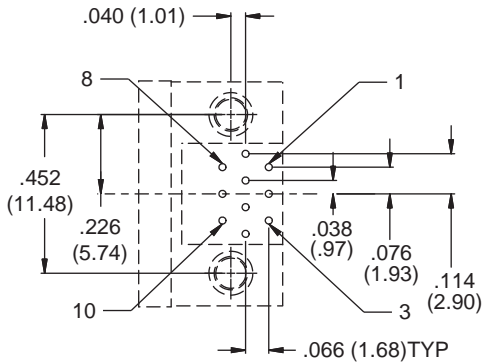
6-6



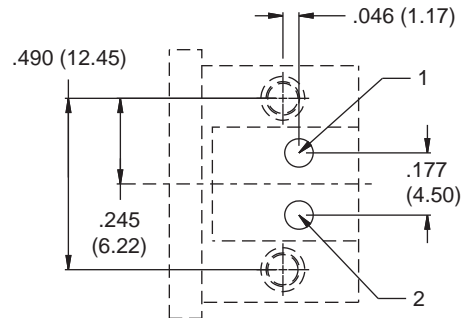
6-7



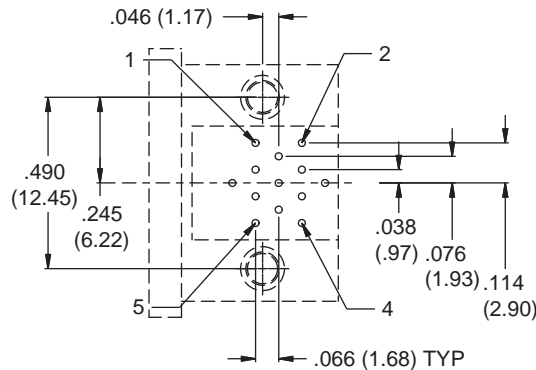
7-1



7-10



8-2



8-13

Dimensions in Inches (millimeters) are subject to change without notice.

# Series 800 Mighty Mouse UN Mating Thread Right Angle Printed Circuit Board Receptacle Headers 800-032 PCB Mounting Footprints

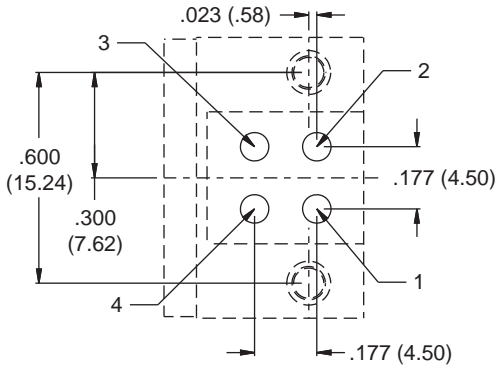


Series 800

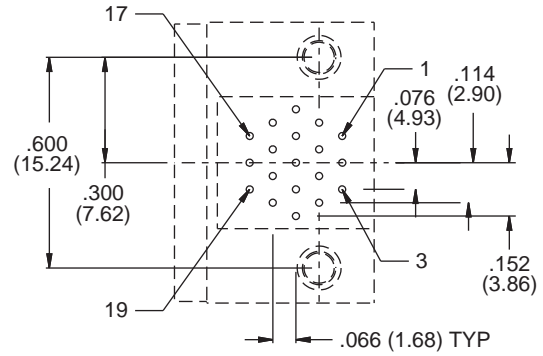
## RIGHT ANGLE PCB FOOTPRINTS: PIN CONNECTORS

Patterns shown are for component mounting side of PCB.

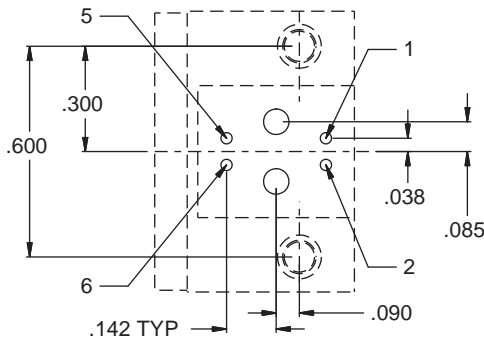
Contacts are .022 (0.56) max. diameter, mounting holes are 2-56 threaded inserts



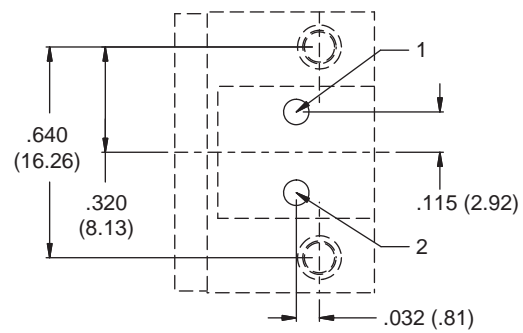
**9-4**



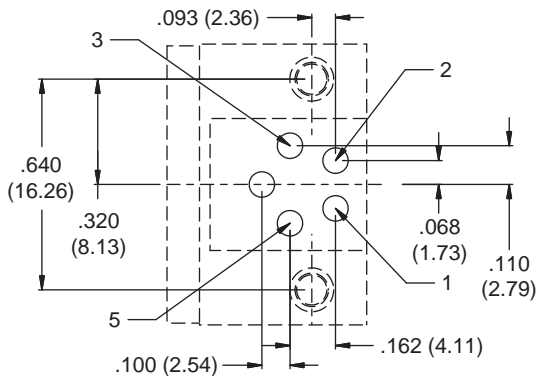
**9-19**



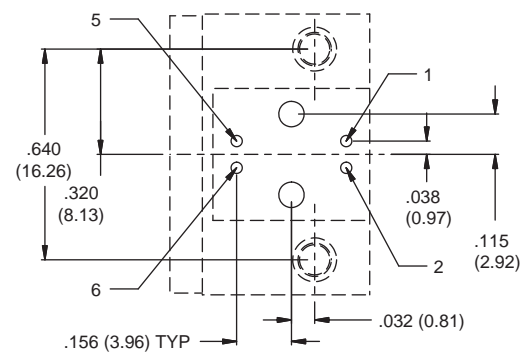
**9-200**



**10-2**



**10-5**



**10-201**

Dimensions in Inches (millimeters) are subject to change without notice.





# Series 800 Mighty Mouse Hermetic UN Mating Thread Hermetic Receptacle

## 800-013 Ordering Information



**Compact, Rugged Series 800** hermetic receptacles feature 304L stainless steel shells and vitreous glass insulators. Contacts are gold-plated iron alloy. UN mating thread. Available with male pin contacts (contact Glenair for hermetic connectors with female socket contacts). 100% helium leak tested to meet  $1 \times 10^{-7}$  cc/second maximum leak rate. 1000 psi open face (unmated) pressure rating. Contacts are factory-installed and are non-removable. Terminate to wires with solder cup versions, or choose PC tail versions for thru-hole soldering to rigid or flexible circuit boards. Available in all contact and insert arrangements between size 5 and 12.

### How To Order

<b>Sample Part Number</b>	<b>800-013</b>	<b>-02</b>	<b>Z1</b>	<b>6-7</b>	<b>P</b>	<b>N</b>
<b>Series</b>	800-013 Hermetic Receptacle					
<b>Shell Style (See Table I)</b>	<b>02</b> = Square Flange	<b>03</b> = Solder Mount	<b>07</b> = Jam Nut	See Shell		
<b>Shell Material and Finish</b>	<b>Z1</b> = Stainless Steel / Passivated RoHS Compliant <b>ZL</b> = Stainless Steel / Nickel Plated					
<b>Shell Size - Insert Arrangement</b>	See Contact Arrangements page C-2					
<b>Contact Type</b>	<b>P</b> = Pin, Solder Cup <b>S</b> = Socket, Solder Cup <b>C</b> = Pin, PC Tail <b>D</b> = Socket, PC Tail					
<b>Shell Key Position</b>	<b>N</b> = Normal <b>X</b> = Pos. X <b>Y</b> = Pos. Y <b>Z</b> = Pos. Z See page C-3					

Table I: Shell Style

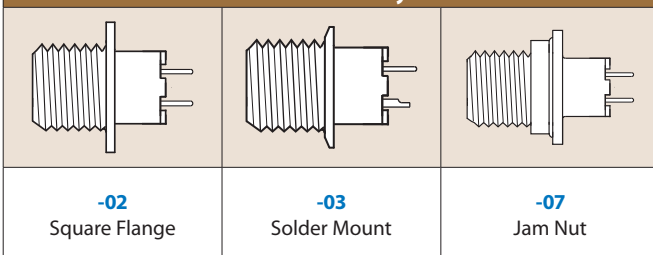


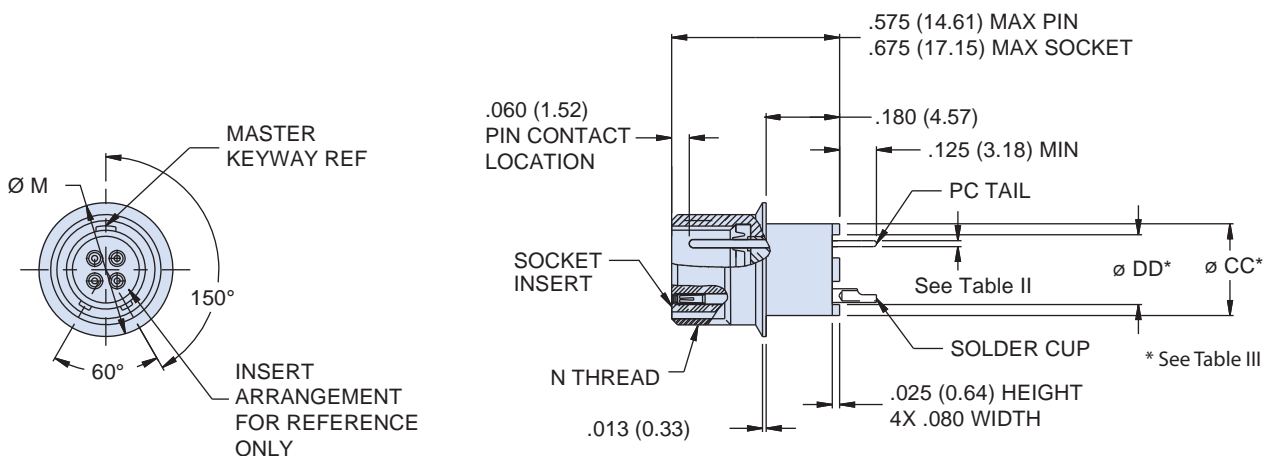
Table II: Contact Dimensions

Contact Size	Ø EE
23	.022/.018
20	.028/.024
16	.064/.060
12	.096/.092

Table III: CC and DD Dia.

Shell Size	Ø CC O.D.		Ø DD O.D.	
	in.	mm.	in.	mm.
5	.290	7.37	.197	5.00
6	.330	8.38	.256	6.50
7	.380	9.65	.325	8.26
8	.450	11.43	.390	9.91
9	.500	12.70	.452	11.48
10	.575	14.61	.520	13.21
12	.660	16.76	.610	15.49

### Solder mount receptacle - shell style 03 - shell size 5 and 6



Dimensions in Inches (millimeters) are subject to change without notice.

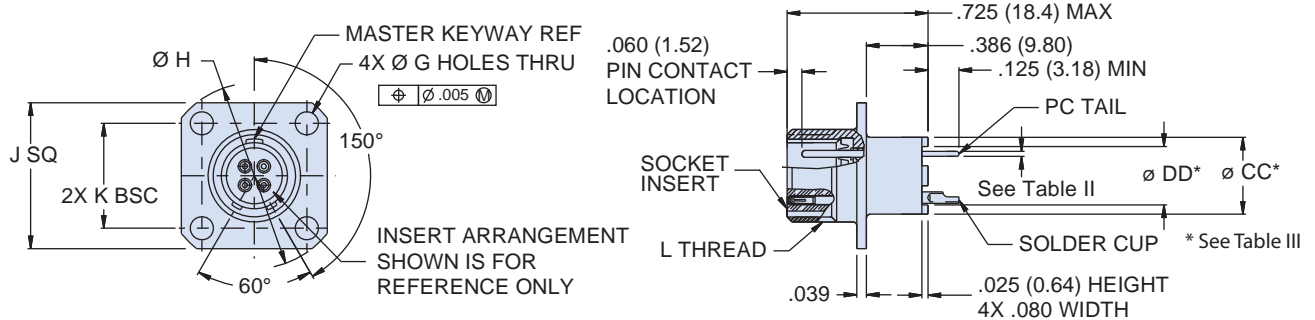
# Series 800 Mighty Mouse Hermetic UN Mating Thread Hermetic Receptacle

## 800-013 Shell Size 5 and 6 Dimensions

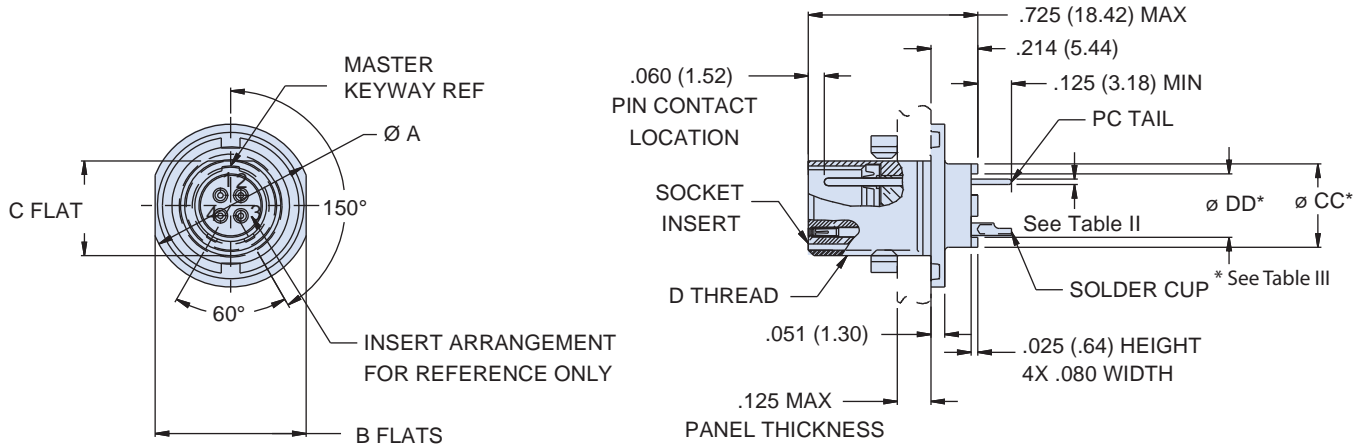


Series 800

### Square flange mount receptacle - shell style 02 - shell size 5 and 6



### Jam nut mount receptacle - shell style 07 - shell size 5 and 6



Solder Mount Dimensions			
Shell Size	$\varnothing M$		N Thread
	In	mm	
5	.400	10.16	.3125-28 UN-2A
6	.455	11.56	.3750-28 UN-2A

Square Flange Dimension									
Shell Size	$\varnothing G$		$\varnothing H$		J Sq		K BSC		L Thread
	In	mm	In	mm	In	mm	In	mm	
5	.096	2.44	.680	17.27	.527	13.39	.363	9.22	.3125-28 UN-2A
6	.091	2.31	.750	19.05	.588	14.93	.423	10.74	.3750-28 UN-2A

Jam Nut Dimensions							
Shell Size	$\varnothing A$		B Flat		C Flat		D Thread
	In	mm	In	mm	In	mm	
5	.541	13.74	.500	12.70	.285	7.24	.3125-28 UN-2A
6	.610	15.49	.562	14.27	.352	8.94	.3750-28 UN-2A

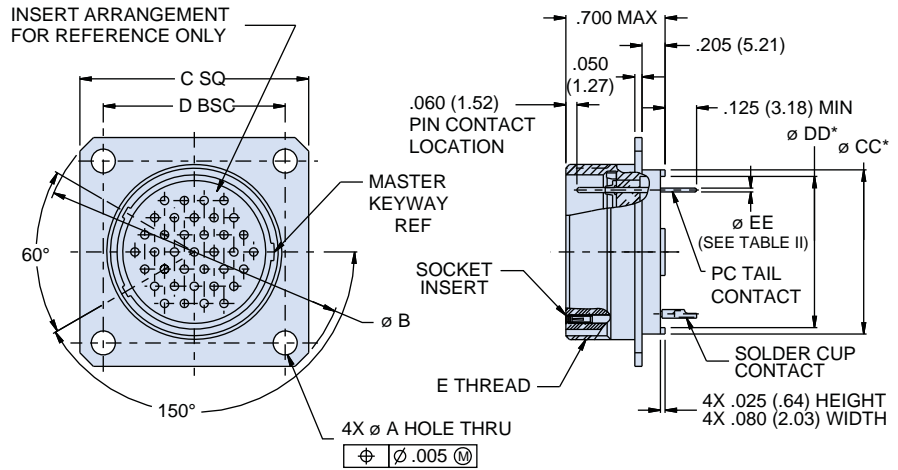
Jam Nut Panel Cut Out				
Shell Size	$\varnothing A$		B Flat	
	In	mm	In	mm
5	0.318	8.08	0.297	7.54
			0.292	7.42
6	0.386	9.80	0.365	9.27
			0.360	9.14

Dimensions in Inches (millimeters) are subject to change without notice.

# Series 800 Mighty Mouse Hermetic UN Mating Thread Hermetic Receptacle

## 800-013 Shell Size 7 thru 12 Dimensions

### Square flange, front panel mount receptacle - shell style 02 - shell size 7 thru 12



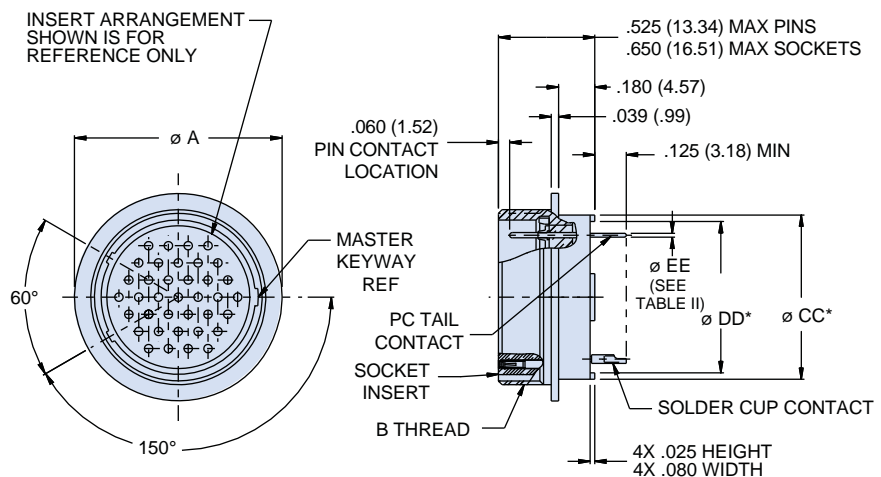
\* See Table Iii

#### Solder Mount Dimensions

Shell Size	∅ A	∅ B	C SQ	D BSC	E Thread
7	.096	2.44	.830	21.08	.650 16.51 .483 12.27 .4375-28 UNEF-2A
8	.091	2.31	.935	23.75	.710 18.03 .542 13.77 .5000-32 UN-2A
9	.130 .126	3.30 3.20	1.250	31.75	.938 23.83 .719 18.26 .5625-32 UN-2A
10			1.250	31.75	.938 23.83 .719 18.26 .6250-32 UN-2A
12			1.375	34.93	1.031 26.19 .812 20.62 .7500-28 UN-2A

### Solder mount, front panel mount receptacle - shell style 03 - shell size 7 thru 12

Square Flange Mount Dimensions			
Shell Size	∅ A	B Thread	
7	.520	13.21	.4375-28 UNEF-2A
8	.650	16.51	.5000-32 UN-2A
9	.764	19.41	.5625-32 UN-2A
10	.775	19.69	.6250-32 UN-2A
12	.858	21.79	.7500-28 UN-2A



\* See Table Iii

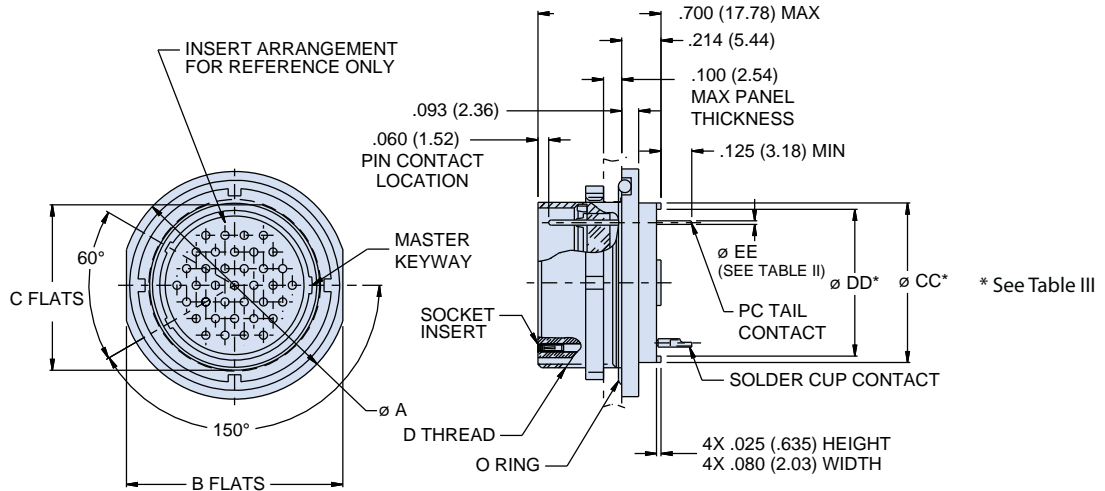
Dimensions in Inches (millimeters) are subject to change without notice.

Series 800 Mighty Mouse Hermetic UN Mating Thread  
Hermetic Receptacle  
800-013 Shell Size 7 thru 12 Dimensions



Series 800

**Jam nut, rear panel mount receptacle - shell style 07 - shell size 7 thru 12**



Jam Nut Dimensions					
Shell Size	Ø A	B Flats	C Flats	D Thread	
7	.670	17.02	.635 16.13	.411 10.44	.4375-28 UNEF-2A
8	.775	19.69	.735 18.67	.473 12.01	.5000-32 UN-2A
9	.875	22.23	.806 20.47	.530 13.46	.5625-32 UN-2A
10	.980	24.90	.940 23.88	.604 15.34	.6250-32 UN-2A
12	1.062	26.97	.986 25.04	.712 18.08	.7500-28 UN-2A

Jam Nut Panel Cutouts				
Shell Size	A Flat		ØB	
	In.	mm.	In.	mm.
5	.318	8.08	.297 .292	7.54 7.42
6	.386	9.80	.365 .360	9.27 9.14
7	.449	11.40	.429 .424	10.90 10.77
8	.510	12.95	.483	12.27
9	.574	14.58	.540	13.72
10	.635	16.13	.614	15.60
12	.760	19.30	.722	18.34

Dimensions in Inches (millimeters) are subject to change without notice.



# Series 800 Mighty Mouse Bulkhead Feed-Thru UN Mating Thread Receptacle

## 800-060 Ordering Information



**Series 800 Bulkhead Feed-Through** these connectors are double ended receptacle with feed-through pin-pin, socket-socket, or pin-socket contacts and available in shell sizes 5 to 12 with copper alloy gold-plated contacts. Your choice of standard aluminum alloy or stainless steel and seven standard finishes (see below). Contacts are factory-installed, and are non removable

C

### How To Order

Sample Part Number	800-060	-07	M	6-7	P	S	N
Series	800-060 = Feed-Through Jam Nut Mount Receptacle						
Shell Style	07 = Jam Nut						
Shell Material and Finish	C = Aluminum / Black Anodize (Non-Conductive) RoHS Compliant M = Aluminum / Electroless Nickel RoHS Compliant NF = Aluminum / Cadmium with Olive Drab Chromate ZNU = Aluminum / Zinc-Nickel with Black Chromate MT = Aluminum / Nickel-PTFE RoHS Compliant Z1 = Stainless Steel / Passivated RoHS Compliant						
Shell Size - Insert Arrangement	See Page C-2 for Contact Arrangements						
Contact Type* Jam Nut Side	P = Pin S = Socket						
Contact Type* Other Side	P = Pin S = Socket						
Shell Key Position (See Table I)	N = Normal X = Pos. X Y = Pos. Y Z = Pos. Z						

\* Connectors with PP and SS contact styles will cause the arrangement pattern to be mirrored about the vertical centerline.

### Shell Key Positions

Key Position	Key Rotation	Shell Size 5 and 6 Key Positions	Shell Size 7 thru 12 Key Positions
N Normal	150°		
X	140°		
Y	130°		
Z	120°		
Shell size 5 and 6: master key is located at top dead center for normal (N) position.  Shell size 7 thru 12: master key is rotated 90° from TDC for normal position.			

Dimensions in Inches (millimeters) are subject to change without notice.

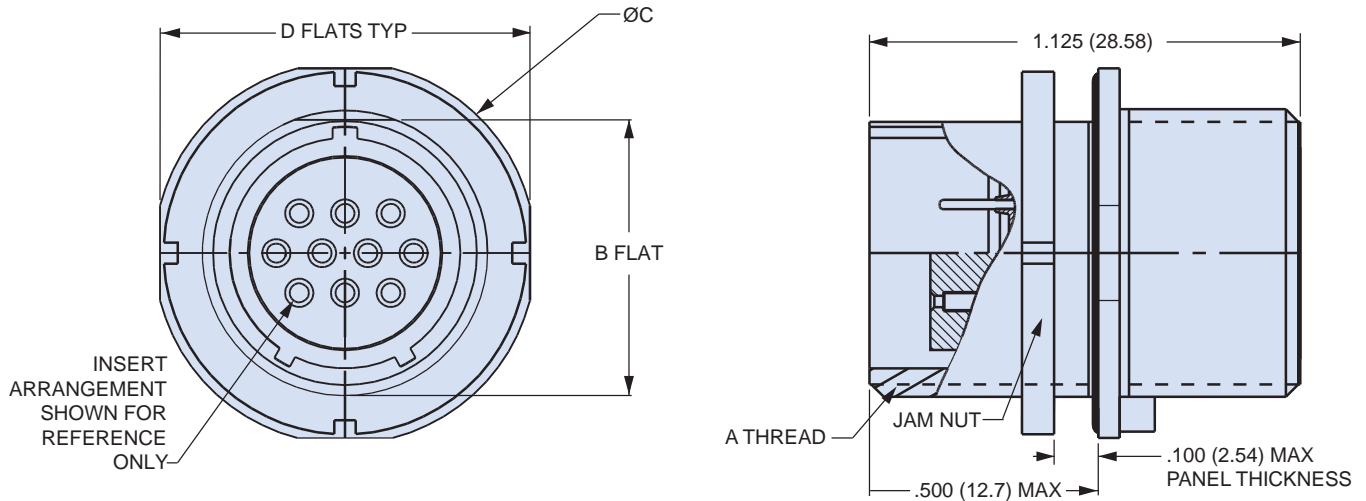


# Series 800 Mighty Mouse Bulkhead Feed-Thru UN Mating Thread Receptacle 800-060 Dimensions

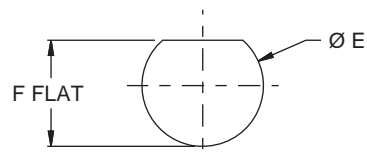


Series 800

## Jam nut, rear panel mount receptacle - shell style 07



Shell Size	A Thread	Dimensions						Panel Cutout Dimensions			
		B Flat		Ø C		D Flat		Ø E		F Flat	
		In.	mm.	In.	mm.	In.	mm.	In.	mm.	In.	mm.
5	.3125-28 UN-2A	.289	7.34	.538	13.67	.497	12.62	.323	8.20	.299 .295	7.59 7.49
6	.3750-28 UN-2A	.352	8.94	.602	15.29	.559	14.20	.385	9.78	.362 .358	9.19 9.09
7	.4375-28 UNEF-2A	.418	10.62	.664	16.87	.643	16.33	.448	11.38	.428 .424	10.87 10.77
8	.5000-32 UN-2A	.473	12.01	.770	19.56	.731	18.57	.510	12.95	.483 .479	12.27 12.17
9	.5625-32 UN-2A	.530	13.46	.872	22.15	.803	20.40	.573	14.55	.540 .536	13.72 13.61
10	.6250-32 UN-2A	.604	15.34	.976	24.79	.940	23.88	.635	16.13	.614 .610	15.60 15.49
12	.7500-28 UN-2A	.712	18.08	1.062	26.97	.986	25.04	.760	19.30	.722 .718	18.34 18.24



RECOMMENDED PANEL CUTOUT

Dimensions in Inches (millimeters) are subject to change without notice.

## Series 800 Harsh Environment Shielded Cordsets



High performance Mighty Mouse cordsets feature easy ordering and fast delivery. These fully shielded and watertight assemblies withstand abrasion, temperature extremes and chemicals. Flexible overmolding provides rugged, watertight protection to wire and shield. Two styles are available: **Style 1** polyamide overmold and polyurethane cable jacket, and **Style 2** improved temperature range, high flexibility thermoplastic rubber overmold and cable jacket. Overmolded Mighty Mouse cordsets are suitable for military gear and other hostile environments where interconnect reliability and survivability is essential.

### C

#### Product Features

- Single-ended or double-ended
- Rugged, watertight construction
- 100% electrically tested
- Flexible to -55°C. (Style 2)
- Stainless steel shield termination band
- Resistant to chemicals
- Withstands UV and ozone

### High-Speed Cordsets

Controlled impedance twisted pair cordsets for Ethernet, USB and other protocols are available. Please refer to Section U

#### Harsh Environment Cordset Selection Guide

Property	Style 1 Polyurethane Jacket Polyamide Overmold	Style 2 Rubber Jacket Rubber Overmold
Cable jacket	Thermoplastic polyurethane (TPU), black	Thermoplastic elastomer (TPV), black
Overmold	Polyamide, black	Thermoplastic elastomer (TPV), black
Operating temperature	-30° C. to +105° C.	-55° C. to +135° C.
Flexibility	Good	Excellent
Water Resistance	Waterproof	Waterproof
Solvent Resistance, Cable Jacket	Excellent	Good
Solvent Resistance, Overmold	Fair <sup>(1)</sup>	Good
Weatherability	Excellent	Excellent
Abrasion Resistance	Excellent	Good
Flammability	Flame retardant UL 94 V-0	Flame retardant UL 94 HB
Low Smoke, Zero Halogen Cable Jacket	Yes	No

(1) Excellent resistance to most solvents, fuels, and oils; poor resistance to strong acids and bipolar solvents (alcohol)

#### Specifications

Cable jacket	Style 1: thermoplastic polyurethane, black, low-smoke, zero-halogen Style 2: thermoplastic elastomer, black
Overmold	Style 1: polyamide Style 2: thermoplastic elastomer, black
Cable shield	Tin-coated copper braid, 90% minimum coverage
Conductors	Silver coated stranded wire, TFE insulated, per M22759/11
Shield Termination	Band-Master™ ATS stainless steel shield termination band
Current rating	#23–5 amps, #20–7.5 amps, #16–13 amps, #12–23 amps
Test voltage (DWW)	#23–750 Vac, #20–1000 vac, #16 and #12–1800 VAC sea level
Insulation resistance	200 Megohms minimum
Shielding effectiveness	50 dB minimum from 100MHz to 1000MHz.

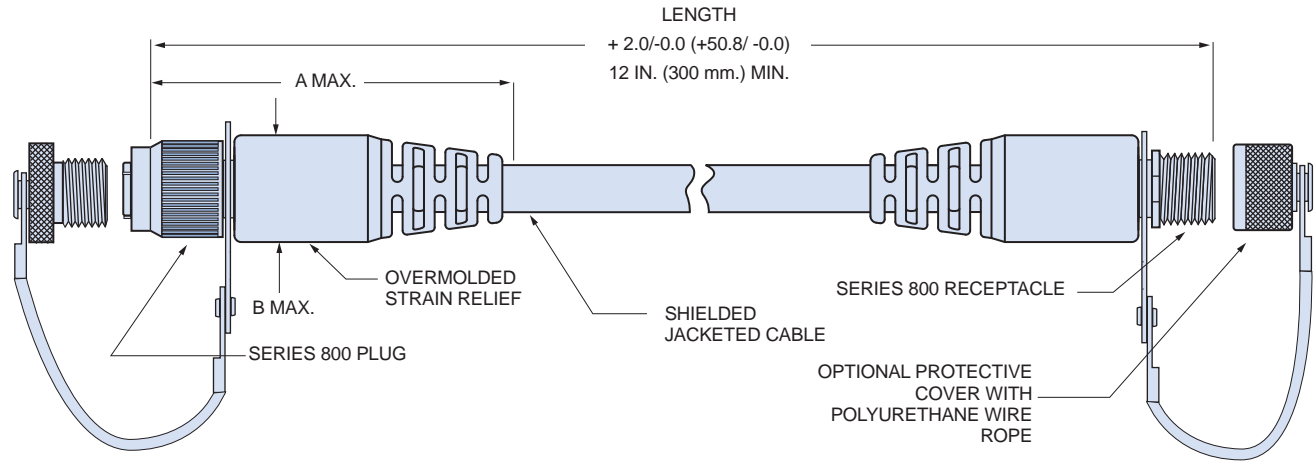
Dimensions in Inches (millimeters) are subject to change without notice.

# Series 800 Mighty Mouse with UN Mating Thread Overmolded Cordsets

## Dimensions



Series 800



C

Dimensions				
Shell Size	A Max.		B Max.	
	In.	mm.	In.	mm.
5	2.30	12.70	0.50	12.70
6	2.40	13.97	0.55	13.97
7	2.50	16.51	0.65	16.51
8	2.55	18.03	0.71	18.03
9	2.75	19.81	0.78	19.81
10	2.71	20.83	0.82	20.83
12	2.90	22.86	0.9	22.86

### NOTES

1. Double-ended cordsets are wired pin #1 to pin #1, #2 to #2, and so on.
2. Wires are silver-coated stranded copper with TFE insulation, 600V, in accordance with M22759/11.
3. Wire color is white.

Dimensions in Inches (millimeters) are subject to change without notice.



# Series 800 Mighty Mouse with UN Mating Thread Overmolded Cordsets

## 800-034, -056, -041, and -057 Ordering Information

C

Series 800 Cordsets with #23 Contacts									
Sample Part Number									
800-034	-A	C	K	2	M	8-28	N	X	-36
Series	End A Connector	End B Connector	Plug Style	Wire Size	Shell Material/ Finish	Insert Arr.	Protective Cover	Shell Key Pos.	Length
<b>800-034</b> <b>Style 1</b> Polyurethane Cable Jacket, Polyamide Overmold	<b>-A</b> Plug, with Male Pin Contacts	<b>A</b> Plug, with Male Pin Contacts	<b>K</b> Round Knurled Coupling Nut	<b>2</b> #22 AWG	<b>M</b> Aluminum / Electroless Nickel	See Cont. Arr. Page C-2	<b>P</b> Metal Protective Covers Included	<b>N</b> Normal	Overall Length In Inches
<b>800-056</b> <b>Style 2</b> Rubber Cable Jacket and Rubber Overmold, #23 Contacts	<b>-B</b> Plug, with Female Socket Contacts	<b>B</b> Plug, with Female Socket Contacts	<b>KL</b> Round Knurled Coupling Nut, Self-Locking	<b>4</b> #24 AWG	<b>NF</b> Aluminum / Cadmium with OD Chromate	Consult Factory for Combo Arr.	<b>N</b> No Covers Supplied	<b>X</b> Pos. X	12 Inch Min.
	<b>-C</b> Receptacle, with Male Pin Contacts	<b>C</b> Receptacle, with Male Pin Contacts	<b>H</b> Hex Coupling Nut		<b>ZNU</b> Aluminum / Zinc-Nickel with Black Chromate			<b>Y</b> Pos. Y	
	<b>-D</b> Receptacle, with Female Socket Contacts	<b>D</b> Receptacle, with Female Socket Contacts	<b>HL</b> Hex Coupling Nut, Self-Locking		<b>MT</b> Aluminum / Nickel-PTFE			<b>Z</b> Pos. Z	
		<b>N</b> No Connector (Single-Ended)	<b>N</b> Receptacle Cable		<b>Z1</b> Stainless Steel / Passivated			See page C-3	

Series 800 Cordsets with #20HD Contacts									
Sample Part Number									
800-041	-A	C	K	0	M	8-28	N	X	-36
Series	End A Connector	End B Connector	Plug Style	Wire Size	Shell Material / Finish	Insert Arr.	Protective Cover	Shell Key Pos.	Length
<b>800-041</b> <b>Style 1</b> Polyurethane Cable Jacket, Polyamide Overmold, #20HD Contacts	<b>-A</b> Plug, with Male Pin Contacts	<b>A</b> Plug, with Male Pin Contacts	<b>K</b> Round Knurled Coupling Nut	<b>0</b> #20 AWG	<b>M</b> Aluminum / Electroless Nickel	See Cont. Arr. page C-2	<b>P</b> Metal Protective Covers Included	<b>N</b> Normal	Overall Length In Inches
<b>800-057</b> <b>Style 2</b> Rubber Cable Jacket and Rubber Overmold,	<b>-B</b> Plug, with Female Socket Contacts	<b>B</b> Plug, with Female Socket Contacts	<b>KL</b> Round Knurled Coupling Nut, Self-Locking	<b>2</b> #22 AWG	<b>NF</b> Aluminum / Cadmium with OD Chromate	Consult Factory for Combo Arr.	<b>N</b> No Covers Supplied	<b>X</b> Pos. X	12 Inch Min.
	<b>-C</b> Receptacle, with Male Pin Contacts	<b>C</b> Receptacle, with Male Pin Contacts	<b>H</b> Hex Coupling Nut		<b>ZNU</b> Aluminum / Zinc-Nickel with Black Chromate			<b>Y</b> Pos. Y	
	<b>-D</b> Receptacle, with Female Socket Contacts	<b>D</b> Receptacle, with Female Socket Contacts	<b>HL</b> Hex Coupling Nut, Self-Locking		<b>MT</b> Aluminum / Nickel-PTFE			<b>Z</b> Pos. Z	
		<b>N</b> No Connector (Single-Ended)	<b>N</b> Receptacle Cable		<b>Z1</b> Stainless Steel / Passivated			See page C-3	

Dimensions in Inches (millimeters) are subject to change without notice.

# Series 800 Mighty Mouse with UN Mating Thread Overmolded Cordsets

800-038, -058, -039, and -059 Ordering Information



Series 800

Series 800 Cordsets with #16 Power Contacts									
Sample Part Number									
800-038	-A	C	K	6	M	8-2	N	X	-36
Series	End A Connector	End B Connector	Plug Style	Wire Size	Shell Material / Finish	Insert Arr.	Protective Cover	Shell Key Pos.	Length
<b>800-038</b> <b>Style 1</b> Polyurethane Cable Jacket, Polyamide Overmold, #16 Contacts	<b>-A</b> Plug, with Male Pin Contacts	<b>A</b> Plug, with Male Pin Contacts	<b>K</b> Round Knurled Coupling Nut	<b>6</b> #16 AWG	<b>M</b> Aluminum / Electroless Nickel	See Cont. Arr. Page C-2	<b>P</b> Metal Protective Covers Included	<b>N</b> Normal	Overall Length In Inches
	<b>-B</b> Plug, with Female Socket Contacts	<b>B</b> Plug, with Female Socket Contacts	<b>KL</b> Round Knurled Coupling Nut, Self-Locking	<b>8</b> #18 AWG	<b>NF</b> Aluminum / Cadmium with OD Chromate	Consult Factory for Combo Arr.	<b>N</b> No Covers Supplied	<b>X</b> Pos. X <b>Y</b> Pos. Y <b>Z</b> Pos. Z See Keyway pos page C-3	12 Inch Min.
<b>800-058</b> <b>Style 2</b> Rubber Cable Jacket and Rubber Overmold, #16 Contacts	<b>-C</b> Receptacle, with Male Pin Contacts	<b>C</b> Receptacle, with Male Pin Contacts	<b>H</b> Hex Coupling Nut		<b>ZNU</b> Aluminum / Zinc-Nickel with Black Chromate				
	<b>-D</b> Receptacle, with Female Socket Contacts	<b>D</b> Receptacle, with Female Socket Contacts	<b>HL</b> Hex Coupling Nut, Self-Locking		<b>MT</b> Aluminum / Nickel-PTFE				
		<b>N</b> No Connector (Single-Ended)	<b>N</b> Receptacle Cable		<b>Z1</b> Stainless Steel / Passivated				

Series 800 Cordsets with #12 Power Contacts									
Sample Part Number									
800-039	-A	C	K	2	M	8-2	N	X	-36
Series	End A Connector	End B Connector	Plug Style	Wire Size	Shell Material / Finish	Insert Arr.	Protective Cover	Shell Key Pos.	Length
<b>800-039</b> <b>Style 1</b> Polyurethane Cable Jacket, Polyamide Overmold, #12 Contacts	<b>-A</b> Plug, with Male Pin Contacts	<b>A</b> Plug, with Male Pin Contacts	<b>K</b> Round Knurled Coupling Nut	<b>2</b> #12 AWG	<b>M</b> Aluminum / Electroless Nickel	See Cont. Arr. Page C-2	<b>P</b> Metal Protective Covers Included	<b>N</b> Normal	Overall Length In Inches
	<b>-B</b> Plug, with Female Socket Contacts	<b>B</b> Plug, with Female Socket Contacts	<b>KL</b> Round Knurled Coupling Nut, Self-Locking	<b>4</b> #14 AWG	<b>NF</b> Aluminum / Cadmium with OD Chromate	Consult Factory for Combo Arr.	<b>N</b> No Covers Supplied	<b>X</b> Pos. X <b>Y</b> Pos. Y <b>Z</b> Pos. Z See Keyway pos page C-3	12 Inch Min.
<b>800-059</b> <b>Style 2</b> Rubber Cable Jacket and Rubber Overmold, #12 Contacts	<b>-C</b> Receptacle, with Male Pin Contacts	<b>C</b> Receptacle, with Male Pin Contacts	<b>H</b> Hex Coupling Nut		<b>ZNU</b> Aluminum / Zinc-Nickel with Black Chromate				
	<b>-D</b> Receptacle, with Female Socket Contacts	<b>D</b> Receptacle, with Female Socket Contacts	<b>HL</b> Hex Coupling Nut, Self-Locking		<b>MT</b> Aluminum / Nickel-PTFE				
		<b>N</b> No Connector (Single-Ended)	<b>N</b> Receptacle Cable		<b>Z1</b> Stainless Steel / Passivated				

Dimensions in Inches (millimeters) are subject to change without notice.





## Series 800 Mighty Mouse with UN Mating Thread Flexible, Lightweight Phantom Cable Cordsets General Information

### Series 800 Ultraflexible “Phantom Cable” Cordsets



Phantom Cable cordsets feature high-flex rubber-insulated wires, lightweight shield and overbraided jackets for maximum flexibility, reduced size and minimum weight. Flexible rubber overmold provides strain relief and environmental sealing. Available for all Mighty Mouse layouts with size #23 contacts, these cordsets are available with #24 through #28 AWG wire. EMI shield options include high-strength, ultralightweight **Amberstrand**® nickel-coated composite braid, **ArmorLite**™ or lightweight, high flexibility tinned copper braid. Braid outer jackets are available with **NOMEX**®, **HALAR**® or PTFE-coated fiberglass.

C

#### Product Features

- Overbraided cable jacket for excellent flexibility
- Ultra-lightweight AmberStrand® EMI shield
- 100% electrically tested
- Flexible to -55°C.
- Stainless steel shield termination band

#### Application Note

Overbraided textile jackets are ideal for applications where flexibility and weight are important. However, water can penetrate through the jacket and cable shield. Dust and contamination can also become entrapped in the braid. Braided jackets are prone to fraying damage caused by snagging on velcro closures and MOLLE vests. Extruded cable jackets are recommended if debris entrapment, moisture ingress or fraying damage are concerns.

Dimensions in Inches (millimeters) are subject to change without notice.

Braid Shield Selection Guide			
Property	Amberstrand®	Armorlite®	Copper
Type	nickel-coated high-strength super fiber	Micro-filament nickel-coated stainless steel	Tin-coated copper
Weight/ft. (0.5 in. ID)	3.7 grams	4.4 grams	22.3 grams
Operating Temp <sup>(1)</sup>	-65° C to +200° C	-80° C to +260° C	-80° C to +150° C
Coverage	90% min.	90% min.	90% min.
Flexibility	Excellent	Excellent	Good
Cost Comparison	\$\$\$	\$\$	\$

(1) Rubber wires and rubber overmold are rated for -55° C to +135° C.

Jacket Selection Guide			
Property	NOMEX®	HALAR®	PTFE Coated Fiberglass
Color	Black or olive drab	Black	Tan
Operating Temp <sup>(1)</sup>	-55° C to +260° C	-73° C to +150° C	-75° C to +300° C
Chemical Resistance	Excellent	Excellent	Excellent
Flammability	Self-extinguishing, will not melt	Fire retardant UL VW-1	Self-extinguishing
Toxicity	Non-toxic	Non-toxic	Non-toxic
Flexibility	Excellent	Excellent	Excellent
Abrasion resistance	Excellent	Excellent	Excellent

(1) Rubber wires and rubber overmold are rated for -55° C to +135° C.

Specifications	
Cable jacket	NOMEX®, HALAR® or PTFE-coated fiberglass
Temperature Range	-55° C to +135° C
Overmold	Thermoplastic elastomer, black
Cable shield	AmberStrand®, ArmorLite® or tinned copper, 90% minimum coverage
Conductors	Silver coated stranded wire, rubber insulation
Shield Termination	Band-Master™ ATS stainless steel shield termination band
Current rating	5 amps
Test voltage (DWV)	500 Vac
Insulation resistance	200 Megohms minimum
Shielding effectiveness	50 dB minimum from 100MHz to 1000MHz.

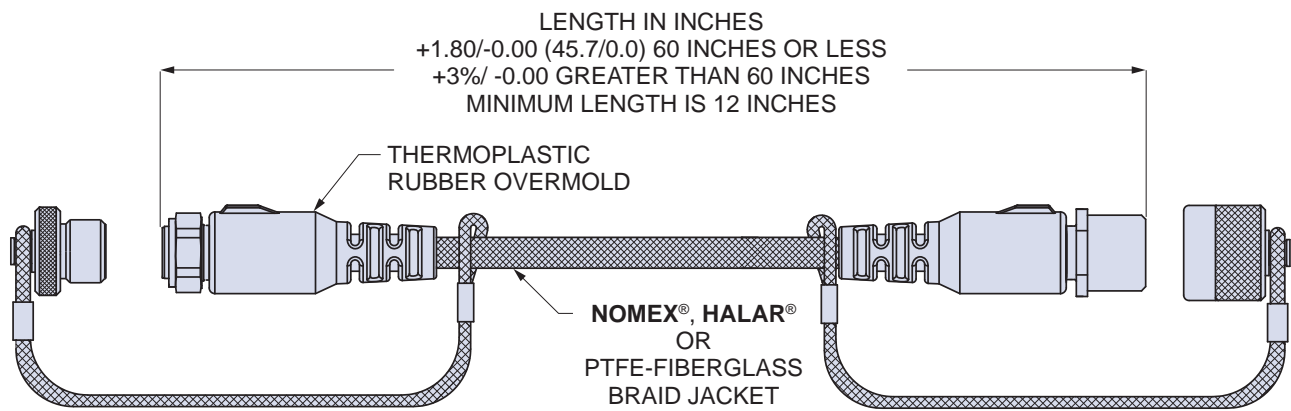
# Series 800 Mighty Mouse with UN Mating Thread Flexible, Lightweight Phantom Cable Cordsets

800-052, -053, -054, -055 Ordering Information



Series 800

Series 800 "Phantom Cable" Cordsets size #12 thru #23 Contacts										
Sample Part Number										
800-053	-B	N	0	Z1	5-3	N	X	-60	C	N
Series	End A Connector	End B Connector	Wire Size	Shell Material/ Finish	Insert Arr.	Protective Cover	Shell Key Pos.	Length	Shield Option	Jacket Option
<b>Size #23 Contacts</b> 800-052 Phantom Cable Cordset	-A Plug, with Male Pin Contacts	A Plug, with Male Pin Contacts	<b>Size #23 Contacts</b> 2 #22 AWG	M Aluminum / Electroless Nickel	See Cont. Arr. Page C-2	P Metal Protective Covers Included	N Normal X Pos. X Y Pos. Y Z Pos. Z	Overall Length In Inches 12 Inch Min.	A Amberstrand B Armorlite C Tin-Coated Copper	N Nomex H Halar (Monofil) P Peek (Monofil)
<b>Size #20 HD Contacts</b> 800-053 Phantom Cable Cordset	-C Rec. with Male Pin Contacts	C Rec. with Male Pin Contacts	<b>Size #20 HD Contacts</b> 0 #20 AWG	ZNU Aluminum / Zinc-Nickel with Black Chromate	Consult Factory for Combo Arr.	N No Covers Supplied	See page C-3			
<b>Size #16 Contacts</b> 800-054 Phantom Cable Cordset	-D Rec. with Female Socket Contacts	D Rec. with Female Socket Contacts	2 #22 AWG	MT Aluminum / Nickel-PTFE						
<b>Size #12 Contacts</b> 800-055 Phantom Cable Cordset		N No Connector (Single-Ended)	6 #16 AWG 8 #18 AWG	Z1 Stainless Steel / Passivated						



## NOTES

1. Double-ended cordsets are wired pin #1 to pin #1, #2 to #2, and so on.
2. Wires are silver-coated stranded copper with TPE insulation, 600V, UL VW-1 rated.
3. Wires are white with color stripe per MIL-STD-681. Wire #1 is WHT/BLK, wire #2 is WHT/BRN, etc.

Dimensions in Inches (millimeters) are subject to change without notice.

SERIES 80

# MIGHTY MOUSE

Series 801 double start stub ACME thread, crimp rear-release contacts



**G**lenair series 801 Mighty Mouse Connectors are ideally suited for use in applications such as military air frames, tactical ground weaponry and dismounted soldier applications. These connectors feature double-start ACME threads with anti-decoupling spring or ratchet and provide faster mating requiring only 1½ turns to fully engage mate. Every connector incorporates crimp rear-release contacts and are available with integral band platform or with accessory threads for attachment of backshells or strain reliefs. Contact arrangements available from 1 up to 130 and are available with printed circuit board contacts.

**G**lenair®

Glenair, Inc.  
1211 Air Way  
Glendale, CA 91201-2497  
818-247-6000  
sales@glenair.com  
www.glenair.com



# Series 801 Mighty Mouse Double-Start ACME Thread Table of Contents and Introduction



## PRODUCT SELECTION GUIDE

	<p><b>Series 801 Plugs</b> These connectors are supplied with crimp contacts. Available as in-line or panel mount versions. Plugs feature integral band platform or choose accessory threads for attachment of backshells or strain reliefs.</p>	<b>Page D-9</b>
	<p><b>Series 801 Ratcheting Cobra Style Plugs</b> These connectors feature an integrated backshell equipped with a removable rear cover and gasket providing an easy path to installing the supplied crimp contacts.</p>	<b>Page D-11</b>
	<p><b>Series 801 Crimp Receptacles</b> Jam nut, square flange and in-line versions. Integral shield termination platform or accessory threads. Contacts are crimp-type, and are packaged with the connector.</p>	<b>Page D-15</b>
	<p><b>Series 801 Receptacles With Solder Cup or PCB Termination</b> These panel mount connectors feature non-removeable contacts. Choose printed circuit terminals solder cup contacts. Connectors are potted with epoxy for general purpose applications, or choose silicone-sealed, leak-tested versions for 1 meter water immersion.</p>	<b>Page D-20</b>
	<p><b>Series 801 Right Angle PCB Receptacles</b> Supplied with factory-installed, non-removable PC tail contacts for attachment to rigid boards or flex circuits. Epoxy-sealed, stainless steel threaded inserts.</p>	<b>Page D-23</b>
	<p><b>Series 801 Square Flange Receptacles</b> Series 801 Backpotted Receptacle features a choice of 304L stainless steel or aluminum alloy shells, fused vitreous glass insulators and gold plated copper alloy non-removeable contacts.</p>	<b>Page D-28</b>
	<p><b>Series 801 Hermetic Receptacles</b> These stainless steel, glass-sealed connectors are available with solder cup or PC tail contacts. Choose jam nut, square flange or solder mount versions. Contacts are gold plated iron alloy. 100% tested to meet <math>1 \times 10^{-7}</math> cc/sec helium leakage.</p>	<b>Page D-30</b>
	<p><b>Series 801 Bulkhead Feed-Thru Receptacle Connector</b> Jam Nut mount, shell sizes 5 to 21. This connector mates with all quick coupling high density plug connectors with the same polarization and opposite contact genders (801-001, 801-002, 801-007, and 801-008).</p>	<b>Page D-34</b>
	<p><b>Series 801 Sav-Con® Connector Savers</b> Protect expensive test equipment and cables with Glenair Sav-Con® connector savers. These plug/receptacle adapters feature non-removeable contacts and a ratcheting coupling mechanism to prevent loosening under vibration.</p>	<b>Page D-36</b>
	<p><b>Series 801 Cordsets</b> Specify overmolded cordsets for optimum convenience and performance. Low smoke/zero halogen polyurethane jackets provide excellent all-weather cable protection.</p>	<b>Page D-38</b>



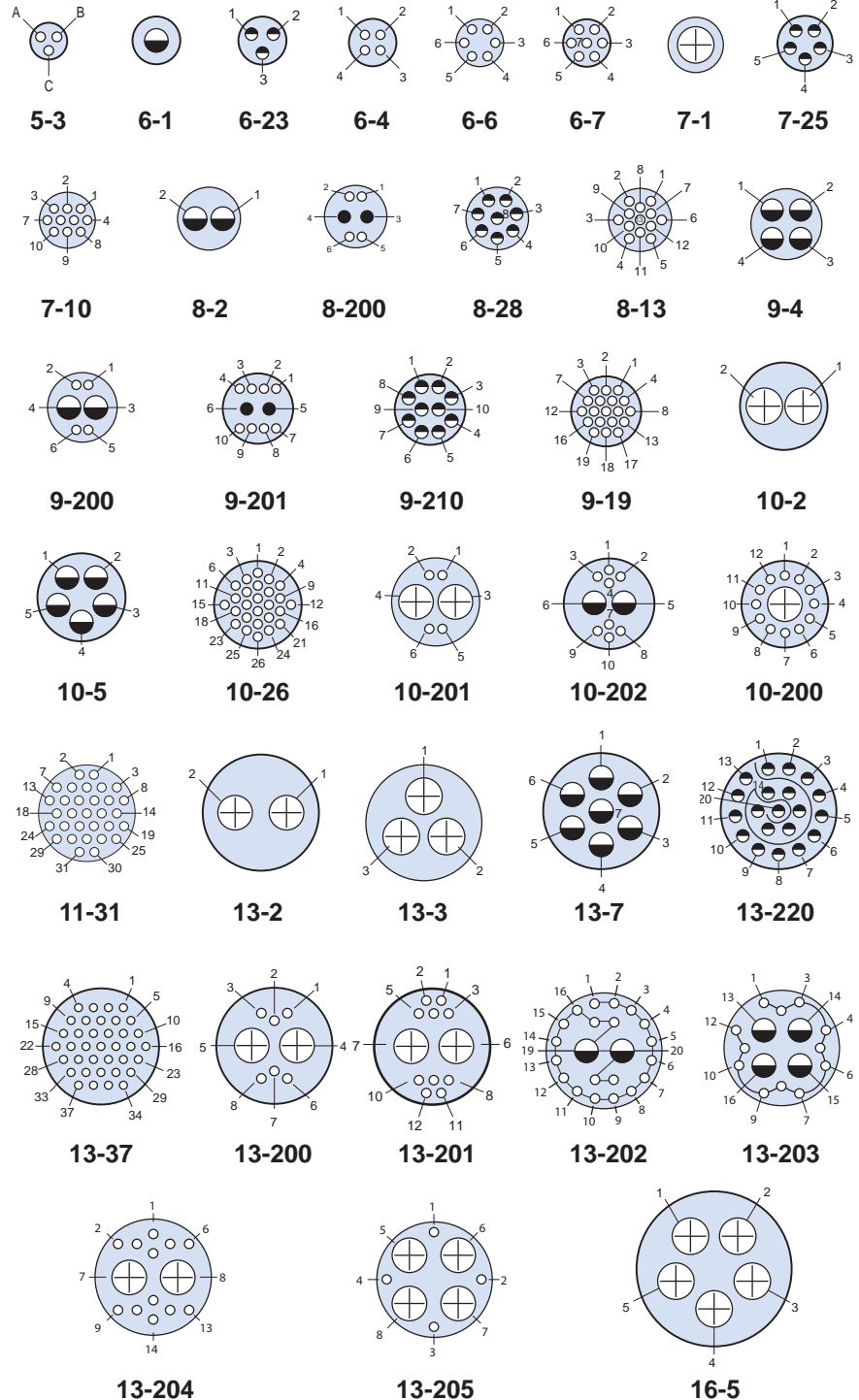
Dimensions in Inches (millimeters) are subject to change without notice.



# Series 801 Mighty Mouse Double-Start ACME Thread Contact Arrangements

Contact Arr.	No. of Contacts					
	#23	#20	#20HD	#16	#12*	#8
5-3	3					
6-1				1		
6-23			3			
6-4	4					
6-6	6					
6-7	7					
7-1					1	
7-25			5			
7-10	10					
8-2				2		
8-200	4	2				
8-28			8			
8-13	13					
9-4				4		
9-200	4			2		
9-201	8	2				
9-210			10			
9-19	19					
10-2					2	
10-5				5		
10-26	26					
10-200	12				1	
10-201	4				2	
10-202	8			2		
11-31	31					
13-2					2	
13-3					3	
13-7				7		
13-220			20			
13-37	37					
13-200	6				2	
13-201	10				2	
13-202	20			2		
13-203	12			4		
13-204	12				2	
13-205	4				4	
16-5					5	

## Mating Face View of Pin Connector (socket connector numbers are reversed)



\*All arrangements with #12 contacts available with keyed Twinax contacts. Use mode code -688

### Contact Legend

#23 ◯ #20HD ◯ #20 ● #16 ◐ #12 ⊕

Dimensions in Inches (millimeters) are subject to change without notice.

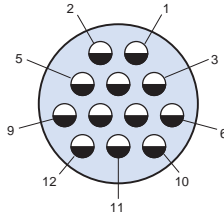
# Series 801 Mighty Mouse Double-Start ACME Thread Contact Arrangements



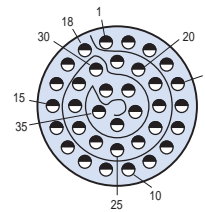
Series 801

Contact Arrangements						
Contact Arr.	No. of Contacts					
	#23	#20	#20HD	#16	#12*	#8
16-12				12		
16-235			35			
16-55	55					
16-204	40			2		
16-205	32			4		
16-206	34				2	
16-207	20				4	
16-208	32					1
17-7					7	
17-14				14		
17-241			41			
17-85	85					
17-203	40			4		
17-204	28				4	
17-205	40					1

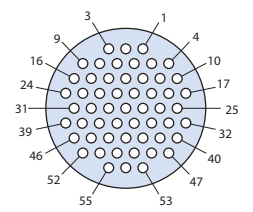
## Mating Face View of Pin Connector (socket connector numbers are reversed)



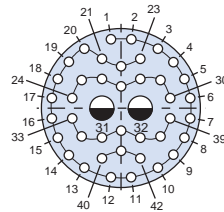
16-12



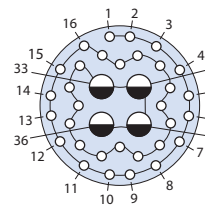
16-235



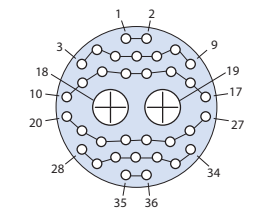
16-55



16-204



16-205



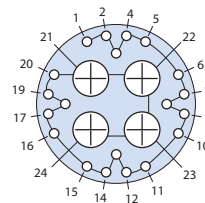
16-206

\*All arrangements with #12 contacts available with keyed Twinax contacts. Use mode code -688

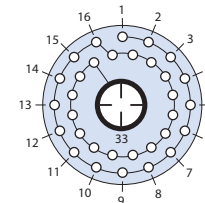
### Contact Legend

#23° #20HD° #20● #16● #12⊕

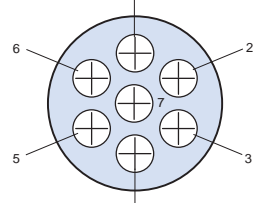
Plug Key Positions		
	A°	B°
A	150°	210°
B	75°	210°
C	95°	230°
D	140°	275°
E	75°	275°
F	95°	210°



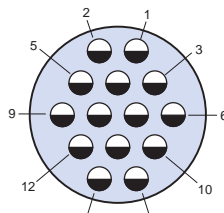
16-207



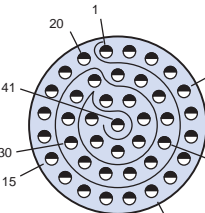
16-208



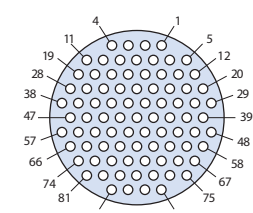
17-7



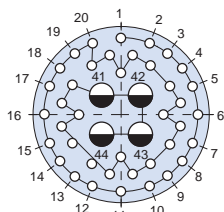
17-14



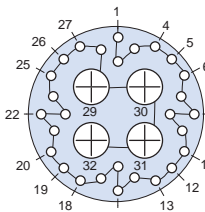
17-241



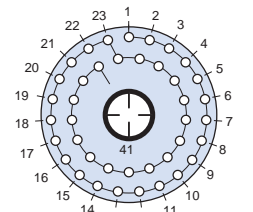
17-85



17-203



17-204



17-205

Dimensions in Inches (millimeters) are subject to change without notice.





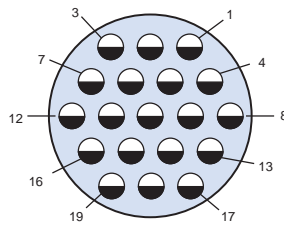
# Series 801 Mighty Mouse Double-Start ACME Thread General Information

Contact Arrangements						
Contact Arr.	No. of Contacts					
	#23	#20	#20HD	#16	#12*	#8
19-19				19		
19-201	44					2
19-202	23					4
19-255			55			
19-100	100					
21-12					12	
21-200	28					4
21-22				22		
21-269			69			
21-130	130					

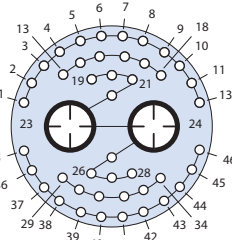
\*All arrangements with #12 contacts available with keyed Twinax contacts. Use mode code -688

### Contact Legend

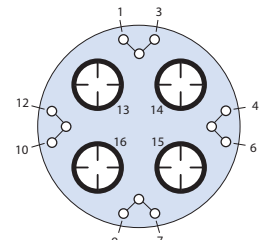
#23 ◯ #20HD ◯ #20 ● #16 ◐ #12 ⊕



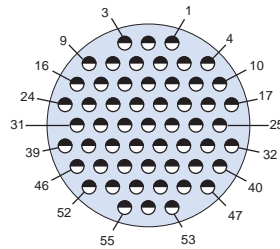
19-19



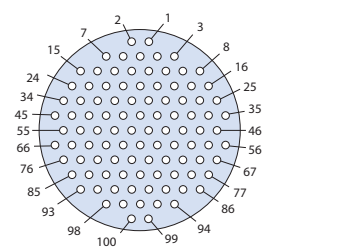
19-201



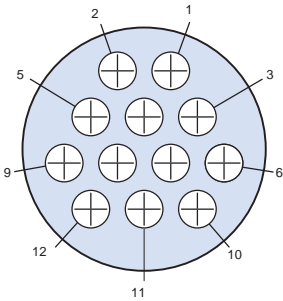
19-202



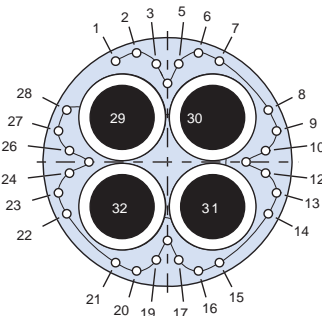
19-255



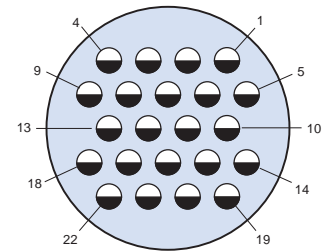
19-100



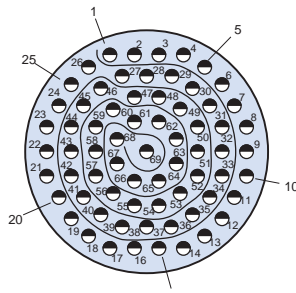
21-12



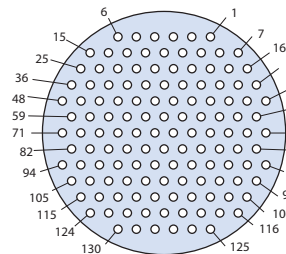
21-200



21-22



21-269



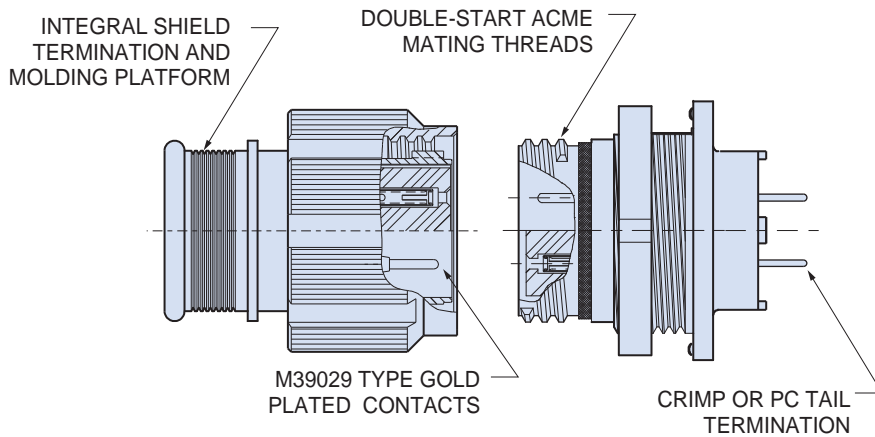
21-130

Dimensions in Inches (millimeters) are subject to change without notice.

# Series 801 Mighty Mouse Double-Start ACME Thread General Information



Series 801



- Double-Start ACME Thread with anti-decoupling spring or ratchet
- Crimp Rear Release Contacts
- integral Band Platform
- Available with Size #12, #16, #20, #20HD and #23 Contacts
- Environmentally Sealed

## Glenair's Series 801 Mighty Mouse Offers Mil-Spec Performance in a Lightweight, Ultraminiature Package



The 801 Series Mighty Mouse is ideal for use in high-density packaging applications where traditional military circular connectors are too large or too heavy. The double-start threads provide full mating in 1½ turns, and the plug features an anti-decoupling spring for vibration resistance. The unique integral molding/band platform allows direct shield attachment and cable overmolding. Receptacles are available with printed circuit board contacts. Plugs have anti-decoupling wave spring, or specify ratchet mechanism for added security.



Specifications	
Current Rating	#23-5 A, #20HD-7.5 A, #16-13 A, #12-23 A
Dielectric Withstanding Voltage	#23-750 VAC, #20HD-1000 VAC, #12 and #16-1800 VAC
Insulation Resistance	5000 megohms minimum
Operating Temperature	-65° C. to +175° C.
Shock	300 g.
Vibration	37 g.
Shielding Effectiveness	55 dB minimum from 100MHz to 1000MHz.
Durability	2000 mating cycles
See Series 80 General Information for complete performance specs.	

Materials and Finishes	
Shells, Jam Nuts	Aluminum alloy or stainless steel
Contacts	Copper alloy, 50 µInch gold plated
Insulators	Liquid crystal polymer (LCP)
Contact Retention Clip	Beryllium copper alloy
Interfacial Seal, O-rings, Wire Sealing Grommet	Fluorosilicone rubber
See Series 80 General Information for complete material and finish specs.	

Dimensions in Inches (millimeters) are subject to change without notice.



## Series 801 Mighty Mouse Double-Start ACME Thread Connector Weight and Size Comparison



Series 801

D38999

### Series 801 Connectors Offer Up To 71% Weight Savings and 52% Size Reduction When Compared to D38999 Series III Connectors.

The Comparison Tables on this page show the actual weight and size reductions that can be achieved by using Glenair Series 801 connectors instead of MIL-DTL-38999 Series III.

#### Weight Comparison: Series 801 Vs. D38999 Series III

Series 801 Layout	Number of Contacts	D38999 Layout	Number of Contacts	Series 801	D38999 Aluminum	% Weight Savings	D38999 Composite	% Weight Savings
5-3	3	9-98	3	7.8	27.2	71%	21.7	64%
6-7	7	9-35	6	9.5	25.6	63%	19.9	52%
9-19	19	13-35	22	18.0	45.9	61%	38.5	53%
13-37	37	15-35	37	32.5	65.3	50%	57.4	43%
16-55	55	17-35	55	47.1	78.5	40%	65.6	28%
17-85	85	21-35	79	51.3	112.4	54%	99.1	48%
21-130	130	25-35	128	75.6	159.3	53%	136.6	45%

Weights shown include contacts and represent a mated pair of plug and jam nut receptacle. Weights are in grams. D38999 weights are based on published data from a leading manufacturer.

#### Size Comparison: Series 801 Vs. D38999 Series III

Series 801 Layout	Number of Contacts	D38999 Layout	Number of Contacts	Cable Plug Diameter					Jam Nut Receptacle Diameter				
				Series 801		D38999		% Reduction	Series 801		D38999		% Reduction
				In.	mm.	In.	mm.		In.	mm.	In.	mm.	
5-3	3	9-98	3	.540	13.72	.859	21.82	37%	.575	14.61	1.204	30.58	52%
6-7	7	9-35	6	.600	15.24	.859	21.82	30%	.635	16.13	1.204	30.58	47%
9-19	19	13-35	22	.810	20.57	1.156	29.36	30%	.830	21.08	1.516	38.51	45%
13-37	37	15-35	37	1.050	26.67	1.281	32.54	18%	1.078	27.38	1.641	41.68	34%
16-55	55	17-35	55	1.240	31.50	1.406	35.71	12%	1.264	32.11	1.766	44.86	28%
17-85	85	21-35	79	1.300	33.02	1.641	41.68	21%	1.325	33.66	2.078	52.78	36%
21-130	130	25-35	128	1.550	39.37	1.890	48.01	18%	1.625	41.28	2.323	59.00	30%

Dimensions in Inches (millimeters) are subject to change without notice.

# Series 801 Mighty Mouse Double-Start ACME Thread Connector Weights



Series 801

Series 801 Connector Weights					
Contact Arr.	Cable Plug	J/N Recep Crimp	J/N Recep PCB	Sq. Flange Recep Crimp	Sq. Flange Recep PCB
5-3P	4.8	3.7	4	2.2	2.4
5-3S	5	3.9	4.1	2.2	2.6
6-1P	6.2	4.7	5.1	3	3.2
6-1S	6.5	5.1	5.4	3.3	3.5
6-4P	6.2	4.7	5.1	3	3.2
6-4S	6.4	5	5.2	3.1	3.3
6-6P	6.3	4.7	5.1	2.9	3.2
6-6S	6.5	5.1	5.4	3.1	3.5
6-7P	5.9	4.5	5.1	3.2	3.7
6-7S	6.2	4.8	5.2	3.5	3.9
6-23P	6.2	4.8	5.1	3	4
6-23S	6.6	5.2	5.4	3.2	4.3
7-1P	8.6	7.2	7.9	5	5.7
7-1S	9.1	7.7	8.5	5.5	6.3
7-10P	8.4	6.9	7.7	4.7	5.5
7-10S	8.8	7.4	7.9	5.2	5.7
7-25P	7.9	7.1	7.8	4.8	5.6
7-25S	8.3	7.7	8.3	5.5	6.1
8-1P	12.6	11.3	12.4	9	10.3
8-1S	15.1	13.6	15	11.4	13
8-2P	9.8	8.5	9.6	6.2	7.5
8-2S	10.6	9.2	10.3	6.9	8.3
8-28P	10	8.7	10.2	6.4	8.1
8-28S	11.1	9.7	10.9	7.4	8.9
8-13P	9.1	7.8	8.9	5.5	6.8
8-13S	9.8	8.4	9.4	6.2	7.2
8-200P	10.1	8.8	9.9	6.5	7.8
8-200S	10.8	9.5	10.6	7.2	8.5
9-4P	12	9.6	11.8	8.4	9.5
9-4S	13	11.7	12.8	9.4	10.5
9-19P	11.1	8.7	10.1	6.4	7.8
9-19S	12	9.6	10.7	7.3	8.4
9-200P	11.4	10.1	11.2	7.8	8.9
9-200S	12.5	11.2	12.3	8.9	10
9-201P	10.6	9.2	10.3	7.3	8.4
9-201S	12.7	11.3	12.4	9	10.1
9-210P	11.8	9.4	11.3	8.2	9
9-210S	13	11.7	12.5	9.4	10.2
10-2P	17.1	13.6	13.9	15.2	13.1
10-2S	18.4	14.9	15.5	16.5	14.7

Series 801 Connector Weights					
Contact Arr.	Cable Plug	J/N Recep Crimp	J/N Recep PCB	Sq. Flange Recep Crimp	Sq. Flange Recep PCB
10-5P	17.4	13.9	14.9	15.5	14.1
10-5S	18.8	15.3	16.3	16.9	15.5
10-26P	15.6	12.1	13.1	13.8	9.6
10-26S	16.8	13.3	13.8	18.4	10.1
10-200P	16.5	13	14	14.6	11
10-200S	17.9	14.4	15.4	16.1	12.4
10-201P	16.8	13.3	14.3	15	11.3
10-201S	18.4	14.9	15.8	16.5	12.9
10-202P	16.4	12.9	13.9	14.5	10.9
10-202S	17.9	14.4	15.4	16.1	12.4
11-31P	19.2	15	16.9	16.6	16.1
11-31S	21.5	16.9	18.3	18.5	17.5
13-2P	20.8	18.9	18.9	18.9	16.6
13-2S	22.4	20.6	20.6	20.6	18.3
13-3P	21.8	19.9	19.9	19.9	17.6
13-3S	23.5	21.7	21.7	21.7	19.4
13-7P	22	20.1	20.1	20.1	17.8
13-7S	24.6	22.8	22.8	22.8	20.5
13-37P	20.2	18.4	18.4	18.4	16.1
13-37S	21.9	19.4	19.4	19.4	17.1
13-200P	20.9	19	19	19	16.7
13-200S	23.2	21.3	21.3	21.3	19
13-201P	21	19.1	19.1	19.1	16.8
13-201S	23.4	21.6	21.6	21.6	19.3
13-202P	20.9	19	20.3	19	18
13-202S	22.8	21	21.9	21	19
13-203P	21.2	19.3	20.8	19.3	18.5
13-203S	23.1	21.3	22.3	21.3	20
13-204P	21.3	19.4	20.6	19.4	18.3
13-204S	23.1	21.3	22.3	21.3	20
13-205P	22.4	20.5	22.4	20.5	20.1
13-205S	24.2	22.4	24.4	22.4	22.1
13-220P	21.6	19.7	21.2	19.7	18.9
13-220S	23.9	22.1	23.1	22.1	20.8
16-2P	34.7	28.2	29.1	31.2	26.5
16-2S	40.7	34.2	35.6	37.3	33
16-5P	31.4	24.9	27.9	27.9	25.3
16-5S	34.3	27.8	30.9	30.9	28.3
16-12P	32.1	25.6	28.7	28.7	26.1
16-12S	35.8	29.3	32.3	32.3	29.7

Maximum connector weight in grams.

Dimensions in Inches (millimeters) are subject to change without notice.





## Series 801 Mighty Mouse Double-Start ACME Thread Connector Weights and Jam Nut Recommended Cutout Dimensions

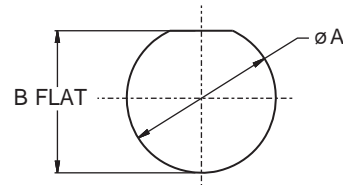
D

Series 801 Connector Weights					
Contact Arr.	Cable Plug	J/N Recep Crimp	J/N Recep PCB	Sq. Flange Recep Crimp	Sq. Flange Recep PCB
16-204P	30.1	23.6	27.7	26.6	32.4
16-204S	33.5	27	30.2	30.1	35.5
16-205P	30.4	23.9	28.2	26.9	32.9
16-205S	33.8	26.4	30.6	30.4	35.9
16-206P	30.6	24.1	28.3	27.1	33
16-206S	33.9	26.5	30.9	30.5	36.2
16-207P	31.4	24.9	29.2	27.9	33.9
16-207S	34.7	27.3	32.1	31.3	37.4
16-208P	32.6	26.1	29.4	29.1	34.1
16-208S	37.5	30.1	33.8	34.1	39.1
16-235P	31.7	25.2	29.7	28.2	34.4
16-235S	35.7	28.3	32.8	32.3	38.1
16-55P	29.2	22.7	26.7	26.7	24.1
16-55S	32.1	25.6	28.7	28.7	26.1
17-3P	38.2	35.1	34.9	37.7	30.3
17-3S	46.4	43.3	43.8	46	39.1
17-7P	32.8	29.7	32.3	32.3	27.7
17-7S	36.3	33.2	35.9	35.9	31.2
17-14P	35.9	32.8	35.4	35.4	30.8
17-14S	35.5	32.5	35.1	35.1	30.5
17-203P	30.7	27.6	30.8	30.2	36.4
17-203S	34.8	31.7	33.6	34.4	39.9
17-204P	31.3	28.2	31.8	30.8	36.9
17-204S	35.7	32.6	35.1	35.3	41.4
17-205P	32.9	29.8	32	32.4	37.1
17-205S	38.5	35.4	36.8	38.1	43.1
17-241P	32.3	29.2	32.8	31.8	37.9
17-241S	37.1	34	36.4	36.7	42.7
17-85P	30.9	25.5	31.9	31.9	27.8
17-85S	34.1	28.8	33.7	33.7	29
19-4P	44.8	41.7	42.3	44.3	47.4
19-4S	54.7	51.6	53.3	54.3	59.6
19-19P	37.3	34.2	39.9	36.8	45
19-19S	41.1	38	42.8	40.7	49.2
19-201P	39.7	36.6	40	39.2	45.1
19-201S	47	43.9	46.9	46.6	53.2
19-202P	45.3	42.2	44	44.8	55.7
19-202S	55.4	52.3	55	55	62.5
19-255P	37.1	34	39.6	36.6	44.7
19-255S	42.4	39.3	43.5	42	49.8
19-100P	35	31.9	39.3	36.8	44.4
19-100S	40.1	37	42.1	40.7	48.4
21-5P	47.3	43.3	41.7	20.5	38.4
21-5S	60.2	56.2	55.7	24.9	52.4

Series 801 Connector Weights					
Contact Arr.	Cable Plug	J/N Recep Crimp	J/N Recep PCB	Sq. Flange Recep Crimp	Sq. Flange Recep PCB
21-12P	38.5	34.5	37.8	29	34.5
21-12S	43.6	39.6	42.9	34.1	39.6
21-22P	41	37.1	40.4	31.6	37.1
21-22S	48	44	47.3	38.5	44
21-200P	44.9	40.9	41.3	35.4	38
21-200S	56.7	52.7	53.2	47.2	49.9
21-269P	37.6	33.6	38.3	28.1	35
21-269S	44.8	40.8	43.4	35.3	40.1
21-130P	36.2	32.2	35.5	26.7	32.2
21-130S	43.3	39.4	42.7	33.9	39.4

Maximum connector weight in grams.

### Series 801 Recommended Panel Cutout Dimensions



Shell Size	$\varnothing A$		B Flat	
	In.	mm	In.	mm
5	.385	9.78	.358 .354	9.09 8.99
6	.448	11.38	.418 .414	10.62 10.52
7	.573	14.55	.544 .540	13.82 13.72
8	.573	14.55	.544 .540	13.82 13.72
9	.635	16.13	.604 .600	15.34 15.24
10	.698	17.73	.668 .664	16.97 16.87
11	.760	19.30	.728 .724	18.49 18.39
13	.885	22.48	.853 .849	21.67 21.56
16	1.075	27.31	1.030 1.026	26.16 26.06
17	1.135	28.83	1.104 1.100	28.04 27.94
19	1.260	32.00	1.235 1.231	31.37 31.27
21	1.385	35.18	1.355 1.351	34.42 34.32

Dimensions in Inches (millimeters) are subject to change without notice.



# Series 801 Mighty Mouse Double-Start ACME Thread Plug 801-007 and 801-008 Ordering Information



Series 801



**Series 801 Mighty Mouse Connector** features a double-start modified stub ACME mating thread for improved protection against cross-mating and thread damage. Connector shells are machined aluminum or stainless steel. Supplied with crimp contacts, packaged separately. Terminate contacts with standard M22520 tools. Metal clips inside the connector body lock contact into place. Contacts are removable. Fluorosilicone seals and rear grommet protect connector from water ingress. Terminate cable shield directly to connector body with Band-Master™ ATS strap, or choose rear accessory thread to attach optional cable clamp or backshell. Available in shell sizes 5 through 21 in 67 contact arrangements.

How To Order										
Sample Part Number	801-007 -16 M 9-4 P A									
Series (See Table I)	801-007 = With Banding Platform 801-008 = With Rear Accessory Thread									
Shell Style	-16 = Plug with Anti-Decoupling Spring -26 = Self-Locking Plug with Ratchet Mechanism									
Shell Material and Finish	C = Aluminum / Black Anodize (Non-Conductive) RoHS Compliant M = Aluminum / Electroless Nickel RoHS Compliant NF = Aluminum / Cadmium with Olive Drab Chromate ZN = Aluminum / Zinc-Nickel with Olive Drab Chromate ZNU = Aluminum / Zinc-Nickel with Black Chromate MT = Aluminum / Nickel-PTFE RoHS Compliant Z1 = Stainless Steel / Passivated RoHS Compliant									
Shell Size - Insert Arrangement	See Insert Arrangements page D-2									
Contact Type	<table border="0"> <tr> <td><b>Connector supplied with crimp contacts</b></td> <td><b>Connector supplied without contacts</b></td> <td><b>Connector supplied with 30 AWG crimp contacts</b></td> </tr> <tr> <td>P = Pin</td> <td>A = Pin Connector</td> <td>G = #23 Pin</td> </tr> <tr> <td>S = Socket</td> <td>B = Socket Connector</td> <td>H = #23 Socket</td> </tr> </table> <p>Connectors with contacts are supplied with signal and/or power crimp contacts. These contacts are not installed. Coaxial contacts and non-standard signal contacts are ordered separately.</p>	<b>Connector supplied with crimp contacts</b>	<b>Connector supplied without contacts</b>	<b>Connector supplied with 30 AWG crimp contacts</b>	P = Pin	A = Pin Connector	G = #23 Pin	S = Socket	B = Socket Connector	H = #23 Socket
<b>Connector supplied with crimp contacts</b>	<b>Connector supplied without contacts</b>	<b>Connector supplied with 30 AWG crimp contacts</b>								
P = Pin	A = Pin Connector	G = #23 Pin								
S = Socket	B = Socket Connector	H = #23 Socket								
Shell Key Positions (See Table II)	A = Normal B = Pos. B C = Pos. C D = Pos. D E = Pos. F F = Pos. F									

D

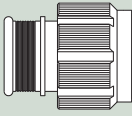
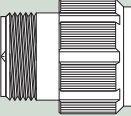
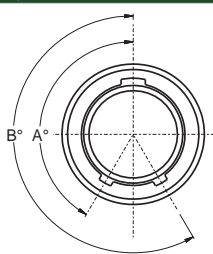
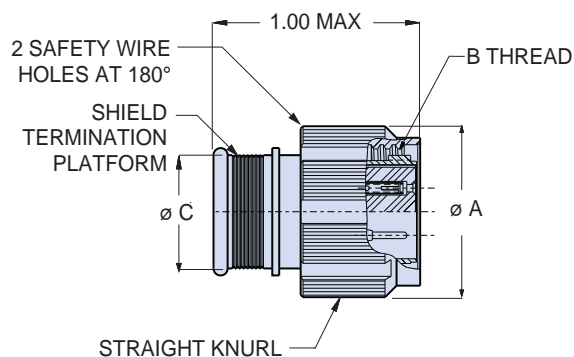
Table I: Series	
	
801-007 Banding Platform	801-008 Rear Accessory Thread

Table II: Key Positions			
	A°	B°	
A	150°	210°	
B	75°	210°	
C	95°	230°	
D	140°	275°	
E	75°	275°	
F	95°	210°	

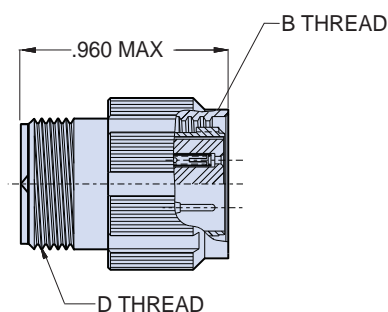
Dimensions in Inches (millimeters) are subject to change without notice.

# Series 801 Mighty Mouse Double-Start ACME Thread Plug 801-007 and 801-008 Dimensions

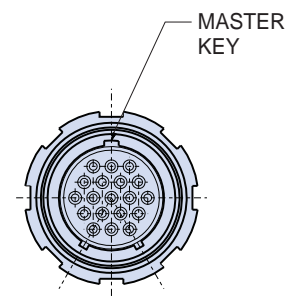
## Plug connector



**Integral Band Platform**  
**801-007**



**Accessory Thread**  
**801-008**



FACE VIEW OF PLUG AS  
VIEWED FROM ENGAGING END.  
SOCKET SIZE 9 SHOWN

D

### Dimensions

Shell Size	Ø A Style 16		Ø A Style 26		B Thread	Ø C		D Thread
	In.	mm.	In.	mm.		In.	mm.	
5	0.54	13.72	0.65	16.51	.3125-.05P-.1L-DS-2B	.245	6.22	.2500-32 UNEF-2A
6	0.60	15.24	0.69	17.53	.3750-.05P-.1L-DS-2B	.290	7.37	.3125-32 UNEF-2A
7	0.69	17.53	0.79	20.07	.4375-.05P-.1L-DS-2B	.390	9.91	.4375-28 UNEF-2A
8	0.75	19.05	0.83	21.08	.5000-.05P-.1L-DS-2B	.445	11.30	.5000-28 UNEF-2A
9	0.81	20.57	0.92	23.37	.5625-.05P-.1L-DS-2B	.500	12.70	.5625-24 UNEF-2A
10	0.88	22.35	0.98	24.89	.6250-.05P-.1L-DS-2B	.560	14.22	.6250-24 UNEF-2A
11	0.92	23.37	1.02	25.91	.6875-.05P-.1L-DS-2B	.605	15.37	.6875-24 UNEF-2A
13	1.05	26.67	1.10	27.94	.8125-.1P-.2L-DS-2B	.650	16.51	.6875-24 UNEF-2A
16	1.24	31.50	1.34	34.04	1.0000-.1P-.2L-DS-2B	.805	20.45	.9375-24 UNEF-2A
17	1.30	33.02	1.45	36.83	1.0625-.1P-.2L-DS-2B	.850	21.59	.9375-24 UNEF-2A
19	1.40	35.56	1.50	38.10	1.1875-.1P-.2L-DS-2B	1.003	25.48	1.0625-24 UNEF-2A
21	1.55	39.37	1.65	41.91	1.3125-.1P-.2L-DS-2B	1.110	28.19	1.1875-24 UNEF-2A

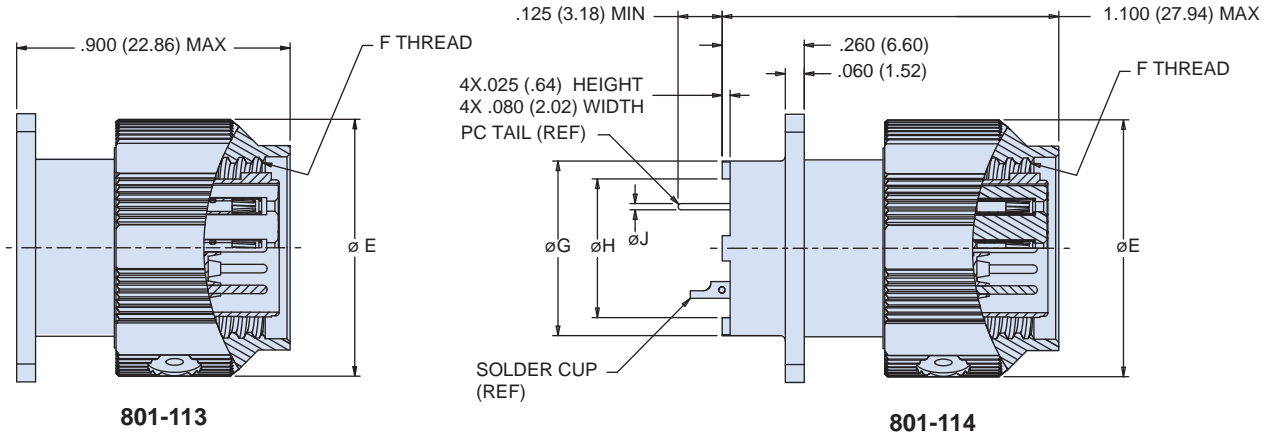
Dimensions in Inches (millimeters) are subject to change without notice.





# Series 801 Mighty Mouse Double-Start ACME Thread Panel Plug 801-113 and 801-114 Dimensions

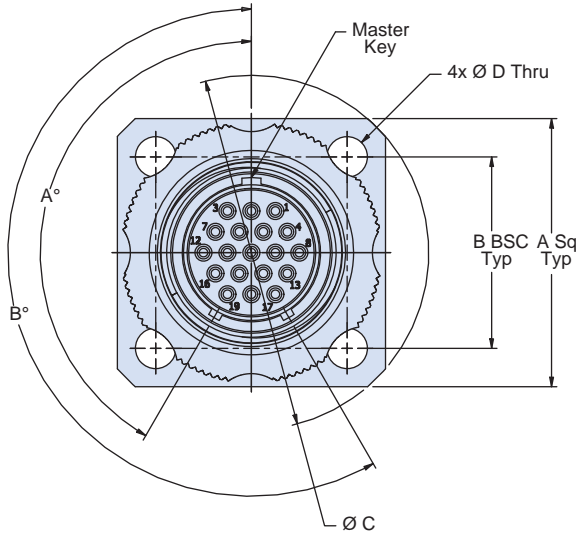
## Panel plug - shell size 26



801-113

801-114

D



PC Tails Dimensions	
Contact Size	Ø J
#23	.018/.022
#16	.060/.064
#12	.092/.096

Size	Dimensions															
	A Sq		B Bsc		Ø C		Ø D		Ø E		F Thread	Ø G		Ø H		
	in	mm	in	mm	in	mm	in	mm	in	mm		in	mm	in	mm	
5	0.590	14.99	0.423	10.74	0.750	19.05	0.093	2.36	0.65	16.51	.3125-.05P-.1L-2B	0.244	6.20	0.175	4.45	
6	0.590	14.99	0.423	10.74	0.750	19.05	0.093	2.36	0.65	16.51	.3750-.05P-.1L-2B	0.330	8.38	0.238	6.05	
7	0.650	16.51	0.483	12.27	0.850	21.59	0.093	2.36	0.69	17.53	.4375-.05P-.1L-2B	0.432	10.97	0.327	8.31	
8	0.712	18.08	0.545	13.84	0.938	23.83	0.093	2.36	0.79	20.07	.5000-.05P-.1L-2B	0.493	12.52	0.388	9.86	
9	0.850	21.59	0.607	15.42	1.125	28.58	0.128	3.25	0.83	21.08	.5625-.05P-.1L-2B	0.551	14.00	0.446	11.33	
10	0.890	22.61	0.670	17.02	1.188	30.18	0.128	3.25	0.92	23.37	.6250-.05P-.1L-2B	0.620	15.75	0.516	13.11	
11	0.935	23.75	0.715	18.16	1.250	31.75	0.128	3.25	--	--	.6875-.05P-.1L-2B	0.662	16.81	0.557	14.15	
13	1.030	26.16	0.812	20.62	1.375	34.93	0.128	3.25	1.10	27.94	.8125-.1P-.2L-2B	0.703	17.86	0.599	15.21	
16	1.219	30.96	0.981	24.92	1.625	41.28	0.128	3.25	1.34	34.04	1.0000-.1P-.2L-2B	0.863	21.92	0.759	19.28	
17	1.280	32.51	1.060	26.92	1.700	43.18	0.128	3.25	1.45	36.83	1.0625-.1P-.2L-2B	0.912	23.16	0.808	20.52	
19	1.432	36.37	1.191	30.25	1.900	48.26	0.128	3.25	1.50	38.10	1.1875-.1P-.2L-2B	1.018	25.86	0.910	23.11	
21	1.565	39.75	1.322	33.58	2.100	53.34	0.128	3.25	1.65	41.91	1.3125-.1P-.2L-2B	1.170	29.72	1.061	26.95	

Dimensions in Inches (millimeters) are subject to change without notice.

# Series 801 Mighty Mouse Double-Start ACME Thread Cobra™ Plug 801-069 Ordering Information

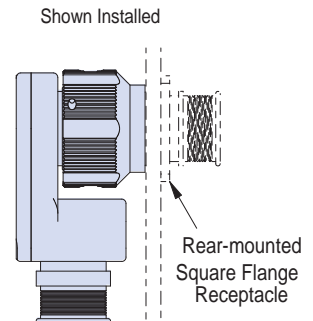
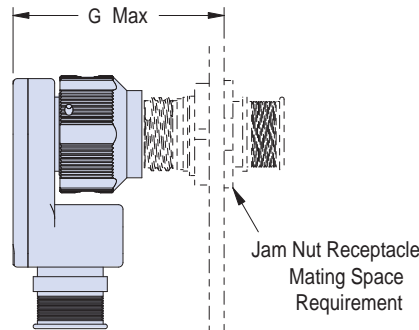
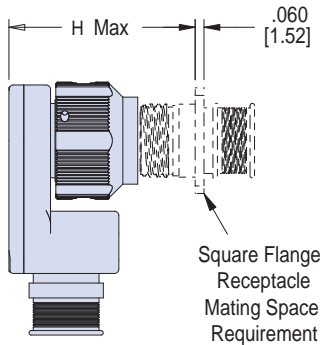


Series 801



**Series 801 Mighty Mouse Cobra Connector** assemblies reduce clearance requirements without compromising ruggedness or shielding performance. Features a double-start self-locking plug with ratchet mechanism for improved protection against cross-mating and thread damage. Each Cobra assembly is equipped with a removable rear cover and gasket for easy crimp or solder contact termination of the connector. Both pin and socket versions are available for both crimp and solder terminated versions. Integrated low-profile backshell is equipped with an EMI/RFI shield termination platform and a shrink boot lip. The ultra-lightweight assembly may be clocked in eight different angle orientations for additional flexibility in cable routing. Fourteen contact arrangements are available, all with Size #23 contacts from shell size 5 to 21 with 3 to 130 contacts respectively. Connector shells are aluminum alloy or stainless steel.

How To Order							
<b>Sample Part Number</b>	<b>801-069-26 ZNU 8-13 P A 1 05</b>						
<b>Series</b>	801-069-26 = Double-Start Self-Locking Plug with Ratchet Mechanism						
<b>Material and Finish</b>	M = Aluminum / Electroless Nickel RoHS Compliant NF = Aluminum / Cadmium with Olive Drab Chromate ZNU = Aluminum / Zinc-Nickel with Black Chromate MT = Aluminum / Nickel-PTFE RoHS Compliant Z1 = Stainless Steel / Passivated RoHS Compliant						
<b>Shell Size - Insert Arrangement</b>	5-3, 6-4, 6-6, 6-7, 7-10, 8-13, 9-19, 10-25, 11-31, 13-37, 16-55, 17-85, 19-100, 21-130 (See Insert Arrangements page D-2)						
<b>Contact Type</b>	P = Pin, Crimp                      A = Pin, Solder S = Socket, Crimp                  B = Socket, Solder						
<b>Shell Key Positions (See Table II)</b>	A = Normal   B = Pos. B   C = Pos. C   D = Pos. D   E = Pos. F   F = Pos. F						
<b>Cable Exit Direction Code (See Table I)</b>	1, 2, 3, 4, 5, 6, 7, 8						
<b>Cable Entry Size (See Table III)</b>	02, 03, 04, 05, 06, 07, 08, 09, 10, 11, 12, 13, 14, 15, 16, 17						

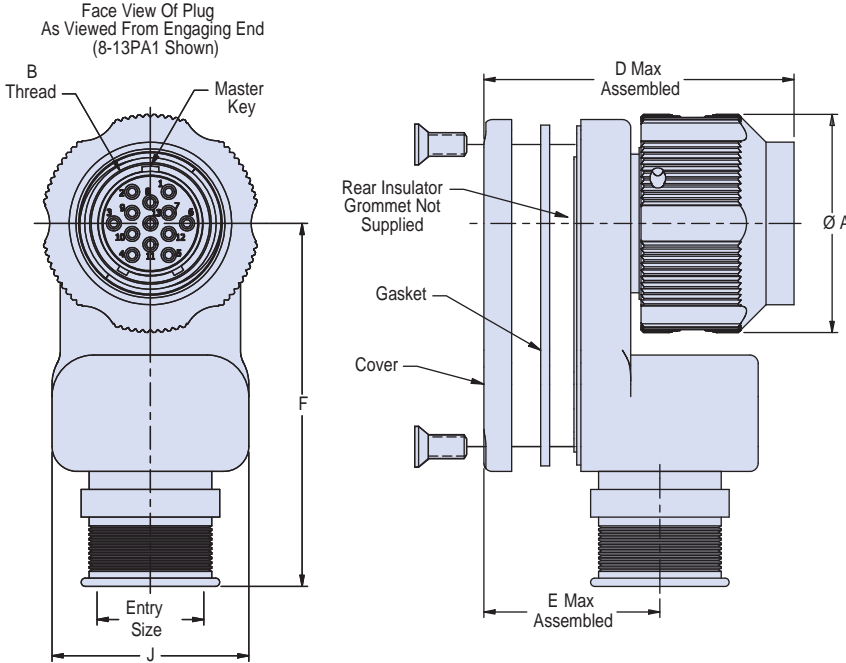


Dimensions in Inches (millimeters) are subject to change without notice.



# Series 801 Mighty Mouse Double-Start ACME Thread Cobra™ Plug 801-069 Dimensions

## Right angle Cobra™ plug



**Table I: Cable Exit Direction**

Cable Exit Direction Code	C°
1	0°
2	45°
3	90°
4	135°
5	180°
6	225°
7	270°
8	315°

Cable Exit Direction (Direction 2 Shown)

D

**Dimensions**

Shell Size	Ø A	B Thread	D Max	E Max	F	G	H	J	Max Entry
5	.65(16.5)	.3125-.05P-.1L-2B	.84 (21.3)	.32 (8.1)	1.21 (30.7)	1.40 (35.6)	1.23 (31.2)	.500 (12.70)	03
6	.65(16.5)	.3750-.05P-.1L-2B	.86 (21.8)	.34 (8.6)	1.24 (31.5)	1.42 (36.1)	1.25 (31.8)	.560 (14.22)	04
7	.69(17.5)	.4375-.05P-.1L-2B	.88 (22.4)	.39 (9.9)	1.28 (32.5)	1.44 (36.6)	1.27 (32.3)	.650 (16.51)	05
8	.79(20.1)	.5000-.05P-.1L-2B	.89 (22.6)	.42 (10.7)	1.31 (33.3)	1.45 (36.8)	1.28 (32.5)	.710 (18.03)	06
9	.83(21.1)	.5625-.05P-.1L-2B	.92 (23.4)	.45 (11.4)	1.34 (34.0)	1.48 (37.6)	1.31 (33.3)	.770 (19.56)	07
10	.92(23.4)	.6250-.05P-.1L-2B	.96 (24.4)	.48 (12.2)	1.37 (34.8)	1.52 (38.6)	1.35 (34.3)	.835 (21.21)	08
11	.98 (24.9)	.6875-.05P-.1L-2B	.99 (25.1)	.50 (12.7)	1.40 (35.6)	1.55(39.4)	1.38 (35.1)	900 (22.86)	09
13	1.10(27.9)	.8125-.1P-.2L-2B	1.13 (28.7)	.52 (13.2)	1.48 (37.6)	1.80 (45.7)	1.63 (41.4)	.950 (24.13)	10
16	1.34(34.0)	1.0000-.1P-.2L-2B	1.21 (30.7)	.58 (14.7)	1.64 (41.7)	1.88 (47.8)	1.71 (43.4)	1.070 (27.18)	12
17	1.45(36.8)	1.0625-.1P-.2L-2B	1.28 (32.5)	.63 (16.0)	1.78 (45.2)	1.92 (48.8)	1.78 (45.2)	1.180 (29.97)	13
19	1.50(38.1)	1.1875-.1P-.2L-2B	1.40 (35.6)	.70 (17.8)	1.89 (48.0)	2.07 (52.6)	1.90 (48.3)	1.300 (33.02)	15
21	1.65(41.9)	1.3125-.1P-.2L-2B	1.51 (38.4)	.76 (19.3)	1.98 (50.3)	2.18 (55.4)	2.01 (51.1)	1.410 (35.81)	17

**Table II: Key Positions**

	A°	B°
A	150°	210°
B	75°	210°
C	95°	230°
D	140°	275°
E	75°	275°
F	95°	210°

**Table III: Cable Entry Size**

Code	Entry Size	Code	Entry Size
02	0.125 (3.18)	10	0.625 (15.88)
03	0.188 (4.78)	11	0.688 (17.48)
04	0.25 (6.35)	12	0.75 (19.05)
05	0.313 (7.95)	13	0.813 (20.65)
06	0.375 (9.53)	14	0.875 (22.23)
07	0.438 (11.13)	15	0.938 (23.83)
08	0.5 (12.70)	16	1.000 (25.40)
09	0.563 (14.30)	17	1.063 (27.00)

Dimensions in Inches (millimeters) are subject to change without notice.

# Series 801 Mighty Mouse Double-Start ACME Thread Receptacle 801-009 and 801-010 Ordering Information



Series 801



**Rear Panel Jam Nut Mount**  
Shell Style 07



**Square Flange Mount**  
Shell Style 02/12/22



**In-Line**  
Shell Style 01

How To Order						
<b>Sample Part Number</b>	<b>801-010</b>	<b>-02</b>	<b>Z1</b>	<b>16-55</b>	<b>S</b>	<b>A</b>
<b>Series (See Table I)</b>	<b>801-009</b> = Receptacle with Banding Platform <b>801-010</b> = Receptacle with Accessory Thread					
<b>Shell Style (See Table III)</b>	<b>-01</b> = In-Line Receptacle for Free-Hanging Cables <b>-02</b> = Thru Hole Square Flange Receptacle for Front or Rear Panel Mounting <b>-12</b> = Square Flange Receptacle for Rear Panel Mounting with "Non-Locking" Clinch Nuts <b>-22</b> = Square Flange Receptacle for Rear Panel Mounting with "Locking" Clinch Nuts <b>-07</b> = Jam Nut Receptacle for Rear Panel Mounting					
<b>Material and Finish</b>	<b>M</b> = Aluminum / Electroless Nickel RoHS Compliant <b>MT</b> = Aluminum / Nickel-PTFE RoHS Compliant <b>NF</b> = Aluminum / Cadmium with Olive Drab Chromate <b>ZNU</b> = Aluminum / Zinc-Nickel with Black Chromate <b>Z1</b> = Stainless Steel / Passivated RoHS Compliant					
<b>Shell Size - Insert Arr</b>	See Insert Arrangements page D-2					
<b>Contact Type</b>	<b>A</b> = Pin Connector, Less Contacts <b>B</b> = Socket Connector, Less Contacts <b>P</b> = Pin, Crimp <b>S</b> = Socket, Crimp <b>G</b> = #23 Pin with 30 AWG Crimp Barrel <b>H</b> = #23 Socket with 30 AWG Crimp Barrel					
<b>Shell Key Positions (See Table II)</b>	<b>A</b> = Normal <b>B</b> = Pos. B <b>C</b> = Pos. C <b>D</b> = Pos. D <b>E</b> = Pos. F <b>F</b> = Pos. F					

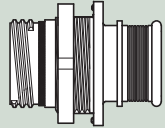
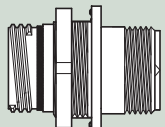
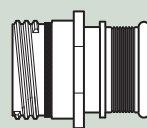
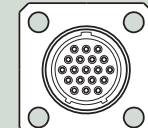
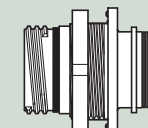
Table I: Series
 <b>800-009</b> Banding Platform
 <b>801-010</b> Rear Accessory Thread

Table II: Key Positions		
	A°	B°
<b>A</b>	150°	210°
<b>B</b>	75°	210°
<b>C</b>	95°	230°
<b>D</b>	140°	275°
<b>E</b>	75°	275°
<b>F</b>	95°	210°

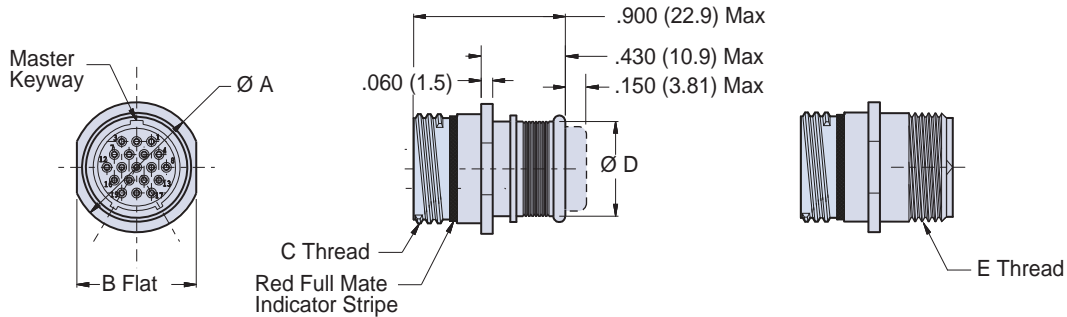
Table III: Shell Style		
 <b>Style -01</b> In-line	 <b>Style -02/-12/-22</b> Square Flange	 <b>Style -07</b> Jam Nut

Dimensions in Inches (millimeters) are subject to change without notice.

# Series 801 Mighty Mouse Double-Start ACME Thread Receptacle

## 801-009-01 and 801-010-01 Dimensions

### In-line receptacle - shell style 01



**Integral Band Platform**  
**801-009-01**

**Accessory Thread**  
**801-010-01**

#### Dimensions

Shell Size	Ø A		B Flat		C Thread	Ø D		E Thread UNEF-2A
	In.	mm.	In.	mm.		In.	mm.	
5	.355	9.02	.325	8.13	.3125-.05P-.1L-DS-2A	.245	6.22	.2500-32
6	.415	10.54	.385	9.78	.3750-.05P-.1L-DS-2A	.290	7.37	.3125-32
7	.480	12.19	.445	11.30	.4375-.05P-.1L-DS-2A	.390	9.91	.4375-28
8	.540	13.72	.510	12.95	.5000-.05P-.1L-DS-2A	.445	11.30	.5000-28
9	.605	15.37	.575	14.61	.5625-.05P-.1L-DS-2A	.500	12.70	.5625-24
10	.665	16.89	.635	16.13	.6250-.05P-.1L-DS-2A	.560	14.22	.6250-24
11	.730	18.54	.700	17.78	.6875-.05P-.1L-DS-2A	.605	15.37	.6875-24
13	.855	21.72	.825	20.96	.8125-.1P-.2L-DS-2A	.650	16.51	.6875-24
16	1.040	26.42	1.010	25.65	1.0000-.1P-.2L-DS-2A	.805	20.45	.9375-20
17	1.110	28.19	1.070	27.18	1.0625-.1P-.2L-DS-2A	.850	21.59	.9375-20
19	1.243	31.57	1.191	30.25	1.1875-.1P-.2L-DS-2A	1.003	25.48	1.0625-18
21	1.375	34.93	1.312	33.32	1.3125-.1P-.2L-DS-2A	1.110	28.19	1.1875-18

Dimensions in Inches (millimeters) are subject to change without notice.

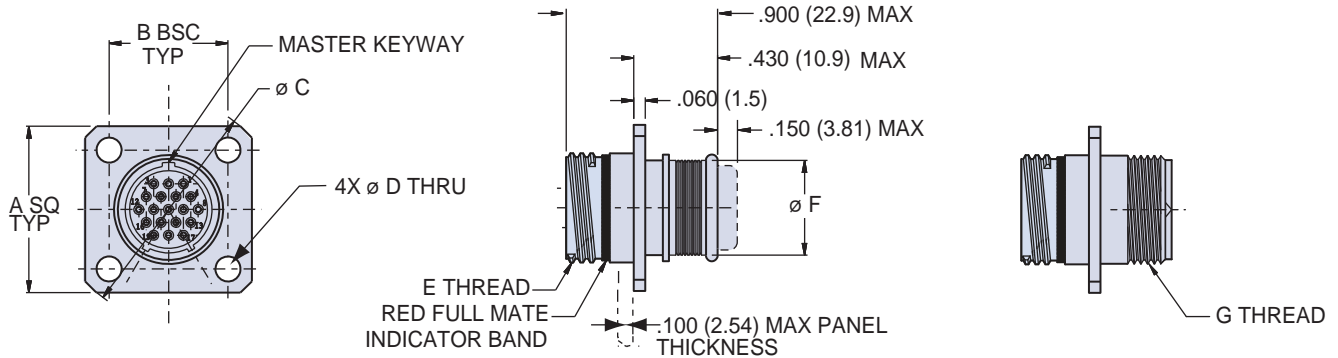


# Series 801 Mighty Mouse Double-Start ACME Thread Receptacle 801-009-02 and 801-010-02 Dimensions



Series 801

## Square flange, front or rear panel mount receptacle - shell style 02



**Integral Band Platform**  
**801-009-02**

**Accessory Thread**  
**801-010-02**

Dimensions												
Shell Size	A SQ		B BSC		$\phi C$		$\phi D$		E Thread	$\phi F$		G Thread UNEF-2A
	In.	mm.	In.	mm.	In.	mm.	In.	mm.		In.	mm.	
5	.530	13.46	.363	9.22	.680	17.27	.096	2.44	.3125-.05P-.1L-DS-2A	.245	6.22	.2500-32
6	.590	14.99	.423	10.74	.750	19.05			.3750-.05P-.1L-DS-2A	.290	7.37	.3125-32
7	.650	16.51	.483	12.27	.850	21.59			.4375-.05P-.1L-DS-2A	.390	9.91	.4375-28
8	.712	18.08	.545	13.84	.938	23.83			.5000-.05P-.1L-DS-2A	.445	11.30	.5000-28
9	.850	21.59	.607	15.42	1.125	28.58	.130	3.30	.5625-.05P-.1L-DS-2A	.500	12.70	.5625-24
10	.890	22.61	.670	17.02	1.188	30.18			.6250-.05P-.1L-DS-2A	.560	14.22	.6250-24
11	.935	23.75	.715	18.16	1.250	31.75			.6875-.05P-.1L-DS-2A	.605	15.37	.6875-24
13	1.030	26.16	.812	20.62	1.375	34.93			.8125-.1P-.2L-DS-2A	.650	16.51	.6875-24
16	1.219	30.96	.981	24.92	1.625	41.28			1.0000-.1P-.2L-DS-2A	.805	20.45	.9375-20
17	1.280	32.51	1.060	26.92	1.700	43.18			1.0625-.1P-.2L-DS-2A	.850	21.59	.9375-20
19	1.432	36.37	1.191	30.25	1.900	48.26			1.1875-.1P-.2L-DS-2A	1.003	25.48	1.0625-18
21	1.565	39.75	1.322	33.58	2.100	53.34			1.3125-.1P-.2L-DS-2A	1.110	28.19	1.1875-18



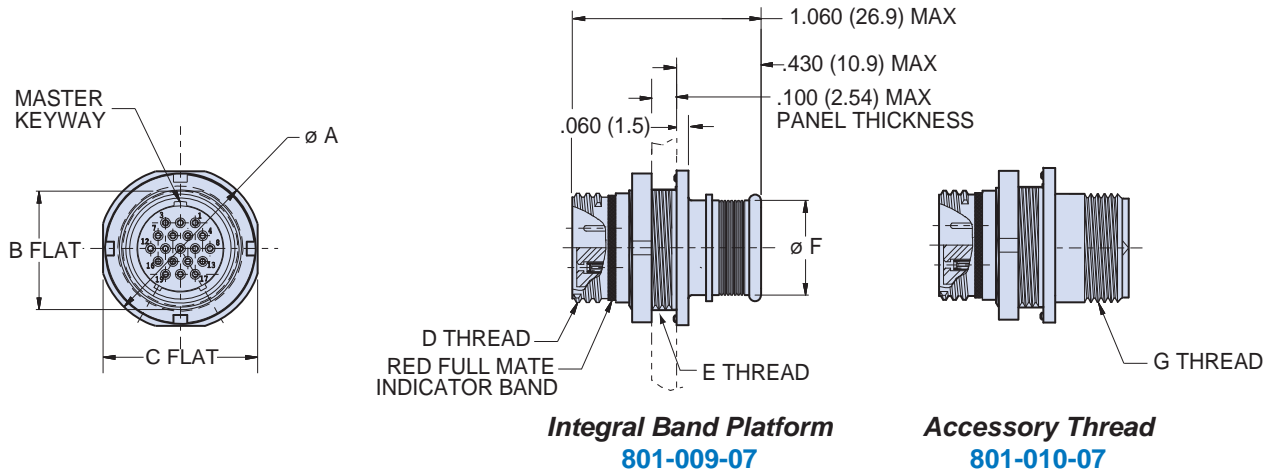
Series 801 Panel Cutout							
Shell Size	$\phi A$		B BSC		$\phi C$		
	In.	mm.	In.	mm.	In.	mm.	
5	.328	8.33	.363	9.22	.096	2.44	
6	.390	9.91	.423	10.74			
7	.453	11.51	.483	12.27			
8	.515	13.08	.545	13.84			
9	.578	14.68	.607	15.42	.130	3.30	
10	.640	16.26	.670	17.02			
11	.703	17.86	.715	18.16			
13	.828	21.03	.812	20.62			
16	1.015	25.78	.981	24.92			
17	1.078	27.38	1.060	26.92			
19	1.203	30.56	1.191	30.25			
21	1.328	33.73	1.322	33.58			

Dimensions in Inches (millimeters) are subject to change without notice.

# Series 801 Mighty Mouse Double-Start ACME Thread Receptacle

801-009-07 and 801-010-07 Dimensions

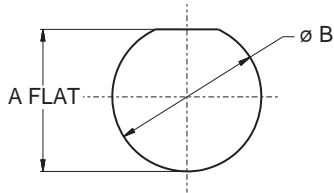
## Jam nut, rear panel mount receptacle - shell style 07



### Dimensions

Shell Size	Ø A		B Flat		C Flat		D Thread	E Thread UN-2A	Ø F		G Thread UN-2A
	In.	mm.	In.	mm.	In.	mm.			In.	mm.	
5	.575	14.61	.350	8.89	.545	13.84	.3125-.05P-.1L-2A	.375-28	.245	6.22	.250-32
6	.635	16.13	.410	10.41	.595	15.11	.375-.05P-.1L-2A	.4375-28	.290	7.37	.3125-32
7	.755	19.18	.536	13.61	.723	18.36	.4375-.05P-1L2A	.5625-32	.390	9.91	.4375-28
8	.755	19.18	.536	13.61	.723	18.36	.5000-.05P-.1L-2A	.5625-32	.445	11.30	.5000-28
9	.830	21.08	.596	15.14	.790	20.07	.5625-.05P-.1L-2A	.625-28	.500	12.70	.5625-24
10	.890	22.61	.658	16.71	.855	21.72	.6250-.05P-.1L-2A	.6875-28	.560	14.22	.6250-24
11	.960	24.38	.718	18.24	.925	23.50	.6875-.05P-.1L-2A	.7500-28	.605	15.37	.6875-24
13	1.078	27.38	.845	21.46	1.044	26.52	.8125-1P-2L-2A	.875-28	.650	16.51	.6875-24
16	1.264	32.11	1.022	25.96	1.230	31.24	1.000-1P-2L-2A	1.0625-20	.805	20.45	.9375-20
17	1.325	33.66	1.096	27.84	1.290	32.77	1.062-1P-2L-2A	1.125-28	.850	21.59	.9375-20
19	1.450	36.83	1.227	31.17	1.415	35.94	1.1875-1P-2L-2A	1.2500-28	1.003	25.48	1.0625-18
21	1.625	41.28	1.347	34.21	1.577	40.06	1.3125-1P-2L-2A	1.375-28	1.110	28.19	1.1875-18

### Series 801 Jam Nut Panel Cutout



Shell Size	A Flat		Ø B	
	In. ± .002	mm. ± 0.05	In. ± .002	mm. ± 0.05
5	.356	9.04	.385	9.78
6	.416	10.57	.447	11.35
7	.542	13.77	.572	14.53
8	.542	13.77	.572	14.53
9	.602	15.29	.635	16.13
10	.666	16.92	.697	17.70
11	.730	18.54	.760	18.44
13	.851	21.62	.885	22.48
16	1.028	26.11	1.075	27.31
17	1.102	27.99	1.135	28.83
19	1.243	31.57	1.260	32.00
21	1.354	34.39	1.385	35.18

Dimensions in Inches (millimeters) are subject to change without notice.

### NOTES

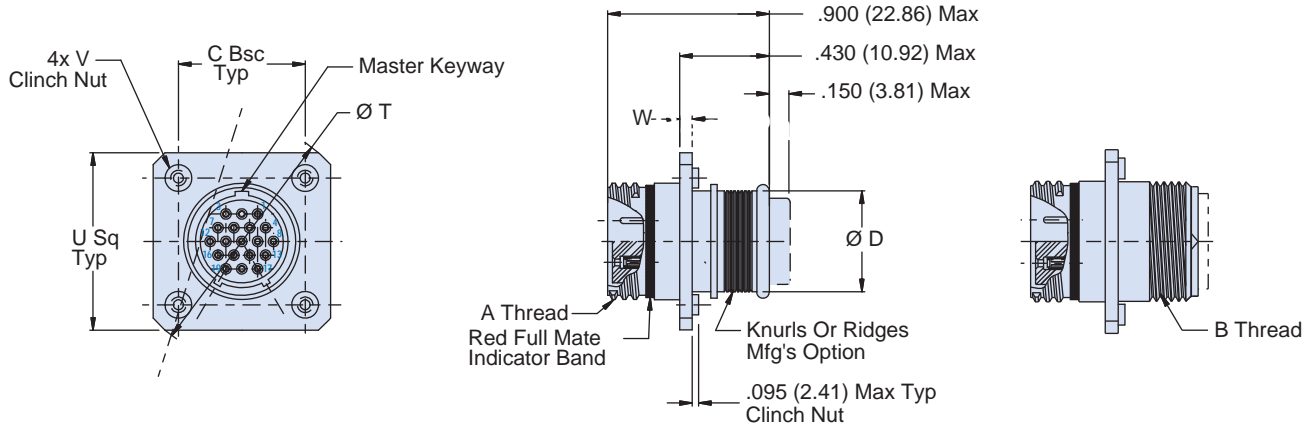
- Grommet protrudes for power/combo/#8 arrangements.
- For all #8 arrangements, add .100" to length of banding platform.
- For all #8 arrangements, add .340" to overall length.

# Series 801 Mighty Mouse Double-Start ACME Thread Receptacle 801-009-12/-22 and 801-010-12/-22 Dimensions



Series 801

## Rear panel mount receptacle - shell style 12 and 22



### Integral Band Platform 801-009-12 and 801-009-22

### Accessory Thread 801-010-12 and 801-010-22

Shell Size	Dimensions						
	A Thread	B Thread	C BSC	Ø T	U SQ	V Clinch Nut	W
5	.3125-.05P-.1L-DS-2A	.2500-32 UNEF-2A	0.363	0.774	0.623	2-56	0.030
6	.3750-.05P-.1L-DS-2A	.3125-32 UNEF-2A	0.423	0.860	0.683		
7	.4375-.05P-.1L-DS-2A	.4375-28 UNEF-2A	0.483	0.944	0.743		
8	.5000-.05P-.1L-DS-2A	.5000-28 UNEF-2A	0.545	1.032	0.805		
9	.5625-.05P-.1L-DS-2A	.5625-24 UNEF-2A	0.607	1.180	0.927	4-40	0.060
10	.6250-.05P-.1L-DS-2A	.6250-24 UNEF-2A	0.670	1.268	0.990		
11	.6875-.05P-.1L-DS-2A	.6875-24 UNEF-2A	0.715	1.331	1.035		
13	.8125-.1P-.2L-DS-2A	.6875-24 UNEF-2A	0.812	1.470	1.132		
16	1.0000-.1P-.2L-DS-2A	.9375-20 UNEF-2A	0.981	1.708	1.301		
17	1.0625-.1P-.2L-DS-2A	.9375-20 UNEF-2A	1.060	1.822	1.382		
19	1.1875-.1P-.2L-DS-2A	1.0625-18 UNEF-2A	1.191	2.006	1.511		
21	1.3125-.1P-.2L-DS-2A	1.1875-18 UNEF-2A	1.322	2.190	1.642		

Series 801 Front and Rear Mount Panel Cutout		
Ø R	G Bsc	H Holes
		0.363
0.423		0.096
0.483		0.091
0.545		
0.607		
0.670		
0.715		
0.812		0.130
0.981		0.126
1.060		
1.191		
1.322		

### NOTES

- Grommet protrudes for power/combo/#8 arrangements.
- For all #8 arrangements, add .100" to length of banding platform.
- For all #8 arrangements, add .340" to overall length.

Dimensions in Inches (millimeters) are subject to change without notice.



## Series 801 Mighty Mouse Double-Start ACME Thread PCB Receptacle 801-011 and 801-033 Ordering Information



**Printed Circuit Board Receptacles** feature low profile shells for minimum protrusion inside enclosures and integral standoffs for board washout. Contacts are non-removable.

**Water Immersion, Unmated** Specify 801-011 connectors for applications where open face water immersion is not a requirement. For MIL-STD-810 Method 512G immersion requirements, specify 801-033 watertight connectors. These 801-033 connectors are specially sealed ("MOD-518") and are 100% tested to maintain a helium leak rate of  $1 \times 10^{-4}$  cc/second at one atmosphere pressure differential from -40C to +70C.

### How To Order

Sample Part Number	801-011	-02	M	6-7	P	A
<b>Series</b>	<b>801-011</b> = Receptacle for Solder Cup or PCB Termination, with Standard Epoxy <b>801-033</b> = Receptacle for Solder Cup or PCB Termination, With Special "MOD-518" Sealing For Open Face (unmated) Water Immersion Requirements. 100% Leak Tested.					
<b>Shell Style (See Table I)</b>	<b>-02</b> = Square Flange Front or Rear Mount <b>-12</b> = Square Flange Rear Mount Non-Locking Clinch Nuts <b>-22</b> = Square Flange Rear Mount Locking Clinch Nuts <b>-07</b> = Jam Nut					
<b>Material and Finish</b>	<b>M</b> = Aluminum / Electroless Nickel RoHS Compliant <b>MT</b> = Aluminum / Nickel-PTFE RoHS Compliant <b>NF</b> = Aluminum / Cadmium with Olive Drab Chromate <b>ZNU</b> = Aluminum / Zinc-Nickel with Black Chromate <b>Z1</b> = Stainless Steel / Passivated RoHS Compliant					
<b>Shell Size - Insert Arrangement</b>	See Contact Arrangements page D-2					
<b>Contact Type</b>	<b>E</b> = Pin, Solder Cup <b>F</b> = Socket, Solder Cup		<b>P</b> = Pin, PC Tail <b>S</b> = Socket, PC Tail			
<b>Shell Key Positions (See Table II)</b>	<b>A</b> = Normal <b>B</b> = Pos. B <b>C</b> = Pos. C <b>D</b> = Pos. D <b>E</b> = Pos. F <b>F</b> = Pos. F					

Table I: Shell Style

<b>Style -02/-12/-22</b> Square Flange	<b>Style -01</b> Jam Nut

Table II: Key Positions

	A°	B°
<b>A</b>	150°	210°
<b>B</b>	75°	210°
<b>C</b>	95°	230°
<b>D</b>	140°	275°
<b>E</b>	75°	275°
<b>F</b>	95°	210°

PC Tail Dimensions

Contact Size	Ø S
#23	Ø .018/.022
#20	Ø .028/.024
#16	Ø .060/.064
#12	Ø .092/.096

Dimensions in Inches (millimeters) are subject to change without notice.

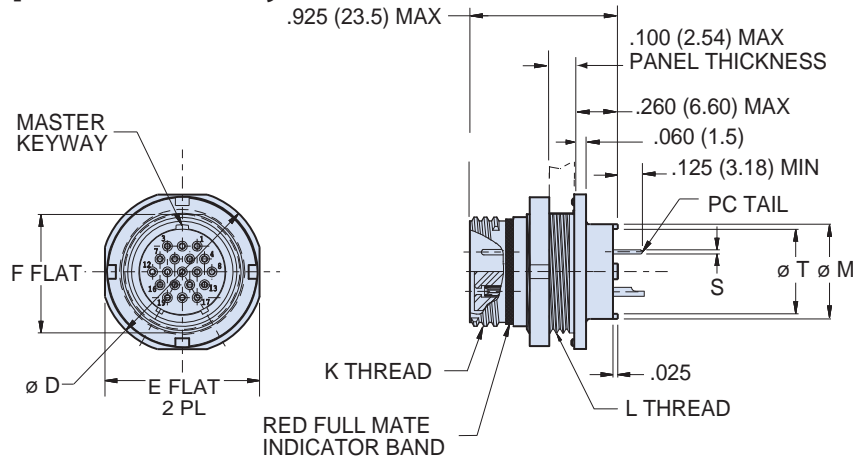
**Series 801 Mighty Mouse  
Double-Start ACME Thread PCB Receptacle  
801-011 and 801-033 Dimensions**



Series 801

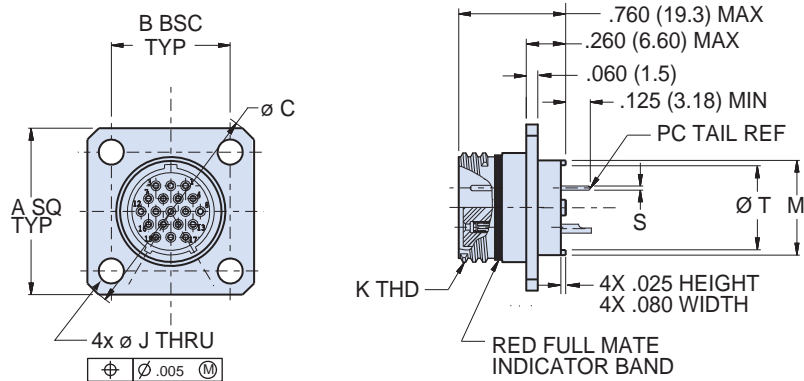
**Jam nut mount receptacle - shell style 07**

**Jam Nut  
801-011-07**



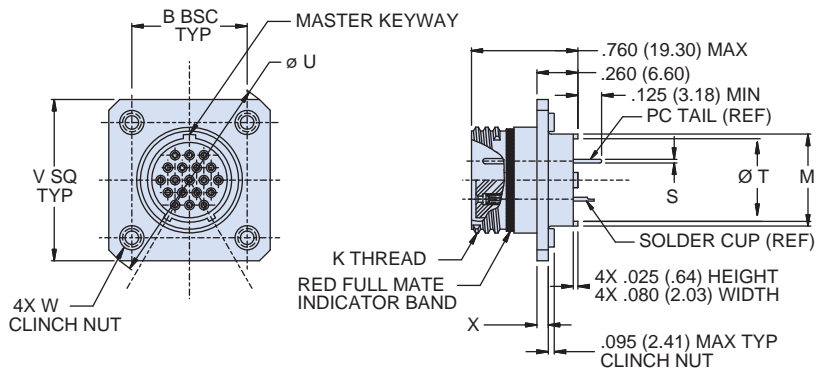
**Square flange mount receptacle - shell style 02**

**Square Flange  
801-011-02**



**Square flange mount receptacle - shell style 12 and 22**

**Square Flange  
801-011-12 and -22**



Dimensions in Inches (millimeters) are subject to change without notice.

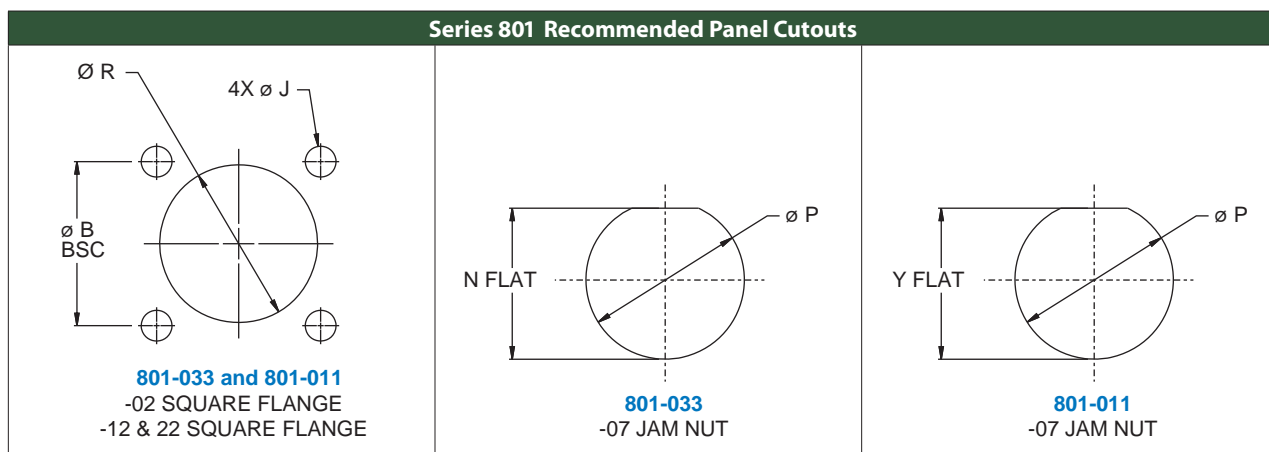




# Series 801 Mighty Mouse Double-Start ACME Thread PCB Receptacle 801-011 and 801-033 Dimensions

Dimensions														
Shell Size	A Sq		B Bsc		Ø C		Ø D		E Flat		F Flat		J Holes	K Thread
	In.	mm.	In.	mm.	In.	mm.	In.	mm.	In.	mm.	In.	mm.		
5	.530	13.46	0.363	9.22	0.680	17.27	0.575	14.61	.545	13.84	0.350	8.89	.096 (2.44) .091 (2.31)	.3125-.05P-.1L-2A
6	.590	14.99	0.423	10.74	0.750	19.05	0.635	16.13	.595	15.11	0.410	10.41		.3750-.05P-.1L-2A
7	.650	16.51	0.483	12.27	0.850	21.59	0.755	19.18	.723	18.36	0.536	13.61		.4375-.05P-.1L-2A
8	.712	18.08	0.545	13.84	0.938	23.83	0.755	19.18	.723	18.36	0.536	13.61		.5000-.05P-.1L-2A
9	.850	21.59	0.607	15.42	1.125	28.58	0.830	21.08	.790	20.07	0.596	15.14	.130 (3.30) .126 (3.11)	.5625-.05P-.1L-2A
10	.890	22.61	0.670	17.02	1.188	30.18	0.890	22.61	.855	21.72	0.658	16.71		.6250-.05P-.1L-2A
11	.935	23.75	0.715	18.16	1.250	31.75	0.960	24.38	.925	23.50	0.718	18.24		.6875-.05P-.1L-2A
13	1.030	26.16	0.812	20.62	1.375	34.92	1.078	27.38	1.044	26.52	0.845	21.46		.8125-.1P-.2L-2A
16	1.219	30.96	0.981	24.92	1.625	41.28	1.265	32.13	1.230	31.24	1.022	25.96		1.0000-.1P-.2L-2A
17	1.280	32.51	1.060	26.92	1.700	43.18	1.325	33.66	1.290	32.77	1.096	27.84		1.0625-.1P-.2L-2A
19	1.432	36.37	1.191	30.25	1.900	48.26	1.450	36.83	1.415	35.94	1.225	31.12		1.1875-.1P-.2L-2A
21	1.565	39.75	1.322	33.58	2.100	53.34	1.625	41.28	1.577	40.06	1.345	34.16		1.3125-.1P-.2L-2A

Dimensions (Continued)																			
Shell Size	L Thread	Ø M		Ø T		N Flat ± .002		Ø P		Ø R		Ø U		V Sq		W Clinch Nuts	X	Y Flat ± .002	
		In.	mm.	In.	mm.	In.	mm.	In.	mm.	In.	mm.	In.	mm.	In.	mm.			In.	mm.
5	.3750-28 UN-2A	.244	6.20	.175	4.45	.360	9.14	.385	9.78	.330	8.38	.774	19.66	.623	15.82	2-56	.030 (.76)	.356	9.04
6	.4375-28 UNEF-2A	.330	8.38	.238	6.05	.420	10.67	.448	11.38	.390	9.91	.860	21.84	.683	17.35			.416	10.57
7	.5625-32 UN-2A	.432	10.97	.327	8.31	.551	14.00	.573	14.55	.450	11.43	.944	23.98	.743	18.87			.542	13.77
8	.5625-32 UN-2A	.493	12.52	.388	9.86	.551	14.00	.573	14.55	.510	12.95	1.032	26.21	.805	20.45			.542	13.77
9	.6250-28 UN-2A	.551	14.00	.446	11.33	.609	15.47	.635	16.13	.575	14.61	1.180	29.97	.927	23.55	4-40	.060 (1.52)	.600	15.24
10	.6875-28 UN-2A	.620	15.75	.516	13.11	.671	17.04	.698	17.73	.640	16.26	1.268	32.21	.990	25.15			.666	16.92
11	.7500-28 UN-2A	.662	16.81	.557	14.15	.726	18.44	.760	19.30	.700	17.78	1.331	33.81	1.035	26.29			.726	18.44
13	.8750-28 UN-2A	.703	17.86	.599	15.21	.859	21.82	.885	22.48	.825	20.96	1.470	37.34	1.132	28.75			.851	21.62
16	1.0625-20 UN-2A	.863	21.92	.759	19.28	1.038	26.37	1.075	27.31	1.015	25.78	1.708	43.38	1.301	33.05			1.028	26.11
17	1.1250-28 UN-2A	.912	23.16	.808	20.52	1.111	28.22	1.135	28.83	1.075	27.31	1.822	46.28	1.382	35.10			1.102	27.99
19	1.2500-28 UN-2A	1.018	25.86	.910	23.11	1.233	31.32	1.260	32.00	1.200	30.48	2.006	50.95	1.511	38.38			1.233	31.32
21	1.3750-28 UN-2A	1.170	29.72	1.061	26.95	1.354	34.39	1.385	35.18	1.330	33.78	2.190	55.63	1.642	41.71			1.351	34.32



Dimensions in Inches (millimeters) are subject to change without notice.

# Series 801 Mighty Mouse Double-Start ACME Thread Right Angle PCB Receptacle

## 801-023 Ordering Information



Series 801



### Right Angle PCB Receptacle

connectors offer military grade performance in a small, lightweight package. These connectors are rated for MIL-STD-810 Method 512 immersion. High temperature thermoplastic housing withstands soldering temperatures. Stainless steel threaded inserts simplify attachment to printed circuit board.

- Double-Start ACME Thread
- Right Angle Contacts
- High Temperature Housing
- Threaded Inserts
- Environmentally Sealed

How To Order	
Sample Part Number	801-023 -07 M 7-10 P A
Series	801-023 = PCB Right Angle Receptacle
Shell Style	-07 = Jam Nut
Material and Finish	<p>C = Aluminum / Black Anodize (Non-Conductive) RoHS Compliant</p> <p>M = Aluminum / Electroless Nickel RoHS Compliant</p> <p>MT = Aluminum / Nickel-PTFE RoHS Compliant</p> <p>NF = Aluminum / Cadmium with Olive Drab Chromate</p> <p>ZNU = Aluminum / Zinc-Nickel with Black Chromate</p> <p>Z1 = Stainless Steel / Passivated RoHS Compliant</p>
Shell Size - Insert Arrangement	5-3, 6-1, 6-23, 6-4, 6-6, 6-7, 7-1, 7-25, 7-10, 8-2, 8-28, 8-13, 9-4, 9-210, 9-19, 9-200, 10-2, 10-5, 10-201
Contact Type	P = Pin S = Socket
Shell Key Positions (See Table I)	A = Normal B = Pos. B C = Pos. C D = Pos. D E = Pos. F F = Pos. F

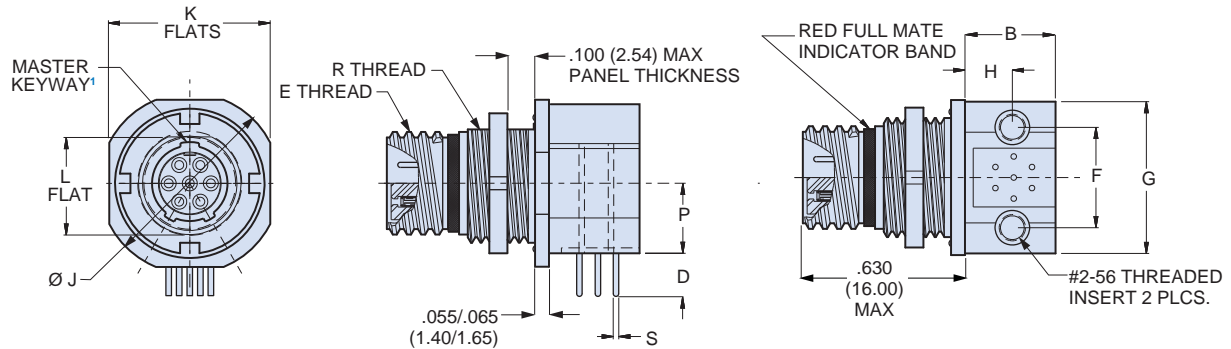


	A°	B°
A	150°	210°
B	75°	210°
C	95°	230°
D	140°	275°
E	75°	275°
F	95°	210°

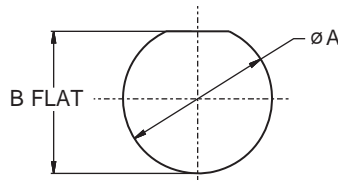
Dimensions in Inches (millimeters) are subject to change without notice.

# Series 801 Mighty Mouse Double-Start ACME Thread Right Angle PCB Receptacle 801-023 Dimensions

## Jam nut, rear panel mount - shell style 07



### Recommended Panel Cutout



Shell Size/ Contact Arrangement	Ø A		B Flat		Shell Size/ Contact Arrangement	Ø A		B Flat	
	In. ± .005	mm. ± 0.13	In. ± .002	mm. ± 0.05		In. ± .005	mm. ± 0.13	In. ± .002	mm. ± 0.05
<b>5-3</b>	.385	9.78	.356	9.07	<b>8-28</b>	.572	14.55	.540	13.82
<b>6-1</b>	.447	11.37	.416	10.62	<b>8-13</b>	.572	14.55	.540	13.82
<b>6-23</b>	.447	11.37	.416	10.62	<b>9-4</b>	.635	16.13	.602	15.32
<b>6-4</b>	.447	11.37	.416	10.62	<b>9-210</b>	.635	16.13	.602	15.32
<b>6-6, 6-7</b>	.447	11.37	.416	10.62	<b>9-19</b>	.635	16.13	.602	15.32
<b>7-1</b>	.572	14.55	.540	13.82	<b>9-200</b>	.635	17.70	.602	15.32
<b>7-25</b>	.572	14.55	.540	13.82	<b>10-2</b>	.697	17.70	.664	16.87
<b>7-10</b>	.572	14.55	.540	13.82	<b>10-5</b>	.697	17.70	.664	16.87
<b>8-2</b>	.572	14.55	.540	13.82	<b>10-201</b>	.697	17.70	.664	16.87

### NOTES

- Master keyway is located at top dead center for all arrangements except for the 8-13, which is 90° counter clockwise from top center.

Dimensions in Inches (millimeters) are subject to change without notice.



# Series 801 Mighty Mouse Double-Start ACME Thread Right Angle PCB Receptacle 801-023 Dimensions



Series 801

## Jam nut, rear panel mount - shell style 07

Shell Size/ Contact Arrangement	Dimensions														
	B		D		E Thread	F		G		H		Ø J		K Flat	
	In.	mm.	±.035	±0.89		In.	mm.	In.	mm.	In.	mm.	In.	mm.	In.	mm.
5-3	.260	6.60	.275	6.99	.3125-.05P-.1L-DS- 2A	.310	7.87	.490	14.45	.165	4.19	.580	14.73	.545	13.84
6-1	.345	8.76	.292	7.42	.3750-.05P-.1L-DS- 2A	.385	9.78	.589	15.19	.224	5.69	.635	16.13	.602	15.29
6-23	.345	8.76	.305	7.75	.3750-.05P-.1L-DS- 2A	.385	9.78	.589	15.19	.224	5.69	.635	16.13	.602	15.29
6-4	.345	8.76	.292	7.42	.3750-.05P-.1L-DS-2A	.385	9.78	.589	15.19	.224	5.69	.635	16.13	.602	15.29
6-6, 6-7	.345	8.76	.265	6.73	.3750-.05P-.1L-DS-2A	.408	10.36	.589	15.19	.187	4.75	.635	16.13	.602	15.29
7-1	.345	8.76	.273	6.93	.4375-.05P-.1L-DS- 2A	.452	11.48	.710	18.03	.170	4.32	.755	19.18	.723	.723
7-25	.345	8.76	.266	6.76	.4375-.05P-.1L-DS- 2A	.452	11.48	.710	18.03	.170	4.32	.755	19.18	.723	.723
7-10	.345	8.76	.273	6.93	.4375-.05P-.1L-DS-2A	.452	11.48	.710	18.03	.170	4.32	.755	19.18	.723	.723
8-2	.490	12.45	.305	7.75	.5000-.05P-.1L-DS- 2A	.490	12.45	.710	18.03	.230	5.84	.755	19.18	.723	.723
8-28	.490	12.45	.289	7.34	.5000-.05P-.1L-DS- 2A	.490	12.45	.710	18.03	.230	5.84	.755	19.18	.723	.723
8-13	.490	12.45	.305	8.03	.5000-.05P-.1L-DS-2A	.490	12.45	.710	18.03	.230	5.84	.755	19.18	.723	.723
9-4	.490	12.45	.240	6.096	.5625-.05P-.1L-DS- 2A	.600	15.24	.800	20.32	.342	8.69	.830	21.08	.790	20.01
9-210	.490	12.45	.245	6.22	.5625-.05P-.1L-DS- 2A	.600	15.24	.800	20.32	.342	8.69	.830	21.08	.790	20.01
9-19	.490	12.45	.275	6.99	.5625-.05P-.1L-DS-2A	.600	15.24	.800	20.32	.342	8.69	.830	21.08	.790	20.01
9-200	.490	12.45	.255	6.48	.5625-.05P-.1L-DS- 2A	.600	15.24	.800	20.32	.342	8.69	.830	21.08	.790	20.01
10-2	.570	14.48	.299	7.59	.6250-.05P-.1L-DS- 2A	.640	16.26	.840	21.34	.362	9.19	.890	22.06	.855	21.72
10-5	.570	14.48	.255	6.48	.6250-.05P-.1L-DS- 2A	.640	16.26	.840	21.34	.362	9.19	.890	22.06	.855	21.72
10-201	.570	14.48	.294	7.47	.6250-.05P-.1L-DS- 2A	.640	16.26	.840	21.34	.362	9.19	.890	22.06	.855	21.72



Shell Size/ Contact Arrangement	Dimensions (Continued)				
	L Flat		P		R Thread
	In.	mm.	In.	mm.	
5-3	.355/.346	9.02/8.79	.225	5.72	.375-28 UN-2A
6-1	.415/.406	10.54/10.31	.225	5.72	.4375-28 UNEF-2A
6-23	.415/.406	10.54/10.31	.225	5.72	.4375-28 UNEF-2A
6-4	.415/.406	10.54/10.31	.225	5.72	.4375-28 UNEF-2A
6-6, 6-7	.415/.406	10.54/10.31	.225	5.72	.4375-28 UNEF-2A
7-1	.539/.530	13.69/13.46	.296	7.52	.5625-32 UN-2A
7-25	.539/.530	13.69/13.46	.296	7.52	.5625-32 UN-2A
7-10	.539/.530	13.69/13.46	.296	7.52	.5625-32 UN-2A
8-2	.539/.530	13.69/13.46	.320	8.10	.5625-32 UN-2A
8-28	.539/.530	13.69/13.46	.320	8.10	.5625-32 UN-2A
8-13	.539/.530	13.69/13.46	.320	8.10	.5625-32 UN-2A
9-4	.601/.592	15.27/15.04	.362	9.19	.6250-28 UN-2A
9-210	.601/.592	15.27/15.04	.362	9.19	.6250-28 UN-2A
9-19	.601/.592	15.27/15.04	.362	9.19	.6250-28 UN-2A
9-200	.601/.592	15.27/15.04	.362	9.19	.6250-28 UN-2A
10-2	.663/.654	16.84/16.61	.397	10.08	.6875-28 UN-2A
10-5	.663/.654	16.84/16.61	.397	10.08	.6875-28 UN-2A
10-201	.663/.654	16.84/16.61	.397	10.08	.6875-28 UN-2A

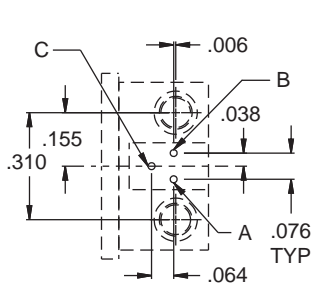
PC Tail Dimensions	
Contact Size	Ø S
#23	Ø .018/.022
#20	Ø .028/.024
#16	Ø .060/.064
#12	Ø .092/.096

Dimensions in Inches (millimeters) are subject to change without notice.

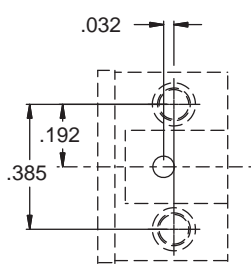
### RIGHT ANGLE PCB FOOTPRINTS: SOCKET CONNECTORS

Patterns shown are for component mounting side of PCB.

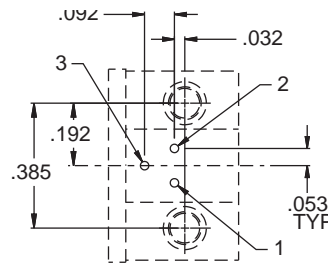
#23=.022 max #20=.028 #16=.064 #12=.096, mounting holes are .093 (2.36) diameter



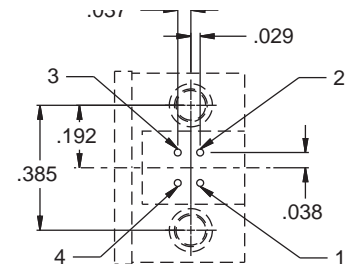
ARRANGEMENT NO. 5-3  
(3 #23 CONTACTS)



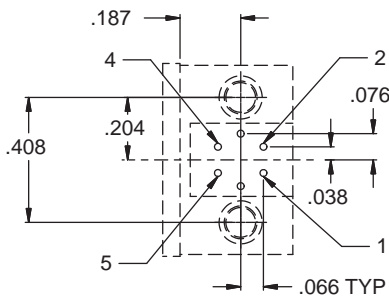
ARRANGEMENT NO. 6-1  
(1 #16 CONTACT)



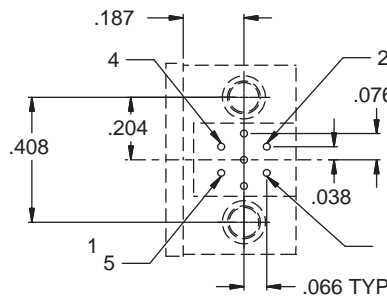
ARRANGEMENT NO. 6-23  
(3 #20HD CONTACTS)



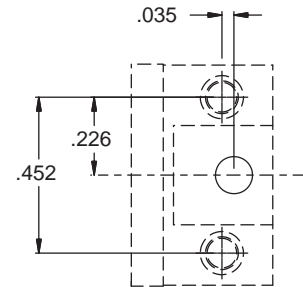
ARRANGEMENT NO. 6-4  
(4 #23 CONTACTS)



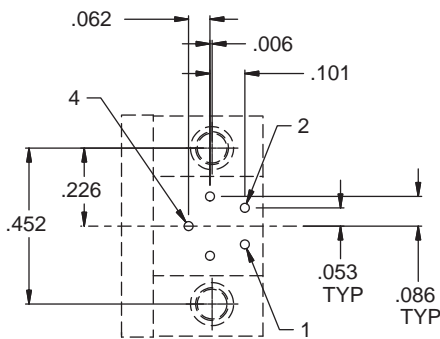
ARRANGEMENT NO. 6-6  
(6 #23 CONTACTS)



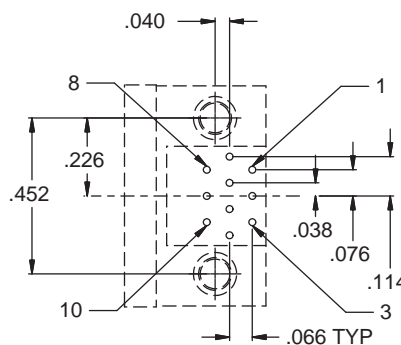
ARRANGEMENT NO. 6-7  
(7 #23 CONTACTS)



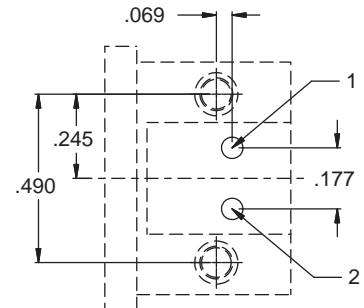
ARRANGEMENT NO. 7-1  
(1 #12 CONTACT)



ARRANGEMENT NO. 7-25  
(5 #20HD CONTACTS)



ARRANGEMENT NO. 7-10  
(10 #23 CONTACTS)



ARRANGEMENT NO. 8-2  
(2 #16 CONTACTS)

Dimensions in Inches (millimeters) are subject to change without notice.

# Series 801 Mighty Mouse Double-Start ACME Thread Right Angle PCB Receptacle 801-023 PCB Footprint: Pin Connectors

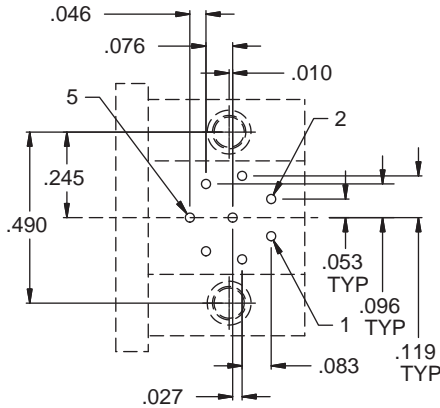


Series 801

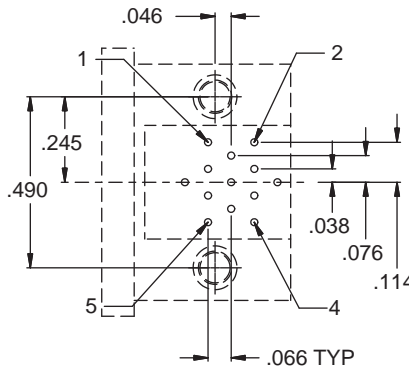
## RIGHT ANGLE PCB FOOTPRINTS: SOCKET CONNECTORS

Patterns shown are for component mounting side of PCB.

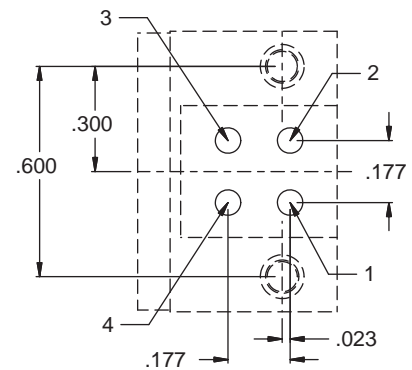
#23=.022 max #20=.028 #16=.064 #12=.096, mounting holes are .093 (2.36) diameter



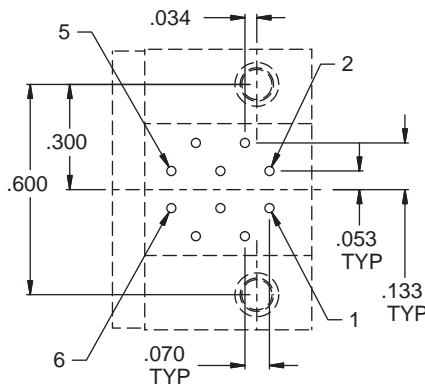
ARRANGEMENT NO. 8-28  
(8 #20HD CONTACTS)



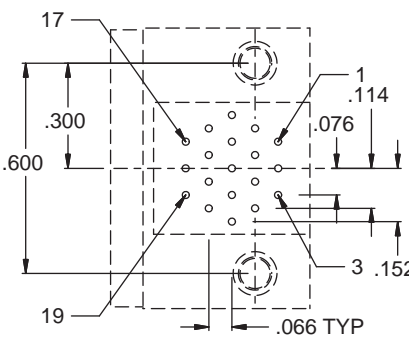
ARRANGEMENT NO. 8-13  
(13 #23 CONTACTS)



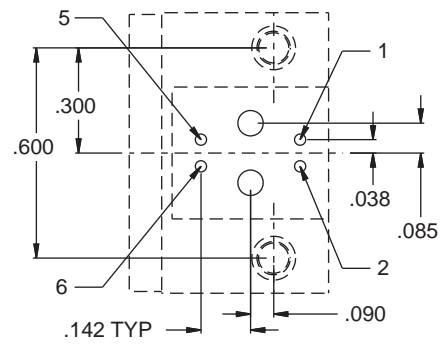
ARRANGEMENT NO. 9-4  
(4 #16 CONTACTS)



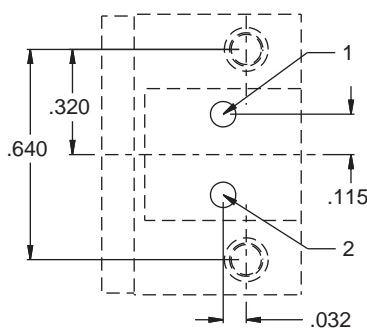
ARRANGEMENT NO. 9-210  
(10 #20HD CONTACTS)



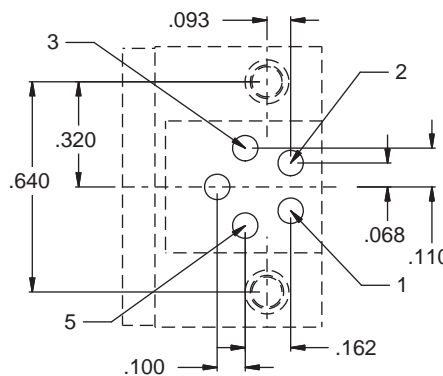
ARRANGEMENT NO. 9-19  
(19 #23 CONTACTS)



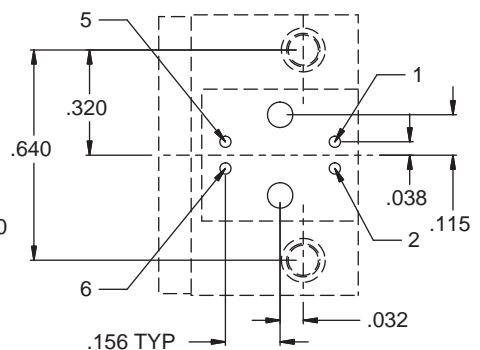
ARRANGEMENT NO. 9-200  
(2#16, 4 #23 CONTACTS)



ARRANGEMENT NO. 10-2  
(2 #12 CONTACTS)



ARRANGEMENT NO. 10-5  
(5 #16 CONTACTS)



ARRANGEMENT NO. 10-201  
(2 #12, 4 #23 CONTACTS)

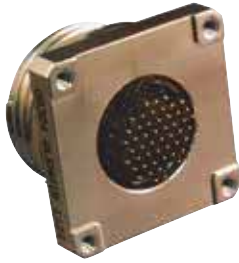
Dimensions in Inches (millimeters) are subject to change without notice.





## Series 801 Mighty Mouse Double-Start ACME Thread Square Flange Jam Nut PCB Receptacle

### 801-075 Ordering Information



Rear Panel mount jam nut receptacle features square flange for secure attachment of rigid boards or flex circuits. Flange has #2-56 stainless steel helicoils and integral standoffs. PC tail contacts are factory installed, potted with epoxy and are non-removable. Gold-plated copper alloy contacts, aluminum or stainless steel shell, fluorosilicone seals and LCP insulators

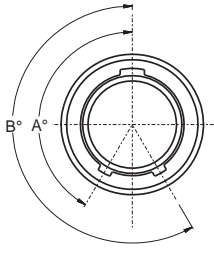
#### How To Order

Sample Part Number	801-075	-07	M	6-7	P	A
<b>Series</b>	801-075 = Receptacle with Printed Circuit Board Contacts or Solder Cup Contacts					
<b>Shell Style</b>	-07 = Jam Nut					
<b>Material and Finish</b>	M = Aluminum / Electroless Nickel RoHS Compliant MT = Aluminum / Nickel-PTFE RoHS Compliant NF = Aluminum / Cadmium with Olive Drab Chromate ZNU = Aluminum / Zinc-Nickel with Black Chromate Z1 = Stainless Steel / Passivated RoHS Compliant					
<b>Shell Size - Insert Arrangement</b>	See Contact Arrangements page D-2					
<b>Contact Type</b>	P = Pin, PC Tail S = Socket, PC Tail					
<b>Shell Key Positions (See Table I)</b>	A = Normal B = Pos. B C = Pos. C D = Pos. D E = Pos. F F = Pos. F					

D

#### Table I: Key Positions

	A°	B°
<b>A</b>	150°	210°
<b>B</b>	75°	210°
<b>C</b>	95°	230°
<b>D</b>	140°	275°
<b>E</b>	75°	275°
<b>F</b>	95°	210°



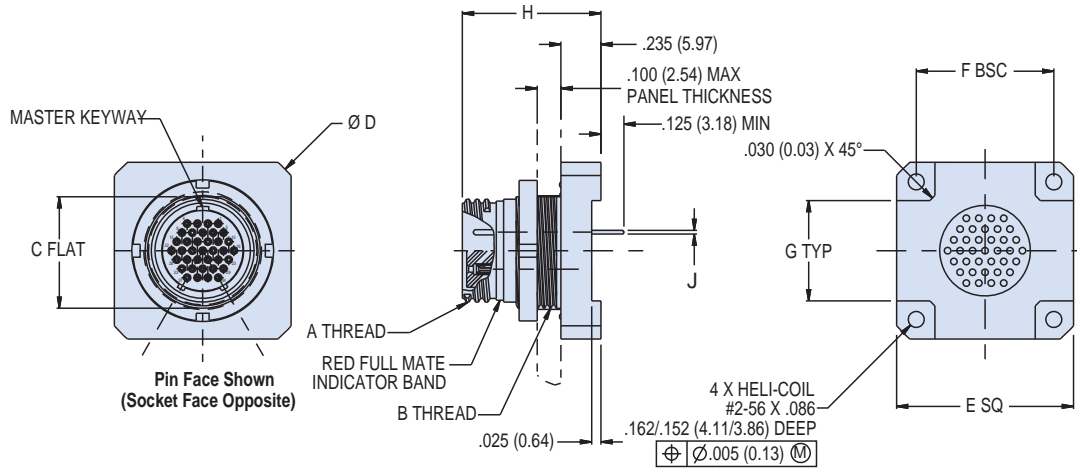
Dimensions in Inches (millimeters) are subject to change without notice.

# Series 801 Mighty Mouse Double-Start ACME Thread Square Flange Jam Nut PCB Receptacle 801-075-07 Dimensions



Series 801

## Square flange jam nut PCB connector - shell style 07



Dimensions

Shell Size	A Thread	B Thread	C Flat		Ø D		E SQ		F BSC		G Typ		H	
			In.	mm.	In.	mm.	In.	mm.	In.	mm.	In.	mm.	In.	mm.
5	.3125-.05P-.1L-2A	.3750-28 UN-2A	.348	8.84	.720	18.29	.545	13.84	.363	9.22	.143	3.63	.772	19.61
6	.375-.05P-.1L-2A	.4375-28 UNEF-2A	.408	10.36	.800	20.32	.595	15.11	.423	10.74	.203	3.63	.772	19.61
7	.4375-.05P-1L2A	.5625-32 UN-2A	.534	13.56	.900	22.86	.723	18.36	.483	12.27	.263	3.63	.772	19.61
8	.5000-.05P-1L-2A	.5625-32 UN-2A	.534	13.56	.980	24.89	.723	18.36	.545	13.84	.325	3.63	.772	19.61
9	.5625-.05P-.1L-2A	.6250-28 UN-2A	.594	15.09	1.080	27.43	.790	20.06	.607	15.42	.387	3.63	.772	19.61
10	.6250-.05P-1L-2A	.6875-28 UN-2A	.656	16.66	1.160	29.46	.855	21.72	.670	17.02	.450	11.43	.772	19.61
11	.6875-.05P-1L-2A	.7500-28 UN-2A	.716	18.19	1.220	30.99	.925	21.72	.715	18.16	.495	12.57	.772	19.61
13	.8125-.1P-.2L-2A	.8750-28 UN-2A	.843	21.41	1.370	34.80	1.044	26.52	.812	20.62	.592	15.04	.881	22.38
16	1.0000-.1P-.2L-2A	1.0625-20 UN-2A	1.020	25.91	1.620	41.15	1.230	31.24	.981	24.92	.751	19.08	.881	22.38
17	1.0625-.1P-.2L-2A	1.1250-28 UN-2A	1.094	27.79	1.720	43.69	1.290	32.77	1.060	26.92	.840	21.34	.881	22.38
19	1.1875-.1P-.2L-2A	1.2500-28 UN-2A	1.225	31.16	1.920	48.77	1.415	35.94	1.191	30.25	.971	24.66	.881	22.38
21	1.3125-.1p-.2l-2a	1.3750-28 UN-2A	1.345	34.16	2.100	53.34	1.577	40.06	1.322	33.58	1.102	27.99	.881	22.38

PC Tails Dimensions

Contact Size	Ø J
#23	Ø .018/.022
#20	Ø .028/.024
#16	Ø .060/.064
#12	Ø .092/.096

Dimensions in Inches (millimeters) are subject to change without notice.



# Series 801 Mighty Mouse Double-Start ACME Thread Hermetic Receptacle

## 801-012 Ordering Information



**Series 801 Hermetic Receptacles** feature 304L stainless steel shells, fused vitreous glass insulators and Alloy 52 iron alloy contacts.

**1 X 10<sup>-7</sup> cc/second** maximum helium leak rate.

**Three Shell Styles:** solder mount, jam nut or square flange.

**Solder Cup Contacts or PC Tail Contacts** for attachment to flexible or rigid circuits or rigid boards.

D

### How To Order

Sample Part Number	801-012	-03	Z1	7-10	P	A
Series	801-012 = Hermetic Receptacles					
Shell Style (See Table I)	-02 = Square Flange -03 = Solder Mount -07 = Jam Nut -13 = Weld Mount					
Material and Finish	Z1 = Stainless Steel / Passivated RoHS Compliant ZL = Stainless Steel / Nickel Plated					
Shell Size - Insert Arrangement	See Contact Arrangements page D-2					
Contact Type	P = Pin, Solder Cup S = Socket, Solder Cup		C = Pin, PC Tail D = Socket, PC Tail			
Shell Key Positions (See Table II)	A = Normal B = Pos. B C = Pos. C D = Pos. D E = Pos. F F = Pos. F					

#### Table I: Shell Style

<b>Style -02</b> Square Flange	<b>Style -03</b> Solder Mount	<b>Style -07</b> Jam Nut	<b>Style -13</b> Weld Mount

#### Table II: Key Positions

	A°	B°
<b>A</b>	150°	210°
<b>B</b>	75°	210°
<b>C</b>	95°	230°
<b>D</b>	140°	275°
<b>E</b>	75°	275°
<b>F</b>	95°	210°

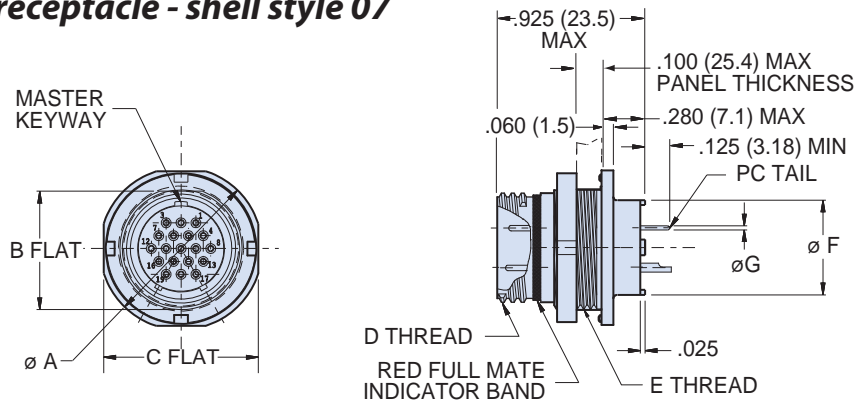
Dimensions in Inches (millimeters) are subject to change without notice.

# Series 801 Mighty Mouse Double-Start ACME Thread Hermetic Receptacle 801-012-07 Dimensions



Series 801

## Jam nut mount receptacle - shell style 07

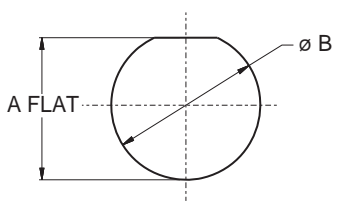


### Jam Nut Mount Hermetic 801-012-03

Shell Size	Dimensions										Ø G Tail Dia.
	Ø A		B Flat		C Flat		D Thread	E Thread UN-2A	Ø F		
	In.	mm.	In.	mm.	In.	mm.			In.	mm.	
5	.575	14.61	.350	8.89	.545	13.84	.3125-.05P-1L-2A	.3750-28	.244	6.20	#23 .018/.022 (0.46/0.56)
6	.635	16.13	.410	10.41	.595	15.11	.3750-.05P-1L-2A	.4375-28	.330	8.38	
7	.755	19.18	.536	13.61	.723	18.36	.4375-.05P-1L-2A	.5625-32	.432	10.97	
8	.755	19.18	.536	13.61	.723	18.36	.5000-.05P-1L-2A	.5625-32	.493	12.52	
9	.830	21.08	.596	15.14	.790	20.07	.5625-.05P-1L-2A	.6250-28	.551	14.00	
10	.890	22.61	.658	16.71	.855	21.72	.6250-.05P-1L-2A	.6875-28	.620	15.75	
11	.960	24.38	.718	18.24	.925	23.50	.6878-.05P-1L-2A	.7500-28	.662	16.81	
13	1.078	27.38	.845	21.46	1.044	26.52	.8125-.1P-2L-2A	.8750-28	.703	17.86	
16	1.265	32.13	1.022	25.96	1.230	31.24	1.0000-.1P-2L-2A	1.0625-20	.863	21.92	
17	1.325	33.66	1.096	27.84	1.290	32.77	1.0625-.1P-2L-2A	1.1250-28	.912	23.16	
19	1.450	36.83	1.225	31.115	1.415	35.94	1.1875-.1P-2L-2A	1.2500-28	1.018	25.86	
21	1.625	41.28	1.346	34.16	1.577	40.06	1.3125-.1P-2L-2A	1.3750-28	1.170	29.72	



Series 801 Jam Nut Panel Cutout					
Shell Size	A Flat		Ø B		
	In.	mm.	In.	mm.	
	± .002	± 0.05	± .002	± 0.05	
5	.358/.354	9.09/8.99	.385	9.78	
6	.418/.414	10.62/10.52	.448	11.38	
7	.544/.540	13.82/13.72	.573	14.55	
8	.544/.540	13.82/13.72	.573	14.55	
9	.604/.600	15.34/15.24	.635	16.13	
10	.668/.664	16.97/16.87	.698	17.73	
11	.728/.724	18.49/18.39	.760	19.30	
13	.853/.849	21.67/21.56	.885	22.48	
16	1.030/1.026	26.16/26.06	1.075	27.31	
17	1.104/1.100	28.04/27.94	1.135	28.83	
19	1.235/1.231	31.37/31.27	1.260	32.00	
21	1.353/1.349	34.37/34.26	1.385	35.18	



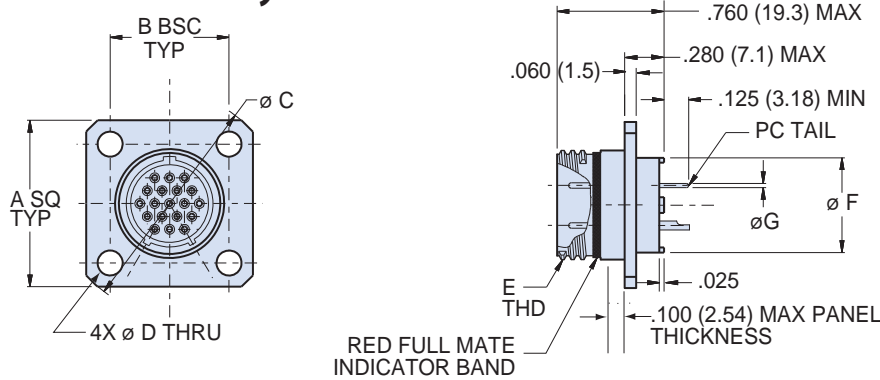
Dimensions in Inches (millimeters) are subject to change without notice.



# Series 801 Mighty Mouse Double-Start ACME Thread Hermetic Receptacle

## 801-012-02 Dimensions

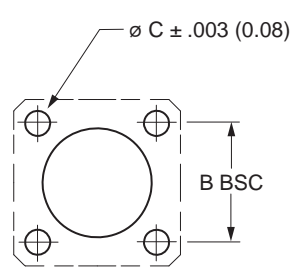
### Square Flange Mount - shell style 02



**Square Flange Mount Hermetic**  
**801-012-03**

Dimensions												
Shell Size	A Sq		B BSC		Ø C		Ø D		E Thread	Ø F		Ø G Tail Dia
	In.	mm.	In.	mm.	In.	mm.	In.	mm.		In.	mm.	
5	.530	13.46	.363	9.22	.680	17.27	.096/.091	2.44/2.31	.3125-.05P-.1L-2A	.244	6.20	#23
6	.590	14.99	.423	10.74	.750	19.05			.3750-.05P-.1L-2A	.330	8.38	.018/.022
7	.650	16.51	.483	12.27	.850	21.59			.4375-.05P-.1L-2A	.432	10.97	(0.46/0.56)
8	.712	18.08	.545	13.84	.938	23.83			.5000-.05P-.1L-2A	.493	12.52	#20
9	.850	21.59	.607	15.42	1.125	28.58	.130/.126	3.30/3.20	.5625-.05P-.1L-2A	.551	14.00	.024/.028
10	.890	22.61	.670	17.02	1.188	30.18			.6250-.05P-.1L-2A	.620	15.75	(0.61/0.71)
11	.935	23.75	.715	18.16	1.250	31.75			.6875-.05P-.1L-2A	.662	16.81	#16
13	1.030	26.16	.812	20.62	1.375	34.93			.8125-.1P-.2L-2A	.703	17.86	.060/.064
16	1.219	31.96	.981	24.92	1.625	41.28			1.0000-.1P-.2L-2A	.863	21.92	(1.52/1.63)
17	1.280	32.51	1.060	26.92	1.700	43.18			1.0625-.1P-.2L-2A	.912	23.16	#12
19	1.432	36.37	1.191	30.25	1.900	48.26			1.1875-.1P-.2L-2A	1.018	25.86	.092/.096
21	1.565	39.75	1.322	33.58	2.100	53.34			1.3125-.1p-.2l-2a	1.170	29.72	(2.34/2.44)

Series 801 Panel Cutout				
Shell Size	B BSC		Ø C	
	In.	mm.	In.	mm.
5	.363	9.22	.096/.091	2.44/2.31
6	.423	10.74		
7	.483	12.27		
8	.545	13.84		
9	.607	15.42	.130/.126	3.30/3.20
10	.670	17.02		
11	.715	18.16		
13	.812	20.62		
16	.981	24.92		
17	1.060	26.92		
19	1.171	29.74		
21	1.322	33.58		



Dimensions in Inches (millimeters) are subject to change without notice.



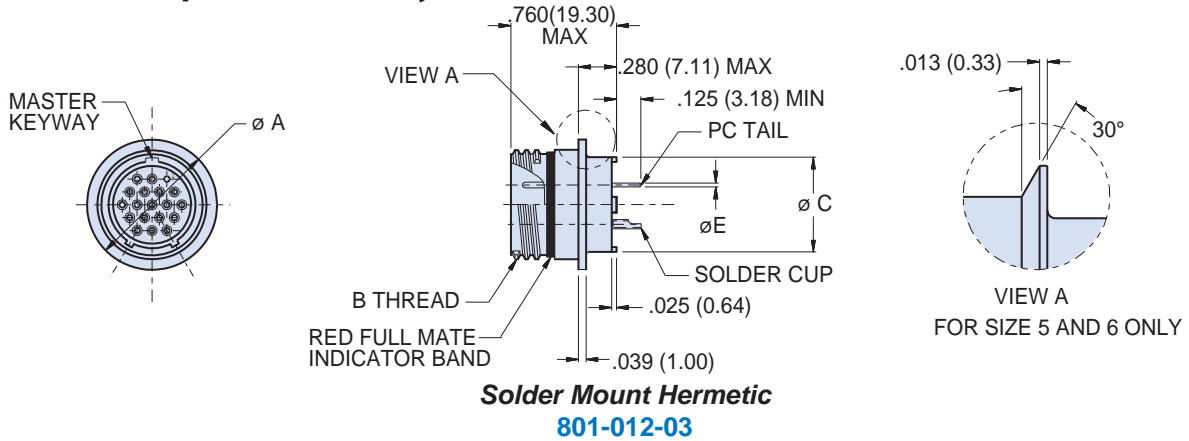
# Series 801 Mighty Mouse Double-Start ACME Thread Hermetic Receptacle

## 801-012 Shell Style -03 and -13 Dimensions



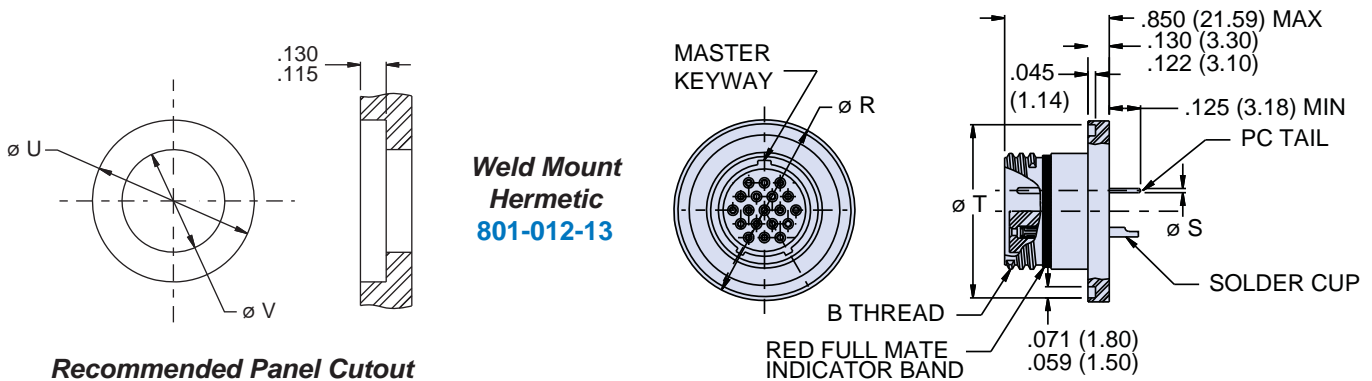
Series 801

### Solder Mount receptacle - shell style 03



Dimensions													
Shell Size	Ø A		B Thread	Ø C		Shell Size	Ø A		B Thread	Ø C		Ø E Tail Dia.	
	In.	mm.		In.	mm.		In.	mm.		In.	mm.	#23	#16
5	.395	10.03	.3125-.05P-.1L-2A	.244	6.20	11	.770	19.56	.6875-.05P-.1L-2A	.662	16.81	#23	#16
6	.455	11.56	.375-.05P-.1L-2A	.330	8.38	13	.895	22.73	.8125-.1P-.2L-2A	.703	17.86	.018/.022	.060/.064
7	.520	13.21	.4375-.05P-.1L-2A	.432	11.97	16	1.080	27.43	1.000-.1P-.2L-2A	.863	21.92	(0.46/0.56)	(1.52/1.63)
8	.580	14.73	.5000-.05P-.1L-2A	.493	12.52	17	1.145	29.08	1.062-.1P-.2L-2A	.912	23.16	#20	#12
9	.645	16.38	.5625-.05P-.1L-2A	.551	14.00	19	1.270	32.26	1.1875-.1p-.2L-2A	1.018	25.86	.024/.028	.092/.096
10	.705	18.01	.6250-.05P-.1L-2A	.620	15.75	21	1.395	35.43	1.3125-.1p-.2L-2A	1.170	29.72	(0.61/0.71)	(2.34/2.44)

### Weld Mount receptacle - shell style 13



Recommended Panel Cutout

Dimensions													
SHELL SIZE	B THREAD	Ø R ±.002	Ø T	Ø U	Ø V	SHELL SIZE	B THREAD	Ø R ±.002	Ø T	Ø U	Ø V	Ø S	
5	.3125-.05P-.1L-2A	0.600 (15.24)	0.555 (14.10)	.606 (15.39)	.180 (4.57)	11	.6875-.05P-.1L-2A	1.062 (26.97)	1.019 (25.88)	1.068 (27.13)	.580 (14.73)	#23	#16
6	.375-.05P-.1L-2A	0.665 (16.89)	0.620 (15.75)	.671 (17.04)	.240 (8.38)	13	.8125-.1P-.2L-2A	1.162 (29.51)	1.119 (28.42)	1.168 (29.67)	.610 (15.49)	.018/.022	.060/.064
7	.4375-.05P-.1L-2A	0.730 (18.54)	0.685 (17.40)	.736 (18.69)	.330 (6.10)	16	1.0000-.1P-.2L-2A	1.288 (32.72)	1.245 (31.62)	1.294 (32.87)	.775 (19.69)	(0.46/0.56)	(1.52/1.63)
8	.5000-.05P-.1L-2A	0.788 (20.02)	0.745 (18.92)	.794 (20.17)	.390 (9.91)	17	1.0625-.1P-.2L-2A	1.360 (34.54)	1.315 (33.40)	1.366 (34.70)	.825 (20.96)	#20	#12
9	.5625-.05P-.1L-2A	0.912 (23.16)	0.869 (22.07)	.918 (23.32)	.455 (11.56)	19	1.1875-.1P-.2L-2A	1.495 (37.97)	1.452 (36.88)	1.501 (38.13)	.930 (23.62)	.024/.028	.092/.096
10	.6250-.05P-.1L-2A	0.975 (24.77)	0.933 (23.70)	.981 (24.92)	.520 (13.21)	21	1.3125-.1P-.2L-2A	1.625 (41.28)	1.580 (40.13)	1.631 (41.43)	1.080 (27.43)	(0.61/0.71)	(2.34/2.44)

Dimensions in Inches (millimeters) are subject to change without notice.



# Series 801 Mighty Mouse Double-Start ACME Thread Bulkhead Feed-Thru Receptacle

## 801-074 Ordering Information



**Series 801 Bulkhead Feed-Thru Receptacle** is available in shell sizes 5 to 21 and mates with all high density plug connectors with the same polarization and opposite contact genders. Copper alloy gold-plated contacts, pin to pin, pin to socket or socket to socket. Your choice of standard aluminum alloy or stainless steel and seven standard finishes (see below). Please contact the factory for other materials and finishes.

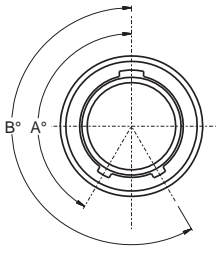
### How To Order

Sample Part Number	801-074	-07	M	6-7	P	P	A
Series	801-074 = Feed-Thru Receptacle						
Shell Style	-07 = Jam Nut						
Material and Finish	M = Aluminum / Electroless Nickel RoHS Compliant MT = Aluminum / Nickel-PTFE RoHS Compliant NF = Aluminum / Cadmium with Olive Drab Chromate ZNU = Aluminum / Zinc-Nickel with Black Chromate Z1 = Stainless Steel / Passivated RoHS Compliant						
Shell Size - Insert Arrangement	See Contact Arrangements page D-2						
Contact Type Jam Nut Side	P = Pin S = Socket						
Contact Type Other Side	P = Pin S = Socket						
Shell Key Positions (See Table I)	A = Normal B = Pos. B C = Pos. C D = Pos. D E = Pos. F F = Pos. F						

D

Table I: Key Positions

	A°	B°
A	150°	210°
B	75°	210°
C	95°	230°
D	140°	275°
E	75°	275°
F	95°	210°



Dimensions in Inches (millimeters) are subject to change without notice.

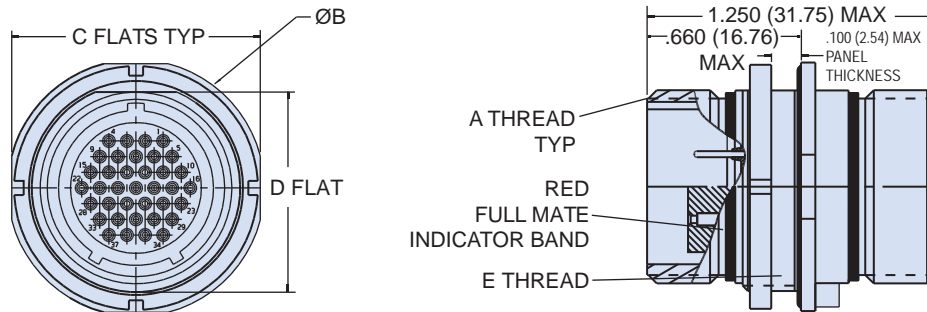
# Series 801 Mighty Mouse Double-Start ACME Thread Bulkhead Feed-Thru Receptacle

## 801-074 Dimensions



Series 801

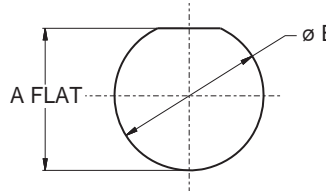
### Jam nut mount receptacle - shell style 07



Dimensions								
Shell Size	A Thread	E Thread	Ø B		C Flat		D Flat	
			In.	mm.	In.	mm.	In.	mm.
5	.3125-.05P-.1L-2A	.3750-28 UN-2A	.575	14.61	.545	13.84	.350	8.89
6	.3750-.05P-.1L-2A	.4375-28 UNEF-2A	.635	16.13	.595	15.11	.410	10.41
7	.4375-.05P-.1L-2A	.5625-32 UN-2A	.755	19.18	.723	18.36	.536	13.61
8	.5000-.05P-.1L-2A	.5625-32 UN-2A	.755	19.18	.723	18.36	.536	13.61
9	.5625-.05P-.1L-2A	.6250-28 UN-2A	.830	21.08	.790	20.07	.596	15.14
10	.6250-.05P-.1L-2A	.6875-28 UN-2A	.890	22.61	.855	21.72	.658	16.71
11	.6875-.05P-.1L-2A	.7500-28 UN-2A	.960	24.38	.925	23.50	.718	18.24
13	.8125-.1P-.1L-2A	.8750-28 UN-2A	1.078	27.38	1.044	26.52	.845	21.46
16	1.0000-.1P-.1L-2A	1.0625-20 UN-2A	1.264	32.11	1.230	31.24	1.022	25.96
17	1.0625-.1P-.1L-2A	1.1250-28 UN-2A	1.325	33.66	1.290	32.77	1.096	27.84
19	1.0625-.1P-.1L-2A	1.2500-28 UN-2A	1.450	36.83	1.415	35.94	1.227	31.17
21	1.3125-.1P-.1L-2A	1.3750-28 UN-2A	1.625	41.28	1.577	40.06	1.347	34.21



Series 801 Jam Nut Panel Cutout					
Shell Size	A Flat		Ø B		mm.
	In.	mm.	In.	mm.	
5	.356	9.04	.385	9.78	
6	.416	10.57	.448	11.38	
7	.542	13.77	.573	14.55	
8	.542	13.77	.573	14.55	
9	.602	15.29	.635	16.13	
10	.666	16.92	.698	17.73	
11	.724	18.39	.760	19.30	
13	.851	21.62	.885	22.48	
16	1.028	26.11	1.075	27.31	
17	1.102	27.99	1.135	28.83	
19	1.233	31.32	1.260	32.00	
21	1.351	34.32	1.385	35.18	



Dimensions in Inches (millimeters) are subject to change without notice.



# Series 801 Mighty Mouse Double-Start ACME Thread Sav-Con® Saver

## 801-017 Ordering Information



**Glenair Sav-Con® Connector Savers** are designed to protect connectors that are subject to repeated mating and unmating cycles. Sav-Con® Connector Savers prevent costly repair or replacement of expensive connectors while preserving the quality and integrity of the connector by absorbing connect and disconnect abuse.

**Protect Equipment.** Equipment connectors that are mated frequently during manufacturing, test, check-out phases and environmental test programs can be protected by Glenair Sav-Con® Connector Savers.

**Prolong the Service Life of Test Cables.** Glenair Sav-Con® Connector Savers mated to test-cable connectors take the punishment of repetitive matings and unmatings.

D

### How To Order

Sample Part Number	801-017	M	6-7	P	A
<b>Series</b>	801-017 = Series 801 Connector Saver				
<b>Material and Finish</b>	<b>C</b> = Aluminum / Black Anodize (Non-Conductive) RoHS Compliant <b>M</b> = Aluminum / Electroless Nickel RoHS Compliant <b>NF</b> = Aluminum / Cadmium with Olive Drab Chromate <b>ZN</b> = Aluminum / Zinc-Nickel with Olive Drab Chromate <b>Z1</b> = Stainless Steel / Passivated RoHS Compliant				
<b>Shell Size - Insert Arrangement</b>	See Contact Arrangements page D-2				
<b>Contact Type</b>	<b>P</b> = Pin Contact on Plug Side, Socket Contact on Receptacle Side <b>S</b> = Socket Contact on Plug Side, Pin Contact on Receptacle Side				
<b>Shell Key Positions (See Table I)</b>	<b>A</b> = Normal <b>B</b> = Pos. B <b>C</b> = Pos. C <b>D</b> = Pos. D <b>E</b> = Pos. F <b>F</b> = Pos. F				

Table I: Key Positions

	A°	B°
<b>A</b>	150°	210°
<b>B</b>	75°	210°
<b>C</b>	95°	230°
<b>D</b>	140°	275°
<b>E</b>	75°	275°
<b>F</b>	95°	210°

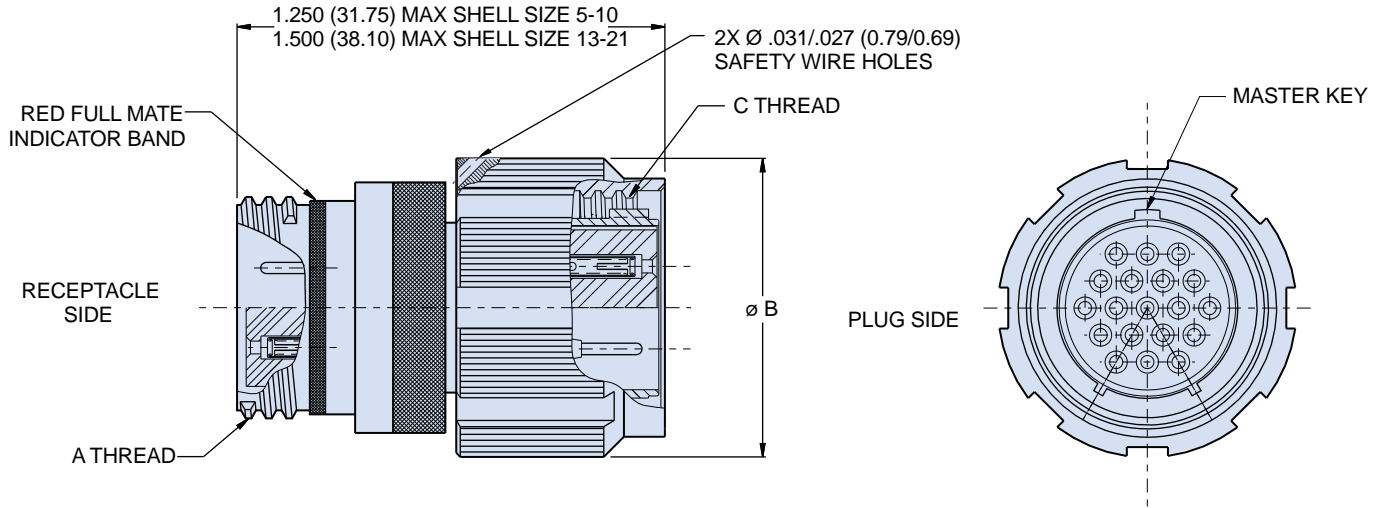
Dimensions in Inches (millimeters) are subject to change without notice.

# Series 801 Mighty Mouse Double-Start ACME Thread Sav-Con® Saver 801-017 Dimensions



Series 801

## Sav-Con® connector Saver



Dimensions				
Shell Size	A Threads	B Threads	Ø C	
			In.	mm.
5	.3125-.05P-.1L-2A	.3125-.05P-.1L-2B	.540	13.72
6	.375-.05P-.1L-2A	.375-.05P-.1L-2B	.600	15.24
7	.4375-.05P-.1L-2A	.4375-.05P-.1L-2B	.680	17.27
8	.5000-.05P-.1L-2A	.5000-.05P-.1L-2B	.750	19.05
9	.5625-.05P-.1L-2A	.5625-.05P-.1L-2B	.810	20.57
10	.6250-.05P-.1L-2A	.6250-.05P-.1L-2B	.880	22.35
11	.6875-.05P-.1L-2A	.6875-.05P-.1L-2B	.920	23.37
13	.8125-.1P-.2L-2A	.8125-.1P-.2L-2B	1.050	26.67
16	1.000-.1P-.2L-2A	1.000-.1P-.2L-2B	1.240	31.50
17	1.062-.1P-.2L-2A	1.062-.1P-.2L-2B	1.300	33.02
19	1.1875-.1P-.2L-2A	1.1875-.1P-.2L-2B	1.400	35.56
21	1.3125-.1p-.2l-2A	1.3125-.1P-.2l-2B	1.550	39.37

### NOTES

#### Materials and Finishes

- Shells, jam nuts: aluminum alloy or stainless steel
- Contacts: copper alloy, 50 µinch gold plated
- Insulators: liquid crystal polymer (lcp)
- Seal: fluorosilicone rubber

D

Dimensions in Inches (millimeters) are subject to change without notice.



## Series 801 Mighty Mouse Double Start ACME Thread Overmolded Harsh Environment Cordsets

### General Information

## Series 801 Harsh Environment Shielded Cordsets



High performance Mighty Mouse cordsets feature easy ordering and fast delivery. These fully shielded and watertight assemblies withstand abrasion, temperature extremes and chemicals. Flexible overmolding provides rugged, watertight protection to wire and shield. Two styles are available: **Style 1** polyamide overmold and polyurethane cable jacket, and **Style 2** improved temperature range, high flexibility thermoplastic rubber overmold and cable jacket. Overmolded Mighty Mouse cordsets are suitable for military gear and other hostile environments where interconnect reliability and survivability is essential.

### Product Features

- Single-ended or double-ended
- Rugged, watertight construction
- 100% electrically tested
- Flexible to -55°C. (Style 2)
- Stainless steel shield termination band
- Resistant to chemicals
- Withstands UV and ozone

D

## High-Speed Cordsets

Controlled impedance twisted pair cordsets for Ethernet, USB and other protocols are available. Please refer to Section U

### Harsh Environment Cordset Selection Guide

Property	Style 1 Polyurethane Jacket Polyamide Overmold	Style 2 Rubber Jacket Rubber Overmold
Cable jacket	Thermoplastic polyurethane (TPU), black	Thermoplastic elastomer (TPV), black
Overmold	Polyamide, black	Thermoplastic elastomer (TPV), black
Operating temperature	-30° C. to +105° C.	-55° C. to +135° C.
Flexibility	Good	Excellent
Water Resistance	Waterproof	Waterproof
Solvent Resistance, Cable Jacket	Excellent	Good
Solvent Resistance, Overmold	Fair <sup>(1)</sup>	Good
Weatherability	Excellent	Excellent
Abrasion Resistance	Excellent	Good
Flammability	Flame retardant UL 94 V-0	Flame retardant UL 94 HB
Low Smoke, Zero Halogen Cable Jacket	Yes	No

(1) Excellent resistance to most solvents, fuels, and oils; poor resistance to strong acids and bipolar solvents (alcohol)

### Specifications

Cable jacket	Style 1: thermoplastic polyurethane, black, low-smoke, zero-halogen Style 2: thermoplastic elastomer, black
Overmold	Style 1: polyamide Style 2: thermoplastic elastomer, black
Cable shield	Tin-coated copper braid, 90% minimum coverage
Conductors	Silver coated stranded wire, TFE insulated, per M22759/11
Shield Termination	Band-Master™ ATS stainless steel shield termination band
Current rating	#23 5 amps, #20 7.5 amps, #16 13 amps, #12 23 amps
Test voltage (DWV)	#23 750 Vac, #20 1000 vac, #16 and #12 1800 VAC sea level
Insulation resistance	200 Megohms minimum
Shielding effectiveness	50 dB minimum from 100MHz to 1000MHz.

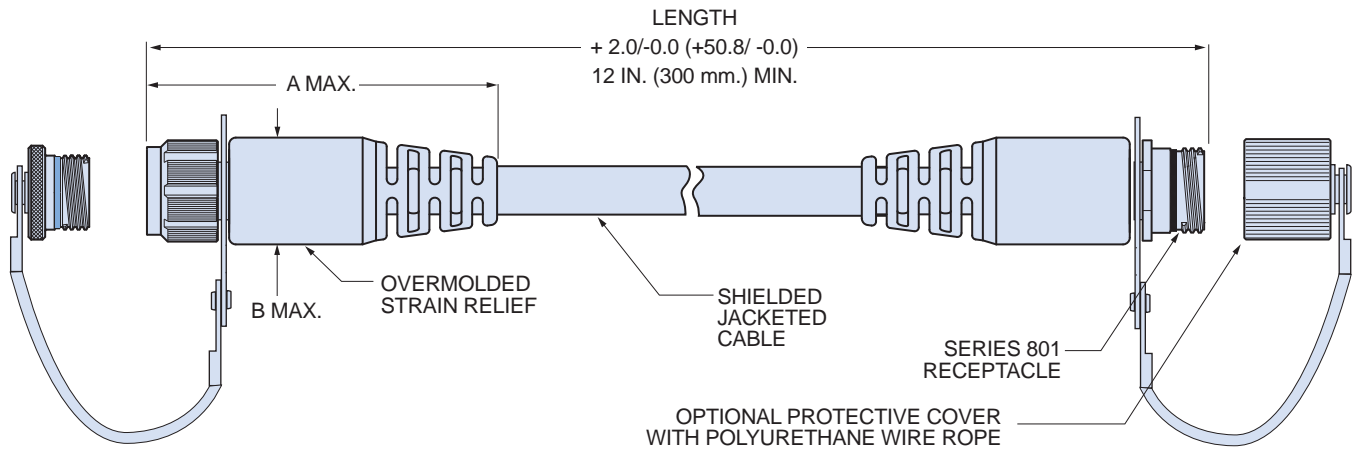
Dimensions in Inches (millimeters) are subject to change without notice.

# Series 801 Mighty Mouse Double Start ACME Thread Overmolded Harsh Environment Cordsets

## Dimensions



Series 801



D

Dimensions				
Shell Size	A Max.		B Max.	
	In.	mm.	In.	mm.
5	2.31	58.67	0.50	12.70
6	2.4	60.96	0.55	13.97
7	2.5	63.50	0.65	16.51
8	2.52	64.01	0.71	18.03
9	2.8	71.12	0.78	19.81
10	2.75	69.85	0.82	20.83
11	2.85	72.39	0.87	22.10
13	3.1	78.74	0.90	22.86
16	3.4	86.36	1.10	27.94
17	3.4	86.36	1.20	30.48

### NOTES

1. Double-ended cordsets are wired pin #1 to pin #1, #2 to #2, and so on.
2. Wires are silver-coated stranded copper with TFE insulation, 600V, in accordance with M22759/11.
3. Wire color is white.

Dimensions in Inches (millimeters) are subject to change without notice.



## Series 801 Mighty Mouse Double Start ACME Thread Overmolded Harsh Environment Cordsets

### 801-026, -070, -034, and -071 Ordering Information

D

Series 801 Cordsets with #23 Contacts								
Sample Part Number								
801-026	-A	C	4	M	8-28	N	A	-36
Series	End A Connector	End B Connector	Wire Size	Shell Material/ Finish	Insert Arr.	Protective Cover	Shell Key Pos.	Length
<b>801-026</b> <b>Style 1</b> Polyurethane Cable Jacket, Polyamide Overmold #23 Contacts	<b>-A</b> Plug, with Male Pin Contacts	<b>A</b> Plug, with Male Pin Contacts	<b>2</b> #22 AWG	<b>M</b> Aluminum / Electroless Nickel	See Cont. Arr. Page D-2	<b>P</b> Metal Protective Covers Included <b>N</b> No Covers Supplied	<b>A</b> Normal <b>B</b> Pos. B <b>C</b> Pos. C <b>D</b> Pos. D <b>E</b> Pos. E <b>F</b> Pos. F	Overall Length In Inches 12 Inch Min.
	<b>-B</b> Plug, with Female Socket Contacts	<b>B</b> Plug, with Female Socket Contacts	<b>4</b> #24 AWG	<b>NF</b> Aluminum / Cadmium with OD Chromate	Consult Factory for Combo Arr.			
<b>801-070</b> <b>Style 2</b> Rubber Cable Jacket and Rubber Overmold #23 Contacts	<b>-C</b> Receptacle, with Male Pin Contacts	<b>C</b> Receptacle, with Male Pin Contacts		<b>ZNU</b> Aluminum / Zinc- Nickel with Black Chromate				
	<b>-D</b> Receptacle, with Female Socket Contacts	<b>D</b> Receptacle, with Female Socket Contacts		<b>MT</b> Aluminum / Nickel-PTFE				
		<b>N</b> No Connector (Single-Ended)		<b>Z1</b> Stainless Steel / Passivated			See page D-2	

Series 801 Cordsets with #20HD Contacts								
Sample Part Number								
801-034	-A	C	0	M	8-28	N	A	-36
Series	End A Connector	End B Connector	Wire Size	Shell Material/ Finish	Insert Arr.	Protective Cover	Shell Key Pos.	Length
<b>801-034</b> <b>Style 1</b> Polyurethane Cable Jacket, Polyamide Overmold #20HD Contacts	<b>-A</b> Plug, with Male Pin Contacts	<b>A</b> Plug, with Male Pin Contacts	<b>0</b> #20 AWG	<b>M</b> Aluminum / Electroless Nickel	See Cont. Arr. Page D-2	<b>P</b> Metal Protective Covers Included <b>N</b> No Covers Supplied	<b>A</b> Normal <b>B</b> Pos. B <b>C</b> Pos. C <b>D</b> Pos. D <b>E</b> Pos. E <b>F</b> Pos. F	Overall Length In Inches 12 Inch Min.
	<b>-B</b> Plug, with Female Socket Contacts	<b>B</b> Plug, with Female Socket Contacts	<b>2</b> #22 AWG	<b>NF</b> Aluminum / Cadmium with OD Chromate	Consult Factory for Combo Arr.			
<b>801-071</b> <b>Style 2</b> Rubber Cable Jacket and Rubber Overmold #20HD Contacts	<b>-C</b> Receptacle, with Male Pin Contacts	<b>C</b> Receptacle, with Male Pin Contacts		<b>ZNU</b> Aluminum / Zinc- Nickel with Black Chromate				
	<b>-D</b> Receptacle, with Female Socket Contacts	<b>D</b> Receptacle, with Female Socket Contacts		<b>MT</b> Aluminum / Nickel-PTFE				
		<b>N</b> No Connector (Single-Ended)		<b>Z1</b> Stainless Steel / Passivated			See page D-2	

Dimensions in Inches (millimeters) are subject to change without notice.



# Series 801 Mighty Mouse Double Start ACME Thread Overmolded Harsh Environment Cordsets

## 801-031, -072, -032, and -073 Ordering Information



Series 801 Cordsets with #16 Power Contacts								
Sample Part Number								
801-031	-A	C	6	M	8-28	N	A	-36
Series	End A Connector	End B Connector	Wire Size	Shell Material / Finish	Insert Arr.	Protective Cover	Shell Key Pos.	Length
<b>801-031</b> <b>Style 1</b> Polyurethane Cable Jacket, Polyamide Overmold #16 contacts <b>801-072</b> <b>Style 2</b> Rubber Cable Jacket and Rubber Overmold #16 Contacts	-A Plug, with Male Pin Contacts	A Plug, with Male Pin Contacts	6 #16 AWG	M Aluminum / Electroless Nickel	See Cont. Arr. Page D-2	P Metal Protective Covers Included	A Normal	Overall Length In Inches 12 Inch Min.
	-B Plug, with Female Socket Contacts	B Plug, with Female Socket Contacts	8 #18 AWG	NF Aluminum / Cadmium with OD Chromate	Consult Factory for Combo Arr.	N No Covers Supplied	B Pos. B	
	-C Receptacle, with Male Pin Contacts	C Receptacle, with Male Pin Contacts		ZNU Aluminum / Zinc-Nickel with Black Chromate			C Pos. C	
	-D Receptacle, with Female Socket Contacts	D Receptacle, with Female Socket Contacts		MT Aluminum / Nickel-PTFE			D Pos. D	
		N No Connector (Single-Ended)		Z1 Stainless Steel / Passivated			E Pos. E	
							F Pos. F	
								See page D-2

Series 801 Cordsets with #12 Power Contacts								
Sample Part Number								
801-032	-A	C	2	M	8-28	N	A	-36
Series	End A Connector	End B Connector	Wire Size	Shell Material / Finish	Insert Arr.	Protective Cover	Shell Key Pos.	Length
<b>801-032</b> <b>Style 1</b> Polyurethane Cable Jacket, Polyamide Overmold #12 contacts <b>801-073</b> <b>Style 2</b> Rubber Cable Jacket and Rubber Overmold #12 Contacts	-A Plug, with Male Pin Contacts	A Plug, with Male Pin Contacts	2 #12 AWG	M Aluminum / Electroless Nickel	See Cont. Arr. Page D-2	P Metal Protective Covers Included	A Normal	Overall Length In Inches 12 Inch Min.
	-B Plug, with Female Socket Contacts	B Plug, with Female Socket Contacts	4 #14 AWG	NF Aluminum / Cadmium with OD Chromate	Consult Factory for Combo Arr.	N No Covers Supplied	B Pos. B	
	-C Receptacle, with Male Pin Contacts	C Receptacle, with Male Pin Contacts		ZNU Aluminum / Zinc-Nickel with Black Chromate			C Pos. C	
	-D Receptacle, with Female Socket Contacts	D Receptacle, with Female Socket Contacts		MT Aluminum / Nickel-PTFE			D Pos. D	
		N No Connector (Single-Ended)		Z1 Stainless Steel / Passivated			E Pos. E	
							F Pos. F	
								See page D-2

Dimensions in Inches (millimeters) are subject to change without notice.





# Series 801 Mighty Mouse Double Start ACME Thread Flexible, Lightweight Phantom Cable Cordsets

## General Information

### Series 801 Ultraflexible “Phantom Cable” Cordsets



Phantom Cable cordsets feature high-flex rubber-insulated wires, lightweight shield and overbraided jackets for maximum flexibility, reduced size and minimum weight. Flexible rubber overmold provides strain relief and environmental sealing. EMI shield options include high-strength, ultralightweight Amberstrand® nickel-coated composite braid, ArmorLite™ or lightweight, high flexibility tinned copper braid. Braid outer jackets are available with NOMEX®, HALAR® or PTFE-coated fiberglass.

#### Product Features

- Overbraided cable jacket for excellent flexibility
- Ultra-lightweight AmberStrand® EMI shield
- 100% electrically tested
- Flexible to -55°C.
- Stainless steel shield termination band

#### Application Note

Overbraided textile jackets are ideal for applications where flexibility and weight are important. However, water can penetrate through the jacket and cable shield. Dust and contamination can also become entrapped in the braid. Braided jackets are prone to fraying damage caused by snagging on velcro closures and MOLLE vests. Extruded cable jackets are recommended if debris entrapment, moisture ingress or fraying damage are concerns.

Dimensions in Inches (millimeters) are subject to change without notice.

Braid Shield Selection Guide			
Property	Amberstrand®	Armorlite®	Copper
Type	nickel-coated high-strength super fiber	Micro-filament nickel-coated stainless steel	Tin-coated copper
Weight/ft. (0.5 in. ID)	3.7 grams	4.4 grams	22.3 grams
Operating Temp <sup>(1)</sup>	-65° C to +200° C	-80° C to +260° C	-80° C to +150° C
Coverage	90% min.	90% min.	90% min.
Flexibility	Excellent	Excellent	Good
Cost Comparison	\$\$\$	\$\$	\$

(1) Rubber wires and rubber overmold are rated for -55° C to +135° C.

Jacket Selection Guide			
Property	NOMEX®	HALAR®	PTFE Coated Fiberglass
Color	Black or olive drab	Black	Tan
Operating Temp <sup>(1)</sup>	-55° C to +260° C	-73° C to +150° C	-75° C to +300° C
Chemical Resistance	Excellent	Excellent	Excellent
Flammability	Self-extinguishing, will not melt	Fire retardant UL VW-1	Self-extinguishing
Toxicity	Non-toxic	Non-toxic	Non-toxic
Flexibility	Excellent	Excellent	Excellent
Abrasion resistance	Excellent	Excellent	Excellent

(1) Rubber wires and rubber overmold are rated for -55° C to +135° C.

Specifications	
Cable jacket	NOMEX®, HALAR® or PTFE-coated fiberglass
Temperature Range	-55° C to +135° C
Overmold	Thermoplastic elastomer, black
Cable shield	AmberStrand®, ArmorLite® or tinned copper, 90% minimum coverage
Conductors	Silver coated stranded wire, rubber insulation
Shield Termination	Band-Master™ ATS stainless steel shield termination band
Current rating	5 amps
Test voltage (DWV)	500 Vac
Insulation resistance	200 Megohms minimum
Shielding effectiveness	50 dB minimum from 100MHz to 1000MHz.

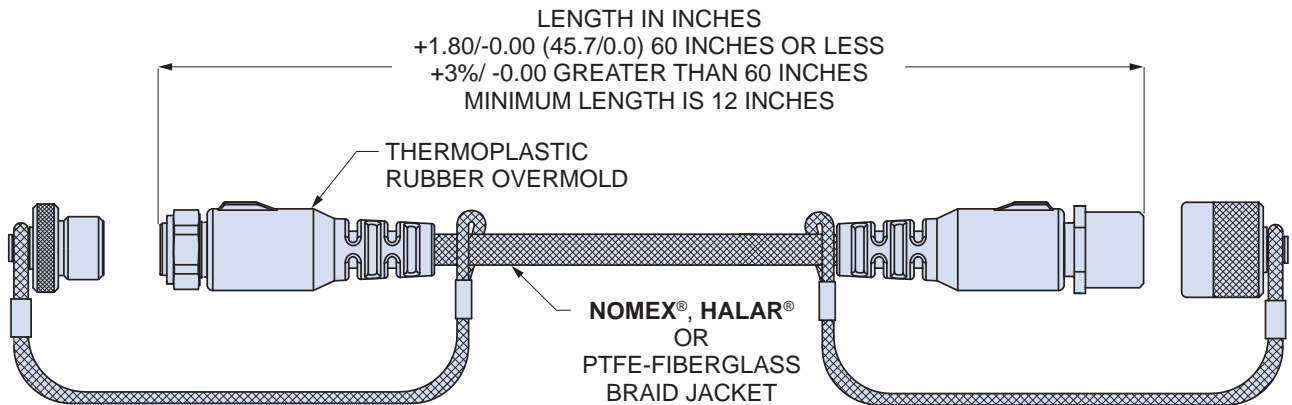
# Series 801 Mighty Mouse Double Start ACME Thread Flexible, Lightweight Phantom Cable Cordsets

## 801-065, -066, -067, -068 Ordering Information



Series 801

Series 801 "Phantom Cable" Cordsets size #12 thru #23 Contacts										
Sample Part Number										
801-065	-B	N	2	Z1	5-3	N	A	-60	C	N
Series	End A Connector	End B Connector	Wire Size	Shell Material/ Finish	Insert Arr.	Protective Cover	Shell Key Pos.	Length	Shield Option	Jacket Option
Size #23 Contacts <b>801-065</b> Phantom Cable Cordset	<b>-A</b> Plug, with Male Pin Contacts	<b>A</b> Plug, with Male Pin Contacts	Size #23 Contacts <b>4</b>	<b>M</b> Aluminum / Electroless Nickel	See Cont. Arr. Page D-2	<b>P</b> Metal Protective Covers Included	<b>A</b> Normal	Overall Length In Inches 12 Inch Min.	<b>A</b> Amberstrand	<b>D</b> Nomex, Olive Drab
Size #24 AWG <b>6</b>	<b>-B</b> Plug, with Female Socket Contacts	<b>B</b> Plug, with Female Socket Contacts	<b>#26 AWG</b>	<b>NF</b> Aluminum / Cadmium with OD Chromate	Consult Factory for Combo Arr.	<b>N</b> No Covers Supplied	<b>B</b> Pos. B		<b>B</b> Armorlite	<b>N</b> Nomex, Black
Size #26 AWG <b>8</b>	<b>-C</b> Rec. with Male Pin Contacts	<b>C</b> Rec. with Male Pin Contacts	Size #20 HD Contacts <b>0</b>	<b>ZNU</b> Aluminum / Zinc-Nickel with Black Chromate			<b>C</b> Pos. C		<b>C</b> Tin-Coated Copper	<b>H</b> Halar (Monofil)
Size #28 AWG <b>2</b>	<b>-D</b> Rec. with Female Socket Contacts	<b>D</b> Rec. with Female Socket Contacts	Size #20 AWG <b>2</b>	<b>MT</b> Aluminum / Nickel-PTFE			<b>D</b> Pos. D			<b>P</b> Peek (Monofil)
Size #16 Contacts <b>801-067</b> Phantom Cable Cordset		<b>N</b> No Connector (Single-Ended)	Size #16 Contacts <b>6</b>	<b>Z1</b> Stainless Steel / Passivated			<b>E</b> Pos. E			
			<b>#16 AWG</b>				<b>F</b> Pos. F			
			<b>8</b>				See page D-2			
			<b>#18 AWG</b>							
Size #12 Contacts <b>801-068</b> Phantom Cable Cordset			Size #12 Contacts <b>2</b>							
			<b>#12 AWG</b>							
			<b>4</b>							
			<b>#14 AWG</b>							



### NOTES

1. Double-ended cordsets are wired pin #1 to pin #1, #2 to #2, and so on.
2. Wires are silver-coated stranded copper with TPE insulation, 600V, UL VW-1 rated.
3. Wires are white with color stripe per MIL-STD-681. Wire #1 is WHT/BLK, wire #2 is WHT/BRN, etc.

Dimensions in Inches (millimeters) are subject to change without notice.

SERIES 80

# MIGHTY MOUSE



Series 802 "Aqua Mouse" delivers high-pressure sealing and rugged design in a miniature package



Originally developed for petroleum pipeline inspection equipment, Series 802 connectors are available in ten sizes from 1 to 130 contacts and equipped with Viton® O-rings to withstand exposure to corrosive chemicals and high temperature environments. These connectors feature high density crimp Mighty Mouse inserts, 316 stainless steel or marine bronze shells and a "piston" O-ring for hydrostatic sealing. Series 802 insulated wire, panel mount receptacles can be ordered as square flange, in-line or jam-nut versions. Choose integral shield termination platform or accessory thread for use with a variety of strain relief options. Crimp style gold-plated crimp contacts accept #12-30 wire. Printed circuit board receptacles come with factory installed solder cup contacts (non-removable) or PC tails. Connectors are backfilled with epoxy potting compound. Hermetic glass-sealed connectors come with solder cup contacts (non-removable) or PC tails. Choose Jam-nut, square flange or weld mount versions. 100% tested to meet  $1 \times 10^{-7}$  cc/sec helium leakage. Open face pressure rating 1000 PSI.



Glenair, Inc.  
1211 Air Way  
Glendale, CA  
91201-2497  
818-247-6000  
sales@glenair.com  
www.glenair.com

Series 802 AquaMouse™  
3500 PSI Submersibles  
Table of Contents and Introduction



**PRODUCT SELECTION GUIDE**



**Series 802 Plugs**

AquaMouse™ plugs are available in two versions. Select integral molding/banding platform for direct attachment of cable shield and overmolds without the need for an adapter. Or choose plugs with rear accessory thread for attachment of cable sealing backshells. Crimp contacts are packaged with connectors.

**Page E-6**



**Series 802 Receptacles**

Available jam nut, square flange and in-line versions make it easy to find a style for every application. The integral shield termination platform can be used for overmolding, or select accessory threads for attachment of backshells or strain reliefs. Contacts are crimp-type and are packaged with the connector.

**Page E-8**



**Series 802 Receptacles for PCB or Solder Cup Termination**

These panel mount connectors feature gold plated, factory-installed PC tail contacts or solder cup contacts. Contacts are non-removable. Connectors are backfilled with epoxy potting compound.

**Page E-12**



**Series 802 Hermetic Receptacles**

These stainless steel, glass-sealed connectors are available with solder cup or PC tail contacts. Choose jam nut, square flange or weld mount versions. Contacts are gold plated iron alloy. 100% tested to meet  $1 \times 10^{-7}$  cc/sec helium leakage. Open face pressure rating 1000 PSI.

**Page E-16**



**Series 802 Bulkhead Feed-Thru**

These stainless steel, glass-sealed connectors are available with solder cup or PC tail contacts. Choose jam nut, square flange or weld mount versions. Contacts are gold plated iron alloy. 100% tested to meet  $1 \times 10^{-6}$  cc/sec helium leakage. Open face pressure rating 1000 PSI.

**Page E-21**



**Series 802 Cordsets**

Specify overmolded cordsets for optimum convenience and performance. Low smoke zero-halogen polyurethane offers excellent abrasion and chemical resistance. Choose polyamide overmold for medium duty low pressure applications, or select thermoset polyurethane overmold for maximum performance and 2500 PSI rating.

**Page E-23**

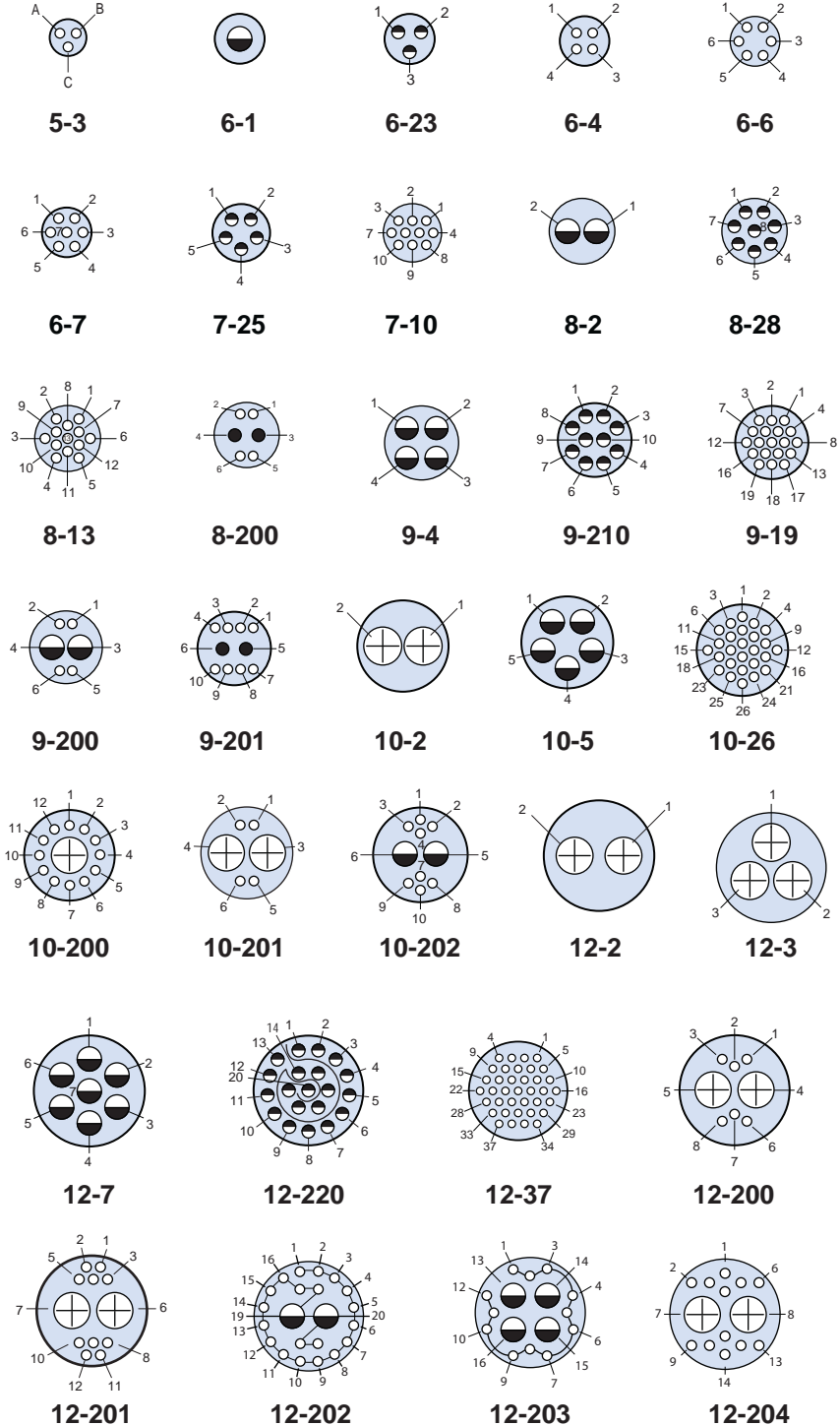
Dimensions in Inches (millimeters) are subject to change without notice.



# Series 802 AquaMouse™ 3500 PSI Submersible s Contact Arrangements

Contact Arrangements					
Contact Arr.	No. of Contacts				
	#23	#20	#20HD	#16	#12*
5-3	3				
6-1				1	
6-23			3		
6-4	4				
6-6	6				
6-7	7				
7-25			5		
7-10	10				
8-2				2	
8-28			8		
8-13	13				
8-200	4	2			
9-4				4	
9-210			10		
9-19	19				
9-200	4			2	
9-201	8	2			
10-2					2
10-5				5	
10-26	26				
10-200	12				1
10-201	4				2
10-202	8			2	
12-2					2
12-3					3
12-7				7	
12-220			20		
12-37	37				
12-200	6				2
12-201	10				2
12-202	20			2	
12-203	23			4	
12-204	12				2
12-205	4				4
14-5					5
14-12				12	
14-235			35		
14-55	55				

## Mating Face View of Pin Connector (socket connector numbers are reversed)



\*All arrangements with #12 contacts available with keyed Twinax contacts. Use mode code -688

### Contact Legend

#23◦ #20HD◐ #20● #16◑ #12⊕

Dimensions in Inches (millimeters) are subject to change without notice.

# Series 802 AquaMouse™ 3500 PSI Submersible s Contact Arrangements



Series 802

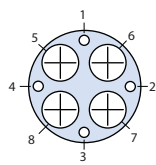
Contact Arrangements					
Contact Arr.	No. of Contacts				
	#23	#20	#20HD	#16	#12*
14-204	40			2	
14-205	32			4	
14-206	34				2
14-207	20				4
15-7					7
15-14				14	
15-241			41		
15-85	85				
15-203	40			4	
15-204	28				4

\*All arrangements with #12 contacts available with keyed Twinax contacts. Use mode code -688

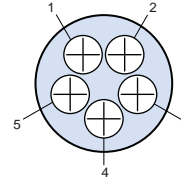
### Contact Legend

#23° #20HD° #20● #16◐ #12⊕

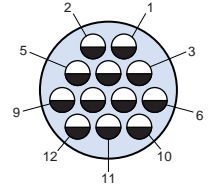
### Mating Face View of Pin Connector (socket connector numbers are reversed)



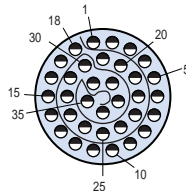
12-205



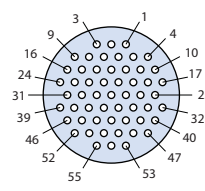
14-5



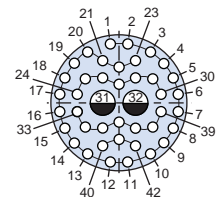
14-12



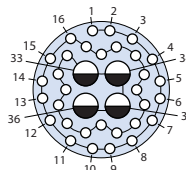
14-235



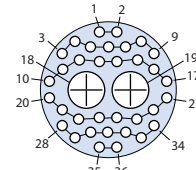
14-55



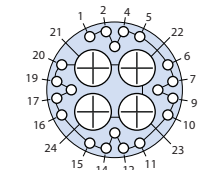
14-204



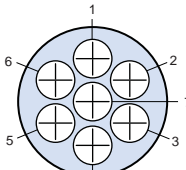
14-205



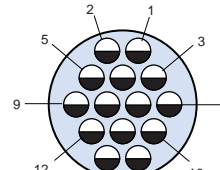
14-206



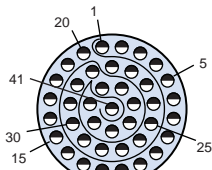
14-207



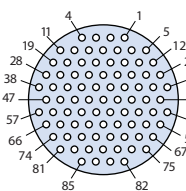
15-7



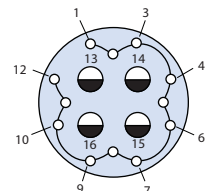
15-14



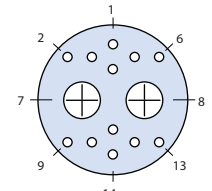
15-241



15-85

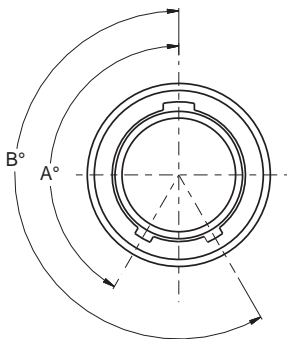


15-203



15-204

### Series 802 Plug Key Positions



Key Position	Key Rotation	
	A°	B°
Normal (A)	150°	210°
B	75°	210°
C	95°	230°
D	140°	275°
E	75°	275°
F	9°	210°

Shell size 21 continued on following page

Dimensions in Inches (millimeters) are subject to change without notice.

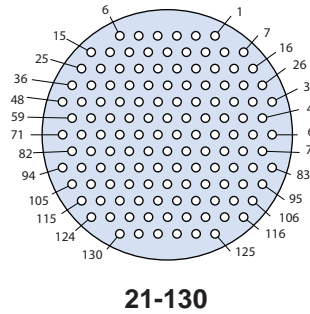
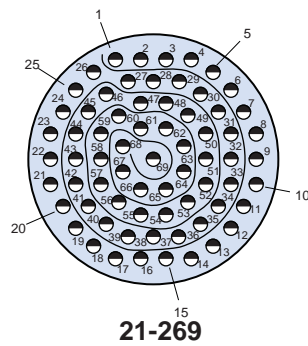
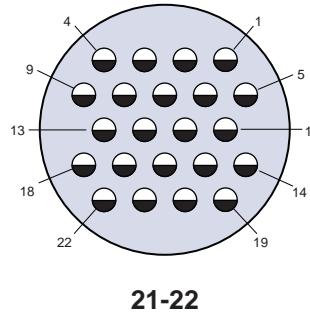
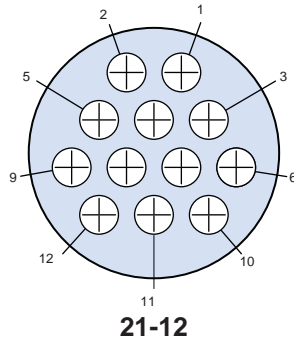


Contact Arrangements					
Contact Arr.	No. of Contacts				
	#23	#20	#20HD	#16	#12*
21-12					12
21-22				22	
21-269			69		
21-200	28				

\*All arrangements with #12 contacts available with keyed Twinax contacts. Use mode code -688

### Contact Legend

#23 ◦ #20HD ◐ #20 ● #16 ◑ #12 ⊕



Dimensions in Inches (millimeters) are subject to change without notice.

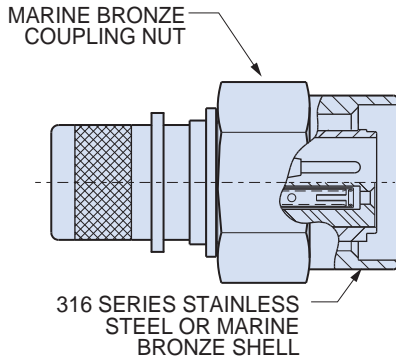




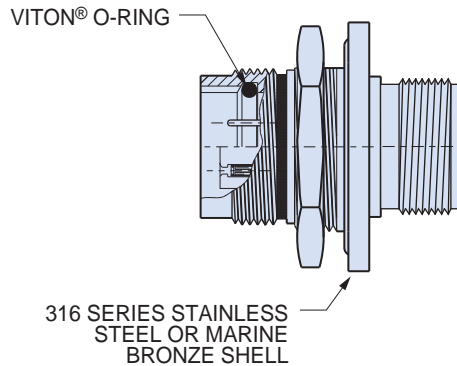
Series 802 AquaMouse™  
3500 PSI Submersible s  
General Information



Series 802



Series 802 Plug



Series 802 Receptacle

**Stainless Steel or Marine Bronze**

Available in ten sizes from 1 to 130 contacts, Series 802 connectors feature 316 stainless steel or marine bronze shells. Viton® o-rings resist high temperature and corrosive chemicals.

**3500 psi**

These connectors withstand up to 3500 PSI hydrostatic pressure in a mated condition. Hermetic versions withstand 1000 PSI open face pressure.

## Glenair's Series 802 AquaMouse™ Delivers High-Pressure Sealing and Rugged Design in a Miniature Package

Originally developed for petroleum pipeline inspection equipment, Series 802 connectors withstand exposure to corrosive environments and high pressure. These connectors feature high density crimp Mighty Mouse inserts, 316 stainless steel or marine bronze shells and a "piston" O-ring for hydrostatic sealing. Gold-plated contacts accept #12-30 AWG wire. Printed circuit board receptacles are available, along with hermetic receptacles.



Specifications	
Current Rating	#23-5 A, #20-7.5 A, #16-13 A, #12-23 A
Dielectric Withstanding Voltage	#23-750 VAC, #20HD-1000VAC, #16 and #12-1800 VAC
Insulation Resistance	5000 megohms minimum
Operating Temperature	-65° C. to +175° C.
Hydrostatic Pressure	3500 PSI mated, 1000 PSI open face (hermetic)
Shock	300 g.
Vibration	37 g.
Durability	2000 mating cycles

Materials and Finishes	
Shells, Jam Nuts	316 stainless steel or marine bronze
Coupling Nuts	Marine bronze, unplated
Contacts	Copper alloy, 50 µlnch gold plated. Socket hood: stainless steel, passivated. Hermetic pin contacts: Nickel-Iron alloy per ASTM-F-30, 50 µlnch gold plated.
Insulators	Liquid crystal polymer (LCP), 30% glass-filled
Contact Retention Clip	Beryllium copper alloy
Interfacial Seal, O-rings	Viton Rubber
Interfacial seal, rear grommet	Fluorosilicone rubber, blue
O-rings	Viton®

Dimensions in Inches (millimeters) are subject to change without notice.



# Series 802 AquaMouse™ Submersible Plug

## 802-008 and 802-009 Ordering Information



**Stainless Steel or Marine Bronze Shell** withstands corrosion in the most hostile environments. Rated for 3500 PSI when mated, these connectors are suitable for the most demanding geophysical and underwater applications.

**Gold-Plated Contacts** attach to wire

with standard mil spec crimp tools. Contacts are packaged with connectors.

**Two Shell Styles:** Integral platform for direct shield attachment using Band-Master™ ATS termination system, or accessory thread for attaching accessories.

How To Order						
Sample Part Number		802-009	-06	Z1	9-19	S A
Series (See Table I)	802-008 = Plug with Banding/ Molding Platform 802-009 = Plug with Accessory Thread					
Shell Style	-06 = Plug					
Shell Material and Finish	Z1 = Stainless Steel/Passivated RoHS Compliant ZM = Stainless Steel/ Electroless Nickel Plated AB = Marine Bronze					
Shell Size - Insert Arrangement	See Contact Arrangements page E-2					
Contact Type	<b>Connector supplied with contacts</b> P = Pin S = Socket Connectors with contacts are supplied with signal and/or power crimp contacts. These contacts are not installed. Coaxial contacts and non-standard signal contacts are ordered separately.		<b>Connector supplied without contacts</b> A = Pin Connector, less contacts B = Socket Connector, less contacts			
Shell Key Positions (See Table II)	A = Normal B = Pos. B C = Pos. C D = Pos. D E = Pos. E F = Pos. F					

E

Table I: Series	
<b>802-008</b> Hex Plug with Banding/Molding Platform	<b>802-009</b> Hex Plug with Accessory Thread

Table II: Key Positions		
Key Position	Key Rotation	
	A°	B°
Normal (A)	150°	210°
B	75°	210°
C	95°	230°
D	140°	275°
E	75°	275°
F	95°	210°

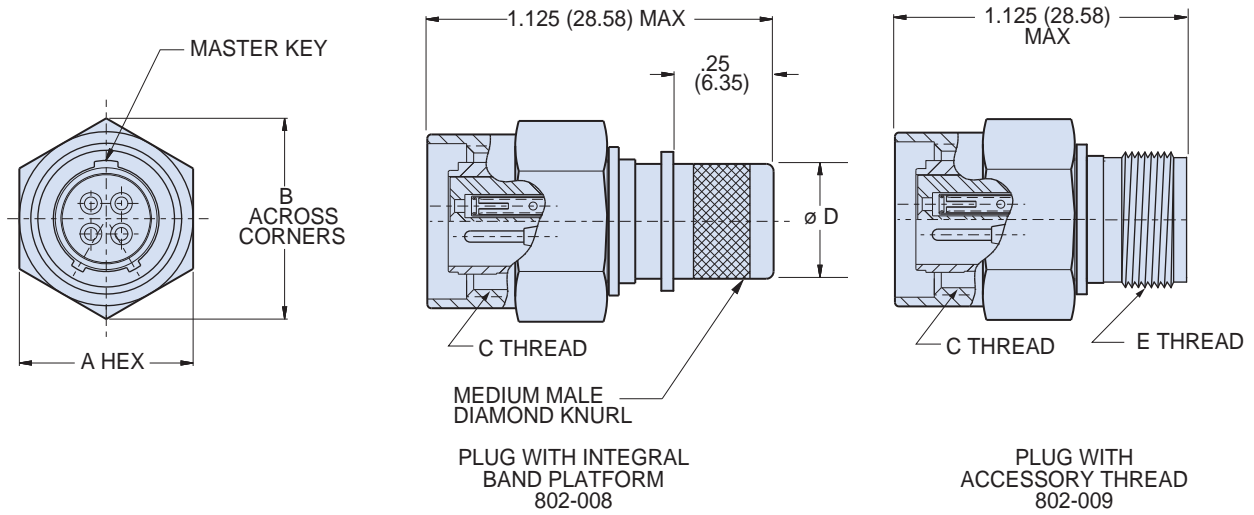
Dimensions in Inches (millimeters) are subject to change without notice.

Series 802 AquaMouse™ Submersible Plug  
802-008-06 and 802-009-06 Dimensions



Series 802

**Plug connector**



Dimensions								
Shell Size	A Hex		B.		C Thread	Ø D		E Threads Accessory
	In.	mm.	In.	mm.		In.	mm.	
5	.500	12.70	.56	14.2	.438-28 UNEF	.232	5.9	.2500-32 UNEF
6	.625	15.88	.72	18.3	.562-20 UN	.312	7.9	.3125-32 UNEF
7	.688	17.48	.78	19.8	.625-20 UN	.375	9.5	.4375-28 UNEF
8	.750	19.05	.86	21.8	.687-20 UN	.438	11.1	.5000-28 UNEF
9	.812	20.62	.93	23.6	.750-20 UNEF	.500	12.7	.5625-24 UNEF
10	.875	22.23	1.00	25.4	.812-20 UNEF	.562	14.3	.6250-24 UNEF
12	.938	23.83	1.06	26.9	.875-20 UNEF	.656	16.7	.6875-24 UNEF
14	1.125	28.58	1.25	31.8	1.062-20 UN	.812	20.6	.8750-20 UNEF
15	1.188	30.18	1.32	33.5	1.125-20 UN	.885	22.4	.9375-20 UNEF
21	1.562	39.67	1.70	43.2	1.438-20 un	1.188	30.2	1.250-18 UNEF

Dimensions in Inches (millimeters) are subject to change without notice.





# Series 802 AquaMouse™ Submersible Receptacle

## 802-010 and 802-011 Ordering Information



**Jam Nut, Rear Mount**



**Square Flange**

**Three Shell Mounting Options:** Jam nut with o-ring for rear panel mounting, square flange for front panel mounting, or in-line receptacles for free-hanging cables.

**Two Shell Styles:** Choose the integral band platform for direct attachment of a cable shield. Install a boot, or overmold a boot over the band platform. An accessory thread is available for attaching strain reliefs and backshells.

### How To Order

Sample Part Number	802-011	-02	Z1	10-26	P	B						
Series (See Table I)	<b>802-010</b> = Receptacle with Banding Platform <b>802-011</b> = Receptacle with Accessory Thread											
Shell Style (See Table II)	<b>-01</b> = In-Line <b>-02</b> = Square Flange for Front Panel Mounting <b>-07</b> = Jam Nut for Rear Panel Mounting											
Shell Material and Finish	<b>Z1</b> = Stainless Steel/Passivated RoHS Compliant <b>ZM</b> = Stainless Steel/Electroless Nickel Plated <b>AB</b> = Marine Bronze/Unplated											
Shell Size - Insert Arrangement	See Contact Arrangements Page E-2											
Contact Type	<table border="0"> <tr> <td><b>Connector supplied with contacts</b></td> <td><b>Connector supplied without contacts</b></td> </tr> <tr> <td><b>P</b> = Pin</td> <td><b>A</b> = Pin Connector, less contacts</td> </tr> <tr> <td><b>S</b> = Socket</td> <td><b>B</b> = Socket Connector, less contacts</td> </tr> </table> <p>Connectors with contacts are supplied with signal and/or power crimp contacts. These contacts are not installed. Coaxial contacts and non-standard signal contacts are ordered separately.</p>						<b>Connector supplied with contacts</b>	<b>Connector supplied without contacts</b>	<b>P</b> = Pin	<b>A</b> = Pin Connector, less contacts	<b>S</b> = Socket	<b>B</b> = Socket Connector, less contacts
<b>Connector supplied with contacts</b>	<b>Connector supplied without contacts</b>											
<b>P</b> = Pin	<b>A</b> = Pin Connector, less contacts											
<b>S</b> = Socket	<b>B</b> = Socket Connector, less contacts											
Shell Key Positions (See Table III)	<b>A</b> = Normal <b>B</b> = Pos. B <b>C</b> = Pos. C <b>D</b> = Pos. D <b>E</b> = Pos. E <b>F</b> = Pos. F See Keyway Positions Page E3											

**Table I: Series**

<b>802-010</b> Receptacle with Banding Platform	<b>802-011</b> Receptacle with Accessory Thread

**Table II: Shell Style**

<b>-01</b> In-Line	<b>-02</b> Square Flange	<b>-07</b> Jam Nut for Rear Panel Mounting

Dimensions in Inches (millimeters) are subject to change without notice.

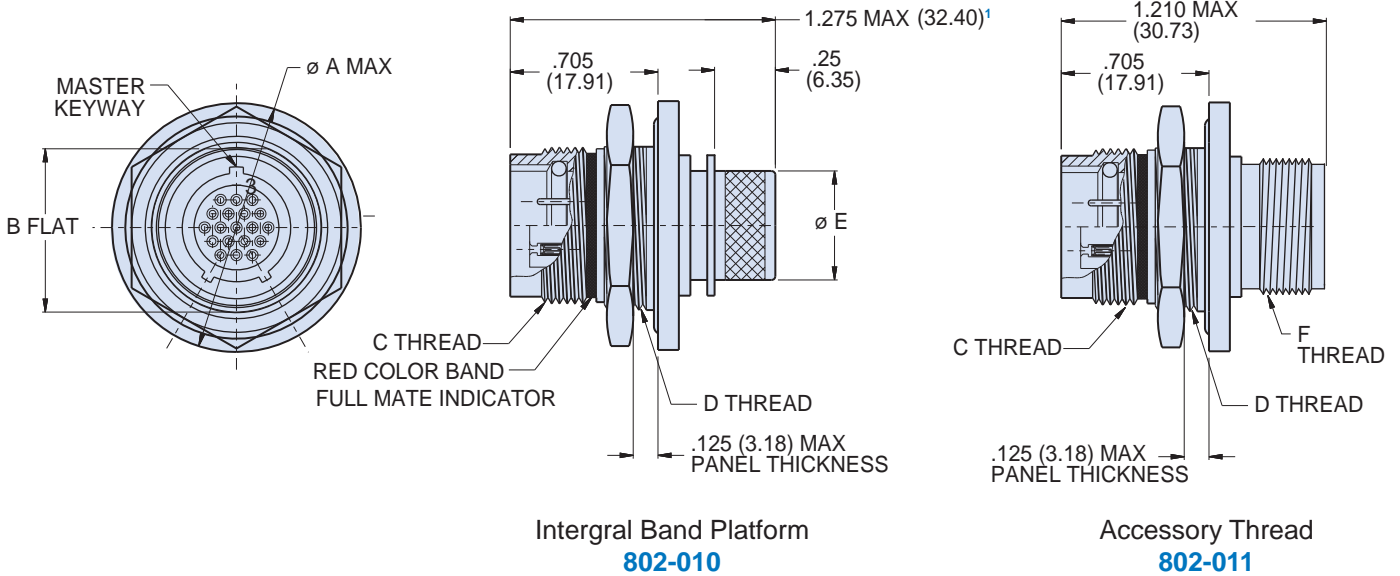
# Series 802 AquaMouse™ Submersible Receptacle

## 802-010-07 and 802-011-07 Dimensions



Series 802

### Jam nut, rear panel mount - Shell style 07



Shell Size	Dimensions								Panel Cutout Dimensions				
	A Max.		B Flat		C Mating Threads	D Jam Nut Threads	Ø E		F Accessory Threads	G Flat		Ø H	
	In.	mm.	In. ±.003	mm. ±0.08			In.	mm.		In. ±.003	mm. ±0.08	In.	mm.
5	.885	22.48	.466	11.84	.4375-28 UNEF	.5000-32 UN-2A	.232	5.90	.2500-32 UNEF-2A	0.479/0.474	12.17/12.04	.510	12.95
6	1.010	25.65	.591	15.01	.5625-20 UN	.6250-28 UN-2A	.312	7.92	.3125-32 UNEF-2A	0.604/0.599	15.34/15.21	.635	16.13
7	1.072	27.23	.653	16.59	.6250-20 UN	.6875-28 UN-2A	.375	9.53	.4375-28 UNEF-2A	0.666/0.661	16.92/16.79	.697	17.70
8	1.135	28.83	.729/1.725	18.52/18.41	.6875-20 UN	.7500-28 UN-2A	.438	11.13	.5000-28 UNEF-2A	0.737/0.733	18.72/18.62	.760	19.30
9	1.195	30.35	.778	19.76	.7500-20 UNEF	.8125-28 UN-2A	.500	12.70	.5625-24 UNEF-2A	0.791/0.786	20.09/19.96	.822	20.88
10	1.260	32.00	.827	21.01	.8125-20 UNEF	.8750-28 UN-2A	.562	14.27	.6250-24 UNEF-2A	0.84/0.835	21.34/21.21	.885	22.48
12	1.322	33.58	.890	22.61	.8750-20 UNEF	.9375-28 UN-2A	.656	16.66	.6875-24 UNEF-2A	0.903/0.898	22.94/22.81	.948	24.08
14	1.510	38.25	1.077	27.36	1.0625-20 UN	1.1250-28 UN-2A	.812	20.62	.8750-20 UNEF-2A	1.09/1.085	27.69/27.56	1.135	28.83
15	1.572	39.93	1.140	28.96	1.1250-20 UN	1.1875-28 UN-2A	.885	22.40	.9375-20 UNEF-2A	1.153/1.148	29.29/29.16	1.198	30.43
21	1.940	49.28	1.467/1.463	37.26/37.16	1.4375-20 UN	1.5000-28 UN-2A	1.188	30.18	1.2500-20 UNEF-2A	1.478/1.471	37.54/37.36	1.510	39.12

### NOTES

- Grommet protrudes for power/combo/#8 arrangements.

Dimensions in Inches (millimeters) are subject to change without notice.

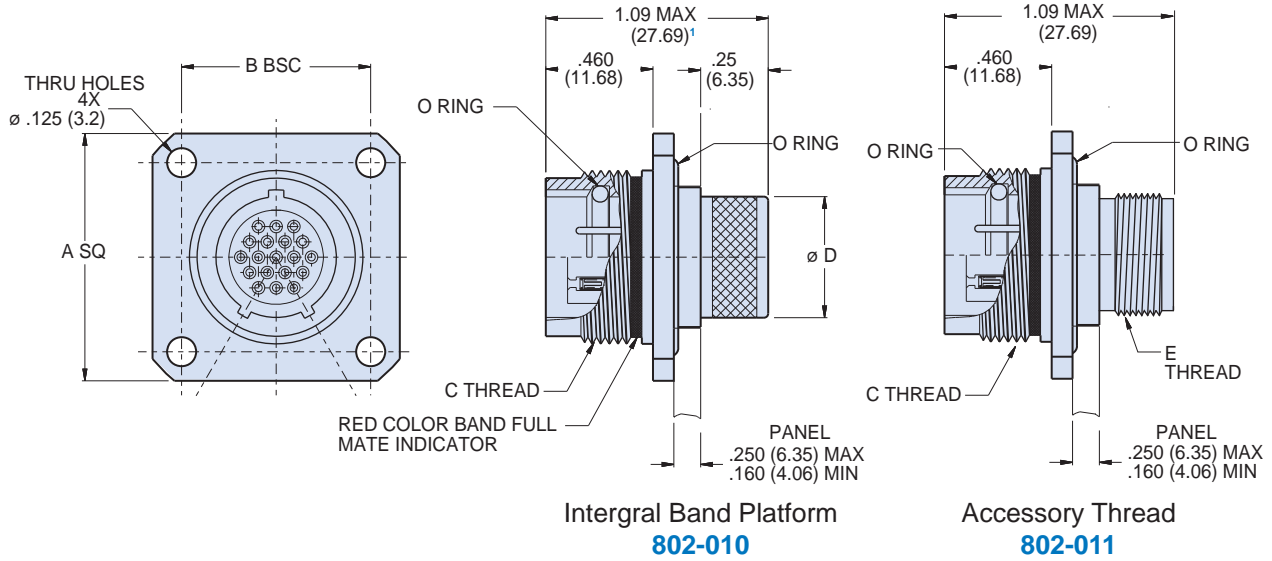
E



# Series 802 AquaMouse™ Submersible Receptacle

## 802-010-02 and 802-011-02 Dimensions

### Square flange front panel mount receptacle - shell style 02



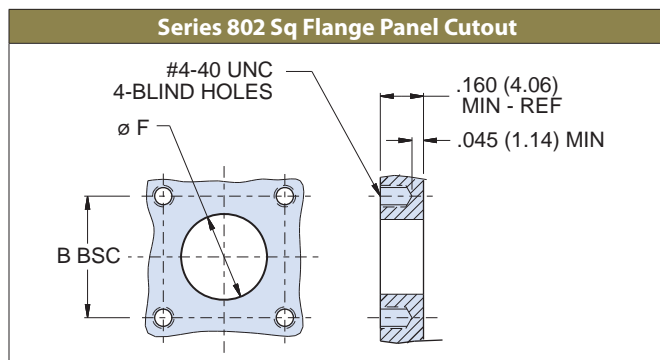
E

Dimensions										
Shell Size	A Square		B Bsc.		C Mating Threads	Ø D		E Accessory Threads	Ø F	
	In.	mm.	In.	mm.		In.	mm.		In.	mm.
5	.885	22.48	.500	12.70	.4375-28 UNEF	.232	5.90	.250-32 UNEF-2A	.327	8.31
6	1.010	25.65	.625	15.88	.5625-20 UN	.312	7.92	.312-32 UNEF-2A	.390	9.91
7	1.072	27.23	.688	17.48	.6250-20 UN	.375	9.53	.438-28 UNEF-2A	.515	13.08
8	1.135	28.83	.750	19.05	.6875-20 UN	.438	11.13	.500-28 UNEF-2A	.577	14.66
9	1.195	30.35	.812	20.62	.7500-20 UNEF	.500	12.70	.562-24 UNEF-2A	.640	16.26
10	1.260	32.00	.875	22.23	.8125-20 UNEF	.562	14.27	.625-24 UNEF-2A	.702	17.83
12	1.323	33.60	.938	23.83	.8750-20 UNEF	.656	16.66	.688-24 UNEF-2A	.765	19.43
14	1.510	38.25	1.125	28.58	1.0625-20 UN	.812	20.62	.875-20 UNEF-2A	.953	24.21
15	1.573	39.95	1.188	30.18	1.1250-20 UN	.885	22.40	.938-20 UNEF-2A	1.015	25.78
21	1.750	44.45	1.375	34.93	1.4375-20 UN	1.188	30.18	1.250-20 UNEF-2A	1.312	33.32

Piston O-ring replacement	
Shell size	Flange Style 02 O-ring P/N
5	2-012
6	2-014
7	2-015
8	2-016
9	2-017
10	2-018
12	2-019
14	2-022
15	2-023
21	2-028

#### NOTES

- Grommet protrudes for power/combo/#8 arrangements.



Dimensions in Inches (millimeters) are subject to change without notice.

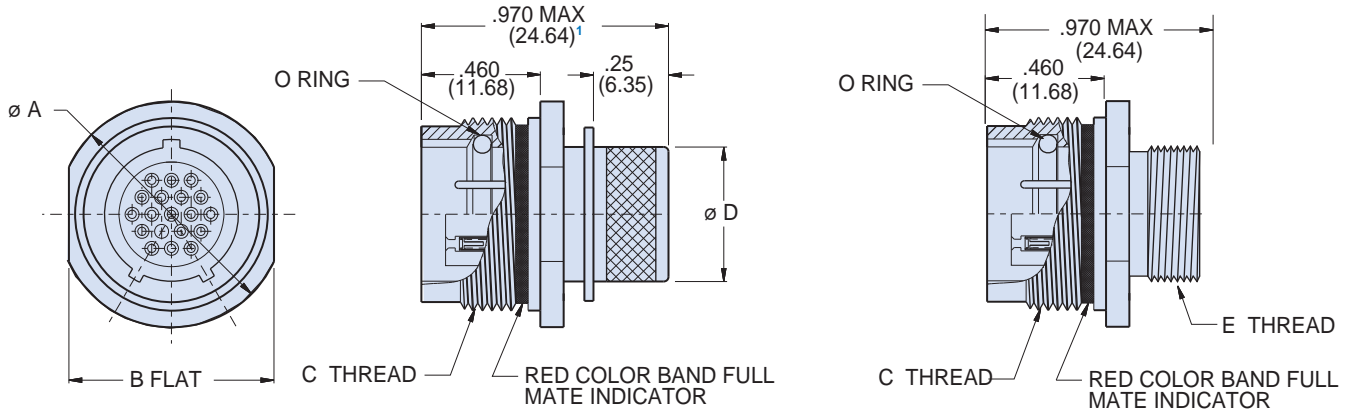
# Series 802 AquaMouse™ Submersible Receptacle

## 802-010-01 and 802-011-01 Dimensions



Series 802

### In-line receptacle - shell style 01



Integral Band Platform  
**802-010**

Accessory Thread  
**802-011**

Dimensions								
Shell Size	Ø A		B Flats		C Mating Threads	Ø D		E Accessory Threads
	In.	mm.	In.	mm.		In.	mm.	
5	.560	14.22	.500	12.70	.4375-28 UNEF	.232	5.90	.250-32 UNEF-2A
6	.720	18.29	.625	15.88	.5625-20 UN	.312	7.92	.312-32 UNEF-2A
7	.780	19.81	.688	17.48	.6250-20 UN	.375	9.53	.438-28 UNEF-2A
8	.860	21.84	.750	19.05	.6875-20 UN	.438	11.13	.500-28 UNEF-2A
9	.930	23.62	.812	20.62	.7500-20 UNEF	.500	12.70	.562-24 UNEF-2A
10	1.000	25.40	.875	22.23	.8125-20 UNEF	.562	14.27	.625-24 UNEF-2A
12	1.060	26.92	.938	23.83	.8750-20 UNEF	.656	16.66	.688-24 UNEF-2A
14	1.250	31.75	1.125	28.58	1.0625-20 UN	.812	20.62	.875-20 UNEF-2A
15	1.320	33.53	1.188	30.18	1.1250-20 UN	.885	22.40	.938-20 UNEF-2A
21	1.690	42.93	1.562	39.67	1.4375-20 UN	1.188	30.18	1.250-20 UNEF-2A

Piston O-ring replacement	
Shell size	Piston O-ring P/N
5	2-009
6	5-052
7	5-012
8	5-212
9	2-014
10	2-015
12	2-016
14	2-019
15	2-020
21	2-023

### NOTES

1. Grommet protrudes for power/combo/#8 arrangements.
- 2.

Dimensions in Inches (millimeters) are subject to change without notice.





## Series 802 AquaMouse™ Submersible Solder Cup or PCB Receptacle

### 802-012 and 802-030 Ordering Information

**Printed Circuit Board/ Solder Cup Receptacles** feature low profile shells for minimum protrusion inside enclosures and integral standoffs for board washout. Contacts are non-removable.



#### Water Immersion, Unmated

Specify **802-012** connectors for applications where open face water immersion is not a requirement. For MIL-STD-810 Method 512G immersion requirements, specify **802-030** watertight connectors. These 802-030 connectors are specially sealed ("MOD-518") and are 100% tested to maintain a helium leak rate of  $1 \times 10^{-4}$  cc/second at one atmosphere pressure differential from -40C to +70C.

#### How To Order

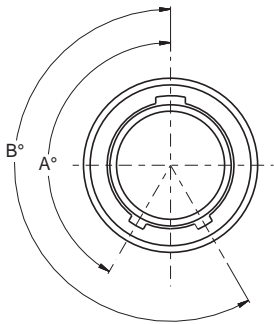
Sample Part Number	802-012	-00	Z1	9-200	P	A
Series	<b>802-012</b> = Receptacle for Solder Cup or PCB Termination, with Standard Epoxy Potting <b>802-030</b> = Receptacle for Solder Cup or PCB Termination, with Special "MOD-518" Sealing for Open Face (Unmated) Water Immersion Requirements. 100% Leak Tested.					
Shell Style (See Table I)	<b>-00</b> = Jam Nut for Front Panel Mounting <b>-02</b> = Square Flange for Front Panel Mounting <b>-07</b> = Jam Nut for Rear Panel Mounting					
Shell Material and Finish	<b>Z1</b> = Stainless Steel / Passivated RoHS Compliant <b>ZM</b> = Stainless Steel/Electroless Nickel Plated <b>AB</b> = Marine Bronze/Unplated					
Shell Size - Insert Arrangement	See Contact Arrangements page E-2					
Contact Type	<b>P</b> = Pin		<b>E</b> = Pin, Solder Cup			
	<b>S</b> = Socket		<b>F</b> = Socket, Solder Cup			
Shell Key Position (See Table II)	<b>A</b> = Normal <b>B</b> = Pos. B <b>C</b> = Pos. C <b>D</b> = Pos. D <b>E</b> = Pos. E <b>F</b> = Pos. F					

Table I: Shell Style

<b>-00</b> Jam Nut for Front Panel Mounting	<b>-02</b> Square Flange	<b>-07</b> Jam Nut for Rear Panel Mounting

Table II: Key Positions

Key Position	Key Rotation	
	A°	B°
A Normal	150°	210°
B	75°	210°
C	95°	230°
D	140°	275°
E	75°	275°
F	9°	210°



Dimensions in Inches (millimeters) are subject to change without notice.

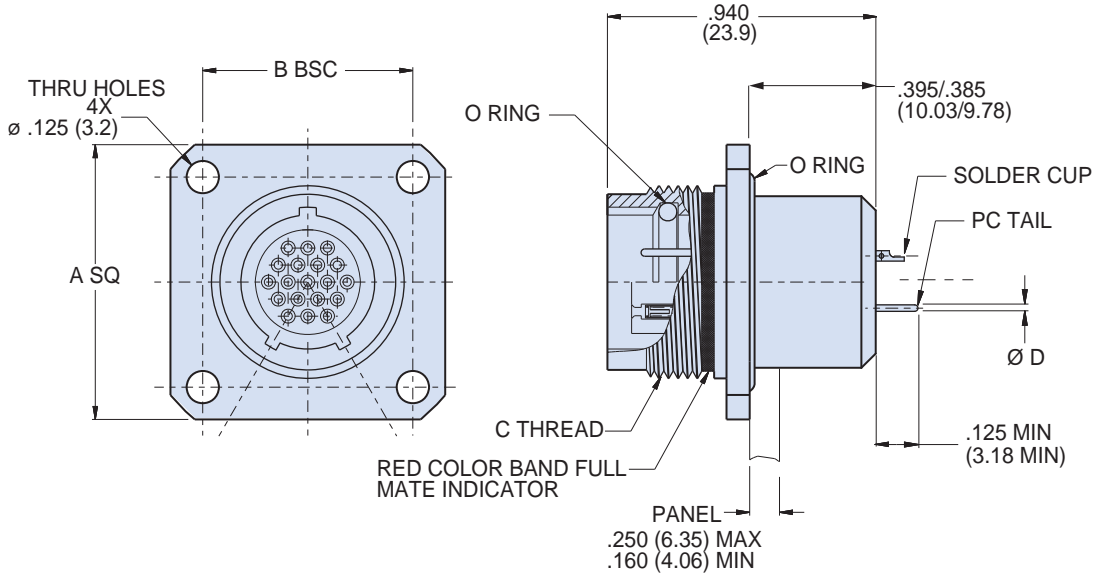


Series 802 AquaMouse™ Submersible  
Solder Cup or PCB Receptacle  
802-012-02 and 802-030-02 Dimensions

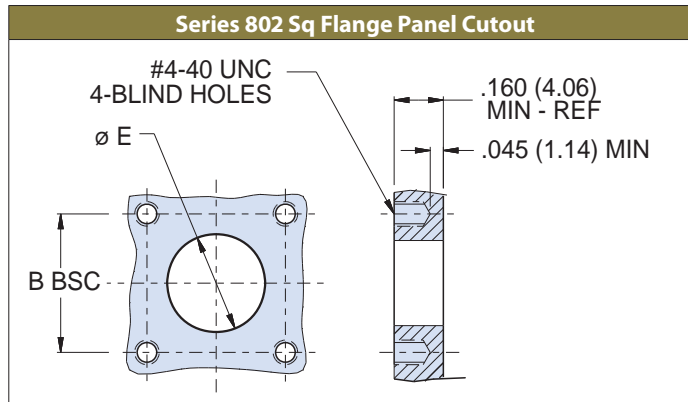


Series 802

**Square flange front panel mount receptacle - shell style 02**



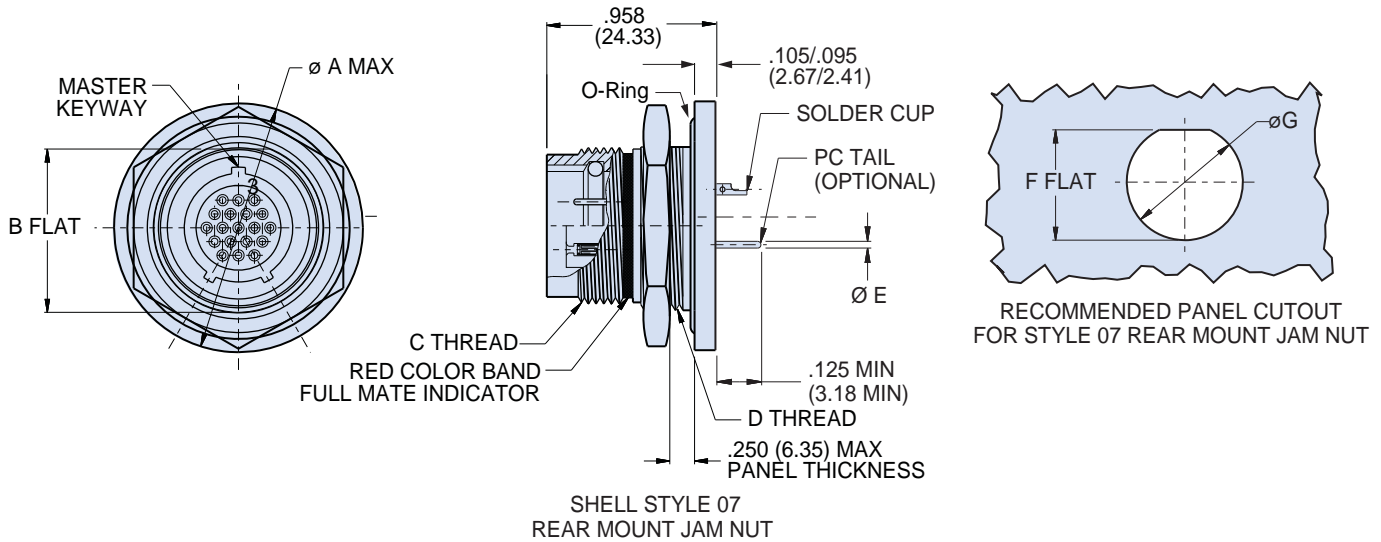
Shell Size	A Square		B Bsc.		C Mating Threads	$\varnothing D$ Tail Dia.	$\varnothing E$	
	In.	mm.	In.	mm.			In.	mm.
5	.885	22.48	.500	12.70	.4375-28 UNEF	#23 .018/.022 (0.46/0.56)	.327	8.31
6	1.010	25.65	.625	15.88	.5625-20 UN		.390	9.91
7	1.072	27.23	.688	17.48	.6250-20 UN		.515	13.08
8	1.135	28.83	.750	19.05	.6875-20 UN	#20 .024/.028 (0.61/0.71)	.577	14.66
9	1.195	30.35	.812	20.62	.7500-20 UNEF		.640	16.26
10	1.260	32.00	.875	22.23	.8125-20 UNEF	#16 .060/.064 (1.52/1.63)	.702	17.83
12	1.323	33.60	.938	23.83	.8750-20 UNEF		.765	19.43
14	1.510	38.25	1.125	28.58	1.0625-20 UN	#12 .092/.096 (2.34/2.44)	.953	24.21
15	1.573	39.95	1.188	30.18	1.1250-20 UN		1.015	25.78
21	1.750	44.45	1.375	34.93	1.4375-20 UN		1.312	33.32



Dimensions in Inches (millimeters) are subject to change without notice.



### Rear panel mount jam nut receptacle - shell style 07



Dimensions

Shell Size	Ø A Max.		B Flat		C Mating Threads	D Threads	Ø E Tail Dia.	F Flat		Ø G			
	In.	mm.	In. ± .003	mm. ±0.08				In. ± .003	mm. ±0.08	In.	mm.	In.	mm.
5	.885	22.48	.466	11.84	.4375-28 UNEF	.5000-32 UN-2A	#23	.477	12.12	.510	12.95		
6	1.010	25.65	.591	15.01	.5625-20 UN	.6250-28 UN-2A	.018/.022 (0.46/0.56)	.602	15.29	.635	16.13		
7	1.072	27.23	.653	16.59	.6250-20 UN	.6875-28 UN-2A	#20	.664	16.87	.697	17.70		
8	1.135	28.83	.716	18.19	.6875-20 UN	.7500-28 UN-2A	.024/.028 (0.61/0.71)	.727	18.47	.760	19.30		
9	1.195	30.35	.778	19.76	.7500-20 UNEF	.8125-28 UN-2A	#16	.789	20.04	.822	20.88		
10	1.260	32.00	.827	21.01	.8125-20 UNEF	.8750-28 UN-2A	.060/.064 (1.52/1.63)	.838	21.29	.885	22.48		
12	1.322	33.58	.890	22.61	.8750-20 UNEF	.9375-28 UN-2A	#12	.901	22.89	.948	24.08		
14	1.510	38.25	1.077	27.36	1.0625-20 UN	1.1250-28 UN-2A	.092/.096 (2.34/2.44)	1.088	27.64	1.135	28.83		
15	1.572	39.93	1.140	28.96	1.1250-20 UN	1.1875-28 UN-2A		1.151	29.24	1.198	30.43		
21	1.940	49.28	1.463/1.467	37.16/37.26	1.4375-20 UN	1.500-28 UN-2A		1.473	37.41	1.510	39.12		

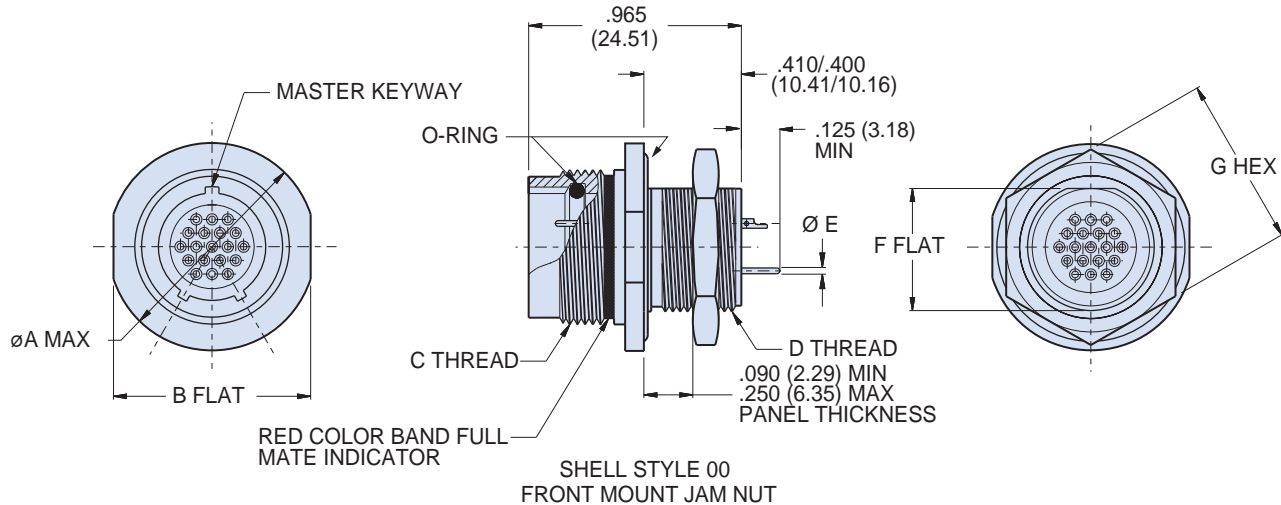
Dimensions in Inches (millimeters) are subject to change without notice.

Series 802 AquaMouse™ Submersible  
Solder Cup or PCB Receptacle  
802-012-00 and 802-030-00 Dimensions



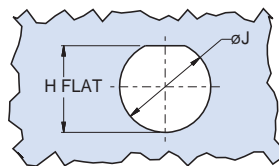
Series 802

**Front panel mount jam nut receptacle - shell style 00**



Dimensions											
Shell Size	Ø A Max.		B Flat		C Mating Threads	D Threads	Ø E Tail Dia.	F Flat		G Hex	
	In.	mm.	In.	mm.				In.	mm.	In.	mm.
5	.72	18.29	.625	15.88	.4375-28 UNEF-2A	.312-28 UN-2A	#23 (0.46/0.56)	.281	7.14	.500	12.70
6	.78	19.81	.750	19.05	.5625-20 UN-2A	.438-28 UN-2A		.018/.022	.344	8.74	.625
7	.91	23.11	.812	20.62	.6250-20 UN-2A	.500-32 UN-2A	#20 (0.61/0.71)	.469	11.91	.688	17.48
8	.96	24.38	.875	22.23	.6875-20 UN-2A	.562-28 UN-2A		.024/.028	.531	13.49	.750
9	1.03	26.16	.937	23.80	.7500-20 UNEF-2A	.625-28 UN-2A	#16 (1.52/1.63)	.594	15.09	.812	20.62
10	1.09	27.69	1.000	25.40	.8125-20 UNEF-2A	.687-28 UN-2A		.060/.064	.656	16.66	.875
12	1.16	29.46	1.062	26.97	.8750-20 UNEF-2A	.750-28 UN-2A	#12 (2.34/2.44)	.719	18.26	.938	23.83
14	1.34	34.04	1.250	31.75	1.0625-20 UN-2A	.938-28 UN-2A		.092/.096	.893	22.68	1.125
15	1.41	35.18	1.312	33.32	1.1250-20 UN-2A	1.000-28 UN-2A		.955	24.26	1.188	30.18
21	1.70	43.18	1.562	39.67	1.4375-20 UN-2A	1.312-28 UN			1.257	31.93	1.500

Cutout Dimensions					
Shell Size	H Flat		Ø J		
	In.	mm.	In.	mm.	
5	.291/.286	7.4/7.3	.322	8.2	
6	.417/.412	10.6/10.5	.448	11.4	
7	.479/.474	12.2/12.0	.510	13.0	
8	.541/.536	13.7/13.6	.572	14.5	
9	.604/.599	15.3/15.2	.635	16.1	
10	.666/.661	16.9/16.8	.697	17.7	
12	.729/.724	18.5/18.4	.760	19.3	
14	.903/.898	22.9/22.8	.948	24.1	
15	.965/.960	24.5/24.4	1.010	25.7	
21	1.267/1.263	32.2/32.1	1.322	33.6	



RECOMMENDED PANEL CUTOUT FOR STYLE 00 FRONT MOUNT JAM NUT

Dimensions in Inches (millimeters) are subject to change without notice.



# Series 802 AquaMouse™ Submersible Hermetic Receptacle

## 802-013 Ordering Information



**Series 802 Hermetic Receptacles** feature gold plated iron alloy contacts and compression glass dielectric material. The 316 series stainless steel connector shell provides excellent corrosion protection and is suitable for e-beam welding. Viton® o-rings offer improved resistance to high temperature and harsh chemicals.

**1 x 10<sup>-7</sup> cc/Second Maximum Helium Leak Rate.** Open face (unmated) pressure rating is 1000 PSI. When mated, Series 802 connectors withstand 3500 PSI hydrostatic pressure.

### How To Order

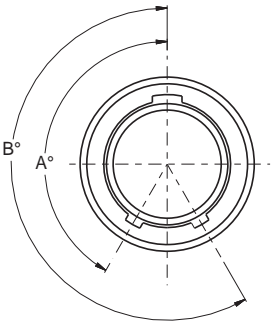
Sample Part Number	802-013	-00	Z1	9-200	P	A
Series	802-013 = Hermetic Receptacle					
Shell Style (See Table I)	-00 = Jam Nut for Front Panel Mounting		-03 = Weld Mount			
	-02 = Square Flange Front Panel Mount		-07 = Jam Nut Rear Panel Mount			
Shell Material and Finish	Z1 = Stainless Steel / Passivated RoHS Compliant					
	ZL = Stainless Steel / Nickel Plated					
Shell Size - Insert Arrangement	See Contact Arrangements page E-2					
Contact Type	P = Pin, PC Tail		D = Socket, PC Tail			
	E = Pin, Solder Cup		S = Socket, Solder Cup			
Shell Key Position (See Table II)	A = Normal   B = Pos. B   C = Pos. C   D = Pos. D   E = Pos. E   F = Pos. F					

### Table I: Shell Style

<b>-00</b> Jam Nut for Front Panel Mounting	<b>-02</b> Square Flange	<b>-03</b> Weld Mount	<b>-07</b> Jam Nut for Rear Panel Mounting

### Table II: Key Positions

Key Position	Key Rotation	
	A°	B°
A Normal	150°	210°
B	75°	210°
C	95°	230°
D	140°	275°
E	75°	275°
F	9°	210°



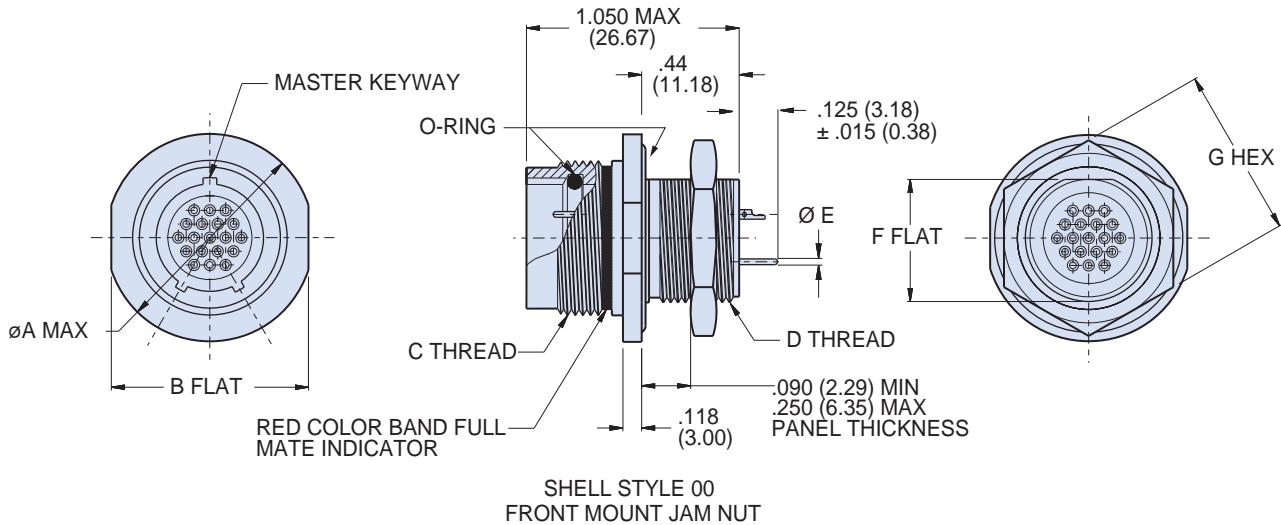
Dimensions in Inches (millimeters) are subject to change without notice.

Series 802 AquaMouse™ Submersible  
Hermetic Receptacle  
802-013-00 Dimensions

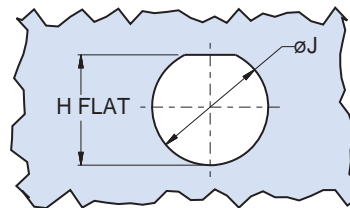


Series 802

**Front panel mount jam nut receptacle - shell style 00**



Dimensions															
Shell Size	Ø A Max.		B Flat		C Threads	D Threads	Ø E Tail Dia.	F Flat		G Hex		H Flat		Ø J	
	In.	mm.	In.	mm.				In.	mm.	In.	mm.	In.	mm.	In.	mm.
5	.72	18.29	.625	15.88	.4375-28 UNEF-2A	.312-28 UN-2A	#23 (0.46/0.56)	.281	7.14	.500	12.70	.291/.286	7.4/7.3	.322	8.2
6	.78	19.81	.750	19.05	.5625-20 UN-2A	.438-28 UN-2A		.018/.022	.406	10.31	.625	15.88	.417/.412	10.6/10.5	.448
7	.91	23.11	.812	20.62	.6250-20 UN-2A	.500-32 UN-2A	#20 (0.61/0.71)	.469	11.91	.688	17.48	.479/.474	12.2/12.0	.510	13.0
8	.96	24.38	.875	22.23	.6875-20 UN-2A	.562-28 UN-2A		.024/.028	.531	13.49	.750	19.05	.541/.536	13.7/13.6	.572
9	1.03	26.16	.937	23.80	.7500-20 UNEF-2A	.625-20 UN-2A	#16 (1.52/1.63)	.594	15.09	.812	20.62	.604/.599	15.3/15.2	.635	16.1
10	1.09	27.69	1.000	25.40	.8125-20 UNEF-2A	.687-28 UN-2A		.060/.064	.656	16.66	.875	22.23	.666/.661	16.9/16.8	.697
12	1.16	29.46	1.062	26.97	.8750-20 UNEF-2A	.750-28 UN-2A	#12 (2.34/2.44)	.719	18.26	.938	23.83	.729/.724	18.5/18.4	.760	19.3
14	1.34	34.04	1.250	31.75	1.0625-20 UN-2A	.938-28 UN-2A		.092/.096	.893	22.68	1.125	28.58	.903/.898	22.9/22.8	.948
15	1.41	35.18	1.312	33.32	1.1250-20 UN-2A	1.000-28 UN-2A	(2.34/2.44)	.955	24.26	1.188	30.18	.965/.960	24.5/24.4	1.010	25.7
21	1.70	43.18	1.562	39.67	1.4375-20 UN-2A	1.312-28 UN-2A		1.257	31.93	1.500	38.10	1.267/1.263	32.2/32.1	1.322	33.6



RECOMMENDED PANEL CUTOUT  
FOR STYLE 00  
FRONT MOUNT JAM NUT

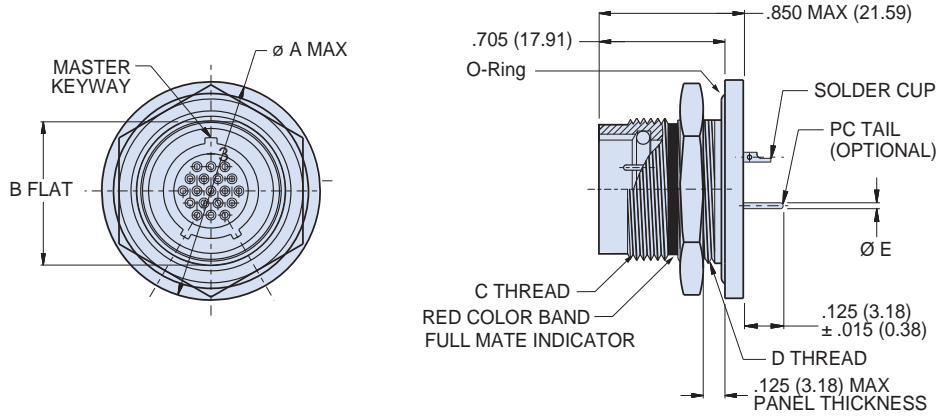
Dimensions in Inches (millimeters) are subject to change without notice.



# Series 802 AquaMouse™ Submersible Hermetic Receptacle

## 802-013-07 Dimensions

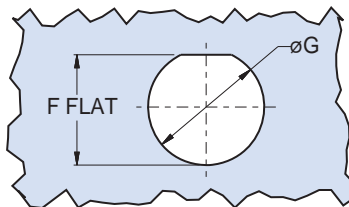
### Rear panel mount jam nut receptacle - shell style 07



SHELL STYLE 07  
REAR MOUNT JAM NUT

#### Dimensions

Shell Size	A Max.		B Flat		C Threads	D Threads	$\phi$ E Tail Dia.	F Flat		$\phi$ G			
	In.	mm.	In. $\pm$ .003	mm. $\pm$ 0.08				In. $\pm$ .003	mm. $\pm$ 0.08	In.	mm.	In.	mm.
5	.885	22.48	.466	11.84	.438-28 UNEF	.500-32 UN-2A	#23 .018/.022 (0.46/0.56)	.479/.474	12.2/12.0	.510	12.95		
6	1.010	25.65	.591	15.01	.562-20 UN	.625-20 UN-2A		.604/.599	15.3/15.2	.635	16.13		
7	1.072	27.23	.653	16.59	.625-20 UN	.687-28 UN-2A	#20 .024/.028 (0.61/0.71)	.666/.661	16.9/16.8	.697	17.70		
8	1.135	28.83	.729/.725	18.52/18.42	.687-20 UN	.750-28 UN-2A		.737/.733	18.7/18.6	.760	19.30		
9	1.195	30.35	.778	19.76	.750-20 UNEF	.812-28 UN-2A	#16 .060/.064 (1.52/1.63)	.791/.786	20.1/20.0	.822	20.88		
10	1.260	32.00	.827	21.01	.812-20 UNEF	.875-28 UN-2A		.840/.835	21.3/21.2	.885	22.48		
12	1.322	33.58	.890	22.61	.875-20 UNEF	.938-28 UN-2A	#12 .092/.096 (2.34/2.44)	.903/.898	22.9/22.8	.948	24.08		
14	1.510	38.25	1.077	27.36	1.062-20 UN	1.125-28 UN-2A		1.090/1.085	27.7/27.6	1.135	28.83		
15	1.572	39.93	1.140	28.96	1.125-20 UN	1.188-28 UN-2A	1.153/1.148	29.3/29.2	1.198	30.43			
21	1.940	49.28	1.467/1.463	37.26/37.16	1.4375-20 UN	1.500-28 UN-2A					1.475/1.471	37.5/37.4	1.510



RECOMMENDED PANEL CUTOUT  
FOR STYLE 07 REAR MOUNT JAM NUT

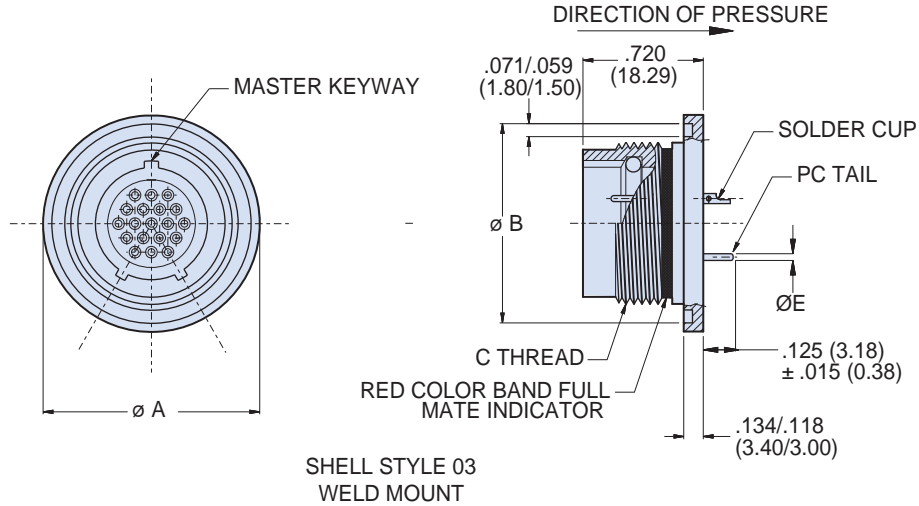
Dimensions in Inches (millimeters) are subject to change without notice.

Series 802 AquaMouse™ Submersible  
Hermetic Receptacle  
802-013-03 Dimensions



Series 802

**Weld mount receptacle - shell style 03**



SHELL STYLE 03  
WELD MOUNT

Dimensions						
Shell Size	$\varnothing A$		$\varnothing B$		C Mating Threads	$\varnothing E$ Tail Dia.
	In. $\pm .006$	mm. $\pm 0.15$	In. $\pm .006$	mm. $\pm 0.15$		
5	.788	20.02	.745	18.92	.438-28 UNEF	#23 .018/.022 (0.46/0.56)
6	.912	23.16	.869	22.07	.562-20 UN	
7	.975	24.77	.933	23.70	.625-20 UN	
8	1.038	26.37	.995	25.27	.687-20 UN	#20 .024/.028 (0.61/0.71)
9	1.100	27.94	1.057	26.85	.750-20 UNEF	
10	1.162	29.53	1.119	28.42	.812-20 UNEF	#16 .060/.064 (1.52/1.63)
12	1.225	31.12	1.182	30.02	.875-20 UNEF	
14	1.412	35.86	1.369	34.77	1.062-20 UN	#12 .092/.096 (2.34/2.44)
15	1.475	37.47	1.432	36.37	1.125-20 UN	
21	1.795	45.59	1.750/1.744	44.45/44.30	1.4375-20 UN	

Dimensions in Inches (millimeters) are subject to change without notice.

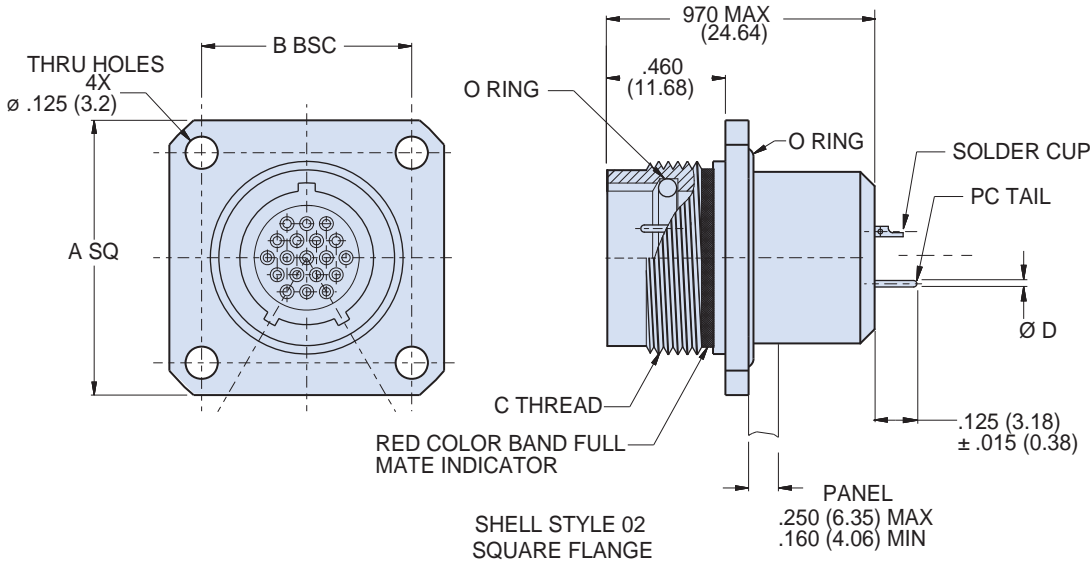




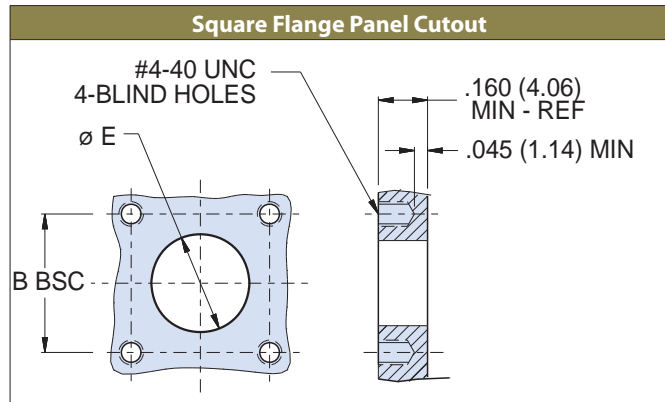
# Series 802 AquaMouse™ Submersible Hermetic Receptacle

## 802-013-02 Dimensions

### Square flange front panel mount receptacle - shell style 02



Dimensions								
Shell Size	A Square		B Bsc.		C Mating Threads	Ø D Tail Dia.	Ø E	
	In.	mm.	In.	mm.			In.	mm.
5	.885	22.48	.500	12.70	.438-28 UNEF	#23 .018/.022 (0.46/0.56)	.327	8.31
6	1.010	25.65	.625	15.88	.562-20 UN		.390	9.91
7	1.072	27.23	.688	17.48	.625-20 UN		.515	13.08
8	1.135	28.83	.750	19.05	.687-20 UN	#20 .024/.028 (0.61/0.71)	.577	14.66
9	1.195	30.35	.812	20.62	.750-20 UNEF		.640	16.26
10	1.260	32.00	.875	22.23	.812-20 UNEF	#16 .060/.064 (1.52/1.63)	.702	17.83
12	1.323	33.60	.938	23.83	.875-20 UNEF		.765	19.43
14	1.510	38.25	1.125	28.58	1.062-20 UN	#12 .092/.096 (2.34/2.44)	.953	24.21
15	1.573	39.95	1.188	30.18	1.125-20 UN		1.015	25.78
21	1.750	44.45	1.375	34.93	1.4375-20 UN		1.312	33.32



Dimensions in Inches (millimeters) are subject to change without notice.



# Series 802 AquaMouse™ Hermetic Jam Nut Mount Bulkhead Feed-Thru 802-048 Ordering Information



Series 802



**Series 802 Hermetic Jam Nut Mount Bulkhead Feed-Thru Receptacles** feature gold plated iron alloy contacts and compression glass dielectric material. The 316 series stainless steel connector shell provides excellent corrosion protection. Available in PS, SP, PP and SS for PP or SS application, power applied to a given contact on one end will result in power to contact directly opposite, regardless of contact identification letter. DWV of contact size #23 is 500 VAC with sizes #20, #16 and #12 rated at 1800 VAC. Hermeticity is rated at:  $1 \times 10^{-7}$  ccHe/sec @ 1 atmosphere differential. 802-048 is designed to mate with Glenair 802 Series plugs

How To Order								
Sample Part Number	802-048	Z1	12-37	P	S	A	01	D
Series	802-048 = Bulkhead Feed-Thru Hermetic Receptacle							
Shell Material and Finish	Z1 = Stainless Steel / Passivated RoHS Compliant ZL = Stainless Steel / Nickel Plated INC = Inconel 600							
Shell Size - Insert Arrangement	See Table III							
Contact Type Jam Nut Side	P = Pin S = Socket							
Contact Type Opposite Side	P = Pin S = Socket							
Keyway Position (See Table I)	A = Normal B = Pos. B C = Pos. C D = Pos. D E = Pos. E F = Pos. F							
Panel Thickness (See Table II)	-01 = .125/.500    -02 = .500/1.00    -03 = 1.00/1.500 -04 = 1.500/2.00    -05 = 2.000/2.500    -06 = 2.500/3.000 -07 = 3.000/3.500    -08 = 3.500/4.000							
O-ring Material	See Table IV							

Table I: Key Positions		
Key Position	Key Rotation	
	A°	B°
A Normal	150°	210°
B	75°	210°
C	95°	230°
D	140°	275°
E	75°	275°
F	95°	210°

Table II: Panel Thickness		
Panel Thickness Code	H Panel Thickness	J Maximum Length
-01	.125/.500	1.750
-02	.500/1.000	2.250
-03	1.000/1.500	2.750
-04	1.500/2.000	3.250
-05	2.000/2.500	3.750
-06	2.500/3.000	4.250
-07	3.000/3.500	4.750
-08	3.500/4.000	5.250

Table III: Insert Arrangements	
Shell Size	Insert Arrangement(s)
5	-3
6	-1, -4, -6, -7, -23
7	-1, -10, -25
8	-1, -2, -13, -28, -200
9	-4, -19, -200, -201, -210
10	-2, -5, -26, -200, -201, -202
12	-2, -3, -7, -37, -200, -201, -220
14	-2, -5, -12, -55, -235
15	-3, -7, -14, -85, -241
21	-5, -12, -22, -130, -269

Table IV: O-ring Material			
Designator	Material	Designator	Material
C	Fluorosilicone, Conductive	S	Silicone
E	EPDM	B	Butyle Rubber
V	Viton	K	Kalrez
N	Nitrile		

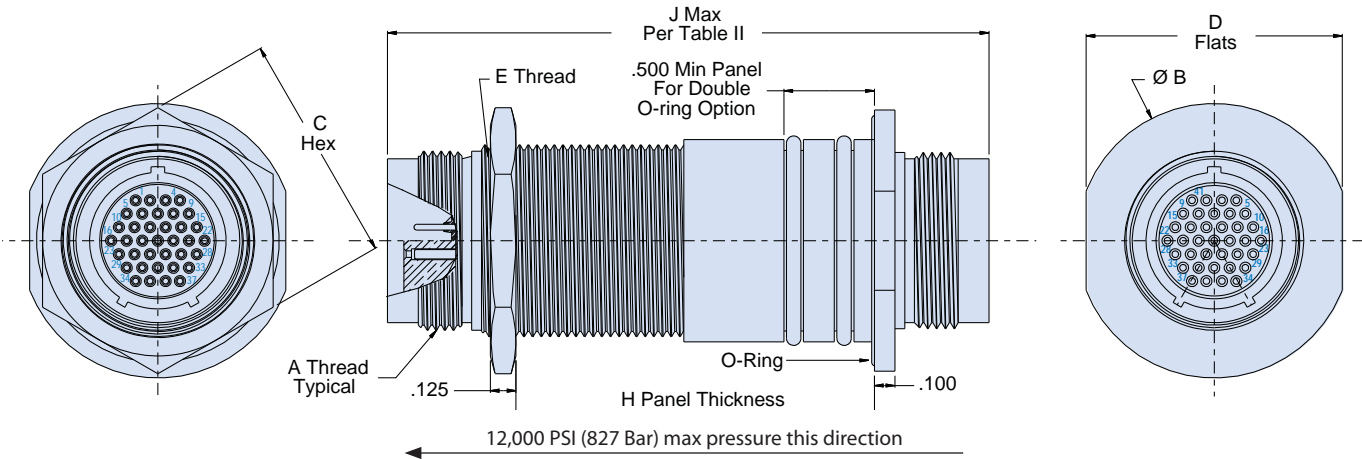
Dimensions in Inches (millimeters) are subject to change without notice.





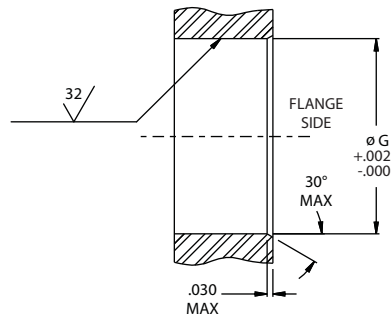
# Series 802 AquaMouse™ Hermetic Jam Nut Mount Bulkhead Feed-Thru 802-048 Dimensions

## Jam nut mount bulkhead Feed-Thru



### Dimensions

Shell Size	A Thread	Ø B Max		C Hex		D Flat		E Thread	Ø F		Ø G	
		in	mm	in	mm	in	mm		in	mm	in	mm
5	.4375-28 UNEF	0.950	24.13	0.688	17.48	0.880 0.870	22.35 22.10	.5000-32 UN-2A	0.525	13.34	0.550	13.97
6	.5625-20 UN	1.150	29.21	0.812	20.62	1.010 1.000	25.65 25.40	.6250-20 UN-2A	0.650	16.51	0.675	17.15
7	.6250-20 UN	1.225	31.12	0.875	22.23	1.080 1.070	27.43 27.18	.6875-28 UN-2A	0.715	18.16	0.738	18.75
8	.6875-20 UN	1.275	32.39	0.938	23.83	1.140 1.130	28.96 28.70	.7500-28 UN-2A	0.775	19.69	0.800	20.32
9	.7500-20 UNEF	1.325	33.66	1.000	25.40	1.205 1.195	30.61 30.35	.8125-28 UN-2A	0.835	21.21	0.863	21.92
10	.8125-20 UNEF	1.380	35.05	1.000	25.40	1.270 1.260	32.26 32.00	.8750-28 UN-2A	0.925	23.50	0.925	23.50
12	.8750-20 UNEF	1.462	37.13	1.125	28.58	1.330 1.320	33.78 33.53	.9375-28 UN-2A	0.960	24.38	0.991	25.17
14	1.0625-20 UN	1.650	41.91	1.312	33.32	1.520 1.510	38.61 38.35	1.1250-28 UN-2A	1.150	29.21	1.178	29.92
15	1.1875-20 UN	1.700	43.18	1.375	34.93	1.580 1.570	40.13 39.88	1.1875-28 UN-2A	1.210	30.73	1.241	31.52
21	1.4375-20 UN	2.165	54.99	1.700	43.18	2.015 2.005	51.18 50.93	1.5000-28 UN-2A	1.525	38.74	1.625	41.28



RECOMMENDED  
PANEL CUTOUT FOR  
DOUBLE O-RING  
ONLY

Dimensions in Inches (millimeters) are subject to change without notice.

Series 802 AquaMouse™ Submersible  
Shielded Overmolded Harsh Environment Cordsets  
General Information



## Series 802 Harsh Environment Shielded Cordsets



Overmolded AquaMouse™ cordsets are used in oil and gas pipeline equipment and other hostile environments where interconnect reliability and survivability is essential. High performance cordsets feature easy ordering and fast delivery. These fully shielded and watertight assemblies withstand abrasion, temperature extremes and chemicals. Flexible overmolding provides rugged, watertight protection to wire and shield. Two styles are available. For oil and gas equipment or continuous water immersion, choose **Style 1** with thermoplastic polyurethane cable jacket and thermoset polyurethane overmolding. For non-critical general purpose applications, **Style 2** cordsets with polyurethane jackets and polyamide overmolds are a good choice if cost is a concern.

### Product Features

- 2500 PSI (Style 1)
- Rugged, watertight construction
- 100% electrically tested
- BandMaster ATS Shield Termination
- Abrasion Resistance
- Resistant to chemicals
- Withstands UV and ozone

### Harsh Environment Cordset Selection Guide

Property	Style 1 Polyurethane Jacket Polyurethane Overmold	Style 2 Polyurethane Jacket Polyamide Overmold
Cable jacket	Thermoplastic polyurethane (TPU), black	Thermoplastic polyurethane (TPU), black
Overmold	Thermoset polyurethane, black	Polyamide, black
Operating temperature	-40° C. to +105° C.	-30° C. to +105° C.
Flexibility	Good	Good
Water Resistance	2500 PSI (mated)	1 meter immersion
Solvent Resistance, Cable Jacket	Excellent	Good
Solvent Resistance, Overmold	Excellent	Fair
Weatherability	Excellent	Excellent
Abrasion Resistance	Excellent	Good
Flammability	Flame retardant UL 94 V-0	Flame retardant UL 94 V-0
Cost	\$\$\$\$	\$

### Specifications

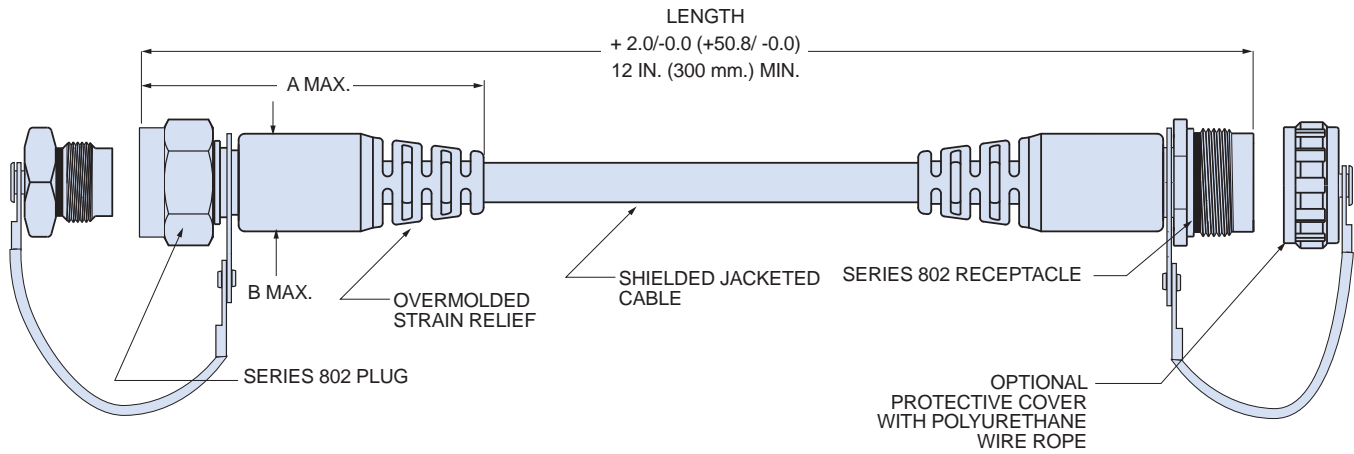
Cable jacket	Thermoplastic polyurethane, black, low-smoke, zero-halogen
Overmold	Style 1: thermoset polyurethane Style 2: polyamide
Cable shield	Tin-coated copper braid, 90% minimum coverage
Conductors	Silver coated stranded wire, TFE insulated, per M22759/11
Shield Termination	Band-Master™ ATS stainless steel shield termination band
Current rating	#23–5 amps, #20–7.5 amps, #16–13 amps, #12–23 amps
Test voltage (DWV)	#23–750 Vac, #20–1000 vac, #16 and #12–1800 VAC sea level
Insulation resistance	200 Megohms minimum
Shielding effectiveness	50 dB minimum from 100MHz to 1000MHz.

Dimensions in Inches (millimeters) are subject to change without notice.



# Series 802 AquaMouse™ Submersible Shielded Overmolded Harsh Environment Cordsets

## Dimensions



Dimensions				
Shell Size	A Max.		B Max.	
	In.	mm.	In.	mm.
5	2.31	58.67	0.5	12.70
6	2.40	60.96	0.55	13.97
7	2.50	63.50	0.65	16.51
8	2.52	64.01	0.71	18.03
9	2.80	71.12	0.78	19.81
10	2.75	69.85	0.82	20.83
11	2.85	72.39	0.87	55.10
12	3.10	78.74	0.9	22.86
14	3.40	86.36	1.1	27.94
15	3.40	86.36	1.2	30.48

### NOTES

1. Double-ended cordsets are wired pin #1 to pin #1, #2 to #2, and so on.
2. Wires are silver-coated stranded copper with TFE insulation, 600V, in accordance with M22759/11.
3. Wire color is white.

Dimensions in Inches (millimeters) are subject to change without notice.

**Series 802 AquaMouse™ Submersible  
Shielded Overmolded Harsh Environment Cordsets  
802-019, -022, -032 and -033 Ordering Information**



Series 802

Series 802 Cordsets with #23 Contacts								
Sample Part Number								
802-019	-A	C	4	M	9-19	N	A	-36
Series	End A Connector	End B Connector	Wire Size	Shell Material/ Finish	Insert Arr.	Protective Cover	Shell Key Pos.	Length
<b>802-022</b> <b>Style 1</b> Polyurethane Cable Jacket, Thermoset Polyurethane Overmold, 2500 PSI	<b>-A</b> Plug, with Male Pin Contacts	<b>A</b> Plug, with Male Pin Contacts	<b>2</b> #22 AWG	<b>Z1</b> Stainless Steel Shell / Passivated	See page E-2 for insert arr.	<b>P</b> Metal Protective Covers Included	<b>A</b> Normal	Overall Length In Inches
<b>802-019</b> <b>Style 2</b> Polyurethane Cable Jacket, Polyamide Overmold, 1 Meter Immersion	<b>-B</b> Plug, with Female Socket Contacts	<b>B</b> Plug, with Female Socket Contacts	<b>4</b> #24 AWG	<b>ZM</b> Stainless Steel Shell / Electroless Nickel Plated	Consult Factory for Combo Arr.	<b>N</b> No Covers Supplied	<b>B</b> Pos. B	12 Inch Min.
	<b>-C</b> Receptacle, with Male Pin Contacts	<b>C</b> Receptacle, with Male Pin Contacts		<b>AB</b> Marine Bronze Shell Unplated			<b>C</b> Pos. C	
	<b>-D</b> Receptacle, with Female Socket Contacts	<b>D</b> Receptacle, with Female Socket Contacts					<b>D</b> Pos. D	
		<b>N</b> No Connector (Single-Ended)					See page E-2	

Series 802 Cordsets with #20HD Contacts								
Sample Part Number								
802-032	-A	C	0	M	9-19	N	A	-36
Series	End A Connector	End B Connector	Wire Size	Shell Material / Finish	Insert Arr.	Protective Cover	Shell Key Pos.	Length
<b>802-033</b> <b>Style 1</b> Polyurethane Cable Jacket, Thermoset Polyurethane Overmold, 2500 PSI Rated	<b>-A</b> Plug, with Male Pin Contacts	<b>A</b> Plug, with Male Pin Contacts	<b>0</b> #20 AWG	<b>Z1</b> Stainless Steel Shell / Passivated	See page E-2 for insert arr.	<b>P</b> Metal Protective Covers Included	<b>A</b> Normal	Overall Length In Inches
<b>802-032</b> <b>Style 2</b> Polyurethane Cable Jacket, Polyamide Overmold, 1 Meter Immersion	<b>-B</b> Plug, with Female Socket Contacts	<b>B</b> Plug, with Female Socket Contacts	<b>2</b> #22 AWG	<b>ZM</b> Stainless Steel Shell / Electroless Nickel Plated	Consult Factory for Combo Arr.	<b>N</b> No Covers Supplied	<b>B</b> Pos. B	12 Inch Min.
	<b>-C</b> Receptacle, with Male Pin Contacts	<b>C</b> Receptacle, with Male Pin Contacts		<b>AB</b> Marine Bronze Shell Unplated			<b>C</b> Pos. C	
	<b>-D</b> Receptacle, with Female Socket Contacts	<b>D</b> Receptacle, with Female Socket Contacts					<b>D</b> Pos. D	
		<b>N</b> No Connector (Single-Ended)					See page E-2	

Dimensions in Inches (millimeters) are subject to change without notice.





## Series 802 AquaMouse™ Submersible Shielded Overmolded Harsh Environment Cordsets

### 802-026, -027, -028, and -029 Ordering Information

Series 802 Cordsets with #16 Contacts								
Sample Part Number								
802-026	-A	C	6	Z1	9-4	N	A	-48
Series	End A Connector	End B Connector	Wire Size	Shell Material / Finish	Insert Arr.	Protective Cover	Shell Key Pos.	Length
<b>802-028</b> <b>Style 1</b> Polyurethane Cable Jacket, Thermoset Overmold, 2500 PSI Rated <b>802-026</b> <b>Style 2</b> Polyurethane Cable Jacket, Polyamide Overmold, 1 Meter Immersion	-A Plug, with Male Pin Contacts	A Plug, with Male Pin Contacts	6 #16 AWG	Z1 Stainless Steel Shell / Passivated	See page E-2 for insert arr.	P Metal Protective Covers Included	A Normal	Overall Length In Inches 12 Inch Min.
	-B Plug, with Female Socket Contacts	B Plug, with Female Socket Contacts	8 #18 AWG	ZM Stainless Steel Shell / Electroless Nickel Plated	Consult Factory for Combo Arr.	N No Covers Supplied	B Pos. B	
	-C Receptacle, with Male Pin Contacts	C Receptacle, with Male Pin Contacts		AB Marine Bronze Shell Unplated			C Pos. C	
	-D Receptacle, with Female Socket Contacts	D Receptacle, with Female Socket Contacts					D Pos. D	
		N No Connector (Single-Ended)					See page E-2	

Series 802 Cordsets with #12 Contacts								
Sample Part Number								
802-027	-A	C	0	M	10-2	N	A	-48
Series	End A Connector	End B Connector	Wire Size	Shell Material / Finish	Insert Arr.	Protective Cover	Shell Key Pos.	Length
<b>802-029</b> <b>Style 1</b> Polyurethane Cable Jacket, Thermoset Overmold, 2500 PSI Rated <b>802-027</b> <b>Style 2</b> Polyurethane Cable Jacket, Polyamide Overmold, 1 Meter Immersion	-A Plug, with Male Pin Contacts	A Plug, with Male Pin Contacts	2 #12 AWG	Z1 Stainless Steel Shell / Passivated	See page E-2 for insert arr.	P Metal Protective Covers Included	A Normal	Overall Length In Inches 12 Inch Min.
	-B Plug, with Female Socket Contacts	B Plug, with Female Socket Contacts	4 #14 AWG	ZM Stainless Steel Shell / Electroless Nickel Plated	Consult Factory for Combo Arr.	N No Covers Supplied	B Pos. B	
	-C Receptacle, with Male Pin Contacts	C Receptacle, with Male Pin Contacts		AB Marine Bronze Shell Unplated			C Pos. C	
	-D Receptacle, with Female Socket Contacts	D Receptacle, with Female Socket Contacts					D Pos. D	
		N No Connector (Single-Ended)					See page E-2	

Dimensions in Inches (millimeters) are subject to change without notice.

# Series 803 Mighty Mouse 1/4 Turn Bayonet Coupling Table of Contents and Introduction



Series 803

## PRODUCT SELECTION GUIDE



### Series 803 Bayonet Plugs

Available in aluminum or stainless steel. The integral shield termination platform accepts heat-shrink boots, or select accessory threads for use with a variety of strain relief and backshell accessory options.

Page F-6



### Series 803 Receptacles for Insulated Wire

Jam nut, square flange and in-line versions make it easy to find a style for every application. The integral shield termination platform accepts heat-shrink boots (ordered separately), or select accessory threads for use with a variety of strain relief and backshell accessory options. Contacts are crimp-type and are packaged with the connector.

Page F-8



### Series 803 Receptacles with Solder Cup or PCB Termination

These panel mount connectors feature gold plated, factory-installed non-removable contacts. Choose printed circuit terminals, or choose solder cup contacts. Connectors are potted with epoxy for general purpose applications, or choose silicone-sealed, leak-tested versions for 1 meter water immersion in unmated condition.

Page F-12



### Series 803 Hermetic Receptacles

Need a miniaturized hermetic for a sealed box or instrument? These stainless steel, glass-sealed connectors are available with solder cup or PC tail contacts. Choose jam nut or flange mount versions. Contacts are gold plated iron alloy. 100% tested to meet  $1 \times 10^{-7}$  cc/sec helium leakage. Open face pressure rating 1000 PSI.

Page F-14



### Series 803 Bulkhead Feed-Thru Receptacles

Miniaturized Mighty Mouse bulkhead Feed-Thrus available as jam nut rear panel mount or elliptical flange for front or rear panel mounting. Contacts available as pin to pin, pin to socket, socket to pin or socket to socket.

Page F-16



### Series 803 Shielded Overmolded Cordsets

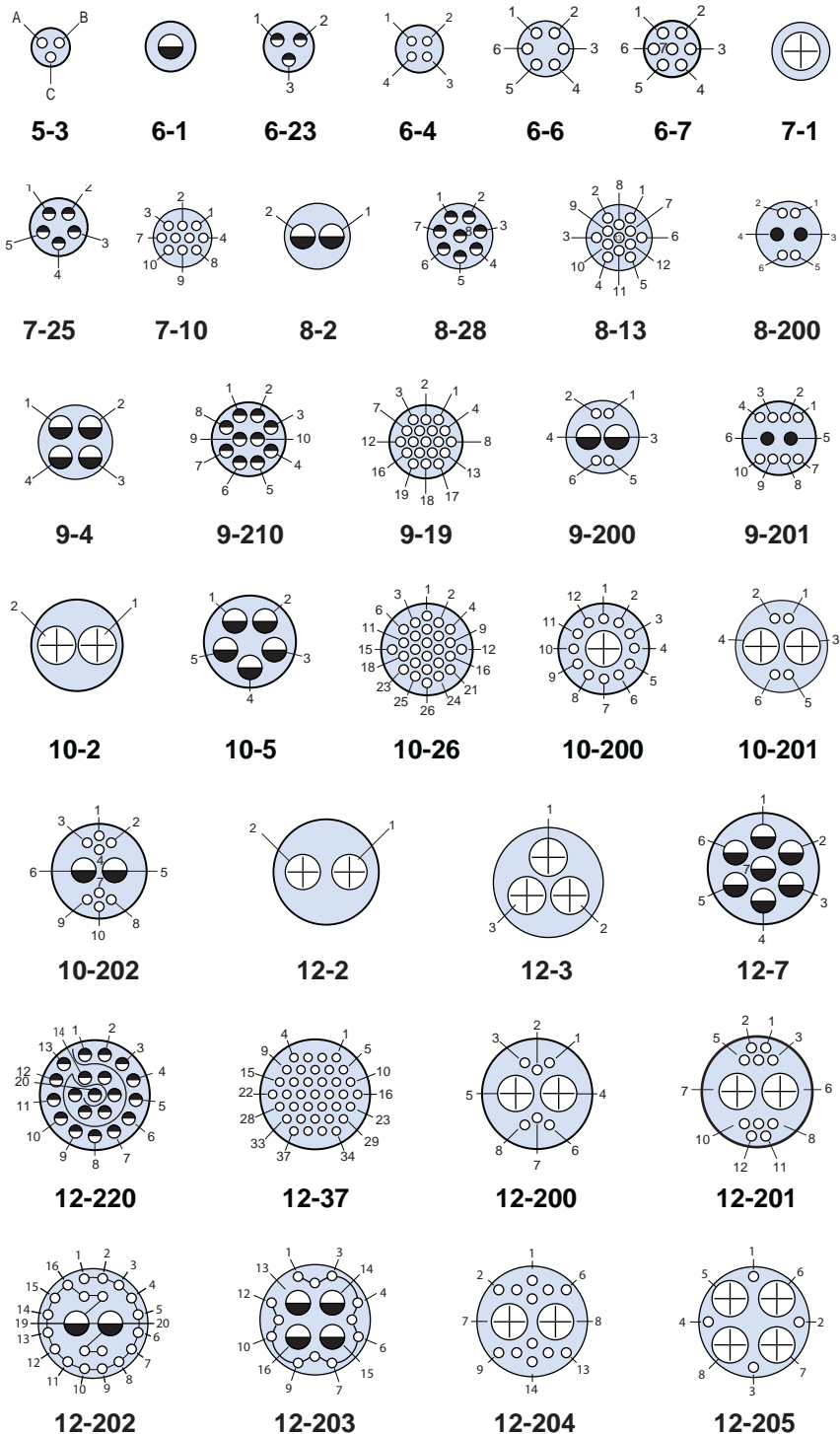
Overmolded cordsets offer optimum convenience and performance. Low-smoke, zero halogen polyurethane jackets withstand abrasion and harsh environments or choose lightweight shield and overbraided jackets for maximum flexibility.

Page F-18

Dimensions in Inches (millimeters) are subject to change without notice.

Contact Arrangements					
Contact Arr.	No. of Contacts				
	#23	#20	#20HD	#16	#12*
5-3	3				
6-1				1	
6-23			3		
6-4	4				
6-6	6				
6-7	7				
7-1					1
7-25			5		
7-10	10				
8-2				2	
8-28			8		
8-13	13				
8-200	4	2			
9-4				4	
9-210			10		
9-19	19				
9-200	4			2	
9-201	8	2			
10-2					2
10-5				5	
10-26	26				
10-200	12				1
10-201	4				2
10-202	8			2	
12-2					2
12-3					3
12-7				7	
12-220			20		
12-37	37				
12-200	6				2
12-201	10				2
12-202	20			2	
12-203	12			4	
12-204	12				2
12-205	4				4
14-5					5
14-12				12	

### Mating Face View of Pin Connector (Socket connector numbers are reversed)



\*All arrangements with #12 contacts available with keyed Twinax contacts. Use mode code -688

#### Contact Legend

#23 ◦ #20HD ◐ #20 ● #16 ⊖ #12 ⊕

Dimensions in Inches (millimeters) are subject to change without notice.



# Series 803 Mighty Mouse 1/4 Turn Bayonet Couplings Contact Arrangements



Series 803

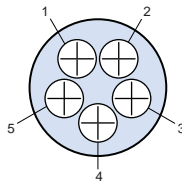
Contact Arrangements					
Contact Arr.	No. of Contacts				
	#23	#20	#20HD	#16	#12*
14-235			35		
14-55	55				
14-204	40			2	
14-205	32			4	
14-206	34				2
14-207	20				4

\*All arrangements with #12 contacts available with keyed Twinax contacts. Use mode code -688

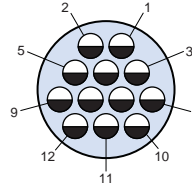
### Contact Legend

#23° #20HD● #20● #16● #12⊕

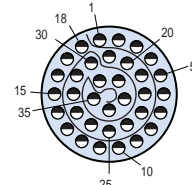
### Mating Face View of Pin Connector (Socket connector numbers are reversed)



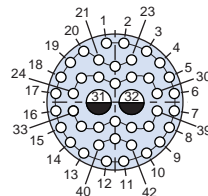
14-5



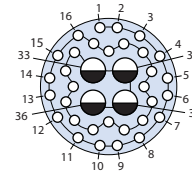
14-12



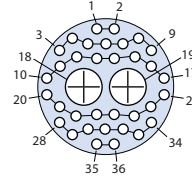
14-235



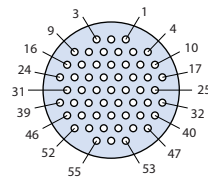
14-204



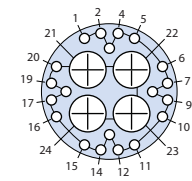
14-205



14-206

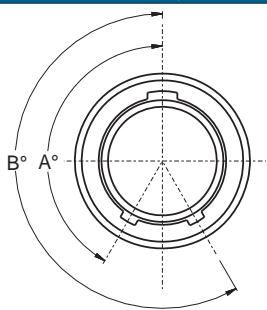


14-55



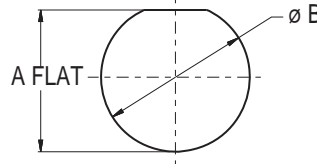
14-207

### Series 803 Plug Key Positions



Pos.	A°	B°
N	150°	210°
X	75°	210°
Y	95°	230°
Z	140°	275°

### Jam Nut Panel Cutout

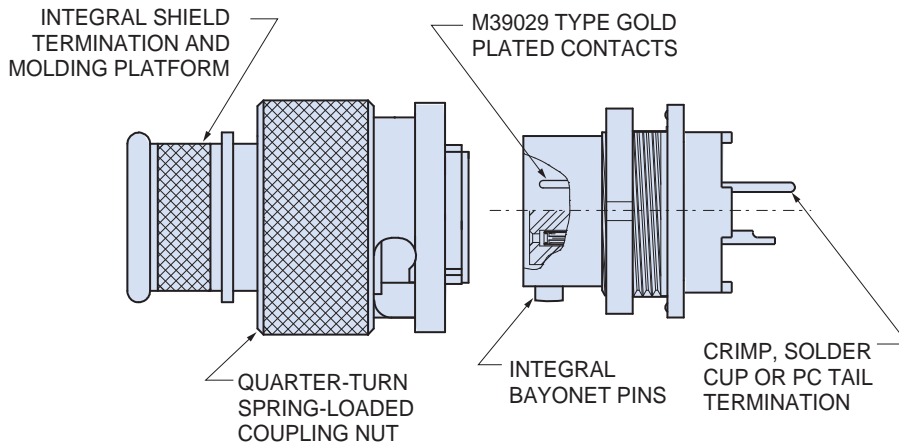


Shell Size	A Flat		Ø B	
	In. ± .002	mm. ± 0.05	In.	mm.
5	.355	9.02	.382	9.70
6	.415	10.54	.445	11.30
7	.541	13.74	.572	14.53
8	.601	15.27	.635	16.13
9	.601	15.27	.643	16.33
10	.729	18.52	.760	18.29
12	.850	21.59	.885	22.48
14	1.031	26.19	1.072	27.23

Dimensions in Inches (millimeters) are subject to change without notice.



## Series 803 Mighty Mouse ¼ Turn Bayonet Couplings General Information



**Bayonet Coupling Mechanism**  
Push-To-Mate, ¼ turn for locking.

**1 up to 55 contacts**  
available in crimp, solder cup or printed circuit board versions.  
Aluminum or stainless steel shell.

**Now with Power Contacts.**  
Choose any one of 43 contact arrangements with size #23, size #20HD, size #16, or size #12 contacts.

## Glenair's Bayonet Mighty Mouse Offers ¼ Turn Locking, Rugged Design and Ultraminiature Size

Ideal for tactical handheld radios, sensors, test equipment and autosport equipment, the Series 803 connector adds quick bayonet coupling to the Glenair Series 80 product line. Key features are small size, light weight, environmental protection, and crimp-and-poke contacts. These features make the Series 803 Bayonet connector suitable for a wide range of quick-disconnect applications. Fluorosilicone seals resist most chemicals and provide splash protection.

**Not rated for water immersion.**

F



### Specifications

Current Rating	#23–5 A, #20–7.5 A, #16–13 A, #12–23 A
Dielectric Withstanding Voltage	#23–750 VAC, #20HD–1000 VAC, #12 and #16–1800 VAC
Insulation Resistance	5000 megohms minimum
Operating Temperature	-65° C. to +175° C.
Shock	300 g.
Vibration	37 g.
Shielding Effectiveness	40 dB minimum from 100MHz to 1000MHz.
Durability	100 mating cycles (aluminum), 250 mating cycles (stainless steel)
See Series 80 General Information for complete performance specs.	

### Materials and Finishes

Shells, Jam Nuts	Aluminum alloy or stainless steel
Contacts	Copper alloy, 50 µlnch gold plated
Insulators	Liquid crystal polymer (LCP)
Contact Retention Clip	Beryllium copper alloy
Interfacial Seal, O-rings, Wire Sealing Grommet	Fluorosilicone rubber
See Series 80 General Information for complete material and finish specs.	

Dimensions in Inches (millimeters) are subject to change without notice.

# Series 803 Mighty Mouse 1/4 Turn Bayonet Couplings Plug and Receptacle Weights



Series 803

Series 803 maximum Connector Weight in grams					
Contact Arr.	Cable Plug	J/N Recep Crimp	J/N Recep PCB	Flange Recep Crimp	Flange Recep PCB
5-3P	3.6	3.6	3.9	2.9	3.3
5-3S	3.7	3.7	4.0	3.1	3.4
6-1P	4.4	4.4	4.6	3.1	3.5
6-1S	4.5	4.5	4.7	3.2	3.6
6-4P	4.7	3.7	4.1	3.1	3.6
6-4S	4.7	4.0	4.2	3.2	3.7
6-6P	4.3	3.8	4.6	3.4	3.6
6-6S	4.5	4.1	4.7	3.6	3.7
6-7P	5.1	4.8	5.3	3.3	4.4
6-7S	5.1	5.1	5.5	3.6	4.4
7-1P	5.7	5.9	5.8	4.4	4.7
7-1S	5.9	6.2	5.9	4.7	5.1
7-10P	6.9	7.4	8.1	5.0	6.5
7-10S	7.4	7.8	8.4	5.4	6.6
7-25P	5.6	5.8	5.7	4.2	4.6
7-25S	5.9	6.2	5.8	4.7	5
8-2P	8.6	8.9	9.9	6.6	8.6
8-2S	9.4	9.7	10.7	7.4	9.4
8-13P	7.9	8.3	9.2	5.9	7.9
8-13S	8.7	8.9	9.7	6.6	8.1
8-28P	8.8	9.1	10.5	6.8	9.2
8-28S	9.9	10.2	11.3	7.9	10
8-200P	8.9	9.2	10.2	6.9	8.9
8-200S	9.6	9.9	10.9	6.9	9.6
9-4P	9.2	9.6	10.6	6.6	9.2
9-4S	9.6	9.9	10.9	6.9	9.6
9-19P	9.2	9.1	10.6	7.0	9.9
9-19S	10.2	10.1	11.2	8.1	10.2
9-200P	9.1	9.5	10.5	7.2	9.1
9-200S	10.2	10.6	11.6	8.3	10.2
9-201P	9.2	9.6	10.6	7.3	10.3
9-201S	9.8	10.1	11.7	8.4	10.3
9-210P	9	9.4	10.1	6.4	8.7
9-210S	9.6	9.9	10.7	6.9	9.3
10-2P	13.1	13.8	14.1	10.4	13
10-2S	14.5	15.1	16.7	11.7	14.5
10-5P	13.4	14.1	15.0	10.6	13.9
10-5S	14.9	15.5	17.5	12.0	15.3
10-26P	11.7	12.3	14.3	8.8	12.8
10-26S	13.4	13.6	15.1	10.1	13.1
10-200	12.5	13.2	15.2	9.7	13.0
10-200	14.0	14.6	16.6	11.1	14.4

Series 803 maximum Connector Weight in grams					
Contact Arr.	Cable Plug	J/N Recep Crimp	J/N Recep PCB	Flange Recep Crimp	Flange Recep PCB
10-201P	12.9	13.5	15.5	10.0	13.3
10-201S	14.4	15.1	17.1	11.6	14.9
10-202P	12.4	13.1	15.1	9.6	11.8
10-202S	14.0	14.6	16.6	11.1	14.4
12-2P	15.5	16.4	19.1	11.4	16.9
12-2S	17.2	18.0	20.8	13.1	18.6
12-3P	16.5	17.4	20.1	12.4	17.9
12-3S	18.3	19.1	21.9	14.2	19.7
12-7P	16.7	17.6	20.4	12.7	18.2
12-7S	19.4	20.2	23.0	15.3	20.8
12-37P	15.0	15.8	18.6	10.9	16.4
12-37S	16.6	17.5	19.6	12.4	16.7
12-200P	15.6	16.5	19.3	11.6	17.1
12-200S	17.9	18.8	21.6	13.9	19.4
12-201P	15.7	16.6	19.4	11.7	17.2
12-201S	18.2	19.0	21.8	14.1	19.6
12-202P	15.6	16.4	20.5	12.2	18.3
12-202S	17.6	18.4	22.1	14.2	19.9
12-203P	15.9	16.8	21	12.5	18.8
12-203S	17.9	18.7	22.5	14.5	20.3
12-204P	16	16.2	21	12.6	18.6
12-204S	18	18.8	22.5	14.6	20.3
12-205P	17.1	18	22.6	13.7	20.4
12-205S	19	19.8	24.5	15.6	22.3
12-220P	16.3	17.2	21.4	12.9	19.2
12-220S	18.7	19.5	23.3	15.3	21.1
14-5P	22.2	23.5	27.7	17.3	25.5
14-5S	24.8	26.1	29.3	19.8	25.1
14-12P	22.7	24	29.7	17.6	27.5
14-12S	25.4	26.7	30.9	20.4	26.7
14-204P	21	22.3	27.6	15.9	25.4
14-204S	24.1	25.4	28.7	19.1	24.5
14-205P	21.3	22.6	28.1	16.2	25.9
14-205S	24.4	25.7	29.1	19.4	24.9
14-206P	21.5	22.8	28.2	16.4	26
14-206S	24.6	25.9	29.4	19.6	25.2
14-207P	22.3	23.6	29.1	17.2	26.9
14-207S	25.3	26.6	30.6	20.3	26.4
14-235P	22.6	23.9	29.6	17.5	27.4
14-235S	26.3	27.6	31.3	21.3	27.1
14-55P	19.6	20.9	25.1	14.6	22.9
14-55S	22.6	23.9	27.1	17.6	23.9



Dimensions in Inches (millimeters) are subject to change without notice.

# Series 803 Mighty Mouse ¼ Turn Bayonet Plug

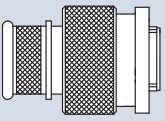
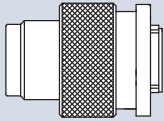
## 803-001 and 803-002 Ordering Information



**Series 803 compact size and rugged design** make them suitable for light-to-medium duty applications where water immersion is not a consideration. Splashproof design withstands exposure to rain and condensation. Bayonet coupling mechanism uses a rotating coupling nut on the plug and three integral bayonet pins on the receptacle. Push to mate, then rotate the coupling nut 90° to lock. Connector shells are machined aluminum or stainless steel. Supplied with crimp contacts, packaged separately. Terminate contacts with standard M22520 tools. Metal clips inside the connector body lock contact into place. Contacts are removable. Fluorosilicone seals and rear grommet protect connector from water ingress. Terminate cable shield directly to connector body with Band-Master™ ATS strap, or choose rear accessory thread to attach optional cable clamp or backshell. Available in shell sizes 5 through 14 in 46 contact arrangements.

### How To Order

Sample Part Number	803-001	-06	NF	9-19	P	N
<b>Series (See Table I)</b>	803-001 = Plug with Banding Platform 803-002 = Plug with Accessory Thread					
<b>Shell Style</b>	-06 = Plug					
<b>Shell Material and Finish</b>	C = Aluminum / Black Anodize (Non-Conductive); RoHS Compliant M = Aluminum / Electroless Nickel; RoHS Compliant MT = Aluminum / Nickel-PTFE RoHS Compliant NF = Aluminum / Cadmium with Olive Drab Chromate ZN = Aluminum / Zinc-Nickel with Olive Drab Chromate ZNU = Aluminum / Zinc-Nickel with Black Chromate Z1 = Stainless Steel / Passivated; RoHS Compliant UCR = Aluminum / Zinc-Cobalt with Black Chromate; RoHS Compliant					
<b>Shell Size - Insert Arrangement</b>	See Contact Arrangements Page F-2					
<b>Contact Type</b>	Connector supplied with contacts      Connector supplied without contacts P = Pin      A = Pin Connector, less contacts S = Socket      B = Socket Connector, less contacts Connectors with contacts are supplied with signal and/or power crimp contacts. These contacts are not installed. Coaxial contacts and non-standard signal contacts are ordered separately.					
<b>Shell Key Positions (See Table II)</b>	N = Normal   X = Pos. X   Y = Pos. y   Z = Pos. Z					

Table I: Series	
	
<b>803-001</b> Plug with Banding Platform	<b>803-002</b> Plug with Accessory Thread

Dimensions in Inches (millimeters) are subject to change without notice.

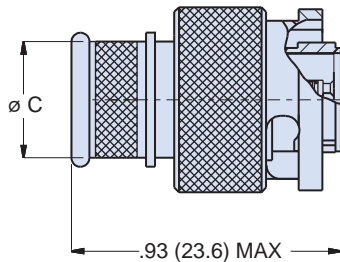
# Series 803 Mighty Mouse ¼ Turn Bayonet Coupling Plug

803-001-06 and 803-002-06 Dimensions

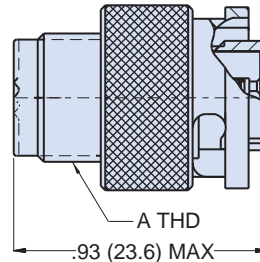


Series 803

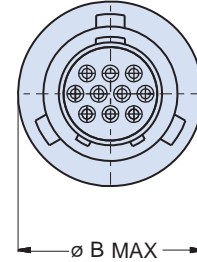
## Plug connector



**Integral Band Platform**  
803-001



**Accessory Thread**  
803-002



Dimensions					
Shell Size	A Thread UNEF-2A	Ø B Max		Ø C	
		In.	mm.	In.	mm.
5	.2500-32	.500	12.70	.245	6.22
6	.3125-32	.565	14.35	.290	7.37
7	.4375-28	.650	16.51	.390	9.91
8	.5000-28	.750	19.05	.440	11.18
9	.5625-24	.790	20.07	.500	12.70
10	.6250-24	.875	22.23	.562	14.27
12	.6875-24	.944	23.98	.650	16.51
14	.9375-20	1.095	27.81	.805	20.45

Table II: Keyway Positions			
Pos.	A°	B°	
N	150°	210°	
X	75°	210°	
Y	95°	230°	
Z	140°	275°	

Dimensions in Inches (millimeters) are subject to change without notice.





# Series 803 Mighty Mouse ¼ Turn Bayonet Receptacle 803-003 and 803-004 Ordering Information



**In-Line**



**Jam Nut**



**Flange Mount**

**Push-To-Mate, ¼ Turn to Lock.** These quick-mating connectors feature bayonet pins on the receptacle. Simply push the connectors together, then rotate the plug coupling nut 90° to lock the connectors together.

**Three Shell Mounting Options:** Jam nut with O-ring for rear panel mounting, elliptical flange for front or rear panel mounting, or in-line receptacles for free-hanging cables.

**Two Shell Styles:** Choose the integral band platform for direct attachment of a cable shield. Install a heat-shrink boot, or overmold directly onto the band platform. An accessory thread is available for attaching strain reliefs and backshells.

How To Order						
<b>Sample Part Number</b>	<b>803-003</b>	<b>-07</b>	<b>NF</b>	<b>6-7</b>	<b>S</b>	<b>N</b>
<b>Series (See Table I)</b>	<b>803-003</b> = Receptacle with Banding Platform <b>803-004</b> = Receptacle with Accessory Thread					
<b>Shell Style (See Table II)</b>	<b>-01</b> = In-Line <b>-02</b> = Flange Mount <b>-07</b> = Jam Nut					
<b>Shell Material and Finish</b>	<b>C</b> = Aluminum / Black Anodize (Non-Conductive); RoHS Compliant <b>M</b> = Aluminum / Electroless Nickel; RoHS Compliant <b>MT</b> = Aluminum / Nickel-PTFE RoHS Compliant <b>NF</b> = Aluminum / Cadmium with Olive Drab Chromate <b>ZNU</b> = Aluminum / Zinc-Nickel with Black Chromate <b>Z1</b> = Stainless Steel / Passivated; RoHS Compliant					
<b>Shell Size - Insert Arrangement</b>	See Contact Arrangements Page F-2					
<b>Contact Type</b>	Connector supplied with contacts      Connector supplied without contacts <b>P</b> = Pin <b>A</b> = Pin Connector, less contacts <b>S</b> = Socket <b>B</b> = Socket Connector, less contacts Connectors with contacts are supplied with signal and/or power crimp contacts. These contacts are not installed. Coaxial contacts and non-standard signal contacts are ordered separately.					
<b>Shell Key Positions (See Table III)</b>	<b>N</b> = Normal <b>X</b> = Pos. X <b>Y</b> = Pos. y <b>Z</b> = Pos. Z					

F

Table I: Series	
<b>803-003</b> Plug with Banding Platform	<b>803-004</b> Plug with Accessory Thread

Table II: Shell Style		
<b>-01</b> In-line	<b>-02</b> Flange Mount	<b>-07</b> Jam Nut

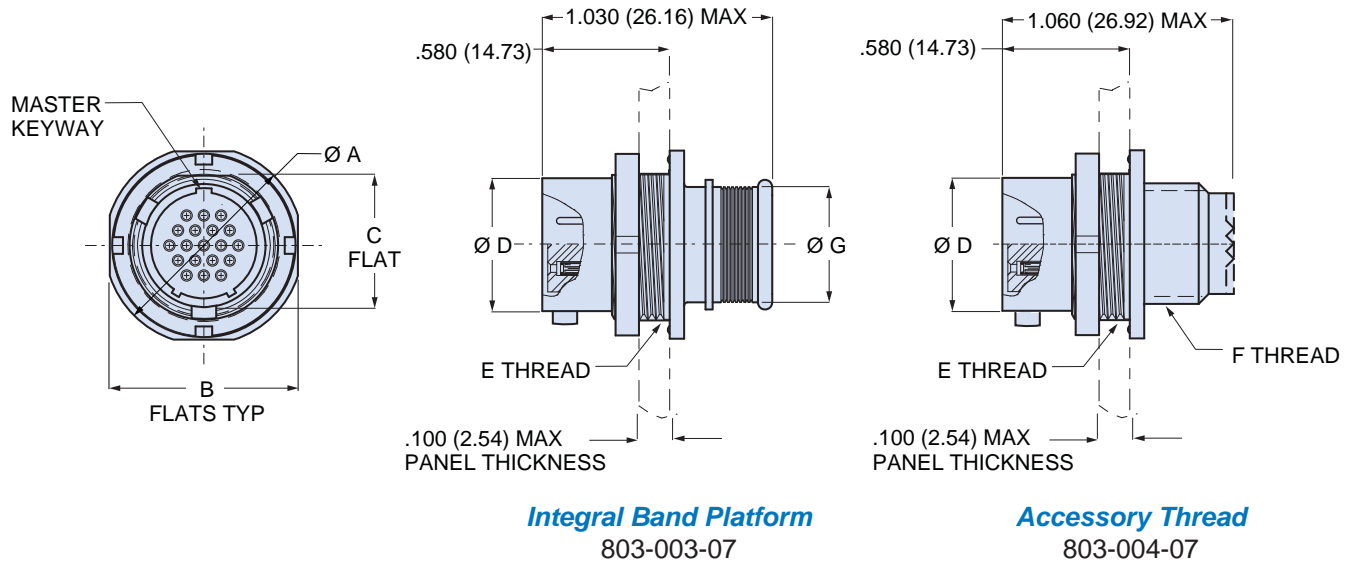
Dimensions in Inches (millimeters) are subject to change without notice.

**Series 803 Mighty Mouse  
1/4 Turn Bayonet Receptacle  
803-004-07 and 803-003-07 Dimensions**



Series 803

**Jam nut rear panel mount receptacle - shell style 07**



Dimensions												
Shell Size	Ø A		B Flats		C Flat		Ø D		E Thread	F Thread	Ø G	
	In.	mm.	In.	mm.	In.	mm.	In.	mm.			In.	mm.
5	.575	14.61	.545	13.84	.350	8.89	.300	7.62	.3750-32 UNEF-2A	.2500-32 UNEF-2A	.230	5.84
6	.635	16.13	.595	15.11	.410	10.41	.362	9.19	.4375-28 UNEF-2A	.3125-32 UNEF-2A	.286	7.26
7	.755	19.18	.723	18.36	.536	13.61	.436	11.07	.5625-32 UN-2A	.4375-28 UNEF-2A	.390	9.91
8	.755	19.18	.790	20.11	.593	15.10	.508	12.91	.6250-28 UN-2A	.5000-28 UNEF-2A	.440	11.18
9	.830	21.08	.790	20.07	.596	15.14	.561	14.25	.6250-28 UN-2A	.5625-24 UNEF-2A	.500	12.70
10	.890	22.61	.925	23.51	.721	18.31	.635	16.13	.7500-28 UN-2A	.6250-24 UNEF-2A	.562	14.27
12	1.078	27.38	1.044	26.52	.845	21.46	.714	18.14	.8750-28 UN-2A	.6875-24 UNEF-2A	.650	16.51
14	1.264	32.11	1.230	31.24	1.022	25.96	.865	21.97	1.0625-20 UN-2A	.9375-20 UNEF-2A	.805	20.45

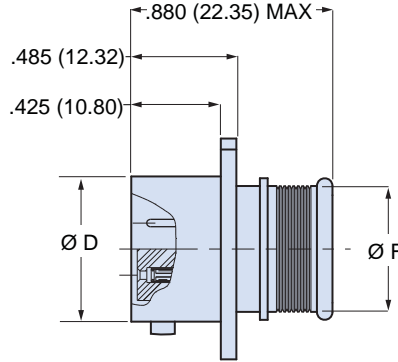
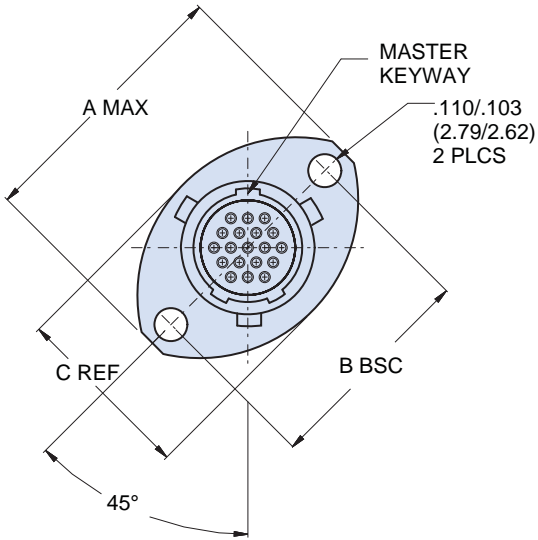
Table III: Alternate Key Positions				
Pos.	A°		B°	
	In.	mm.	In.	mm.
N	150°		210°	
X	75°		210°	
Y	95°		230°	
Z	140°		275°	

Jam Nut Panel Cutout Dimensions				
Shell Size	A Flat		Ø B	
	In. ± .002	mm. ± 0.05	In.	mm.
5	.355	9.02	.382	9.70
6	.415	10.54	.445	11.30
7	.541	13.74	.572	14.53
8	.601	15.27	.635	16.13
9	.601	15.27	.643	16.33
10	.729	18.52	.760	18.29
12	.850	21.59	.885	22.48
14	1.031	26.19	1.072	27.23

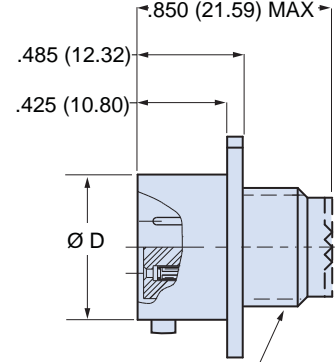
Dimensions in Inches (millimeters) are subject to change without notice.

F

**Flange mount front or rear panel mount receptacle - shell style 02**



**Integral Band Platform**  
 803-003-02

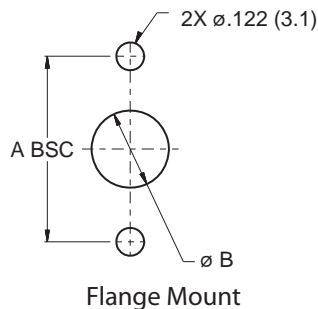


**Accessory Thread**  
 803-004-02

Dimensions											
Shell Size	A Max.		B Bsc.		C Ref.		Ø D		E Thread	Ø F	
	In.	mm.	In.	mm.	In.	mm.	In.	mm.		In.	mm.
5	.703	17.86	.513	13.03	.460	11.68	.300	7.62	.2500-32 UNEF-2A	.230	5.84
6	.788	20.02	.598	15.19	.522	13.26	.362	9.19	.3125-32 UNEF-2A	.286	7.26
7	.890	22.61	.708	17.98	.590	14.99	.436	11.07	.4375-28 UNEF-2A	.390	9.91
8	1.154	29.31	.964	24.49	.668	16.97	.508	12.91	.5000-28 UNEF-2A	.440	11.18
9	1.207	30.66	1.017	25.83	.721	18.31	.561	14.25	.5625-24 UNEF-2A	.500	12.70
10	1.291	32.79	1.101	27.97	.795	20.19	.635	16.13	.6250-24 UNEF-2A	.562	14.27
12	1.394	35.41	1.204	30.58	.874	22.20	.714	18.14	.6875-24 UNEF-2A	.650	16.51
14	1.545	39.24	1.280	32.51	1.050	26.67	.865	21.97	.9375-20 UNEF-2A	.805	20.45

F

Flange Mount Panel Cutout Dimensions				
Shell Size	A		Ø B	
	In.	mm.	In.	mm.
5	.513	13.03	.365	9.25
6	.598	15.19	.430	10.92
7	.708	17.98	.520	13.21
8	.964	17.98	.592	15.04
9	1.017	25.83	.645	16.38
10	1.101	27.97	.726	18.44
12	1.204	30.58	.832	21.13
14	1.280	32.51	.945	24.00



Dimensions in Inches (millimeters) are subject to change without notice.

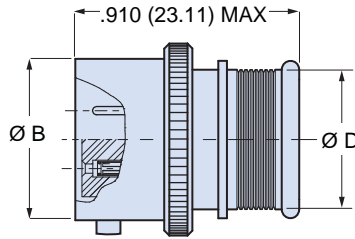
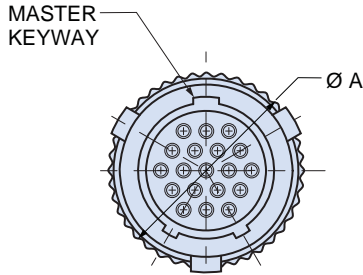


**Series 803 Mighty Mouse  
1/4 Turn Bayonet Receptacle  
803-004-01 and 803-003-01 Dimensions**

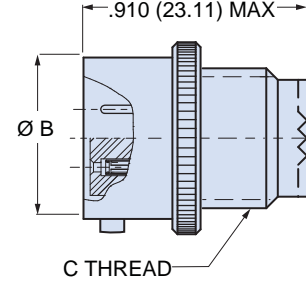


Series 803

***In-line cable receptacle - shell style 01***



**Integral Band Platform**  
803-003-01



**Accessory Thread**  
803-004-01

Dimensions							
Shell Size	Ø A Max.		Ø B		C Thread	Ø D	
	In.	mm.	In.	mm.		In.	mm.
5	.402	10.21	.300	7.62	.2500-32 UNEF-2A	.230	5.84
6	.465	11.81	.362	9.19	.3125-32 UNEF-2A	.286	7.26
7	.500	12.70	.436	11.07	.4375-28 UNEF-2A	.390	9.91
8	.570	14.48	.508	12.90	.5000-28 UNEF-2A	.440	11.18
9	.652	16.56	.561	14.25	.5625-24 UNEF-2A	.500	12.70
10	.715	18.15	.635	16.13	.6250-24 UNEF-2A	.562	14.27
12	.805	20.45	.714	18.14	.6875-24 UNEF-2A	.650	16.51
14	.915	23.24	.865	21.97	.9375-20 UNEF-2A	.805	20.45

Dimensions in Inches (millimeters) are subject to change without notice.



## Series 803 Mighty Mouse ¼ Turn Bayonet PC Tail and Solder Cup Receptacle 803-005 and 803-015 Ordering Information



**Printed Circuit Board/ Solder Cup Receptacles** feature low profile shells for minimum protrusion inside enclosures and integral standoffs for board washout. Contacts are non-removable.

**Water Immersion, Unmated** Specify 803-005 connectors for applications where open face water immersion is not a requirement. For MIL-STD-810 Method 512G immersion requirements, specify 803-015 watertight connectors. These 803-015 connectors are specially sealed ("MOD-518") and are 100% tested to maintain a helium leak rate of  $1 \times 10^{-4}$  cc/second at one atmosphere pressure differential from  $-40^{\circ}\text{C}$  to  $+70^{\circ}\text{C}$ .

**NOTE: mated connectors are not submersible.**

### How To Order

Sample Part Number	803-005	-02	ZN	6-7	S	N
<b>Series</b>	803-005 = Receptacle, Solder Cup or PCB Contacts					
	803-015 = Receptacle, Solder Cup or PCB Contacts; Watertight					
<b>Shell Style (See Table I)</b>	-02 = Flange Mount -07 = Jam Nut (See Page					
<b>Shell Material and Finish</b>	C = Aluminum / Black Anodize (Non-Conductive); RoHS Compliant M = Aluminum / Electroless Nickel; RoHS Compliant MT = Aluminum / Nickel-PTFE RoHS Compliant NF = Aluminum / Cadmium with Olive Drab Chromate ZNU = Aluminum / Zinc-Nickel with Black Chromate Z1 = Stainless Steel / Passivated; RoHS Compliant					
<b>Shell Size - Insert Arrangement</b>	See Contact Arrangements Page F-2					
<b>Contact Type</b>	P = Pin, PC Tail S = Socket PC Tail		E = Pin, Solder Cup F = Socket, Solder Cup			
<b>Shell Key Positions (See Table II)</b>	N = Normal X = Pos. X Y = Pos. y Z = Pos. Z					

F

Table I: Shell Style

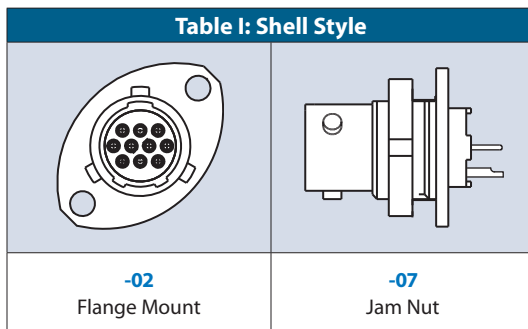
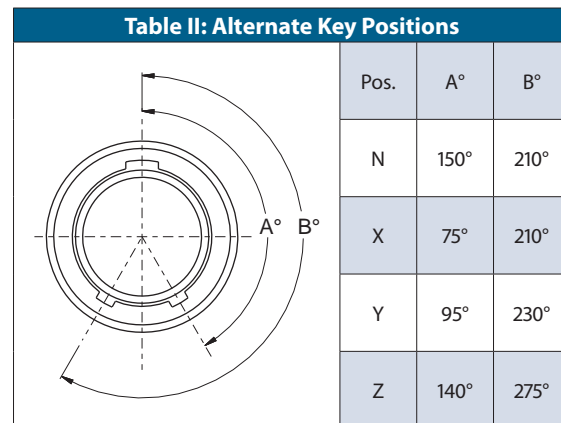


Table II: Alternate Key Positions



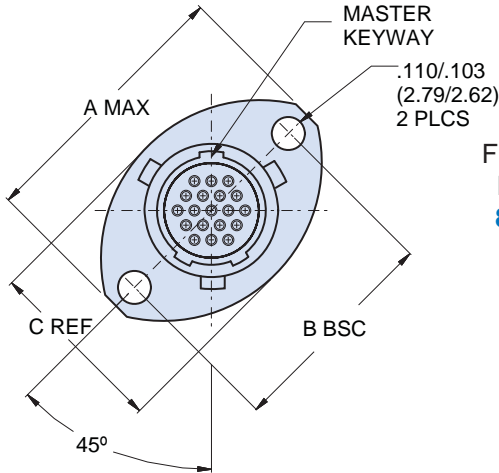
Dimensions in Inches (millimeters) are subject to change without notice.

Series 803 Mighty Mouse ¼ Turn Bayonet  
PC Tail and Solder Cup Receptacle  
803-005 and 803-015 Dimensions

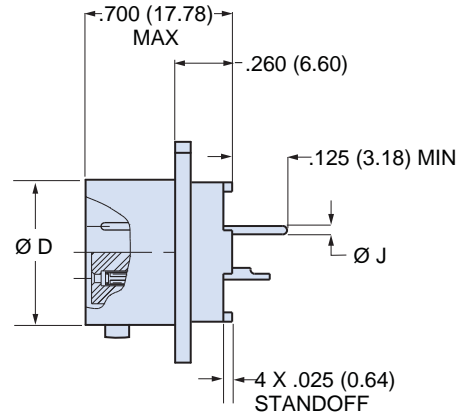


Series 803

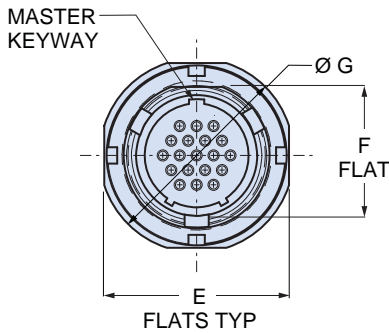
**Flange mount front or rear panel mount receptacle - shell style 02**



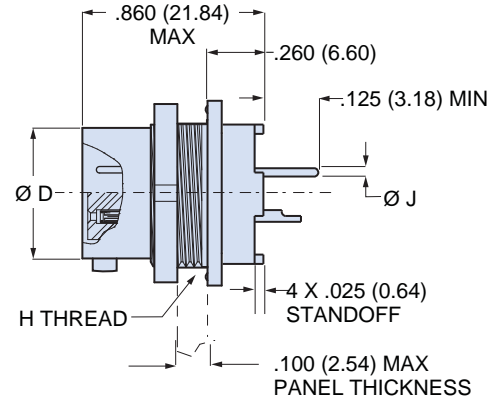
Flange Mount Receptacle  
**803-005-02**



**Jam nut rear panel mount receptacle - shell style 01**



Jam Nut Receptacle  
**803-005-07**



Dimensions																
Shell Size	A Max.		B Bsc.		C Ref.		Ø D		E Flats		F Flat		Ø G		H Thread	Ø J Tail Dia.
	In.	mm.	In.	mm.	In.	mm.	In.	mm.	In.	mm.	In.	mm.	In.	mm.		
5	.703	17.86	.513	13.03	.460	11.68	.300	7.62	.545	13.84	.350	8.89	.575	14.61	.3750-32 UNEF-2A	#23 .018/.022 (0.46/0.56) #20 .024/.028 (0.61/0.71) #16 .060/.064 (1.52/1.63) #12 .092/.096 (2.34/2.44)
6	.788	20.02	.598	15.19	.522	13.26	.362	9.19	.595	15.11	.410	10.42	.635	16.13	.4375-28 UNEF-2A	
7	.890	22.61	.708	17.98	.590	14.99	.436	11.07	.723	18.36	.536	13.61	.755	19.18	.5625-32 UN-2A	
8	1.154	29.31	.964	24.49	.668	16.97	.508	12.91	.790	18.36	.593	14.53	.755	19.18	.6250-28 UN-2A	
9	1.207	30.66	1.017	25.83	.721	18.31	.561	14.25	.790	20.07	.596	15.14	.830	21.08	.6250-28 UN-2A	
10	1.291	32.79	1.101	27.97	.795	20.19	.635	16.13	.925	21.72	.721	18.31	.890	22.61	.7500-28 UN-2A	
12	1.394	35.41	1.204	30.58	.874	22.20	.714	18.14	1.044	26.52	.845	21.46	1.078	27.38	.8750-28 UN-2A	
14	1.545	39.24	1.280	32.51	1.050	26.67	.865	21.97	1.230	31.24	1.022	25.96	1.264	32.11	1.0625-20 UN-2A	

Dimensions in Inches (millimeters) are subject to change without notice.



# Series 803 Mighty Mouse ¼ Turn Bayonet Coupling Hermetic Receptacle

## 803-006 Ordering Information



**Series 803 Hermetic Receptacles** feature 304L stainless steel shells, fused vitreous glass insulators and gold-plated Alloy 52 iron alloy contacts.

**1 X 10<sup>-7</sup> cc/second** maximum helium leak rate when tested at 1 atmosphere vacuum.

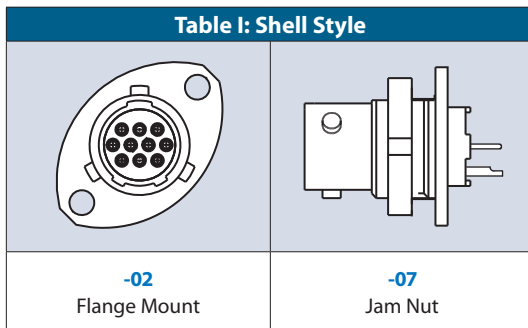
**Two Shell Styles** are available:  
Jam Nut and Flange Mount.

**1000 PSI Pressure Rating** in open face (unmated) condition.

### How To Order

Sample Part Number	803-006	-07	Z1	9-19	P	N
<b>Series</b>	803-006 = Hermetic Receptacle, Solder Cup or PCB Contacts					
<b>Shell Style (See Table I)</b>	-02 = Flange Mount    -07 = Jam Nut					
<b>Shell Material and Finish</b>	Z1 = Stainless Steel / Passivated; RoHS Compliant ZL = Stainless Steel/Nickel Plated					
<b>Shell Size - Insert Arrangement</b>	See Contact Arrangements Page F-2					
<b>Contact Type</b>	P = Pin, PC Tail S = Socket PC Tail			E = Pin, Solder Cup F = Socket, Solder Cup		
<b>Shell Key Positions (See Table II)</b>	N = Normal    X = Pos. X    Y = Pos. y    Z = Pos. Z					

**Table I: Shell Style**



**Table II: Alternate Key Positions**

Pos.	A°	B°
N	150°	210°
X	75°	210°
Y	95°	230°
Z	140°	275°

**Panel Cut-Out Dimensions**

Shell Size	Ø M		B Bsc.		H Flat ± .002		Ø J	
	In.	mm.	In.	mm.	In.	mm.	In.	mm.
5	.382	9.70	0.513	13.03	.353	8.97	.382	9.70
6	.445	11.30	0.598	15.19	.415	10.54	.445	11.30
7	.520	13.21	0.708	17.98	.541	13.74	.572	14.53
8	.592	15.04	0.964	24.49	.601	15.27	.635	16.13
9	.645	16.38	1.017	25.83	.601	15.27	.643	16.33
10	.726	18.44	1.101	27.97	.729	18.52	.760	19.30
12	.832	21.13	1.204	30.58	.850	21.59	.885	22.48
14	.950	24.13	1.280	32.51	1.031	26.19	1.072	27.23

Dimensions in Inches (millimeters) are subject to change without notice.

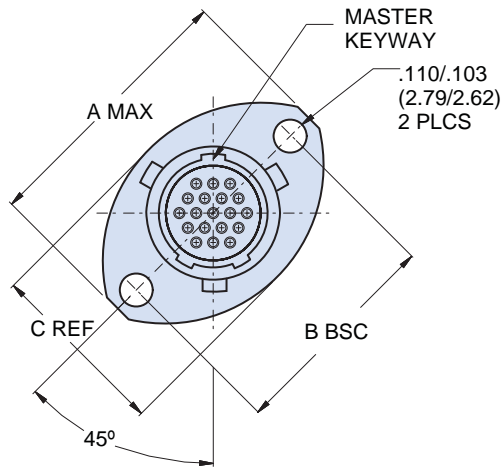
# Series 803 Mighty Mouse ¼ Turn Bayonet Coupling Hermetic Receptacle

## 803-006-02 and 803-006-07 Dimensions

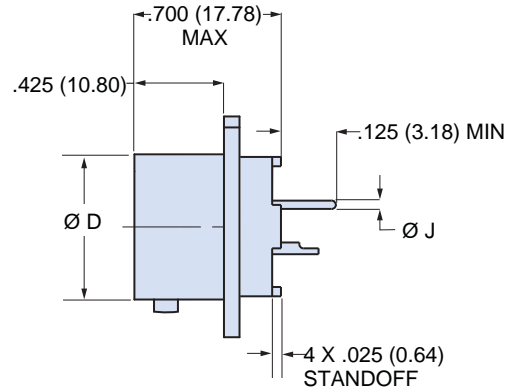


Series 803

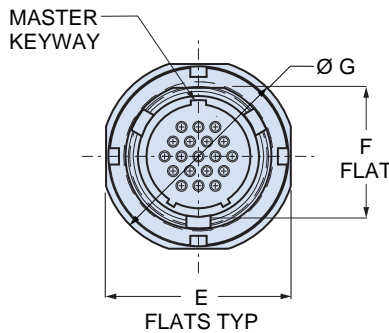
### Flange mount front or rear panel mount receptacle - shell style 02



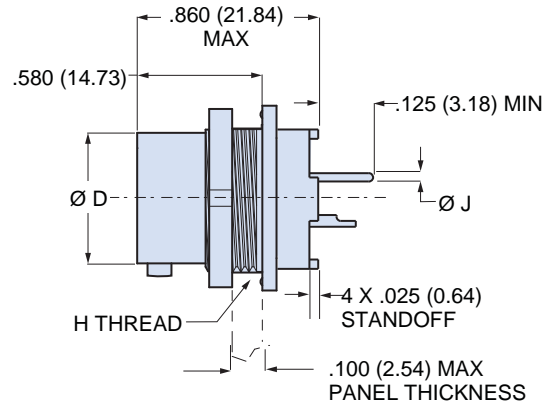
Flange Mount Receptacle  
803-006-02



### Jam nut rear panel mount receptacle - shell style 07



Jam Nut Receptacle  
803-006-07



Dimensions																
Shell Size	A Max.		B Bsc.		C Ref.		Ø D		E Flats		F Flat		Ø G		H Thread	Ø J Tail Dia.
	In.	mm.	In.	mm.	In.	mm.	In.	mm.	In.	mm.	In.	mm.	In.	mm.		
5	.703	17.86	.513	13.03	.460	11.68	.300	7.62	.545	13.84	.350	8.89	.575	14.61	.3750-32 UNEF-2A	#23 .018/.022 (0.46/0.56)
6	.788	20.02	.598	15.19	.522	13.26	.362	9.19	.595	15.11	.410	10.42	.635	16.13	.4375-28 UNEF-2A	#20 .024/.028 (0.61/0.71)
7	.890	22.61	.708	17.98	.590	14.99	.436	11.07	.723	18.36	.536	13.61	.755	19.18	.5625-32 UN-2A	#16 .060/.064 (1.52/1.63)
8	1.154	29.31	.964	24.49	.668	16.97	.508	12.91	.790	20.07	.593	15.10	.830	19.18	.6250-32 UN-2A	#12 .092/.096 (2.34/2.44)
9	1.207	30.66	1.017	25.83	.721	18.31	.561	14.25	.790	20.07	.593	15.10	.830	21.08	.6250-28 UN-2A	
10	1.291	32.79	1.101	27.97	.795	20.19	.635	16.13	.925	23.51	.721	18.31	.955	24.26	.7500-28 UN-2A	
12	1.394	35.41	1.204	30.58	.874	22.20	.714	18.14	1.044	26.52	.845	21.46	1.078	27.38	.8750-28 UN-2A	
14	1.545	39.24	1.280	32.51	1.050	26.67	.865	21.97	1.230	31.24	1.022	25.96	1.264	32.11	1.0625-20 UN-2A	

Dimensions in Inches (millimeters) are subject to change without notice.





# Series 803 Mighty Mouse ¼ Turn Bayonet Coupling Bulkhead Feed-Thru Receptacle

## 803-010 Ordering Information



**Series 803 Bulkhead Feed-Thru Receptacles** feature quarter turn bayonet coupling in two shell options, jam nut with o-ring for rear panel mounting, or elliptical flange mount for rear panel mounting. Gold plated contacts and LCP insulators. Available in aluminum or stainless steel shell.

How To Order	
<b>Sample Part Number</b>	803-010 -07 M 6-7 P N
<b>Series</b>	803-010 = Solder Cup or PCB Contacts
<b>Shell Style (See Table I)</b>	-02 = Flange Mount -07 = Jam Nut
<b>Shell Material and Finish</b>	C = Aluminum / Black Anodize (Non-Conductive); RoHS Compliant M = Aluminum / Electroless Nickel; RoHS Compliant MT = Aluminum / Nickel-PTFE RoHS Compliant NF = Aluminum / Cadmium with Olive Drab Chromate ZNU = Aluminum / Zinc-Nickel with Black Chromate Z1 = Stainless Steel / Passivated; RoHS Compliant
<b>Shell Size - Insert Arrangement</b>	Available in Shell Sizes 5 Thru 15 – See Contact Arrangements Page F-2
<b>Contact Type, Jam Nut Side</b>	P = Pin, PC Tail S = Socket PC Tail
<b>Contact Type, Opposite Side</b>	P = Pin, PC Tail S = Socket PC Tail
<b>Shell Key Positions (See Table III)</b>	N = Normal X = Pos. X Y = Pos. y Z = Pos. Z

**Table I: Shell Style**

-02 Flange Mount	-07 Jam Nut

**Table II: Alternate Key Positions**

	Pos.	A°	B°
	N	150°	210°
	X	75°	210°
	Y	95°	230°
	Z	140°	275°

**Jam Nut Panel Cutout Dimensions**

Shell Size	A Flat		Ø B	
	In.	mm.	In.	mm.
5	.353	8.97	.382	9.70
6	.416	10.57	.445	11.30
7	.539	13.69	.572	14.53
8	.539	13.69	.583	14.81
9	.599	15.21	.643	16.33
10	.669	16.99	.720	18.29
12	.848	21.54	.885	22.48
14	1.029	26.14	1.072	27.23

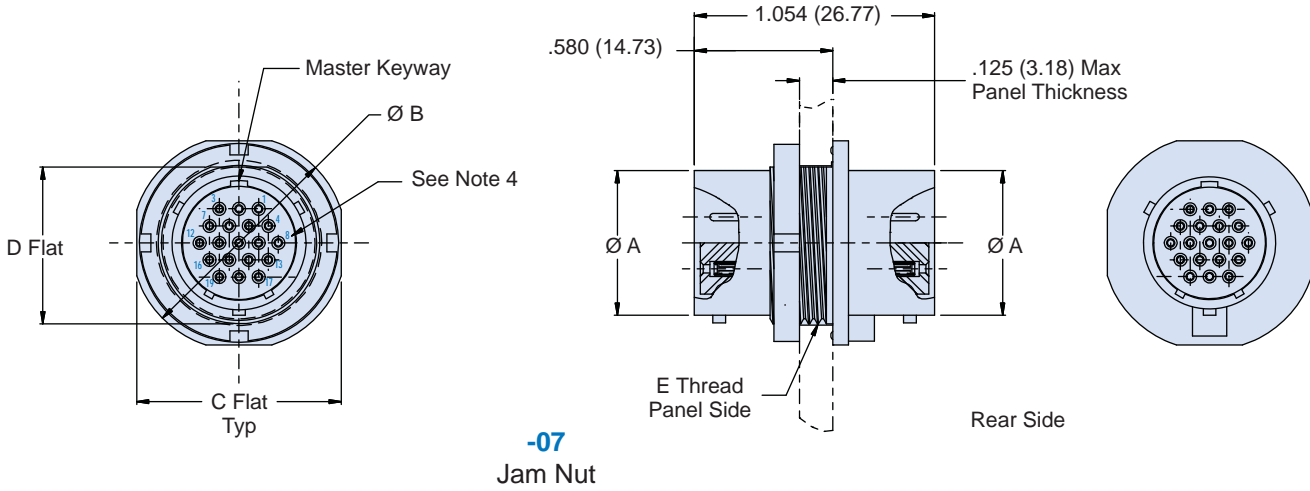
Dimensions in Inches (millimeters) are subject to change without notice.

# Series 803 Mighty Mouse ¼ Turn Bayonet Coupling Bulkhead Feed-Thru Receptacle 803-010 Dimensions



Series 803

## Jam nut rear panel mount receptacle - shell style 07



## Flange mount front or rear panel mount receptacle - shell style 02

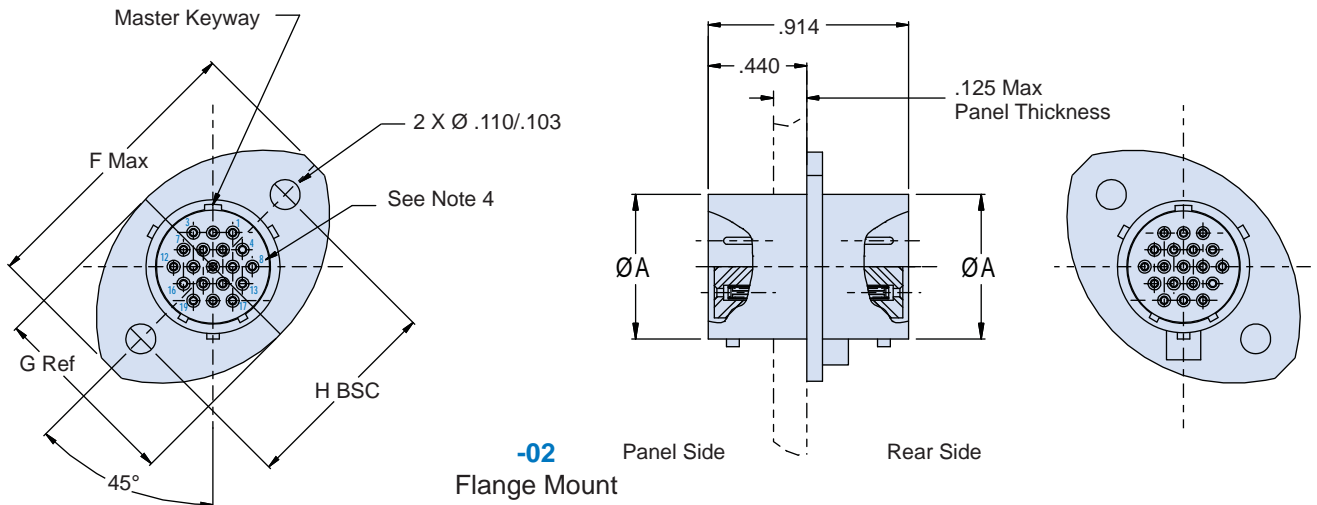


Table I: Dimensions										
Shell Size	Ø A	Ø B	C Flat	D Flat	E Thread	F Max	G Ref	H Bsc	J Flat +.004 -.000	Ø K ±.005
5	0.300	0.575	0.545	0.350	.3750-32 UNEF-2A	0.703	0.460	0.513	0.353	0.382
6	0.362	0.635	0.595	0.410	.4375-28 UNEF-2A	0.788	0.522	0.598	0.413	0.445
7	0.436	0.755	0.723	0.536	.5625-32 UN-2A	0.890	0.590	0.708	0.539	0.572
8	0.508	0.755	0.723	0.534	.5625-32 UN-2A	1.154	0.668	0.964	0.539	0.583
9	0.561	0.830	0.790	0.596	.6250-28 UN-2A	1.207	0.721	1.017	0.599	0.643
10	0.635	0.890	0.855	0.663	.6875-28 UN-2A	1.291	0.795	1.101	0.669	0.720
12	0.714	1.078	1.044	0.845	.875-28 UN-2A	1.394	0.874	1.204	0.848	0.885
14	0.865	1.264	1.230	1.022	1.0625-20 UN-2A	1.545	1.050	1.280	1.029	1.072
15	0.925	1.325	1.290	1.096	1.125-28 UN-2A	1.630	1.150	1.370	1.099	1.135

Dimensions in Inches (millimeters) are subject to change without notice.

## Series 803 Harsh Environment Shielded Cordsets



High performance Mighty Mouse cordsets feature easy ordering and fast delivery. These fully shielded and watertight assemblies withstand abrasion, temperature extremes and chemicals. Flexible overmolding provides rugged, watertight protection to wire and shield. Two styles are available: **Style 1** polyamide overmold and polyurethane cable jacket, and **Style 2** improved temperature range, high flexibility thermoplastic rubber overmold and cable jacket. Overmolded Mighty Mouse cordsets are suitable for military gear and other hostile environments where interconnect reliability and survivability is essential.

### Product Features

- Single-ended or double-ended
- Rugged, watertight construction
- 100% electrically tested
- Flexible to -55°C. (Style 2)
- Stainless steel shield termination band
- Resistant to chemicals
- Withstands UV and ozone

F

### High-Speed Cordsets

Controlled impedance twisted pair cordsets for Ethernet, USB and other protocols are available. Please refer to Section U

### Harsh Environment Cordset Selection Guide

Property	Style 1 Polyurethane Jacket Polyamide Overmold	Style 2 Rubber Jacket Rubber Overmold
Cable jacket	Thermoplastic polyurethane (TPU), black	Thermoplastic elastomer (TPV), black
Overmold	Polyamide, black	Thermoplastic elastomer (TPV), black
Operating temperature	-30° C. to +105° C.	-55° C. to +135° C.
Flexibility	Good	Excellent
Water Resistance	Waterproof	Waterproof
Solvent Resistance, Cable Jacket	Excellent	Good
Solvent Resistance, Overmold	Fair <sup>(1)</sup>	Good
Weatherability	Excellent	Excellent
Abrasion Resistance	Excellent	Good
Flammability	Flame retardant UL 94 V-0	Flame retardant UL 94 HB
Low Smoke, Zero Halogen Cable Jacket	Yes	No

(1) Excellent resistance to most solvents, fuels, and oils; poor resistance to strong acids and bipolar solvents (alcohol)

### Specifications

Cable jacket	Style 1: thermoplastic polyurethane, black, low-smoke, zero-halogen Style 2: thermoplastic elastomer, black
Overmold	Style 1: polyamide Style 2: thermoplastic elastomer, black
Cable shield	Tin-coated copper braid, 90% minimum coverage
Conductors	Silver coated stranded wire, TFE insulated, per M22759/11
Shield Termination	Band-Master™ ATS stainless steel shield termination band
Current rating	#23-5 amps, #20-7.5 amps, #16-13 amps, #12-23 amps
Test voltage (DWV)	#23 750 Vac, #20 750 vac, #16 and #12 1800 VAC sea level
Insulation resistance	200 Megohms minimum
Shielding effectiveness	50 dB minimum from 100MHz to 1000MHz.

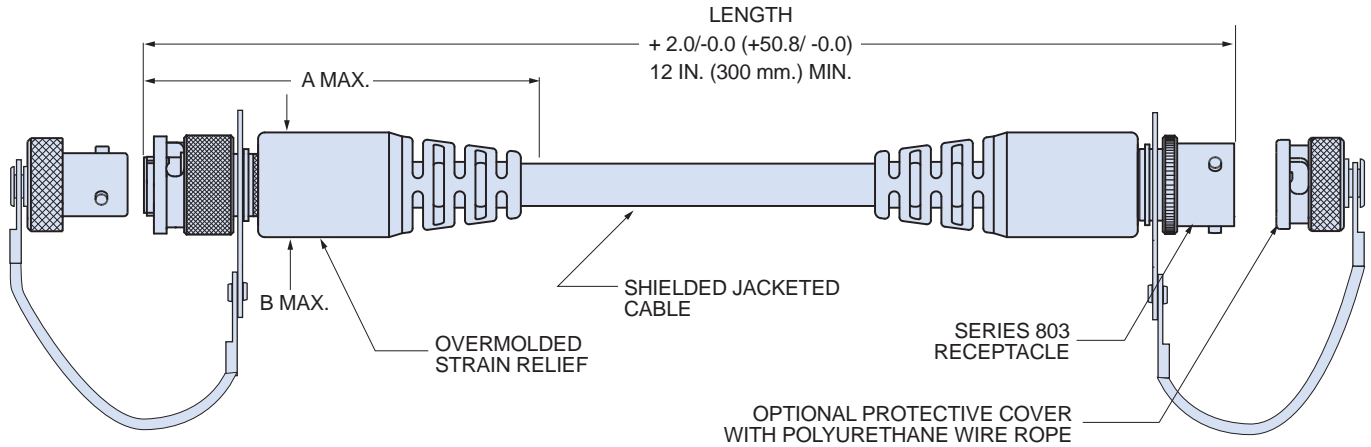
Dimensions in Inches (millimeters) are subject to change without notice.



# Series 803 Mighty Mouse ¼ Turn Bayonet Coupling Shielded Overmolded Harsh Environment Cordsets Dimensions



Series 803



Dimensions				
Shell Size	A Max.		B Max.	
	In.	mm.	In.	mm.
5	2.38	60.45	0.50	12.70
6	2.48	62.99	0.55	13.97
7	2.58	65.53	0.65	16.51
8	2.65	67.31	0.71	18.03
9	2.85	72.39	0.78	19.81
10	2.82	71.63	0.82	20.83
12	3.00	76.20	0.9	22.86
14	3.20	81.28	1.10	27.94

## NOTES

- Double-ended cordsets are wired pin #1 to pin #1, #2 to #2, and so on.
- Wires are silver-coated stranded copper with TFE insulation, 600V, in accordance with M22759/11.
- Wire color is white.

Dimensions in Inches (millimeters) are subject to change without notice.



# Series 803 Mighty Mouse ¼ Turn Bayonet Coupling Shielded Overmolded Harsh Environment Cordsets

## 803-009, 030, -016, and -031 Ordering Information

Series 803 Cordsets with #23 Contacts								
Sample Part Number								
803-009	-A	C	2	M	8-28	N	X	-36
Series	End A Connector	End B Connector	Wire Size	Shell Material / Finish	Insert Arr.	Protective Cover	Shell Key Pos.	Length
<b>803-009</b> <b>Style 1</b> Polyurethane Cable Jacket, Polyamide Overmold	<b>-A</b> Plug, with Male Pin Contacts	<b>A</b> Plug, with Male Pin Contacts	<b>2</b> #22 AWG	<b>M</b> Aluminum / Electroless Nickel	See page F-2 for insert arr.	<b>P</b> Metal Protective Covers Included	<b>N</b> Normal	Overall Length In Inches 12 Inch Min.
<b>803-030</b> <b>Style 2</b> Rubber Cable Jacket and Overmold	<b>-B</b> Plug, with Female Socket Contacts	<b>B</b> Plug, with Female Socket Contacts	<b>4</b> #24 AWG	<b>NF</b> Aluminum / Cadmium with OD Chromate	Consult Factory for Combo Arr.	<b>N</b> No Covers Supplied	<b>X</b> Pos. X <b>Y</b> Pos. Y <b>Z</b> Pos. Z	
	<b>-C</b> Receptacle, with Male Pin Contacts	<b>C</b> Receptacle, with Male Pin Contacts		<b>ZNU</b> Aluminum / Zinc-Nickel with Black Chromate				
	<b>-D</b> Receptacle, with Female Socket Contacts	<b>D</b> Receptacle, with Female Socket Contacts		<b>MT</b> Aluminum / Nickel-PTFE			See page F-3	
		<b>N</b> No Connector (Single-Ended)		<b>Z1</b> Stainless Steel / Passivated				

Series 803 Cordsets with #20HD Contacts								
Sample Part Number								
803-041	-A	C	0	M	8-28	N	X	-36
Series	End A Connector	End B Connector	Wire Size	Shell Material / Finish	Insert Arr.	Protective Cover	Shell Key Pos.	Length
<b>803-016</b> <b>Style 1</b> Polyurethane Cable Jacket, Polyamide Overmold	<b>-A</b> Plug, with Male Pin Contacts	<b>A</b> Plug, with Male Pin Contacts	<b>0</b> #20 AWG	<b>M</b> Aluminum / Electroless Nickel	See page F-2 for insert arr.	<b>P</b> Metal Protective Covers Included	<b>N</b> Normal	Overall Length In Inches 12 Inch Min.
<b>803-031</b> <b>Style 2</b> Rubber Cable Jacket and Overmold,	<b>-B</b> Plug, with Female Socket Contacts	<b>B</b> Plug, with Female Socket Contacts	<b>2</b> #22 AWG	<b>NF</b> Aluminum / Cadmium with OD Chromate	Consult Factory for Combo Arr.	<b>N</b> No Covers Supplied	<b>X</b> Pos. X <b>Y</b> Pos. Y <b>Z</b> Pos. Z	
	<b>-C</b> Receptacle, with Male Pin Contacts	<b>C</b> Receptacle, with Male Pin Contacts		<b>ZNU</b> Aluminum / Zinc-Nickel with Black Chromate				
	<b>-D</b> Receptacle, with Female Socket Contacts	<b>D</b> Receptacle, with Female Socket Contacts		<b>MT</b> Aluminum / Nickel-PTFE			See page F-3	
		<b>N</b> No Connector (Single-Ended)		<b>Z1</b> Stainless Steel / Passivated				

Dimensions in Inches (millimeters) are subject to change without notice.

# Series 803 Mighty Mouse ¼ Turn Bayonet Coupling Shielded Overmolded Harsh Environment Cordsets

## 803-013, -032, -014 and -033 Ordering Information



Series 803

Series 803 Cordsets with #16 Contacts								
Sample Part Number								
803-013	-A	C	6	M	8-28	N	X	-36
Series	End A Connector	End B Connector	Wire Size	Shell Material/ Finish	Insert Arr.	Protective Cover	Shell Key Pos.	Length
<b>803-013</b> <b>Style 1</b> Polyurethane Cable Jacket, Polyamide Overmold	<b>-A</b> Plug, with Male Pin Contacts	<b>A</b> Plug, with Male Pin Contacts	<b>6</b> #16 AWG	<b>M</b> Aluminum / Electroless Nickel	See page F-2 for insert arr.	<b>P</b> Metal Protective Covers Included	<b>N</b> Normal	Overall Length In Inches 12 Inch Min.
<b>803-032</b> <b>Style 2</b> Rubber Cable Jacket and Rubber Overmold	<b>-B</b> Plug, with Female Socket Contacts	<b>B</b> Plug, with Female Socket Contacts	<b>8</b> #18 AWG	<b>NF</b> Aluminum / Cadmium with OD Chromate	Consult Factory for Combo Arr.	<b>N</b> No Covers Supplied	<b>X</b> Pos. X <b>Y</b> Pos. Y <b>Z</b> Pos. Z	
	<b>-C</b> Receptacle, with Male Pin Contacts	<b>C</b> Receptacle, with Male Pin Contacts		<b>ZNU</b> Aluminum / Zinc-Nickel with Black Chromate				
	<b>-D</b> Receptacle, with Female Socket Contacts	<b>D</b> Receptacle, with Female Socket Contacts		<b>MT</b> Aluminum / Nickel-PTFE			See page F-3	
		<b>N</b> No Connector (Single-Ended)		<b>Z1</b> Stainless Steel / Passivated				

Series 803 Cordsets with #20HD Contacts								
Sample Part Number								
803-014	-A	C	0	M	8-28	N	X	-36
Series	End A Connector	End B Connector	Wire Size	Shell Material / Finish	Insert Arr.	Protective Cover	Shell Key Pos.	Length
<b>803-014</b> <b>Style 1</b> Polyurethane Cable Jacket, Polyamide Overmold,	<b>-A</b> Plug, with Male Pin Contacts	<b>A</b> Plug, with Male Pin Contacts	<b>0</b> #20 AWG	<b>M</b> Aluminum / Electroless Nickel	See page F-2 for insert arr.	<b>P</b> Metal Protective Covers Included	<b>N</b> Normal	Overall Length In Inches 12 Inch Min.
<b>803-033</b> <b>Style 2</b> Rubber Cable Jacket and Rubber Overmold,	<b>-B</b> Plug, with Female Socket Contacts	<b>B</b> Plug, with Female Socket Contacts	<b>2</b> #22 AWG	<b>NF</b> Aluminum / Cadmium with OD Chromate	Consult Factory for Combo Arr.	<b>N</b> No Covers Supplied	<b>X</b> Pos. X <b>Y</b> Pos. Y <b>Z</b> Pos. Z	
	<b>-C</b> Receptacle, with Male Pin Contacts	<b>C</b> Receptacle, with Male Pin Contacts		<b>ZNU</b> Aluminum / Zinc-Nickel with Black Chromate				
	<b>-D</b> Receptacle, with Female Socket Contacts	<b>D</b> Receptacle, with Female Socket Contacts		<b>MT</b> Aluminum / Nickel-PTFE			See page F-3	
		<b>N</b> No Connector (Single-Ended)		<b>Z1</b> Stainless Steel / Passivated				



Dimensions in Inches (millimeters) are subject to change without notice.

## Series 803 Ultraflexible “Phantom Cable” Cordsets



### Product Features

- Overbraided cable jacket for excellent flexibility
- Ultra-lightweight AmberStrand® EMI shield
- 100% electrically tested
- Flexible to -55°C.
- Stainless steel shield termination band

F

### Application Note

Overbraided textile jackets are ideal for applications where flexibility and weight are important. However, water can penetrate through the jacket and cable shield. Dust and contamination can also become entrapped in the braid. Braided jackets are prone to fraying damage caused by snagging on velcro closures and MOLLE vests. Extruded cable jackets are recommended if debris entrapment, moisture ingress or fraying damage are concerns.

Phantom Cable cordsets feature high-flex rubber-insulated wires, lightweight shield and overbraided jackets for maximum flexibility, reduced size and minimum weight. Flexible rubber overmold provides strain relief and environmental sealing. EMI shield options include high-strength, ultralightweight Amberstrand® nickel-coated composite braid, ArmorLite™ or lightweight, high flexibility tinned copper braid. Braid outer jackets are available with NOMEX®, HALAR® or PTFE-coated fiberglass.

#### Braid Shield Selection Guide

Property	Amberstrand®	Armorlite®	Copper
Type	Nickel-coated high-strength super fiber	Micro-filament nickel-coated stainless steel	Tin-coated copper
Weight/ft. (0.5 in. ID)	3.7 grams	4.4 grams	22.3 grams
Operating Temp <sup>(1)</sup>	-65° C to +200° C	-80° C to +260° C	-80° C to +150° C
Coverage	90% min.	90% min.	90% min.
Flexibility	Excellent	Excellent	Good
Cost Comparison	\$\$\$	\$\$	\$

(1) Rubber wires and rubber overmold are rated for -55° C to +135° C.

#### Jacket Selection Guide

Property	NOMEX®	HALAR®	PTFE Coated Fiberglass
Color	Black or olive drab	Black	Tan
Operating Temp <sup>(1)</sup>	-55° C to +260° C	-73° C to +150° C	-75° C to +300° C
Chemical Resistance	Excellent	Excellent	Excellent
Flammability	Self-extinguishing, will not melt	Fire retardant UL VW-1	Self-extinguishing
Toxicity	Non-toxic	Non-toxic	Non-toxic
Flexibility	Excellent	Excellent	Excellent
Abrasion resistance	Excellent	Excellent	Excellent

(1) Rubber wires and rubber overmold are rated for -55° C to +135° C.

#### Specifications

Cable jacket	NOMEX®, HALAR® or PTFE-coated fiberglass
Temperature Range	-55° C to +135° C
Overmold	Thermoplastic elastomer, black
Cable shield	AmberStrand®, ArmorLite® or tinned copper, 90% minimum coverage
Conductors	Silver coated stranded wire, rubber insulation
Shield Termination	Band-Master™ ATS stainless steel shield termination band
Current rating	5 amps
Test voltage (DWV)	500 Vac
Insulation resistance	200 Megohms minimum
Shielding effectiveness	50 dB minimum from 100MHz to 1000MHz.

Dimensions in Inches (millimeters) are subject to change without notice.

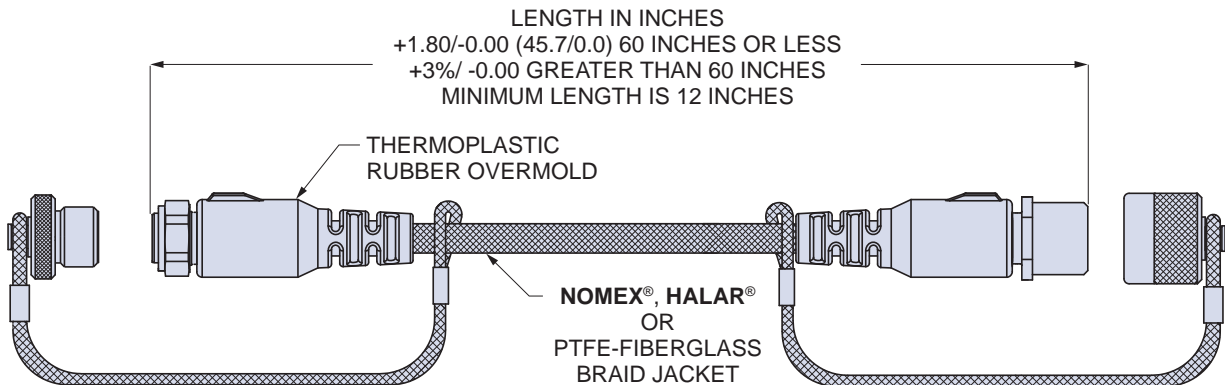
# Series 803 Mighty Mouse with UN Mating Thread Flexible, Lightweight Phantom Cable Cordsets

803-026, 803-027, 803-028, 803-029 Ordering Information



Series 803

Series 803 "Phantom Cable" Cordsets size #12 thru #23 Contacts										
Sample Part Number										
803-027	-B	N	2	Z1	5-3	N	X	-60	C	N
Series	End A Connector	End B Connector	Wire Size	Shell Material/Finish	Insert Arr.	Protective Cover	Shell Key Pos.	Length	Shield Option	Jacket Option
Size #23 Contacts <b>803-026</b> Phantom Cable Cordset	<b>-A</b> Plug, with Male Pin Contacts	<b>A</b> Plug, with Male Pin Contacts	Size #23 Contacts <b>4</b> #24 AWG	<b>M</b> Aluminum / Electroless Nickel	See page F-2 for insert arr.	<b>P</b> Metal Protective Covers Included	<b>N</b> Normal Pos. X	Overall Length In Inches 12 Inch Min.	<b>A</b> Amberstrand	<b>D</b> Nomex, Olive Drab
	<b>-B</b> Plug, with Female Socket Contacts	<b>B</b> Plug, with Female Socket Contacts	<b>6</b> #26 AWG	<b>NF</b> Aluminum / Cadmium with OD Chromate	Consult Factory for Combo Arr.	<b>N</b> No Covers Supplied	<b>Y</b> Pos. Y		<b>B</b> Armorlite	<b>N</b> Nomex, Black
	<b>-C</b> Rec. with Male Pin Contacts	<b>C</b> Rec. with Male Pin Contacts	Size #20 HD Contacts <b>0</b> #20 AWG	<b>ZNU</b> Aluminum / Zinc-Nickel with Black Chromate			See page F-3		<b>C</b> Tin-Coated Copper	<b>H</b> Halar (Monofil)
	<b>-D</b> Rec. with Female Socket Contacts	<b>D</b> Rec. with Female Socket Contacts	<b>2</b> #22 AWG	<b>MT</b> Aluminum / Nickel-PTFE						<b>P</b> Peek (Monofil)
Size #16 Contacts <b>803-028</b> Phantom Cable Cordset		<b>N</b> No Connector (Single-Ended)	Size #16 Contacts <b>6</b> #16 AWG	<b>Z1</b> Stainless Steel / Passivated						
			<b>8</b> #18 AWG							
Size #12 Contacts <b>803-029</b> Phantom Cable Cordset			Size #12 Contacts <b>2</b> #12 AWG							
			<b>4</b> #14 AWG							



## NOTES

- Double-ended cordsets are wired pin #1 to pin #1, #2 to #2, and so on.
- Wires are silver-coated stranded copper with TPE insulation, 600V, UL VW-1 rated.
- Wires are white with color stripe per MIL-STD-681. Wire #1 is WHT/BLK, wire #2 is WHT/BRN, etc.

Dimensions in Inches (millimeters) are subject to change without notice.



SERIES 80

# MIGHTY MOUSE

New Series 824 quick disconnect locking push-pull connector



Introducing the new Mighty Mouse Series 824 Locking Push-Pull Connector: all the familiar size, weight and performance advantages of the industry-standard Mighty Mouse 804 push-pull connector with a revolutionary low-profile locking coupling mechanism. Glenair's primary design goal in the development of the locking 824 was to bring mil-spec caliber connector performance to locking push-pull applications. The Series 824 Locking Push-Pull provides superior sealing, excellent EMI protection, low-profile ergonomic mating and de-mating, and easy crimp contact termination. The locking push-pull mechanism delivers visual, tactile, and audible mating confirmation under even the most extreme field conditions. Built for long-term durability and reduced size and weight, the high-density Series 824 Locking Push-Pull connector far surpasses commercial caliber push-pull connectors.



Glenair, Inc.  
1211 Air Way  
Glendale, CA 91201-2497  
818-247-6000  
sales@glenair.com  
www.glenair.com

# Series 804 Push-Pull Mighty Mouse Quick-Disconnect Connectors Table of Contents and Introduction



Series 804

## PRODUCT SELECTION GUIDE

	<p><b>Series 804 Cable Plugs</b> Cable plugs are available with an integral shield termination platform for use with <b>Band-Master™ ATS</b> microbands sold separately, or with accessory threads for backshell attachment. Contacts are crimp-type, and are packaged with the connector.</p>	Page G-6
	<p><b>Series 804 Cobra Style Plug</b> These connectors feature an integrated backshell equipped with a removable rear cover and gasket, providing an easy path to installing the supplied crimp contacts.</p>	Page G-8
	<p><b>Series 804 Panel Mount Plugs with PCB or Solder Cup Terminals</b> These panel mount plugs offer reduced profiles inside the box compared to panel mount receptacles. Connector bodies are sealed with epoxy to assure a water-tight open face seal.</p>	Page G-11
	<p><b>Series 804 Receptacles with Crimp Terminals</b> Choose in-line or jam nut versions for panel mounting. Crimp receptacles are available with an integral shield termination platform or with accessory threads for backshell attachment. Contacts are crimp-type, and are packaged with the connector.</p>	Page G-15
	<p><b>Series 804 Receptacles with PCB or Solder Cup Terminals</b> These panel mount connectors feature gold plated, factory-installed contacts. Connector bodies are sealed with epoxy to assure a water-tight open face seal.</p>	Page G-19
	<p><b>Series 804 Hermetic Receptacles</b> Need a miniaturized hermetic for a sealed box or instrument? These stainless steel, glass-sealed connectors are available with solder cup or PC tail contacts. 100% tested to meet <math>1 \times 10^{-7}</math> cc/sec helium leakage. Open face pressure rating 1000 PSI.</p>	Page G-22
	<p><b>Series 804 Bulkhead Feed-Thru Receptacle Connector</b> Jam Nut mount, shell sizes 5 to 15. This connector mates with all push/pull plug connectors with the same polarization and opposite contact genders. Copper alloy gold-plated contacts, pin to pin, pin to plug or plug to plug.</p>	Page G-25
	<p><b>Series 804 Cordsets</b> Select standard polyurethane cable for general purpose applications, or specify low smoke/zero halogen polyurethane for applications where low toxicity is mandated. Select Phantom Cable for increased flexibility</p>	Page G-27
	<p><b>Series 804 USB Cordset Hub</b> The Mighty Mouse USB Cordset Hub regulates 5V USB power from a 16V source while providing power management</p>	Page G-33
	<p><b>Series 804 USB Tactical Patch Cable</b> These ruggedized cordsets are available as single or double ended or right angle. Polyurethane jacket is suitable for general purpose applications or select Nomex® jacket for increased flexibility.</p>	Page G-34
	<p><b>Series 804 Radio Connectors</b> Choose AN/PRC or RF7800T radio connectors with 804 quick disconnect connectors. Select un-cabled, cabled or pigtail versions</p>	Page G-37
	<p><b>Series 804 USB Flash Drive</b> Mighty Mouse Series 804 USB 3.0 flash drive featuring a push/pull 804 series ruggedized interface and available in 8GB, 16GB, 32GB, or 64GB storage capacities.</p>	Page G-39
	<p><b>Series 824 Locking Push Pull</b> The New Mighty Mouse Series 824 Locking Push -Pull connectors provides superior sealing, excellent EMI protection, low-profile ergonomic mating and demating, and easy crimp contact termination. Finally mil-spec performance in a push-pull shell.</p>	Page G-40

Dimensions in Inches (millimeters) are subject to change without notice.



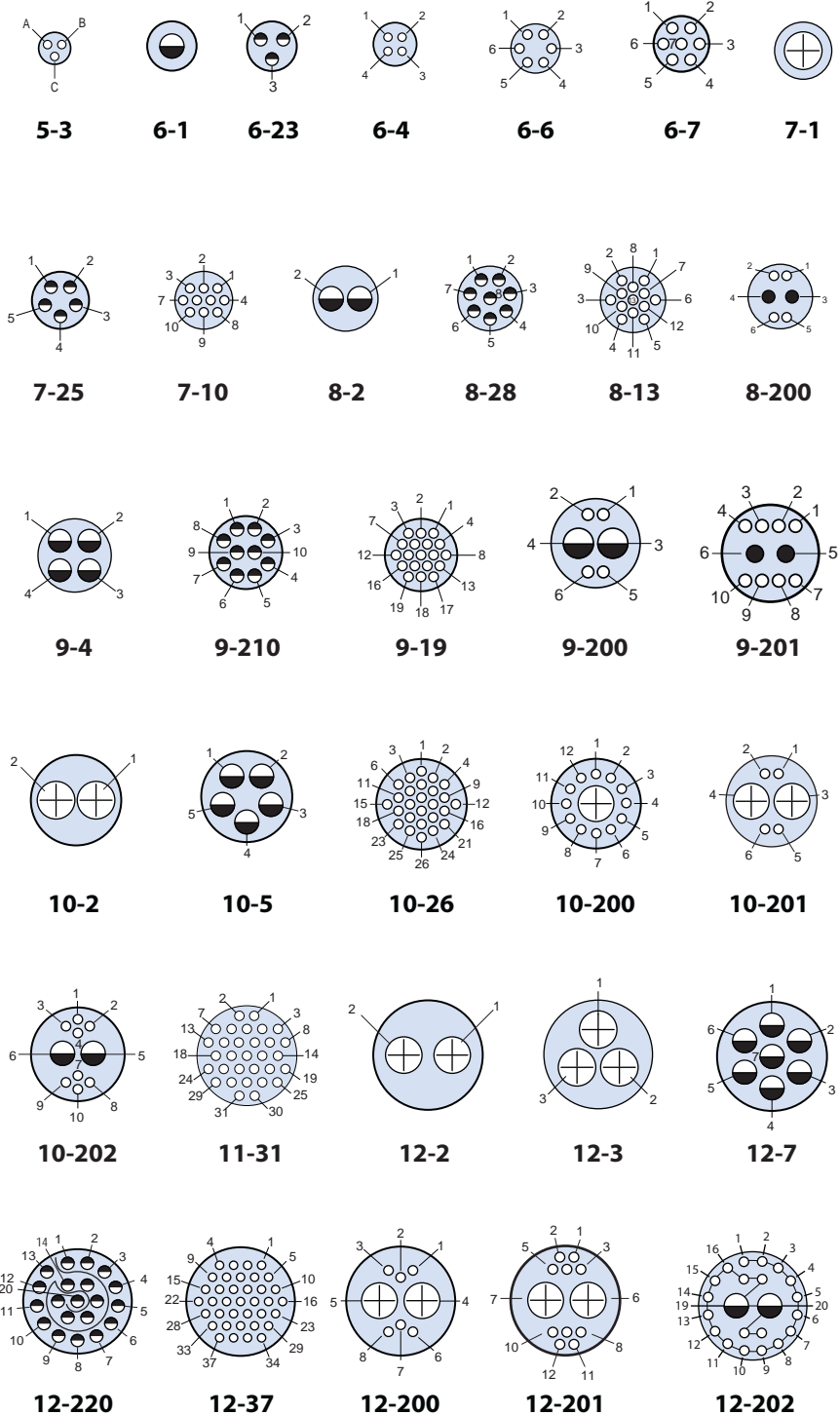
# Series 804 Push-Pull Mighty Mouse Quick-Disconnect Connectors

## Contact Arrangements

Contact Arrangements					
Contact Arr.	No. of Contacts				
	#23	#20	#20HD	#16	#12*
5-3	3				
6-1				1	
6-4	4				
6-6	6				
6-7	7				
6-23			3		
7-1					1
7-25			5		
7-10	10				
8-2				2	
8-28			8		
8-13	13				
8-200	4	2			
9-4				4	
9-210			10		
9-19	19				
9-200	4			2	
9-201	8	2			
10-2					2
10-5				5	
10-26	26				
10-200	12				1
10-201	4				2
10-202	8			2	
11-31	31				
12-2					2
12-3					3
12-7				7	
12-220			20		
12-37	37				
12-200	6				2
12-201	10				2
12-202	20			2	

\*All arrangements with #12 contacts available with keyed Twinax contacts. Use mode code -688

### Mating Face View of Pin Connector (socket connector numbers are reversed)



#### Contact Legend

#23◦ #20HD◐ #20● #16◑ #12⊕

Dimensions in Inches (millimeters) are subject to change without notice.



# Series 804 Push-Pull Mighty Mouse Quick-Disconnect Connectors Contact Arrangements

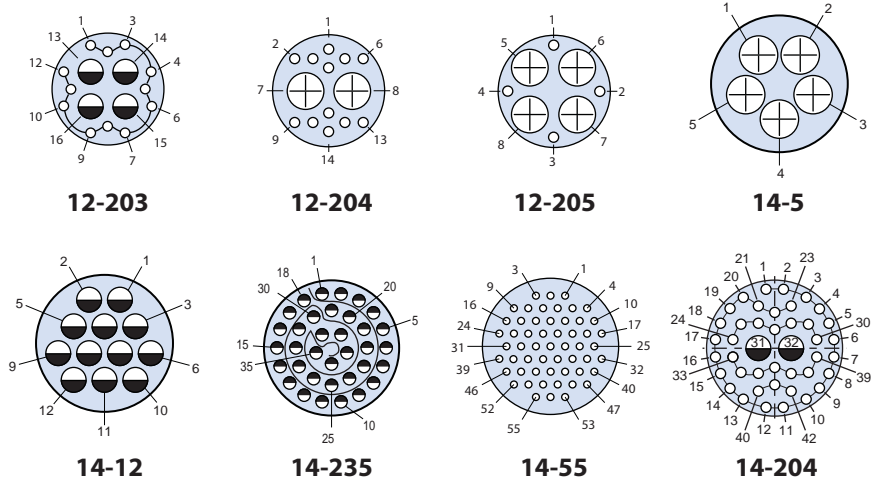


Series 804

Contact Arrangements					
Contact Arr.	No. of Contacts				
	#23	#20	#20HD	#16	#12*
12-203	12			4	
12-204	12			2	
12-205	4				4
14-5					5
14-12				12	
14-235			35		
14-204	40			2	
14-205	32			4	
14-206	34				2
14-207	20				4
14-55	55				

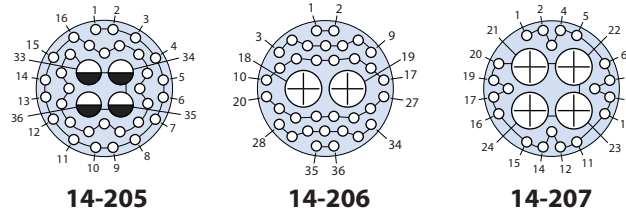
\*All arrangements with #12 contacts available with keyed Twinax contacts. Use mode code -688

## Mating Face View of Pin Connector (socket connector numbers are reversed)



### Contact Legend

#23° #20HD° #20● #16● #12⊕



Alternate Key Positions		
Pos.	A°	B°
A	150°	210°
B	75°	210°
C	95°	230°
D	140°	275°
E	75°	275°
F	95°	210°

Series 804 Demate Force		
Layout	Average Force	
	Pounds	Newtons
5-3	11	48
6-4	11	48
6-7	12	51
7-10	12	54
8-13	13	56
9-19	14	62
10-26	16	68
12-37	18	78
14-55	21	94

Dimensions in Inches (millimeters) are subject to change without notice.





# Series 804 Push-Pull Mighty Mouse Connector Quick-Disconnect Connectors Connector Maximum Weights

Series 804 Weights				
Maximum Weight In Grams				
Layout	Plug	Jam Nut Receptacle		In-Line Recep.
		Rear Mount	Front Mount	
5-3P	2.2	8	9.7	4
5-3S	2.4	8.3	9.8	4.1
6-1P	3.1	7.2	11.8	5.2
6-1S	3.4	7.5	12.1	5.5
6-4P	2.8	8.8	11.4	4.8
6-4S	3	9	11.6	5.1
6-6P	2.8	8.8	11.4	4.8
6-6S	3.1	9.2	11.8	5.2
6-7P	3	9.1	11.7	5.3
6-7S	3.2	9.5	12	5.5
6-23P	2.9	8.9	11.5	4.9
6-23S	3.6	9.3	11.9	5.3
7-1P	3.7	11.1	16.4	10.1
7-1S	4.3	11.7	16.9	10.7
7-25P	3.5	11	16.3	10
7-25S	4.2	11.7	16.9	10.7
7-10P	3.7	10.9	16.2	10
7-10S	4.2	11.3	16.5	10.3
8-1P	7.7	13.6	12.8	10.8
8-1S	10.1	10.1	11	13.5
8-2P	5	10.9	13.5	8
8-2S	5.7	5.7	11.7	9
8-28P	5.2	11.1	14.4	8.2
8-28S	6.2	6.2	12.9	9.5
8-13P	4.3	10.6	12.4	7.4
8-13S	4.8	11	13	8.1
8-200P	5.3	11.2	13.9	8.4
8-200S	6.1	12	14.6	9.1
9-4P	5.7	15.2	21.1	11
9-4S	6.7	16.2	22.1	12
9-210P	5.9	15	20.9	10.3
9-210S	6.7	16.2	22.1	12
9-19P	4.6	14.1	20	9.9
9-19S	4.8	14.9	21.1	9.8
9-200P	5.2	14.6	20.6	10.5
9-200S	6.3	15.7	21.7	11.6
9-201P	5.8	15.3	21.2	11.1
9-201S	6.9	16.4	22.3	12.2
10-2P	7	15.2	23	11.6
10-2S	8.3	16.5	24.4	12.9
10-5P	7.3	15.5	23.3	11.9
10-5S	8.7	16.9	24.8	13.3
10-26P	5.4	13.6	20.5	10.1
10-26S	6.2	13.9	21.1	10.5
10-200P	6.2	14.4	22.2	10.8
10-200S	7.6	15.8	23.7	12.2
10-201P	6.3	14.5	22.3	10.9

Series 804 Weights				
Maximum Weight In Grams				
Layout	Plug	Jam Nut Receptacle		In-Line Recep.
		Rear Mount	Front Mount	
10-201S	7.7	16	23.8	12.3
10-202P	6.3	14.5	22.3	10.9
10-202S	7.8	16.1	23.9	12.4
11-31P	10.1	16.6	26.1	13.4
11-31S	12.4	18.5	28.3	14.9
12-2P	10.7	21.5	26.1	20.8
12-2S	12.3	23.1	27.7	22.4
12-3P	11.7	22.4	27.1	21.8
12-3S	13.4	24.2	28.8	23.4
12-7P	11.9	22.7	27.3	22
12-7S	14.5	25.3	29.9	24.6
12-200P	10.3	21.1	25.7	20.5
12-200S	12.5	23.3	27.9	22.7
12-201P	10.7	21.5	26.1	22.8
12-201S	13	23.8	28.4	23.1
12-202P	10.8	21.6	26.2	20.9
12-202S	12.7	23.5	28.1	22.8
12-203P	11.6	21.9	26.5	21.2
12-203P	13	23.8	28.4	23.1
12-204P	11.2	22	26.6	21.3
12-204P	13	23.8	28.4	23.1
12-205P	12.3	23.1	27.7	22.4
12-205S	14.1	24.9	29.5	24.2
12-220	11.5	22.3	26.9	21.6
12-220	13.8	24.6	29.2	23.9
12-37P	10.1	21.5	25.5	22.4
12-37S	11.8	23.1	27.2	22.1
14-2P	18.7	31.6	36.9	29.6
14-2S	24.8	37.6	42.9	35.7
14-5P	15.4	28.3	33.6	26.3
14-5S	18.4	31.2	36.5	29.3
14-12P	16.2	29	34.3	27.1
14-12S	19.8	32.7	38	30.7
14-204P	14.1	27	32.3	25
14-204S	17.6	30.4	35.7	28.5
14-205P	14.4	27.3	32.6	25.3
14-205S	17.9	30.7	36	28.8
14-206P	14.6	27.5	32.8	25.5
14-206S	18	30.8	36.1	28.9
14-207P	15.4	28.3	33.6	26.3
14-207S	18.8	31.6	36.9	29.7
14-208P	16.6	29.5	34.8	27.5
14-208S	21.6	34.4	39.7	32.5
14-235P	15.7	28.6	33.9	26.6
14-235S	19.8	32.6	37.9	30.7
14-55P	12.8	25.6	30.9	23.7
14-55S	15.6	28.3	33.8	26.5

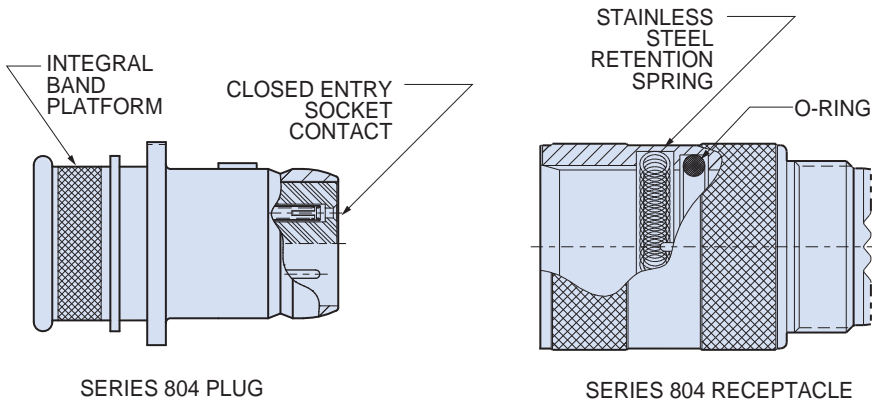
Dimensions in Inches (millimeters) are subject to change without notice.

# Series 804 Push-Pull Mighty Mouse Quick-Disconnect Connectors

## General Information



Series 804



- Push-to-Mate, Pull-to-Unmate
- Gold-Plated tainless Steel Spring
- Crimp Rear Release Contacts
- Integral Band Platform
- Available with Size #12, #16, #20, #20HD and #23 Contacts
- Environmentally Sealed

## Series 804 Quick-Disconnect Offers Environmental Sealing and Rugged Design in a Lightweight, Push-Pull Package

Ideal for breakaway connections, the Series 804 QDC connector features a stainless steel spring in the receptacle and a detent on the plug body. Used for headsets, radios, weapons and other applications, the QDC Mighty Mouse meets immersion requirements and provides excellent durability. The gold-plated spring provides low shell-to-shell resistance for excellent EMI shielding. A fluorosilicone o-ring provides a watertight seal when mated.



Specifications	
Current Rating	#23-5 A, 20HD-7.5 A, #16-13 A, #12-23 A
Dielectric Withstanding Voltage	#23-750 VAC, #20HD-1000 VAC, #12 and #16-1800 VAC
Insulation Resistance	5000 megohms minimum
Operating Temperature	-65° C. to +175° C.
Shock	300 g.
Vibration	37 g.
Shielding Effectiveness <sup>(1)</sup>	60 dB minimum from 100MHz to 1000MHz.
Durability	2000 mating cycles
1. Tested with electroless nickel plating See Series 80 General Information for complete performance specs.	

Materials and Finishes	
Shells, Jam Nuts	Aluminum alloy or stainless steel
Contacts	Copper alloy, 50 µlnc gold plated
Insulators	Liquid crystal polymer (LCP)
Contact Retention Clip	Beryllium copper alloy
Seal, O-rings, Grommet	Fluorosilicone rubber
Spring	Gold plated stainless steel
See Series 80 General Information for complete material and finish specs.	

Dimensions in Inches (millimeters) are subject to change without notice.



# Series 804 Push-Pull Mighty Mouse Plug Connector

## 804-001 & 804-002 Ordering Information



### Quick Disconnect

These plugs snap securely into receptacle housings and release with a simple pull.

### Two Keying Styles

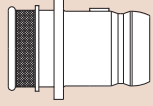
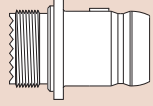
A single master key provides fast mating in low-light situations, or specify three keys for more polarizing options.

### Two Shell Styles

Integral platform for shield attachment using the Band-Master™ ATS termination system, or an accessory thread for attaching a strain relief.

How To Order						
<b>Sample Part Number</b>	<b>804-001</b>	<b>-06</b>	<b>NF</b>	<b>9-19</b>	<b>S</b>	<b>A</b>
<b>Series (See Table I)</b>	<b>804-001</b> = Plug with Banding Platform <b>804-002</b> = Plug with Accessory Thread					
<b>Shell Style</b>	<b>-06</b> = Plug					
<b>Shell Material and Finish</b>	<b>C</b> = Aluminum / Black Anodize (Non-Conductive); RoHS Compliant <b>M</b> = Aluminum / Electroless Nickel; RoHS Compliant <b>MT</b> = Aluminum / Nickel-PTFE RoHS Compliant <b>NF</b> = Aluminum / Cadmium with Olive Drab Chromate <b>ZNU</b> = Aluminum / Zinc-Nickel with Black Chromate <b>Z1</b> = Stainless Steel / Passivated; RoHS Compliant					
<b>Shell Size - Insert Arrangement</b>	See Contact Arrangements Page G-2					
<b>Contact Type</b>	<b>Connector supplied without Crimp contacts</b> <b>A</b> = Pin, less contacts <b>B</b> = Socket, less contacts Connectors with contacts are supplied with signal and/or power crimp contacts. These contacts are not installed. Coaxial contacts and non-standard signal contacts are ordered separately.	<b>Connector supplied with contacts</b> <b>P</b> = Pin Connector <b>S</b> = Socket Connector	<b>Connector Supplied with 30 AWG Crimp Barrel</b> <b>G</b> = Pin, Crimp <b>H</b> = Socket, Crimp			
<b>Shell Key Positions (See Table II)</b>	<b>Omit</b> = Single Master Key <b>A</b> = Normal <b>B</b> = Pos. B <b>C</b> = Pos. C <b>D</b> = Pos. D <b>E</b> = Pos. E <b>F</b> = Pos. F					

G

Table I: Series	
	
<b>804-001</b> Plug with Banding Platform	<b>804-002</b> Plug with Accessory Thread

Dimensions in Inches (millimeters) are subject to change without notice.

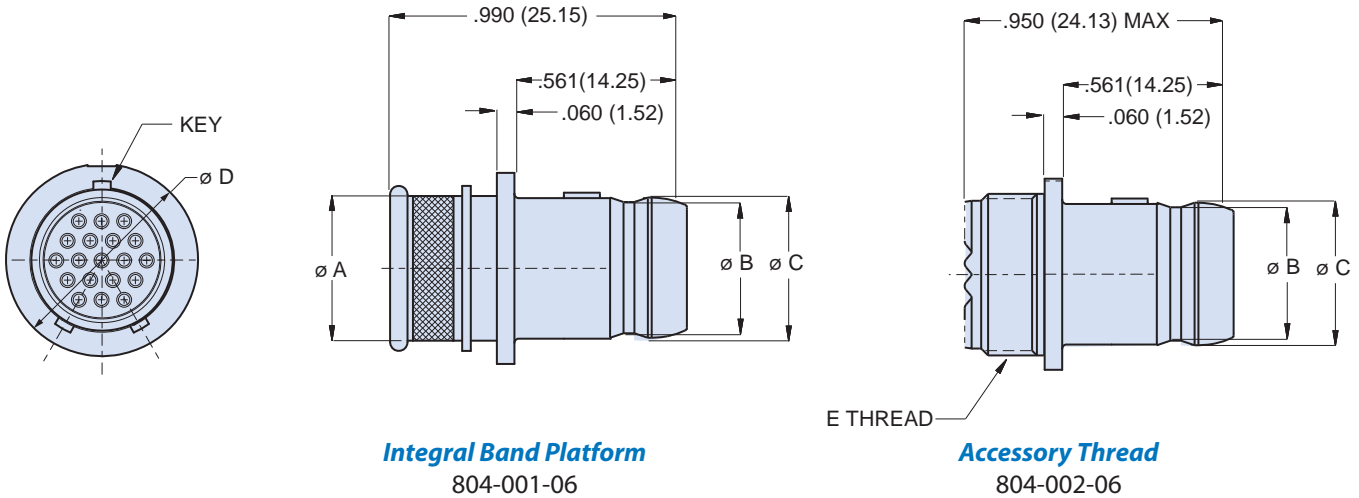
# Series 804 Push-Pull Mighty Mouse Plug Connector

## 804-001-06 and 804-002-06 Dimensions



Series 804

### Plug connector



Dimensions									
Shell Size	Ø A		Ø B		Ø C		Ø D Max.		E Threads
	In.	mm.	In.	mm.	In.	mm.	In.	mm.	
5	.246	6.25	.219	5.56	.250	6.35	.427	10.85	.2500-32 UNEF-2A
6	.286	7.26	.282	7.16	.313	7.95	.495	12.57	.3125-32 UNEF-2A
7	.390	9.91	.351	8.92	.383	9.73	.575	14.61	.4375-28 UNEF-2A
8	.442	11.23	.398	10.11	.429	10.90	.614	15.60	.5000-28 UNEF-2A
9	.500	12.70	.454	11.53	.486	12.34	.670	17.02	.5625-24 UNEF-2A
10	.564	14.33	.529	13.44	.563	14.30	.745	18.92	.6250-24 UNEF-2A
11	.608	15.44	.587	14.91	.618	15.70	.795	20.19	.6875-24 UNEF-2A
12	.650	16.51	.646	16.41	.676	17.17	.865	21.97	.6875-24 UNEF-2A
14	.805	20.45	.768	19.51	.800	20.32	.985	25.02	.9375-20 UNEF-2A
15	.850	21.59	.828	21.03	.860	21.84	1.041	26.44	.9375-20 UNEF-2A

Table II: Alternate Key Positions		
Pos.	A°	B°
A	150°	210°
B	75°	210°
C	95°	230°
D	140°	275°
E	75°	275°
F	95°	210°

Dimensions in Inches (millimeters) are subject to change without notice.





# Series 804 Push-Pull Mighty Mouse Cobra™ Plug with Integral Cobra Backshell

## 804-066-06 Ordering Information



**Series 804** plug with integral Cobra™ style ultra-low profile right angle banding backshell reduces clearance requirements without compromising ruggedness, environmental protection or shielding performance. Rear cover allows easy access for soldering wires or installing snap-in crimp pins. Cover gasket prevents moisture intrusion. Cover has lip for finger grip release. Eight clocking positions. Aluminum or stainless steel housing, gold-plated copper alloy contacts, fluorosilicone gasket. Crimp version features snap-in rear release contacts, LCP insulators and fluorosilicone wire seal. Solder version features factory-installed, epoxy potted solder cup contacts.

Available with 3 to 55 contacts, these 804 Cobra™ plugs feature size #23 contacts for AWG 22-28 wire.

### How To Order

Sample Part Number	804-066-06	ZNU	8-13	P	A	1	05
Series	804-066-06 = Push Pull Plug						
Shell Material and Finish	<b>M</b> = Aluminum / Electroless Nickel; RoHS Compliant <b>MT</b> = Aluminum / Nickel-PTFE RoHS Compliant <b>NF</b> = Aluminum / Cadmium with Olive Drab Chromate <b>ZNU</b> = Aluminum / Zinc-Nickel with Black Chromate <b>Z1</b> = Stainless Steel / Passivated; RoHS Compliant						
Shell Size - Insert Arrangement	<b>5-3, 6-4, 6-6, 6-7, 7-10, 8-13, 9-19, 10-26, 12-37, 14-55</b>						
Contact Type	<b>A</b> = Pin, Solder Cup <b>P</b> = Pin, Crimp <b>B</b> = Socket, Solder Cup <b>S</b> = Socket, Crimp						
Shell Key Positions (See Table I)	<b>Omit</b> = Single Master Key <b>A</b> = Normal <b>B</b> = Pos. B <b>C</b> = Pos. C <b>D</b> = Pos. D <b>E</b> = Pos. E <b>F</b> = Pos. F						
Cable Exit Direction (See Table III)	<b>1</b> through <b>8</b> See Exit Direction Table						
Cable Entry Size (See Table II)	<b>2</b> through <b>12</b>						

G

Table I: Key Positions

Code	A°	B°	Code	A°	B°
A	150°	210°	D	140°	275°
B	75°	210°	E	75°	275°
C	95°	230°	F	95°	210°

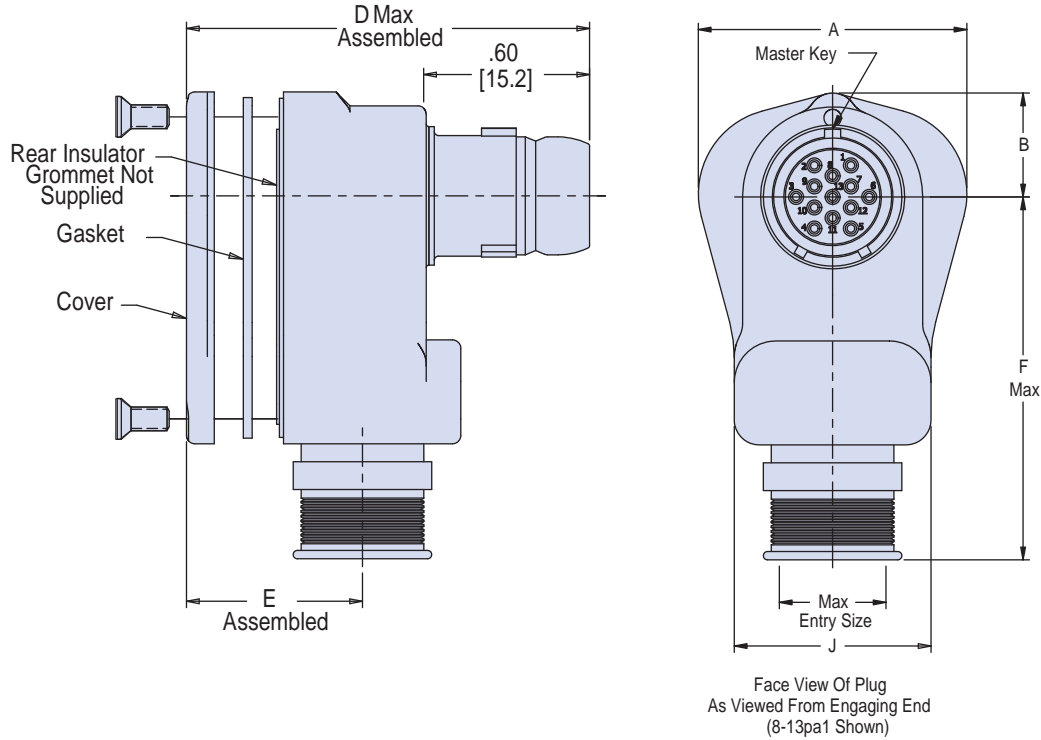
Dimensions in Inches (millimeters) are subject to change without notice.

**Series 804 Push-Pull Mighty Mouse Cobra  
Plug with Integral Cobra Backshell  
804-066-06 Dimensions**



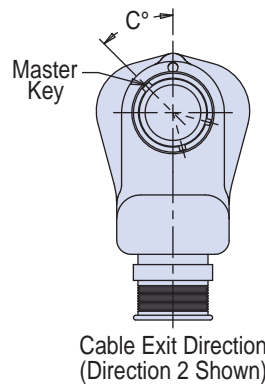
Series 804

**Right angle low profile cable plug**



Dimensions									
Shell Size	Ø A	B	D Max	E Max	F	G Max	H Max	J	Max Entry Size
5	.67(17.0)	.27(6.9)	1.03(26.2)	.32 (8.1)	1.21 (30.7)	1.34 (34.0)	1.16(29.5)	.500(12.7)	03
6	.75(19.1)	.30(7.6)	1.08(27.4)	.34 (8.6)	1.24 (31.5)	1.39 (35.3)	1.21(30.7)	.560(14.2)	04
7	.88(22.4)	.34(8.6)	1.20(30.5)	.39 (9.9)	1.28 (32.5)	1.50 (38.1)	1.32(33.5)	.650(16.5)	05
8	.97(24.6)	.38(9.7)	1.24(31.5)	.42 (10.7)	1.31 (33.3)	1.54 (39.1)	1.36(34.5)	.710(18.0)	06
9	1.06(26.9)	.41(10.4)	1.30(33.0)	.45 (11.4)	1.34 (34.0)	1.61 (40.9)	1.43(36.3)	.770(19.6)	07
10	1.15(29.2)	.44(11.2)	1.35(34.3)	.48 (12.2)	1.37 (34.8)	1.66 (42.2)	1.47(37.3)	.835(21.2)	08
12	1.33(33.8)	.50(12.7)	1.44(36.6)	.52 (13.2)	1.48 (37.6)	1.75 (44.5)	1.56(39.6)	.950(24.1)	10
14	1.46 (37.1)	.56 (14.2)	1.53 (38.9)	.58 (14.7)	1.64 (41.7)	1.84 (46.7)	1.69 (42.9)	1.070 (27.18)	12

Direction	C°
1	0°
2	45°
3	90°
4	135°
5	180°
6	225°
7	270°
8	315°



Dimensions in Inches (millimeters) are subject to change without notice.



# Series 804 Push-Pull Mighty Mouse Cobra Plug with Integral Cobra Backshell

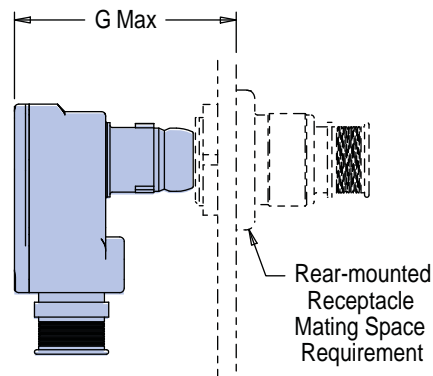
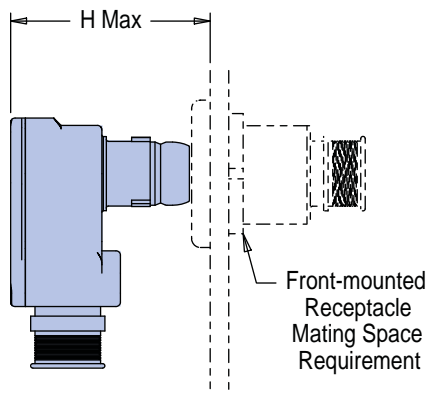
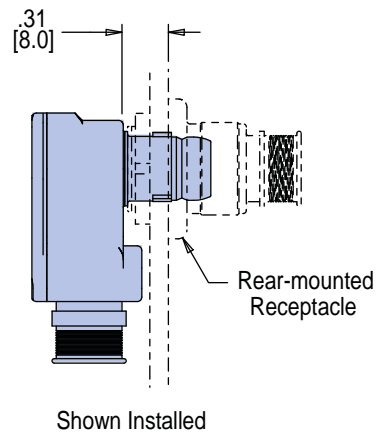
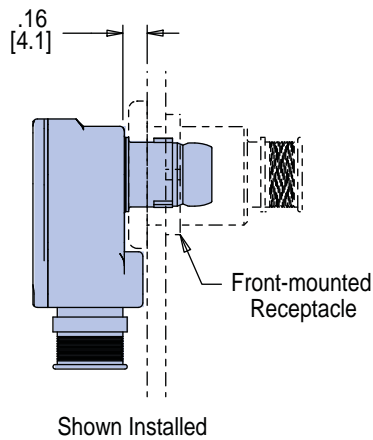
## 804-066-06 Dimensions

Arrangements Per Shell Size	
Shell Size	Contact Arrangement*
5	5-3
6	6-4,6-6,6-7
7	7-10
8	8-13
9	9-19
10	10-26
12	12-37
14	14-55

\* Number Following Dash = Number Of Contacts

Table III: Cable Entry	
Code	Entry Size
02	0.125
03	0.188
04	0.250
05	0.313
06	0.375
07	0.438
08	0.500
09	0.563
10	0.625
11	0.688
12	0.750

### Mating Space Requirements



Dimensions in Inches (millimeters) are subject to change without notice.



# Series 804 Push-Pull Mighty Mouse PC Tail or Solder Cup Panel Mount Plug 804-009, 804-021 Ordering Information



Series 804



**Panel Mount Plugs** save space inside the box compared to Series 804 removable contact receptacles. Factory-installed non-removable contacts. Solder cup or printed circuit board terminals. Available in front or rear panel and flange mount versions.

**Ingress Protection, Unmated** Specify **804-009** connectors for applications where open face water immersion is not a requirement. For IP67 ingress protection and MIL-STD-810 Method 512 immersion requirements, specify **804-021** watertight connectors certified to meet one atmosphere pressure differential in open face condition from -40° to +70°C.

**"Push-Pull" Quick-Disconnect** Canted spring securely retains the mating plug.

How To Order						
<b>Sample Part Number</b>	<b>804-009</b>	<b>-07</b>	<b>NF</b>	<b>10-26</b>	<b>E</b>	<b>A</b>
<b>Series</b>	<b>804-009</b> = Panel Mount Plug, Standard Potting <b>804-021</b> = Panel Mount Plug, Resilient Silicone Potting for Watertight Seal from -40° to +70°C (1 ATM Pressure Differential)					
<b>Shell Style (See Table I)</b>	<b>-00</b> = Front Panel Mount Jam Nut (See Table IV) <b>-02</b> = Flange Mount <b>-07</b> = Rear Panel Mount Jam Nut (See Table III)					
<b>Shell Material and Finish</b>	<b>C</b> = Aluminum / Black Anodize (Non-Conductive); RoHS Compliant <b>M</b> = Aluminum / Electroless Nickel; RoHS Compliant <b>MT</b> = Aluminum / Nickel-PTFE RoHS Compliant <b>NF</b> = Aluminum / Cadmium with Olive Drab Chromate <b>ZNU</b> = Aluminum / Zinc-Nickel with Black Chromate <b>Z1</b> = Stainless Steel / Passivated; RoHS Compliant					
<b>Shell Size - Insert Arrangement</b>	See Contact Arrangements Page G-2					
<b>Contact Type</b>	<b>P</b> = Pin, PC Tail <b>E</b> = Pin, Solder Cup <b>S</b> = Socket, PC Tail <b>F</b> = Socket, Solder Cup					
<b>Shell Key Positions (See Table II)</b>	<b>Omit</b> = Single Master Key <b>A</b> = Normal <b>B</b> = Pos. B <b>C</b> = Pos. C <b>D</b> = Pos. D <b>E</b> = Pos. E <b>F</b> = Pos. F					

Table I: Shell Style		
<b>-00</b> Jam Nut, Front Panel Mount	<b>-07</b> Jam Nut, Rear Panel Mount	<b>-02</b> Flange Mount

Table II: Alternate Key Positions		
	Pos.	A°    B°
	A	150°    210°
	B	75°    210°
	C	95°    230°
	D	140°    275°
	E	75°    275°
	F	95°    210°

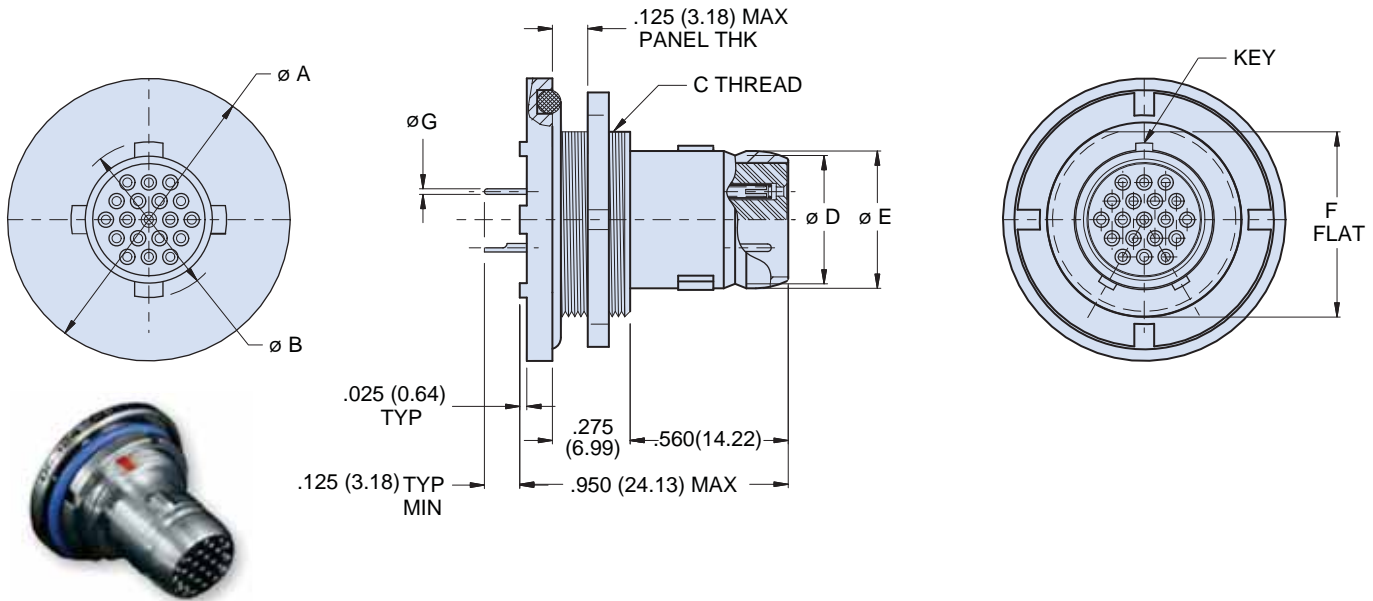
Dimensions in Inches (millimeters) are subject to change without notice.



# Series 804 Push-Pull Mighty Mouse PC Tail or Solder Cup Panel Mount Plug

804-009-07, 804-021-07 Dimensions

## Jam nut, rear panel mount plug - shell style 07



### Dimensions

Shell Size	Ø A		Ø B		C Threads	Ø D		Ø E		F Flat		Ø G Tail Dia.
	In.	mm.	In.	mm.		In.	mm.	In.	mm.	In.	mm.	
5	.790	20.07	.244	6.20	.4375-32 UN-2A	.219	5.56	.250	6.35	.415	10.54	#23 .018/.022 (0.46/0.56) #20 .024/.028 (0.61/0.71) #16 .060/.064 (1.52/1.63) #12 .092/.096 (2.34/2.44)
6	.830	21.08	.330	8.38	.5000-32 UN-2A	.282	7.16	.313	7.95	.467	11.86	
7	.910	23.11	.432	10.97	.6250-28 UN-2A	.351	8.92	.383	9.73	.594	15.09	
8	.955	24.26	.493	12.52	.6250-28 UN-2A	.398	10.11	.429	10.90	.594	15.09	
9	1.000	25.40	.551	14.00	.6875-28 UN-2A	.454	11.53	.486	12.34	.655	16.64	
10	1.085	27.56	.620	15.75	.7500-28 UN-2A	.529	13.44	.563	14.30	.721	18.31	
11	1.135	28.83	.662	16.81	.8125-28 UN-2A	.587	14.91	.618	15.70	.790	20.07	
12	1.180	29.97	.703	17.86	.8750-28 UN-2A	.646	16.41	.676	17.17	.843	21.41	
14	1.325	33.66	.863	21.92	1.0000-28 UN-2A	.768	19.51	.800	20.32	.968	24.59	

### Rear Mount Jam Nut Panel Cutout

Shell Size	A Flat		Ø B	
	In. ± .002	mm. ± 0.05	In. ± .005	mm. ± 0.13
5	.423	10.74	.448	11.38
6	.475	12.07	.510	12.95
7	.588	14.94	.635	16.13
8	.602	15.29	.635	16.13
9	.663	16.84	.695	17.65
10	.729	18.82	.760	19.30
11	.798	20.27	.822	20.88
12	.851	21.62	.885	22.48
14	.976	24.79	1.010	25.65

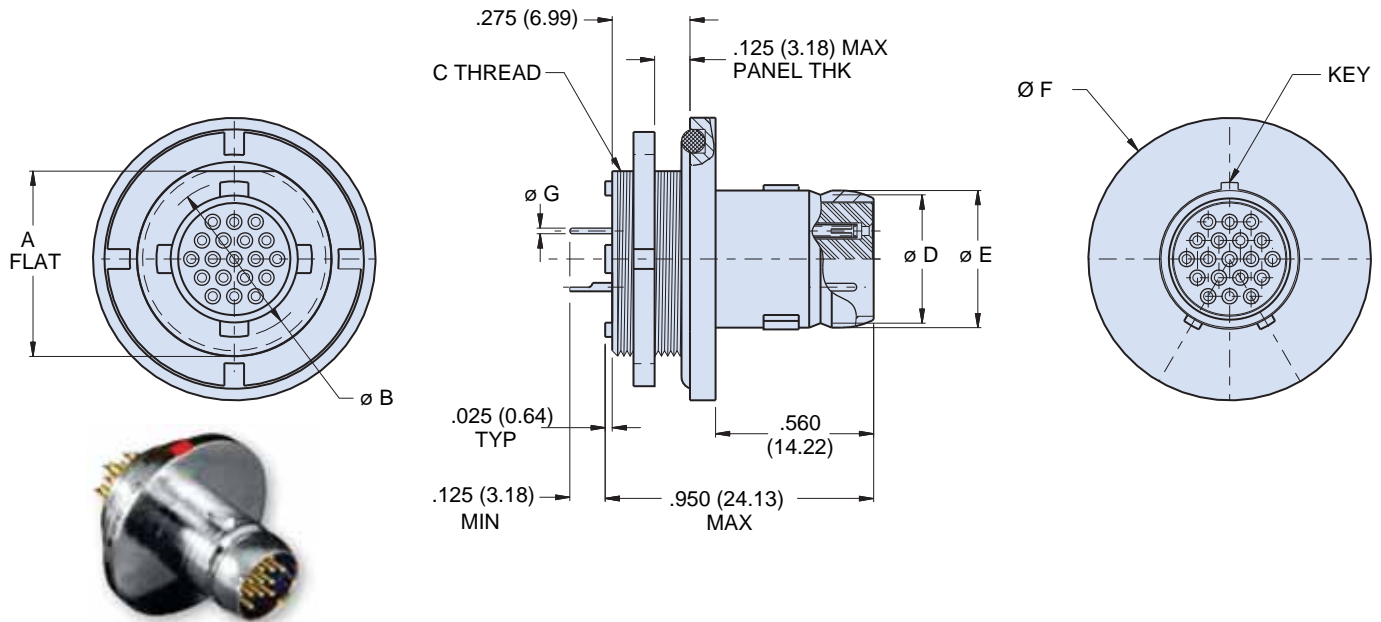
Dimensions in Inches (millimeters) are subject to change without notice.

**Series 804 Push-Pull Mighty Mouse  
PC Tail or Solder Cup Panel Mount Plug  
804-009-00, 804-021-00 Dimensions**



Series 804

**Jam nut, front panel mount plug - style 00**



Dimensions												
Shell Size	A Flat		Ø B		C Threads	Ø D		Ø E		Ø F		Ø G Tail Dia.
	In.	mm.	In.	mm.		In.	mm.	In.	mm.	In.	mm.	
5	.415	10.54	.244	6.20	.4375-32 UN-2A	.219	5.56	.250	6.35	.790	20.07	#23 .018/.022 (0.46/0.56) #20 .024/.028 (0.61/0.71) #16 .060/.064 (1.52/1.63) #12 .092/.096 (2.34/2.44)
6	.467	11.86	.330	8.38	.5000-32 UN-2A	.282	7.16	.313	7.95	.830	21.08	
7	.594	15.09	.432	10.97	.6250-28 UN-2A	.351	8.92	.383	9.73	.910	23.11	
8	.594	15.09	.493	12.52	.6250-28 UN-2A	.398	10.11	.429	10.90	.955	24.26	
9	.655	16.64	.551	14.00	.6875-28 UN-2A	.454	11.53	.486	12.34	1.000	25.40	
10	.721	18.31	.620	15.75	.7500-28 UN-2A	.529	13.44	.563	14.30	1.085	27.56	
11	.790	20.07	.662	16.81	.8125-28 UN-2A	.587	14.91	.618	15.70	1.135	28.83	
12	.843	21.41	.703	17.86	.8750-28 UN-2A	.646	16.41	.676	17.17	1.180	29.97	
14	.968	24.59	.863	21.92	1.0000-28 UN-2A	.768	19.51	.800	20.32	1.325	33.66	

Front Mount Jam Nut Panel Cutout					
Shell Size	A Flat		Ø B		Ø G
	In. ± .002	mm. ± 0.05	In.	mm.	
5	.423	10.74	.448	11.38	
6	.475	12.07	.510	12.95	
7	.588	14.94	.635	16.13	
8	.602	15.29	.635	16.13	
9	.663	16.84	.698	17.73	
10	.729	18.82	.760	19.30	
11	.798	20.27	.823	20.90	
12	.851	21.62	.885	22.48	
14	.976	24.79	1.010	25.65	

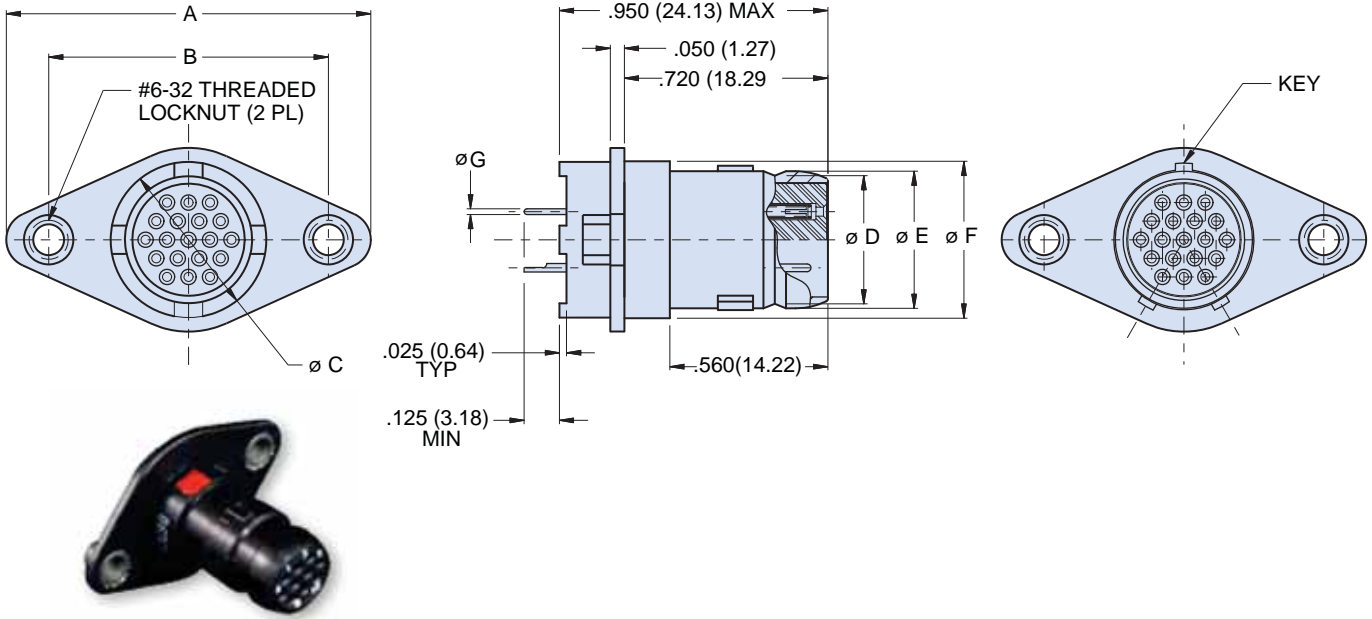
Dimensions in Inches (millimeters) are subject to change without notice.





Series 804 Push-Pull Mighty Mouse  
PC Tail or Solder Cup Panel Mount Plug  
804-009-02, 804-021-02 Dimensions

Flange mount receptacle - style 02



Dimensions													
Shell Size	A		B		$\varnothing C$		$\varnothing D$		$\varnothing E$		$\varnothing F$		$\varnothing G$ Tail Dia.
	In.	mm.	In.	mm.	In.	mm.	In.	mm.	In.	mm.	In.	mm.	
5	1.055	26.80	.755	19.18	.244	6.20	.219	5.56	.250	6.35	.320	8.13	#23 .018/.022 (0.46/0.56) #20 .024/.028 (0.61/0.71) #16 .060/.064 (1.52/1.63) #12 .092/.096 (2.34/2.44)
6	1.120	28.45	.820	20.83	.330	8.38	.282	7.16	.313	7.95	.385	9.78	
7	1.185	30.10	.885	22.48	.432	10.97	.351	8.92	.383	9.73	.450	11.43	
8	1.230	31.24	.930	23.62	.493	12.52	.398	10.11	.429	10.90	.495	12.57	
9	1.290	32.77	.990	25.15	.551	14.00	.454	11.53	.486	12.34	.555	14.10	
10	1.360	34.54	1.060	26.92	.620	15.75	.529	13.44	.563	14.30	.625	15.88	
11	1.420	36.07	1.120	28.45	.662	16.81	.587	14.91	.618	15.70	.690	17.53	
12	1.485	37.72	1.185	30.10	.703	17.86	.646	16.41	.676	17.17	.750	19.05	
14	1.600	40.64	1.300	33.02	.863	21.92	.768	19.51	.800	20.32	.865	21.97	
15	1.665	42.29	1.365	34.67	.912	23.16	.828	21.03	.860	21.84	.930	23.62	

Dimensions in Inches (millimeters) are subject to change without notice.

# Series 804 Push-Pull Mighty Mouse Receptacle Connector

## 804-003 and 804-004 Ordering Information



**In-Line**



**Rear Panel Mount  
Jam Nut**



**Front Panel Mount  
Jam Nut**

### Integral Band Platform

for direct attachment of a cable shield. Install a boot, or overmold directly onto the band platform. Or, choose an accessory thread for attaching strain reliefs and backshells.

### Watertight, Shielded

O-ring inside the receptacle provides a dynamic seal when mated. Gold-plated spring provides secure mechanical retention and low shell-to-shell resistance for excellent EMI shielding.

### Three Shell Styles

Jam nut with O-ring for front or rear panel mounting, or in-line receptacles for free-hanging cables.

How To Order						
<b>Sample Part Number</b>	<b>804-003</b>	<b>-01</b>	<b>M</b>	<b>7-10</b>	<b>P</b>	
<b>Series (See Table I)</b>	<b>804-003</b> = Receptacle with Banding Platform <b>804-004</b> = Receptacle with Accessory Thread					
<b>Shell Style (See Table II)</b>	<b>-00</b> = Front Panel Mount Jam Nut (See Table V) <b>-01</b> = In-Line <b>-07</b> = Rear Panel Mount Jam Nut (See Table IV)					
<b>Shell Material and Finish</b>	<b>C</b> = Aluminum / Black Anodize (Non-Conductive); RoHS Compliant <b>M</b> = Aluminum / Electroless Nickel; RoHS Compliant <b>MT</b> = Aluminum / Nickel-PTFE RoHS Compliant <b>NF</b> = Aluminum / Cadmium with Olive Drab Chromate <b>ZNU</b> = Aluminum / Zinc-Nickel with Black Chromate <b>Z1</b> = Stainless Steel / Passivated; RoHS Compliant					
<b>Shell Size - Insert Arrangement</b>	See Contact Arrangements Page G-2					
<b>Contact Type</b>	<b>Connector supplied without contacts</b> <b>A</b> = Pin, Crimp <b>B</b> = Socket, Crimp	<b>Connector supplied Crimp contacts</b> <b>P</b> = Pin Connector <b>S</b> = Socket Connector	<b>Connector Supplied with 30 AWG Crimp Barrel</b> <b>G</b> = Pin, Crimp <b>H</b> = Socket, Crimp	Connectors with contacts are supplied with signal and/or power crimp contacts. These contacts are not installed. Coaxial contacts and non-standard signal contacts are ordered separately.		
<b>Shell Key Positions (See Table III)</b>	<b>Omit</b> = Single Master Key <b>A</b> = Normal <b>B</b> = Pos. B <b>C</b> = Pos. C <b>D</b> = Pos. D <b>E</b> = Pos. E <b>F</b> = Pos. F					

Table I: Series	
<b>804-003</b> Receptacle with Banding Platform	<b>804-004</b> Receptacle with Accessory Thread

Table II: Shell Style		
<b>-00</b> Jam Nut for Front Panel Mounting	<b>-01</b> In-Line for Free-Hanging Cable	<b>-07</b> Jam Nut for Rear Panel Mounting

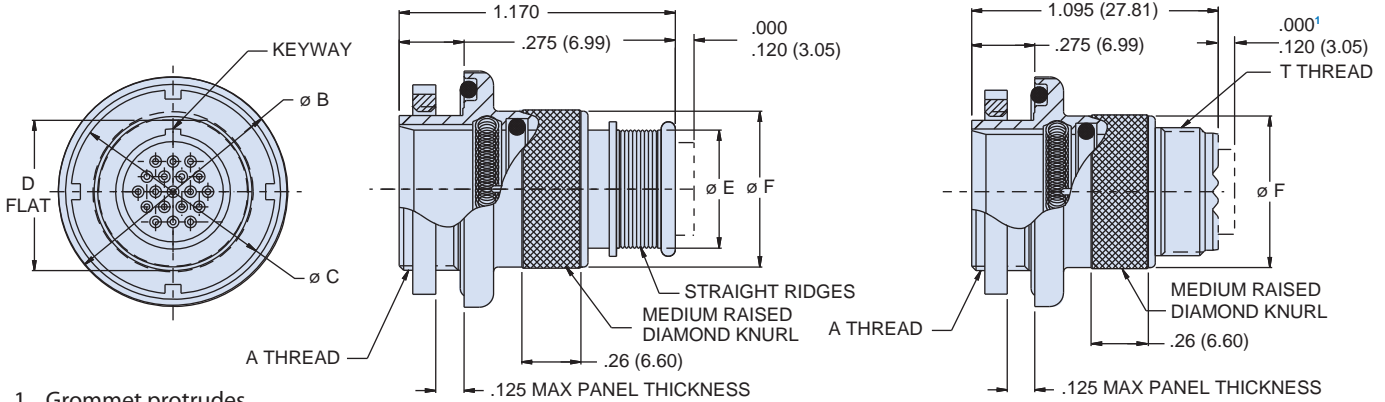
Dimensions in Inches (millimeters) are subject to change without notice.



# Series 804 Push-Pull Mighty Mouse Receptacle Connector

804-004-07 and 804-003-07 Dimensions

## Jam nut, rear panel mount receptacle - shell style 07



1. Grommet protrudes for power/combo arrangements

**Integral Band Platform**  
804-003-07

**Accessory Thread**  
804-004-07

Dimensions												
Shell Size	A Thread	Ø B		Ø C		D Flat		Ø E		Ø F		T Threads
		In.	mm.	In.	mm.	In.	mm.	In.	mm.	In.	mm.	
5	.4375-32 UN-2A	.790	20.07	.562	14.27	.415	10.54	.246	6.25	.450	11.43	.2500-32 UNEF-2A
6	.5000-32 UN-2A	.830	21.08	.625	15.87	.467	14.40	.286	7.26	.480	12.19	.3125-32 UNEF-2A
7	.6250-28 UN-2A	.900	22.86	.750	19.05	.594	15.09	.390	9.91	.580	14.73	.4375-28 UNEF-2A
8	.6250-28 UN-2A	.900	22.86	.750	19.05	.594	15.09	.442	11.23	.603	15.32	.5000-28 UNEF-2A
9	.6875-28 UN-2A	1.000	25.40	.812	20.62	.655	16.64	.500	12.70	.695	17.65	.5625-24 UNEF-2A
10	.7500-28 UN-2A	1.085	27.48	.875	22.22	.721	18.31	.564	14.33	.735	18.67	.6250-24 UNEF-2A
11	.8125-28 UN-2A	1.135	28.83	.938	23.83	.788	20.02	.608	15.44	.810	20.57	.6875-24 UNEF-2A
12	.8750-28 UN-2A	1.180	29.97	1.000	25.40	.843	21.41	.650	16.51	.880	22.35	.6875-24 UNEF-2A
14	1.0000-28 UN-2A	1.325	33.66	1.125	28.57	.968	24.59	.805	20.45	1.010	25.65	.9375-20 UNEF-2A

Table III: Alternate Key Positions

Pos.	A°	B°
A	150°	210°
B	75°	210°
C	95°	230°
D	140°	275°
E	75°	275°
F	95°	210°

Rear Mount Jam Nut Panel Cutout

Shell Size	A Flat		Ø B	
	In. ± .002	mm. ± 0.05	In. ± .005	mm. ± 0.13
5	.427/.423	10.85/10.74	.448	11.38
6	.479/.475	12.17/12.07	.510	12.95
7	.606/.602	15.39/15.29	.635	16.13
8	.606/.602	15.39/15.29	.635	16.13
9	.667/.663	16.94/16.84	.695	17.65
10	.734/.729	18.64/18.52	.760	19.30
11	.801/.796	20.35/20.22	.822	20.88
12	.855/.851	21.72/21.62	.885	22.48
14	.980/.976	24.89/24.79	1.010	25.65

Dimensions in Inches (millimeters) are subject to change without notice.

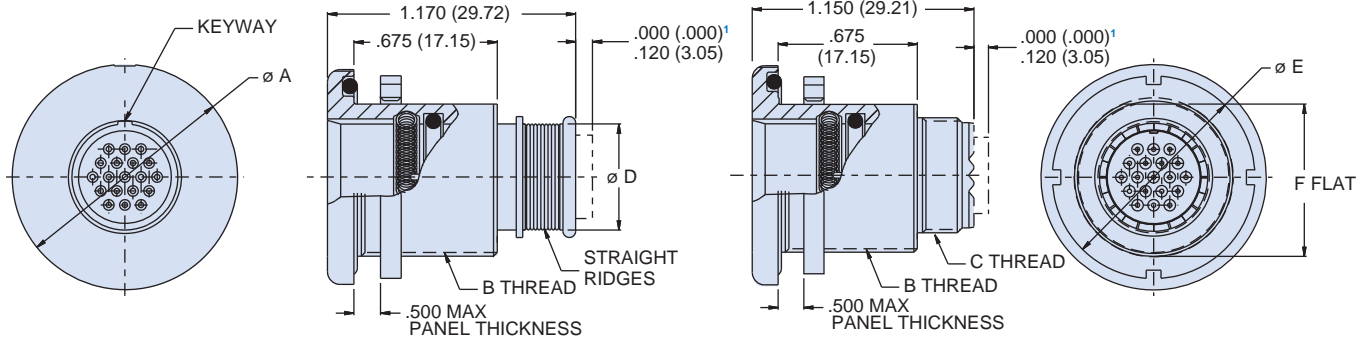
# Series 804 Push-Pull Mighty Mouse Receptacle Connector

## 804-004-00 and 804-003-00 Dimensions



Series 804

### Jam nut, front panel mount receptacle - shell style 00



1. Grommet protrudes for power/combo arrangements

**Integral Band Platform**  
804-003-00

**Accessory Thread**  
804-004-00

Shell Size	Dimensions									
	Ø A		B Threads	C Threads	Ø D		Ø E		F Flat	
	In.	mm.			In.	mm.	In.	mm.	In.	mm.
5	.830	21.08	.5000-32 UN-2A	.2500-32 UNEF-2A	.246	6.25	.625	15.87	.470	11.94
6	.885	22.48	.5625-32 UN-2A	.3125-32 UNEF-2A	.286	7.26	.688	17.47	.530	13.46
7	.995	25.27	.6875-28 UN-2A	.4375-28 UNEF-2A	.390	9.91	.812	20.62	.663	16.84
8	.995	25.27	.6875-28 UN-2A	.5000-28 UNEF-2A	.442	11.23	.812	20.62	.663	16.84
9	1.075	27.31	.7500-28 UN-2A	.5625-24 UNEF-2A	.500	12.70	.875	22.22	.720	18.29
10	1.140	28.95	.8125-28 UN-2A	.6250-24 UNEF-2A	.564	14.33	.938	23.82	.788	20.02
11	1.190	30.23	.8750-28 UN-2A	.6875-24 UNEF-2A	.608	15.44	1.000	25.4	.843	21.41
12	1.340	34.04	1.0000-28 UN-2A	.6875-24 UNEF-2A	.650	16.51	1.125	28.57	.970	24.64
14	1.390	35.31	1.0620-20 UN-2A	.9375-20 UNEF-2A	.805	20.45	1.162	29.51	1.020	25.91

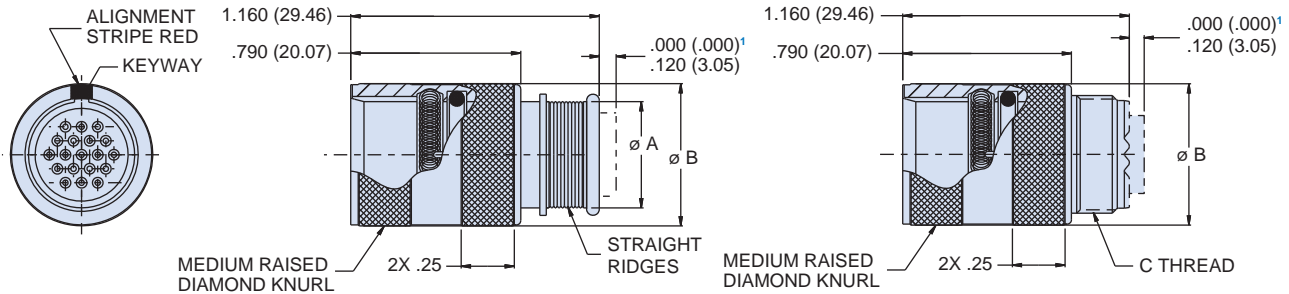
Front Mount Jam Nut Panel Cutout				
Shell Size	A Flat		Ø B	
	In. ± .002	mm. ± 0.05	In. ± .005	mm. ± 0.13
5	.482 .478	12.24 12.14	.510	12.95
6	.542 .538	13.77 13.67	.575	14.61
7	.676 .671	17.17 17.04	.698	17.73
8	.676 .671	17.17 17.04	.698	17.73
9	.732 .728	18.59 18.49	.760	19.30
10	.801 .796	20.35 20.22	.822	20.88
11	.855 .851	21.72 21.62	.885	22.48
12	.982 .978	24.94 24.84	1.010	25.65
14	1.032 1.028	26.21 26.11	1.075	27.31

Dimensions in Inches (millimeters) are subject to change without notice.

# Series 804 Push-Pull Mighty Mouse Receptacle Connector

## 804-004-01 and 804-003-01 Dimensions

### Cable receptacle - shell style 01



1. Grommet protrudes for power/combo arrangements

#### Integral Band Platform

804-003-01

#### Accessory Thread

804-004-01

Dimensions					
Shell Size	Ø A		Ø B		C Threads
	In.	mm.	In.	mm.	
5	.246	6.25	.450	11.43	.2500-32 UNEF-2A
6	.286	7.26	.480	12.19	.3125-32 UNEF-2A
7	.390	9.91	.580	14.73	.4375-28 UNEF-2A
8	.442	11.23	.603	15.32	.5000-28 UNEF-2A
9	.500	12.70	.695	17.65	.5625-24 UNEF-2A
10	.564	14.33	.735	18.67	.6250-24 UNEF-2A
11	.608	15.44	.810	20.57	.6875-24 UNEF-2A
12	.650	16.51	.880	22.35	.6875-24 UNEF-2A
14	.805	20.45	1.010	25.65	.9375-20 UNEF-2A

Dimensions in Inches (millimeters) are subject to change without notice.



# Series 804 Push-Pull Mighty Mouse PC Tail or Solder Cup Receptacle

## 804-005, 804-020 Ordering Information

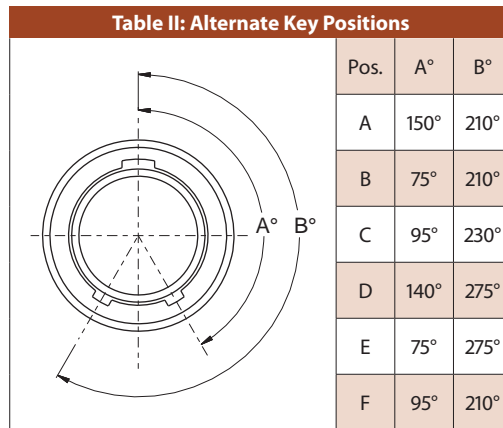
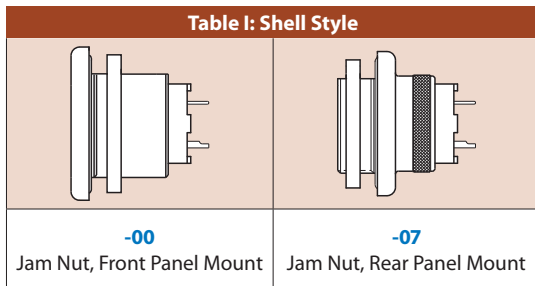


**Panel Mount Receptacles** feature factory-installed non-removable contacts. Choose solder cup or PC Tail terminals. Available in front or rear panel mount versions.

### Water Immersion, Unmated

Specify **804-005** connectors for applications where open face water immersion is not a requirement. For MIL-STD-810 Method 512G immersion requirements, specify **804-020** watertight connectors. These 804-020 connectors are specially sealed ("MOD-518") and are 100% tested to maintain a helium leak rate of  $1 \times 10^{-4}$  cc/second at one atmosphere pressure differential from -40C to +70C.

How To Order						
<b>Sample Part Number</b>	<b>804-005</b>	<b>-07</b>	<b>NF</b>	<b>9-4</b>	<b>E</b>	<b>A</b>
<b>Series</b>	<b>804-005</b> = Solder Cup or PCB Receptacle with Standard Potting <b>804-020</b> = Solder Cup or PCB Receptacle with Special "MOD-518" Sealing for Open Face (Unmated) Water Immersion Requirements. 100% Leak Tested.					
<b>Shell Style (See Table I)</b>	<b>-00</b> = Front Panel Mount Jam Nut (See Table IV) <b>-07</b> = Rear Panel Mount Jam Nut (See Table III)					
<b>Shell Material and Finish</b>	<b>C</b> = Aluminum / Black Anodize (Non-Conductive); RoHS Compliant <b>M</b> = Aluminum / Electroless Nickel; RoHS Compliant <b>MT</b> = Aluminum / Nickel-PTFE RoHS Compliant <b>NF</b> = Aluminum / Cadmium with Olive Drab Chromate <b>ZNU</b> = Aluminum / Zinc-Nickel with Black Chromate <b>Z1</b> = Stainless Steel / Passivated; RoHS Compliant					
<b>Shell Size - Insert Arrangement</b>	See Contact Arrangements Page G-2					
<b>Contact Type</b>	<b>P</b> = Pin, PC Tail <b>E</b> = Pin, Solder Cup <b>S</b> = Socket, PC Tail <b>F</b> = Socket, Solder Cup					
<b>Shell Key Positions (See Table II)</b>	<b>Omit</b> = Single Master Key <b>A</b> = Normal <b>B</b> = Pos. B <b>C</b> = Pos. C <b>D</b> = Pos. D <b>E</b> = Pos. E <b>F</b> = Pos. F					

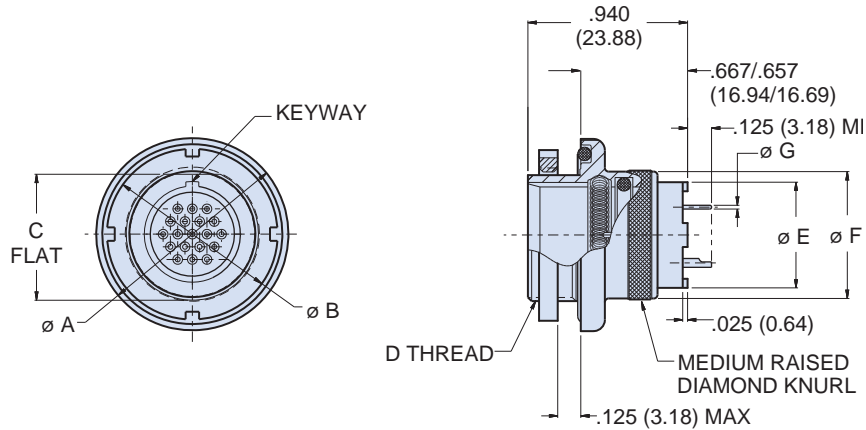


Dimensions in Inches (millimeters) are subject to change without notice.



Series 804 Push-Pull Mighty Mouse Connector  
PCB or Solder Cup Receptacle  
804-005-07, 804-020-07 Dimensions

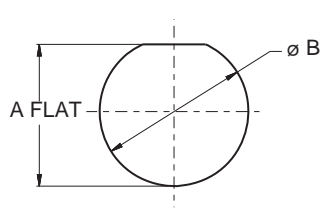
Jam nut, rear panel mount receptacle - style 07



Rear Panel Jam Nut  
804-005-07

Dimensions												
Shell Size	Ø A		Ø B		C Flat		D Threads	Ø E		Ø F		Ø G Tail Dia.
	In.	mm.	In.	mm.	In.	mm.		In.	mm.	In.	mm.	
5	.730	18.54	.562	14.27	.415	10.54	.4375-32 UN-2A	.244	6.20	.435	11.05	<b>#23</b> .018/.022 (0.46/0.56) <b>#20</b> .024/.028 (0.61/0.71) <b>#16</b> .060/.064 (1.52/1.63) <b>#12</b> .092/.096 (2.34/2.44)
6	.730	18.54	.625	15.87	.467	14.40	.5000-32 UN-2A	.330	8.38	.483	12.27	
7	.910	23.11	.750	19.05	.594	15.09	.6250-28 UN-2A	.432	10.97	.570	14.48	
8	.955	24.26	.750	19.05	.594	15.09	.6250-28 UN-2A	.493	12.52	.593	15.06	
9	1.000	25.40	.812	20.62	.655	16.64	.6875-28 UN-2A	.551	14.00	.685	17.40	
10	1.085	27.48	.875	22.22	.721	18.31	.7500-28 UN-2A	.620	15.75	.725	18.42	
11	1.135	28.83	.938	23.83	.788	20.02	.8125-28 UN-2A	.662	16.81	.810	20.57	
12	1.190	30.23	1.000	25.40	.843	21.41	.8750-28 UN-2A	.703	17.86	.850	21.59	
14	1.325	33.66	1.125	28.57	.968	24.59	1.0000-28 UN-2A	.863	21.92	.973	24.71	

Rear Mount Jam Nut Panel Mount Cutout				
Shell Size	A Flat		Ø B	
	In. ± .002	mm. ± 0.05	In. ± .005	mm. ± 0.13
5	.427/.423	10.85/10.74	.448	11.38
6	.479/.475	12.17/12.07	.510	12.95
7	.606/.602	15.39/15.29	.635	16.13
8	.606/.602	15.39/15.29	.635	16.13
9	.667/.663	16.94/16.84	.695	17.65
10	.734/.729	18.64/18.52	.760	19.30
11	.801/.796	20.35/20.22	.822	20.88
12	.855/.851	21.72/21.62	.885	22.48
14	.980/.976	24.89/24.79	1.010	25.65



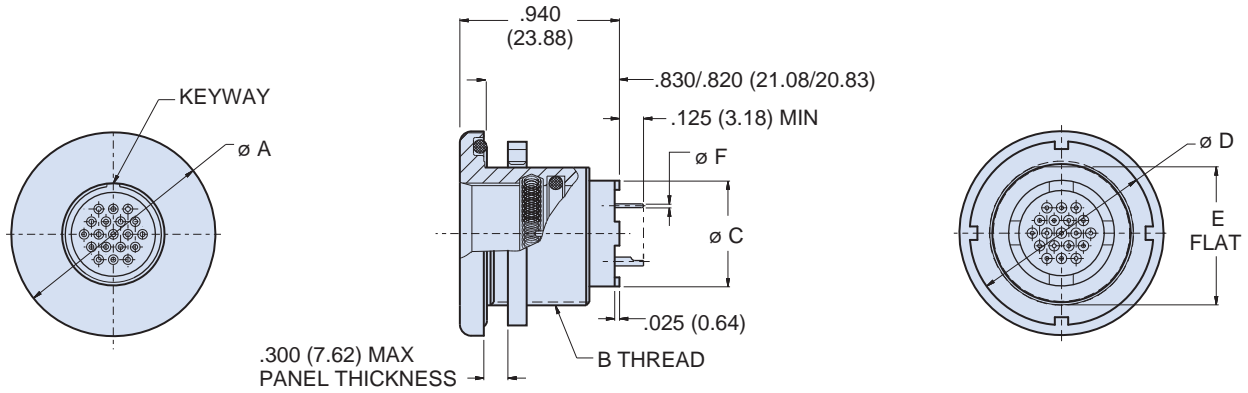
Dimensions in Inches (millimeters) are subject to change without notice.

Series 804 Push-Pull Mighty Mouse Connector  
PC Tail or Solder Cup Receptacle  
804-005-00, 804-020-00 Dimensions



Series 804

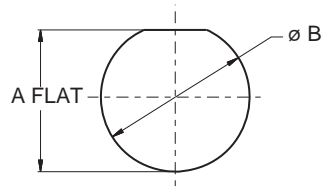
**Jam nut, front panel mount receptacle - style 00**



**Front Panel Jam Nut**  
804-005-00

Dimensions										
Shell Size	Ø A		B Threads	Ø C		Ø D		E Flat		Ø F Tail Dia.
	In.	mm.		In.	mm.	In.	mm.	In.	mm.	
5	.830	21.08	.5000-32 UN-2A	.244	6.20	.625	15.87	.470	11.94	#23 .018/.022 (0.46/0.56) #20 .024/.028 (0.61/0.71) #16 .060/.064 (1.52/1.63) #12 .092/.096 (2.34/2.44)
6	.885	22.48	.5625-28 UN-2A	.330	8.38	.688	17.47	.530	13.46	
7	.995	25.27	.6875-28 UN-2A	.432	10.97	.812	20.62	.663	16.84	
8	.995	25.27	.6875-28 UN-2A	.493	12.52	.812	20.62	.663	16.84	
9	1.075	27.31	.7500-28 UN-2A	.551	14.00	.875	22.22	.720	18.29	
10	1.140	28.95	.8125-28 UN-2A	.620	15.75	.938	23.82	.788	20.02	
11	1.190	30.23	.8750-28 UN-2A	.662	16.81	1.000	25.4	.843	21.41	
12	1.340	34.04	1.0000-28 UN-2A	.703	17.86	1.125	28.57	.970	24.64	
14	1.390	35.31	1.0620-20 UN-2A	.863	21.92	1.162	29.51	1.020	25.91	

Front Mount Jam Nut Panel Cutout					
Shell Size	A Flat		Ø B		Shell Size
	In.	mm.	In.	mm.	
5	±.002	±0.05	±.005	±0.13	5
6	0.480	12.19	0.510	12.95	6
7	0.540	13.73	0.575	14.61	7
8	0.673	17.09	0.698	17.73	8
9	0.673	17.09	0.698	17.73	9
10	0.730	18.54	0.760	19.30	10
11	0.798	20.27	0.822	20.88	11
12	0.853	21.67	0.885	22.48	12
14	0.980	24.89	1.010	25.65	14
14	1.030	26.16	1.075	27.31	14



Dimensions in Inches (millimeters) are subject to change without notice.





## Series 804 Push-Pull Mighty Mouse Hermetic Receptacle

### 804-006 Ordering Information



#### Series 804 Hermetic Receptacles

feature 304L stainless steel shells, fused vitreous glass insulators and gold-plated Alloy 52 iron alloy contacts.

#### 1 X 10<sup>-7</sup> cc/second

maximum helium leak rate when tested at 1 atmosphere vacuum.

#### Two Shell Styles are available:

**Style 00** for front panel mounting  
**Style 07** for rear panel mounting.

#### "Push-Pull" Quick-Disconnect

Canted coil spring securely retains mating plug connector and provides low shell-to-shell resistance for excellent EMI shielding. O-ring inside receptacle shell provides water-tight seal when mated.

#### How To Order

Sample Part Number	804-006	-07	Z1	9-19	P	A
<b>Series</b>	804-006 = Hermetic Receptacle					
<b>Shell Style (See Table I)</b>	-00 = Front Panel Mount Jam Nut (See Table IV) -07 = Rear Panel Mount Jam Nut (See Table III)					
<b>Shell Material and Finish</b>	Z1 = Stainless Steel / Passivated; RoHS Compliant ZL = Stainless Steel/Nickel Plated					
<b>Shell Size - Insert Arrangement</b>	See Contact Arrangements Page G-2					
<b>Contact Type</b>	P = Pin, Solder Cup      C = Pin, PC Tail S = Socket, Solder Cup      D = Socket, PC Tail					
<b>Shell Key Positions (See Table II)</b>	Omit = Single Master Key    A = Normal    B = Pos. B    C = Pos. C    D = Pos. D    E = Pos. E    F = Pos. F					

Table I: Shell Style

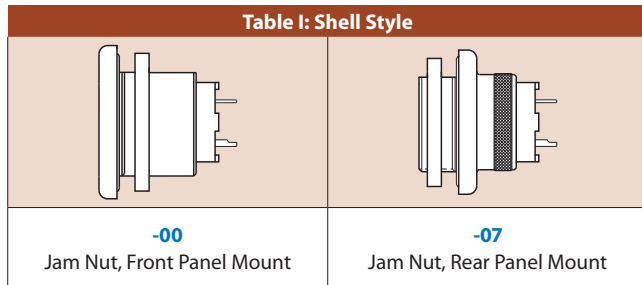


Table II: Alternate Key Positions

Pos.	A°	B°
A	150°	210°
B	75°	210°
C	95°	230°
D	140°	275°
E	75°	210°
F	95°	210°

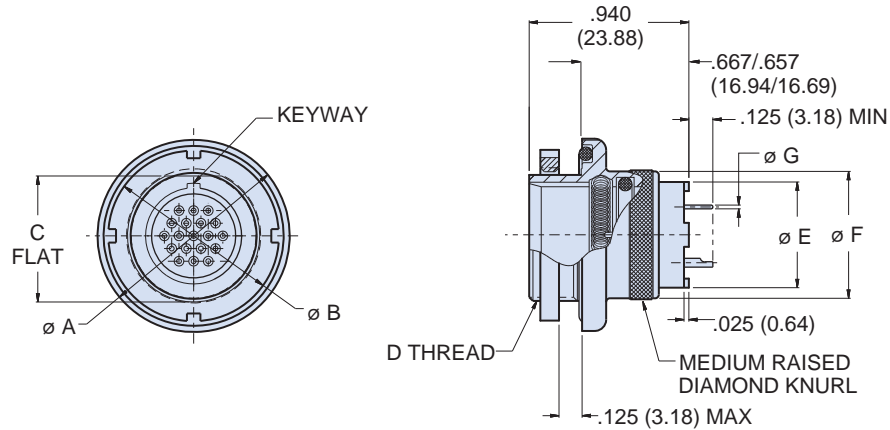
Dimensions in Inches (millimeters) are subject to change without notice.

Series 804 Push-Pull Mighty Mouse  
Hermetic Receptacle  
804-006-07 Dimensions



Series 804

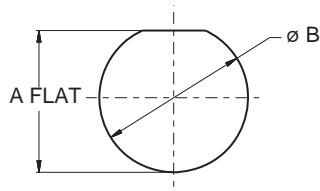
**Jam nut, rear panel mount receptacle - shell style 07**



**Rear Panel Jam Nut**  
804-006-07

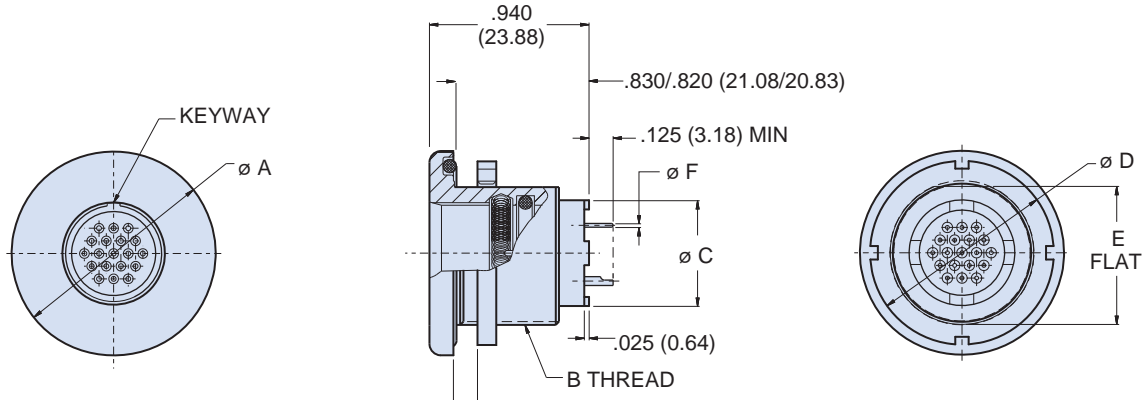
Dimensions												
Shell Size	Ø A		Ø B		C Flat		D Threads	Ø E		Ø F		Ø G Tail Dia.
	In.	mm.	In.	mm.	In.	mm.		In.	mm.	In.	mm.	
5	.790	20.07	.562	14.27	.415	10.54	.4375-32 UN-2A	.244	6.20	.450	11.43	#23 .018/.022 (0.46/0.56) #20 .024/.028 (0.61/0.71) #16 .060/.064 (1.52/1.63) #12 .092/.096 (2.34/2.44)
6	.830	21.08	.625	15.87	.467	14.40	.5000-32 UN-2A	.336	8.53	.520	13.21	
7	.910	23.11	.750	19.05	.594	15.09	.6250-28 UN-2A	.432	10.97	.580	14.73	
8	.955	24.26	.750	19.05	.594	15.09	.6250-28 UN-2A	.493	12.52	.603	15.32	
9	1.000	25.40	.812	20.62	.655	16.64	.6875-28 UN-2A	.551	14.00	.695	17.65	
10	1.085	27.48	.875	22.22	.721	18.31	.7500-28 UN-2A	.620	15.75	.735	18.67	
11	1.135	28.83	.938	23.83	.788	20.02	.8125-28 UN-2A	.662	16.81	.810	20.57	
12	1.180	29.97	1.000	25.40	.843	21.41	.8750-28 UN-2A	.703	17.86	.880	22.35	
14	1.325	33.66	1.125	28.57	.968	24.59	1.0000-28 UN-2A	.863	21.92	1.010	25.65	

Rear Mount Jam Nut Panel Cutout				
Shell Size	A Flat		Ø B	
	In. ± .002	mm. ± 0.05	In. ± .005	mm. ± 0.13
5	.425	10.8	.448	11.38
6	.477	12.12	.510	12.95
7	.604	15.34	.635	16.13
8	.604	15.34	.635	16.13
9	.665	16.89	.695	17.65
10	.731	18.57	.760	19.30
11	.798	20.26	.822	20.88
12	.853	21.67	.885	22.48
14	.978	28.84	1.010	25.65



Dimensions in Inches (millimeters) are subject to change without notice.

## Jam nut, front panel mount receptacle- shell style 00



**Front Panel Jam Nut**  
804-006-00

Dimensions										
Shell Size	Ø A		B Threads	Ø C		Ø D		E Flat		Ø F Tail Dia.
	In.	mm.		In.	mm.	In.	mm.	In.	mm.	
5	.830	21.08	.5000-32 UN-2A	.244	6.20	.625	15.87	.470	11.94	<b>#23</b> .018/.022 (0.46/0.56) <b>#20</b> .024/.028 (0.61/0.71) <b>#16</b> .060/.064 (1.52/1.63) <b>#12</b> .092/.096 (2.34/2.44)
6	.885	22.48	.5625-28 UN-2A	.336	8.53	.688	17.47	.530	13.46	
7	.995	25.27	.6875-28 UN-2A	.432	10.97	.812	20.62	.663	16.84	
8	.995	25.27	.6875-28 UN-2A	.493	12.52	.812	20.62	.663	16.84	
9	1.075	27.31	.7500-28 UN-2A	.551	14.00	.875	22.22	.720	18.29	
10	1.140	28.95	.8125-28 UN-2A	.620	15.75	.938	23.82	.788	20.02	
11	1.190	30.23	.8750-28 UN-2A	.662	16.81	1.000	25.4	.843	21.41	
12	1.340	34.04	1.0000-28 UN-2A	.703	17.86	1.125	28.57	.970	24.64	
14	1.390	35.31	1.0625-20 UN-2A	.863	21.92	1.162	30.18	1.020	25.91	

**Table IV: Front Mount Jam Nut Panel Cutout**

Shell Size	A Flat		Ø B	
	In. ± .002	mm. ± 0.05	In. ± .005	mm. ± 0.13
5	.480	12.19	0.510	12.95
6	.538	13.67	0.575	14.61
7	.671	17.04	0.698	17.73
8	.671	17.04	0.698	17.73
9	.728	18.49	0.760	19.30
10	.796	20.22	0.822	20.88
11	.851	21.62	0.885	22.48
12	.978	28.84	1.010	25.65
14	1.028	26.11	1.075	27.31

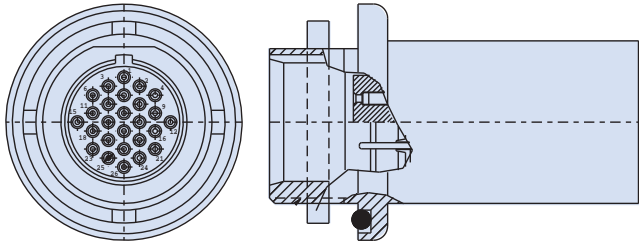
Dimensions in Inches (millimeters) are subject to change without notice.

# Series 804 Push-Pull Mighty Mouse Bulkhead Feed-Thru Receptacle

## 804-067-07 Ordering Information



Series 804



### Series 804 Bulkhead Feed-Thru Receptacle

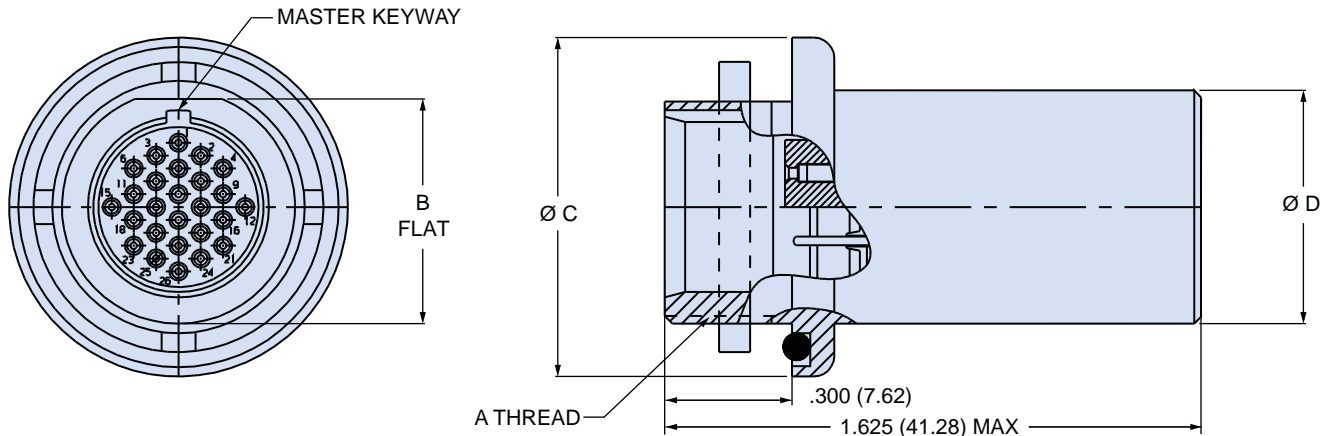
Use when it is desirable to have a separable connection on both sides of the mounting panel. Jam nut receptacle features three contact options: pin/socket (preferred version), pin/pin or socket/socket. Contacts are factory installed and are not removable. Available in aluminum or stainless steel. Gold-plated copper alloy contacts and ground spring, LCP insulator, fluorosilicone seals. Note: use caution when specifying pin/pin or socket/socket versions. the arrangement pattern is mirrored about the vertical axis.

How To Order							
Sample Part Number	804-067	-07	M	6-7	P	P	A
Series	804-067 = Bulkhead Feed-Thru Receptacle						
Shell Style	-07 = Jam Nut						
Shell Material and Finish	C = Aluminum / Black Anodize (Non-Conductive); RoHS Compliant M = Aluminum / Electroless Nickel; RoHS Compliant MT = Aluminum / Nickel-PTFE RoHS Compliant NF = Aluminum / Cadmium with Olive Drab Chromate ZN = Aluminum / Zinc-Nickel with Olive Drab Chromate ZNU = Aluminum / Zinc-Nickel with Black Chromate Z1 = Stainless Steel / Passivated; RoHS Compliant						
Shell Size - Insert Arrangement	Available in Shell Sizes 5 thru 14. See Contact Arrangements Page G-3						
Contact Type Jam Nut Side	P = Pin S = Socket						
Contact Type Other Side	P = Pin S = Socket						
Shell Key Positions (See Table I)	A = Normal B = Pos. B C = Pos. C D = Pos. D E = Pos. E F = Pos. F						



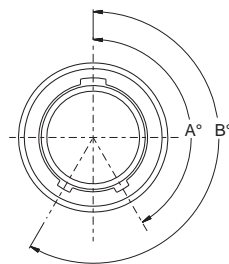
Dimensions in Inches (millimeters) are subject to change without notice.

### Rear panel, jam nut mount - style 07



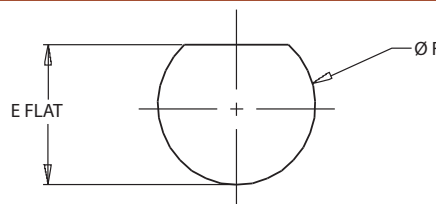
Dimensions							
Shell Size	A Thread	B Flat		Ø C		Ø D	
		In.	mm.	In.	mm.	In.	mm.
5	.4375-32 UN-2A	.415	10.54	.730	18.54	.450	11.43
6	.5000-32 UN-2A	.467	11.86	.730	18.54	.480	12.19
7	.6250-28 UN-2A	.580	14.73	.900	22.86	.580	14.73
8	.6250-28 UN-2A	.580	14.73	.945	24.00	.603	15.32
9	.6875-28 UN-2A	.655	16.64	1.000	25.40	.695	17.65
10	.7500-28 UN-2A	.721	18.31	1.075	27.31	.735	18.67
11	.8750-28 UN-2A	.790	20.07	1.140	28.96	.810	20.57
12	8125-28 UN-2A	.843	21.41	1.190	30.23	.880	22.35
14	8750-28 UN-2A	.968	24.59	1.312	33.32	1.010	25.65

Table I: Alternate Key Positions



Key Position	Key Rotation	
	A	B
A	150°	210°
B	75°	210°
C	95°	230°
D	140°	275°
E	75°	275°
F	95°	210°

Rear Mount Jam Nut Panel Cutout



Shell Size	E Flat		Ø F	
	In.	mm.	In.	mm.
5	.425/.421	10.80/10.69	.448	11.38
6	.477/.473	12.12/12.01	.510	12.95
7	.590/.586	14.99/14.88	.635	16.13
8	.590/.586	14.99/14.88	.635	16.13
9	.665/.661	16.89/16.79	.698	17.73
10	.731/.727	18.57/18.47	.760	19.30
11	.800/.796	20.32/20.22	.823	20.90
12	.853/.849	21.67/21.56	.885	22.48
14	.978/.974	24.84/24.74	1.010	25.65

Dimensions in Inches (millimeters) are subject to change without notice.



## Series 804 Harsh Environment Shielded Cordsets



Overmolded Cordset

High performance Mighty Mouse cordsets feature easy ordering and fast delivery. These fully shielded and watertight assemblies withstand abrasion, temperature extremes and chemicals. Flexible overmolding provides rugged, watertight protection to wire and shield. Two styles are available: **Style 1** polyamide overmold and polyurethane cable jacket, and **Style 2** improved temperature range, high flexibility thermoplastic rubber overmold and cable jacket. Overmolded Mighty Mouse cordsets are suitable for military gear and other hostile environments where interconnect reliability and survivability is essential.

### Product Features

- Single-ended or double-ended
- Rugged, watertight construction
- 100% electrically tested
- Flexible to -55°C. (Style 2)
- Stainless steel shield termination band
- Resistant to chemicals
- Withstands UV and ozone

### Harsh Environment Cordset Selection Guide

Property	Style 1 Polyurethane Jacket Polyamide Overmold	Style 2 Rubber Jacket Rubber Overmold
Cable jacket	Thermoplastic polyurethane (TPU), black	Thermoplastic elastomer (TPV), black
Overmold	Polyamide, black	Thermoplastic elastomer (TPV), black
Operating temperature	-30° C. to +105° C.	-55° C. to +135° C.
Flexibility	Good	Excellent
Water Resistance	Waterproof	Waterproof
Solvent Resistance, Cable Jacket	Excellent	Good
Solvent Resistance, Overmold	Fair <sup>(1)</sup>	Good
Weatherability	Excellent	Excellent
Abrasion Resistance	Excellent	Good
Flammability	Flame retardant UL 94 V-0	Flame retardant UL 94 HB
Low Smoke, Zero Halogen Cable Jacket	Yes	No
(1) Excellent resistance to most solvents, fuels, and oils; poor resistance to strong acids and bipolar solvents (alcohol)		

### Specifications

Cable jacket	Style 1: thermoplastic polyurethane, black, low-smoke, zero-halogen Style 2: thermoplastic elastomer, black
Overmold	Style 1: polyamide Style 2: thermoplastic elastomer, black
Cable shield	Tin-coated copper braid, 90% minimum coverage
Conductors	Silver coated stranded wire, TFE insulated, per M22759/11
Shield Termination	Band-Master™ ATS stainless steel shield termination band
Current rating	#23 5 amps, #20 7.5 amps, #16 13 amps, #12 23 amps
Test voltage (DWV)	#23 750 Vac, #20 750 vac, #16 and #12 1800 VAC sea level
Insulation resistance	200 Megohms minimum
Shielding effectiveness	50 dB minimum from 100MHz to 1000MHz.

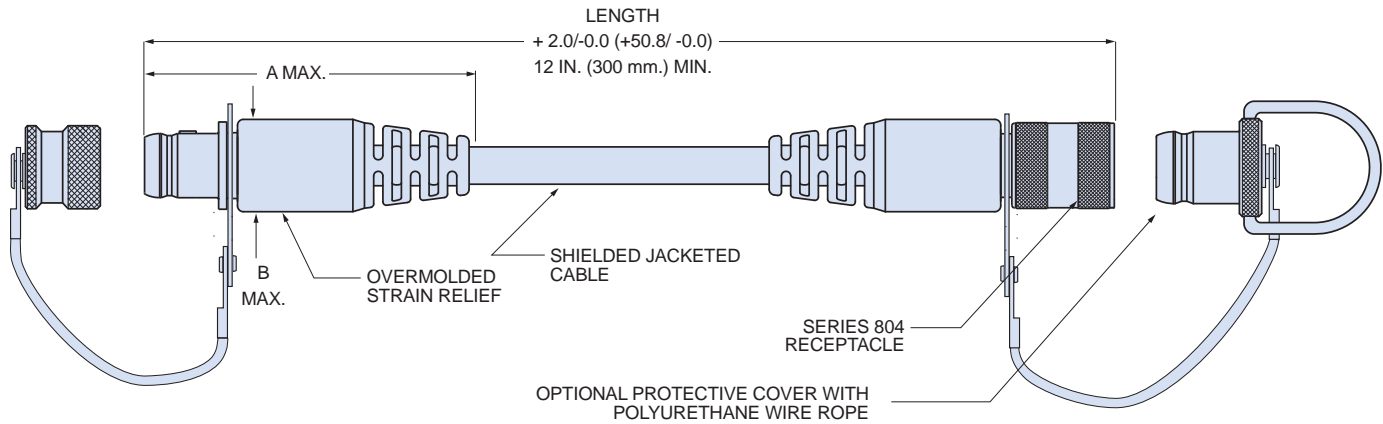
### High-Speed Cordsets

Controlled impedance twisted pair cordsets for Ethernet, USB and other protocols are available. Please refer to Section U

Dimensions in Inches (millimeters) are subject to change without notice.

# Series 804 Push-Pull Mighty Mouse Harsh Environment Overmolded Cordsets

## Dimensions



Dimensions				
Shell Size	A Max.		B Max.	
	In.	mm.	In.	mm.
5	2.46	62.48	0.50	12.70
6	2.56	65.02	0.56	14.22
7	2.64	67.06	0.63	16.00
8	2.70	68.58	0.68	17.27
9	2.90	73.66	0.73	18.54
10	2.95	74.93	0.81	20.57
11	3.0	76.2	0.90	22.86
12	3.10	78.74	0.92	23.37
14	3.20	81.28	1.05	26.67

### NOTES

1. Double-ended cordsets are wired pin #1 to pin #1, #2 to #2, and so on.
2. Wires are silver-coated stranded copper with TFE insulation, 600V, in accordance with M22759/11.
3. Wire color is white.

Dimensions in Inches (millimeters) are subject to change without notice.

# Series 804 Push-Pull Mighty Mouse Overmolded Cordset with Size #23 and #20HD Contacts

## 804-015, -062, -022, and -063 Ordering Information



Series 804

Series 804 Cordsets with #23 Contacts								
Sample Part Number								
804-015	-A	C	2	M	7-10	P	A	-72
Series	End A Connector	End B Connector	Wire Size	Shell Material/ Finish	Insert Arr.	Protective Cover	Shell Key Pos.	Length
<b>804-015</b> <b>Style 1</b> Polyurethane Cable Jacket, Polyamide Overmold	<b>-A</b> Plug, with Male Pin Contacts	<b>A</b> Plug, with Male Pin Contacts	<b>2</b> #22 AWG	<b>M</b> Aluminum / Electroless Nickel	See Insert Arr. page G-2	<b>P</b> Metal Protective Covers Included  <b>N</b> No Covers Supplied	<b>Omit</b> Single Master Key  <b>A</b> Pos. A (Normal)  <b>B</b> Pos. B  <b>C</b> Pos. C  <b>D</b> Pos. D  <b>E</b> Pos. E  <b>F</b> Pos. F  See page G-4	Overall Length In Inches 12 Inch Min.
	<b>-B</b> Plug, with Female Socket Contacts	<b>B</b> Plug, with Female Socket Contacts	<b>4</b> #24 AWG	<b>NF</b> Aluminum / Cadmium with OD Chromate  <b>ZNU</b> Aluminum / Zinc- Nickel with Black Chromate  <b>MT</b> Aluminum / Nickel-PTFE  <b>Z1</b> Stainless Steel / Passivated				
<b>804-062</b> <b>Style 2</b> Rubber Cable Jacket and Overmold	<b>-C</b> Receptacle, with Male Pin Contacts	<b>C</b> Receptacle, with Male Pin Contacts						
	<b>-D</b> Receptacle, with Female Socket Contacts	<b>D</b> Receptacle, with Female Socket Contacts  <b>N</b> No Connector (Single-Ended)						

Series 804 Cordsets with #20HD Contacts								
Sample Part Number								
804-022	-A	C	0	M	8-28	N	A	-72
Series	End A Connector	End B Connector	Wire Size	Shell Material / Finish	Insert Arr.	Protective Cover	Shell Key Pos.	Length
<b>804-022</b> <b>Style 1</b> Polyurethane Cable Jacket, Polyamide Overmold	<b>-A</b> Plug, with Male Pin Contacts	<b>A</b> Plug, with Male Pin Contacts	<b>0</b> #20 AWG	<b>M</b> Aluminum / Electroless Nickel	See Insert Arr. page G-2	<b>P</b> Metal Protective Covers Included  <b>N</b> No Covers Supplied	<b>Omit</b> Single Master Key  <b>A</b> Pos. A (Normal)  <b>B</b> Pos. B  <b>C</b> Pos. C  <b>D</b> Pos. D  <b>E</b> Pos. E  <b>F</b> Pos. F  See page G-4	Overall Length In Inches 12 Inch Min.
	<b>-B</b> Plug, with Female Socket Contacts	<b>B</b> Plug, with Female Socket Contacts	<b>2</b> #22 AWG	<b>NF</b> Aluminum / Cadmium with OD Chromate  <b>ZNU</b> Aluminum / Zinc- Nickel with Black Chromate  <b>MT</b> Aluminum / Nickel- PTFE  <b>Z1</b> Stainless Steel / Passivated				
<b>804-063</b> <b>Style 2</b> Rubber Cable Jacket and Overmold	<b>-C</b> Receptacle, with Male Pin Contacts	<b>C</b> Receptacle, with Male Pin Contacts						
	<b>-D</b> Receptacle, with Female Socket Contacts	<b>D</b> Receptacle, with Female Socket Contacts  <b>N</b> No Connector (Single-Ended)						

Dimensions in Inches (millimeters) are subject to change without notice.





# Series 804 Push-Pull Mighty Mouse Overmolded Cordsets with Size #16 and #12 Contacts

804-018, 064, -019, -065 Ordering Information

Series 804 Cordsets with #16 Contacts								
Sample Part Number								
804-018	-A	C	2	M		N	A	-72
Series	End A Connector	End B Connector	Wire Size	Shell Material / Finish	Insert Arr.	Protective Cover	Shell Key Pos.	Length
<b>804-018</b> <b>Style 1</b> Polyurethane Cable Jacket, Polyamide Overmold <b>804-064</b> <b>Style 2</b> Rubber Cable Jacket and Overmold	<b>-A</b> Plug, with Male Pin Contacts <b>-B</b> Plug, with Female Socket Contacts <b>-C</b> Receptacle, with Male Pin Contacts <b>-D</b> Receptacle, with Female Socket Contacts	<b>A</b> Plug, with Male Pin Contacts <b>B</b> Plug, with Female Socket Contacts <b>C</b> Receptacle, with Male Pin Contacts <b>D</b> Receptacle, with Female Socket Contacts <b>N</b> No Connector (Single-Ended)	<b>6</b> #16 AWG <b>8</b> #18 AWG	<b>M</b> Aluminum / Electroless Nickel <b>NF</b> Aluminum / Cadmium with OD Chromate <b>ZNU</b> Aluminum / Zinc-Nickel with Black Chromate <b>MT</b> Aluminum / Nickel-PTFE <b>Z1</b> Stainless Steel / Passivated	See Insert Arr. page G-2	<b>P</b> Metal Protective Covers Included <b>N</b> No Covers Supplied	<b>Omit</b> Single Master Key <b>A</b> Pos. A (Normal) <b>B</b> Pos. B <b>C</b> Pos. C <b>D</b> Pos. D <b>E</b> Pos. E <b>F</b> Pos. F See page G-4	Overall Length In Inches 12 Inch Min.

Series 804 Cordsets with #12 Contacts								
Sample Part Number								
804-019	-A	C	0	M		N	A	-72
Series	End A Connector	End B Connector	Wire Size	Shell Material / Finish	Insert Arr.	Protective Cover	Shell Key Pos.	Length
<b>804-019</b> <b>Style 1</b> Polyurethane Cable Jacket, Polyamide Overmold <b>804-065</b> <b>Style 2</b> Rubber Cable Jacket and Overmold	<b>-A</b> Plug, with Male Pin Contacts <b>-B</b> Plug, with Female Socket Contacts <b>-C</b> Receptacle, with Male Pin Contacts <b>-D</b> Receptacle, with Female Socket Contacts	<b>A</b> Plug, with Male Pin Contacts <b>B</b> Plug, with Female Socket Contacts <b>C</b> Receptacle, with Male Pin Contacts <b>D</b> Receptacle, with Female Socket Contacts <b>N</b> No Connector (Single-Ended)	<b>2</b> #12 AWG <b>4</b> #14 AWG	<b>M</b> Aluminum / Electroless Nickel <b>NF</b> Aluminum / Cadmium with OD Chromate <b>ZNU</b> Aluminum / Zinc-Nickel with Black Chromate <b>MT</b> Aluminum / Nickel-PTFE <b>Z1</b> Stainless Steel / Passivated	See Insert Arr. page G-2	<b>P</b> Metal Protective Covers Included <b>N</b> No Covers Supplied	<b>Omit</b> Single Master Key <b>A</b> Pos. A (Normal) <b>B</b> Pos. B <b>C</b> Pos. C <b>D</b> Pos. D <b>E</b> Pos. E <b>F</b> Pos. F See page G-4	Overall Length In Inches 12 Inch Min.

Dimensions in Inches (millimeters) are subject to change without notice.

## Series 804 Ultraflexible “Phantom Cable” Cordsets



Phantom Cable cordsets feature high-flex rubber-insulated wires, lightweight shield and overbraided jackets for maximum flexibility, reduced size and minimum weight. Flexible rubber overmold provides strain relief and environmental sealing. EMI shield options include high-strength, ultralightweight **Amberstrand®** nickel-coated composite braid, **ArmorLite™** or lightweight, high flexibility tinned copper braid. Braid outer jackets are available with **NOMEX®**, **HALAR®** or PTFE-coated fiberglass.

### Product Features

- Overbraided cable jacket for excellent flexibility
- Ultra-lightweight AmberStrand® EMI shield
- 100% electrically tested
- Flexible to -55°C.
- Stainless steel shield termination band

### Application Note

Overbraided textile jackets are ideal for applications where flexibility and weight are important. However, water can penetrate through the jacket and cable shield. Dust and contamination can also become entrapped in the braid. Braided jackets are prone to fraying damage caused by snagging on velcro closures and MOLLE vests. Extruded cable jackets are recommended if debris entrapment, moisture ingress or fraying damage are concerns.

Braid Shield Selection Guide			
Property	Amberstrand®	Armorlite®	Copper
Type	nickel-coated high-strength super fiber	Micro-filament nickel-coated stainless steel	Tin-coated copper
Weight/ft. (0.5 in. ID)	3.7 grams	4.4 grams	22.3 grams
Operating Temp <sup>(1)</sup>	-65° C to +200° C	-80° C to +260° C	-80° C to +150° C
Coverage	90% min.	90% min.	90% min.
Flexibility	Excellent	Excellent	Good
Cost Comparison	\$\$\$	\$\$	\$

(1) Rubber wires and rubber overmold are rated for -55° C to +135° C.

Jacket Selection Guide			
Property	NOMEX®	HALAR®	PTFE Coated Fiberglass
Color	Black or olive drab	Black	Tan
Operating Temp <sup>(1)</sup>	-55° C to +260° C	-73° C to +150° C	-75° C to +300° C
Chemical Resistance	Excellent	Excellent	Excellent
Flammability	Self-extinguishing, will not melt	Fire retardant UL VW-1	Self-extinguishing
Toxicity	Non-toxic	Non-toxic	Non-toxic
Flexibility	Excellent	Excellent	Excellent
Abrasion resistance	Excellent	Excellent	Excellent

(1) Rubber wires and rubber overmold are rated for -55° C to +135° C.

Specifications	
Cable jacket	NOMEX®, HALAR® or PTFE-coated fiberglass
Temperature Range	-55° C to +135° C
Overmold	Thermoplastic elastomer, black
Cable shield	AmberStrand®, ArmorLite® or tinned copper, 90% minimum coverage
Conductors	Silver coated stranded wire, rubber insulation
Shield Termination	Band-Master™ ATS stainless steel shield termination band
Current rating	5 amps
Test voltage (DWV)	500 Vac
Insulation resistance	200 Megohms minimum
Shielding effectiveness	50 dB minimum from 100MHz to 1000MHz.

Dimensions in Inches (millimeters) are subject to change without notice.

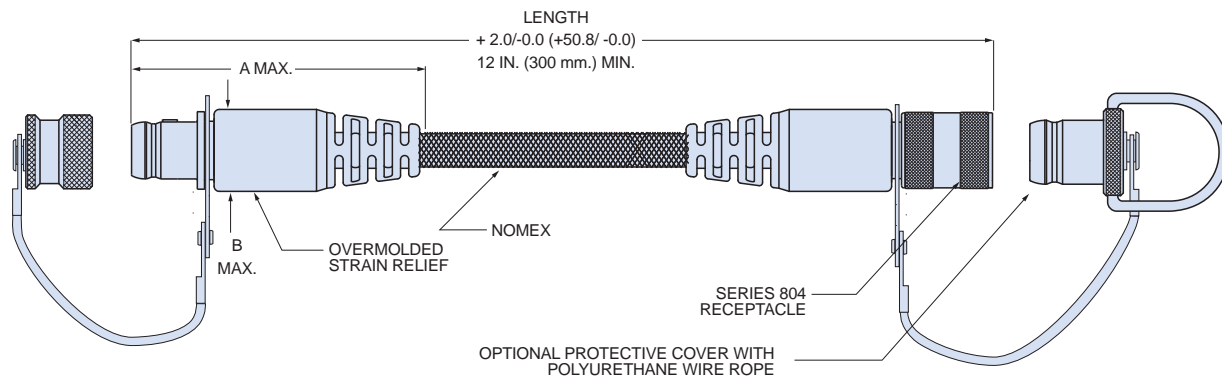


# Series 804 Mighty Mouse Flexible, Lightweight Phantom Cable Cordsets

804-058, -059, 060, 061 Ordering Information

Series 804 "Phantom Cable" Cordsets size #12, #16, #20 and #23 Contacts										
Sample Part Number										
804-058	-B	N	2	Z1	5-3	N	A	-60	C	N
Series	End A Connector	End B Connector	Wire Size	Shell Material/ Finish	Insert Arr.	Protective Cover	Shell Key Pos.	Length	Shield Option	Jacket Option
<b>Size #23 Contacts</b> <b>804-058</b> Phantom Cable Cordset	<b>-A</b> Plug, with Male Pin Contacts	<b>A</b> Plug, with Male Pin Contacts	<b>Size #23 Contacts</b> <b>4</b> #24 AWG	<b>M</b> Aluminum / Electroless Nickel	See Cont. Arr. Page G-2	<b>P</b> Metal Protective Covers Included	<b>Omit</b> Single Master Key	Overall Length In Inches 12 Inch Min.	<b>A</b> Amberstrand	<b>N</b> Nomex, Black
<b>Size #20 HD Contacts</b> <b>804-059</b> Phantom Cable Cordset	<b>-B</b> Plug, with Female Socket Contacts	<b>B</b> Plug, with Female Socket Contacts	<b>6</b> #26 AWG	<b>NF</b> Aluminum / Cadmium with OD Chromate		<b>N</b> No Covers Supplied	<b>A</b> Pos. A (Normal)		<b>B</b> Armorlite	<b>H</b> Halar (Monofil)
<b>Size #16 Contacts</b> <b>804-060</b> Phantom Cable Cordset	<b>-C</b> Rec. with Male Pin Contacts	<b>C</b> Rec. with Male Pin Contacts	<b>8</b> #28 AWG	<b>ZNU</b> Aluminum / Zinc-Nickel with Black Chromate			<b>B</b> Pos. B		<b>C</b> Tin-Coated Copper	<b>P</b> PTFE-Glass (Natural/ Tan)
<b>Size #12 Contacts</b> <b>804-061</b> Phantom Cable Cordset	<b>-D</b> Rec. with Female Socket Contacts	<b>D</b> Rec. with Female Socket Contacts	<b>Size #20 HD Contacts</b> <b>0</b> #20 AWG	<b>MT</b> Aluminum / Nickel-PTFE			<b>C</b> Pos. C			
		<b>N</b> No Connector (Single-Ended)	<b>2</b> #22 AWG	<b>Z1</b> Stainless Steel / Passivated			<b>D</b> Pos. D			
			<b>Size #16 Contacts</b> <b>6</b> #16 AWG				<b>E</b> Pos. E			
			<b>8</b> #18 AWG				<b>F</b> Pos. F			
			<b>Size #12 Contacts</b> <b>2</b> #12 AWG				See page G-4			
			<b>4</b> #14 AWG							

## G



### NOTES

1. Double-ended cordsets are wired pin #1 to pin #1, #2 to #2, and so on.
2. Wires are silver-coated stranded copper with TPE insulation, 600V, UL VW-1 rated.
3. Wires are white with color stripe per MIL-STD-681. Wire #1 is WHT/BLK, wire #2 is WHT/BRN, etc.

Dimensions in Inches (millimeters) are subject to change without notice.

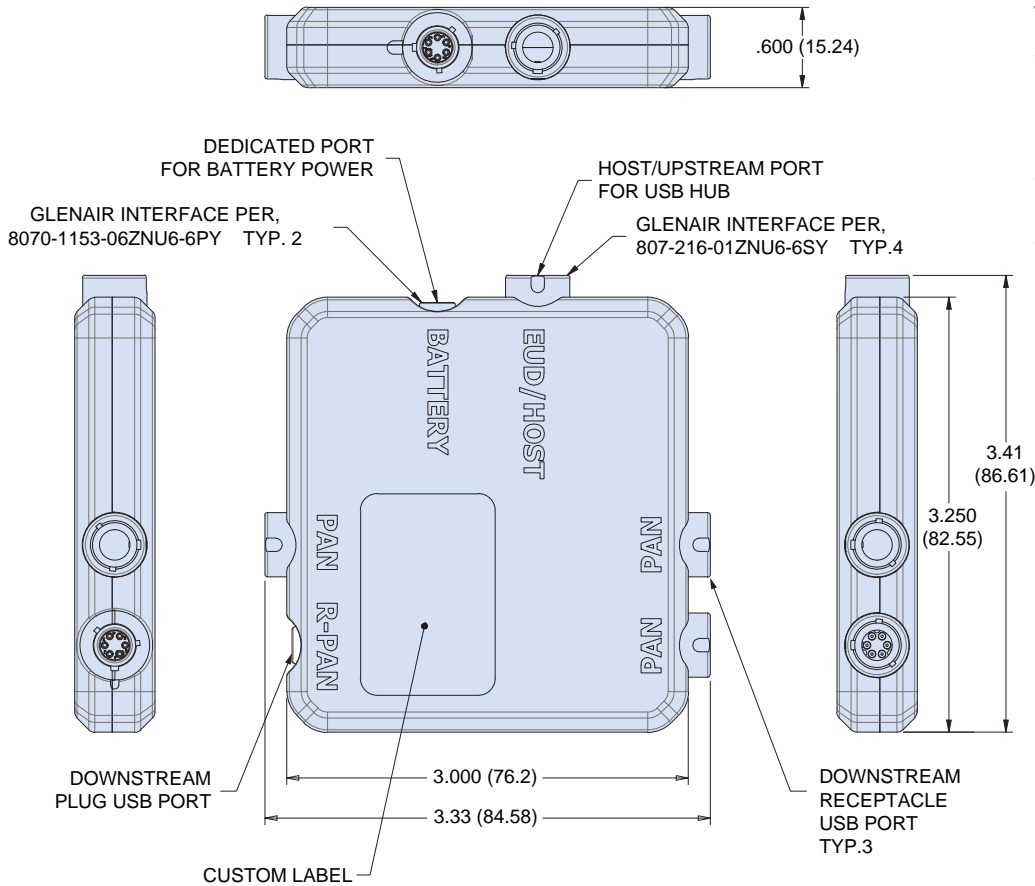
# Series 804 Push/Pull Mighty Mouse USB Cordset Hub 808-086



## 808-086 USB Cordset Hub



The Mighty Mouse USB Cordset Hub regulates 5V USB power from a 16V source while providing power management. Features a dedicated battery port, 3 downstream USB receptacle ports, 1 downstream USB plug port and 1 host/upstream receptacle.



### NOTES:

- Marking: IUID per MIL-STD-130. Red epoxy infill for master key and embossed text
- 100% system tested for functionality.
- Unit pack: 1 each in electrostatic bag, heat-sealed. Includes dust cap.

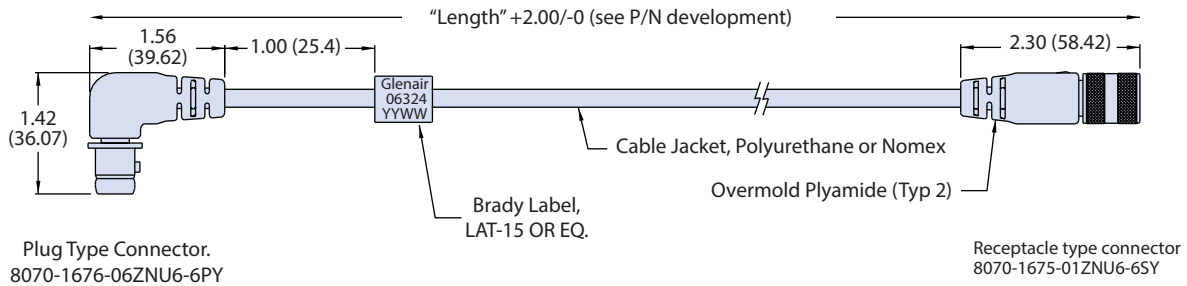
Dimensions in Inches (millimeters) are subject to change without notice.



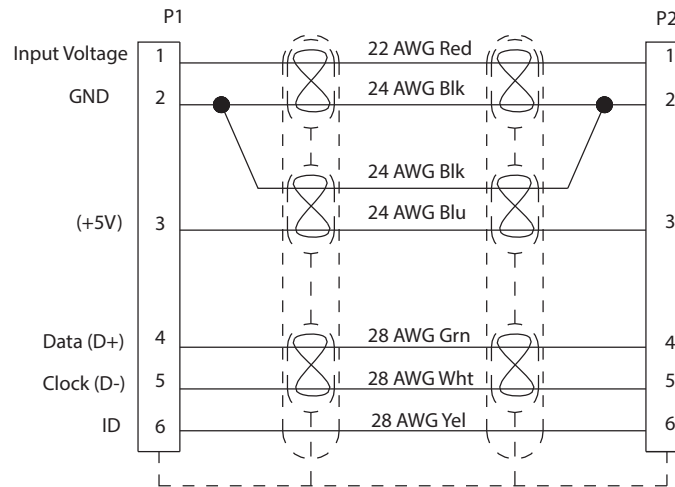
# Series 804 Push/Pull Mighty Mouse USB Tactical Patch Cable 808-007 Interface Adapter

These cordsets feature ruggedized series 804 Mighty Mouse Push/Pull connectors in a size #6 shell with insert arrangements for 6 or 7 pins for both plug and receptacle. Polyurethane cable jacket is suitable for general purpose applications. Mighty Mouse connector is overmolded with polyamide for strain relief and water ingress protection.

**Note: Cable Type D shown for reference only. See Table I and II for Ordering information on polyurethane or Nomex® jacketed cable types.**



## Wiring Diagram



Dimensions in Inches (millimeters) are subject to change without notice.



# Series 804 Push/Pull Mighty Mouse USB Tactical Patch Cable with Polyurethane Jacket 808-007 Interface Adapter



Series 804

**Table I: How To Order Cables with Polyurethane Cable Jacket**

Basic P/N	Cable Type	Length	
808-007	-A = Single Ended -AA = Double Ended	In inches <b>12 = 12 in.</b>	
Sample Part Number			
<b>808-007</b>	<b>-A</b>	<b>12</b>	
Basic P/N	Cable Type	Length	
808-007	-B = Single Ended	In inches <b>12 = 12 in.</b>	
Sample Part Number			
<b>808-007</b>	<b>-B</b>	<b>12</b>	
Basic P/N	Cable Type	Length	
808-007	-C = Single Ended -CC = Double Ended	In inches <b>12 = 12 in.</b>	 
Sample Part Number			
<b>808-007</b>	<b>-C</b>	<b>12</b>	
Basic P/N	Cable Type	Length	
808-007	-D = Single Ended	In inches <b>12 = 12 in.</b>	 
Sample Part Number			
<b>808-007</b>	<b>-D</b>	<b>12</b>	
Basic Part Number	Cable Type	Length	
808-007	-E = Single Ended -EE = Double Ended	In inches <b>12 = 12 in.</b>	
Sample Part Number			
<b>808-007</b>	<b>-E</b>	<b>12</b>	

Dimensions in Inches (millimeters) are subject to change without notice.



# Series 804 Push/Pull Mighty Mouse USB Tactical Patch Cable with Nomex® Jacket 808-007 Interface Adapter

**Table 2: How To Order Cables with Nomex Jacket**

Basic P/N	Cable Type	Length	
808-007	-G = Single Ended -GG = Double Ended	In inches <b>12 = 12 in.</b>	<p style="text-align: center;">"Length" +2.00/-0 (see P/N development)</p> <p style="text-align: center;">Brady label, LAT-18 or EQ.      Cable Jacket, Nomex</p>
Sample Part Number			
<b>808-007</b>	<b>-G</b>	<b>12</b>	
808-007	-H = Single Ended -HH = Double Ended	In inches <b>12 = 12 in.</b>	<p style="text-align: center;">"Length" +2.00/-0 (see P/N development)</p> <p style="text-align: center;">Brady Label, LAT-18 or EQ.      Cable Jacket, Nomex      2.30 (58.42) Overmold, Polyamide (Typ 2)</p>
Sample Part Number			
<b>808-007</b>	<b>-H</b>	<b>12</b>	
808-007	-J = Single Ended -JJ = Double Ended	In inches <b>12 = 12 in.</b>	<p style="text-align: center;">"Length" +2.00/-0 (see P/N development)</p> <p style="text-align: center;">1.56 (39.62)      1.00 (25.4)      Brady Label, LAT-18 or EQ.      Cable Jacket Nomex</p> <p style="text-align: center;">1.42 (36.06)</p> <p style="text-align: center;">Master Key</p>
Sample Part Number			
<b>808-007</b>	<b>-J</b>	<b>12</b>	
808-007	-K = Single Ended -KK = Double Ended	In inches <b>12 = 12 in.</b>	<p style="text-align: center;">"Length" +2.00/-0 (See P/N Development)</p> <p style="text-align: center;">1.56 (39.62)      1.00 (25.4)      Brady Label, LAT-18 or EQ.      Cable Jacket, Nomex      2.30 (58.42) Overmold Polyamide (TYP 2)</p> <p style="text-align: center;">1.42 (36.06)</p> <p style="text-align: center;">Master Key</p>
Sample Part Number			
<b>808-007</b>	<b>-K</b>	<b>12</b>	
808-007	-L = Single Ended -LL = Double Ended	In inches <b>12 = 12 in.</b>	<p style="text-align: center;">"Length" +2.00/-0 (See P/N Development)</p> <p style="text-align: center;">Cable Jacket, Nomex      Brady Label, LAT-18 or EQ.      1.00 (25.4)      2.30 (58.42) Overmold Polyamide (TYP 2)</p>
Sample Part Number			
<b>808-007</b>	<b>-LL</b>	<b>12</b>	

Dimensions in Inches (millimeters) are subject to change without notice.

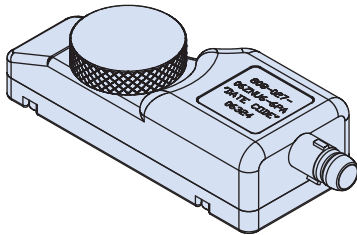
# AN/PRC-148 Radio Connector with Mighty Mouse 804 Push/Pull Interface 808-027 - General Information



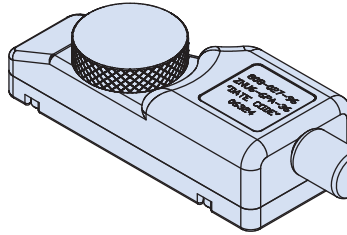
Series 804

These AN/PRC-148, -152, -152A, -154 and RF7800T radio connectors are available as un-cabled, cabled, and cabled pigtail versions to meet your requirements. Connectors feature pogo pin contacts to ensure reliable and consistent performance with situational awareness devices. Cabled and un-cabled versions feature Glenair Mighty Mouse 804 Push/Pull connectors, ideal for breakaway connections. The Series 804 QDC connector features a stainless steel spring in the receptacle and a detent on the plug body. Used for headsets, radios, weapons and other applications, the QDC Mighty Mouse meets immersion requirements and provides excellent durability. The gold-plated spring provides low shell-to-shell resistance for excellent EMI shielding. A fluorosilicone o-ring provides a watertight seal when mated. **See following pages for ordering information.**

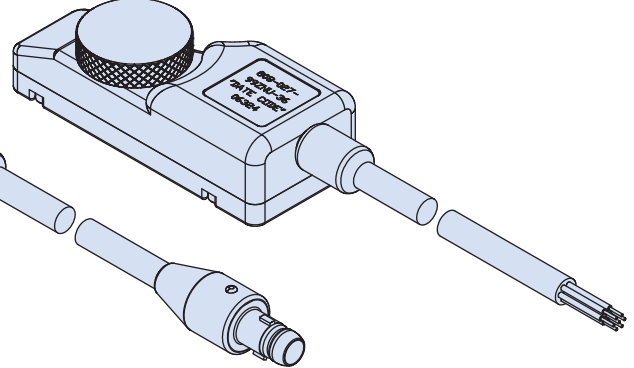
**808-027-06  
Un-Cabled**



**808-027-96  
Cabled**



**808-027-99  
Pigtail**



**Table I: Alternate Key Positions**

Pos.	A°	B°
A	150°	210°
B	75°	210°
C	95°	230°
D	140°	275°
E	75°	275°
F	95°	210°

**Table II: Radio Connector Type (Uncabled Versions Shown)**

<b>808-027</b> AN/PRC-148 Radio Connector	<b>808-028</b> AN/PRC-152 Radio Connector	<b>808-029</b> AN/PRC-152A Radio Connector	<b>808-030</b> AN/PRC-154 Radio Connector	<b>808-031</b> RF7800T Radio Connector

G

## NOTES

### Specifications

- 100% Electrical test for shorts, continuity, and insulation resistance at 200 megohms minimum.
- Unused cavities will be filled with dummy contacts and sealing plugs.
- Consult factory for additional finishes, custom wiring diagram, or custom connector.

### Material / finish:

- Housings & shells - al alloy / per part number development.
- Thumbscrew - SST / passivated with black powder-coated head
- Screws - SST / black oxide
- E-clip - SST / passivated
- Insulators - LCP, black / N.A.

- Housing gasket - silicone / N.A.
- Radio gasket - conductive fluorosilicone / N.A.
- Contacts - brass alloy / gold plated
- Mighty mouse connectors per 804-001 and 804-003 specifications.

Dimensions in Inches (millimeters) are subject to change without notice.



# AN/PRC-148 Un-Cabled Radio Connector with Mighty Mouse 804 Push/Pull Interface

## 808-027 - Ordering Information

### How To Order Uncabled Radio Connector

Sample Part Number	808-027	-01	ZNU	6-6	P	A	P
Series/Basic Number	Select Radio Connector Type from Table II						
Shell Style	01 = Receptacle    06 = Plug						
Finish Symbol	NF = Aluminum/Cadmium with Olive Drab Chromate    UF = Cadmium, Black UC = Zinc-Cobalt, Black    ZN = Zinc-Nickel, Olive Drab UCR = Zinc-Cobalt, Black (RoHS)    ZNU = Zinc-Nickel, Black (RoHS)						
Contact Arrangement	6-6, 6-7						
Contact Type	P = Pin S = Socket						
Key Position (See Table I)	A, B, C, D, E, F    Omit = None						
Protective Cover	P = Protective Rubber Cover    Omit = None						

### How To Order Cabled Radio Connector

Sample Part Number	808-027	-91	ZNU	6-6	P	A	P	36
Series/Basic Number	Select Radio Connector Type from Table II							
Shell Style	91 = Receptacle, Cabled    96 = Plug, Cabled							
Finish Symbol	NF = Aluminum/Cadmium with Olive Drab Chromate    UF = Cadmium, Black UC = Zinc-Cobalt, Black    ZN = Zinc-Nickel, Olive Drab UCR = Zinc-Cobalt, Black (RoHS)    ZNU = Zinc-Nickel, Black (RoHS)							
Contact Arrangement	6-6, 6-7							
Contact Type	P = Pin S = Socket							
Key Position (See Table I)	A, B, C, D, E, F    Omit = None							
Protective Cover	P = Protective Rubber Cover    Omit = None							
Cable Length	Overall Length In inches; i.e. 36 = 36 Inches							

### How To Order Pigtail Radio Connector

Sample Part Number	808-027	-99	ZNU	P
Series/Basic Number	Select Radio Connector Type from Table II			
Shell Style	99 = Pigtail			
Finish Symbol	NF = Aluminum/Cadmium with Olive Drab Chromate UC = Zinc-Cobalt, Black UCR = Zinc-Cobalt, Black (RoHS) UF = Cadmium, Black ZN = Zinc-Nickel, Olive Drab ZNU = Zinc-Nickel, Black (RoHS)			
Protective Cover	P = Protective Rubber Cover    Omit = None    (Omit for Pigtailed Shell Style)			

Dimensions in Inches (millimeters) are subject to change without notice.

# Glenair Mighty Mouse Series 804 Push/Pull USB 3.0 Flash Drive 808-001

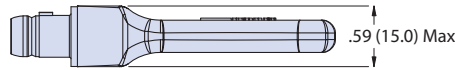
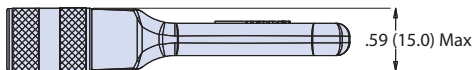
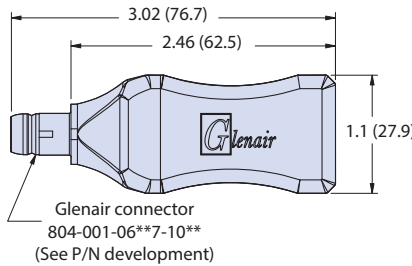
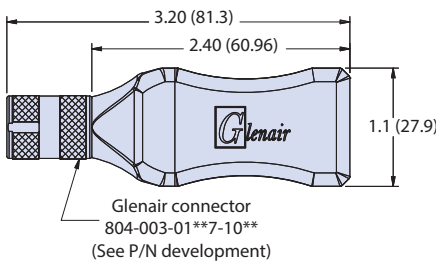


Series 804

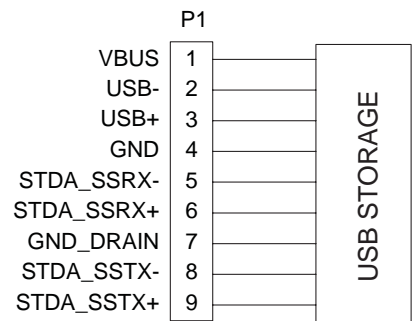
How To Order	
Sample Part Number	808-001 A ZNU A 32 R
Series/Basic Number	808-001 = 804 Push/Pull Style USB 3.0 Flash Drive
Connector Designator	A - Plug w/ pins    B - Plug w/ sockets C - Receptacle w/ pins    D - Receptacle w/ sockets
Finish Code	C = Aluminum / Black Anodize (Non-Conductive) RoHS Compliant M = Aluminum / Electroless Nickel RoHS Compliant NF = Aluminum / Cadmium with Olive Drab Chromate ZN = Aluminum / Zinc-Nickel with Olive Drab Chromate ZNU = Aluminum / Zinc-Nickel with Black Chromate MT = Aluminum / Nickel-PTFE RoHS Compliant Z1 = Stainless Steel / Passivated RoHS Compliant
Shell Key	A, B, C, or D; Omit for single Master Key
Storage Size	8, 16, 32, or 64
Protective Cover	P - Metal Cover    R - Rubber Cover Omit = no cover



Glenair Mighty Mouse Series 804 USB 3.0 flash drive featuring a push/pull 804 series ruggedized interface and available in 8GB, 16GB, 32GB, or 64GB storage capacities. Optional metal or rubber covers available. Flash drive complies with USB 2.0 standard and is backwards compatible.



### WIRING DIAGRAM



### NOTES:

#### USB flash memory specifications

- Storage capacity: 8GB, 16GB, 32GB, 64 GB (see p/n development)
- System requirements: Windows 2000, XP, Vista, Windows 7
- Compatibility: plug & play, USB 2.0 compliance
- Interface: USB 3.0, 1 X 9 pins

- Data transfer rates: up to 90 MB/Sec read, 16 MB/Sec write depending on host hardware, software & usage
- Password protection and AES encryption (only supported by Windows XP & Vista)

#### Materials and finishes

- Connector - various see 804-001 804-003 connector drawings

- Mold body - Polyurethane
- Lanyard - nylon rope\*
- \*Optional equipment (see P/N development)

#### Environmental parameters

- Operating temperature: -40°C to 85°C
- Storage temperature: -40°C to 85°C
- Humidity operating range: 10% to 70%

Dimensions in Inches (millimeters) are subject to change without notice.





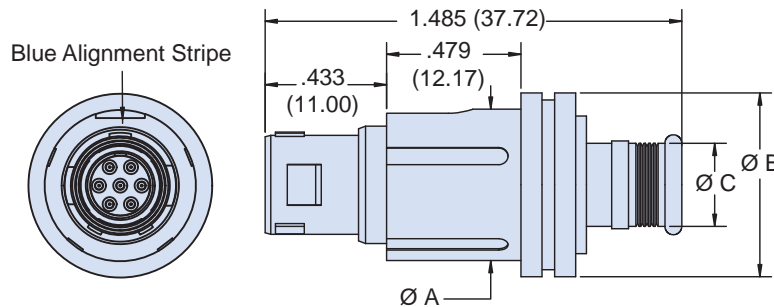
## Series 824 Locking Push-Pull Mighty Mouse Plug 824-001 and 824-003 Ordering Information



**Series 824 Locking Push/Pull Connector** mates and locks with a straight push. To de-mate connectors release locking mechanism by pulling back on release ring. Rugged locking mechanism withstands 50 pound (223 N) pull force. Aluminum shell, liquid crystal polymer insulators, gold-plated copper alloy contacts, copper alloy locking mechanism, fluorosilicone O-ring and wire seal. The Series 824 is ideal for sensors, chargers, vision systems and weaponry where accidental connector disengagement is not an option. Supplied with contacts packaged separately. Contacts are crimp type, snap-in, rear release. Series 824 connectors are compatible with standard Mighty Mouse tools and accessories.

### How To Order

Sample Part Number	824-001	-06	M	6-7	P	A
<b>Series</b>	824-001 = Locking Push-Pull plug with shield termination platform					
<b>Shell Style</b>	-06 = In-Line Cable Plug					
<b>Shell Material and Finish</b>	<b>ME</b> = Aluminum / Electroless Nickel; RoHS Compliant <b>MT</b> = Aluminum / Nickel-PTFE RoHS Compliant <b>C</b> = Aluminum / Electroless Nickel <b>NF</b> = Aluminum / Cadmium with Olive Drab Chromate <b>ZN</b> = Aluminum / Zinc-Nickel with Olive Drab over Electroless Nickel <b>ZNU</b> = Aluminum / Zinc-Nickel with Black over Electroless Nickel					
<b>Shell Size - Insert Arrangement</b>	See page G-3					
<b>Contact Type</b>	<b>Connector supplied with Crimp contacts</b> <b>P</b> = Pin <b>S</b> = Socket	<b>Connector supplied without contacts</b> <b>A</b> = Pin Connector, less contacts <b>B</b> = Socket Connector, less contacts	<b>Connector Supplied with 30 AWG Crimp Barrel</b> <b>G</b> = #23 Pin <b>H</b> = #23 Socket			
<b>Shell Key Positions (See Table I)</b>	<b>Omit</b> = Single Master Key <b>A</b> = Normal <b>B</b> = Pos. B <b>C</b> = Pos. C <b>D</b> = Pos. D <b>E</b> = Pos. E <b>F</b> = Pos. F					



G

#### Table I: Alternate Key Positions

Pos.	Size 5 - 8		Size 9 - 12	
	A°	B°	A°	B°
A	150°	210°	140°	220°
B	45°	210°	30°	220°
C	45°	230°	30°	250°
D	140°	315°	110°	330°
E	150°	315°	140°	330°

#### Dimensions

Shell Size	Ø A		Ø B		Ø C	
	in	mm	in	mm	in	mm
5	0.487	12.37	0.609	15.47	0.230	5.84
6	0.539	13.69	0.661	16.79	0.296	7.52
7	0.614	15.60	0.736	18.69	0.390	9.91
8	0.679	17.25	0.801	20.35	0.436	11.07
9	0.742	18.85	0.864	21.95	0.493	12.52
10	0.807	20.50	0.929	23.60	0.570	14.48
12	0.934	23.72	1.056	26.82	0.683	17.35

Dimensions in Inches (millimeters) are subject to change without notice.

# Series 824 Locking Push-Pull Mighty Mouse Receptacle 824-003 Dimensions



Series 824



**In-line**

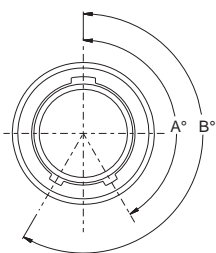
**Jam nut mount rear panel mount**

**Jam nut front panel mount**

How To Order						
<b>Sample Part Number</b>	<b>824-003</b>	<b>-01</b>	<b>M</b>	<b>6-7</b>	<b>P</b>	<b>A</b>
<b>Series (See Table I)</b>	824-003 = Locking Push-Pull Receptacle with band platform					
<b>Shell Style</b>	-01 = In-Line -07 = Rear Panel Mount Jam Nut -00 = Front Panel Mount Jam Nut					
<b>Shell Material and Finish</b>	ME = Aluminum / Electroless Nickel; RoHS Compliant MT = Aluminum / Nickel-PTFE RoHS Compliant C = Aluminum / Electroless Nickel NF = Aluminum / Cadmium with Olive Drab Chromate ZN = Aluminum / Zinc-Nickel with Olive Drab over Electroless Nickel ZNU = Aluminum / Zinc-Nickel with Black over Electroless Nickel					
<b>Shell Size - Insert Arrangement</b>	See page G-3					
<b>Contact Type</b>	<b>Connector supplied with Crimp contacts</b> P = Pin S = Socket	<b>Connector supplied without contacts</b> A = Pin Connector, less contacts B = Socket Connector, less contacts	<b>Connector Supplied with 30 AWG Crimp Barrel</b> G = Pin H = Socket			
<b>Shell Key Positions (See Table III)</b>	Omit = Single Master Key    A = Normal    B = Pos. B    C = Pos. C    D = Pos. D    E = Pos. E    F = Pos. F					

Dimensions														
Shell Size	Ø A		Ø B		Ø C		Ø D		E Thread	F Thread	G Flat		H Flat	
	in	mm	in	mm	in	mm	in	mm			in	mm	in	mm
5	0.548	13.92	0.868	22.05	0.868	22.05	0.316	8.03	9/16-28 UN	1/2-28 UNEF	0.534	13.56	0.470	11.94
6	0.600	15.24	0.868	22.05	0.868	22.05	0.390	9.91	9/16-28 UN	9/16-28 UN	0.534	13.56	0.530	13.46
7	0.696	17.68	1.039	26.39	1.039	26.39	0.473	12.01	11/16-28 UN	11/16-28 UN	0.655	16.64	0.663	16.84
8	0.760	19.30	1.097	27.86	1.039	26.39	0.560	14.22	3/4-28 UN	11/16-28 UN	0.721	18.31	0.663	16.84
9	0.822	20.88	1.116	28.35	1.097	27.86	0.586	14.88	13/16-28 UN	3/4-28 UN	0.788	20.02	0.720	18.29
10	0.893	22.68	1.231	31.27	1.160	29.46	0.688	17.48	7/8-28 UN	13/16-28 UN	0.846	21.49	0.788	20.02
12	0.974	24.74	1.359	34.52	1.347	34.21	0.805	20.45	1-28 UN	1-28 UN	0.968	24.59	0.970	24.64

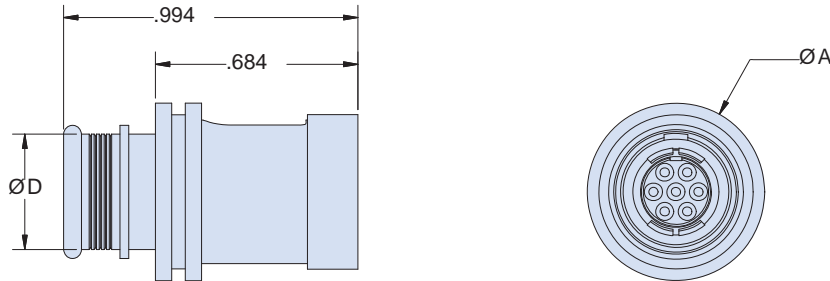
Table I: Alternate Key Positions				
Pos.	Size 5 - 8		Size 9 - 12	
	A°	B°	A°	B°
A	150°	210°	140°	220°
B	45°	210°	30°	220°
C	45°	230°	30°	250°
D	140°	315°	110°	330°
E	150°	315°	140°	330°



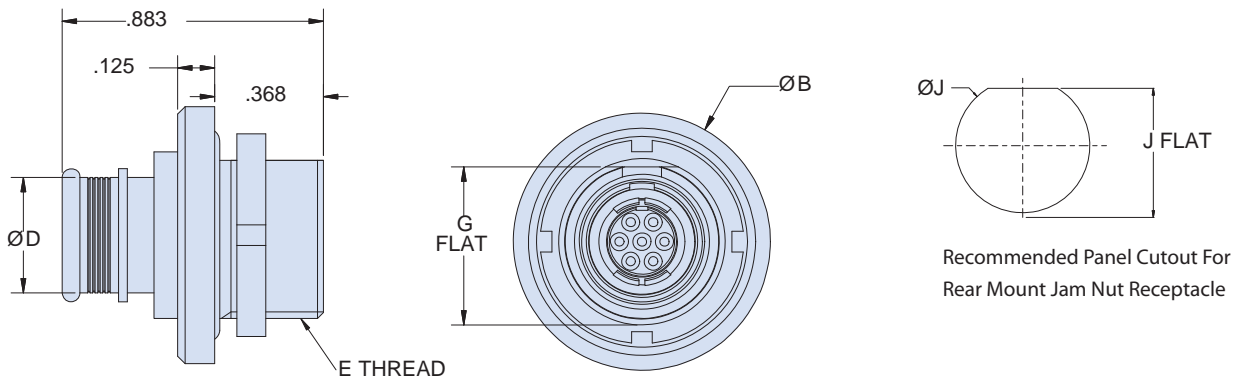
Panel Cutout Dimensions								
Shell Size	I Flat		Ø J		K Flat		Ø L	
	in	mm	in	mm	in	mm	in	mm
5	0.544	13.82	0.575	14.61	0.480	12.19	0.510	12.95
6	0.544	13.82	0.575	14.61	0.540	13.72	0.575	14.61
7	0.665	16.89	0.698	17.73	0.673	17.09	0.698	17.73
8	0.731	18.57	0.760	19.30	0.673	17.09	0.698	17.73
9	0.798	20.27	0.820	20.83	0.730	18.54	0.760	19.30
10	0.856	21.74	0.885	22.48	0.798	20.27	0.820	20.83
12	0.978	24.84	1.010	25.65	0.980	24.89	1.010	25.65

Dimensions in Inches (millimeters) are subject to change without notice.

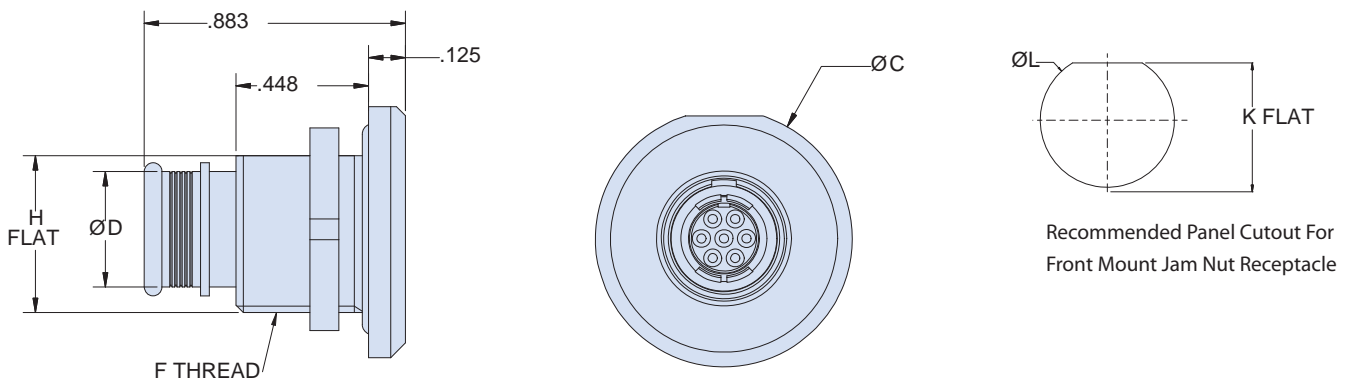
***In-line cable receptacle - shell style 01***



***Jam nut, rear panel mount receptacle - shell style 07***



***Jam nut, front panel mount receptacle - shell style 00***



Dimensions in Inches (millimeters) are subject to change without notice.



# Series 805 Mighty Mouse Triple-Start Threaded Coupling Table of Contents and Introduction



## PRODUCT SELECTION GUIDE

	<p><b>Series 805 Plugs</b> These connectors are supplied with a full complement of contacts for termination to insulated wire. Use with Band-Master™ ATS stainless steel bands (ordered separately), or select connectors with accessory threads for use with a variety of strain relief options.</p>	<b>Page H-8</b>
	<p><b>Series 805 Cobra™ Style Plugs</b> These connectors feature an integral backshell equipped with a removable rear cover and gasket providing an easy path to installing the supplied crimp contacts. Available in shell sizes 8 thru 23</p>	<b>Page H-10</b>
	<p><b>Series 805 Receptacles for Insulated Wire</b> Jam nut, square flange and in-line versions make it easy to find a style for every application. Use with Band-Master™ ATS stainless steel bands (ordered separately), or select connectors with accessory threads for use with a variety of strain relief options.</p>	<b>Page H-13</b>
	<p><b>Series 805 Standard, Watertight or Hermetic Receptacles</b> These panel mount connectors feature 304L stainless steel shells. Watertight versions meet MIL-STD 810 method 512G immersion Requirements. Hermetic versions incorporate fused vitreous glass insulators. Choose printed circuit terminals for attachment to flexible or rigid circuits, or choose solder cup contacts.</p>	<b>Page H-18</b>
	<p><b>Series 805 Mighty Mouse Jam Nut Mount PC Tail or Solder Cup</b> These rear panel mount connectors feature a .025 in standoff. Gold plated, factory-installed non-removable contacts. Copper alloy, gold plated contacts. Printed circuit terminals for attachment to flex circuits or rigid boards. Liquid crystal polymer insulator.</p>	<b>Page H-27</b>
	<p><b>Series 805 Right Angle Mighty Mouse Triple-Start</b> These rear panel mount right angle connectors feature gold plated, factory-installed non-removable contacts. Printed circuit terminals for attachment to flex circuits or rigid boards. Connector are potted with epoxy for general purpose applications.</p>	<b>Page H-29</b>
	<p><b>Series 805 CAT-MASTER™ Plug and In-line or PCB Receptacle</b> The 10Gigabit+ Ethernet CAT-MASTER™ connector is designed for optimum signal integrity and termination to Cat 5, Cat 6 and Cat 7 cable. CAT-MASTER™ offers improved signal integrity, reduced crosstalk, and enhanced attenuation performance.</p>	<b>Page H-33</b>
	<p><b>Series 805 Bulkhead Feedthru Receptacle Connector</b> Jam Nut mount, shell sizes 5 to 23. This connector mates with all triple-start threaded high density plug connectors with the same polarization and opposite contact genders. Copper alloy gold-plated contacts, pins to pin, pin to plug or plug to plug.</p>	<b>Page H-39</b>
	<p><b>Series 805 Sav-Con® Connector Savers</b> Protect expensive test equipment and cables with Glenair Sav-Con® connector savers. These plug/receptacle adapters feature non-removable contacts and a ratcheting coupling mechanism to prevent loosening under vibration.</p>	<b>Page H-41</b>
	<p><b>Series 805 Cordsets</b> Specify overmolded cordsets for optimum convenience and performance. Choose overbraided lightweight phantom cables for flexibility or polyurethane jackets for all-weather cable protection. Fully shielded, with watertight connector boot overmolding.</p>	<b>Page H-43</b>

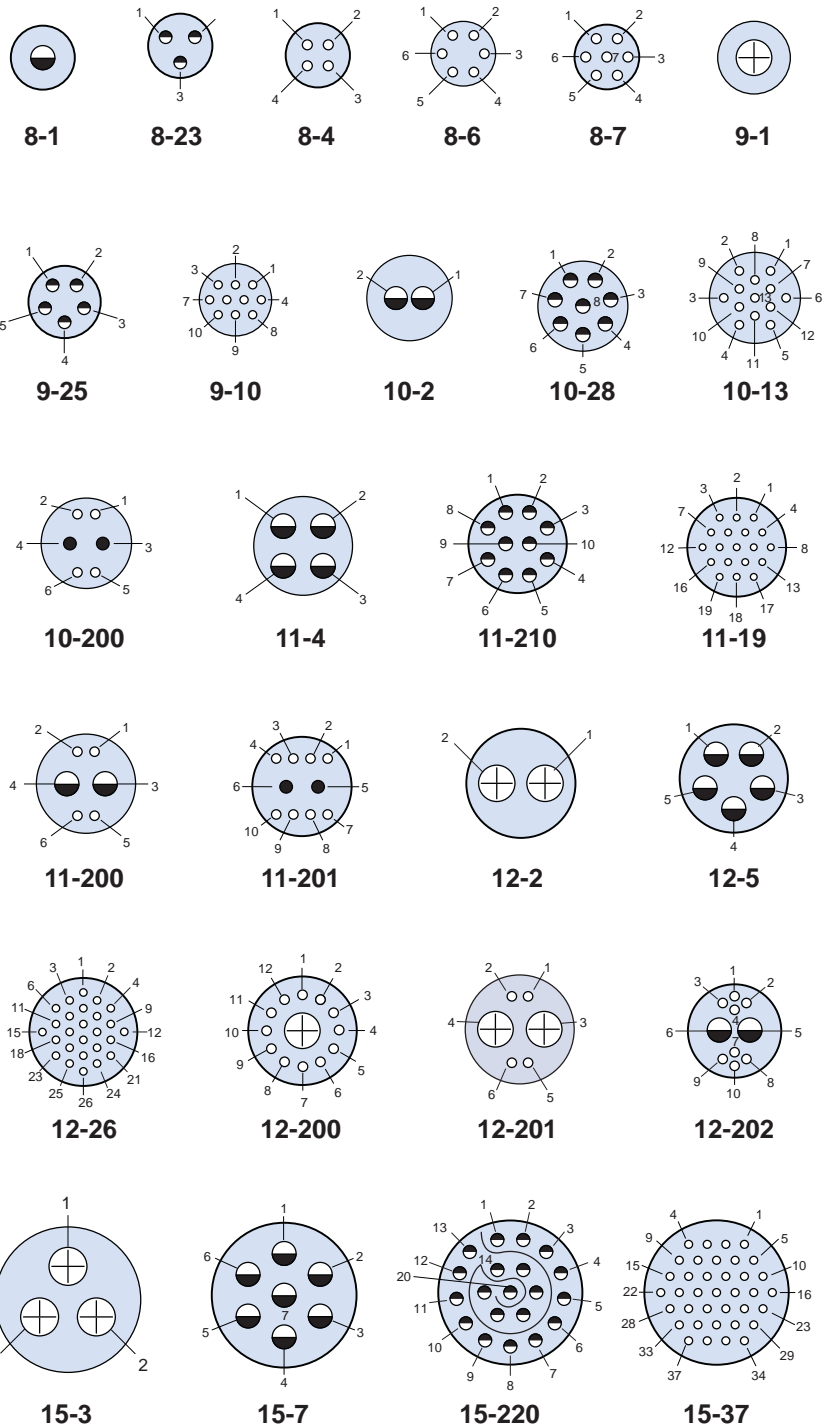
Dimensions in Inches (millimeters) are subject to change without notice.



# Series 805 Mighty Mouse Triple-Start Threaded Coupling Contact Arrangements

Contact Arrangements						
Contact Arr.	No. of Contacts					
	#23	#20	#20HD	#16	#12*	#8
8-1				1		
8-23			3			
8-4	4					
8-6	6					
8-7	7					
9-1					1	
9-25			5			
9-10	10					
10-2				2		
10-28			8			
10-13	13					
10-200	4	2				
11-4				4		
11-210			10			
11-19	19					
11-200	4			2		
11-201	8	2				
12-2					2	
12-5				5		
12-26	26					
12-200	12				1	
12-201	4				2	
12-202	8			2		
13-31	31					
15-2					2	
15-3					3	
15-7				7		
15-220			20			

## Mating Face View of Pin Connector (socket connector numbers are reversed)



\*All arrangements with #12 contacts available with keyed Twinax contacts. Use mode code -688

### Contact Legend

#23◦ #20HD◐ #20● #16◑ #12⊕

H

Dimensions in Inches (millimeters) are subject to change without notice.

# Series 805 Mighty Mouse Triple-Start Threaded Coupling Contact Arrangements



Series 805

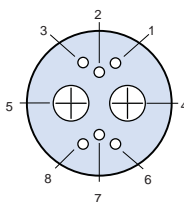
Contact Arr.	No. of Contacts					
	#23	#20	#20HD	#16	#12*	#8
15-37	37					
15-200	6				2	
15-201	10				2	
15-202	20			2		
15-203	12			4		
15-204	12				2	
15-205	4				4	
18-5					5	
18-12				12		
18-235			35			
18-55	55					
18-204	40			2		
18-205	32			4		
18-206	34			2		
18-207	20			4		
18-208	32					1
19-7					7	
19-14				14		
19-241			41			

\*All arrangements with #12 contacts available with keyed Twinax contacts. Use mode code -688

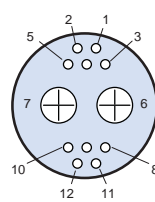
### Contact Legend

#23○ #20HD○ #20● #16● #12⊕

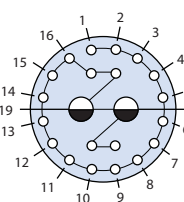
### Mating Face View of Pin Connector (socket connector numbers are reversed)



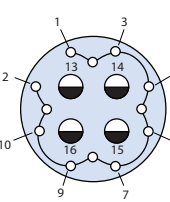
15-200



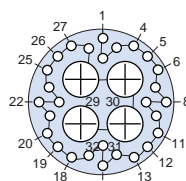
15-201



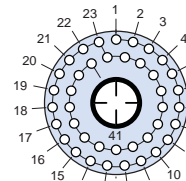
15-202



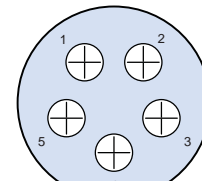
15-203



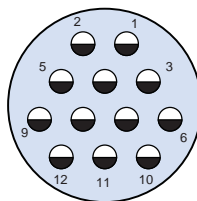
15-204



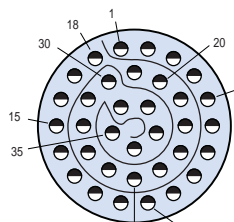
15-205



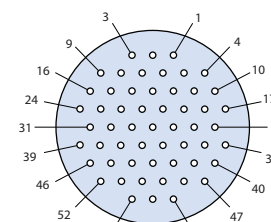
18-5



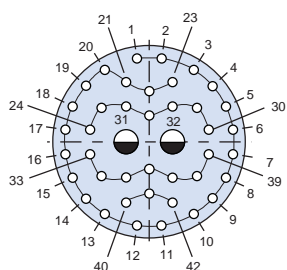
18-12



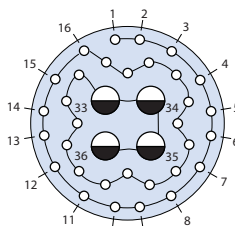
18-235



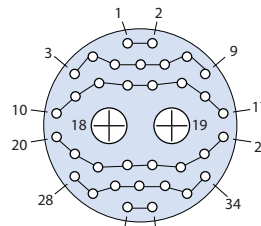
18-55



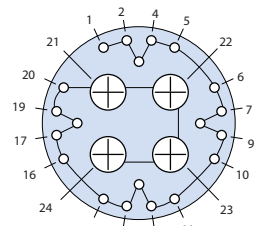
18-204



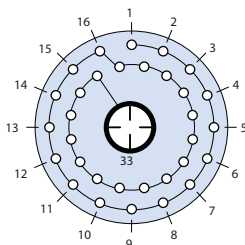
18-205



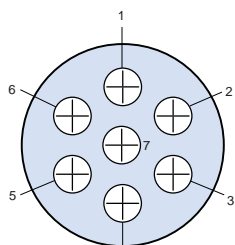
18-206



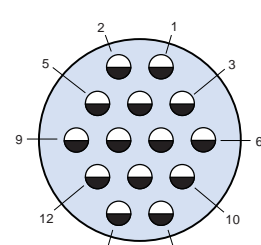
18-207



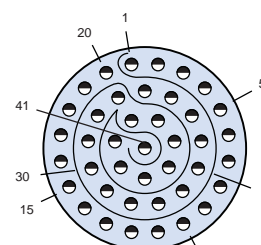
18-208



19-7



19-14



19-241

Dimensions in Inches (millimeters) are subject to change without notice.

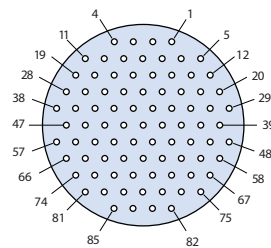




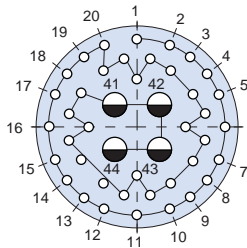
# Series 805 Mighty Mouse Triple-Start Threaded Coupling Contact Arrangements

Contact Arrangements						
Contact Arr.	No. of Contacts					
	#23	#20	#20HD	#16	#12*	#8
19-85	85					
19-203	40			4		
19-204	28				4	
19-205						
21-19				19		
21-255			55			
21-100	100					
21-201	44					2
21-202	12					4
23-12					12	
23-22				22		
23-269			69			
23-130	130					
23-200	28					4

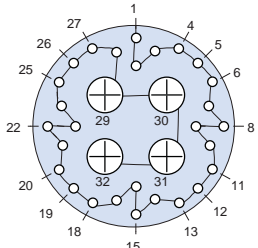
## Mating Face View of Pin Connector (socket connector numbers are reversed)



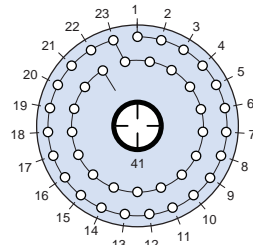
19-85



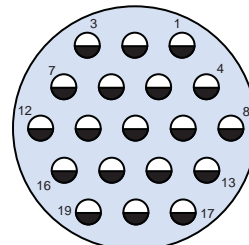
19-203



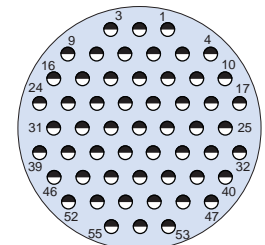
19-204



19-205



21-19

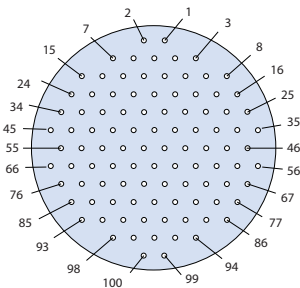


21-255

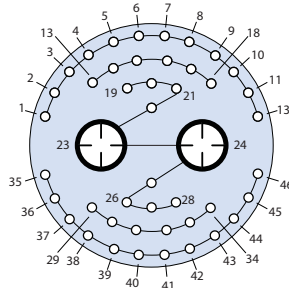
\*All arrangements with #12 contacts available with keyed Twinax contacts. Use mode code -688

### Contact Legend

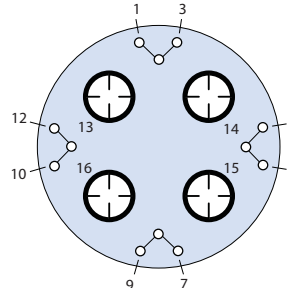
#23° #20HD° #20● #16⊖ #12⊕



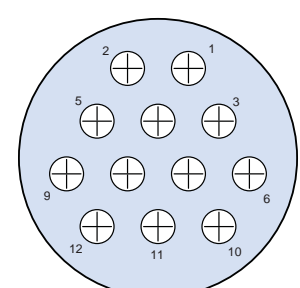
21-100



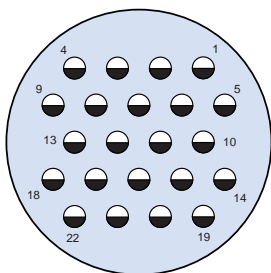
21-201



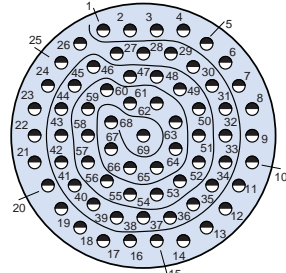
21-202



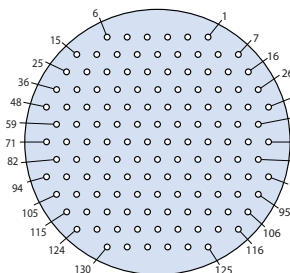
23-12



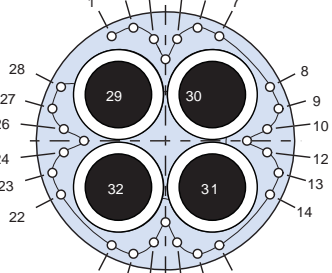
23-22



23-269



23-130



21-200

Dimensions in Inches (millimeters) are subject to change without notice.

# Series 805 Mighty Mouse Triple-Start

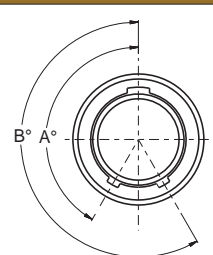
## Jam Nut Receptacle Panel Cutout Dimensions, Key Positions and Weight and Size Comparisons and Connector Weights



Series 805

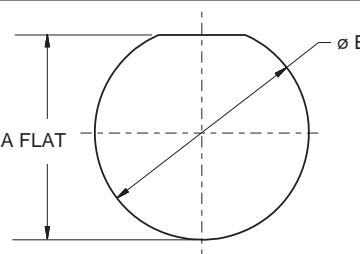
Size Comparison: Series 805 Versus D38999 Series III													
Layout	Number of Contacts	D38999 Layout	Number of Contacts	Maximum Plug Diameter					Maximum Jam Nut Receptacle Diameter				
				Series 805		D38999		% Reduction	Series 805		D38999		% Reduction
				In.	mm.	In.	mm.		In.	mm.	In.	mm.	
8-7	7 #23	9-35	6 #20	.707	17.96	.859	21.81	17%	.775	19.69	1.201	30.51	35%
10-13	13 #23	11-35	13 #22D	.804	20.42	.969	24.61	18%	.895	22.73	1.386	30.50	35%
11-19	19 #23	13-35	19 #22D	.933	23.70	1.141	28.98	20%	.960	24.38	1.512	38.40	36%
12-26	26 #23	17-26	26 #20	.999	25.37	1.391	35.33	29%	1.075	27.31	1.764	44.81	39%
15-37	37 #23	15-35	37 #22D	1.113	28.27	1.266	32.16	13%	1.218	30.86	1.638	41.61	26%
18-55	55 #23	17-35	55 #22D	1.308	33.22	1.391	35.33	7%	1.404	35.66	1.764	44.81	20%
19-85	85 #23	21-35	85 #22D	1.328	33.73	1.625	41.27	19%	1.465	37.21	2.075	52.71	29%
23-130	130 #23	25-35	128 #22D	1.577	40.06	1.875	47.63	16%	1.720	43.69	2.323	59.00	26%

Series 805 Key Positions		
Key Position	Key Rotation	
	A	B
Normal (A)	150°	210°
B	75°	210°
C	95°	230°
D	140°	275°
E	75°	275°
F	95°	210°



Series 805 Connector Weight In Grams					
Contact Arr.	Cable Plug	J/N Recept Crimp	J/N Recept PCB	Sq. Flange Recept Crimp	Sq. Flange Recept PCB
8-23P	7.5	5.8	5.7	5.8	4.6
8-23S	8	6.4	6.2	6.4	5.1
8-4P	8.3	6.6	6.5	6.6	5.4
8-4S	8.8	7.2	7.0	7.2	5.9
8-6P	8.4	6.7	6.8	5.5	5.7
8-6S	8.9	7.3	7.3	5.9	6.2
8-7P	7.3	5.6	5.5	5.6	4.4
8-7S	7.7	6.1	5.9	6.1	4.8
9-1P	10.9	9.0	9.0	6.8	7.7
9-1S	11.4	9.6	9.6	7.4	8.3
9-25P	10.8	8.9	8.8	6.7	7.6
9-25S	11.3	9.6	9.4	7.4	8.1
9-10P	10.7	8.8	8.8	6.6	7.5
9-10S	11.6	9.7	9.7	7.5	8.4
10-2P	13.3	10.2	10.3	8.9	9.4
10-2S	14.1	11.0	11.1	9.7	10.1
10-28P	15.2	10.4	10.9	9.1	10
10-28S	16.4	11.5	11.7	10.2	10.7
10-13P	12.7	9.6	9.7	8.3	8.7
10-13S	13.4	10.3	10.5	9.0	9.5
10-200P	13.9	10.8	10.9	9.5	9.9
10-200S	14.7	11.7	11.8	10.3	10.8
11-4P	15.4	12.1	13.1	10.3	11.3
11-4S	16.4	13.1	14.1	11.3	12.3
11-210P	15.2	11.9	12.6	10.1	10.8
11-210S	16.4	13.1	13.8	11.3	12
11-19P	14.3	11.0	12.0	9.2	10.2
11-19S	15.4	12.1	13.1	10.3	11.3
11-200P	14.9	11.6	12.5	9.8	10.8
11-200S	16.0	12.7	13.6	10.9	11.9
11-201P	14.5	11.3	11.6	9.5	9.8
11-201S	15	12.4	12.7	10.6	10.9
12-2P	17.4	13.6	15.4	11.9	12.2
12-2S	18.7	14.9	16.9	13.2	13.7
12-5P	17.6	13.9	16.3	12.2	13.1
12-5S	19.0	15.3	17.7	13.6	14.5

Panel Cutout For Jam Nut Receptacle				
Shell Size	A Flat		Ø B	
	In.	mm.	In.	mm.
	± .002	± 0.05	± .005	± 0.13
8	.545	13.84	.572	14.53
9	.671	17.04	.698	17.73
10	.671	17.04	.698	17.73
11	.731	18.57	.760	19.30
12	.794	20.17	.822	20.88
13	.851	21.62	.883	22.43
15	.980	24.89	1.010	25.65
18	1.157	29.39	1.198	30.43
19	1.231	31.27	1.260	32.00
21	1.358	34.49	1.383	35.13
23	1.480	37.59	1.510	38.35



Dimensions in Inches (millimeters) are subject to change without notice.





## Series 805 Mighty Mouse Triple-Start Connector Weights

Series 805 Connector Weight In Grams					
Contact Arr.	Cable Plug	J/N Recep Crimp	J/N Recep PCB	Sq. Flange Recep Crimp	Sq. Flange Recep PCB
12-26P	15.8	12.1	14.5	10.5	11.3
12-26S	17.4	13.6	16.1	12.0	12.9
12-200P	16.5	12.8	15.2	11.1	12.0
12-200S	17.9	14.2	16.6	12.5	13.4
12-201P	16.6	12.9	15.3	11.2	12.1
12-201S	18.0	14.3	16.7	12.7	13.5
12-202P	16.6	12.9	15.3	11.2	12.1
12-202S	18.2	14.4	16.8	12.8	13.6
13-31P	19.5	15.7	19.1	12.8	15.9
13-31S	21.8	18	20.8	14.4	17.6
15-2P	20.7	20.2	21.8	17.1	19.5
15-2S	22.3	21.9	23.4	18.7	21.1
15-3P	21.7	21.2	22.8	18.0	20.5
15-3S	23.4	23.0	24.5	19.8	22.2
15-7P	21.9	21.5	23.0	18.3	20.7
15-7S	24.5	24.1	25.6	20.9	23.3
15-220P	20.8	21	24.1	18.2	21.8
15-220S	23.8	23.4	25.9	21.3	23.6
15-37P	20.1	19.7	21.2	16.5	18.9
15-37S	23.0	22.6	24.1	19.4	21.8
15-200P	20.4	19.9	21.5	16.7	19.1
15-200S	22.6	22.1	23.7	18.9	21.3
15-201P	20.7	20.2	21.8	17.1	19.5
15-201S	23.0	22.6	24.1	19.4	21.8
15-202P	20.8	20.3	22.4	17.2	20.9
15-202S	22.7	22.3	23.8	19.1	22.4
15-203P	21.1	20.6	23.7	17.5	21.4
15-203S	23	22.6	25.1	19.4	22.8
18-12P	30.7	32.3	30.9	36.8	29.8
18-12S	34.3	36.0	34.5	30.5	33.4
18-235P	29	31.9	32	26.4	31
18-235S	32.7	35.9	35.1	30.4	34
18-55P	27.3	28.9	27.5	23.4	26.4
18-55S	30.7	32.3	30.9	26.8	29.8
18-204P	29	30.6	30	25.1	28.9
18-204S	33	34.7	32.5	29.2	31.4
18-205P	29.3	30.9	30.5	25.4	29.4
18-205S	33.3	35	31.6	29.5	31.8

Series 805 Connector Weight In Grams					
Contact Arr.	Cable Plug	J/N Recep Crimp	J/N Recep PCB	Sq. Flange Recep Crimp	Sq. Flange Recep PCB
18-206P	29.5	31.1	30.6	25.6	29.5
18-206S	33.4	35.1	33.2	29.6	32.1
18-207P	30.3	31.9	31.5	26.4	30.4
18-207S	34.2	35.9	34.4	30.4	33.3
19-7P	27.9	30.0	33.1	25.1	33.0
19-7S	31.0	33.1	36.2	28.2	36.1
19-14P	32.9	35.0	38.1	30.0	38.0
19-14S	32.6	34.7	37.7	29.7	37.6
19-241P	32.8	29.5	33.6	29.9	33.5
19-241S	33.6	33.9	36.7	30.7	36.6
19-85P	26.6	28.7	31.8	23.8	31.7
19-85S	31.1	33.2	36.3	28.3	36.2
19-203P	25.8	27.9	31.6	23	30.5
19-203S	29.4	31.6	34	26.7	32.9
19-204P	26.4	28.5	32.6	23.6	40.2
19-204S	30.3	32.5	35.5	27.6	43.1
21-19P	46	46.9	42.1	32.3	42
21-19S	46.7	47.7	45.4	39.4	45.2
21-100P	43.7	44.6	41.5	35.5	36.8
21-100S	45.7	46.6	44.6	44.3	39.1
21-255P	45.8	46.7	41.8	37.6	37.1
21-255S	48	48.8	46	46.6	40.5
21-201P	48.4	49.3	42.2	40.2	37.5
21-201S	52.6	53.5	49.4	51.2	43.9
21-202P	54	54.9	46.2	45.8	41.5
21-202S	61	61.9	57.5	59.6	52.02
23-5P	49	51.7	48.3	45.5	47.8
23-5S	61.8	54.6	62.3	58.4	61.8
23-12P	40.2	42.9	44.4	36.7	43.9
23-12S	45.2	48.0	49.5	41.8	49.0
23-22P	42.7	45.4	47.0	39.3	46.4
23-22S	49.6	52.4	53.9	46.2	53.4
23-269P	39.3	43	44.9	35.8	44.4
23-269S	46.4	50.3	50	43	49.5
23-130P	37.8	40.6	42.1	34.4	41.6
23-130S	44.9	47.7	49.3	41.6	48.7
23-200P	46.6	49.3	47.9	43.1	47.4
23-200S	58.3	51.1	59.9	54.9	58.9

Maximum connector weight in grams.

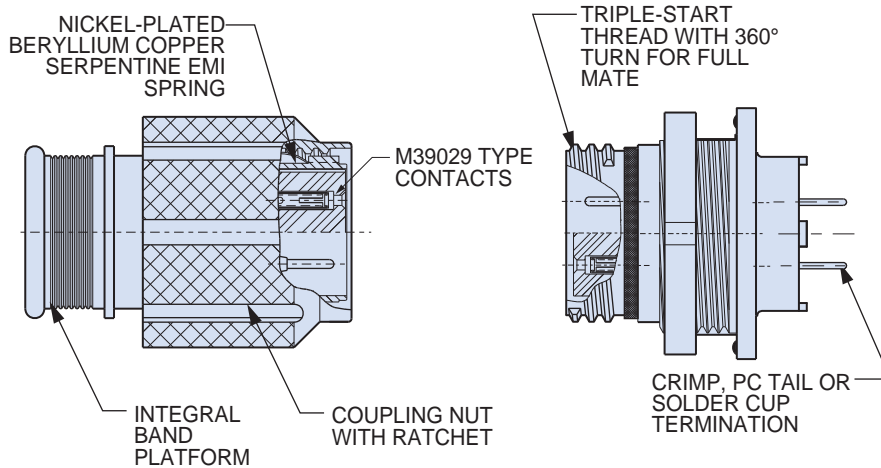
H

Dimensions in Inches (millimeters) are subject to change without notice.

# Series 805 Mighty Mouse Triple-Start Threaded Coupling General Information



Series 805



### Outstanding EMI Shielding

Nickel-plated beryllium copper ground spring and metal-to-metal bottoming for excellent EMI performance.

### Triple-Start Coupling

Rugged ACME threads resist cross-threading and allow fast mating.

### Environmentally Sealed

Meets MIL-STD-810 Method 512 immersion.

### Ratchet Mechanism

Ratcheting anti-decoupling mechanism prevents coupling nut backoff when subjected to vibration.

## Glenair's Series 805 Connector Offers Outstanding EMI Protection and Vibration Resistance in a Miniaturized Package

The Series 805 connector was developed to provide several performance enhancements compared to other "Mighty Mouse" versions. A ratchet mechanism in the coupling nut prevents de-mating under severe vibration. EMI performance is improved with a serpentine ground spring on the plug barrel. This nickel plated beryllium copper spring assures low shell-to-shell resistance. The Series 805, although larger than other Series 80 versions, saves size and weight compared to MIL-DTL-38999 connectors with no compromise in performance.



Specifications	
Current Rating	#23-5 A, #20HD-7.5 A, #16-13 A, #12-23 A
Dielectric Withstanding Voltage	#23-750 VAC, #20HD-1000 VAC #12 and #16-1800 VAC
Insulation Resistance	5000 megohms minimum
Operating Temperature	-65° C. to +175° C.
Shock	300 g.
Vibration	37 g.
Shielding Effectiveness	55 dB minimum low frequency from 100MHz to 1000MHz. and 65 dB minimum high frequency from 1 GHz to 10GHz.
Magnetic Permeability	2.0 μ maximum
Durability	2000 mating cycles

Materials and Finishes	
Shells, Jam Nuts	Aluminum alloy or stainless steel
Contacts	Copper alloy, 50 μlnc gold plated
Insulators	Liquid crystal polymer (LCP)
Contact Retention Clip	Beryllium copper alloy
Seal, O-rings, Grommet	Fluorosilicone rubber
Spring	Nickel-plated beryllium copper
See Series 80 General Information for complete material and finish specs.	

Dimensions in Inches (millimeters) are subject to change without notice.



# Series 805 Mighty Mouse Triple-Start ACME Thread Plug 805-001 and 805-002 Ordering Information



**Two Shell Styles:** Integral platform for direct shield attachment using Band-Master™ ATS termination system, or accessory thread for attaching a strain relief.

**EMI Ground Spring** Achieves low shell-to-shell resistance. This nickel-plated beryllium copper spring enables the Series 805 to meet greater than 60 dB shielding effectiveness from 100 MHz to 15 GHz.

**Ratchet Design for Secure Coupling** Series 805 connectors feature a spring mechanism in the coupling nut that locks into radial teeth on the plug barrel. This feature allows the Series 805 to stay mated even when under high vibration, without the need for safety wire or torque tools.

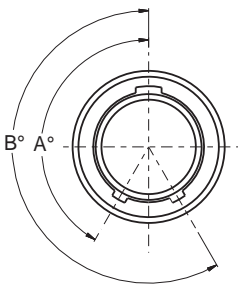
How To Order						
Sample Part Number	805-001	-16	M	8-4	P	A
Series (See Table I)	805-001 = Plug with Banding Platform 805-002 = Plug with Accessory Thread					
Shell Style	-16 = Plug Connector with Ratcheting Anti-Decoupling Mechanism					
Shell Material and Finish	C = Aluminum / Black Anodize (Non-Conductive); RoHS Compliant M = Aluminum / Electroless Nickel; RoHS Compliant MT = Aluminum / Nickel-PTFE RoHS Compliant NF = Aluminum / Cadmium with Olive Drab Chromate ZN = Aluminum / Zinc-Nickel with Olive Drab Chromate ZNU = Aluminum / Zinc-Nickel with Black Chromate Z1 = Stainless Steel / Passivated; RoHS Compliant					
Shell Size - Insert Arrangement	See Contact Arrangements Page H-2					
Contact Type	<b>Connector supplied with contacts</b> P = Pin S = Socket Connector with contacts are supplied with signal and/or power crimp contacts. These contacts are not installed. Coaxial contacts and non-standard signal contacts are ordered separately.		<b>Connector supplied without contacts</b> A = Pin Connector, less contacts B = Socket Connector, less contacts			
Shell Key Positions (See Table II)	A = Normal B = Pos. B C = Pos. C D = Pos. D E = Pos. E F = Pos. F					

Table I: Series

<b>805-001</b> Plug with Banding Platform	<b>805-002</b> Plug with Accessory Thread

Table II: Key Positions

Key Position	Key Rotation	
	A	B
Normal (A)	150°	210°
B	75°	210°
C	95°	230°
D	140°	275°
E	75°	275°
F	95°	210°



Dimensions in Inches (millimeters) are subject to change without notice.

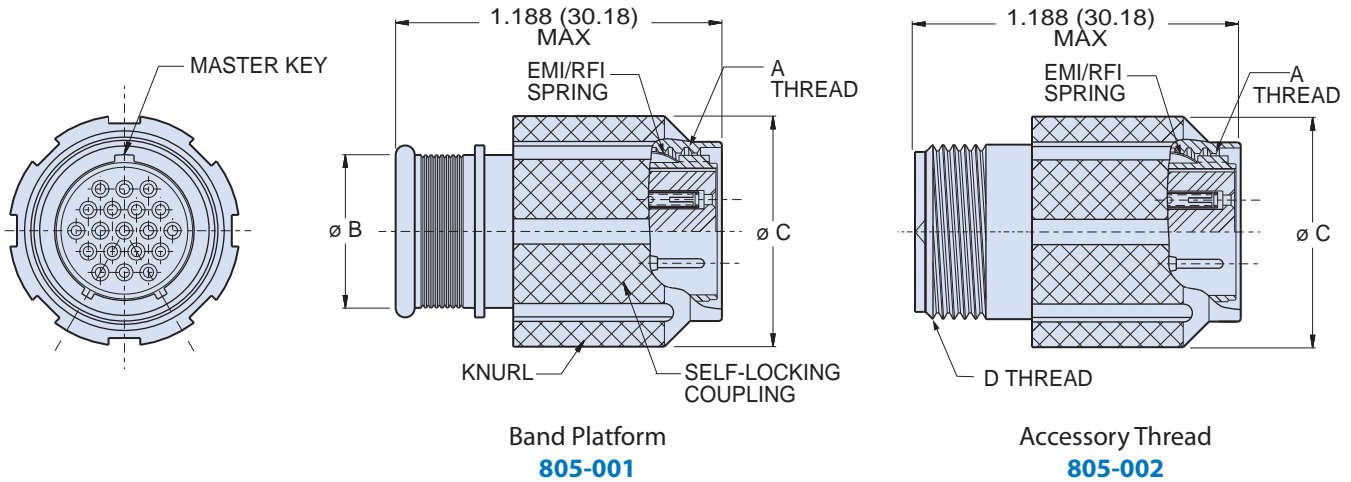


**Series 805 Mighty Mouse  
Triple-Start ACME Thread Plug  
805-001 and 805-002 Shell Style -16 Dimensions**



Series 805

**Plug connector**



Dimensions						
Shell Size	A Thread	ø B		ø C		D Thread Accessory
		In.	mm.	In.	mm.	
8	.5000-.1P-.3L-TS-2B	.317	8.05	.692	17.55	.3750-32 UNEF-2A
9	.5625-.1P-.3L-TS-2B	.397	10.08	.789	19.99	.4375-28 UNEF-2A
10	.6250-.1P-.3L-TS-2B	.473	12.01	.827	20.98	.5000-28 UNEF-2A
11	.6875-.1P-.3L-TS-2B	.519	13.18	.918	23.27	.5625-24 UNEF-2A
12	.7500-.1P-.3L-TS-2B	.585	14.86	.984	24.94	.6250-24 UNEF-2A
13	.8125-.1P-.3L-TS-2B	.646	16.41	1.047	25.59	.6875-24 UNEF-2A
15	.9375-.1P-.3L-TS-2B	.687	17.45	1.098	27.86	.7500-20 UNEF-2A
18	1.1250-.1P-.3L-TS-2B	.884	22.45	1.287	32.77	.9375-20 UNEF-2A
19	1.1875-.1P-.3L-TS-2B	.884	22.45	1.311	33.27	.9375-20 UNEF-2A
21	1.3125-.1P-.3L-TS-2B	1.003	25.48	1.448	36.78	1.0625-18 UNEF-2A
23	1.4375-.1P-.3L-TS-2B	1.135	28.83	1.562	39.67	1.1875-18 UNEF-2A

**NOTES**

*Materials and Finishes*

- Connector Shell: Aluminum or Stainless Steel
- Insulator: Liquid Crystal Polymer (LCP)
- Seals: Fluorosilicone Rubber, Blue
- Pin Contact: Copper Alloy, Gold over Nickel Plating
- Socket Contact: Copper Alloy, Gold over Nickel Plating, with SST Hood
- Contact Retainer Clip: Beryllium Copper, Unplated

Dimensions in Inches (millimeters) are subject to change without notice.



# Series 805 Mighty Mouse Cobra™ Plug with Integral Cobra™ Backshell

## 805-061 Ordering Information



### Series 805 Mighty Mouse Cobra™

Integral Cobra™ style ultra-low profile right angle shielded backshell reduces clearance requirements without compromising ruggedness, environmental protection or shielding performance. Removable rear cover allows easy access for soldering wires or inserting crimped wire contacts. Cover gasket prevents moisture intrusion. Aluminum or stainless steel shell and coupling nut, gold-plated copper alloy contacts, fluorosilicone seals. Terminate cable shield to backshell with Band-Master strap. Band platform has groove for lipped heatshrink boots. Crimp version features snap-in rear release contacts supplied unassembled. Solder cup version has factory installed, epoxy potted non-removable contacts.

Available with size #23 contacts only.

#### How To Order

Sample Part Number	805-061-16	Z1	8-6	P	A	1	05
Series and Shell Style	805-061-16 = Triple-Start Plug with Ratcheting Anti-Decoupling Mechanism						
Shell Material and Finish	<b>M</b> = Aluminum / Electroless Nickel; RoHS Compliant <b>MT</b> = Aluminum / Nickel-PTFE RoHS Compliant <b>NF</b> = Aluminum / Cadmium with Olive Drab Chromate <b>ZNU</b> = Aluminum / Zinc-Nickel with Black Chromate <b>Z1</b> = Stainless Steel / Passivated; RoHS Compliant						
Shell Size - Insert Arrangement	8-4, 8-6, 8-7, 9-10, 10-13, 11-19, 12-26, 13-31, 15-37, 18-55, 19-85, 21-100, 23-130						
Contact Type	P = Pin, Crimp S = Socket, Crimp		A = Pin, Solder B = Socket, Solder				
Shell Key Positions (See Table I)	A = Normal B = Pos. B C = Pos. C D = Pos. D E = Pos. E F = Pos. F						
Cable Exit Direction (See Table III)	1 through 8						
Cable Entry Size (See Table III)	02, 03, 04, 05, 06, 07, 08, 09, 10, 11, 12, 13, 14, 15, 16, 17						

Table I: Key Positions

Key Position	Key Rotation	
	A	B
Normal (A)	150°	210°
B	75°	210°
C	95°	230°
D	140°	275°
E	75°	275°
F	95°	210°

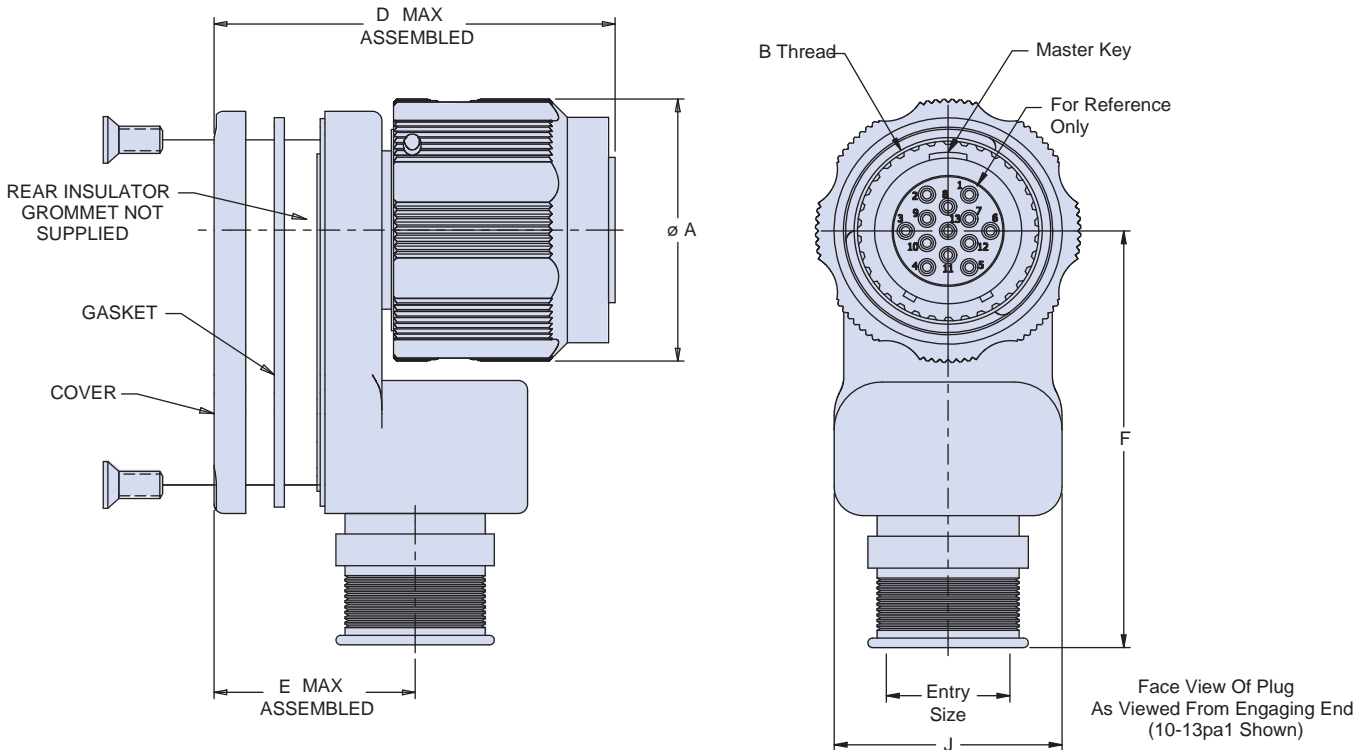
Dimensions in Inches (millimeters) are subject to change without notice.

**Series 805 Mighty Mouse Cobra™  
Plug with Integral Cobra™ Backshell  
805-061 Dimensions**



Series 805

**Plug with ratcheting anti-decoupling mechanism**



Dimensions									
Shell Size	$\varnothing A$	B Thread	D	E	F	G	H	J	Max Entry
8	.65 (15.7)	.5000-.1P-.3L-TS-2B	1.02 (25.9)	.34 (8.6)	1.24 (31.5)	1.76 (44.7)	1.62 (41.1)	.560 (14.22)	04
9	.79 (20.1)	.5625-.1P-.3L-TS-2B	1.03 (26.2)	.39 (9.9)	1.28 (32.5)	1.77 (45.0)	1.63 (41.4)	.650 (16.51)	05
10	.83 (21.1)	.6250-.1P-.3L-TS-2B	1.05 (26.7)	.42 (10.7)	1.31 (33.3)	1.79 (45.5)	1.65 (41.9)	.710 (18.03)	06
11	.92 (23.4)	.6875-.1P-.3L-TS-2B	1.08 (27.4)	.45 (11.4)	1.34 (34.0)	1.82 (46.2)	1.68 (42.7)	.770 (19.56)	07
12	.98 (24.9)	.7500-.1P-.3L-TS-2B	1.11 (28.2)	.48 (12.2)	1.37 (34.8)	1.85 (47.0)	1.71 (43.4)	.835 (21.21)	08
13	1.05 (26.7)	.8125-.1P-.3L-TS-2B	1.14 (29.0)	.50 (12.7)	1.43(36.3)	1.88 (47.8)	1.74 (44.2)	.900(22.86)	09
15	1.10 (27.9)	.9375-.1P-.3L-TS-2B	1.17 (29.7)	.52 (13.2)	1.48 (37.6)	1.91 (48.5)	1.77 (45.0)	.950 (24.13)	10
18	1.29 (32.8)	1.1250-.1P-.3L-TS-2B	1.25 (31.8)	.58 (14.7)	1.64 (41.7)	1.99 (50.5)	1.85 (47.0)	1.070 (27.18)	12
19	1.31 (33.3)	1.1875-.1P-.3L-TS-2B	1.32 (33.5)	.63 (16.0)	1.78 (45.2)	2.06 (52.3)	1.92 (48.8)	1.180 (29.97)	13
21	1.45 (36.8)	1.3125-.1P-.3L-TS-2B	1.44 (36.6)	.70 (17.8)	1.89 (48.0)	2.18 (55.4)	2.04 (51.8)	1.300 (33.02)	15
23	1.56 (39.6)	1.4375-.1P-.3L-TS-2B	1.55 (39.4)	.76 (19.3)	1.98 (50.3)	2.30 (58.4)	2.16 (54.9)	1.410 (35.81)	17

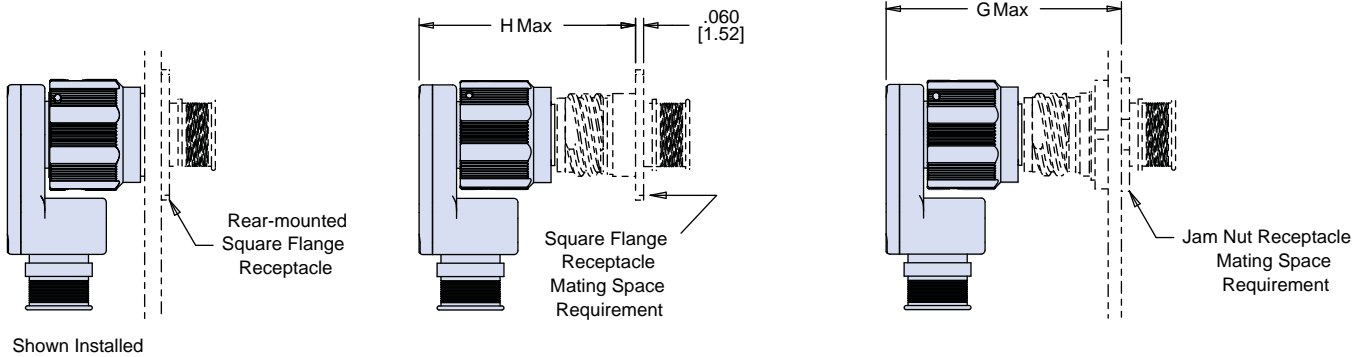
Dimensions in Inches (millimeters) are subject to change without notice.





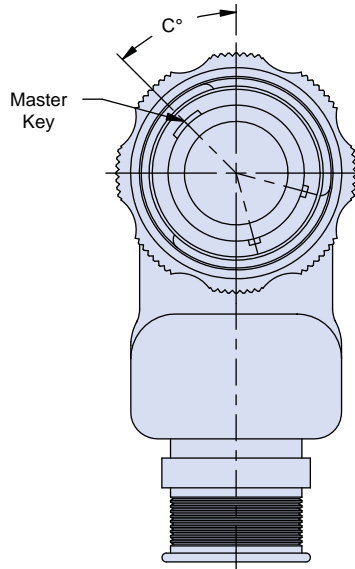
**Series 805 Mighty Mouse Cobra™  
Triple-Start ACME Thread Low Profile Plug  
805-061 Dimensions**

**Plug with ratcheting anti-decoupling mechanism**



Shown Installed

Cable Exit Direction	
Direction	C°
1	0°
2	45°
3	90°
4	135°
5	180°
6	225°
7	270°
8	315°



Cable Exit Direction  
(Direction 2 Shown)

Cable Entry Size	
Code	Entry Size
02	0.125
03	0.188
04	0.250
05	0.313
06	0.375
07	0.438
08	0.500
09	0.563
10	0.625
11	0.688
12	0.750
13	0.813
14	0.875
15	0.938
16	1.000
17	1.063

Dimensions in Inches (millimeters) are subject to change without notice.

# Series 805 Mighty Mouse Triple-Start ACME Thread Receptacle 805-003 and 805-004 Ordering Information



Series 805



**Three Shell Mounting Options:** Jam nut with O-ring for rear panel mounting, square flange for front or rear panel mounting, or in-line receptacles for free-hanging cables.

Two Shell Styles: Choose integral band platform for direct attachment of a cable shield. Install a boot, or overmold a boot over the band platform. An accessory thread is available for attaching strain reliefs and backshells.

Gold-Plated Crimp Contacts are held in place with beryllium copper retention clips. Contacts are removable.

How To Order						
Sample Part Number	805-004	-02	NF	9-10	P	A
Series (See Table I)	<b>805-003</b> = Receptacle with Banding Platform <b>805-004</b> = Receptacle with Accessory Thread					
Shell Style (See Table II)	<b>-01</b> = In-line <b>-02</b> = Square Flange Front or Rear Mount <b>-12</b> = Square Flange Rear Mount Non-Locking Clinch Nuts <b>-22</b> = Square Flange Rear Mount Locking Clinch Nuts <b>-07</b> = Jam Nut for Rear Panel Mounting					
Shell Material and Finish	<b>C</b> = Aluminum / Black Anodize (Non-Conductive); RoHS Compliant <b>M</b> = Aluminum / Electroless Nickel; RoHS Compliant <b>MT</b> = Aluminum / Nickel-PTFE RoHS Compliant <b>NF</b> = Aluminum / Cadmium with Olive Drab Chromate <b>ZNU</b> = Aluminum / Zinc-Nickel with Black Chromate <b>Z1</b> = Stainless Steel / Passivated; RoHS Compliant <b>ZB</b> = Stainless Steel / Olive Drab Chromate over Cadmium <b>ZC</b> = Stainless Steel / Zinc Cobalt Alloy/Black Chromate					
Shell Size - Insert Arrangement	See Contact Arrangements Page H-2					
Contact Type	<b>With contacts</b> <b>P</b> = Pin <b>S</b> = Socket	<b>Without contacts</b> <b>A</b> = Pin Connector, less contacts <b>B</b> = Socket Connector, less contacts	<b>With 30 AWG Crimp Barrel</b> <b>G</b> = #23 Pin <b>H</b> = #23 Socket			
Shell Key Positions (See Table III)	<b>A</b> = Normal <b>B</b> = Pos. B <b>C</b> = Pos. C <b>D</b> = Pos. D <b>E</b> = Pos. E <b>F</b> = Pos. F					

Table I: Series	
<b>805-003</b> Receptacle with Banding Platform	<b>805-004</b> Receptacle with Accessory Thread

Table II: Shell Style		
<b>-01</b> In-line Receptacle	<b>-02, -12, -22</b> Square Flange	<b>-07</b> Jam Nut

Dimensions in Inches (millimeters) are subject to change without notice.



# Series 805 Mighty Mouse Triple-Start ACME Thread Receptacle 805-003 and 805-004 Shell Style -01 Dimensions

## In-line cable receptacle - shell style 01

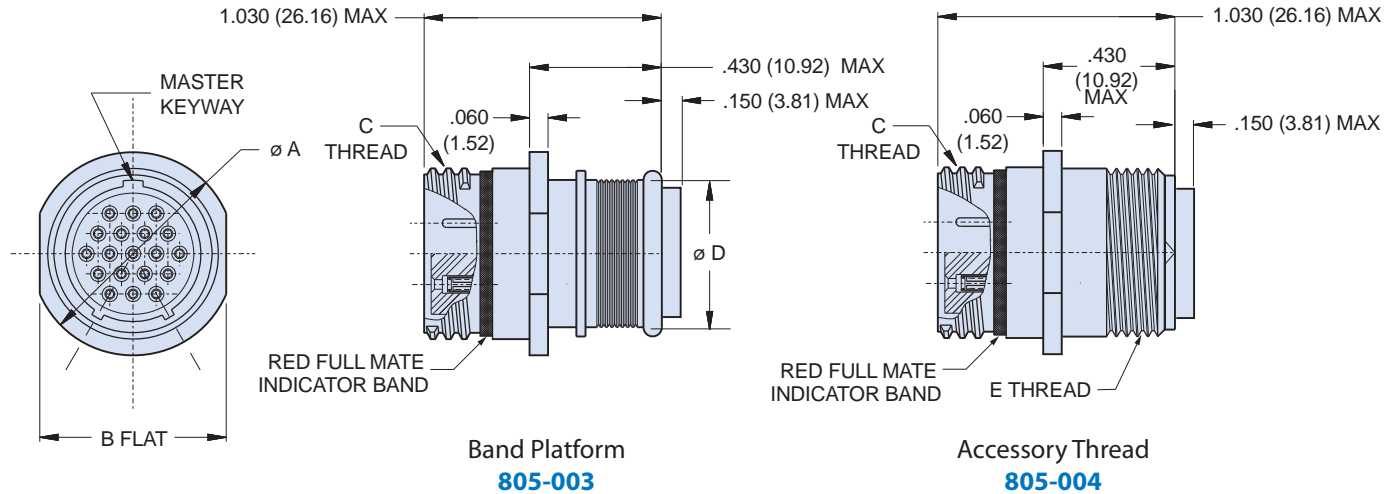
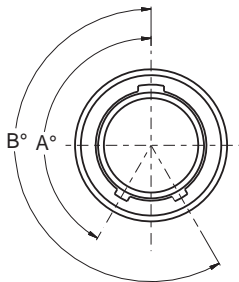


Table III: Key Positions



Key Position	Key Rotation	
	A	B
Normal (A)	150°	210°
B	75°	210°
C	95°	230°
D	140°	275°
E	75°	275°
F	95°	210°

Dimensions

Shell Size	Ø A		B Flat		C Thread	Ø D		E Accessory Thread
	In.	mm.	In.	mm.		In.	mm.	
8	.540	13.72	.510	12.95	.5000-1P-.3L-TS-2A	.316	8.05	.3750-32 UNEF-2A
9	.605	15.37	.575	14.61	.5625-1P-.3L-TS-2A	.397	10.08	.4375-28 UNEF-2A
10	.668	16.96	.638	16.21	.6250-1P-.3L-TS-2A	.472	12.01	.5000-28 UNEF-2A
11	.730	18.54	.700	17.78	.6875-1P-.3L-TS-2A	.519	13.18	.5625-24 UNEF-2A
12	.793	20.14	.763	19.38	.7500-1P-.3L-TS-2A	.585	14.86	.6250-24 UNEF-2A
13	.855	21.72	.825	20.96	.8125-1P-.3L-TS-2A	.646	16.41	.6875-24 UNEF-2A
15	.980	24.89	.950	24.13	.9375-1P-.3L-TS-2A	.687	17.45	.7500-20 UNEF-2A
18	1.165	29.59	1.135	28.83	1.1250-1P-.3L-TS-2A	.884	22.45	.9375-20 UNEF-2A
19	1.235	31.37	1.205	30.61	1.1875-1P-.3L-TS-2A	.884	22.45	.9375-20 UNEF-2A
21	1.360	34.54	1.330	33.78	1.3125-1P-.3L-TS-2A	1.003	25.48	1.0625-18 UNEF-2A
23	1.485	37.72	1.455	36.96	1.4375-1P-.3L-TS-2A	1.134	28.80	1.1875-18 UNEF-2A

### NOTES

#### Performance Specifications

- Immersion, mated: MIL-STD-810 Method 512. One meter for one hour.

#### Materials and Finishes

- Connector shell: aluminum or stainless steel
- Insulator: liquid crystal polymer (LCP)
- Seals: fluorosilicone rubber, blue
- Pin contact: copper alloy, gold over nickel plating
- Socket contact: copper alloy, gold over nickel plating, with SST hood
- Contact retainer clip: beryllium copper, unplated

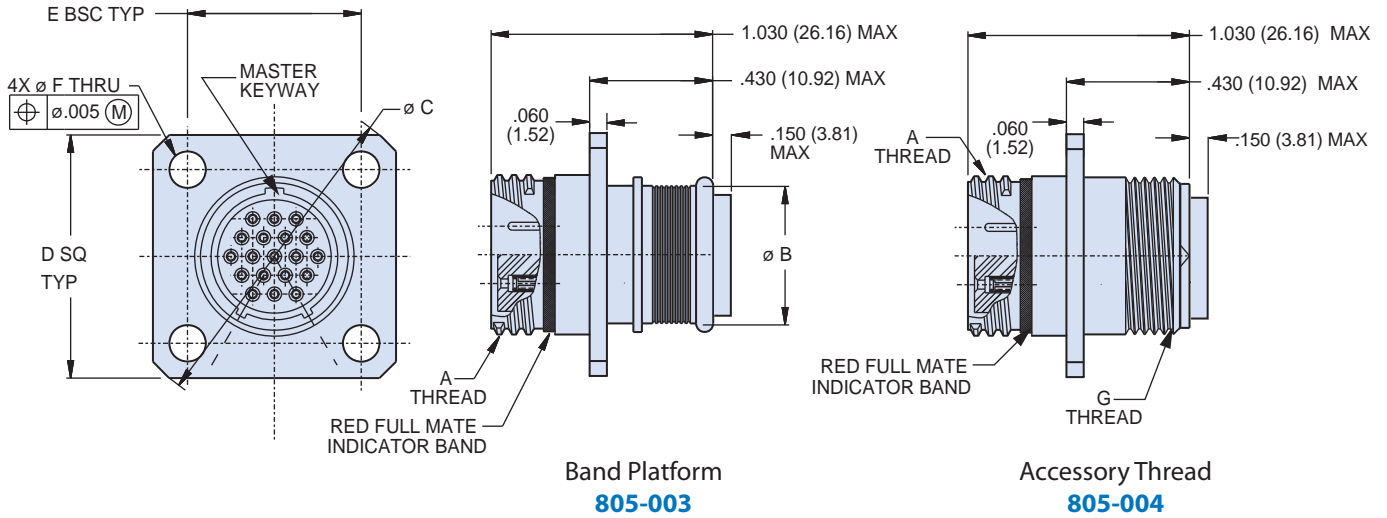
Dimensions in Inches (millimeters) are subject to change without notice.

**Series 805 Mighty Mouse  
Triple-Start ACME Thread Receptacle  
805-003 and 805-004 Shell Style -02 Dimensions**



Series 805

**Square flange, front or rear panel mount receptacle - shell style 02**

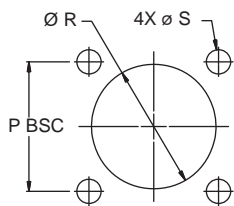


**Band Platform  
805-003**

**Accessory Thread  
805-004**

Dimensions												
Shell Size	A Thread	Ø B		Ø C		D SQ TYP		E BSC		Ø F		G Accessory Thread
		In.	mm.	In.	mm.	In.	mm.	In.	mm.	In.	mm.	
		± .003		± .08								
8	.5000-1P-3L-TS-2A	.316	8.05	1.150	29.21	.850	21.59	.660	16.76	.096 .091	2.44 2.31	.3750-32 UNEF-2A
9	.5625-1P-3L-TS-2A	.397	10.08	1.230	31.24	.913	23.19	.723	18.36			.4375-28 UNEF-2A
10	.6250-1P-3L-TS-2A	.472	12.01	1.330	33.78	.975	24.77	.785	19.94			.5000-28 UNEF-2A
11	.6875-1P-3L-TS-2A	.519	13.18	1.410	35.81	1.039	26.39	.848	21.54			.5625-24 UNEF-2A
12	.7500-1P-3L-TS-2A	.585	14.86	1.500	38.10	1.099	27.91	.909	23.09			.6250-24 UNEF-2A
13	.8125-1P-3L-TS-2A	.646	16.41	1.590	40.39	1.163	29.54	.973	24.71			.6875-24 UNEF-2A
15	.9375-1P-3L-TS-2A	.687	17.45	1.750	44.45	1.288	32.74	1.058	26.87	.130 .126	3.30 3.20	.7500-20 UNEF-2A
18	1.1250-1P-3L-TS-2A	.884	22.45	2.000	50.80	1.475	37.47	1.255	31.88			.9375-20 UNEF-2A
19	1.1875-1P-3L-TS-2A	.884	22.45	2.094	53.19	1.537	39.16	1.327	33.71			.9375-20 UNEF-2A
21	1.3125-1P-3L-TS-2A	1.003	25.48	2.270	57.66	1.663	42.24	1.452	36.88			1.0625-18 UNEF-2A
23	1.4375-1P-3L-TS-2A	1.134	28.80	2.440	61.98	1.787	45.39	1.570	39.88			1.1875-18 UNEF-2A

Square Flange Panel Cut Out Dimensions													
Shell Size	P Bsc		Ø R		Ø S		Shell Size	P Bsc		Ø R		Ø S	
	In.	mm.	In.	mm.	In.	mm.				In.	mm.	In.	mm.
8	0.660	16.76	.515	13.08	.096 .091	2.43 2.31	15	1.058	26.87	.953	24.21	.130 .126	3.30 3.20
9	0.723	18.36	.578	14.68			18	1.255	31.88	1.140	28.96		
10	0.785	19.94	.640	16.26			19	1.327	33.71	1.203	30.56		
11	0.848	21.54	.703	17.86			21	1.452	36.88	1.328	33.73		
12	0.909	23.09	.765	19.43			23	1.570	39.88	1.453	36.91		
13	0.973	24.71	.828	21.03									



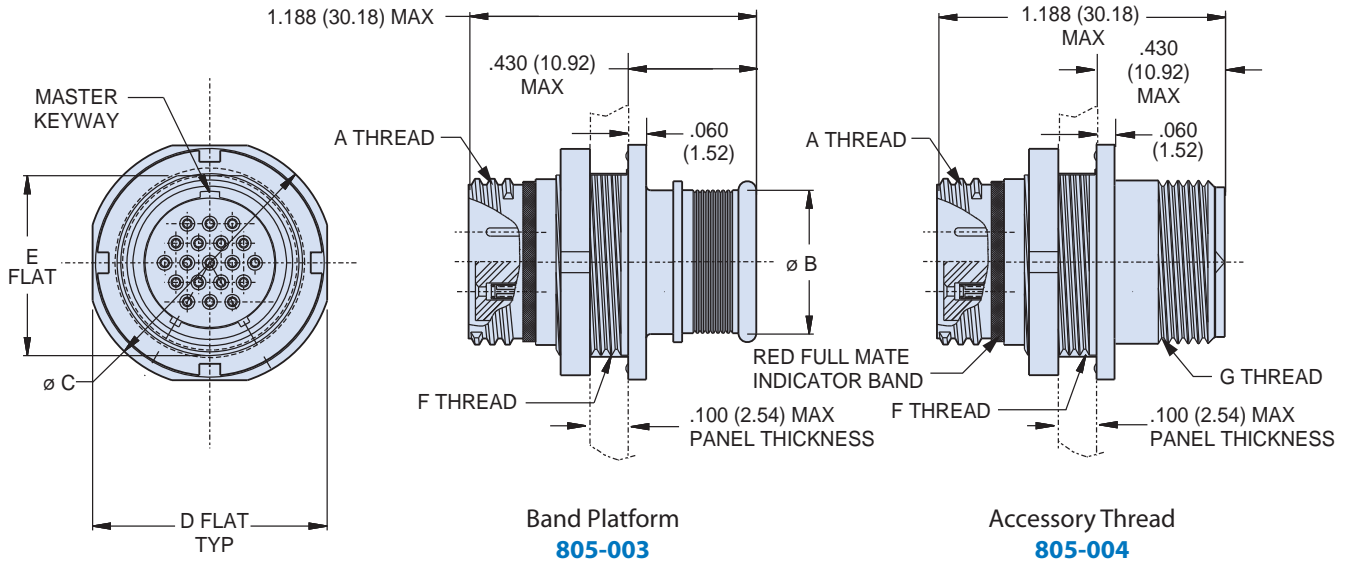
Dimensions in Inches (millimeters) are subject to change without notice.



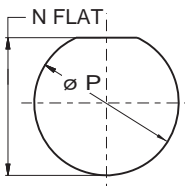


# Series 805 Mighty Mouse Triple-Start ACME Thread Receptacle 805-003 and 805-004 Shell Style -07 Dimensions

## Jam nut, rear panel mount receptacle - shell style 07



Dimensions											
Shell Size	A Thread	Ø B		Ø C		D Flat		E Flat		F Threads	G Accessory Thread
		In.	mm.	In.	mm.	In.	mm.	In.	mm.		
8	.5000-1P-.3L-TS-2A	.316	8.03	.760	19.30	.730	18.54	.535	13.59	.5625-28 UNEF-2A	.3750-32 UNEF-2A
9	.5625-1P-.3L-TS-2A	.397	10.08	.880	22.35	.850	21.59	.661	16.79	.6875-28 UN-2A	.4375-28 UNEF-2A
10	.6250-1P-.3L-TS-2A	.472	11.99	.880	22.35	.850	21.59	.661	16.79	.6875-28 UN-2A	.5000-28 UNEF-2A
11	.6875-1P-.3L-TS-2A	.519	13.18	.955	24.26	.925	23.50	.721	18.31	.7500-28 UN-2A	.5625-24 UNEF-2A
12	.7500-1P-.3L-TS-2A	.585	14.86	1.060	26.92	1.035	26.29	.784	19.91	.8125-28 UN-2A	.6250-24 UNEF-2A
13	.8125-1P-.3L-TS-2A	.646	16.41	1.120	28.45	1.090	27.69	.843	21.41	.8750-28 UN-2A	.6875-24 UNEF-2A
15	.9375-1P-.3L-TS-2A	.687	17.45	1.203	30.56	1.173	29.79	.970	24.64	1.0000-28 UN-2A	.7500-20 UNEF-2A
18	1.1250-1P-.3L-TS-2A	.884	22.45	1.389	35.28	1.359	34.52	1.147	29.13	1.1875-28 UN-2A	.9375-20 UNEF-2A
19	1.1875-1P-.3L-TS-2A	.884	22.45	1.450	36.83	1.420	36.07	1.221	31.01	1.2500-28 UN-2A	.9375-20 UNEF-2A
21	1.3125-1P-.3L-TS-2A	1.003	25.48	1.590	40.39	1.560	39.62	1.350	34.29	1.3750-28 UN-2A	1.0625-18 UNEF-2A
23	1.4375-1P-.3L-TS-2A	1.134	28.80	1.705	43.31	1.675	42.55	1.470	37.34	1.5000-28 UN-2A	1.1875-18 UNEF-2A



Jam Nut Panel Cut Out Dimensions									
Shell Size	N Flat		Ø P ± 0.2		Shell Size	N Flat		Ø P	
	In.	mm.	In.	mm.		In.	mm.	In.	mm.
8	.547/.543	13.89/13.79	.575/.571	14.61/14.50	15	.982/.978	24.94/24.84	.887/.883	22.53/22.42
9	.673/.669	17.09/16.99	.700/.696	17.78/17.67	18	1.159/1.155	29.44/29.34	1.012/1.008	25.70/25.60
10	.673/.669	17.09/16.99	.700/.696	17.78/17.67	19	1.223/1.229	31.06/31.22	1.200/1.196	30.48/30.38
11	.733/.729	18.62/18.51	.762/.758	19.35/19.25	21	1.360/1.356	34.54/34.44	1.387/1.383	35.22/ 35.12
12	.796/.792	20.22/20.11	.825/.821	20.96/20.85	23	1.482/1.478	37.64/37.54	1.512/1.508	38.40/ 38.30
13	.853/.849	21.67/21.56	.887/.883	22.53/22.43					

Dimensions in Inches (millimeters) are subject to change without notice.

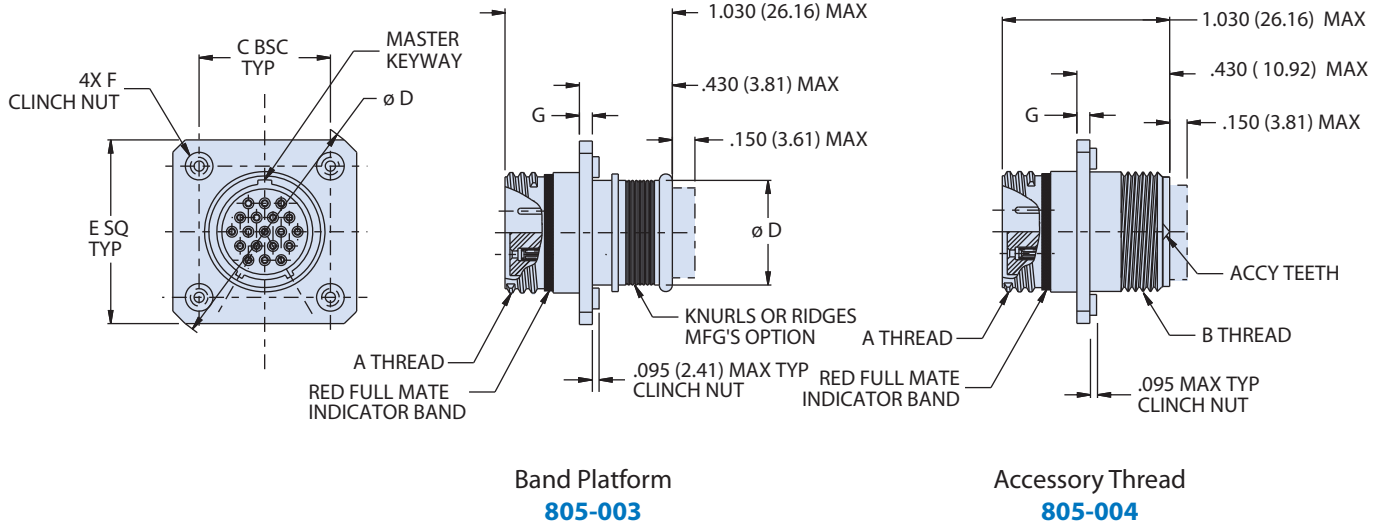


**Series 805 Mighty Mouse  
Triple-Start ACME Thread Receptacle with Clinch Nuts**  
805-003 and 805-004 Shell Style -12/-22 Dimensions



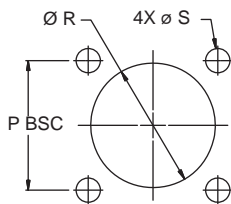
Series 805

**Square flange, rear panel mount receptacle with clinch nut - shell style 12/22**



Dimensions										
Shell Size	A Thread	B Thread	C BSC		Ø D		E SQ		F Clinch Nuts	G
			in.	mm.	in.	mm.	in.	mm.		
8	.5000-1P-.3L-TS-2A	.3750-32 UNEF-2A	0.660	16.76	1.194	30.33	0.920	23.37	2-56	.030
9	.5625-1P-.3L-TS-2A	.4375-28 UNEF-2A	0.723	18.36	1.283	32.59	0.983	24.97		
10	.6250-1P-.3L-TS-2A	.5000-28 UNEF-2A	0.785	19.94	1.371	34.82	1.045	26.54		
11	.6875-1P-.3L-TS-2A	.5625-24 UNEF-2A	0.848	21.54	1.460	37.08	1.104	28.04		
12	.7500-1P-.3L-TS-2A	.6250-24 UNEF-2A	0.909	23.09	1.546	39.27	1.169	29.69		
13	.8125-1P-.3L-TS-2A	.6875-24 UNEF-2A	0.973	24.71	1.637	41.58	1.233	31.32		
15	.9375-1P-.3L-TS-2A	.7500-20 UNEF-2A	1.058	26.87	1.817	46.15	1.378	35.00		
18	1.1250-1P-.3L-TS-2A	.9375-20 UNEF-2A	1.255	31.88	2.096	53.24	1.575	40.01	4-40	.060
19	1.1875-1P-.3L-TS-2A	.9375-20 UNEF-2A	1.327	33.71	2.197	55.80	1.647	41.83		
21	1.3125-1P-.3L-TS-2A	1.0625-18 UNEF-2A	1.452	36.88	2.380	60.45	1.772	45.01		
23	1.4375-1P-.3L-TS-2A	1.1875-18 UNEF-2A	1.570	39.88	2.541	64.54	1.890	48.01		

Square Flange Panel Cut Out Dimensions													
Shell Size	P Bsc		Ø R		Ø S		Shell Size	P Bsc		Ø R		Ø S	
	In.	mm.	In.	mm.	In.	mm.		In.	mm.	In.	mm.	In.	mm.
8	0.660	16.76	.151	13.08	.096 .091	2.43 2.31	15	1.058	26.87	.953	24.21	.130 .126	3.30 3.20
9	0.723	18.36	.158	14.68			18	1.255	31.88	1.140	28.96		
10	0.785	19.94	.164	16.26			19	1.327	33.71	1.203	30.56		
11	0.848	21.54	.170	17.86			21	1.452	36.88	1.328	33.73		
12	0.909	23.09	.176	19.43			23	1.570	39.88	1.453	36.91		
13	0.973	24.71	.182	21.03									



Dimensions in Inches (millimeters) are subject to change without notice.





# Series 805 Mighty Mouse Triple-Start ACME Thread PCB or Solder Cup Receptacle

## 805-005 and 805-017 Ordering Information



**Printed Circuit Board/Solder Cup Receptacles** feature low profile shells for minimum protrusion inside enclosures and integral standoffs for board washout. Contacts are non-removable.

**Water Immersion, Unmated** Specify 805-005 connectors for applications where open face water immersion is not a requirement. For MIL-STD-810 Method 512G immersion requirements, specify 805-017 watertight connectors. These 805-017 connectors are specially sealed ("MOD-518") and are 100% tested to maintain a helium leak rate of  $1 \times 10^{-4}$  cc/second at one atmosphere pressure differential from  $-40^{\circ}\text{C}$  to  $+70^{\circ}\text{C}$ .

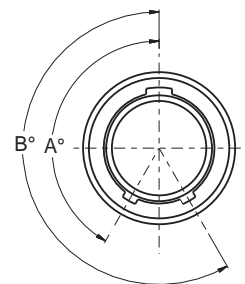
How To Order							
Sample Part Number		<b>805-017</b>	<b>-07</b>	<b>M</b>	<b>10-13</b>	<b>P</b>	<b>B</b>
Series	<b>805-005</b> = Receptacle with Standard Epoxy Potting <b>805-017</b> = Receptacle with Special "MOD-518" Sealing For Open Face (unmated) Water Immersion Requirements. 100% Leak Tested.						
Shell Style (See Table I)	<b>-02</b> = Square Flange Front or Rear Mount <b>-12</b> = Square Flange Rear Mount Non-Locking Clinch Nuts <b>-22</b> = Square Flange Rear Mount Locking Clinch Nuts <b>-07</b> = Jam Nut Rear Panel Mount						
Shell Material and Finish	<b>C</b> = Aluminum / Black Anodize (Non-Conductive); RoHS Compliant <b>M</b> = Aluminum / Electroless Nickel; RoHS Compliant <b>MT</b> = Aluminum / Nickel-PTFE RoHS Compliant <b>NF</b> = Aluminum / Cadmium with Olive Drab Chromate <b>ZNU</b> = Aluminum / Zinc-Nickel with Black Chromate <b>Z1</b> = Stainless Steel / Passivated; RoHS Compliant <b>ZB</b> = Stainless Steel / Olive Drab Chromate over Cadmium <b>ZC</b> = Stainless Steel / Zinc Cobalt Alloy/Black Chromate						
Shell Size - Insert Arrangement	See Contact Arrangements Page H-2						
Contact Type	<b>P</b> = Pin, PC Tail		<b>E</b> = Pin, Solder Cup				
	<b>S</b> = Socket, PC Tail		<b>F</b> = Socket, Solder Cup				
Shell Key Positions (See Table II)	<b>A</b> = Normal <b>B</b> = Pos. B <b>C</b> = Pos. C <b>D</b> = Pos. D <b>E</b> = Pos. E <b>F</b> = Pos. F						

Table I: Shell Style

<b>-02, -12, -22</b> Square Flange	<b>-07</b> Jam Nut

Table II: Key Positions

Key Position	Key Rotation	
	A	B
Normal (A)	150°	210°
B	75°	210°
C	95°	230°
D	140°	275°
E	75°	275°
F	95°	210°



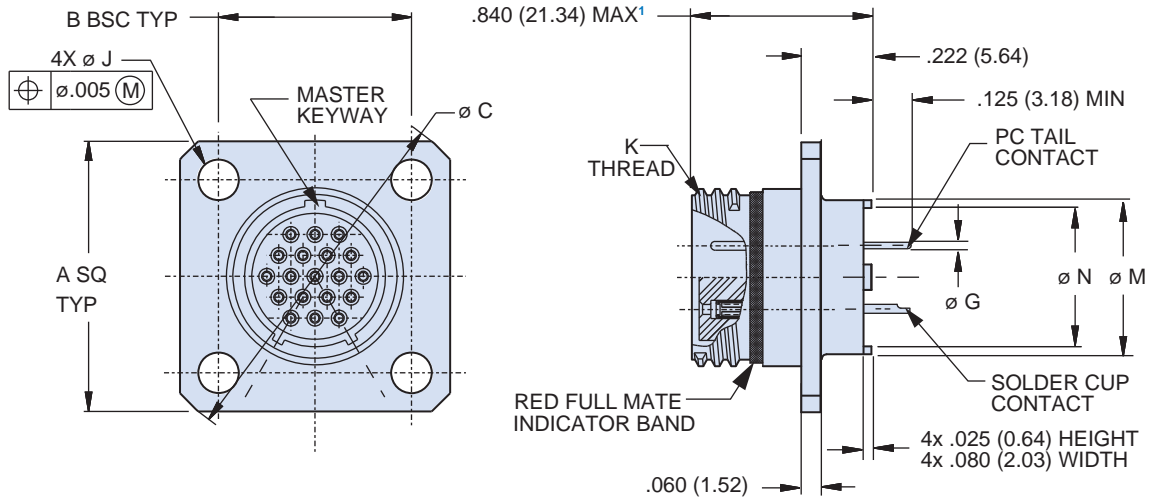
Dimensions in Inches (millimeters) are subject to change without notice.

Series 805 Mighty Mouse Triple-Start ACME Thread  
PCB or Solder Cup Receptacle  
805-005 and 805-017 Shell Style -02 Dimensions



Series 805

**Square flange, front or rear panel mount receptacle - shell style 02**



**Dimensions**

Shell Size	A SQ Typ		B Bsc Typ		Ø C		Ø J		K Thread	Ø M		Ø N		Ø G Tail Dia.
	In.	mm.	In.	mm.	In.	mm.	In.	mm.		In.	mm.	In.	mm.	
							± .003	± .08						
8	.850	21.59	.660	16.76	1.150	29.21	.094	2.39	.5000-1P-3L-TS	.330	8.38	.236	5.99	#23 .018/.022 (0.46/0.56)
9	.913	23.19	.723	18.36	1.230	31.24	.094	2.39	.5625-1P-3L-TS	.432	10.97	.322	8.18	
10	.975	24.77	.785	19.94	1.330	33.78	.094	2.39	.6250-1P-3L-TS	.493	12.52	.386	9.80	
11	1.039	26.39	.848	21.54	1.410	35.81	.094	2.39	.6875-1P-3L-TS	.551	14.00	.442	11.23	#20 .024/.028 (0.61/0.71)
12	1.099	27.91	.909	23.09	1.500	38.10	.094	2.39	.7500-1P-3L-TS	.620	15.78	.513	13.03	
13	1.163	29.54	.973	24.71	1.590	40.39	.094	2.39	.8125-1P-3L-TS	.661	16.79	.554	14.07	
15	1.288	32.74	1.058	26.87	1.750	44.45	.128	3.25	.9375-1P-3L-TS	.703	17.86	.594	15.09	#16 .060/.064 (1.52/1.63)
18	1.475	37.47	1.255	31.88	2.000	50.80	.128	3.25	1.1250-1P-3L-TS	.863	21.92	.755	19.18	
19	1.537	71.06	1.327	33.71	2.094	53.19	.128	3.25	1.1875-1P-3L-TS	.912	23.16	.805	20.45	
21	1.663	42.24	1.452	36.88	2.270	57.66	.128	3.25	1.3125-1P-3L-TS	1.017	25.83	.910	23.11	#12 .092/.096 (2.34/2.44)
23	1.787	45.39	1.570	39.88	2.440	61.98	.128	3.25	1.4375-1P-3L-TS	1.162	29.51	1.055	26.80	

**Flange Style Recommended Panel Cutout**

Shell Size	H BSC	J Holes	Ø P
9	0.723 (18.36)	0.578 (14.68)	
10	0.785 (19.94)	0.640 (16.26)	
11	0.848 (21.54)	0.703 (17.86)	
12	0.909 (23.09)	0.765 (19.43)	
13	0.973 (24.71)	0.828 (21.03)	
15	1.058 (26.87)	0.130 (0.13) 0.126 (3.20)	0.953 (24.21)
18	1.255 (31.88)		1.140 (28.96)
19	1.327 (33.71)		1.203 (30.56)
21	1.452 (36.88)		1.328 (33.73)
23	1.570 (39.88)		1.453 (36.91)

Dimensions in Inches (millimeters) are subject to change without notice.

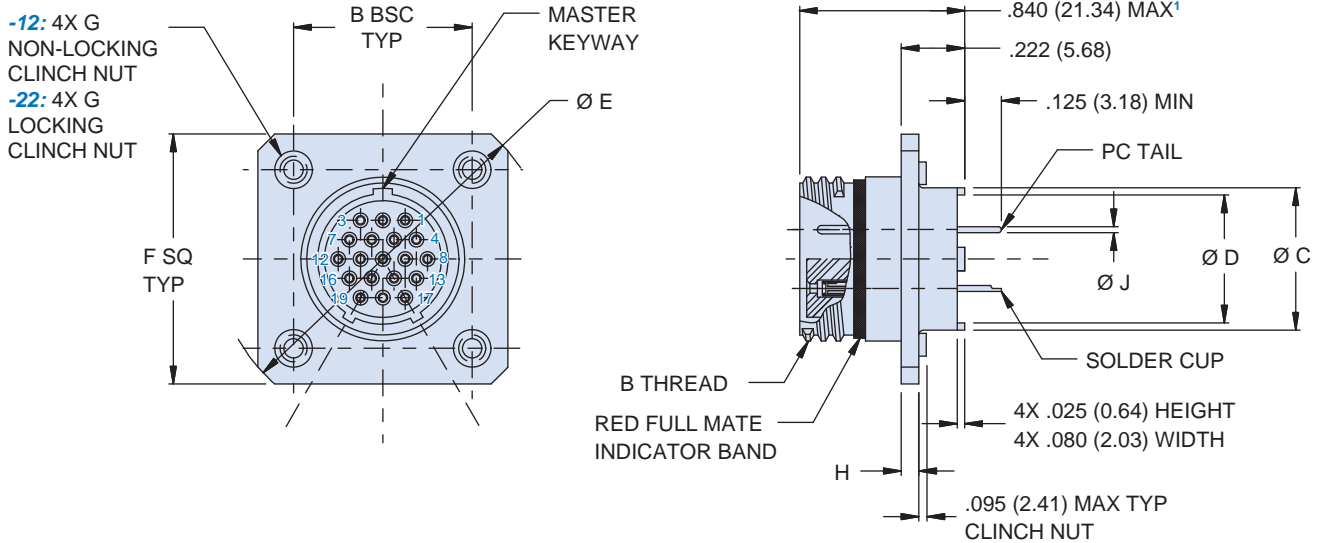




# Series 805 Mighty Mouse Triple-Start ACME Thread PCB or Solder Cup Receptacle

## 805-005 and 805-017 Shell Styles -12 and -22 Dimensions

### Square flange, front or rear panel mount receptacle - shell style 12 and 22



Dimensions														
Shell Size	B BSC Typ		B Thread	Ø C		Ø D		Ø E		F SQ		G	H	Ø J Tail Dia.
	In	mm		In	mm	In	mm	In	mm	In	mm			
8	0.850	21.59	.5000-1P-3L-TS	0.330	8.38	0.236	5.99	1.194	30.33	0.920	23.37	2-56	0.030 (.76)	#23 .018/.022 (0.46/0.56)
9	0.913	23.19	.5625-1P-3L-TS	0.432	10.97	0.322	8.18	1.283	32.59	0.983	24.97			
10	0.975	24.77	.6250-1P-3L-TS	0.493	12.52	0.386	9.80	1.371	34.82	1.045	26.54			
11	1.039	26.39	.6875-1P-3L-TS	0.551	14.00	0.442	11.23	1.460	37.08	1.104	28.04			
12	1.099	27.91	.7500-1P-3L-TS	0.620	15.75	0.513	13.03	1.546	39.27	1.169	29.69			
13	1.163	29.54	.8125-1P-3L-TS	0.661	16.79	0.554	14.07	1.637	41.58	1.233	31.32	4-40	0.060 (1.52)	#16 .060/.064 (1.52/1.63)
15	1.288	32.72	.9375-1P-3L-TS	0.705	17.91	0.594	15.09	1.817	46.15	1.378	35.00			
18	1.475	37.47	1.1250-1P-3L-TS	0.863	21.92	0.755	19.18	2.096	53.24	1.575	40.01			
19	1.537	39.04	1.1875-1P-3L-TS	0.912	23.16	0.805	20.45	2.197	55.80	1.647	41.83			
21	1.663	42.24	1.3125-1P-3L-TS	1.017	25.83	0.910	23.11	2.380	60.45	1.772	45.01			
23	1.787	45.39	1.4375-1P-3L-TS	1.162	29.51	1.055	26.80	2.541	64.54	1.890	48.01			#12 .092/.096 (2.34/2.44)

Flange Style Recommended Panel Cutout					
Shell Size	A BSC	B Holes		Ø C	
		In	mm	In	mm
8	0.660	16.76	0.096 (2.43)	0.515	13.08
9	0.723	18.36		0.578	14.68
10	0.785	19.94		0.640	16.26
11	0.848	21.54		0.703	17.86
12	0.909	23.09		0.765	19.43
13	0.973	24.71	0.130 (0.13)	0.828	21.03
15	1.058	26.87		0.953	24.21
18	1.255	31.88		1.140	28.96
19	1.327	33.71		1.203	30.56
21	1.452	36.88		1.328	33.73
23	1.570	39.88	0.126 (3.20)	1.453	36.91

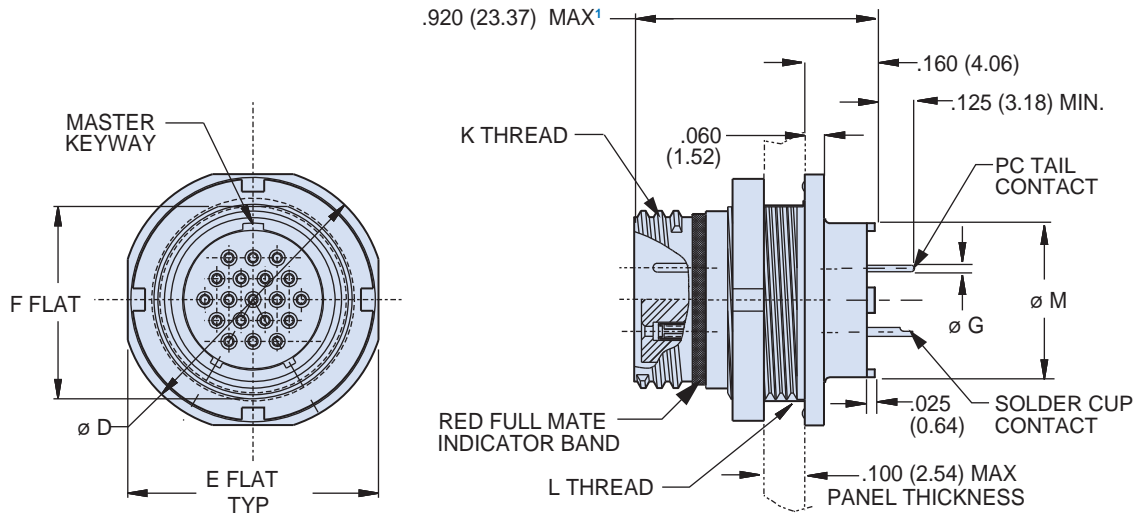
Dimensions in Inches (millimeters) are subject to change without notice.

Series 805 Mighty Mouse Triple-Start ACME Thread  
PCB or Solder Cup Receptacle  
805-005 and 805-017 Shell Style -07 Dimensions



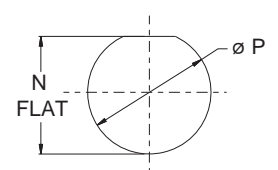
Series 805

**Jam nut, rear panel mount receptacle - shell style 07**



Dimensions											
Shell Size	ø D		E Flat		F Flat		K Thread	L Thread	ø M		ø G Tail Dia.
	In.	mm.	In.	mm.	In.	mm.			In.	mm.	
8	.760	19.30	.730	18.54	.535	13.59	.5000-1P-.3L-TS	.5625-28 UNEF-2A	.330	8.38	#23 .018/.022 (0.46/0.56)
9	.880	22.35	.850	21.59	.661	16.79	.5625-1P-.3L-TS	.6875-28 UN-2A	.432	10.97	
10	.880	22.35	.850	21.59	.661	16.79	.6250-1P-.3L-TS	.6875-28 UN-2A	.493	12.52	
11	.955	24.26	.925	23.50	.721	18.31	.6875-1P-.3L-TS	.7500-28 UN-2A	.551	14.00	#20 .024/.028 (0.61/0.71)
12	1.060	26.92	1.035	26.29	.784	19.91	.7500-1P-.3L-TS	.8125-28 UN-2A	.620	15.78	
13	1.120	28.45	1.090	27.69	.841	21.36	.8125-1P-.3L-TS	.8750-28 UN-2A	.661	16.79	#16 .060/.064 (1.52/1.63)
15	1.203	30.56	1.173	29.79	.970	24.64	.9375-1P-.3L-TS	1.0000-28 UN-2A	.705	17.86	
18	1.389	35.28	1.359	34.52	1.147	29.13	1.1250-1P-.3L-TS	1.1875-28 UN-2A	.863	21.92	
19	1.450	36.83	1.420	36.07	1.221	31.01	1.1875-1P-.3L-TS	1.2500-28 UN-2A	.912	23.16	#12 .092/.096 (2.34/2.44)
21	1.580	40.13	1.550	39.37	1.348	34.24	1.3125-1P-.3L-TS	1.3750-28 UN-2A	1.017	25.83	
2	1.705	43.31	1.675	42.55	1.470	37.34	1.4375-1P-.3L-TS	1.500-28 UN-2A	1.162	29.51	

Jam Nut Panel Cut Out									
Shell Size	ø P		N Flat		Shell Size	ø P		N Flat	
	In.	mm.	In.	mm.		In.	mm.	In.	mm.
8	.575/.571	14.60/14.50	.547/.543	13.89/13.79	15	1.012/1.008	25.70/25.60	.982/.978	24.94/24.84
9	.700/.696	17.78/17.68	.673/.669	17.09/16.99	18	1.200/1.196	30.48/30.38	1.159/1.155	29.44/29.34
10	.700/.696	17.78/17.68	.673/.669	17.09/16.99	19	1.262/1.258	32.05/31.95	1.233/1.229	31.32/31.22
11	.762/.758	19.35/19.25	.733/.729	18.61/18.52	21	1.387/1.383	35.23/35.13	1.360/1.356	34.54/34.44
12	.825/.821	20.96/20.85	.796/.792	20.22/20.12	23	1.512/1.508	38.40/38.30	1.482/1.478	37.64/37.54
13	.887/.883	22.53/22.43	.853/.849	21.67/21.56					



Dimensions in Inches (millimeters) are subject to change without notice.



# Series 805 Mighty Mouse Triple-Start ACME Thread Hermetic Receptacle

## 805-006 Ordering Information



**Series 805 Hermetic Receptacles** feature 304L stainless steel shells, fused vitreous glass insulators and Alloy 52 iron alloy contacts. Triple-start ACME thread provides fast mating and cross-threading protection. Mating plug connectors feature EMI springs and ratcheting anti-decoupling mechanism for resistance to vibration. 1000 PSI open face pressure. Fluorosilicone seals

for water ingress protection. Contacts are gold-plated 50 microinches minimum.

**1 X 10<sup>-7</sup> cc/second** maximum helium leak rate.

**Four Shell Styles:** jam nut, square flange, solder mount and weld mount.

**Solder Cup Contacts** for #22 AWG wire, or PC Tail Contacts for attachment to flexible or rigid circuits.

### How To Order

Sample Part Number	805-006	-07	Z1	12-26	C	A
Series	805-006 = Hermetic Receptacle					
Shell Style (See Table I)	-02 = Square Flange Front or Rear Mount -03 = Solder Mount -07 = Jam Nut Rear Panel Mount -13 = Weld Mount					
Shell Material and Finish	Z1 = Stainless Steel / Passivated; RoHS Compliant ZL = Stainless Steel / Nickel Plated *Titanium and Inconel® shell materials are available. Consult factory for ordering information.					
Shell Size - Insert Arrangement	See contact arrangements page H-2					
Contact Type	P = Pin, Solder Cup S = Socket, Solder Cup		C = Pin PC Tail D = Socket PC Tail			
Shell Key Positions (See Table II)	A = Normal B = Pos. B C = Pos. C D = Pos. D E = Pos. E F = Pos. F					

#### Table I: Shell Style

-02 Square Flange	-07 Jam Nut
-03 Solder Mount	-13 Weld Mount

#### Table II: Key Positions

Key Position	Key Rotation	
	A	B
Normal (A)	150°	210°
B	75°	210°
C	95°	230°
D	140°	275°
E	75°	275°
F	95°	210°

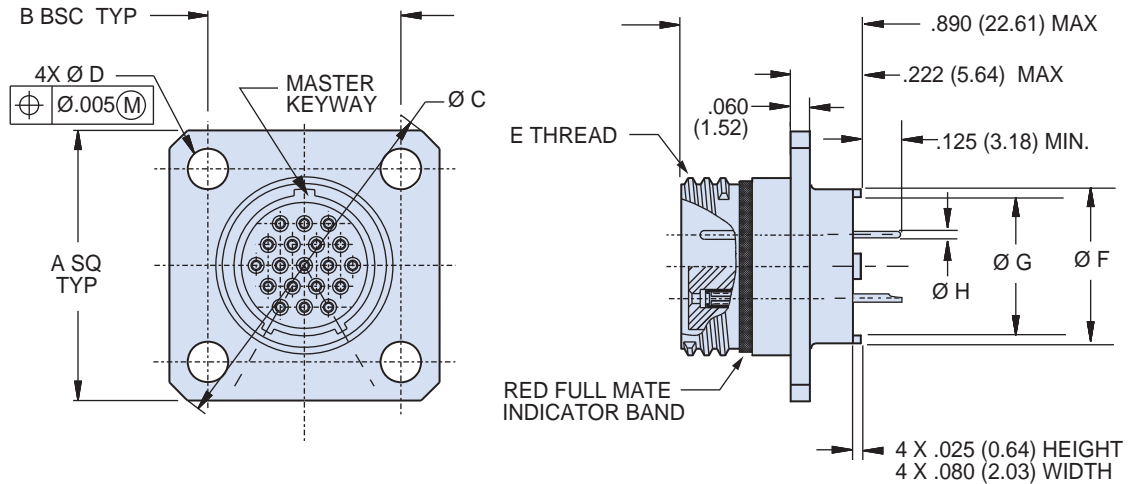
Dimensions in Inches (millimeters) are subject to change without notice.

**Series 805 Mighty Mouse Triple-Start ACME Thread  
Hermetic Receptacle**  
805-006 Shell Style -02 Dimensions



Series 805

**Square flange, front or rear panel mount receptacle - shell style 02**



Dimensions														
Shell Size	A SQ Typ		B BSC Typ		Ø C		Ø D		E Threads	Ø F		Ø G		Ø H Tail Dia.
	In.	mm.	In.	mm.	In.	mm.	In. ± .003	mm. ± .08		In.	mm.	In.	mm.	
8	.850	21.59	.660	16.76	1.150	29.21	.094	2.39	.5000-1P-3L-TS	.330	8.38	.236	5.99	#23
9	.913	23.19	.723	18.36	1.230	31.24	.094	2.39	.5625-1P-3L-TS	.432	10.97	.322	8.18	.018/.022
10	.975	24.77	.785	19.94	1.330	33.78	.094	2.39	.6250-1P-3L-TS	.493	12.52	.386	9.80	(0.46/0.56)
11	1.039	26.39	.848	21.54	1.410	35.81	.094	2.39	.6875-1P-3L-TS	.553	14.05	.442	11.23	#20
12	1.099	27.91	.909	23.09	1.500	38.10	.094	2.39	.7500-1P-3L-TS	.620	15.78	.513	13.03	.024/.028
13	1.163	29.54	.973	24.71	1.590	40.39	.094	2.39	.8125-1P-3L-TS	.661	16.79	.554	14.07	(0.61/0.71)
15	1.288	32.74	1.058	26.87	1.750	44.45	.128	3.25	.9375-1P-3L-TS	.703	17.86	.594	15.09	#16
18	1.475	37.47	1.255	31.88	2.000	50.80	.128	3.25	1.1250-1P-3L-TS	.863	21.92	.755	19.18	.060/.064
19	1.537	71.06	1.327	33.71	2.094	53.19	.128	3.25	1.1875-1P-3L-TS	.912	23.16	.805	20.45	(1.52/1.63)
21	1.663	42.24	1.452	38.88	2.270	57.66	.128	3.25	1.3125-1P-3L-TS	1.017	25.83	.910	23.11	#12
23	1.787	45.39	1.576	40.03	2.440	61.98	.128	3.25	1.4375-1P-3L-TS	1.162	29.51	1.055	26.80	.092/.096
														(2.34/2.44)

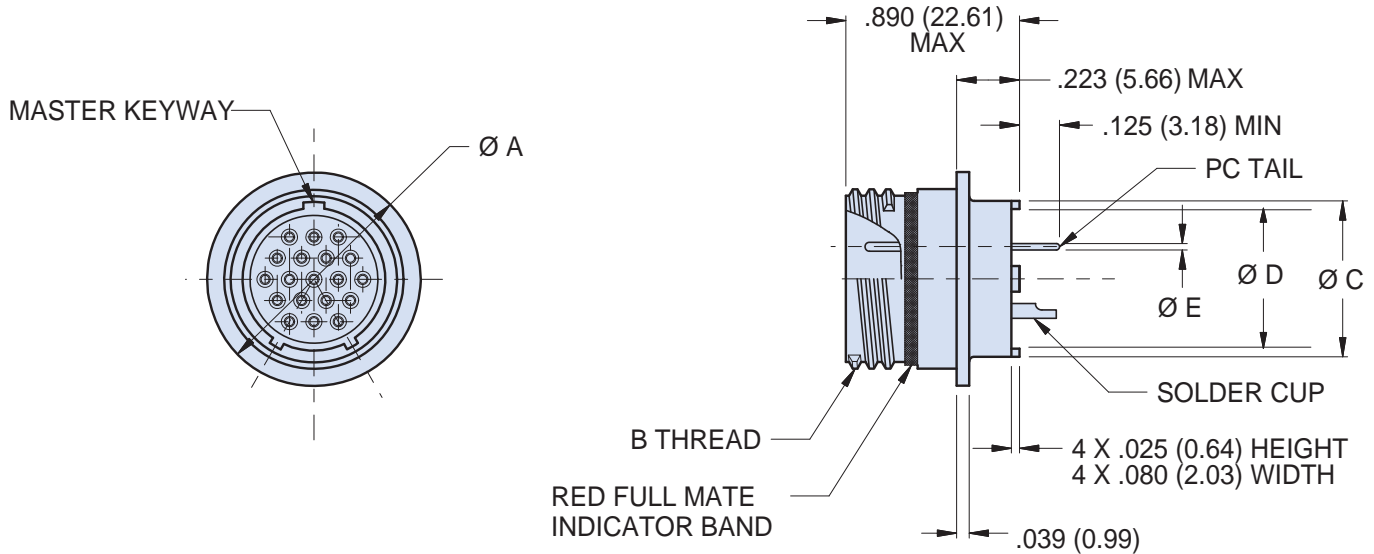
Dimensions in Inches (millimeters) are subject to change without notice.



# Series 805 Mighty Mouse Triple-Start ACME Thread Hermetic Receptacle

## 805-006 Shell Style -03 Dimensions

### Solder mount receptacle - shell style 03



Dimensions								
Shell Size	$\varnothing A$		B Thread	$\varnothing C$		$\varnothing D$		$\varnothing E$ Tail Dia.
	In.	mm.		In.	mm.	In.	mm.	
8	.625	15.88	.5000-.1P-.3L-TS-2A	.330	8.38	.236	5.99	
9	.688	17.48	.5625-.1P-.3L-TS-2A	.432	10.97	.322	8.18	<b>#23</b> .018/.022 (0.46/0.56)
10	.750	19.75	.6250-.1P-.3L-TS-2A	.493	12.52	.386	9.80	
11	.812	20.62	.6875-.1P-.3L-TS-2A	.553	14.05	.442	11.23	<b>#20</b>
12	.875	22.23	.7500-.1P-.3L-TS-2A	.620	15.75	.513	13.03	.024/.028 (0.61/0.71)
13	.938	23.83	.8125-.1P-.3L-TS-2A	.661	16.79	.554	14.07	
15	1.062	26.97	.9375-.1P-.3L-TS-2A	.703	17.86	.594	15.09	<b>#16</b> .060/.064 (1.52/1.63)
18	1.250	31.75	1.1250-.1P-.3L-TS-2A	.863	21.92	.755	19.18	
19	1.312	33.32	1.1875-.1P-.3L-TS-2A	.912	23.16	.805	20.45	<b>#12</b>
21	1.438	36.53	1.3125-.1P-.3L-TS-2A	1.017	25.83	.910	23.11	.092/.096 (2.34/2.44)
23	1.562	39.67	1.4375-.1P-.3L-TS-2A	1.162	29.51	1.055	26.80	

Dimensions in Inches (millimeters) are subject to change without notice.



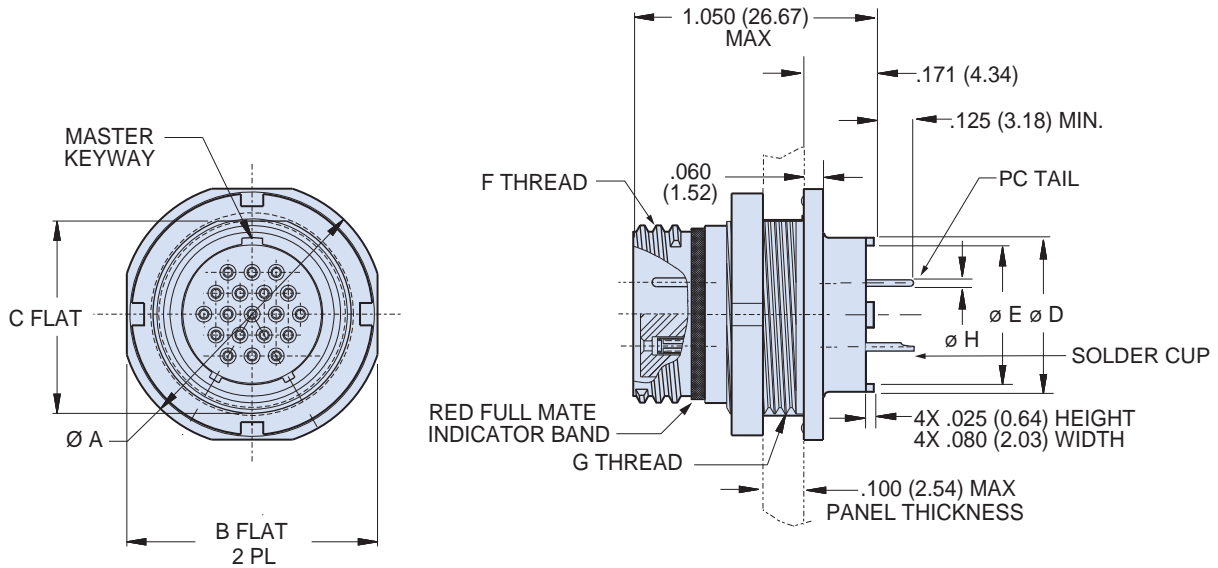
# Series 805 Mighty Mouse Triple-Start ACME Thread Hermetic Receptacle

## 805-006 Shell Style -07 Dimensions



Series 805

### Jam nut rear panel mount receptacle - shell style 07



Dimensions													
Shell Size	Ø A		B Flat		C Flat		Ø D		Ø E		F Thread	G Thread	Ø H Tail Dia.
	In.	mm.	In.	mm.	In.	mm.	In.	mm.	In.	mm.			
8	.760	19.30	.730	18.54	.535	13.59	.330	8.38	.236	5.99	.5000-.1P-.3L-TS-2A	.5625-28 UNEF-2A	#23 .018/.022 (0.46/0.56)
9	.880	22.35	.850	21.59	.661	16.79	.432	10.97	.322	8.18	.5625-.1P-.3L-TS-2A	.6875-28 UN-2A	
10	.880	22.35	.850	21.59	.661	16.79	.493	12.52	.386	9.80	.6250-.1P-.3L-TS-2A	.6875-28 UN-2A	#20 .024/.028 (0.61/0.71)
11	.955	24.26	.925	23.50	.721	18.31	.553	14.05	.442	11.23	.6875-.1P-.3L-TS-2A	.7500-28 UN-2A	
12	1.060	26.92	1.035	26.29	.784	19.91	.620	15.75	.513	13.03	.7500-.1P-.3L-TS-2A	.8125-28 UN-2A	#16 .060/.064 (1.52/1.63)
13	1.120	28.45	1.090	27.69	.843	21.41	.661	16.79	.554	14.07	.8125-.1P-.3L-TS-2A	.8750-28 UN-2A	
15	1.203	30.56	1.173	29.79	.970	24.64	.703	17.86	.594	15.09	.9375-.1P-.3L-TS-2A	1.0000-28 UN-2A	#12 .092/.096 (2.34/2.44)
18	1.389	35.28	1.359	34.52	1.147	29.13	.863	21.92	.755	19.18	1.1250-.1P-.3L-TS-2A	1.1875-28 UN-2A	
19	1.450	36.83	1.420	36.07	1.221	31.01	.912	23.16	.805	20.45	1.1875-.1P-.3L-TS-2A	1.2500-28 UN-2A	
21	1.580	40.13	1.550	39.37	1.350	34.29	1.017	25.83	.910	23.11	1.3125-.1P-.3L-TS-2A	1.3750-28 UN-2A	
23	1.705	43.31	1.675	42.55	1.470	37.34	1.162	29.51	1.055	26.80	1.4375-.1P-.3L-TS-2A	1.5000-25 UN-2A	

Panel Cutout For Jam Nut Receptacle									
Shell Size	A Flat		Ø B		Shell Size	A Flat		Ø B	
	In.	mm.	In.	mm.		In.	mm.	In.	mm.
8	.547	13.89	.575	14.61	15	.982	24.94	1.012	25.70
	.543	13.79	.571	14.50		.978	24.84	1.008	25.60
9	.673	17.09	.700	17.78	18	1.159	29.44	1.200	30.48
	.669	16.99	.696	17.68		1.155	29.34	1.196	30.38
10	.673	17.09	.700	17.78	19	1.233	31.32	1.262	32.05
	.669	16.99	.696	17.68		1.229	31.22	1.258	31.95
11	.733	18.62	.762	19.35	21	1.360	34.54	1.387	35.23
	.729	18.52	.758	19.25		1.356	34.44	1.383	35.13
12	.796	20.22	.825	20.96	23	1.482	37.64	1.512	38.40
	.792	20.12	.821	20.85		1.478	37.54	1.508	38.30
13	.853	21.67	.887	22.53					
	.849	21.56	.883	22.43					

Dimensions in Inches (millimeters) are subject to change without notice.

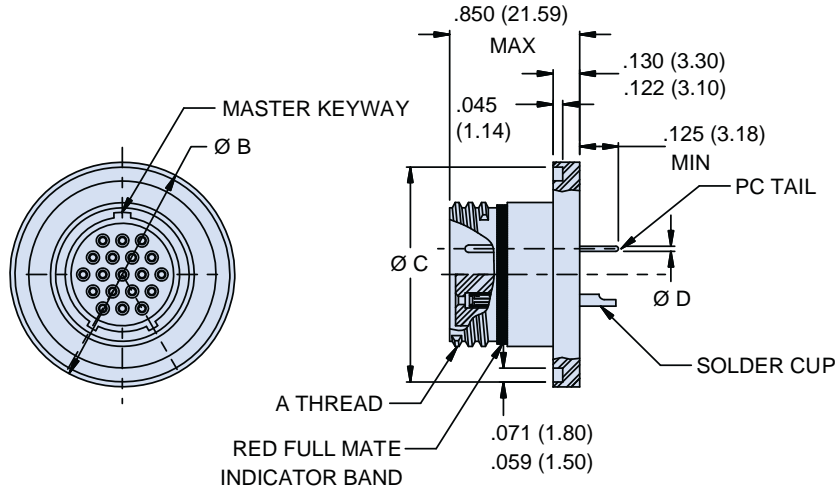




# Series 805 Mighty Mouse Triple-Start ACME Thread Hermetic Receptacle

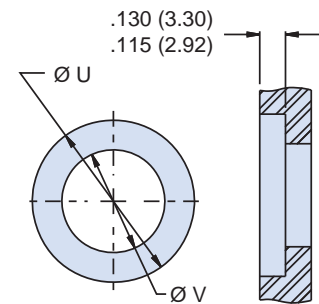
## 805-006 Shell Style -13 Dimensions

### Weld mount receptacle - shell style 13



Dimensions						
Shell Size	A Thread	Ø B ± .002		Ø C ± .006		Ø D Tail Dia.
		In.	mm.	In.	mm.	
8	.5000-1P-3L-TS	.788	20.02	.745	18.92	#23 .018/.022 (0.46/0.56)
9	.5625-1P-3L-TS	.912	23.16	.869	22.07	
10	.6250-1P-3L-TS	.975	24.77	.933	23.70	
11	.6875-1P-3L-TS	1.038	26.37	.995	25.27	#20 .024/.028 (0.61/0.71)
12	.7500-1P-3L-TS	1.100	27.94	1.057	26.85	
13	.8125-1P-3L-TS	1.162	29.51	1.119	28.42	#16 .060/.064 (1.52/1.63)
15	.9375-1P-3L-TS	1.288	32.72	1.245	31.63	
18	1.1250-1P-3L-TS	1.475	37.47	1.430	36.32	
19	1.1875-1P-3L-TS	1.540	39.12	1.495	37.97	#12 .092/.096 (2.34/2.44)
21	1.3125-1P-3L-TS	1.665	42.29	1.620	41.15	
23	1.4375-1P-3L-TS	1.795	45.59	1.750	44.45	

### Panel Cutout for Weld Mount Receptacle



Shell Size	Ø U ± .003		Ø V Min	
	In.	mm.	In.	mm.
8	.794	20.16	.350	8.89
9	.918	23.32	.455	11.56
10	.981	24.92	.520	13.21
11	1.044	26.52	.575	14.61
12	1.106	28.09	.650	16.51
13	1.168	29.67	.685	17.40
15	1.294	32.87	.730	18.54
18	1.481	37.62	.890	22.61
19	1.546	39.27	.940	23.88
21	1.671	42.44	1.040	26.42
23	1.801	45.75	1.190	30.23

Dimensions in Inches (millimeters) are subject to change without notice.

# Series 805 Mighty Mouse Triple-Start ACME Thread Square Flange Jam Nut PCB Receptacle

## 805-067 Ordering Information



Series 805



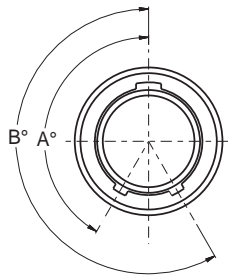
**Series 805 Backpotted Receptacle** features a choice of 304L stainless steel or aluminum alloy shells with stand off, liquid crystal insulator and gold plated copper alloy non-removable contacts.

**Popular Jam Nut Mount Style** Mates with all triple start threaded high density plug connectors with the same polarization and opposite contact gender.

**PC Tail or Solder Cup** for attachment to flexible or rigid circuits or rigid boards.

How To Order						
Sample Part Number	805-067	-07	M	8-23	P	A
Series	805-067 = PCB Receptacle with Solder Cup or PC tail Contacts					
Shell Style	-07 = Jam Nut Rear Panel Mount -17 = Jam Nut Mount, Self-Locking Heli-Coils					
Shell Material and Finish	C = Aluminum / Black Anodize (Non-Conductive); RoHS Compliant M = Aluminum / Electroless Nickel; RoHS Compliant MT = Aluminum / Nickel-PTFE RoHS Compliant NF = Aluminum / Cadmium with Olive Drab Chromate ZNU = Aluminum / Zinc-Nickel with Black Chromate Z1 = Stainless Steel / Passivated; RoHS Compliant					
Shell Size - Insert Arrangement	See Contact Arrangements Page H-2					
Contact Type	P = Pin, PC Tail S = Socket, PC Tail					
Shell Key Positions (See Table I)	A = Normal B = Pos. B C = Pos. C D = Pos. D E = Pos. E F = Pos. F					

Table I: Key Positions		
Key Position	Key Rotation	
	A	B
Normal (A)	150°	210°
B	75°	210°
C	95°	230°
D	140°	275°
E	75°	275°
F	95°	210°



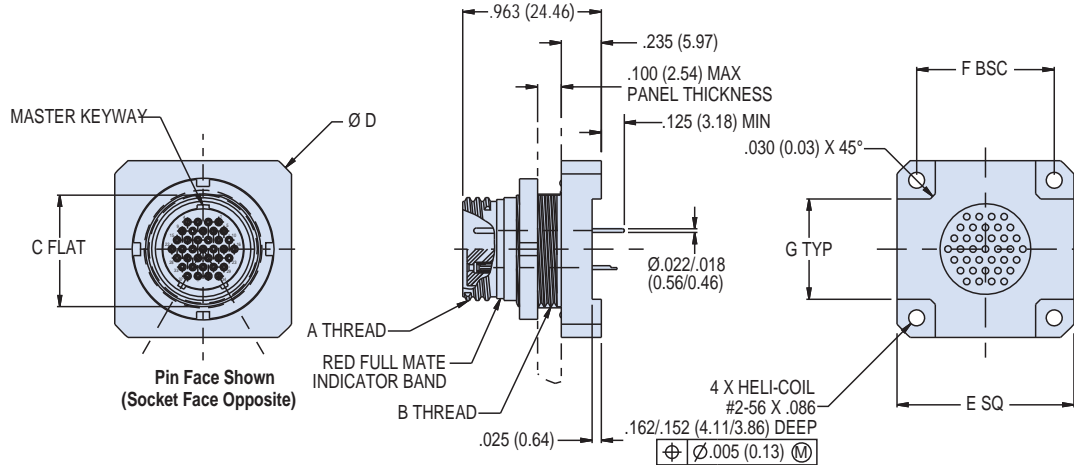

Dimensions in Inches (millimeters) are subject to change without notice.



# Series 805 Mighty Mouse Triple-Start ACME Thread Square Flange Jam Nut PCB Receptacle

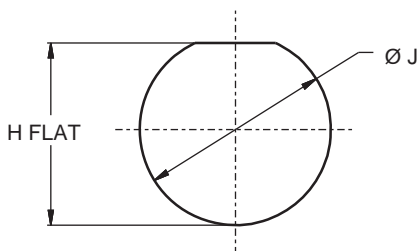
805-067 Shell Style -07 Dimensions

## Jam nut, rear panel mount receptacle - shell style 07



Dimensions												
Shell Size	A Thread	B Thread	C Flat		Ø D		E SQ		F BSC		G Typ	
			In.	mm.	In.	mm.	In.	mm.	In.	mm.	In.	mm.
8	.5000-.1P-.3L-TS	.5625-28 UNEF-2A	.535	13.59	.920	23.37	.729	18.52	.496	12.60	.276	7.01
9	.5625-.1P-.3L-TS	.6875-28 UN-2A	.661	16.79	1.110	28.19	.859	15.93	.627	15.93	.407	10.34
10	.6250-.1P-.3L-TS	.6875-28 UN-2A	.661	16.79	1.110	28.19	.859	15.93	.627	15.93	.407	10.34
11	.6875-.1P-.3L-TS	.7500-28 UN-2A	.721	18.31	1.200	30.48	.930	23.62	.698	17.73	.478	12.14
12	.7500.1P-.3L-TS	.8125-28 UN-2A	.784	19.91	1.370	34.80	1.044	26.52	.812	20.62	.592	15.04
13	.8125-.1P-.3L-TS	.8750-28 UN-2A	.843	21.41	1.420	36.07	1.085	27.56	.853	21.67	.633	16.08
15	.9375.1P-.3L-TS	1.0000-28 UN-2A	.970	24.64	1.560	39.62	1.175	29.85	.943	23.95	.723	18.36
18	1.1250.1P-.3L-TS	1.1875-28 UN-2A	1.147	29.13	1.800	45.72	1.351	34.32	1.119	28.42	.899	22.83
19	1.1875-.1P-.3L-TS	1.2500-28 UN-2A	1.221	31.01	1.880	47.75	1.407	35.74	1.175	29.85	.955	24.26
21	1.3125-.1P-.3L-TS	1.3750-28 UN-2A	1.350	34.29	2.090	53.09	1.550	39.37	1.318	33.48	1.098	27.89
23	1.4375-.1P-.3L-TS	1.5000-28 UN-2A	1.470	37.34	2.270	57.66	1.680	42.67	1.448	36.78	1.228	31.19

Jam Nut Panel Cutout				
Shell Size	H Flat		Ø J	
	In.	mm.	In.	mm.
8	.545/.541	13.84/13.74	.573	14.55
9	.671/.667	17.04/16.94	.698	17.73
10	.671/.667	17.04/16.94	.698	17.73
11	.731/.727	18.57/18.47	.760	19.30
12	.794/.790	20.17/20.07	.823	20.90
13	.853/.849	21.67/21.56	.885	22.48
15	.980/.976	24.89/24.79	1.010	25.65
18	1.157/1.153	29.39/29.29	1.198	30.43
19	1.231/1.227	31.27/31.17	1.260	32.00
21	1.360/1.357	34.54/34.47	1.385	35.18
23	1.480/1.476	37.59/37.49	1.510	38.35



Dimensions in Inches (millimeters) are subject to change without notice.

# Series 805 Mighty Mouse Triple-Start ACME Thread Right Angle PCB Receptacle 805-011 Ordering Information



Series 805



## Right Angle PCB Receptacle

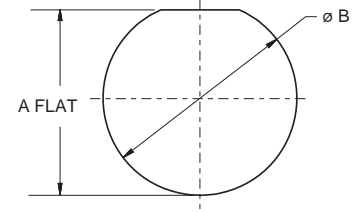
connectors offer military grade performance in a small, lightweight package. These connectors are rated for MIL-STD-810 Method 512 immersion. High temperature thermoplastic housing withstands soldering temperatures. Stainless steel threaded inserts simplify attachment to printed circuit board.

- Triple-Start ACME Thread
- Right Angle Contacts
- High Temperature Housing
- Threaded Inserts
- Environmentally Sealed

How To Order						
Sample Part Number	805-011	-07	M	8-7	S	A
Series	805-011 = PCB Right Angle Receptacle					
Shell Style	-07 = Jam Nut for Rear Panel Mounting (See Table II)					
Shell Material and Finish	C = Aluminum / Black Anodize (Non-Conductive); RoHS Compliant M = Aluminum / Electroless Nickel; RoHS Compliant NF = Aluminum / Cadmium with Olive Drab Chromate ZNU = Aluminum / Zinc-Nickel with Black Chromate Z1 = Stainless Steel / Passivated; RoHS Compliant					
Shell Size - Insert Arrangement	8-1, 8-4, 8-6, 8-7, 9-1, 9-10, 10-2, 10-13, 11-4, 11-19, 11-200, 12-2, 12-5, 12-201					
Contact Type	P = Pin, PC Tail      S = Socket, PC Tail					
Shell Key Positions (See Table I)	A = Normal   B = Pos. B   C = Pos. C   D = Pos. D   E = Pos. E   F = Pos. F					

Table I: Key Positions		
Key Position	Key Rotation	
	A	B
Normal (A)	150°	210°
B	75°	210°
C	95°	230°
D	140°	275°
E	75°	275°
F	95°	210°

Jam Nut Panel Cutout				
Shell Size	A Flat		Ø B	
	In. ± .002	mm. ± 0.05	In. ± .005	mm. ± 0.13
8	.545	13.84	.572	14.53
9	.671	17.04	.698	17.73
10	.671	17.04	.698	17.73
11	.731	18.57	.760	19.30
12	.794	20.17	.822	20.88

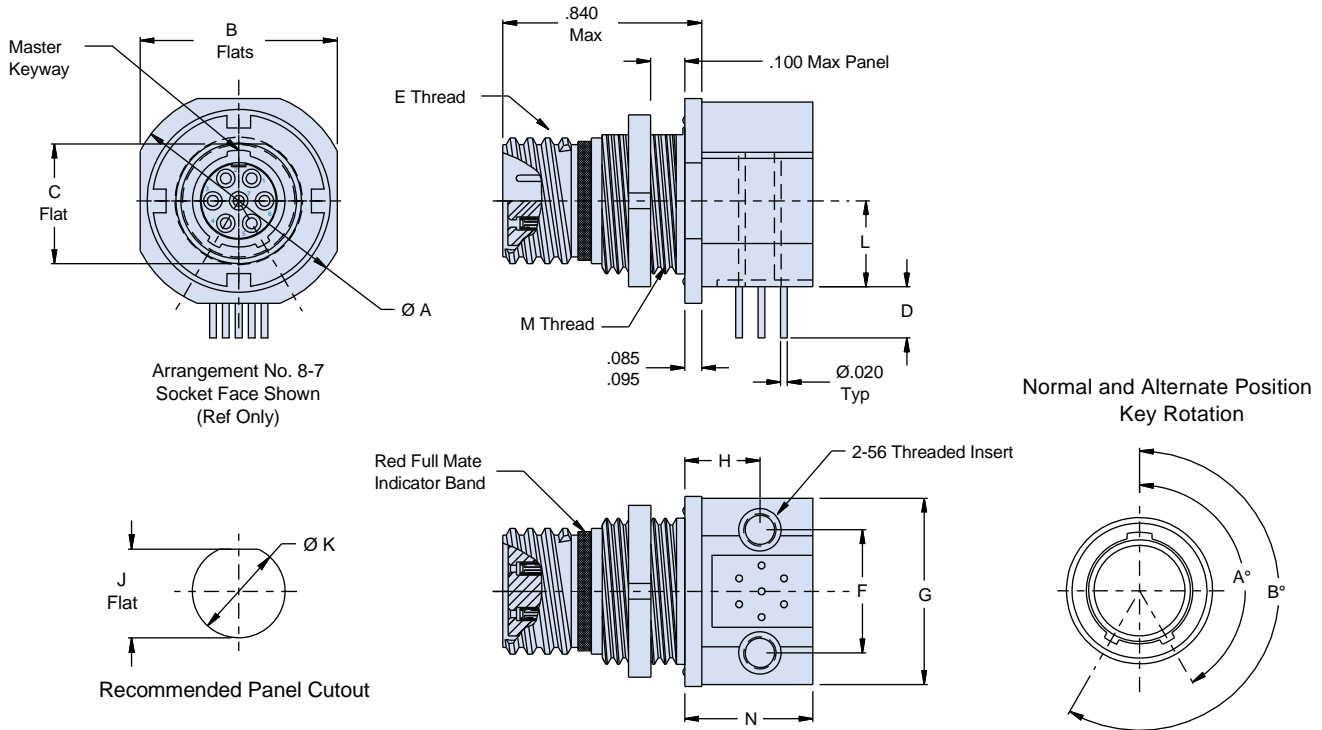


Dimensions in Inches (millimeters) are subject to change without notice.



# Series 805 Mighty Mouse Triple-Start ACME Thread Right Angle PCB Receptacle 805-011 Shell Style -07 Dimensions

## Jam nut mount receptacle - shell style 07



### Dimensions

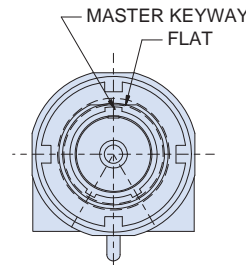
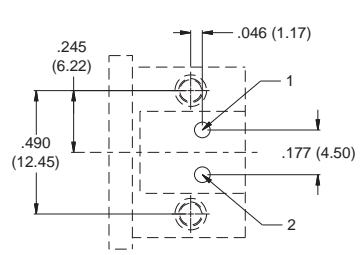
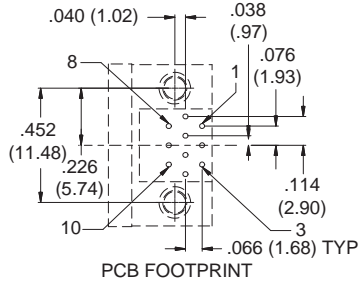
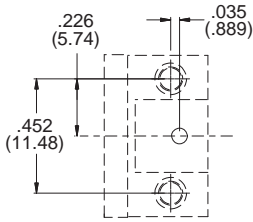
Shell Size	A		B		C ±.002		D ±.035		E Thread	F		G		H ±.055		J Flat +.004 -.000		Ø K		L		M Thread		N	
	in	mm	in	mm	in	mm	in	mm		in	mm	in	mm	in	mm	in	mm	in	mm	in	mm	in	mm	in	mm
8-1	0.76	19.30	0.73	18.54	0.536	13.61	0.292	7.42	.5000-1P-3L-TS	.385	9.78	.589	14.96	.314	7.98	.542	13.77	.573	14.55	.225	5.72	.5625-28 UN-2A	.435	11.05	
8-4	0.76	19.30	0.73	18.54	0.536	13.61	0.292	7.42	.5000-1P-3L-TS	.385	9.78	.589	14.96	.314	7.98	.542	13.77	.573	14.55	.225	5.72	.5625-28 UN-2A	.435	11.05	
8-6 8-7	0.76	19.30	0.73	18.54	0.536	13.61	0.265	6.73	.5000-1P-3L-TS	.408	10.36	.589	14.96	.277	7.04	.542	13.77	.573	14.55	.225	5.72	.5625-28 UN-2A	.435	11.05	
9-1	0.88	22.35	0.85	21.59	0.662	16.81	0.273	6.93	.5625-1P-3L-TS	.452	11.48	.710	18.03	.260	6.60	.668	16.97	.698	17.73	.296	7.52	.6875-28 UN-2A	.435	11.05	
9-10	0.88	22.35	0.85	21.59	0.662	16.81	0.273	6.93	.5625-1P-3L-TS	.452	11.48	.710	18.03	.260	6.60	.668	16.97	.698	17.73	.296	7.52	.6875-28 UN-2A	.435	11.05	
10-2	0.88	22.35	0.85	21.59	0.664	16.87	0.305	7.75	.6250-1P-3L-TS	.490	12.45	.710	18.03	.320	8.13	.668	16.97	.698	17.73	.320	8.13	.6875-28 UN-2A	.580	14.73	
10-13	0.88	22.35	0.85	21.59	0.662	16.81	0.305	7.75	.6250-1P-3L-TS	.490	12.45	.710	18.03	.320	8.13	.668	16.97	.698	17.73	.320	8.13	.6875-28 UN-2A	.580	14.73	
11-4	0.952	24.18	0.925	23.50	0.722	18.34	0.24	6.10	.6875-1P-3L-TS	.600	15.24	.800	20.32	.432	10.97	.728	18.49	.760	19.30	.362	9.19	.7500-28 UN-2A	.580	14.73	
11-19	0.952	24.18	0.925	23.50	0.722	18.34	0.275	6.99	.6875-1P-3L-TS	.600	15.24	.800	20.32	.432	10.97	.728	18.49	.760	19.30	.362	9.19	.7500-28 UN-2A	.580	14.73	
11-200	0.952	24.18	0.925	23.50	0.722	18.34	0.255	6.48	.6875-1P-3L-TS	.600	15.24	.800	20.32	.432	10.97	.728	18.49	.760	19.30	.362	9.19	.7500-28 UN-2A	.580	14.73	
12-2	1.06	26.92	1.035	26.29	0.784	19.91	0.299	7.59	.7500-1P-3L-TS	.640	16.26	.840	21.34	.452	11.48	.790	20.07	.823	20.90	.397	10.08	.8125-28 UN-2A	.660	16.76	
12-5	1.06	26.92	1.035	26.29	0.784	19.91	0.255	6.48	.7500-1P-3L-TS	.640	16.26	.840	21.34	.452	11.48	.790	20.07	.823	20.90	.397	10.08	.8125-28 UN-2A	.660	16.76	
12-201	1.06	26.92	1.035	26.29	0.784	19.91	0.294	7.47	.7500-1P-3L-TS	.640	16.26	.840	21.34	.452	11.48	.790	20.07	.823	20.90	.397	10.08	.8125-28 UN-2A	.660	16.76	

Dimensions in Inches (millimeters) are subject to change without notice.

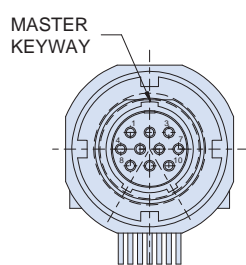
# Series 805 Mighty Mouse Triple-Start ACME Thread Right Angle PCB Receptacle 805-011 Shell Style -07 Dimensions



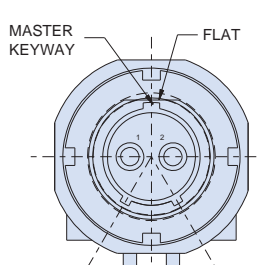
Series 805



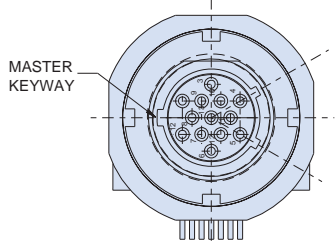
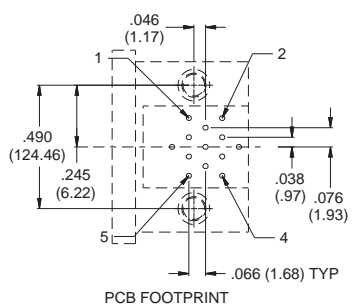
ARRANGEMENT NO. 9-1  
(1 #12 CONTACT)  
SOCKET FACE SHOWN  
(PIN FACE OPPOSITE)



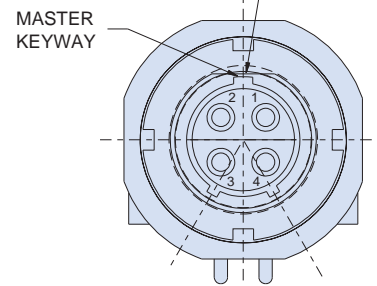
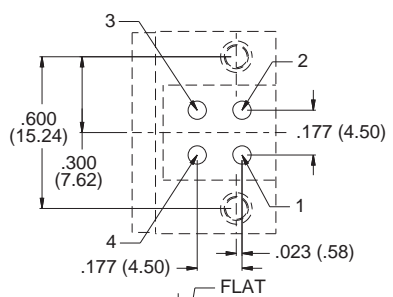
ARRANGEMENT NO. 9-10  
(10 #23 CONTACTS)  
SOCKET FACE SHOWN  
(PIN FACE OPPOSITE)



ARRANGEMENT NO. 10-2  
(2 #16 CONTACTS)  
SOCKET FACE SHOWN  
(PIN FACE OPPOSITE)



ARRANGEMENT NO. 10-13  
(13 #23 CONTACTS)  
SOCKET FACE SHOWN  
(PIN FACE OPPOSITE)



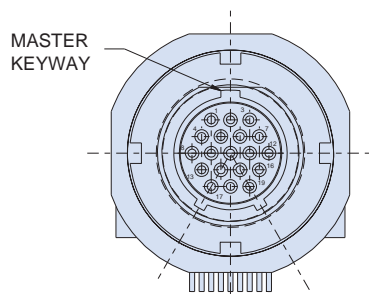
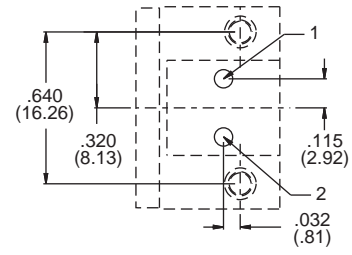
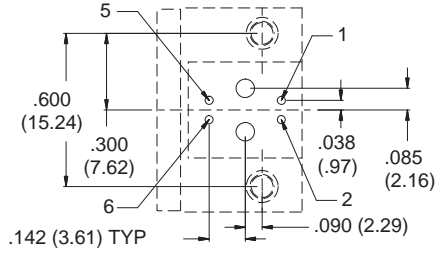
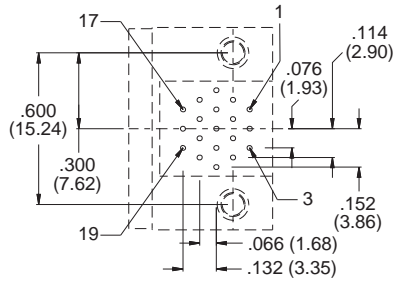
ARRANGEMENT NO. 11-4  
(4 #16 CONTACTS)  
SOCKET FACE SHOWN  
(PIN FACE OPPOSITE)

Dimensions in Inches (millimeters) are subject to change without notice.

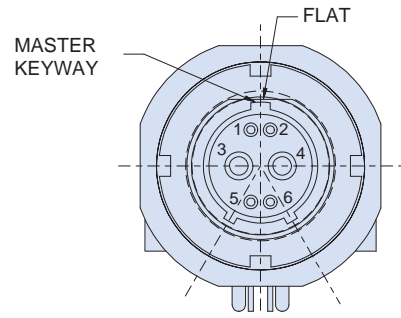




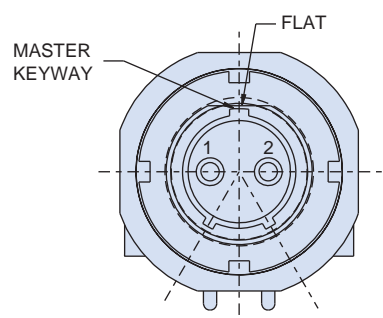
# Series 805 Mighty Mouse Triple-Start ACME Thread Right Angle PCB Receptacle 805-011 Shell Style -07 Dimensions



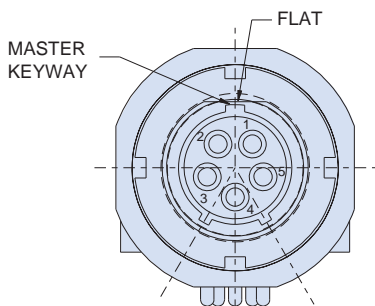
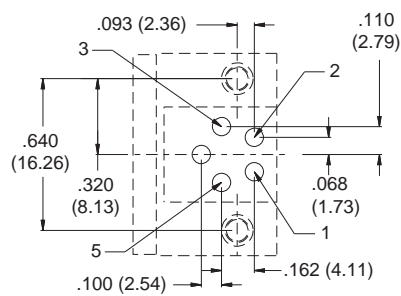
ARRANGEMENT NO. 11-19  
(19 #23 CONTACTS)  
SOCKET FACE SHOWN



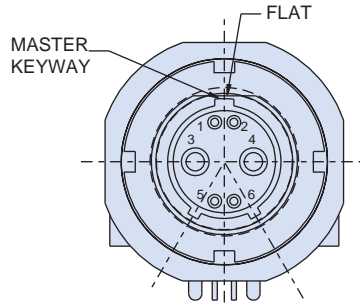
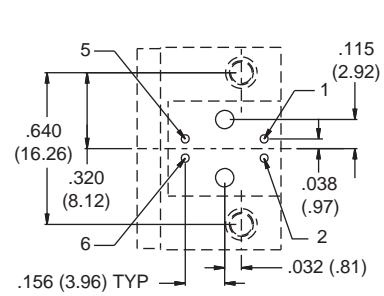
ARRANGEMENT NO. 11-200  
(2 #16, 4 #23 CONTACTS)  
SOCKET FACE SHOWN  
PIN FACE OPPOSITE)



ARRANGEMENT NO. 12-2  
(2 #12 CONTACTS)  
SOCKET FACE SHOWN



ARRANGEMENT NO. 12-5  
(5 #16 CONTACTS)  
SOCKET FACE SHOWN



ARRANGEMENT NO. 12-201  
(2 #12, 4 #23 CONTACTS)  
SOCKET FACE SHOWN  
(PIN FACE OPPOSITE)

Dimensions in Inches (millimeters) are subject to change without notice.





# Series 805 Mighty Mouse Triple-Start ACME Thread CAT-MASTER™ 10Gbase-T CAT 6 & 7 Plug 805-109 Ordering Information



Series 805



**CAT-MASTER™** offers improved signal integrity, reduced crosstalk, and enhanced attenuation performance compared to standard shielded contacts within a size 12 plug.

**Unique Design** four twin contact inserts in a common ground plane deliver optimized 100 Ohm matched impedance resulting in low crosstalk for high performance applications such as 10+ Gigabit Ethernet, HDMI/DVI video, FibreChannel, eSATA and PCI Express

How To Order					
Sample Part Number		805-109	-1	M	A
Series	805-109 = Plug				
Cable Type (See Table II)	-1 = CAT 6, SF/UTP, 26-23 AWG -2 = CAT 6, U/STP, 26-23 AWG -3 = CAT 7, S/FTP, 26-23 AWG -4 = CAT 7, S/FTP, 26-23 AWG				
Shell Material and Finish	M = Aluminum / Electroless Nickel; RoHS Compliant MT = Aluminum / Nickel-PTFE RoHS Compliant NF = Aluminum / Cadmium with Olive Drab Chromate ZNU = Aluminum / Zinc-Nickel with Black Chromate				
Shell Key Position (See Table I)	A = Normal B = Pos. B C = Pos. C D = Pos. D E = Pos. E F = Pos. F				

## NOTES

### Performance Specifications

CAT 7 cable: meets electrical transmission requirements per IEC 11801

Characteristic	@ 1 MHz	@ 100 MHz	@ 250 MHz	@ 600 MHz
Min Return Loss (dB)	30	28	20	12.4
Max Insertion Loss (dB)	0.10	0.20	0.32	0.49
Min Next (dB)	80	72.4	66.4	60.7

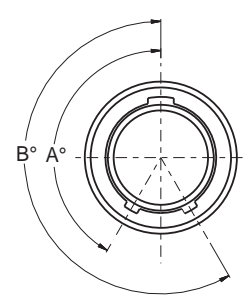
CAT 6A cable: meets electrical transmission requirements per TIA-568-C.2

Characteristic	@ 1 MHz	@ 100 MHz	@ 250 MHz	@ 600 MHz
Min Return Loss (dB)	30	28	20	14
Max Insertion Loss (dB)	0.10	0.20	0.32	0.45
Min Next (dB)	75	54	46	34

- Contact sub-assembly electrical characteristics per IEC 11801:
  - Min. Insulation resistance: 100 megohms at 500 VDC
  - Contact to contact proof voltage: 1000 VDC

Table I: Key Positions

Key Position	Key Rotation	
	A	B
Normal (A)	150°	210°
B	75°	210°
C	95°	230°
D	40°	275°
E	75°	275°
F	95°	210°

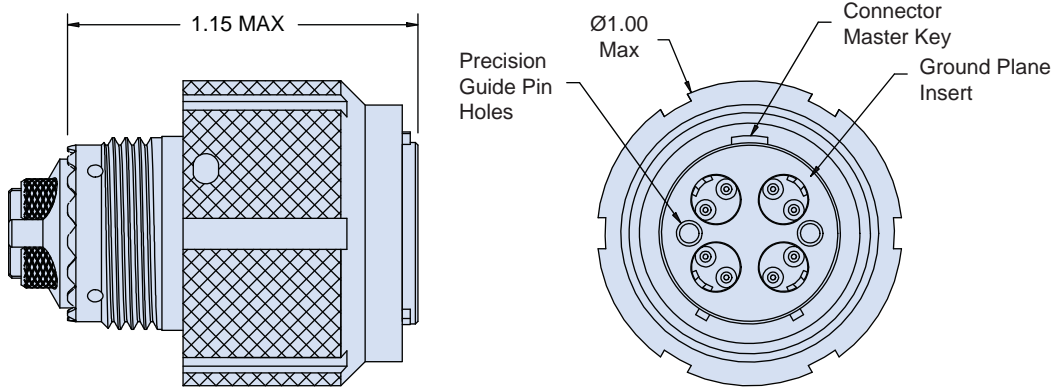


Dimensions in Inches (millimeters) are subject to change without notice.



Series 805 Mighty Mouse Triple-Start ACME Thread  
**CAT-MASTER™ 10Gbase-T CAT 6 & 7 Plug**  
 805-109 Dimensions

**100 ohm matched impedance receptacle, size 12 ground plane insert**



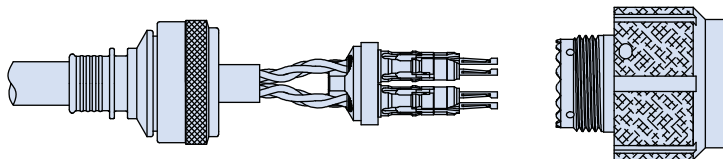
Connector shown less backshell and cable

Face view of plug viewed from engaging end

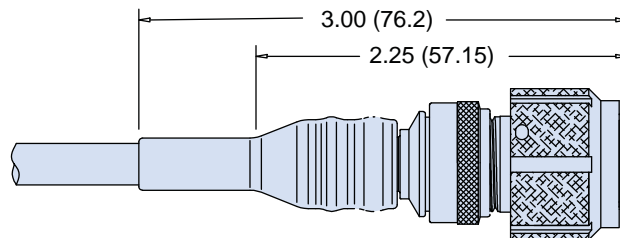
**Table II: High Speed Cable Options**

Cable Type	For Use with Cable P/N <sup>1</sup>	Cable Category	Cable Construction	Conductor AWG Range <sup>2</sup>	Max Wire Insulation Ø	Cable Ø Range	Assembly Instructions
1	963-003 (24AWG, .275 OD)	CAT6	SF/UTP	26-23	0.050	.250-.311	AI805-110-A
2	963-015 (26AWG, .255 OD)	CAT6	U/STP	26-23	0.050	.250-.311	AI805-110-B
3	963-004 (23AWG, .295 OD)	CAT7	S/FTP	26-23	0.064	.250-.311	AI805-110-C
4	963-016 (23AWG, .319 OD)	CAT7	S/FTP	26-23	0.064	.312-.387	AI805-110-C

1. Consult factory for use with other cable part numbers, which match all characteristics shown, for a specific cable type  
 2. Extra Pin Contacts can be ordered under Glenair P/N 850-058. Maximum wire conductor diameter is .025 inches.



View Shown with Twinax Contacts Terminated to SF/UTP Type Cable, Prior to Installation Into Connector Shell (Shown less shrink boot)



Connector shown terminated to cable complete with backshell and shrink boot

Dimensions in Inches (millimeters) are subject to change without notice.

H

# Series 805 Mighty Mouse Triple-Start ACME Thread CAT-MASTER™ 10Gbase-T CAT 6 & 7 Receptacle 805-110 Dimensions



Series 805

**CAT-MASTER™** series 805 receptacle is available with CAT 6 or CAT 7 cable and offers improved signal integrity, reduced crosstalk, and enhanced attenuation performance compared to standard shielded contacts.

**Unique Design** four twin contact inserts in a common ground plane deliver optimized 100 Ohm matched impedance resulting in low crosstalk for high performance applications such as 10+ Gigabit Ethernet, HDMI/DVI video, FibreChannel, eSATA and PCI Express

How To Order	
Sample Part Number	805-110 -1 M A
Series	805-110 = In-Line Receptacle
Cable Type (See Table II)	-1 = CAT 6, SF/UTP, 26-23 AWG -2 = CAT 6, U/STP, 26-23 AWG -3 = CAT 7, S/FTP, 26-23 AWG -4 = CAT 7, S/FTP, 26-23 AWG
Shell Material and Finish	M = Aluminum / Electroless Nickel; RoHS Compliant MT = Aluminum / Nickel-PTFE RoHS Compliant NF = Aluminum / Cadmium with Olive Drab Chromate ZNU = Aluminum / Zinc-Nickel with Black Chromate
Shell Key Position (See Table I)	A = Normal B = Pos. B C = Pos. C D = Pos. D E = Pos. E F = Pos. F

## NOTES

### Performance Specifications

CAT 7 Cable: meets electrical transmission requirements per IEC 11801

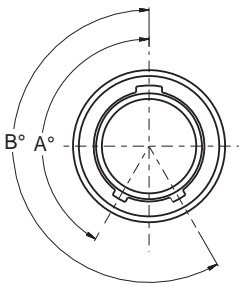
Characteristic	@ 1 MHz	@ 100 MHz	@ 250 MHz	@ 600 MHz
Min Return Loss (dB)	30	28	20	12.4
Max Insertion Loss (dB)	0.10	0.20	0.32	0.49
Min Next (dB)	80	72.4	66.4	60.7

CAT 6A Cable: meets electrical transmission requirements per TIA-568-C.2

Characteristic	@ 1 MHz	@ 100 MHz	@ 250 MHz	@ 600 MHz
Min Return Loss (dB)	30	28	20	14
Max Insertion Loss (dB)	0.10	0.20	0.32	0.45
Min Next (dB)	75	54	46	34

Table I: Key Positions

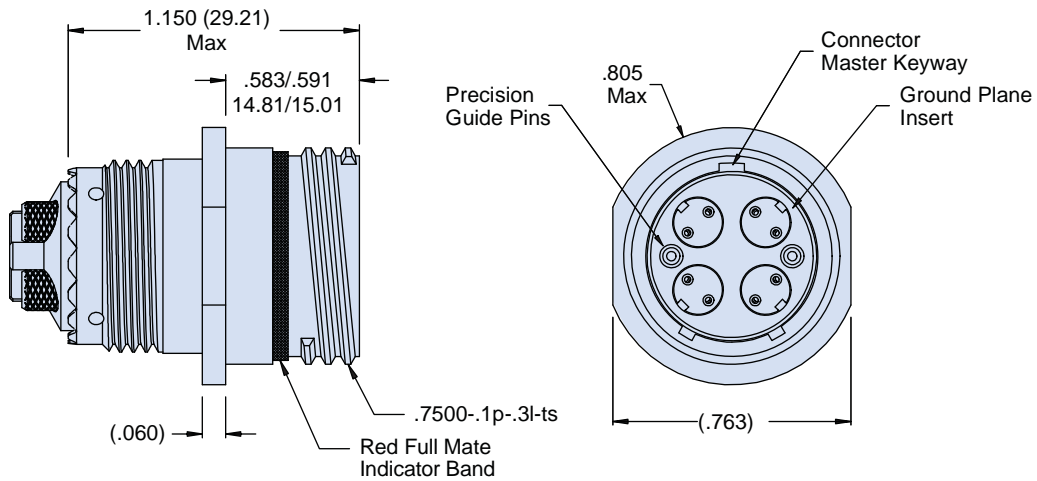
Key Position	Key Rotation	
	A	B
Normal (A)	150°	210°
B	75°	210°
C	95°	230°
D	40°	275°
E	75°	275°
F	95°	210°



Dimensions in Inches (millimeters) are subject to change without notice.

# Series 805 Mighty Mouse Triple-Start ACME Thread 10Gbase-T CAT 6 & 7 Receptacle 805-110 Dimensions

## 100 ohm matched impedance receptacle, size 12 ground plane insert



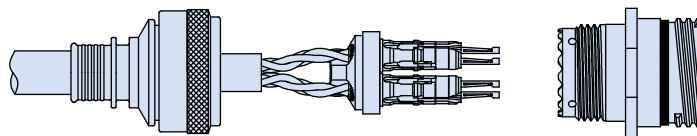
Connector Shown Less  
Backshell and Cable

Face View Of Receptacle  
As Viewed From Engaging End

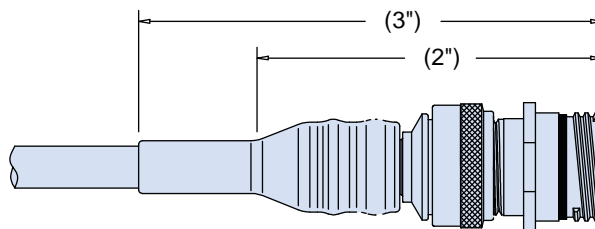
Table II: High Speed Cable Options

Cable Type	For Use with Cable P/N1	Cable Category	Cable Construction	Conductor AWG Range2	Max Wire Insulation Ø	Cable Ø Range	Assembly Instructions
1	963-003 (24AWG, .275 OD)	CAT6	SF/UTP	26-23	0.050	.250-.311	AI805-110-A
2	963-015 (26AWG, .255 OD)	CAT6	U/STP	26-23	0.050	.250-.311	AI805-110-B
3	963-004 (23AWG, .295 OD)	CAT7	S/FTP	26-23	0.064	.250-.311	AI805-110-C
4	963-016 (23AWG, .319 OD)	CAT7	S/FTP	26-23	0.064	.312-.387	AI805-110-C

1. Consult factory for use with other cable part numbers, which match all characteristics shown, for a specific cable type
2. Extra Pin Contacts can be ordered under Glenair P/N 850-058. Maximum wire conductor diameter is .025 inches.



View Shown with Twinax Contacts  
Terminated To SF/UTP Type Cable, Prior  
To Installation Into Connector Shell  
(Shown less shrink boot)



Connector shown terminated to cable  
complete with backshell and shrink boot

Dimensions in Inches (millimeters) are subject to change without notice.

# Series 805 Mighty Mouse Triple-Start ACME Thread CAT-MASTER™ 10Gbase-T CAT 6 & 7 PCB Receptacle

## 805-111 Ordering Information



Series 805



**CAT-MASTER™** series 805 receptacle is available with CAT 6 or CAT 7 cable and offers improved signal integrity, reduced crosstalk, and enhanced attenuation performance compared to standard shielded contacts.

**Unmated Water Immersion**, For MIL-STD-810 Method 512G immersion requirements, specify mod code "MOD-518". These connectors are 100% tested to maintain a helium leak rate of  $1 \times 10^{-4}$  cc/second at one atmosphere pressure differential from -40C to +70C.

How To Order	
<b>Sample Part Number</b>	805-111 -02 M A
<b>Series</b>	805-111 = PC Tail Receptacle
<b>Shell Style</b>	-02 = Square Flange -07 = Rear Panel Mount Jam Nut
<b>Shell Material and Finish</b>	M = Aluminum / Electroless Nickel; RoHS Compliant MT = Aluminum / Nickel-PTFE RoHS Compliant NF = Aluminum / Cadmium with Olive Drab Chromate ZNU = Aluminum / Zinc-Nickel with Black Chromate
<b>Shell Key Position (See Table I)</b>	A = Normal B = Pos. B C = Pos. C D = Pos. D E = Pos. E F = Pos. F
<b>Sealing Level (Open Face)</b>	Omit = IP64, "Splash Proof" 518 = IP67 Mod Code 518 Connector Tested 100% For Helium Leak Rate Of $1 \times 10^{-4}$ CC/Second Max at One Atmosphere Pressure Differential

### NOTES

#### Performance Specifications

When mated to 805-109 plug, connector meets electrical transmission requirements per IEC 11801 (Ref. CAT 7)

Characteristic	@ 1 MHz	@ 100 MHz	@ 250 MHz	@ 600 MHz
Min Return Loss (dB)	30	28	20	12.4
Max Insertion Loss (dB)	0.10	0.20	0.32	0.49
Min Next (dB)	80	72.4	66.4	60.7

Table I: Shell Style

-02 Square Flange	-07 Jam Nut

Table I: Key Positions

Key Position	Key Rotation	
	A	B
Normal (A)	150°	210°
B	75°	210°
C	95°	230°
D	40°	275°
E	75°	275°
F	95°	210°

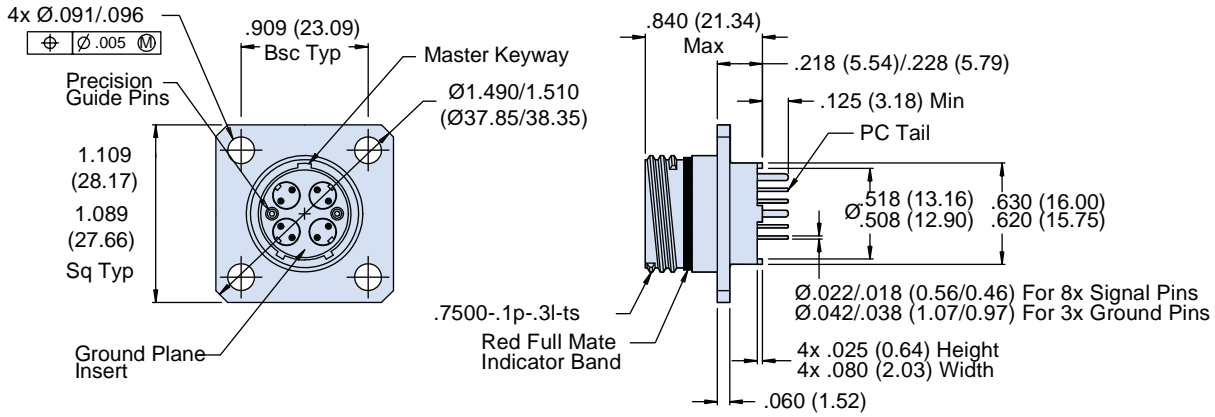
Dimensions in Inches (millimeters) are subject to change without notice.



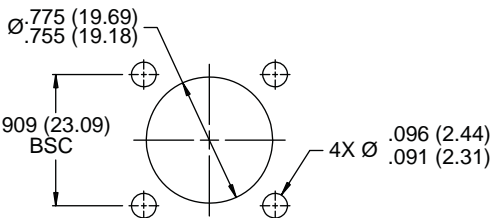
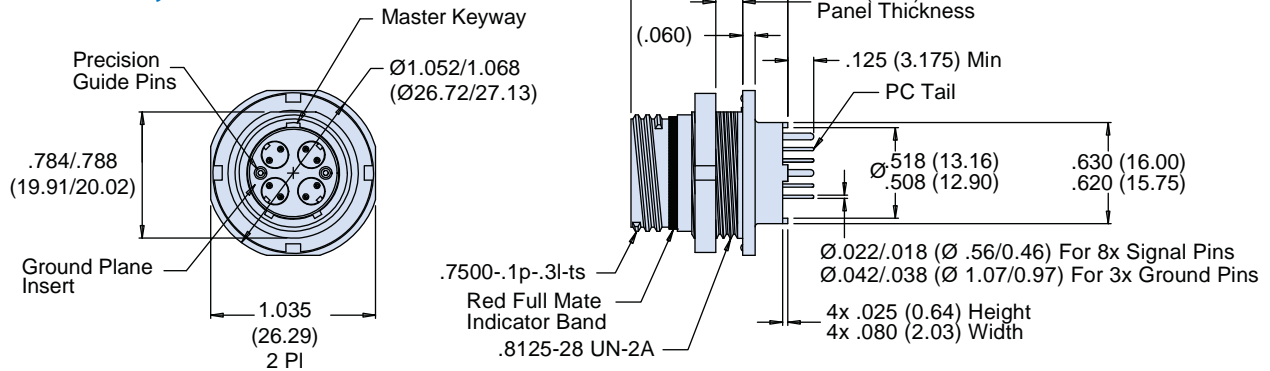
# Series 805 Mighty Mouse Triple-Start ACME Thread CAT-MASTER™ 10Gbase-T CAT 6 & 7 PCB Receptacle 805-111 Dimensions

## Size 12 ground plane insert receptacle, 100 ohm matched impedance

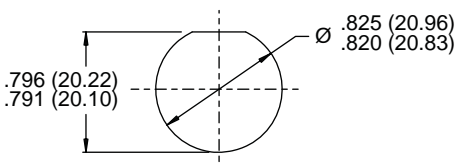
### Square Flange - Shell Style 02



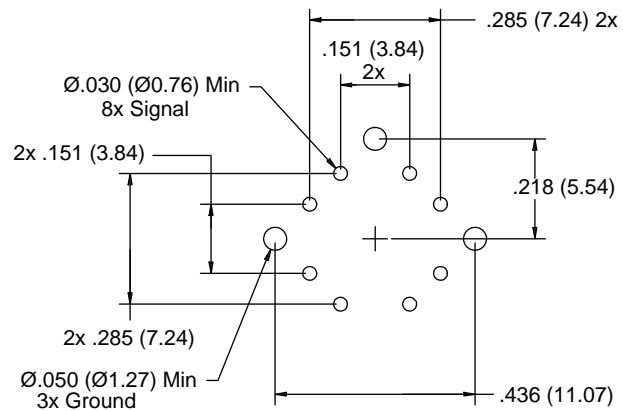
### Jam Nut - Shell Style 02



### -02 Shell Style Recommended Panel Cutout



### -07 Shell Style Recommended Panel Cutout



### PCB Hole Pattern

Dimensions in Inches (millimeters) are subject to change without notice.

# Series 805 Mighty Mouse Triple-Start ACME Thread Bulkhead Feed-Thru Receptacle

## 805-066 Ordering Information



Series 805

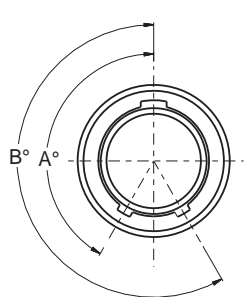


**Series 805 bulkhead Feed-Thru Receptacle** is available in shell sizes 8 to 23 and mates with all high density triple-start threaded connectors with the same polarization and opposite contact genders (805-001 and 805-002). Copper alloy gold-plated contacts, pin to pin, pin to socket or socket to socket. Your choice of aluminum alloy or stainless steel and seven standard finishes. Please contact the factory for other materials and finishes.

How To Order							
Sample Part Number	805-066	-07	M	8-7	P	P	N
Series	805-066 = Bulkhead Feedthru Receptacle						
Shell Style	-07 = Jam Nut for Rear Panel Mounting						
Shell Material and Finish	C = Aluminum / Black Anodize (Non-Conductive); RoHS Compliant M = Aluminum / Electroless Nickel; RoHS Compliant MT = Aluminum / Nickel-PTFE RoHS Compliant NF = Aluminum / Cadmium with Olive Drab Chromate ZN = Aluminum / Zinc-Nickel with Olive Drab Chromate ZNU = Aluminum / Zinc-Nickel with Black Chromate Z1 = Stainless Steel / Passivated; RoHS Compliant						
Shell Size - Insert Arrangement	See Contact Arrangements Page H-2						
Contact Type* (Jam Nut Side)	P = Pin S = Socket						
Contact Type* (Other Side)	P = Pin S = Socket						
Shell Key Position (See Table I)	A = Normal B = Pos. B C = Pos. C D = Pos. D E = Pos. E F = Pos. F						

\* Connector with PP and SS contact styles will cause the arrangement pattern to be mirrored about the vertical centerline.

Table I: Key Positions		
Key Position	Key Rotation	
	A	B
Normal (A)	150°	210°
B	75°	210°
C	95°	230°
D	140°	275°
E	75°	275°
F	95°	210°



Dimensions in Inches (millimeters) are subject to change without notice.



Series 805 Mighty Mouse Triple-Start ACME Thread Bulkhead Feed-Thru Receptacle  
805-066-07 Shell Style -07 Dimensions

Rear panel, jam nut mount

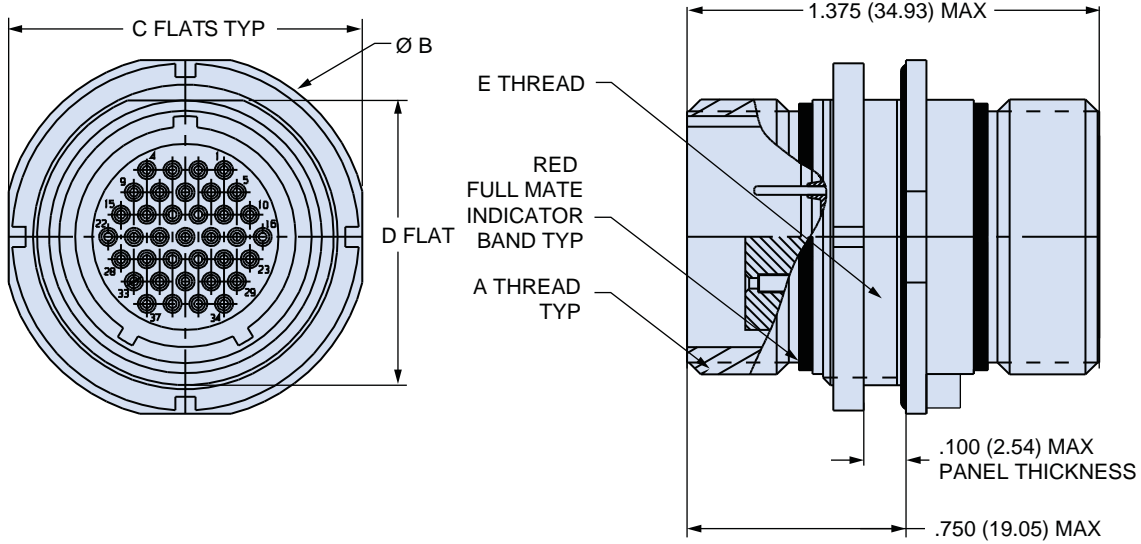
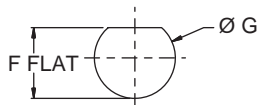


Table II: Dimensions

Shell Size	A Thread	Ø B		C Flat		D Flat		E Thread	F Flat		Ø G	
		In.	mm.	In.	mm.	In.	mm.		In. ±.002	mm. ±.05	In.	mm.
8	.5000-1P-.31L-TS	.760	19.30	.730	18.54	.535	13.59	.5625-28 UNEF-2A	.543	0.54	.573	0.57
9	.5625-1P-.31L-TS	.880	22.35	.850	21.59	.661	16.79	.6875-28 UN-2A	.669	0.67	.698	0.70
10	.6250-1P-.31L-TS	.880	22.35	.850	21.59	.661	16.79	.6875-28 UN-2A	.669	0.67	.698	0.70
11	.6875-1P-.31L-TS	.955	24.26	.925	23.50	.721	18.31	.7500-28 UN-2A	.729	0.73	.760	0.76
12	.7500-1P-.31L-TS	1.060	26.92	1.035	26.29	.784	19.91	.8125-28 UN-2A	.792	0.79	.823	0.82
13	.8125-1P-.31L-TS	1.120	28.45	1.090	27.69	.843	21.41	.8750-28 UN-2A	.851	0.85	.885	0.89
15	.9375-1P-.31L-TS	1.203	30.56	1.173	29.79	.970	24.64	1.0000-28 UN-2A	.978	0.98	1.010	1.01
18	1.1250-1P-.31L-TS	1.389	35.28	1.359	34.52	1.147	29.13	1.1875-28 UN-2A	1.155	1.16	1.198	1.20
19	1.1875-1P-.31L-TS	1.450	36.83	1.420	36.07	1.221	31.01	1.2500-28 UN-2A	1.229	1.23	1.260	1.26
21	1.3125-1P-.31L-TS	1.590	40.39	1.560	39.62	1.350	34.29	1.3750-28 UN-2A	1.360/ 1.357	34.54/ 34.47	1.385	1.39
23	1.4375-1P-.31L-TS	1.705	43.31	1.675	42.55	1.470	37.34	1.5000-28 UN-2A	1.478	1.48	1.510	1.51



RECOMMENDED PANEL CUTOUT

Dimensions in Inches (millimeters) are subject to change without notice.



# Series 805 Mighty Mouse Triple-Start ACME Thread Sav-Con® Saver

## 805-010 Ordering Information



**Glenair Sav-Con® Connector Savers** are designed to protect connectors that are subject to repeated mating and unmating cycles. Sav-Con® Connector Savers prevent costly repair or replacement of expensive connectors while preserving the quality and integrity of the connector by absorbing connect and disconnect abuse.

**Protect Equipment,** equipment connectors that are mated frequently during manufacturing, test, check-out phases and environmental test programs can be protected by Glenair Sav-Con® Connector Savers.

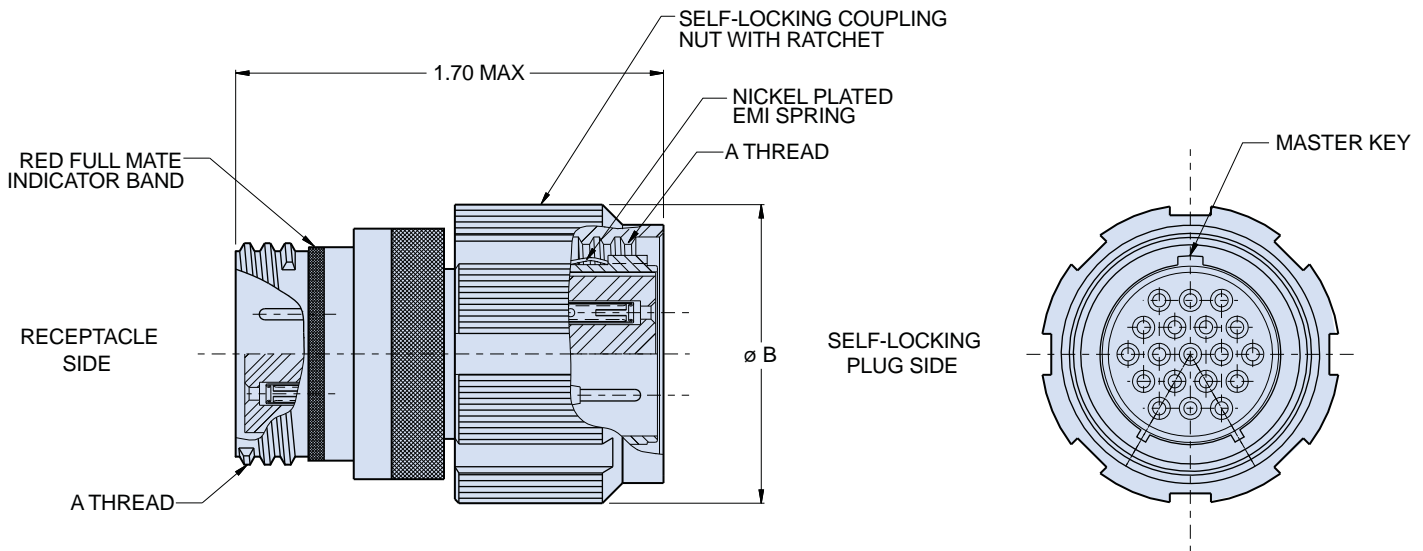
**Prolong the Service Life of Test Cables** Glenair Sav-Con® Connector Savers mated to test-cable connectors take the punishment of repetitive matings and unmatings.

How To Order					
Sample Part Number		<b>805-010</b>	<b>Z1</b>	<b>8-7</b>	<b>P A</b>
Series	<b>805-010</b> = Series 805 Connector Saver				
Shell Material and Finish	<b>C</b> = Aluminum / Black Anodize (Non-Conductive); RoHS Compliant <b>M</b> = Aluminum / Electroless Nickel; RoHS Compliant <b>MT</b> = Aluminum / Nickel-PTFE RoHS Compliant <b>NF</b> = Aluminum / Cadmium with Olive Drab Chromate <b>ZNU</b> = Aluminum / Zinc-Nickel with Black Chromate <b>Z1</b> = Stainless Steel / Passivated; RoHS Compliant				
Shell Size - Insert Arrangement	See Contact Arrangements Page H-2				
Contact Type * (Jam Nut Side)	<b>P</b> = Pin on Plug Side, Socket Contact on Receptacle Side <b>S</b> = Socket Contact on Plug Side, Pin Contact on Receptacle Side		<b>PP</b> = Pin on Both Sides <b>SS</b> = Socket on Both Sides		
Shell Key Position (See Table I)	<b>A</b> = Normal <b>B</b> = Pos. B <b>C</b> = Pos. C <b>D</b> = Pos. D <b>E</b> = Pos. E <b>F</b> = Pos. F				

Key Position	Key Rotation	
	A	B
Normal (A)	150°	210°
B	75°	210°
C	95°	230°
D	140°	275°
E	75°	275°
F	95°	210°

Dimensions in Inches (millimeters) are subject to change without notice.





Dimensions			
Shell Size	A Threads	Ø B	
		In.	mm.
8	.5000-1P-.3L-TS	.692	17.58
9	.5625-1P-.3L-TS	.789	20.04
10	.6250-1P-.3L-TS	.827	21.01
11	.6875-1P-.3L-TS	.918	23.32
12	.7500-1P-.3L-TS	.984	24.99
13	.8125-1P-.3L-TS	1.047	26.59
15	.9375-1P-.3L-TS	1.098	27.89
18	1.1250-1P-.3L-TS	1.287	32.69
19	1.1875-1P-.3L-TS	1.311	33.30
21	1.3125-1P-.3L-TS	1.448	36.78
23	1.4375-1P-.3L-TS	1.562	39.67

## NOTES

### Specifications

1. Current Rating: #23 5 A, #16 13 A, #12 23 A
2. Dielectric Withstanding Voltage:  
#23 750 VAC, #20HD 1000 VAC, #12 and #16 1800 VAC
3. Insulation Resistance: 5000 megohms minimum
4. Operating Temperature: -65° C. to +175° C.
5. Shock: 300 g.
6. Vibration: 37 g.
7. Shielding Effectiveness: 65 dB minimum from 1GHz to 10GHz.
8. Magnetic Permeability: 2.0 μ maximum
9. Durability: 2000 mating cycles

### Materials and Finishes

- Shell: Aluminum alloy or stainless steel
- Contacts: Copper alloy, 50 μinch gold plated
- Insulators: Liquid crystal polymer (LCP)
- Seal: Fluorosilicone rubber
- Ground Spring: Nickel-plated beryllium copper

Dimensions in Inches (millimeters) are subject to change without notice.

## Series 805 Harsh Environment Shielded Cordsets



High performance Mighty Mouse cordsets feature easy ordering and fast delivery. These fully shielded and watertight assemblies withstand abrasion, temperature extremes and chemicals. Flexible overmolding provides rugged, watertight protection to wire and shield. Two styles are available: **Style 1** polyamide overmold and polyurethane cable jacket, and **Style 2** improved temperature range, high flexibility thermoplastic rubber overmold and cable jacket. Overmolded Mighty Mouse cordsets are suitable for military gear and other hostile environments where interconnect reliability and survivability is essential.

### Product Features

- Single-ended or double-ended
- Rugged, watertight construction
- 100% electrically tested
- Flexible to -55°C. (Style 2)
- Stainless steel shield termination band
- Resistant to chemicals
- Withstands UV and ozone

### Harsh Environment Cordset Selection Guide

Property	Style 1 Polyurethane Jacket Polyamide Overmold	Style 2 Rubber Jacket Rubber Overmold
Cable jacket	Thermoplastic polyurethane (TPU), black	Thermoplastic elastomer (TPV), black
Overmold	Polyamide, black	Thermoplastic elastomer (TPV), black
Operating temperature	-30° C. to +105° C.	-55° C. to +135° C.
Flexibility	Good	Excellent
Water Resistance	Waterproof	Waterproof
Solvent Resistance, Cable Jacket	Excellent	Good
Solvent Resistance, Overmold	Fair (1)	Good
Weatherability	Excellent	Excellent
Abrasion Resistance	Excellent	Good
Flammability	Flame retardant UL 94 V-0	Flame retardant UL 94 HB
Low Smoke, Zero Halogen Cable Jacket	Yes	No
(1) Excellent resistance to most solvents, fuels, and oils; poor resistance to strong acids and bipolar solvents (alcohol)		

### Specifications

Cable jacket	Style 1: thermoplastic polyurethane, black, low-smoke, zero-halogen Style 2: thermoplastic elastomer, black
Overmold	Style 1: polyamide Style 2: thermoplastic elastomer, black
Cable shield	Tin-coated copper braid, 90% minimum coverage
Conductors	Silver coated stranded wire, TFE insulated, per M22759/11
Shield Termination	Band-Master™ ATS stainless steel shield termination band
Current rating	#23 5 amps, #20 7.5 amps, #16 13 amps, #12 23 amps
Test voltage (DWV)	#23 750 Vac, #20 750 vac, #16 and #12 1800 VAC sea level
Insulation resistance	200 Megohms minimum
Shielding effectiveness	50 dB minimum from 100MHz to 1000MHz.

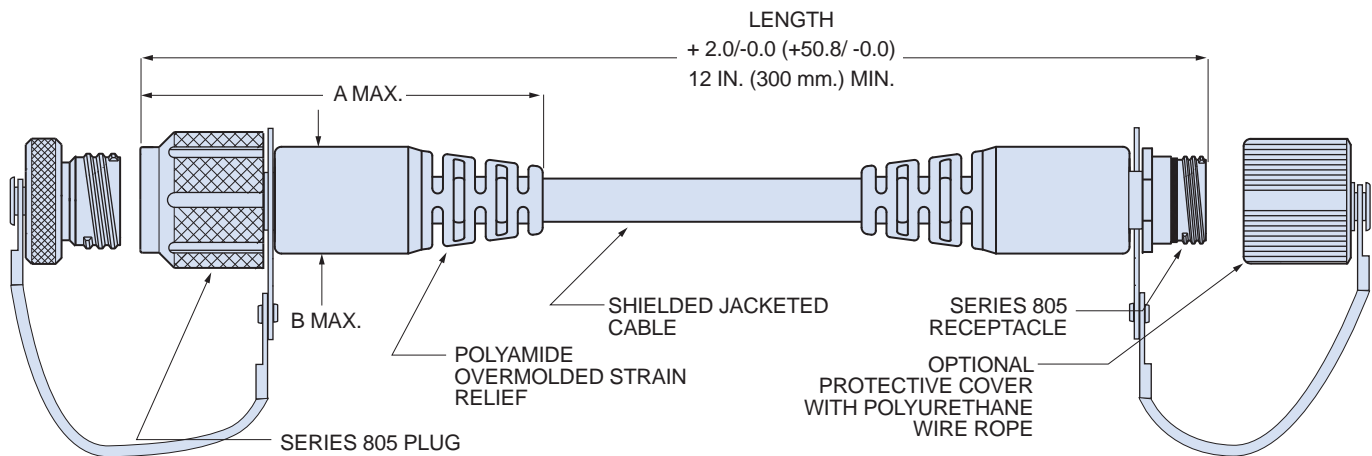
### High-Speed Cordsets

Controlled impedance twisted pair cordsets for Ethernet, USB and other protocols are available. Please refer to Section U

Dimensions in Inches (millimeters) are subject to change without notice.

# Series 805 Mighty Mouse Triple-Start ACME Thread Shielded Overmolded Harsh Environment Cordsets

## Dimensions



Dimensions				
Shell Size	A Max.		B Max.	
	In.	mm.	In.	mm.
8	2.62	66.55	0.5	12.70
9	2.70	68.58	0.55	13.97
10	2.80	71.12	0.65	16.51
11	2.80	71.12	0.65	16.51
12	2.90	73.66	0.71	18.03
15	3.10	78.74	0.82	20.83
18	3.42	86.87	1.1	27.94
19	3.42	86.87	1.1	27.94

### NOTES

1. Double-ended cordsets are wired pin #1 to pin #1, #2 to #2, and so on.
2. Wires are silver-coated stranded copper with TFE insulation, 600V, in accordance with M22759/11.
3. Wire color is white.

# Series 805 Mighty Mouse Triple-Start ACME Thread Shielded Overmolded Harsh Environment Cordsets

## 805-009, -018, -062, -063 Ordering Information



Series 805

Series 805 Cordsets with #23 Contacts								
Sample Part Number								
805-009	-A	C	2	M	8-28	N	A	-36
Series	End A Connector	End B Connector	Wire Size	Shell Material/ Finish	Insert Arr.	Protective Cover	Shell Key Pos.	Length
<b>805-009</b> Style 1 Polyurethane Cable Jacket, Polyamide Overmold	<b>-A</b> Plug, with Male Pin Contacts	<b>A</b> Plug, with Male Pin Contacts	<b>2</b> #22 AWG	<b>M</b> Aluminum / Electroless Nickel	See Insert Arr. page H-3	<b>P</b> Metal Protective Covers Included	<b>A</b> Normal	Overall Length In Inches 12 Inch Min.
	<b>-B</b> Plug, with Female Socket Contacts	<b>B</b> Plug, with Female Socket Contacts	<b>4</b> #24 AWG	<b>NF</b> Aluminum / Cadmium with OD Chromate		<b>N</b> No Covers Supplied	<b>B</b> Pos. B	
<b>805-062</b> Style 2 Rubber Cable Jacket and Overmold	<b>-C</b> Receptacle, with Male Pin Contacts	<b>C</b> Receptacle, with Male Pin Contacts		<b>ZNU</b> Aluminum / Zinc- Nickel with Black Chromate			<b>C</b> Pos. C	
	<b>-D</b> Receptacle, with Female Socket Contacts	<b>D</b> Receptacle, with Female Socket Contacts		<b>MT</b> Aluminum / Nickel-PTFE			<b>D</b> Pos. D	
		<b>N</b> No Connector (Single-Ended)		<b>Z1</b> Stainless Steel / Passivated			<b>E</b> Pos. E <b>F</b> Pos. F	
							See key positions on page H-5	

Series 805 Cordsets with #20HD Contacts								
Sample Part Number								
805-063	-A	C	0	M	8-28	N	A	-36
Series	End A Connector	End B Connector	Wire Size	Shell Material / Finish	Insert Arr.	Protective Cover	Shell Key Pos.	Length
<b>805-018</b> Style 1 Polyurethane Cable Jacket, Polyamide Overmold	<b>-A</b> Plug, with Male Pin Contacts	<b>A</b> Plug, with Male Pin Contacts	<b>0</b> #20 AWG	<b>M</b> Aluminum / Electroless Nickel	See Insert Arr. page H-3	<b>P</b> Metal Protective Covers Included	<b>A</b> Normal	Overall Length In Inches 12 Inch Min.
	<b>-B</b> Plug, with Female Socket Contacts	<b>B</b> Plug, with Female Socket Contacts	<b>2</b> #22 AWG	<b>NF</b> Aluminum / Cadmium with OD Chromate		<b>N</b> No Covers Supplied	<b>B</b> Pos. B	
<b>805-063</b> Style 2 Rubber Cable Jacket and Overmold,	<b>-C</b> Receptacle, with Male Pin Contacts	<b>C</b> Receptacle, with Male Pin Contacts		<b>ZNU</b> Aluminum / Zinc- Nickel with Black Chromate			<b>C</b> Pos. C	
	<b>-D</b> Receptacle, with Female Socket Contacts	<b>D</b> Receptacle, with Female Socket Contacts		<b>MT</b> Aluminum / Nickel-PTFE			<b>D</b> Pos. D	
		<b>N</b> No Connector (Single-Ended)		<b>Z1</b> Stainless Steel / Passivated			<b>E</b> Pos. E <b>F</b> Pos. F	
							See key positions on page H-5	



Dimensions in Inches (millimeters) are subject to change without notice.



# Series 805 Mighty Mouse Triple-Start ACME Thread Shielded Overmolded Harsh Environment Cordsets

## 805-015, 016, -064 and -065 Ordering Information

Series 805 Cordsets with #16 Contacts								
Sample Part Number								
805-015	-A	C	6	M	8-28	N	A	-36
Series	End A Connector	End B Connector	Wire Size	Shell Material/ Finish	Insert Arr.	Protective Cover	Shell Key Pos.	Length
<b>805-015</b> Style 1 Polyurethane Cable Jacket, Polyamide Overmold	<b>-A</b> Plug, with Male Pin Contacts <b>-B</b> Plug, with Female Socket Contacts	<b>A</b> Plug, with Male Pin Contacts <b>B</b> Plug, with Female Socket Contacts	<b>6</b> #16 AWG <b>8</b> #18 AWG	<b>M</b> Aluminum / Electroless Nickel <b>NF</b> Aluminum / Cadmium with OD Chromate <b>ZNU</b> Aluminum / Zinc- Nickel with Black Chromate <b>MT</b> Aluminum / Nickel-PTFE <b>Z1</b> Stainless Steel / Passivated	Available in Shell Sizes <b>8</b> Thru <b>19</b>  See Cont. Arr. Page H-3	<b>P</b> Metal Protective Covers Included <b>N</b> No Covers Supplied	<b>A</b> Normal <b>B</b> Pos. B <b>C</b> Pos. C <b>D</b> Pos. D <b>E</b> Pos. E <b>F</b> Pos. F  See key positions on page H-5	Overall Length In Inches 12 Inch Min.
<b>805-064</b> Style 2 Rubber Cable Jacket and Overmold	<b>-C</b> Receptacle, with Male Pin Contacts <b>-D</b> Receptacle, with Female Socket Contacts	<b>C</b> Receptacle, with Male Pin Contacts <b>D</b> Receptacle, with Female Socket Contacts <b>N</b> No Connector (Single-Ended)						

Series 805 Cordsets with #12 Contacts								
Sample Part Number								
805-065	-A	C	2	M	8-28	N	A	-36
Series	End A Connector	End B Connector	Wire Size	Shell Material / Finish	Insert Arr.	Protective Cover	Shell Key Pos.	Length
<b>805-016</b> Style 1 Polyurethane Cable Jacket, Polyamide Overmold	<b>-A</b> Plug, with Male Pin Contacts <b>-B</b> Plug, with Female Socket Contacts	<b>A</b> Plug, with Male Pin Contacts <b>B</b> Plug, with Female Socket Contacts	<b>2</b> #12 AWG <b>4</b> #14 AWG	<b>M</b> Aluminum / Electroless Nickel <b>NF</b> Aluminum / Cadmium with OD Chromate <b>ZNU</b> Aluminum / Zinc- Nickel with Black Chromate <b>MT</b> Aluminum / Nickel-PTFE <b>Z1</b> Stainless Steel / Passivated	Available in Shell Sizes <b>8</b> Thru <b>19</b>  See Cont. Arr. Page H-3	<b>P</b> Metal Protective Covers Included <b>N</b> No Covers Supplied	<b>A</b> Normal <b>B</b> Pos. B <b>C</b> Pos. C <b>D</b> Pos. D <b>E</b> Pos. E <b>F</b> Pos. F  See key positions on page H-5	Overall Length In Inches 12 Inch Min.
<b>805-065</b> Style 2 Rubber Cable Jacket and Overmold,	<b>-C</b> Receptacle, with Male Pin Contacts <b>-D</b> Receptacle, with Female Socket Contacts	<b>C</b> Receptacle, with Male Pin Contacts <b>D</b> Receptacle, with Female Socket Contacts <b>N</b> No Connector (Single-Ended)						

Dimensions in Inches (millimeters) are subject to change without notice.

## Series 805 Ultraflexible “Phantom Cable” Cordsets



Phantom Cable cordsets feature high-flex rubber-insulated wires, lightweight shield and overbraided jackets for maximum flexibility, reduced size and minimum weight. Flexible rubber overmold provides strain relief and environmental sealing. EMI shield options include high-strength, ultralightweight Amberstrand® nickel-coated composite braid, ArmorLite™ or lightweight, high flexibility tinned copper braid. Braid outer jackets are available with NOMEX®, HALAR® or PTFE-coated fiberglass.

### Product Features

- Overbraided cable jacket for excellent flexibility
- Ultra-lightweight AmberStrand® EMI shield
- 100% electrically tested
- Flexible to -55°C.
- Stainless steel shield termination band

### Application Note

Overbraided textile jackets are ideal for applications where flexibility and weight are important. However, water can penetrate through the jacket and cable shield. Dust and contamination can also become entrapped in the braid. Braided jackets are prone to fraying damage caused by snagging on velcro closures and MOLLE vests. Extruded cable jackets are recommended if debris entrapment, moisture ingress or fraying damage are concerns.

Braid Shield Selection Guide			
Property	Amberstrand®	Armorlite®	Copper
Type	nickel-coated high-strength super fiber	Micro-filament nickel-coated stainless steel	Tin-coated copper
Weight/ft. (0.5 in. ID)	3.7 grams	4.4 grams	22.3 grams
Operating Temp(1)	-65° C to +200° C	-80° C to +260° C	-80° C to +150° C
Coverage	90% min.	90% min.	90% min.
Flexibility	Excellent	Excellent	Good
Cost Comparison	\$\$\$	\$\$	\$

(1) Rubber wires and rubber overmold are rated for -55° C to +135° C.

Jacket Selection Guide			
Property	NOMEX®	HALAR®	PTFE Coated Fiberglass
Color	Black or olive drab	Black	Tan
Operating Temp(1)	-55° C to +260° C	-73° C to +150° C	-75° C to +300° C
Chemical Resistance	Excellent	Excellent	Excellent
Flammability	Self-extinguishing, will not melt	Fire retardant UL VW-1	Self-extinguishing
Toxicity	Non-toxic	Non-toxic	Non-toxic
Flexibility	Excellent	Excellent	Excellent
Abrasion resistance	Excellent	Excellent	Excellent

(1) Rubber wires and rubber overmold are rated for -55° C to +135° C.

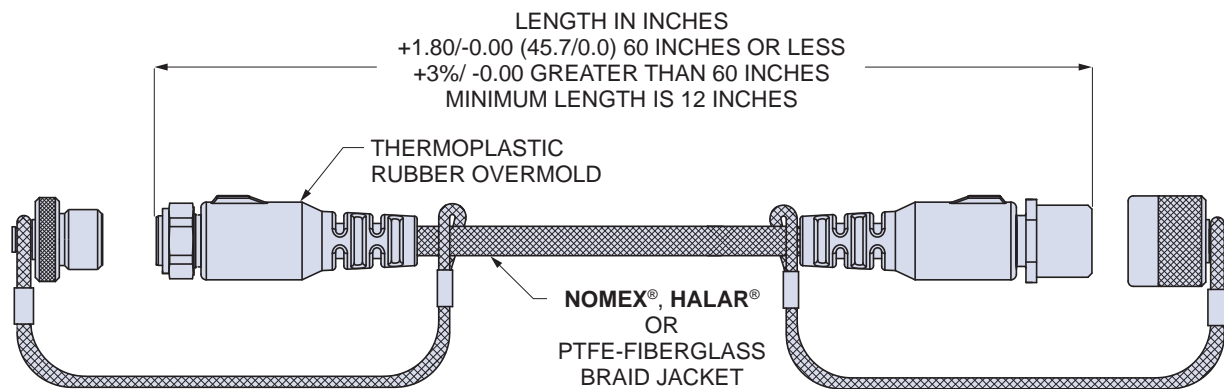
Specifications	
Cable jacket	NOMEX®, HALAR® or PTFE-coated fiberglass
Temperature Range	-55° C to +135° C
Overmold	Thermoplastic elastomer, black
Cable shield	AmberStrand®, ArmorLite® or tinned copper, 90% minimum coverage
Conductors	Silver coated stranded wire, rubber insulation
Shield Termination	Band-Master™ ATS stainless steel shield termination band
Current rating	5 amps
Test voltage (DWV)	500 Vac
Insulation resistance	200 Megohms minimum
Shielding effectiveness	50 dB minimum from 100MHz to 1000MHz.

Dimensions in Inches (millimeters) are subject to change without notice.

# Series 805 Mighty Mouse Triple-Start ACME Thread Flexible, Lightweight Phantom Cable Cordsets

805-057, 058, 059 and -060 Ordering Information

Series 805 "Phantom Cable" Cordsets size #12 thru #23 Contacts										
Sample Part Number										
805-027	-B	N	2	Z1	5-3	N	A	-60	C	N
Series	End A Connector	End B Connector	Wire Size	Shell Material/ Finish	Insert Arr.	Protective Cover	Shell Key Pos.	Length	Shield Option	Jacket Option
Size #23 Contacts <b>805-057</b> Phantom Cable Cordset	-A Plug, with Male Pin Contacts	A Plug, with Male Pin Contacts	Size #23 Contacts <b>4</b> #24 AWG	M Aluminum / Electroless Nickel	Available in Shell Sizes <b>8</b> Thru <b>19</b>	P Metal Protective Covers Included N No Covers Supplied	A Normal B Pos. B C Pos. C D Pos. D E Pos. E F Pos. F	Overall Length In Inches 12 Inch Min.	A Amberstrand B Armorlite C Tin-Coated Copper	D Nomex, Olive Drab N Nomex, Black H Halar (Monofil) P Peek (Monofil)
Size #20 HD Contacts <b>805-058</b> Phantom Cable Cordset	-C Rec. with Male Pin Contacts	C Rec. with Male Pin Contacts	Size #20 HD Contacts <b>0</b> #20 AWG	ZNU Aluminum / Zinc-Nickel with Black Chromate	See Cont. Arr. Page H-3					
Size #16 Contacts <b>805-059</b> Phantom Cable Cordset	-D Rec. with Female Socket Contacts	D Rec. with Female Socket Contacts N No Connector (Single-Ended)	Size #16 Contacts <b>6</b> #16 AWG <b>8</b> #18 AWG	MT Aluminum / Nickel-PTFE Z1 Stainless Steel / Passivated			See key positions on page H-5			
Size #12 Contacts <b>805-060</b> Phantom Cable Cordset			Size #12 Contacts <b>2</b> #12 AWG <b>4</b> #14 AWG							



## NOTES

1. Double-ended cordsets are wired pin #1 to pin #1, #2 to #2, and so on.
2. Wires are silver-coated stranded copper with TPE insulation, 600V, UL VW-1 rated.
3. Wires are white with color stripe per MIL-STD-681. Wire #1 is WHT/BLK, wire #2 is WHT/BRN, etc.

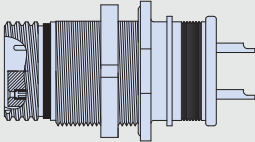
Dimensions in Inches (millimeters) are subject to change without notice.



# Series 80 Mighty Mouse Filter Connector Table of Contents and Introduction



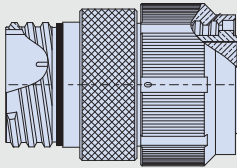
## PRODUCT SELECTION GUIDE



### Series 801 Mighty Mouse Filter Connector

High Density, Quick Coupling Threads, Square Flange or Jam Nut

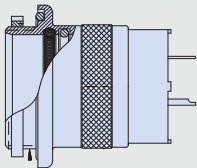
Page J-8



### Series 801 Mighty Mouse Filter Connector Adapter

High Density, Quick Coupling Threads

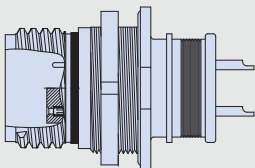
Page J-12



### Series 804 Mighty Mouse Filter Connector

Jam Nut Receptacle, Push-Pull Quick Disconnect

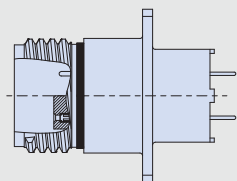
Page J-15



### Series 805 Mighty Mouse Filter Connector

Receptacles with Triple-Start ACME Coupling Threads,  
Square Flange or Jam Nut with Solder Cup Contacts and Banding Platform

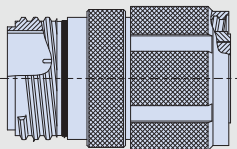
Page J-16



### Series 805 Mighty Mouse Filter Connector

Receptacles with Triple-Start ACME Coupling Threads,  
PCB Contacts

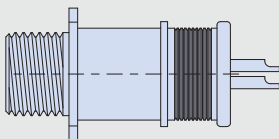
Page J-17



### Series 805 Mighty Mouse Filter Connector Adapter

with Triple-Start ACME Coupling Threads

Page J-20



### Series 800 Mighty Mouse Filter Connector

Receptacles with UN Mating Threads, Square Flange or Jam Nut

Page J-22

Dimensions in inches (millimeters) and are subject to change without notice.

© 2014 Glenair, Inc.

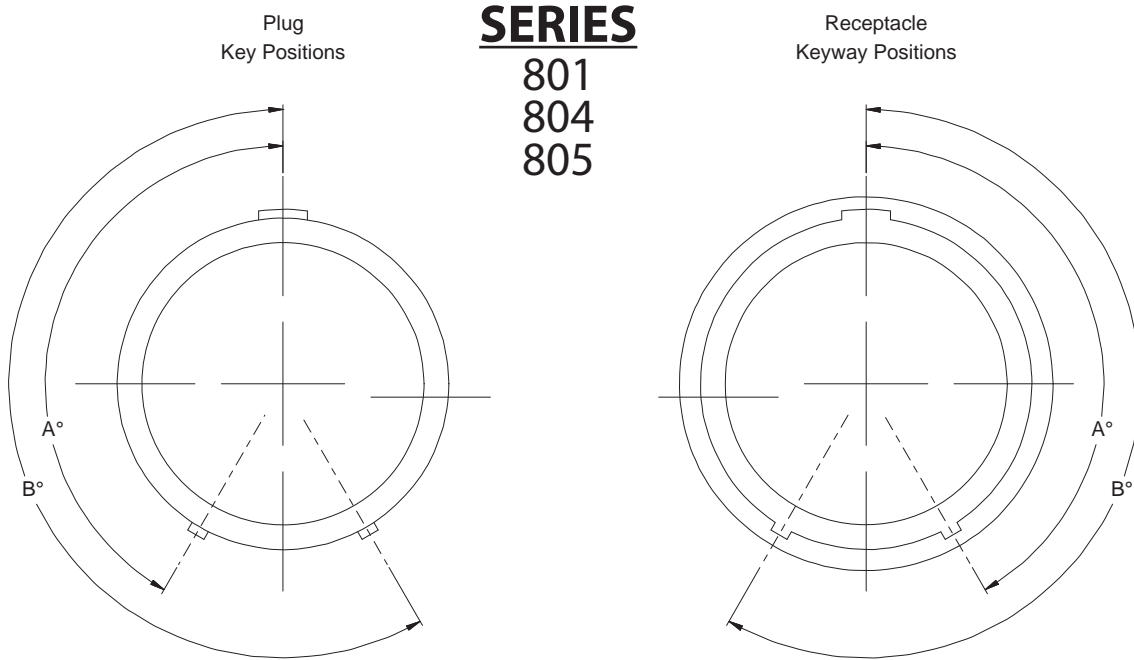
Series 80 Mighty Mouse

U.S. CAGE Code 06324

Printed in U.S.A.



## Series 80 Mighty Mouse Filter Connector Normal and Alternate Key Positions



Series 80 Mighty Mouse Alternate Key Positions			
Key Position	Notes	A°	B°
A	Normal	150°	210°
B	Alternate #1	75°	210°
C	Alternate #2	95°	230°
D	Alternate #3	140°	275°
E	Alternate #4	75°	275°
F	Alternate #5	95°	210°
U	Universal	-	-

Dimensions in inches (millimeters) and are subject to change without notice.

© 2014 Glenair, Inc.

Series 80 Mighty Mouse

U.S. CAGE Code 06324

Printed in U.S.A.

# Series 80 Mighty Mouse Filter Connector Contact Arrangements



Series 80 Mighty Mouse Contact Arrangements								
Contact Size	Contact Quantity					Contact Arrangements		
	#23	#20	#20Hd	#16	#12	Series 801	Series 804	Series 805
Size #23 Contacts 5 Amp Max	3					5-3	5-3	N/A
	4					6-4	6-4	8-4
	6					6-6	6-6	8-6
	7					6-7	6-7	8-7
	10					7-10	7-10	9-10
	13					8-13	8-13	10-13
	19					9-19	9-19	11-19
	26					10-26	10-26	12-26
	31					11-31	11-31	13-31
	37					13-37	12-37	15-37
	55					16-55	14-55	18-55
	85					17-85	N/A	19-85
	100					19-100	N/A	21-100
130					21-130	N/A	23-130	
Size #20HD Contacts 7.5 Amp Max			3			6-23	6-23	8-23
			5			7-25	7-25	9-25
			8			8-28	8-28	10-28
			10			9-210	9-210	11-210
			20			13-220	12-220	15-220
			35			16-235	14-235	18-235
			41			17-241	N/A	19-241
			55			19-255	N/A	21-255
Size #16 Contacts 13 Amp Max				1		6-1	6-1	8-1
				2		8-2	8-2	10-2
				4		9-4	9-4	11-4
				5		10-5	10-5	12-5
				7		13-7	12-7	15-7
				12		16-12	14-12	18-12
				14		17-14	N/A	19-14
				19		19-19	N/A	21-19
Size #12 Contacts 23 Amp Max					1	7-1	7-1	9-1
					2	10-2	10-2	12-2
					2	13-2	12-2	15-2
					3	13-3	12-3	15-3
					5	16-5	14-5	18-5
					7	17-7	N/A	19-7
					12	21-12	N/A	23-12
Mixed Size "Combo" Layouts	4	2				8-200	8-200	10-200
	8	2				9-201	9-201	11-201
	4			2		9-200	9-200	11-200
	8			2		10-202	10-202	12-202
	4				2	10-201	10-201	12-201
	6				2	13-200	12-200	15-200
	10				2	13-201	12-201	15-201
12				1	10-200	10-200	12-200	

Dimensions in inches (millimeters) and are subject to change without notice.





# Series 80 Mighty Mouse Filter Connector Contact Arrangements (Pin Front View) Printed Circuit Board Dimensions

Series 801	5-3	6-4	6-6	6-7	6-23	6-1
Series 804	5-3	6-4	6-6	6-7	6-23	6-1
Series 805	N/A	8-4	8-6	8-7	8-23	8-1
Series 801	7-10	7-25	7-1	8-13	8-28	
Series 804	7-10	7-25	7-1	8-13	8-28	
Series 805	9-10	9-25	9-1	10-13	10-28	
Series 801	8-2	8-200	9-19	9-4	9-210	9-200
Series 804	8-2	8-200	9-19	9-4	9-210	9-200
Series 805	10-2	10-200	11-19	11-4	11-210	11-200
Series 801	9-201	10-26	10-5	10-2		
Series 804	9-201	10-26	10-5	10-2		
Series 805	11-201	12-26	12-5	12-2		

Dimensions in inches (millimeters) and are subject to change without notice.

© 2014 Glenair, Inc.

Series 80 Mighty Mouse

U.S. CAGE Code 06324

Printed in U.S.A.

# Series 80 Mighty Mouse Filter Connector Contact Arrangements (Pin Front View) Printed Circuit Board Dimensions



Series 801	10-200	10-201	10-202	11-31	13-37
Series 804	10-200	10-201	10-202	11-31	12-37
Series 805	12-200	12-201	12-202	13-31	15-37
Series 801	13-7	13-2	13-3	13-200	13-201
Series 804	12-7	12-2	12-3	12-200	12-201
Series 805	15-7	15-2	15-3	15-200	15-201
Series 801	13-220	16-55	16-235		
Series 804	12-220	14-55	14-235		
Series 805	15-220	18-55	18-235		

Dimensions in inches (millimeters) and are subject to change without notice.

© 2014 Glenair, Inc.

Series 80 Mighty Mouse

U.S. CAGE Code 06324

Printed in U.S.A.



# Series 80 Mighty Mouse Filter Connector Contact Arrangements (Pin Front View) with Printed Circuit Board Dimensions

Series 801	16-5	16-12	17-14
Series 804	14-5	14-12	N/A
Series 805	18-5	18-12	19-7
Series 801	17-85	17-241	
Series 804	N/A	N/A	
Series 805	19-85	19-241	
Series 801	19-100	19-255	19-19
Series 804	N/A	N/A	N/A
Series 805	21-100	21-255	21-19

Dimensions in inches (millimeters) and are subject to change without notice.

© 2014 Glenair, Inc.

Series 80 Mighty Mouse

U.S. CAGE Code 06324

Printed in U.S.A.

**Series 80 Mighty Mouse Filter Connector  
Contact Arrangements (Pin Front View)  
Printed Circuit Board Dimensions**



Series 801	21-130	21-12
Series 804	N/A	N/A
Series 805	23-130	23-12
Series 801	21-22	21-269
Series 804	N/A	N/A
Series 805	23-22	23-269

Dimensions in inches (millimeters) and are subject to change without notice.





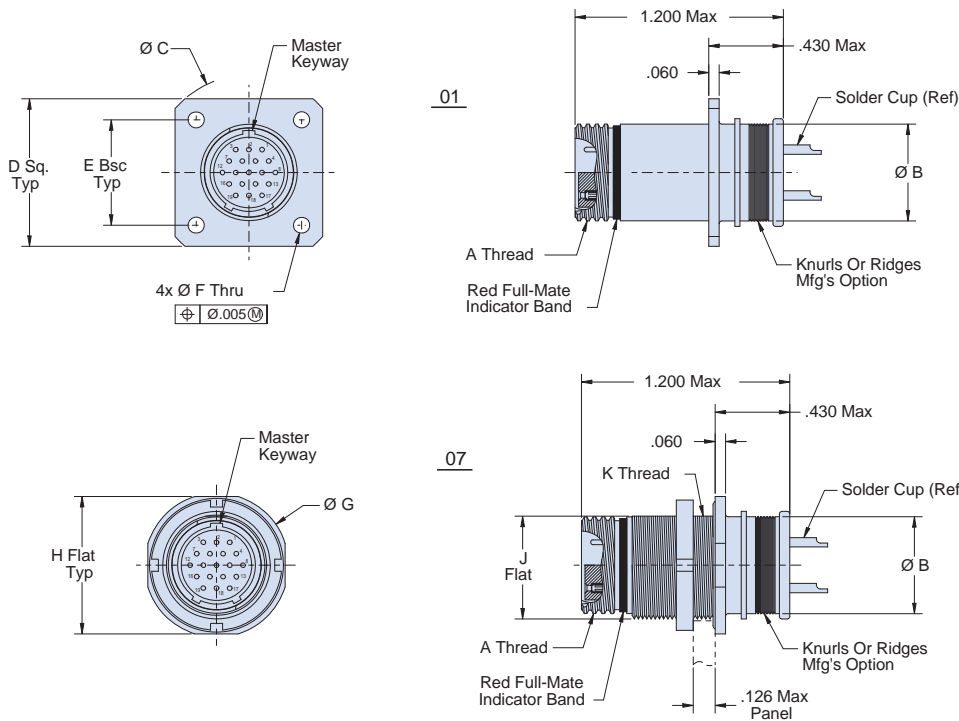
# Series 801 Mighty Mouse Filter Connector

## High Density, Quick Coupling Threads

### 240-801 Ordering Information

#### Mighty mouse filter connector with solder cup contacts and banding platform

How To Order	
Sample Part Number	240-801- 07 M 6-7 P S P A A
Filter Connector	240-801 = Series 801 Mighty Mouse
Shell Style	01 = Square flange receptacle with banding platform 07 = Jam nut receptacle with banding platform
Shell Material/Finish	See Table I
Insert Arrangement	See pages J-3 – J-7
Contact Gender	P = Pin S = Socket
Termination Type	S = Solder Cup
Filter Type	P = Pi Circuit C = C Circuit (See Note 1)
Capacitance	See Table II
Alternate Key Position	A, B, C, D, E, F, U A = Normal, U = Universal (See page J-2)



#### NOTES

1. Other filter styles (C-L, L-C, Unbalanced Pi, Multi-Stage, Multi-Value) are available, please consult the factory.

Dimensions in inches (millimeters) and are subject to change without notice.  
 Series 80 Mighty Mouse U.S. CAGE Code 06324

© 2014 Glenair, Inc.

Printed in U.S.A.



# Series 801 Mighty Mouse Filter Connector

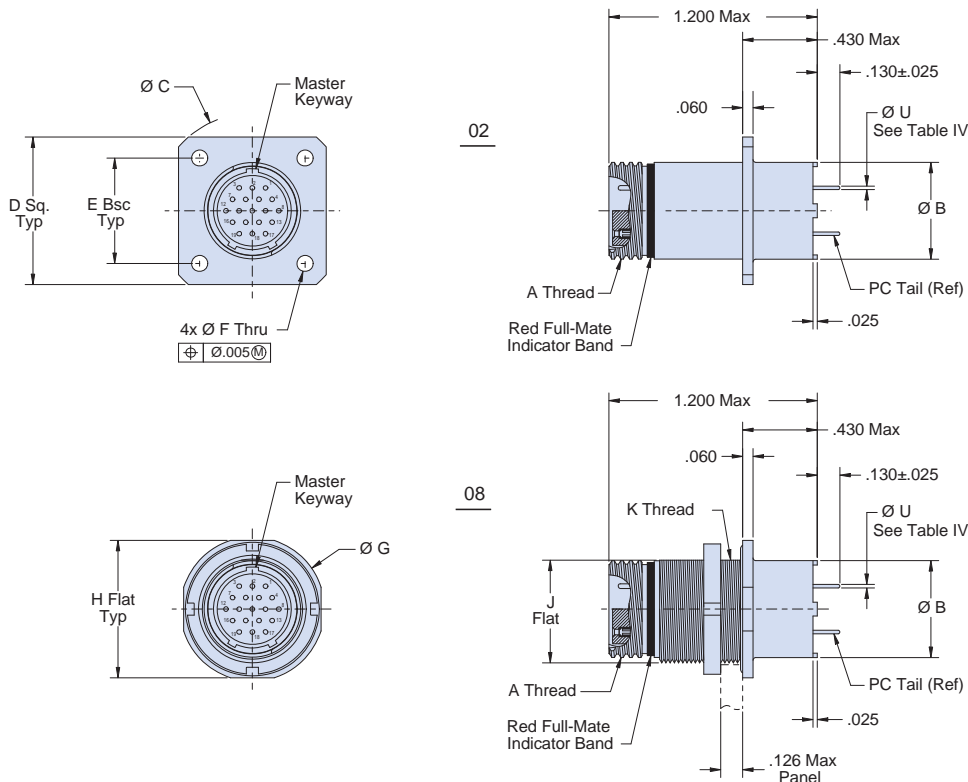
## High Density, Quick Coupling Threads

### 240-801 Ordering Information



## Mighty mouse filter connector with PC tail contacts

How To Order	
Sample Part Number	240-801- 02 M 6-7 P P P A A
Filter Connector	240-801 = Series 801 Mighty Mouse
Shell Style	02 = Square flange receptacle with PCB contacts 08 = Jam nut receptacle with PCB contacts
Shell Material/Finish	See Table I
Insert Arrangement	See pages J-3 – J-7
Contact Gender	P = Pin S = Socket
Termination Type	P = PC Tail
Filter Type	P = Pi Circuit C = C Circuit (See Note 1)
Capacitance	See Table II
Alternate Key Position	A, B, C, D, E, F, U A = Normal, U = Universal (See page J-2)



### NOTES

1. Other filter styles (C-L, L-C, Unbalanced Pi, Multi-Stage, Multi-Value) are available, please consult the factory.

Dimensions in inches (millimeters) and are subject to change without notice.





# Series 801 Mighty Mouse Filter Connector High Density, Quick Coupling Threads

## 240-801 Dimensions

### Mighty mouse filter connector with solder cup contacts and banding platform

**Table I: Material and Finish**

Sym	Material	Finish Description
M	Aluminum	Electroless Nickel
MT		Ni-PTFE 1000 Hour Grey™ Nickel Fluorocarbon Polymer
NF		Cadmium, Olive Drab over Electroless Nickel
ZN		Zinc-Nickel, Olive Drab
ZR		Zinc-Nickel, Black - RoHS
ZL	Stainless Steel	Electro-Deposited Nickel

**Table II: Capacitor Array Code Capacitance Range**

Class	Pi - Circuit (pF)	C - Circuit (pF)
A	38,000 - 56,000	19,000 - 28,000
B	32,000 - 45,000	16,000 - 22,500
C	18,000 - 33,000	9,000 - 16,500
D	8,000 - 12,000	4,000 - 6,000
E	3,300 - 5,000	1,650 - 2,500
F	800 - 1,300	400 - 650
G	400 - 600	200 - 300
J	70 - 120	35 - 60

**PC Tail Dia**

Contact Size	∅ U
23	.022 (0.56)
	.018 (0.46)
20	.028 (0.71)
	.024 (0.61)
16	.042 (1.07)
	.038 (0.97)
12	.096 (2.44)
	.092 (2.34)

**Dimensions**

Shell Size	A Thread	B Dia	C Dia	D Sq	E Bsc	F Holes	G Dia	H Flat	J Flat	K Thread
5	.3125-.05P-.1L-2A	.365 (9.3)	.680 (17.3)	.530 (13.5)	.363 (9.2)	.096 (2.4) .091 (2.3)	.575 (14.6)	.545 (13.8)	.350 (8.9)	.3750-28 UN-2A
6	.3750-.05P-.1L-2A	.409 (10.4)	.750 (19.1)	.590 (15.0)	.423 (10.7)		.635 (16.1)	.595 (15.1)	.410 (10.4)	.4375-28 UNEF-2A
7	.4375-.05P-.1L-2A	.500 (12.7)	.850 (21.6)	.650 (16.5)	.483 (12.3)		.755 (19.2)	.723 (18.4)	.536 (13.6)	.5625-32 UN-2A
8	.5000-.05P-.1L-2A	.522 (13.3)	.938 (23.8)	.712 (18.1)	.545 (13.8)		.755 (19.2)	.723 (18.4)	.536 (13.6)	.5625-32 UN-2A
9	.5625-.05P-.1L-2A	.610 (15.5)	1.125 (28.6)	.850 (21.6)	.607 (15.4)		.830 (21.1)	.790 (20.1)	.596 (15.1)	.6250-28 UN-2A
10	.6250-.05P-.1L-2A	.652 (16.6)	1.188 (30.2)	.890 (22.6)	.670 (17.0)	.130 (3.3) .126 (3.2)	.890 (22.6)	.855 (21.7)	.658 (16.7)	.6875-28 UN-2A
11	.6875-.05P-.1L-2A	.694 (17.6)	1.250 (31.8)	.935 (23.8)	.715 (18.2)		.960 (24.4)	.925 (23.5)	.718 (18.2)	.750-28 UN-2A
13	.8125-.1P-.2L-2A	.746 (18.9)	1.375 (34.9)	1.030 (26.2)	.812 (20.6)		1.078 (27.4)	1.044 (26.5)	.845 (21.5)	.875-28 UN-2A
16	1.000-.1P-.2L-2A	.871 (22.1)	1.625 (41.3)	1.219 (31.0)	.981 (24.9)		1.264 (32.1)	1.230 (31.2)	1.022 (26.0)	1.0625-20 UN-2A
17	1.062-.1P-.2L-2A	.965 (24.5)	1.700 (43.2)	1.280 (32.5)	1.060 (26.9)		1.325 (33.7)	1.290 (32.8)	1.096 (27.8)	1.125-28 UN-2A
19	1.1875-.1P-.2L-2A	1.078 (27.4)	1.900 (48.3)	1.432 (36.8)	1.191 (30.3)		1.450 (36.8)	1.415 (35.9)	1.225 (31.1)	1.250-28 UN-2A
21	1.3125-.1P-.2L-2A	1.186 (30.1)	1.938 (49.2)	1.565 (39.8)	1.322 (33.6)		1.625 (41.3)	1.577 (40.1)	1.345 (34.2)	1.375-28 UN-2A

Dimensions in inches (millimeters) and are subject to change without notice.

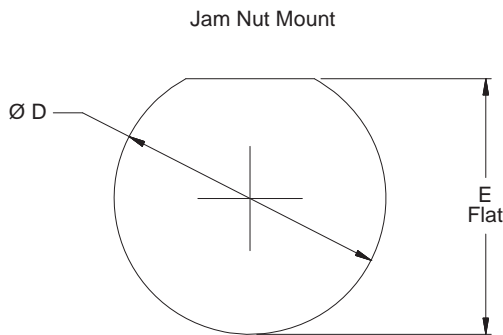
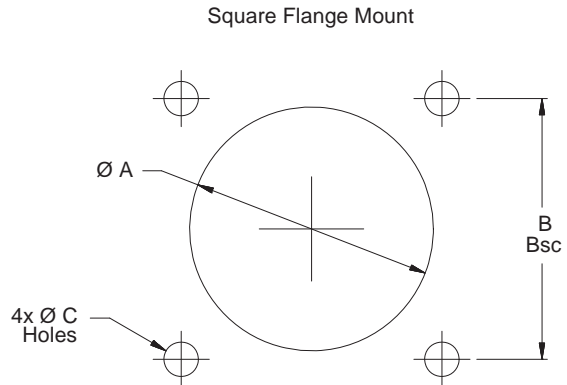
# Series 801 Mighty Mouse Filter Connector

## High Density, Quick Coupling Threads

### 240-801 Dimensions



Series 801 Mighty Mouse Square Flange Cut-Outs			
Shell Size	ØA	B Bsc	ØC Holes
5	.328 (8.33)	.363 (9.22)	.096 (2.44) .091 (2.31)
6	.390 (9.91)	.423 (10.74)	
7	.453 (11.51)	.483 (12.27)	
8	.515 (13.08)	.545 (13.84)	.130 (3.30) .126 (3.20)
9	.578 (14.68)	.607 (15.42)	
10	.640 (16.26)	.670 (17.02)	
11	.703 (17.86)	.715 (18.16)	
13	.828 (21.03)	.812 (20.62)	
16	1.015 (25.78)	.981 (24.92)	
17	1.078 (27.38)	1.060 (26.92)	
19	1.203 (30.56)	1.191 (30.25)	
21	1.328 (33.73)	1.322 (33.58)	



Series 801 Mighty Mouse Jam Nut Cut-Outs		
Shell Size	ØD	E Flat
5	.387 (9.8)	.358 (9.1)
	.383 (9.7)	.354 (9.0)
6	.449 (11.4)	.418 (10.6)
	.445 (11.3)	.414 (10.5)
7	.574 (14.6)	.544 (13.8)
	.570 (14.5)	.540 (13.7)
8	.574 (14.6)	.544 (13.8)
	.570 (14.5)	.540 (13.7)
9	.637 (16.2)	.604 (15.3)
	.633 (16.1)	.600 (15.2)
10	.699 (17.8)	.666 (16.9)
	.695 (17.7)	.662 (16.8)
11	.762 (19.4)	.726 (18.4)
	.758 (19.3)	.722 (18.3)
13	.887 (22.5)	.853 (21.7)
	.883 (22.4)	.849 (21.6)
16	1.077 (27.4)	1.030 (26.2)
	1.073 (27.3)	1.026 (26.1)
17	1.137 (28.9)	1.104 (28.0)
	1.133 (28.8)	1.100 (27.9)
19	1.262 (32.1)	1.235 (31.4)
	1.258 (32.0)	1.231 (31.3)
21	1.387 (35.2)	1.355 (34.4)
	1.383 (35.1)	1.351 (34.3)

Dimensions in inches (millimeters) and are subject to change without notice.





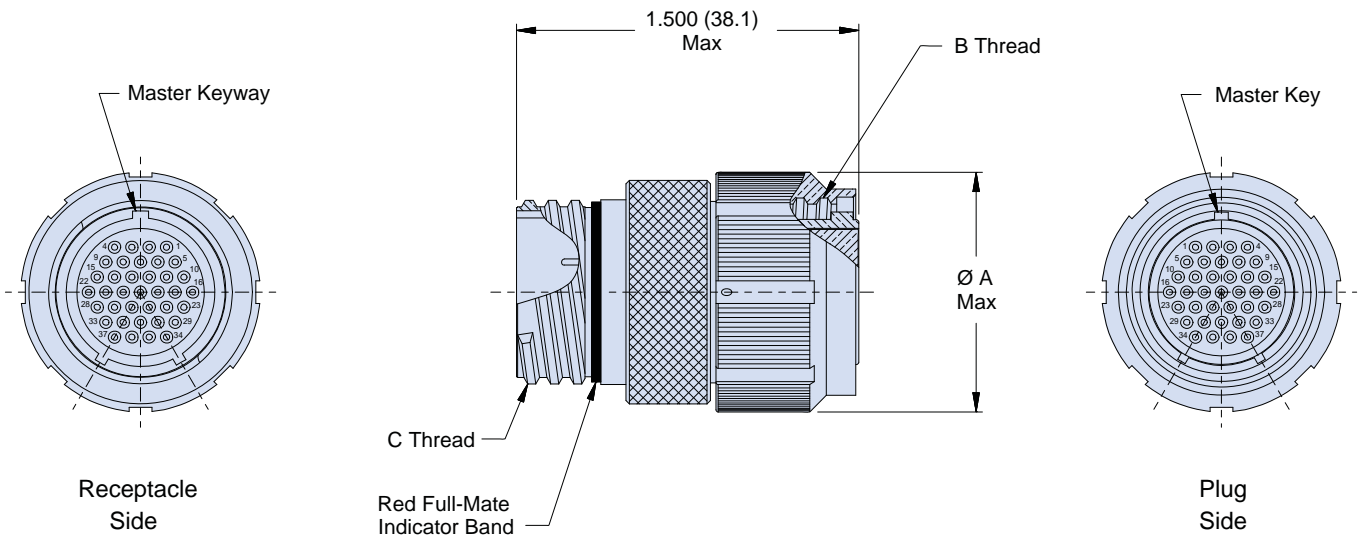
# Series 801 Mighty Mouse Filter Connector Adapter

## High Density, Quick Coupling Threads

### 240-801-AA Ordering Information

## Mighty mouse filter connector adapter

How To Order	
Sample Part Number	240-801-AA M 6-7 PS P A A
Filter Connector	240-801 = Series 801 Mighty Mouse
Shell Style	AA = Adapter
Shell Material/Finish	See Table I
Insert Arrangement	See pages J-3 – J-7
Contact Gender	PS = Pins, Plug Side SP = Sockets, Plug Side (See Note 2)
Filter Type	P = Pi Circuit C = C Circuit (See Note 1)
Capacitance	See Table II
Alternate Key Position	A, B, C, D, E, F, U A = Normal, U = Universal (See page J-2)



### NOTES

1. Other filter styles (C-L, L-C, Unbalanced Pi, Multi-Stage, Multi-Value) are available, please consult the factory.
2. Please consult factory for Pin/Pin and/or Socket/Socket contact arrangements.

Dimensions in inches (millimeters) and are subject to change without notice.

© 2014 Glenair, Inc.

Series 80 Mighty Mouse

U.S. CAGE Code 06324

Printed in U.S.A.

# Series 801 Mighty Mouse Filter Connector Adapter

## High Density, Quick Coupling Threads

### 240-801-AA Dimensions



Sym	Material	Finish Description
M	Aluminum	Electroless Nickel
MT		Ni-PTFE 1000 Hour Grey™ Nickel Fluorocarbon Polymer
NF		Cadmium, Olive Drab over Electroless Nickel
ZN		Zinc-Nickel, Olive Drab
ZR		Zinc-Nickel, Black - RoHS
ZL	Stainless Steel	Electro-Deposited Nickel

Class	Pi - Circuit (pF)	C - Circuit (pF)
A	38,000 - 56,000	19,000 - 28,000
B	32,000 - 45,000	16,000 - 22,500
C	18,000 - 33,000	9,000 - 16,500
D	8,000 - 12,000	4,000 - 6,000
E	3,300 - 5,000	1,650 - 2,500
F	800 - 1,300	400 - 650
G	400 - 600	200 - 300
J	70 - 120	35 - 60

Shell Size	Ø A Max	B Thread	C Thread
5	.720 (18.3)	.3125-.05P-.1L-DS-2B	.3125-.05P-.1L-DS-2A
6	.750 (19.1)	.3750-.05P-.1L-DS-2B	.3750-.05P-.1L-DS-2A
7	.850 (21.6)	.4375-.05P-.1L-DS-2B	.4375-.05P-.1L-DS-2A
8	.870 (22.1)	.5000-.05P-.1L-DS-2B	.5000-.05P-.1L-DS-2A
9	.930 (23.6)	.5625-.05P-.1L-DS-2B	.5625-.05P-.1L-DS-2A
10	1.000 (25.4)	.6250-.05P-.1L-DS-2B	.6250-.05P-.1L-DS-2A
11	1.100 (27.9)	.6875-.05P-.1L-DS-2B	.6875-.05P-.1L-DS-2A
13	1.170 (29.7)	.8125-.1P-.2L-DS-2B	.8125-.1P-.2L-DS-2A
16	1.380 (35.1)	1.0000-.1P-.2L-DS-2B	1.0000-.1P-.2L-DS-2A
17	1.460 (37.1)	1.0625-.1P-.2L-DS-2B	1.0625-.1P-.2L-DS-2A
19	1.600 (40.6)	1.1875-.1P-.2L-DS-2B	1.1875-.1P-.1L-DS-2A
21	1.850 (47.0)	1.3125-.1P-.2L-DS-2B	1.3125-.1P-.2L-DS-2A



Dimensions in inches (millimeters) and are subject to change without notice.



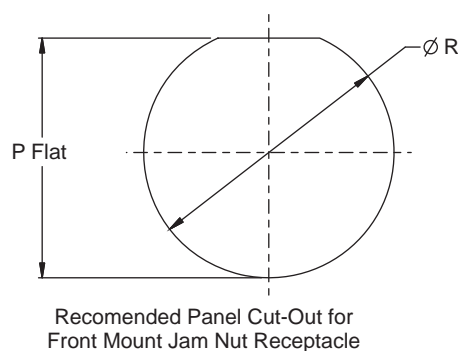
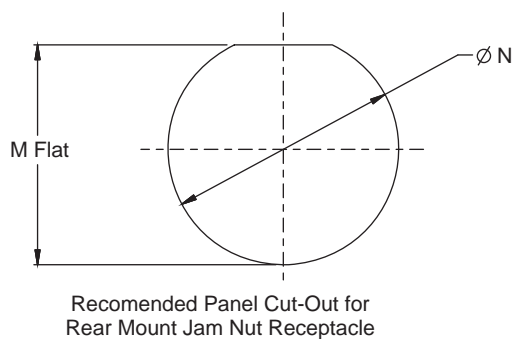
# Series 804 Mighty Mouse Filter Connector Jam Nut Receptacle, Push-Pull Quick Disconnect 240-804 Ordering Information

## Mighty mouse push-pull jam nut receptacle filter connector

How To Order	
Sample Part Number	240-804- 07 M 6-7 P S P A A
Filter Connector	240-804 = Series 804 Mighty Mouse Push-Pull
Shell Style	07 = Rear mount jam nut receptacle with PCB contacts 08 = Front mount jam nut receptacle with PCB contacts
Shell Material/Finish	See Table I
Insert Arrangement	See pages J-3 – J-7
Contact Gender	P = Pin S = Socket
Termination Type	P = PC Tail S = Solder Cup
Filter Type	P = Pi Circuit C = C Circuit (See Note 1)
Capacitance	See Table II
Alternate Key Position	A, B, C, D, E, F, U A = Normal, U = Universal (See page J-2)

Sym	Material	Finish Description
M	Aluminum	Electroless Nickel
MT		Ni-PTFE 1000 Hour Grey™ Nickel Fluorocarbon Polymer
NF		Cadmium, Olive Drab over Electroless Nickel
ZN		Zinc-Nickel, Olive Drab
ZR		Zinc-Nickel, Black - RoHS
ZL	Stainless Steel	Electro-Deposited Nickel

Class	Pi - Circuit (pF)	C - Circuit (pF)
A	38,000 - 56,000	19,000 - 28,000
B	32,000 - 45,000	16,000 - 22,500
C	18,000 - 33,000	9,000 - 16,500
D	8,000 - 12,000	4,000 - 6,000
E	3,300 - 5,000	1,650 - 2,500
F	800 - 1,300	400 - 650
G	400 - 600	200 - 300
J	70 - 120	35 - 60



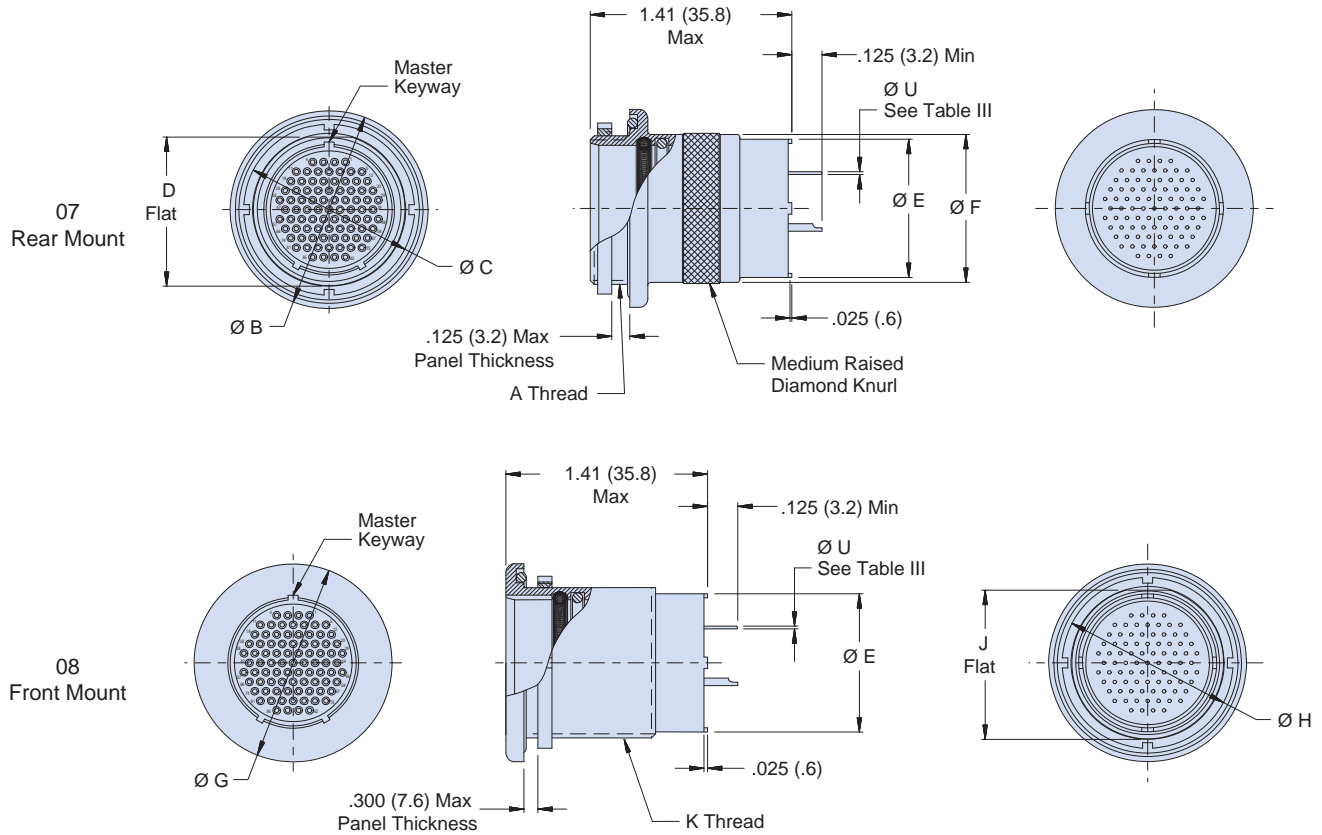
Contact Size	Ø U
23	.022 (0.56)
	.018 (0.46)
20	.028 (0.71)
	.024 (0.61)
16	.042 (1.07)
	.038 (0.97)
12	.096 (2.44)
	.092 (2.34)

### NOTES

- Other filter styles (C-L, L-C, Unbalanced Pi, Multi-Stage, Multi-Value) are available, please consult the factory.

Dimensions in inches (millimeters) and are subject to change without notice.

# Series 804 Mighty Mouse Filter Connector Jam Nut Receptacle, Push-Pull Quick Disconnect 240-804-07 and -08 Dimensions



**Table III: Dimensions**

Shell Size	A Thread	Ø B	Ø C	D Flat	Ø E	Ø F	Ø G	Ø H	J Flat	K Thread	Rear Mount -07		Front Mount -08	
											M Flat	Ø N	P Flat	Ø R
5	.4375-32	.790	.562	.415	.365	.450	.830	.625	.470	.5000-32	.427 (10.9)	.453 (11.5)	.482 (12.2)	.515 (13.1)
	UN-2A	(20.1)	(14.3)	(10.5)	(9.3)	(11.4)	(21.1)	(15.9)	(11.9)	UN-2A	.423 (10.7)	.443 (11.3)	.478 (12.1)	.505 (12.8)
6	.5000-32	.830	.625	.467	.409	.520	.885	.688	.530	.5625-32	.479 (12.2)	.515 (13.1)	.542 (13.8)	.580 (14.7)
	UN-2A	(21.1)	(15.9)	(11.9)	(10.4)	(13.3)	(22.5)	(17.5)	(13.5)	UN-2A	.475 (12.1)	.505 (12.8)	.538 (13.7)	.570 (14.5)
7	.6250-28	.910	.750	.594	.500	.570	.995	.812	.663	.6875-28	.606 (15.4)	.640 (16.3)	.676 (17.2)	.703 (17.9)
	UN-2A	(23.1)	(19.1)	(15.1)	(12.7)	(14.5)	(25.3)	(20.6)	(16.8)	UN-2A	.602 (15.3)	.630 (16.0)	.671 (17.0)	.693 (17.6)
8	.6250-28	.955	.750	.594	.522	.603	.995	.812	.663	.6875-28	.606 (15.4)	.640 (16.3)	.676 (17.2)	.703 (17.9)
	UN-2A	(24.3)	(19.1)	(15.1)	(13.3)	(15.3)	(25.3)	(20.6)	(16.8)	UN-2A	.602 (15.3)	.630 (16.0)	.671 (17.0)	.693 (17.6)
9	.6875-28	1.000	.812	.655	.610	.685	1.075	.875	.720	.7500-28	.667 (17.0)	.700 (17.8)	.732 (18.6)	.765 (19.4)
	UN-2A	(25.4)	(20.6)	(16.6)	(15.5)	(17.4)	(27.3)	(22.2)	(18.3)	UN-2A	.663 (16.8)	.690 (17.5)	.728 (18.5)	.755 (19.2)
10	.7500-28	1.085	.875	.721	.652	.735	1.140	.938	.788	.8125-28	.734 (18.6)	.765 (19.4)	.801 (20.4)	.827 (21.0)
	UN-2A	(27.6)	(22.2)	(18.3)	(16.6)	(18.7)	(29.0)	(23.8)	(20.0)	UN-2A	.729 (18.5)	.755 (19.2)	.796 (20.2)	.817 (20.8)
11	.8125-28	1.135	.938	.788	.694	.810	1.190	1.000	.843	.8750-28	.801 (20.3)	.827 (21.0)	.855 (21.7)	.890 (22.6)
	UN-2A	(28.8)	(23.8)	(20.0)	(17.6)	(20.6)	(30.2)	(25.4)	(21.4)	UN-2A	.796 (20.2)	.817 (20.8)	.851 (21.6)	.880 (22.4)
12	.8750-28	1.180	1.000	.843	.746	.850	1.340	1.125	.970	1.0000-28	.855 (21.7)	.890 (22.6)	.982 (24.9)	1.015 (25.8)
	UN-2A	(30.0)	(25.4)	(21.4)	(18.9)	(21.6)	(34.0)	(28.6)	(24.6)	UN-2A	.851 (21.6)	.880 (22.4)	.978 (24.8)	1.005 (25.5)
14	1.0000-28	1.325	1.125	.968	.871	.973	1.390	1.188	1.020	1.0625-20	.980 (24.9)	1.015 (25.8)	1.032 (26.2)	1.080 (27.4)
	UN-2A	(33.7)	(28.6)	(24.6)	(22.1)	(24.7)	(35.3)	(30.2)	(25.9)	UN-2A	.976 (24.8)	1.005 (25.5)	1.028 (26.1)	1.070 (27.2)

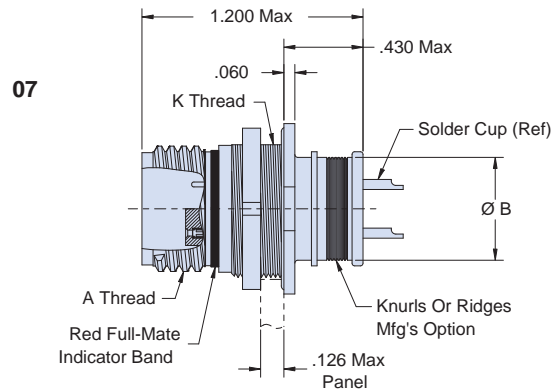
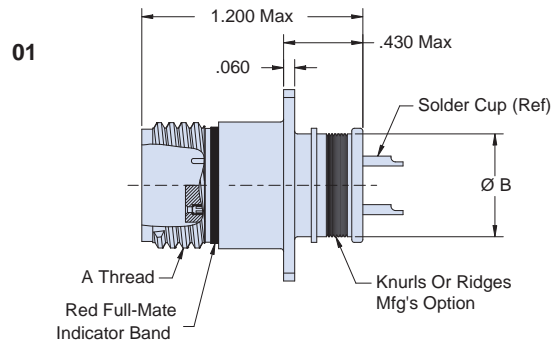
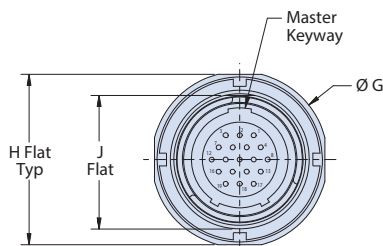
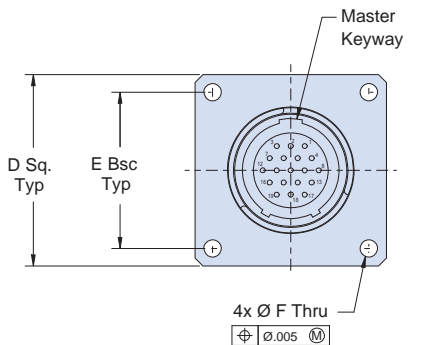
Dimensions in inches (millimeters) and are subject to change without notice.



# Series 805 Mighty Mouse Filter Connector Receptacles with Triple-Start ACME Coupling Threads, 240-805 Ordering Information

## Mighty mouse triple-start receptacle filter connector with solder cup contacts and banding platform

How To Order	
Sample Part Number	240-805- 07 M 8-7 P S P A A
Filter Connector	240-805 = Series 805 Mighty Mouse Triple-Start
Shell Style	01 = Square flange receptacle with banding platform 07 = Jam nut receptacle with banding platform
Shell Material/Finish	See Table I
Insert Arrangement	See pages J-3 – J-7
Contact Gender	P = Pin S = Socket
Termination Type	S = Solder Cup
Filter Type	P = Pi Circuit C = C Circuit (See Note 1)
Capacitance	See Table II
Alternate Key Position	A, B, C, D, E, F, U A = Normal, U = Universal (See page J-2)



### NOTES

- Other filter styles (C-L, L-C, Unbalanced Pi, Multi-Stage, Multi-Value) are available, please consult the factory.

Dimensions in inches (millimeters) and are subject to change without notice.

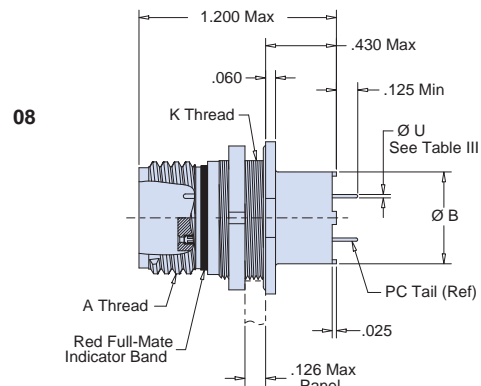
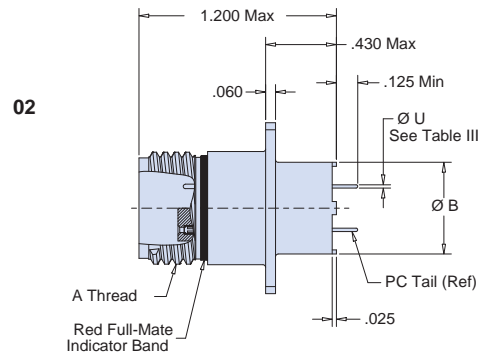
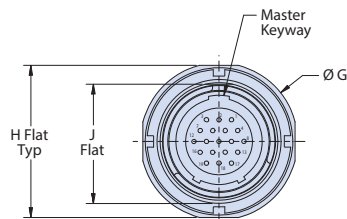
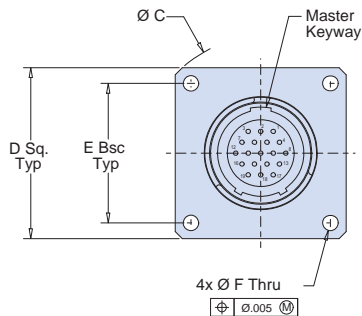


# Series 805 Mighty Mouse Filter Connector Receptacles with Triple-Start ACME Coupling Threads, 240-805 Ordering Information



## Mighty mouse triple-start receptacle filter connector with PCB contacts

How To Order	
<b>Sample Part Number</b>	<b>240-805- 02 M 8-7 P P P A A</b>
<b>Filter Connector</b>	Series 805 Mighty Mouse Triple-Start
<b>Shell Style</b>	<b>02</b> = Square flange receptacle with PCB contacts <b>08</b> = Jam nut receptacle with with PCB contacts
<b>Shell Material/Finish</b>	See Table I
<b>Insert Arrangement</b>	See pages J-3 – J-7
<b>Contact Gender</b>	<b>P</b> = Pin <b>S</b> = Socket
<b>Termination Type</b>	<b>P</b> = PC Tail
<b>Filter Type</b>	<b>P</b> = Pi Circuit <b>C</b> = C Circuit (See Note 1)
<b>Capacitance</b>	See Table II
<b>Alternate Key Position</b>	<b>A, B, C, D, E, F, U</b> <b>A</b> = Normal, <b>U</b> = Universal (See page J-2)



### NOTES

- Other filter styles (C-L, L-C, Unbalanced Pi, Multi-Stage, Multi-Value) are available, please consult the factory.

Dimensions in inches (millimeters) and are subject to change without notice.





## Series 805 Mighty Mouse Filter Connector Receptacles with Triple-Start ACME Coupling Threads 240-805 Dimensions

**Table I: Material and Finish**

Sym	Material	Finish Description
M	Aluminum	Electroless Nickel
MT		Ni-PTFE 1000 Hour Grey™ Nickel Fluorocarbon Polymer
NF		Cadmium, Olive Drab over Electroless Nickel
ZN		Zinc-Nickel, Olive Drab
ZR		Zinc-Nickel, Black - RoHS
ZL	Stainless Steel	Electro-Deposited Nickel

**Table II: Capacitor Array Code Capacitance Range**

Class	Pi - Circuit (pF)	C - Circuit (pF)
A	38,000 - 56,000	19,000 - 28,000
B	32,000 - 45,000	16,000 - 22,500
C	18,000 - 33,000	9,000 - 16,500
D	8,000 - 12,000	4,000 - 6,000
E	3,300 - 5,000	1,650 - 2,500
F	800 - 1,300	400 - 650
G	400 - 600	200 - 300
J	70 - 120	35 - 60

**Table III: PC Tail Dia**

Contact Size	Ø U
23	.022 (0.56)
	.018 (0.46)
20	.028 (0.71)
	.024 (0.61)
16	.042 (1.07)
	.038 (0.97)
12	.096 (2.44)
	.092 (2.34)

**Dimensions**

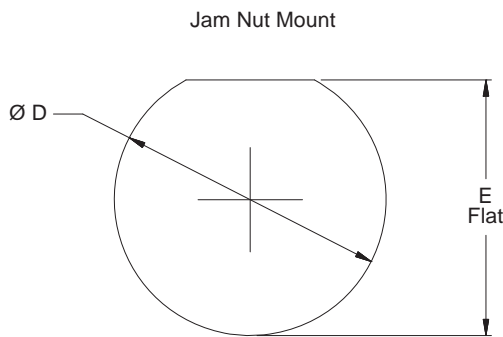
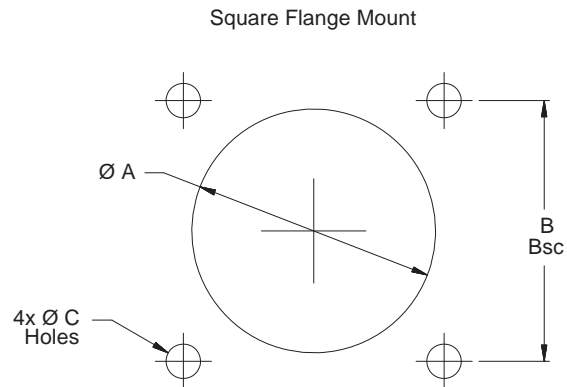
Shell Size	A Thread	B Dia	C Dia	D Sq	E Bsc	F Holes	G Dia	H Flat	J Flat	K Thread
8	.5000-1P-.3L-TS-2A	.413 (10.5)	1.150 (29.2)	.850 (21.6)	.660 (16.8)	.096 (2.4) .091 (2.3)	.760 (19.3)	.730 (18.5)	.535 (13.6)	.5625-28 UN-2A
9	.5625-1P-.3L-TS-2A	.500 (12.7)	1.230 (31.2)	.913 (23.2)	.723 (18.4)		.880 (22.4)	.850 (21.6)	.661 (16.8)	.6875-28 UN-2A
10	.6250-1P-.3L-TS-2A	.530 (13.5)	1.330 (33.7)	.975 (24.8)	.785 (19.9)		.880 (22.4)	.850 (21.6)	.661 (16.8)	.6875-28 UN-2A
11	.6875-1P-.3L-TS-2A	.610 (15.5)	1.410 (35.8)	1.039 (26.4)	.848 (21.5)		.955 (24.3)	.925 (23.5)	.721 (18.3)	.7500-28 UN-2A
12	.7500-1P-.3L-TS-2A	.655 (16.6)	1.500 (38.1)	1.099 (27.9)	.909 (23.1)		1.060 (26.9)	1.035 (26.3)	.784 (19.9)	.8125-28 UN-2A
13	.8125-1P-.3L-TS-2A	.685 (17.4)	1.590 (40.4)	1.163 (29.5)	.973 (24.7)	.130 (3.3) .126 (3.2)	1.120 (28.4)	1.090 (27.7)	.843 (21.4)	.8750-28 UN-2A
15	.9375-1P-.3L-TS-2A	.746 (18.9)	1.750 (44.5)	1.288 (32.7)	1.058 (26.9)		1.203 (30.6)	1.173 (29.8)	.970 (24.6)	1.000-28 UN-2A
18	1.1250-1P-.3L-TS-2A	.871 (22.1)	2.000 (50.8)	1.475 (37.5)	1.255 (31.9)		1.389 (35.3)	1.359 (34.5)	1.147 (29.1)	1.187-28 UN-2A
19	1.1870-1P-.3L-TS-2A	.972 (24.7)	2.094 (53.2)	1.537 (39.0)	1.327 (33.7)		1.450 (36.8)	1.420 (36.1)	1.221 (31.0)	1.250-28 UN-2A
21	1.3125-1P-.3L-TS-2A	1.084 (27.5)	2.270 (57.7)	1.663 (42.2)	1.452 (36.9)		1.590 (40.4)	1.560 (39.6)	1.350 (34.3)	1.3750-28 UN-2A
23	1.4375-1P-.3L-TS-2A	1.186 (30.1)	2.440 (62.0)	1.787 (45.4)	1.570 (39.9)	1.705 (43.3)	1.675 (42.5)	1.470 (37.3)	1.500-28 UN-2A	

Dimensions in inches (millimeters) and are subject to change without notice.

# Series 805 Mighty Mouse Filter Connector Receptacles with Triple-Start ACME Coupling Threads 240-805 Dimensions



Series 805 Mighty Mouse Square Flange Cut-Outs			
Shell Size	ØA	B Bsc	ØC Holes
8	.515 (13.08)	.660 (16.76)	.096 (2.4) .091 (2.3)
9	.578 (14.68)	.723 (18.36)	
10	.640 (16.26)	.785 (19.94)	
11	.703 (17.86)	.848 (21.54)	
12	.765 (19.43)	.909 (23.09)	
13	.828 (21.03)	.973 (24.71)	
15	.953 (24.21)	1.058 (26.87)	.130 (3.3) .126 (3.2)
18	1.140 (28.96)	1.255 (31.88)	
19	1.203 (30.56)	1.327 (33.71)	
21	1.328 (33.73)	1.452 (36.88)	
23	1.453 (36.91)	1.570 (39.88)	



Series 805 Mighty Mouse Jam Nut Cut-Outs		
Shell Size	ØD	E Flat
8	.575 (14.6)	.547 (13.9)
	.571 (14.5)	.543 (13.8)
9	.700 (17.8)	.673 (17.1)
	.696 (17.7)	.669 (17.0)
10	.700 (17.8)	.673 (17.1)
	.696 (17.7)	.669 (17.0)
11	.762 (19.4)	.733 (18.6)
	.758 (19.3)	.729 (18.5)
12	.825 (21.0)	.796 (20.2)
	.821 (20.9)	.792 (20.1)
13	.887 (22.5)	.853 (21.7)
	.883 (22.4)	.849 (21.6)
15	1.012 (25.7)	.982 (24.9)
	1.008 (25.6)	.978 (24.8)
18	1.200 (30.5)	1.159 (29.4)
	1.196 (30.4)	1.155 (29.3)
19	1.262 (32.1)	1.233 (31.3)
	1.258 (32.0)	1.229 (31.2)
21	1.387 (35.2)	1.360 (34.5)
	1.383 (35.1)	1.356 (34.4)
23	1.512 (38.4)	1.482 (37.6)
	1.508 (38.3)	1.478 (37.5)

Dimensions in inches (millimeters) and are subject to change without notice.

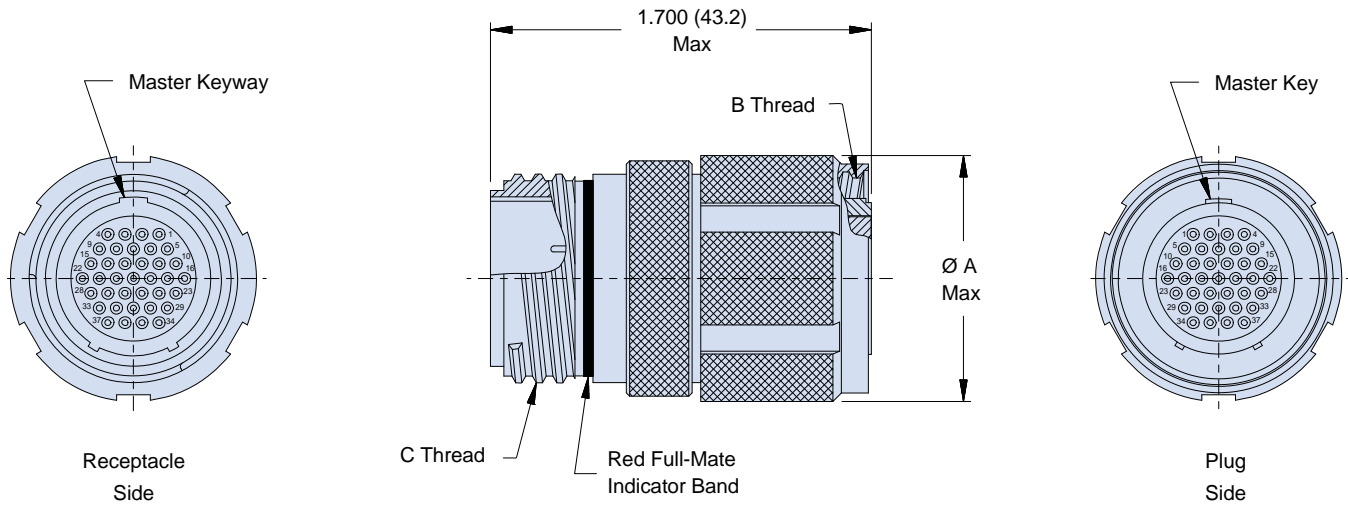




# Series 805 Mighty Mouse Filter Connector Adapter with Triple-Start ACME Coupling Threads 240-805-AA Ordering Information

## Mighty mouse triple-start connector adapter

How To Order	
Sample Part Number	240-805- AA M 8-7 PS P A A
Filter Connector	240-805 = Series 805 Mighty Mouse Triple-Start
Shell Style	AA = Adapter
Shell Material/Finish	See Table I
Insert Arrangement	See pages J-3 – J-7
Contact Gender	PS = Pins, Plug Side SP = Sockets, Plug Side (See Note 2)
Filter Type	P = Pi Circuit C = C Circuit (See Note 1)
Capacitance	See Table II
Alternate Key Position	A, B, C, D, E, F, U A = Normal, U = Universal (See page J-2)



### NOTES

1. Other filter styles (C-L, L-C, Unbalanced Pi, Multi-Stage, Multi-Value) are available, please consult the factory.
2. Please consult factory for Pin/Pin and/or Socket/Socket contact arrangements.

Dimensions in inches (millimeters) and are subject to change without notice.

**Series 805 Mighty Mouse Filter Connector  
Adapter with Triple-Start ACME Coupling Threads  
240-805-AA Dimensions**



Table I: Material and Finish		
Sym	Material	Finish Description
M	Aluminum	Electroless Nickel
MT		Ni-PTFE 1000 Hour Grey™ Nickel Fluorocarbon Polymer
NF		Cadmium, Olive Drab over Electroless Nickel
ZN		Zinc-Nickel, Olive Drab
ZR		Zinc-Nickel, Black - RoHS
ZL	Stainless Steel	Electro-Deposited Nickel

Table II: Capacitor Array Code Capacitance Range		
Class	Pi - Circuit (pF)	C - Circuit (pF)
A	38,000 - 56,000	19,000 - 28,000
B	32,000 - 45,000	16,000 - 22,500
C	18,000 - 33,000	9,000 - 16,500
D	8,000 - 12,000	4,000 - 6,000
E	3,300 - 5,000	1,650 - 2,500
F	800 - 1,300	400 - 650
G	400 - 600	200 - 300
J	70 - 120	35 - 60

Dimensions			
Shell Size	Ø A Max	B Thread	C Thread
8	.870 (22.1)	.5000-.1P-.3L-TS-2B	.5000-.1P-.3L-TS-2A
9	.930 (23.6)	.5625-.1P-.3L-TS-2B	.5625-.1P-.3L-TS-2A
10	1.000 (25.4)	.6250-.1P-.3L-TS-2B	.6250-.1P-.3L-TS-2A
11	1.170 (29.7)	.6875-.1P-.3L-TS-2B	.6875-.1P-.3L-TS-2A
12	1.170 (29.7)	.7500-.1P-.3L-TS-2B	.7500-.1P-.3L-TS-2A
13	1.300 (33.0)	.8125-.1P-.3L-TS-2B	.8125-.1P-.3L-TS-2A
15	1.350 (34.3)	.9375-.1P-.3L-TS-2B	.9375-.1P-.3L-TS-2A
18	1.600 (40.6)	1.1250-.1P-.3L-TS-2B	1.1250-.1P-.3L-TS-2A
19	1.600 (40.6)	1.1875-.1P-.3L-TS-2B	1.1875-.1P-.3L-TS-2A
21	1.750 (44.5)	1.3125-.1P-.3L-TS-2B	1.3125-.1P-.3L-TS-2A
23	1.850 (47.0)	1.4375-.1P-.3L-TS-2B	1.4375-.1P-.3L-TS-2A



Dimensions in inches (millimeters) and are subject to change without notice.



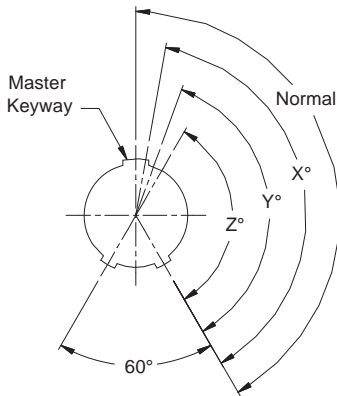
# Series 800 Mighty Mouse Filter Connector

## UN Mating Threads, Solder Cup, PCB Receptacle

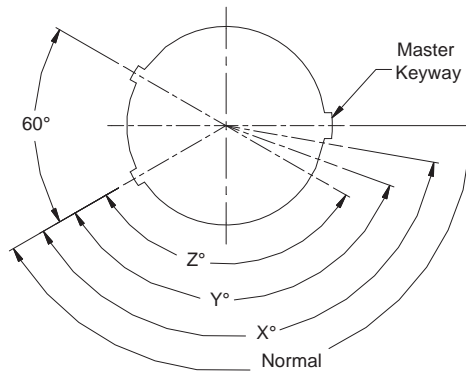
### 240-800 Ordering Information

## Mighty mouse UN mating thread receptacle, square flange or jam nut

How To Order	
<b>Sample Part Number</b>	<span style="background-color: #4a7c59; color: white; padding: 2px;">240-800-</span> <span style="background-color: #4a7c59; color: white; padding: 2px;">02</span> <span style="background-color: #4a7c59; color: white; padding: 2px;">M</span> <span style="background-color: #4a7c59; color: white; padding: 2px;">6-7</span> <span style="background-color: #4a7c59; color: white; padding: 2px;">P</span> <span style="background-color: #4a7c59; color: white; padding: 2px;">P</span> <span style="background-color: #4a7c59; color: white; padding: 2px;">A</span> <span style="background-color: #4a7c59; color: white; padding: 2px;">N</span>
<b>Filter Connector</b>	<b>240-800</b> = Series 800 Mighty Mouse
<b>Shell Style</b>	<b>01</b> = Square flange receptacle with solder cup contacts and banding platform <b>02</b> = Square flange receptacle with PCB contact <b>07</b> = Jam nut receptacle with solder cup contacts and banding platform <b>08</b> = Jam nut receptacle with PCB contacts
<b>Shell Material/Finish</b>	See Table II
<b>Insert Arrangement</b>	See page J-23
<b>Contact Gender</b>	<b>P</b> = Pin <b>S</b> = Socket
<b>Filter Type</b>	<b>P</b> = Pi Circuit <b>C</b> = C Circuit (See Note 1)
<b>Capacitance</b>	See Table III
<b>Alternate Keyway Position</b>	<b>X, Y, Z</b> , <b>N</b> = Normal



Keyway Positions  
(See Table I)  
Shell Sizes 5 & 6



Keyway Positions  
(See Table I)  
Shell Sizes 7 - 12

Alternate Keyway Positions	
Normal	150°
X	140°
Y	130°
Z	120°

# Series 800 Mighty Mouse Filter Connector

## UN Mating Threads, Solder Cup, PCB Receptacle

### 240-800 Dimensions



Contact Arrangements					
Contact Arr.	No. of Contacts				
	#23	#20	#20HD	#16	#12
5-3	3				
6-1				1	
6-23			3		
6-4	4				
6-6	6				
6-7	7				
7-1					1
7-25			5		
7-10	10				
8-2				2	
8-28			8		
8-13	13				
8-200	4	2			
9-4				4	
9-210			10		
9-19	19				
9-200	4			2	
9-201	8	2			
10-2					2
10-5				5	
10-26	26				
10-200	12				1
10-201	4				2
10-202	8			2	
12-2					2
12-3					3
12-7				7	
12-220			20		
12-37	37				
12-200	6				2
12-201	10				2

Material and Finish		
Sym	Material	Finish Description
M	Aluminum	Electroless Nickel
MT		Ni-PTFE 1000 Hour Grey™ Nickel Fluorocarbon Polymer
NF		Cadmium, Olive Drab over Electroless Nickel
ZN		Zinc-Nickel, Olive Drab
ZR		Zinc-Nickel, Black - RoHS
ZL	Stainless Steel	Electro-Deposited Nickel

Capacitor Array Code Capacitance Range		
Class	Pi - Circuit (pF)	C - Circuit (pF)
A	38,000 - 56,000	19,000 - 28,000
B	32,000 - 45,000	16,000 - 22,500
C	18,000 - 33,000	9,000 - 16,500
D	8,000 - 12,000	4,000 - 6,000
E	3,300 - 5,000	1,650 - 2,500
F	800 - 1,300	400 - 650
G	400 - 600	200 - 300
J	70 - 120	35 - 60

PC Tail Dia		
Contact Size	Ø U	
23	.022 (0.56)	
	.018 (0.46)	
20	.028 (0.71)	
	.024 (0.61)	
16	.042 (1.07)	
	.038 (0.97)	
12	.096 (2.44)	
	.092 (2.34)	

Dimensions										
Shell Size	A Thread	B Sq.	C Bsc	Ø D	Ø E	Ø G	H Flat	J Flat	Ø L ±.003 (0.05)	M Flat ±.005 (0.13)
5	.3125-28 UN-2A	.527 (13.4)	.363 (9.2)	.680 (17.3)	.365 (9.3)	.541 (13.7)	.500 (12.7)	.285 (7.2)	.297 (7.54)	.322 (8.18)
6	.3750-28 UN-2A	.588 (14.9)	.423 (10.7)	.750 (19.1)	.409 (10.4)	.610 (15.5)	.562 (14.3)	.352 (8.9)	.360 (9.14)	.385 (9.78)
7	.4375-28 UNEF-2A	.650 (16.5)	.483 (12.3)	.830 (21.1)	.500 (12.7)	.670 (17.0)	.635 (16.1)	.411 (10.4)	.426 (10.82)	.447 (11.35)
8	.5000-32 UN-2A	.710 (18.0)	.542 (13.8)	.938 (23.8)	.522 (13.3)	.775 (19.7)	.735 (18.7)	.473 (12.0)	.481 (12.22)	.510 (12.95)
9	.5625-32 UN-2A	.938 (23.8)	.719 (18.3)	1.250 (31.8)	.610 (15.5)	.875 (22.2)	.806 (20.5)	.530 (13.5)	.539 (13.69)	.572 (14.53)
10	.6250-32 UN-2A	.938 (23.8)	.719 (18.3)	1.250 (31.8)	.652 (16.6)	.980 (24.9)	.940 (23.9)	.604 (15.3)	.612 (15.54)	.635 (16.13)
12	.7500-28 UN-2A	1.031 (26.2)	.812 (20.6)	1.375 (34.9)	.746 (18.9)	1.062 (27.0)	.986 (25.0)	.712 (18.1)	.719 (18.26)	.760 (19.30)

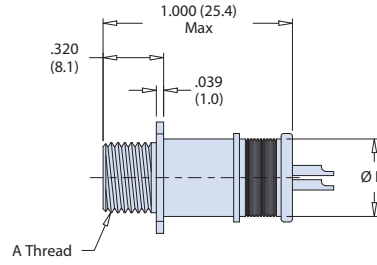
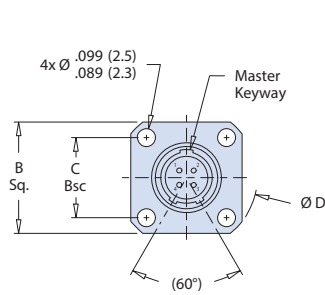
Dimensions in inches (millimeters) and are subject to change without notice.



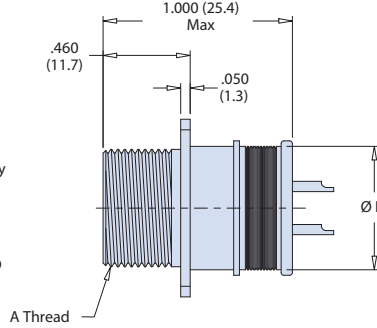
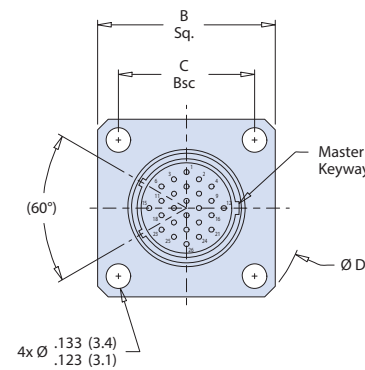
# Series 80 Mighty Mouse Filter Receptacle Connector

## UN Mating Threads, Square Flange

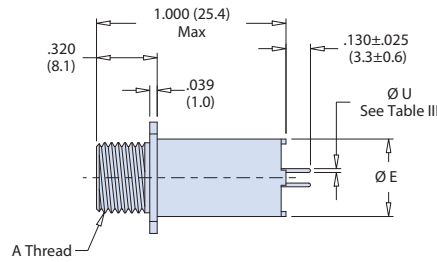
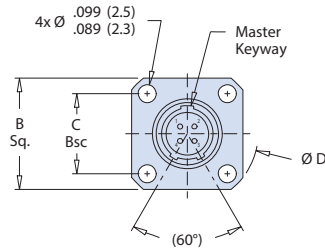
### 240-800 Dimensions



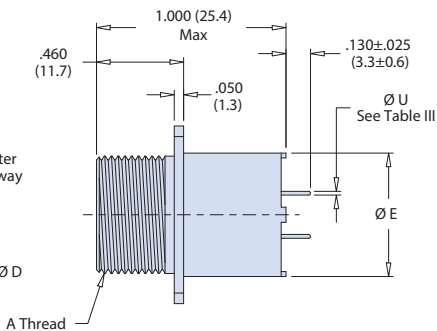
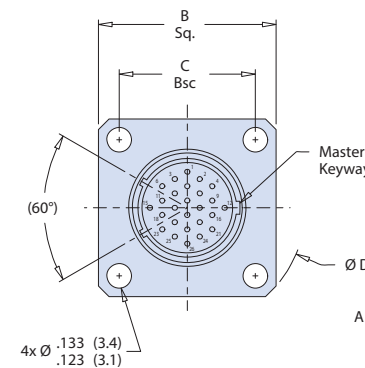
-01 Solder Cup  
Sq. Flange Mount  
Shell Sizes 5 & 6



-01 Solder Cup  
Sq. Flange Mount  
Shell Sizes 7 - 12



-02 PC Tail  
Sq. Flange Mount  
Shell Sizes 5 & 6



-02 PC Tail  
Sq. Flange Mount  
Shell Sizes 7 - 12

Dimensions in inches (millimeters) and are subject to change without notice.

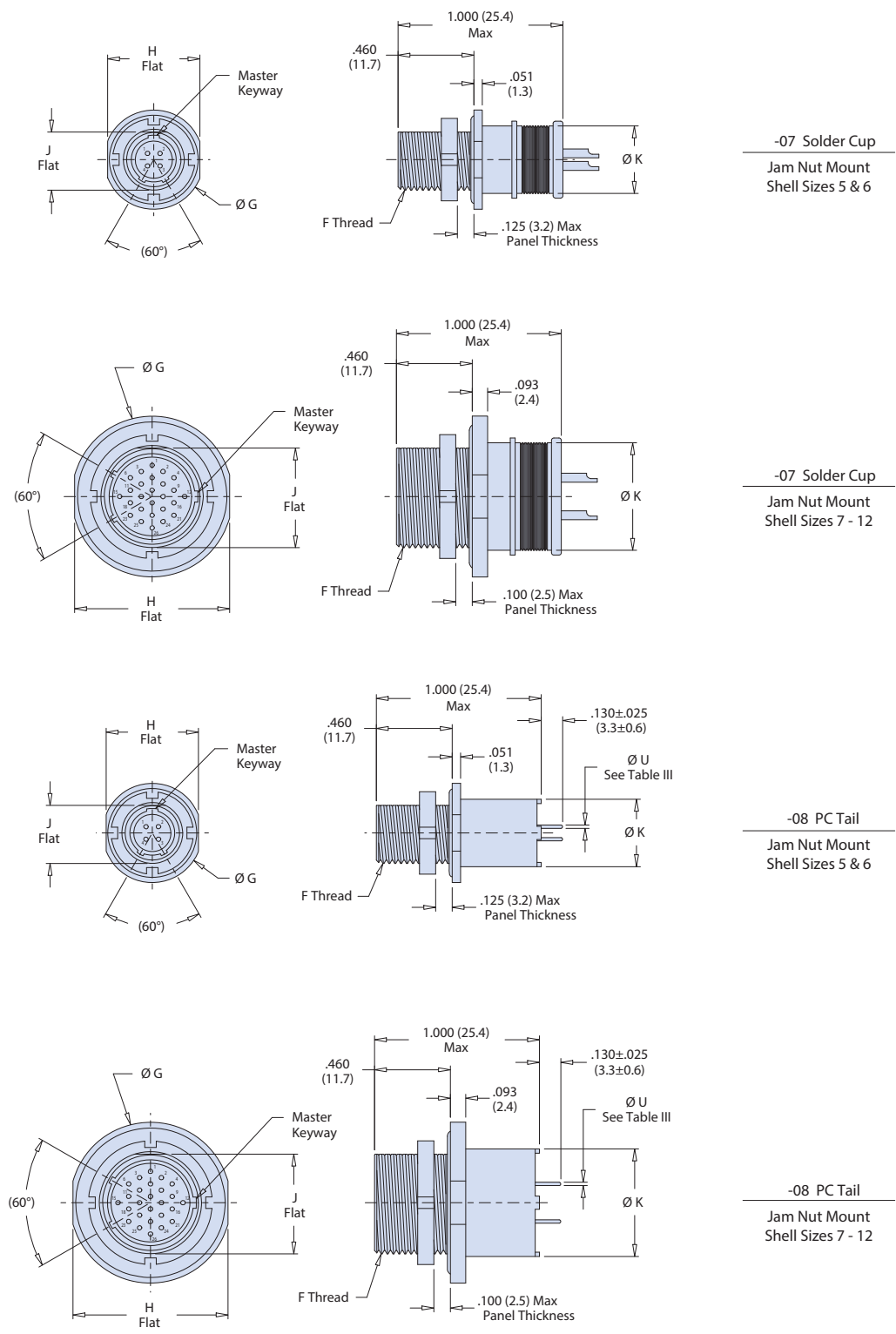




# Series 800 Mighty Mouse Filter Receptacle Connector

## UN Mating Threads, Jam Nut

### 240-800 Dimensions



-07 Solder Cup  
Jam Nut Mount  
Shell Sizes 5 & 6

-07 Solder Cup  
Jam Nut Mount  
Shell Sizes 7 - 12

-08 PC Tail  
Jam Nut Mount  
Shell Sizes 5 & 6

-08 PC Tail  
Jam Nut Mount  
Shell Sizes 7 - 12

Dimensions in inches (millimeters) and are subject to change without notice.



SIZE #8  
CONTACTS

# EL OCHITO™

El  
Ochito

The ultimate Ethernet contact—100% drop-in solution for size #8 cavity Mighty Mouse insert arrangements



The "Little Eight": Eight miniaturized contacts in a size #8 shielded module—1G/10G Ethernet ready, with dramatic size and weight reduction when compared to Quadrax

- One full Ethernet channel per size #8 cavity
- 100% drop-in solution to installed connectors—no redesign or reinstallation of interfaces
- Full inter- and intra-pair shielding—all cable shielding virtues preserved through contact cavity
- Dramatic cable and connector weight reduction compared to Quadrax links
- Ideal high-speed copper interface for military and commercial aerospace high-datarate applications

**Gl**enair®

Glenair, Inc.  
1211 Air Way  
Glendale, CA  
91201-2497  
818-247-6000  
sales@glenair.com  
www.glenair.com

# New Mighty Mouse Layouts with Size #8 Quadrax, Twinax, Coax or Power Contacts

## Table of Contents and Introduction



Mighty Mouse  
with #8 Contacts

### PRODUCT SELECTION GUIDE

K



#### Series 801 Plug and Receptacle Connectors

Rugged double-start ACME mating threads.

Page K-9



#### Series 805 Plug and Receptacle Connectors

Rugged Triple-Start ACME mating threads, EMI ground spring, ratchet anti-decoupling mechanism.

Page K-16



#### #8 Power Contacts

Power contacts are supplied with connectors or ordered separately.

Page K-22



#### 75 Ohm Coax Contacts for High-Frequency Video

DC - 4GHz. For RS170 and SMPTE 292M video cables.

Page K-24



#### 50 Ohm Coax Contacts for LLSB-200 Low Loss Cable

DC - 2.5GHz.

Page K-26



#### Quadrax Contacts for 100BASE-T Ethernet

Size 8 multi-pin contacts with four signal pins and an outer contact body. Used for ARINC 664 100BASE-T Ethernet

Page K-28



#### Concentric Twinax Contacts for MIL-STD-1553 Databus

Page K-30



#### 100 Ohm Differential Twinax Contacts for Controlled Impedance Shielded Pair Cable

Page K-32



#### Coax Contacts for Rg180 Cable

Page K-34

Dimensions in Inches (millimeters) are subject to change without notice.



## Mighty Mouse Connectors with Size #8 Quadrax, Twinax, Coax or Power Contacts

### General Information

K



**Series 805 Plug**  
with Quadrax Contacts



**Series 801 Plug**  
with #8 Power Contacts

# MIGHTY MOUSE

- Size #8 contacts
- 1, 2, 3, 4 or 5 contacts
- Snap-in, rear-release
- Quadrax, Twinax, Coax or power contacts
- Lightweight, low profile
- Comprehensive range of assembly tooling

## Now Available, Mighty Mouse Connectors with Industry—Standard size 8 Quadrax, Coax, Twinax and Power Contacts

New Mighty Mouse connectors have size #8 snap-in, rear-release contacts for power and data applications. Available with 1, 2, 3, 4 or 5 contacts, these connectors meet the need for a low-profile, lightweight connector compatible with size #8 twinax, quadrax and Coax contacts used in MIL-DTL-38999 connectors. Quadrax contacts are 100 ohm impedance for Ethernet networks. Concentric Twinax contacts accept M17/176-000 cable for MIL-STD-1553 databus. 75 ohm coaxial contacts accept aerospace-grade SMPTE 424M high bit rate digital video cable. Power contacts accept size #8 AWG wire for up to 46 amps continuous duty.

## Series 80 Mighty Mouse Connectors, Cordsets and Accessories

Save weight and space with the Glenair Mighty Mouse. The Series 80 product family includes 68 contact arrangements and a wide variety of styles to fit every application. Widely used in aerospace, tactical and harsh environment equipment, the Mighty Mouse connector is unequalled for versatility and availability.



Dimensions in Inches (millimeters) are subject to change without notice.

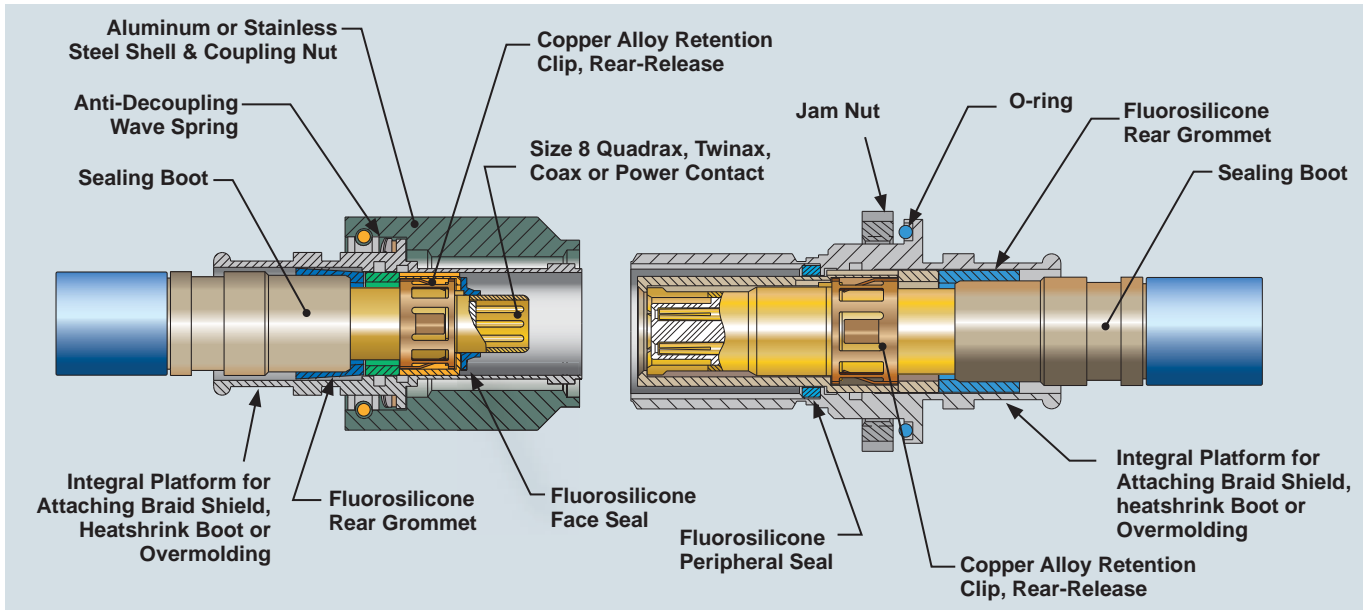
# Mighty Mouse Connectors with Size #8 Quadrax, Twinax, Coax or Power Contacts

## General Information



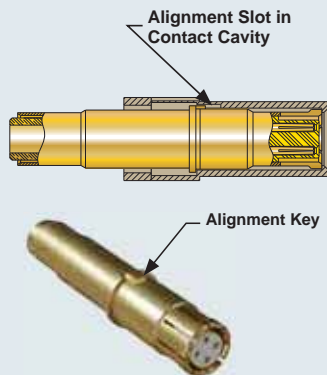
Mighty Mouse  
with #8 Contacts

**K**



### About Keyed Contacts

Mighty Mouse connectors with size #8 cavities have an alignment slot inside the contact cavity. Quadrax contacts and differential twinax contacts have an alignment key to properly orient the contact.



### Connector Specifications

Current Rating	#8 power contacts 46 Amps. For coax, twinax, and quadrax contacts refer to following pages
Dielectric Withstanding Voltage	1800 VAC Sea Level
Insulation Resistance	5000 megohms minimum
Operating Temperature	-65° C. to +175° C.
Shock	300 g.
Vibration	37 g.
Shielding Effectiveness	55 dB minimum from 100MHz to 1000MHz.
See Series 80 Mighty Mouse catalog for complete performance specs.	

### Materials and Finishes

Shells, Jam Nuts	Aluminum alloy or stainless steel
Contacts	Copper alloy, 50 µlnch gold plated
Insulator	Liquid crystal polymer (LCP)
Contact Retention Clip	Beryllium copper alloy
Interfacial Seal, O-rings, Wire Sealing Grommet	Fluorosilicone rubber
See Series 80 Mighty Mouse catalog for complete material and finish specs.	

### Size #8 Metal Inserts

No of Contacts	Series 800, 802, 803, 804	801	805
1	8G1	8G1	10G1
2	14G2	16G2	18G2
3	15G3	17G3	19G3
4	19G4	19G4	21H4
5	21G5	21G5	23G5

Dimensions in Inches (millimeters) are subject to change without notice.



## Series 80 Mighty Mouse EI Ochito™ “The Little Eight”

K



Series 801  
Mighty Mouse  
cordset with  
EI Ochito™

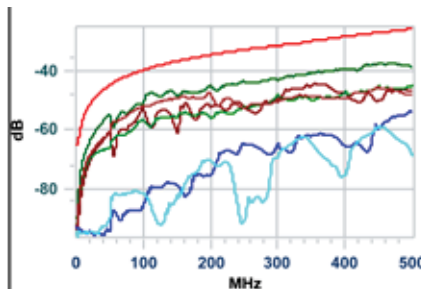
Exploded View

- EI Ochito™ (“The Little Eight”): Eight miniaturized contacts in a size #8 shielded module
- With low-insertion-force Stinger contact technology
- One Full Ethernet channel per cavity
- 100% drop-in solution to installed connectors—no redesign or reinstallation of interfaces
- Full inter- and intra-pair shielding—all cable shielding virtues preserved through contact cavity
- Dramatic cable weight reduction compared to Quadrax links
- Ideal high-speed copper interface for IFE video and other high datarate applications

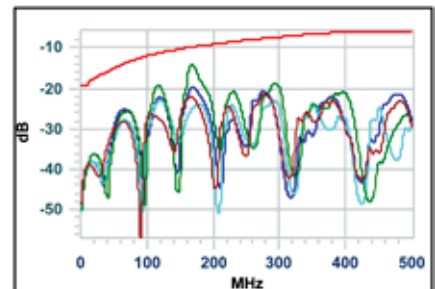
**Dramatic size and weight reduction in 1G/10G Ethernet networks, available now with the Series 80 Mighty Mouse EI Ochito™**



EI Ochito™ is a drop-in solution for Series 80 Mighty Mouse, as well as D38999, EN4165, and ARINC connectors



Near End Crosstalk · Cat 6a · 500 MHz



Return Loss · Cat 6a · 500 MHz

EI Ochito™ utilizes Stinger™ contact technology. These durable, low insertion force, front release contacts feature integrated retention clips and o-ring sealing for optimized performance in EI Ochito™ (“The Little Eight”)



### How-To-Order EI Ochito™ Contacts

858-003 Size 8 Ochito 26-awg crimp or solder Pin	858-004 Size 8 Ochito 26-awg crimp or solder Socket	858-007 PC-Tail Ochito Pin	858-008 PC-Tail Ochito Socket

Dimensions in Inches (millimeters) are subject to change without notice.

# Mighty Mouse Connectors with Size #8 Quadradx, Twinax, Coax or Power Contacts

## Insert Arrangements



Mighty Mouse  
with #8 Contacts

K

### Series 801 and 805 Mighty Mouse size 8 contact arrangements

Mighty Mouse #8 Contact Arrangements					
Mating Face					
Series 801	8-1	16-2	17-3	19-4	21-5
Series 805	10-1	18-2	19-3	21-4	23-5

### Series 801 and 805 Mighty Mouse size 8 combo contact arrangements

Combo Contact Arrangements		
Shell Size Contact Arr.	No. of Contacts	
	#23	8
<b>Series 801</b>		
16-208	32	1
17-205	40	1
19-201	44	2
19-202	12	4
21-200	28	4
<b>Series 805</b>		
18-208	32	1
19-205	40	1
21-201	44	2
21-202	12	4
23-200	28	4

Mighty Mouse #8 Combo Contact Arrangements			
Mating Face			
Series 801	16-208	17-205	19-201
Series 805	18-208	19-205	21-201

Mighty Mouse #8 Combo Contact Arrangements		
Mating Face		
Series 801	19-202	21-200
Series 805	21-202	23-200

Dimensions in Inches (millimeters) are subject to change without notice.



# Mighty Mouse Connectors with Size #8 Quadrx, Twinax, Coax or Power Contacts

## PCB Footprints

K

### Series 801 and 805 Mighty Mouse size 8 PCB footprints

Mighty Mouse #8 Contact Arrangements			
PCB Footprint			
Series 801	8-1	16-2	17-3
Series 805	10-1	18-2	19-3

Mighty Mouse #8 Contact Arrangements		
PCB Footprint		
Series 801	19-4	21-5
Series 805	21-4	23-5

Dimensions in Inches (millimeters) are subject to change without notice.



# Mighty Mouse Connectors with Size #8 Quadradx, Twinax, Coax or Power Contacts

## Combo PCB Footprints



Mighty Mouse  
with #8 Contacts

**K**

### Series 801 and 805 Mighty Mouse size 8 combo PCB footprints

Mighty Mouse #8 Contact Arrangements		
PCB Footprint		
	Series 801	16-208
Series 805	18-208	19-205

Mighty Mouse #8 Contact Arrangements	
PCB Footprint	
Series 801	19-201
Series 805	21-201

Dimensions in Inches (millimeters) are subject to change without notice.



# Mighty Mouse Connectors with Size #8 Quadrx, Twinax, Coax or Power Contacts Combo PCB Footprints

## Series 801 and 805 Mighty Mouse size 8 combo PCB footprints

K

Mighty Mouse #8 Contact Arrangements		
PCB Footprint		
Series 801	19-202	21-200
Series 805	21-202	23-200

Dimensions in Inches (millimeters) are subject to change without notice.

# Series 801 Mighty Mouse Plug Connector with Size #8 Quadrax, Twinax, Coax or Power Contacts

## 801-007 and 801-008 Ordering Information



### Series 801 Plug Connectors with Size #8 Contacts

New Mighty Mouse contact arrangements accept size #8 contacts for power, Ethernet or high frequency coax applications. Series 801 Mighty Mouse plugs feature damage-resistant double-start ACME mating threads. Available with anti-decoupling feature or vibration-resistant ratchet mechanism, these plugs are supplied with power contacts (contact types P or S). Or, specify contact types A or B for connectors supplied less contacts for use with quadrax, twinax or coax contacts purchased separately.

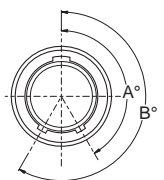
Contacts are crimp type and are snap-in, rear-release with plastic extraction tool sold separately. Aluminum or stainless steel shell, thermoplastic insulators, fluorosilicone rubber seals.

Optional wire sealing boot is recommended. See boot ordering information on page K-10.

How To Order						
<b>Sample Part Number</b>	<b>801-007</b>	<b>-16</b>	<b>M</b>	<b>8-1</b>	<b>P</b>	<b>A</b>
<b>Series (See Table I)</b>	<b>801-007</b> = Plug with Banding Platform <b>801-008</b> = Plug with Accessory Thread					
<b>Shell Style</b>	<b>-16</b> = Plug with Anti-Decoupling Spring <b>-26</b> = Self-Locking Plug with Ratchet Mechanism					
<b>Shell Material and Finish</b>	<b>M</b> = Aluminum / Electroless Nickel RoHS Compliant <b>NF</b> = Aluminum / Cadmium with Olive Drab Chromate <b>ZR</b> = Aluminum / Zinc-Nickel with Non-Reflective Black Chromate RoHS Compliant <b>MT</b> = Aluminum / Nickel-PTFE RoHS Compliant <b>Z1</b> = Stainless Steel / Passivated RoHS Compliant					
<b>Shell Size - Insert Arrangement</b>	<b>8-1, 16-2, 16-208, 17-3, 17-205, 19-4, 19-201, 19-202, 21-5, 21-200</b> (See page K-2)					
<b>Contact Type</b>	<b>Connector supplied with size #8 power contacts</b> <b>P</b> = Pin with #8 Power Contacts <b>S</b> = Socket with #8 Power Contacts			<b>Connector supplied without contacts (Order quadrax, twinax or coax contacts separately.)</b> <b>A</b> = Pin Connector, Less Contacts <b>B</b> = Socket Connector, Less Contacts		
<b>Shell Key Positions (See Table II)</b>	<b>A</b> = Normal <b>B</b> = Pos. B <b>C</b> = Pos. C <b>D</b> = Pos. D <b>E</b> = Pos. E <b>F</b> = Pos. F					

Table I: Series	
<b>801-007</b> Plug with Banding Platform	<b>801-008</b> Plug with Accessory Thread

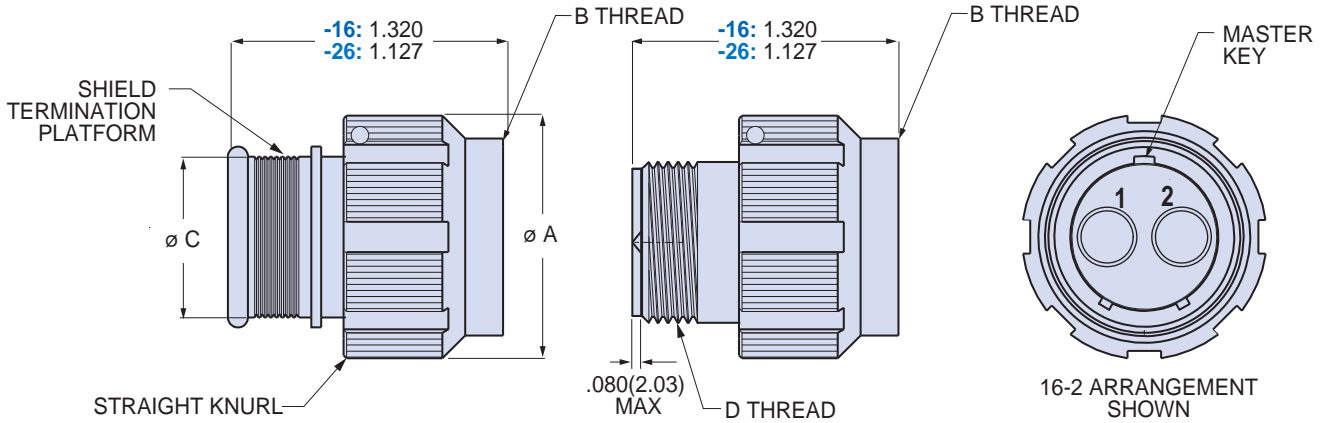
Table II: Shell Key Positions		
Position	A°	B°
A	150°	210°
B	75°	210°
C	95°	230°
D	140°	275°
E	75°	275°
F	95°	210°



Dimensions in Inches (millimeters) are subject to change without notice.

K

**Plug with anti-decoupling or self-locking mechanism - shell style 16/26**



**Integral Band Platform**  
801-007

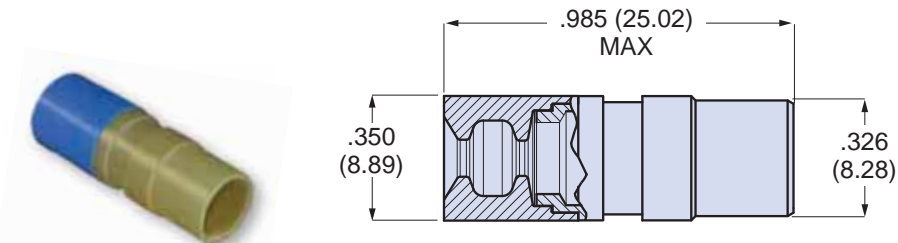
**Accessory Thread**  
801-008

Dimensions								
Shell Size.	Style 16		Style 26		B Thread	Ø C		D Thread UNEF-2A
	Ø A		Ø A			In.	mm.	
	In.	mm.	In.	mm.				
8	.750	19.05	.830	21.59	.5000-.05P-.1L-2B	.445	11.30	.5000-28
16	1.240	31.50	1.340	34.04	1.000-.1P-.2L-2B	.805	20.45	.9375-20
17	1.300	33.02	1.400	35.56	1.062-.1P-.2L-2B	.850	21.59	.9375-20
19	1.400	35.56	1.500	38.10	1.1875-.1P-.2L-DS-2B	1.003	25.48	1.0625-18
21	1.550	39.37	1.650	41.91	1.3125-.1P-.2L-2B	1.110	28.19	1.1875-18

**Sealing Boot**

Sealing boot provides wire seal. Slide boot onto wire before terminating contact. After contact is installed in connector, slide boot forward into connector grommet to seal the contact cavity. "F" suffix added on contact part number specifies contact supplied with sealing boot P/N 859-042-03.

Wire Dia. (in.)	Wire Dia. (mm.)	Part Number
.090 - .130	2.3 - 3.3	<b>859-042-01</b>
.130 - .170	3.3 - 4.3	<b>859-042-02</b>
.170 - .205	4.3 - 5.2	<b>859-042-03</b>



Dimensions in Inches (millimeters) are subject to change without notice.

# Series 801 Mighty Mouse Receptacle Connector with Size #8 Quadrax, Twinax, Coax or Power Contacts

## 801-009 and 801-010 Ordering Information



Mighty Mouse  
with #8 Contacts

K



### Series 801 Receptacle Connectors with Size #8 Contacts

New Mighty Mouse contact arrangements accept size #8 contacts for power, Ethernet or high frequency coax applications. Series 801 Mighty Mouse receptacles feature damage-resistant double-start ACME mating threads. Available for rear panel jam nut mounting, in-line or square flange styles, these receptacles are supplied with power contacts (contact types P or S). Or, specify contact types A or B for connectors supplied less power contacts for use with quadrax, twinax or coax contacts purchased separately. Contacts are crimp type and are snap-in, rear-release with plastic extraction tool sold separately. Aluminum or stainless steel shell, thermoplastic insulators, fluorosilicone rubber seals.

Optional wire sealing boot is recommended. See boot ordering information on page K-12.

How To Order		801-010	-02	Z1	17-3	P	A
<b>Sample Part Number</b>							
<b>Series (See Table I)</b>	<b>801-009</b> = Receptacle with Banding Platform <b>801-010</b> = Receptacle with Accessory Thread						
<b>Shell Style</b>	<b>-01</b> = In-Line For Free-Hanging Cables <b>-02</b> = Square Flange For Front or Rear Mounting <b>-12</b> = Square Flange For Rear Mounting with Non-Locking Clinch Nuts <b>-22</b> = Square Flange For Rear Mounting with Locking Clinch Nuts <b>-07</b> = Jam Nut For Rear Panel Mounting						
<b>Shell Material and Finish</b>	<b>M</b> = Aluminum / Electroless Nickel RoHS Compliant <b>NF</b> = Aluminum / Cadmium with Olive Drab Chromate <b>ZR</b> = Aluminum / Zinc-Nickel with Non-Reflective Black Chromate RoHS Compliant <b>MT</b> = Aluminum / Nickel-PTFE RoHS Compliant <b>Z1</b> = Stainless Steel / Passivated RoHS Compliant						
<b>Shell Size - Insert Arrangement</b>	<b>8-1, 16-208, 16-2, 17-3, 17-205, 19-4, 21-5, 19-201, 19-202, 21-200</b> (See page K-2)						
<b>Contact Type</b>	<b>Connector supplied with #8 power contacts</b> <b>P</b> = Pin with #8 Power Contacts <b>A</b> = Pin Connector, Less Contacts		<b>Connector supplied without contacts (Order quadrax, twinax or coax contacts separately.)</b> <b>S</b> = Socket with #8 AWG Power Contacts <b>B</b> = Socket Connector, Less Contacts				
<b>Shell Key Positions (See Table II)</b>	<b>A</b> = Normal <b>B</b> = Pos. B <b>C</b> = Pos. C <b>D</b> = Pos. D <b>E</b> = Pos. E <b>F</b> = Pos. F						

Table I: Series	
<b>801-009</b> Receptacle with Banding Platform	<b>801-010</b> Receptacle with Accessory Thread

Table II: Shell Key Positions			
Position	A°	B°	
A	150°	210°	
B	75°	210°	
C	95°	230°	
D	140°	275°	
E	75°	275°	
F	95°	210°	

Dimensions in Inches (millimeters) are subject to change without notice.

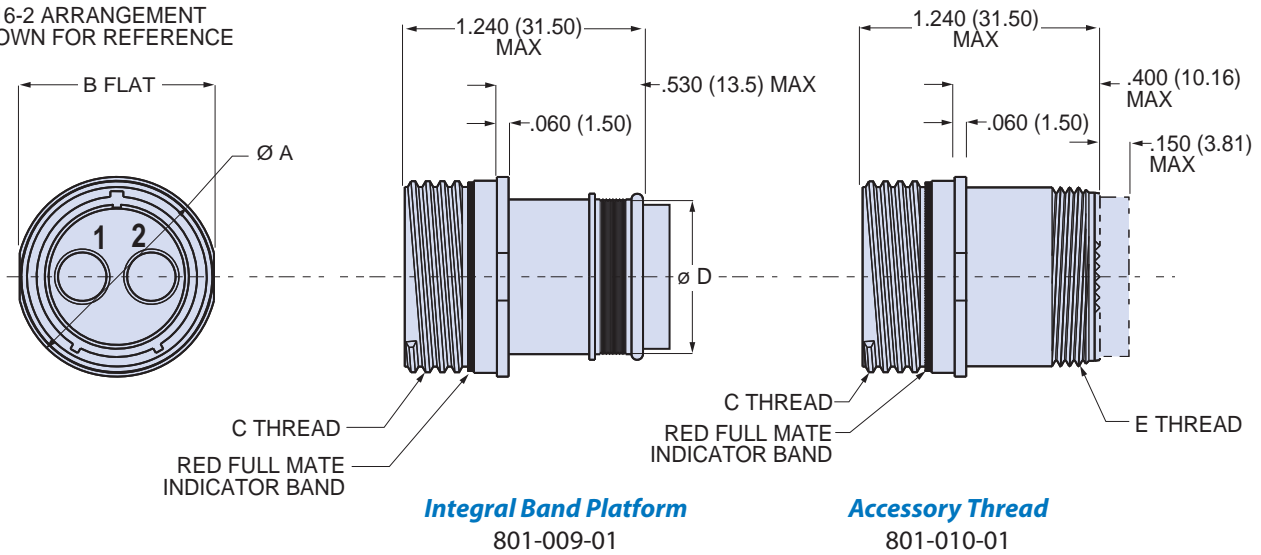


Series 801 In-Line Mighty Mouse Receptacle with Size #8  
Quadrax, Twinax, Coax or Power Contacts  
801-009 and 801-010 - Shell Style -01 Dimensions

K

**In-line cable receptacle with band platform or accessory thread**

16-2 ARRANGEMENT  
SHOWN FOR REFERENCE



**Integral Band Platform**  
801-009-01

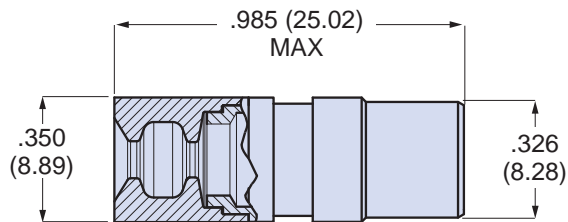
**Accessory Thread**  
801-010-01

Dimensions								
Shell Size	Ø A		B Flat		C Thread	Ø D		E Thread UNEF-2A
	In.	mm.	In.	mm.		In.	mm.	
8	.540	13.72	.510	12.95	.5000-.05P-.1L-DS-2A	.445	11.30	.5000-28
16	1.040	26.42	1.010	25.65	1.000-.1P-.2L-DS-2A	.805	20.45	.9375-20
17	1.110	28.19	1.070	27.18	1.0625-.1P-.2L-DS-2A	.850	21.59	.9375-20
19	1.243	31.57	1.191	30.25	1.1875-.1P-.2L-DS-2A	.956	24.28	1.0625-18
21	1.405	35.69	1.385	35.18	1.3125-.1p-.2l-DS-2a	1.110	28.19	1.1875-18

**Sealing Boot**

Sealing boot provides wire seal. Slide boot onto wire before terminating contact. After contact is installed in connector, slide boot forward into connector grommet to seal the contact cavity. "F" suffix added on contact part number specifies contact supplied with sealing boot P/N 859-042-03.

Wire Dia. (in.)	Wire Dia. (mm.)	Part Number
.090 - .130	2.3 - 3.3	859-042-01
.130 - .170	3.3 - 4.3	859-042-02
.170 - .205	4.3 - 5.2	859-042-03



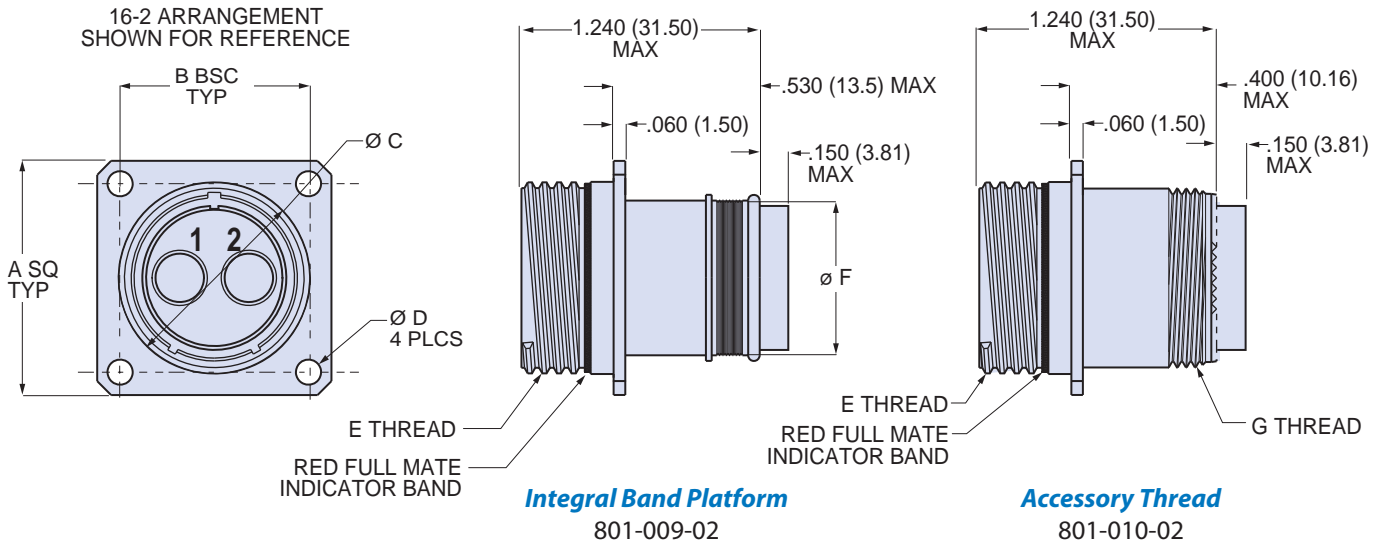
Dimensions in Inches (millimeters) are subject to change without notice.

Series 801 Square Flange Mighty Mouse Receptacle with  
 Size #8 Quadrax, Twinax, Coax or Power Contacts  
 801-009 and 801-010 - Shell Style -02 Dimensions



Mighty Mouse  
with #8 Contacts

**Square flange receptacle with band platform or accessory thread**



Dimensions												
Shell Size	A		B BSC		Ø C		Ø D		E Thread	Ø F		G Thread UNEF-2A
	In.	mm.	In.	mm.	In.	mm.	In.	mm.		In.	mm.	
8	.712	18.08	.545	13.84	.938	23.83	.093	2.36	.5000-.05P-1L-DS-2A	.445	11.30	.5000-28
16	1.219	30.96	.981	24.92	1.625	41.28	.128	3.25	1.000-.1P-.2L-DS-2A	.805	20.45	.9375-20
17	1.280	32.51	1.060	26.92	1.700	43.18	.128	3.25	1.0625-.1P-.2L-DS-2A	.850	21.59	.9375-20
19	1.432	36.37	1.191	30.25	1.900	48.26	.128	3.25	1.1875-.1P-.2L-DS-2A	.956	24.28	1.0625-18
21	1.565	39.62	1.322	33.61	2.100	53.34	.128	3.25	1.3125-.1p-.2l-DS-2a	1.110	28.19	1.1875-18

Square Flange Panel Cutout						
Shell Size	Ø A		B BSC		Ø C	
	In.	mm.	In.	mm.	In.	mm.
8	.515	13.08	.545	13.84	.093	2.36
16	1.015	25.78	.981	24.92	.128	3.25
17	1.078	27.38	1.060	26.92	.128	3.25
19	1.203	30.56	1.191	30.25	.128	3.25
21	1.325	33.66	1.205	30.61	.128	3.25

Dimensions in Inches (millimeters) are subject to change without notice.

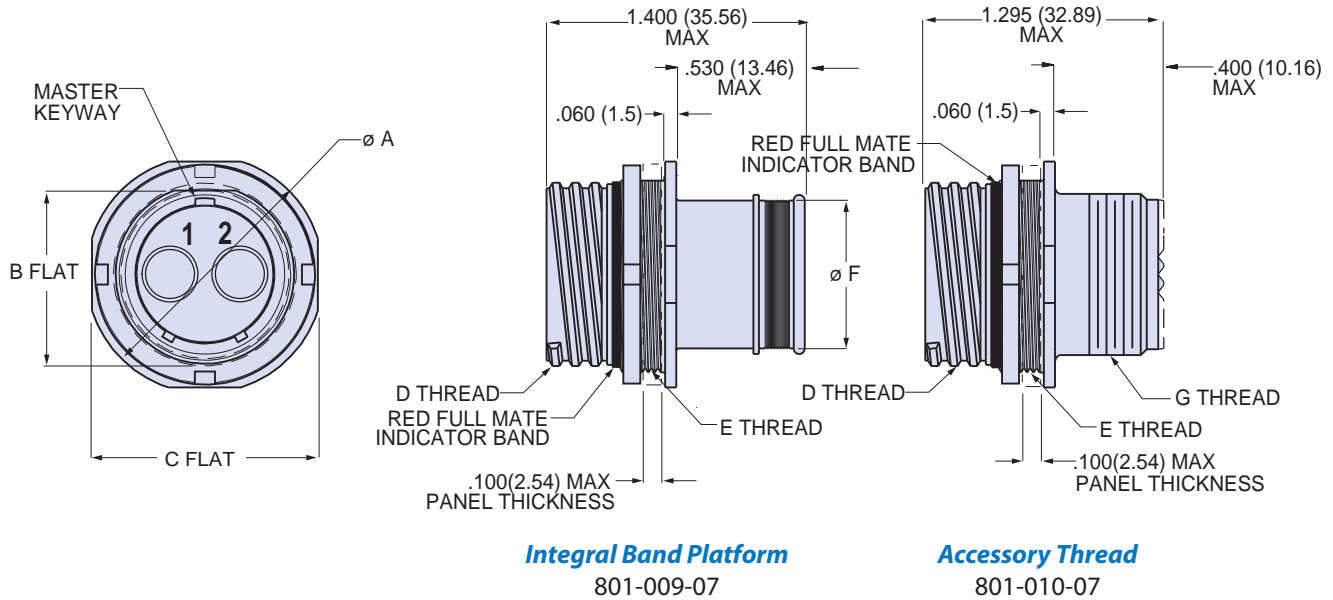
K



Series 801 Jam Nut Mighty Mouse Receptacle with Size #8 Quadrax, Twinax, Coax or Power Contacts  
801-009 and 801-010 - Shell Style -07 Dimensions

K

**Jam nut rear panel mount receptacle with band platform or accessory thread**



Dimensions											
Shell Size	Ø A		B Flat		C Flat		D Thread	E Thread UN-2A	Ø F		G Thread UNEF-2A
	In.	mm.	In.	mm.	In.	mm.			In.	mm.	
8	.755	19.77	.536	13.61	.723	18.36	.5000-.05P-1L-DS-2A	.5625-32	.445	11.30	.5000-28
16	1.264	32.11	1.022	25.96	1.230	31.24	1.000-.1P-.2L-DS-2A	1.0625-20	.805	20.45	.9375-20
17	1.325	33.66	1.096	27.84	1.290	32.77	1.0625-.1P-.2L-DS-2A	1.125-28	.850	21.59	.9375-20
19	1.450	36.83	1.225	31.12	1.415	35.94	1.1875-.1P-.2L-DS-2A	1.250-28	.956	24.28	1.0625-18
21	1.625	41.28	1.345	34.16	1.577	40.06	1.3125-.1p-.2l-DS-2a	1.375-28	1.110	28.19	1.1875-18

Jam Nut Panel Cutout					
Shell Size	A Flat		Ø B		
	In. ± .002	mm. ± 0.05	In. ± .002	mm. ± 0.05	
8	.542	13.77	.573	14.55	
16	1.028	26.11	1.075	27.31	
17	1.102	27.99	1.135	28.83	
19	1.233	31.32	1.260	32.00	
21	1.354	34.39	1.385	35.18	

Dimensions in Inches (millimeters) are subject to change without notice.



# Series 801 Square Flange Mighty Mouse Receptacle with Size #8 Quadrax, Twinax, Coax or Power Contacts

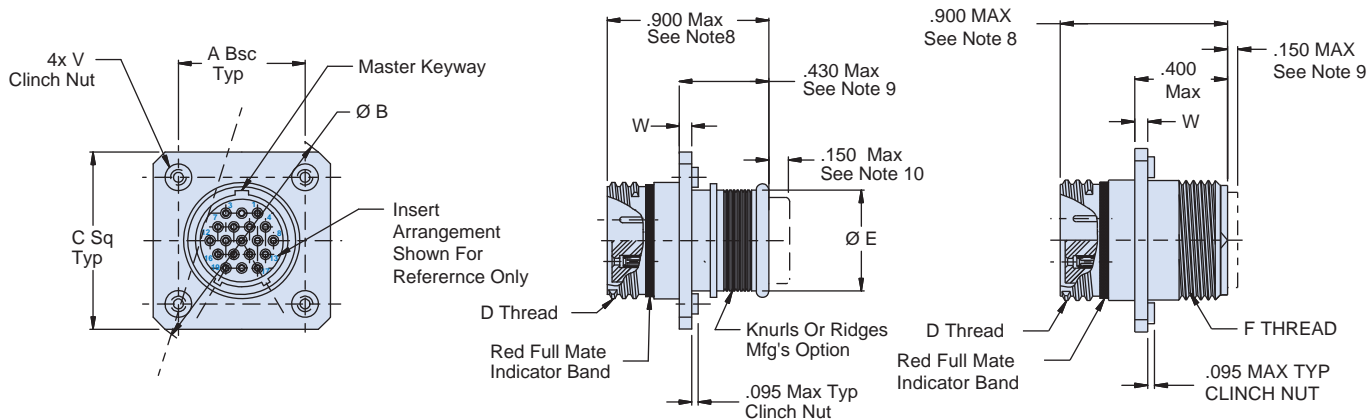
## 801-009 and 801-010 - Shell Style -12 and -22 Dimensions



Mighty Mouse  
with #8 Contacts

**K**

### Square flange rear panel mount receptacle with band platform or accessory thread



**Integral Band Platform**  
801-009-12

**Accessory Thread**  
801-010-12

Dimensions													
Shell Size	A Bsc		ØB		C Sq.		D Thread	Ø E		F Thread	V Clinch Nuts	W	
	In.	mm.	In.	mm.	In.	mm.		In.	mm.			In.	mm.
8	0.545	13.84	1.032	26.21	0.805	20.45	.5000-.05P-.1L-DS-2A	.445	11.30	.5000-28 UNEF-2A	2-56	.030	.76
16	0.981	24.92	1.708	43.38	1.301	33.05	1.0000-.05P-.1L-DS-2A	.805	20.45	.9375-28 UNEF-2A	4-40	.060	1.52
17	1.060	26.92	1.822	46.28	1.382	35.10	1.0625-.05P-.1L-DS-2A	.850	21.59	.9375-28 UNEF-2A			
19	1.191	30.25	2.006	50.95	1.511	38.38	1.1875-.05P-.1L-DS-2A	1.003	25.48	1.0625-28 UNEF-2A			
21	1.322	33.58	2.190	55.63	1.642	41.71	1.3125-.05P-.1L-DS-2A	1.110	28.19	1.1875-28 UNEF-2A			

Square Flange Panel Cutout						
Shell Size	A Bsc		ØB		C Sq.	
	In.	mm.	In.	mm.	In.	mm.
8	.545	13.84	.515	13.08	.096 .091	2.44 2.31
16	.981	24.92	1.015	25.78	.130 .126	3.30 3.20
17	1.060	26.92	1.078	27.38		
19	1.191	30.25	1.203	30.56		
21	1.322	33.58	1.328	33.73		

**-02 Flange  
-12 & 22 Flange**

Dimensions in Inches (millimeters) are subject to change without notice.



# Series 805 Mighty Mouse Size #8 Connector Plug with Quadrax, Twinax, Coax or Power Contacts

## 805-001 and 805-002 - Shell Style -16 Ordering Information

K



### Series 805 Plug Connectors with Size #8 Contacts

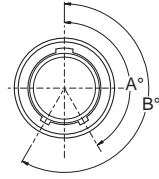
Series 805 Mighty Mouse plugs feature damage-resistant triple start ACME mating threads, anti-decoupling ratchet and ground spring for EMI protection. New Mighty Mouse contact arrangements accept size #8 contacts for power, Ethernet or high frequency coax applications. Available with integral band platform or accessory attachment threads, these plugs are supplied with power contacts for AWG #8 wire (contact types P or S). Or, specify contact types A or B for connectors supplied less power contacts for use with quadrax, twinax or coax contacts purchased separately. Contacts are crimp type and are snap-in, rear-release with plastic extraction tool sold separately. Aluminum or stainless steel shell, thermoplastic insulators, fluorosilicone rubber seals.

Optional wire sealing boot is recommended. See boot ordering information on page K- 17.

How To Order						
<b>Sample Part Number</b>	<b>805-001</b>	<b>-16</b>	<b>M</b>	<b>19-205</b>	<b>P</b>	<b>A</b>
<b>Series (See Table I)</b>	<b>805-001</b> = Plug with Banding Platform <b>805-002</b> = Plug with Rear Accessory Thread					
<b>Shell Style</b>	<b>-16</b> = Plug with Anti-Decoupling Ratchet					
<b>Shell Material and Finish</b>	<b>M</b> = Aluminum / Electroless Nickel RoHS Compliant <b>NF</b> = Aluminum / Cadmium with Olive Drab Chromate <b>ZR</b> = Aluminum / Zinc-Nickel with Non-Reflective Black Chromate RoHS Compliant <b>MT</b> = Aluminum / Nickel-PTFE RoHS Compliant <b>Z1</b> = Stainless Steel / Passivated RoHS Compliant					
<b>Shell Size - Insert Arrangement (See Table II)</b>	<b>10-1, 18-2, 19-3, 21-4, 23-5, 18-208, 19-205, 21-201, 21-202, 23-200</b> (See page K-2)					
<b>Contact Type</b>	<b>Connector supplied with size #8 contacts</b> <b>P</b> = Pin with #8 Power Contacts <b>S</b> = Socket with #8 AWG Power Contacts			<b>Connector supplied without contacts (Order quadrax, twinax or coax contacts separately.)</b> <b>A</b> = Pin Connector, Less Contacts <b>B</b> = Socket Connector, Less Contacts		
<b>Shell Key Positions (See Shell Key Position Table)</b>	<b>A</b> = Normal <b>B</b> = Pos. B <b>C</b> = Pos. C <b>D</b> = Pos. D <b>E</b> = Pos. E <b>F</b> = Pos. F					

Table I: Series	
<b>805-001</b> Plug with Banding Platform	<b>805-002</b> Plug with Accessory Thread

Table II: Shell Key Positions		
Position	A°	B°
A	150°	210°
B	75°	210°
C	95°	230°
D	140°	275°
E	75°	275°
F	95°	210°



Dimensions in Inches (millimeters) are subject to change without notice.

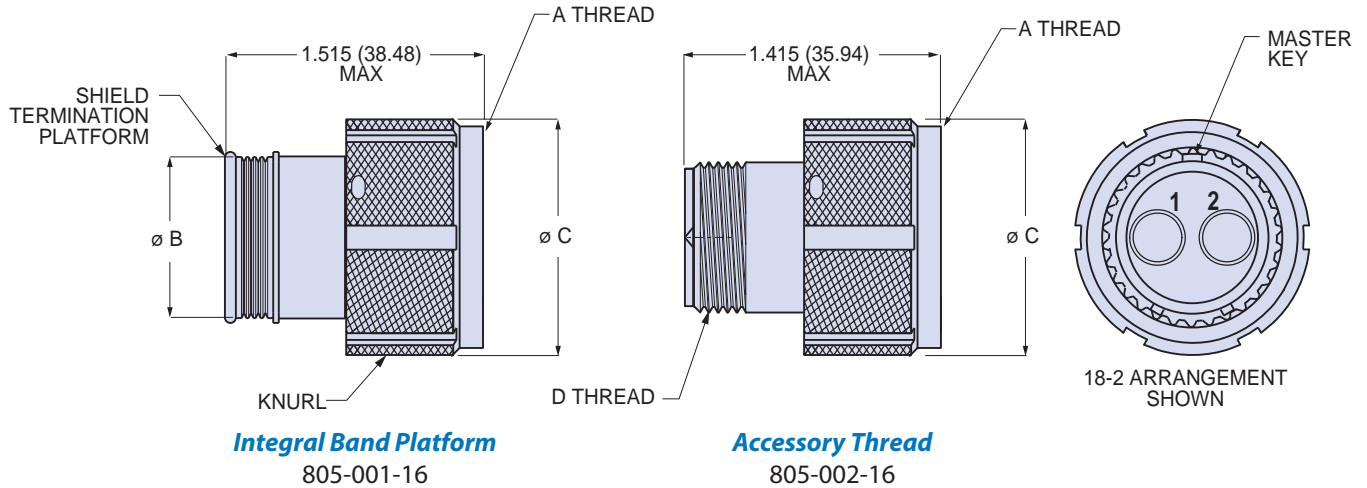
Series 805 Mighty Mouse Size #8 Connector Plug  
with Quadrax, Twinax, Coax or Power Contacts  
805-001 and 805-002 - Shell Style -16 Dimensions



Mighty Mouse  
with #8 Contacts

K

**Plug with band platform or accessory thread - shell style 16**



**Integral Band Platform**  
805-001-16

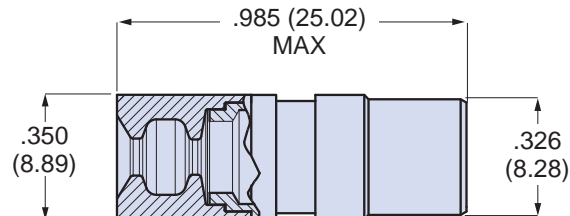
**Accessory Thread**  
805-002-16

Shell Size	A Threads	Dimensions				D Threads Accessory
		Ø B		Ø C		
		In.	mm.	In.	mm.	
10-1	.6250-.1P-.3L-TS-2B	.472	11.99	.827	21.01	.5000-28 UNEF-2A
18-2	1.1250-.1P-.3L-TS-2B	.884	22.45	1.287	32.69	.9375-20 UNEF-2A
19-3	1.1875-.1P-.3L-TS-2B	.884	22.45	1.311	33.30	.9375-20 UNEF-2A
21-4	1.3125-.1P-.3L-TS-2B	1.003	25.48	1.448	36.78	1.0625-18 UNEF-2A
23-5	1.4375-.1P-.3L-TS-2B	1.135	28.83	1.562	39.67	1.1875-18 UNEF-2A

**Sealing Boot**

Sealing boot provides wire seal. Slide boot onto wire before terminating contact. After contact is installed in connector, slide boot forward into connector grommet to seal the contact cavity. "F" suffix added on contact part number specifies contact supplied with sealing boot P/N 859-042-03.

Wire Dia. (in.)	Wire Dia. (mm.)	Part Number
.090 - .130	2.3 - 3.3	859-042-01
.130 - .170	3.3 - 4.3	859-042-02
.170 - .205	4.3 - 5.2	859-042-03



Dimensions in Inches (millimeters) are subject to change without notice.



# Series 805 Mighty Mouse Size #8 Connector Receptacle with Quadrax, Twinax, Coax or Power Contacts

## Series 805-003 and 805-004 Ordering Information

K



### Series 805 Receptacles with Size #8 Contacts

New Mighty Mouse contact arrangements accept size #8 contacts for power, Ethernet or high frequency coax applications. Series 805 Mighty Mouse receptacles feature damage-resistant triple start ACME mating threads. Available with integral band platform or accessory attachment threads, these plugs are supplied with power contacts for AWG #8 wire (contact types P or S). Or, specify contact types A or B for connectors supplied less power contacts for use with quadrax, twinax or coax contacts purchased separately. Contacts are crimp type and are snap-in, rear-release with plastic extraction tool sold separately. Aluminum or stainless steel shell, thermoplastic insulators, fluorosilicone rubber seals.

Optional wire sealing boot is recommended. See boot ordering information on page K-19.

How To Order						
<b>Sample Part Number</b>	<b>805-003</b>	<b>-01</b>	<b>M</b>	<b>19-3</b>	<b>S</b>	<b>A</b>
<b>Series (See Table I)</b>	<b>805-003</b> = Receptacle with Banding Platform <b>805-004</b> = Receptacle with Rear Accessory Thread					
<b>Shell Style</b>	<b>-01</b> = In-Line For Free-Hanging Cables <b>-02</b> = Square Flange For Front or Rear Mounting <b>-12</b> = Square Flange For Rear Mounting with Non-Locking Clinch Nuts <b>-22</b> = Square Flange For Rear Mounting with Locking Clinch Nuts <b>-07</b> = Jam Nut For Rear Panel Mounting					
<b>Shell Material and Finish</b>	<b>M</b> = Aluminum / Electroless Nickel RoHS Compliant <b>NF</b> = Aluminum / Cadmium with Olive Drab Chromate <b>ZR</b> = Aluminum / Zinc-Nickel with Non-Reflective Black Chromate RoHS Compliant <b>MT</b> = Aluminum / Nickel-PTFE RoHS Compliant <b>Z1</b> = Stainless Steel / Passivated RoHS Compliant					
<b>Shell Size - Insert Arrangement (See Table II)</b>	<b>10-1, 18-2, 19-3, 21-4, 23-5, 18-208, 19-205, 21-201, 21-202, 23-200</b> (See page K-2)					
<b>Contact Type</b>	<b>Connector supplied with size #8 contacts</b> <b>P</b> = Pin with #8 Power Contacts <b>S</b> = Socket with #8 AWG Power Contacts			<b>Connector supplied without contacts (Order quadrax, twinax or coax contacts separately.)</b> <b>A</b> = Pin Connector, Less Contacts <b>B</b> = Socket Connector, Less Contacts		
<b>Shell Key Position (See Shell Key Position Table)</b>	<b>A</b> = Normal <b>B</b> = Pos. B <b>C</b> = Pos. C <b>D</b> = Pos. D <b>E</b> = Pos. E <b>F</b> = Pos. F					

Table I: Series	
<b>805-003</b> Receptacle with Banding Platform	<b>805-004</b> Receptacle with Accessory Thread

Table II: Shell Key Positions		
Position	A°	B°
A	150°	210°
B	75°	210°
C	95°	230°
D	140°	275°
E	75°	275°
F	95°	210°

Dimensions in Inches (millimeters) are subject to change without notice.

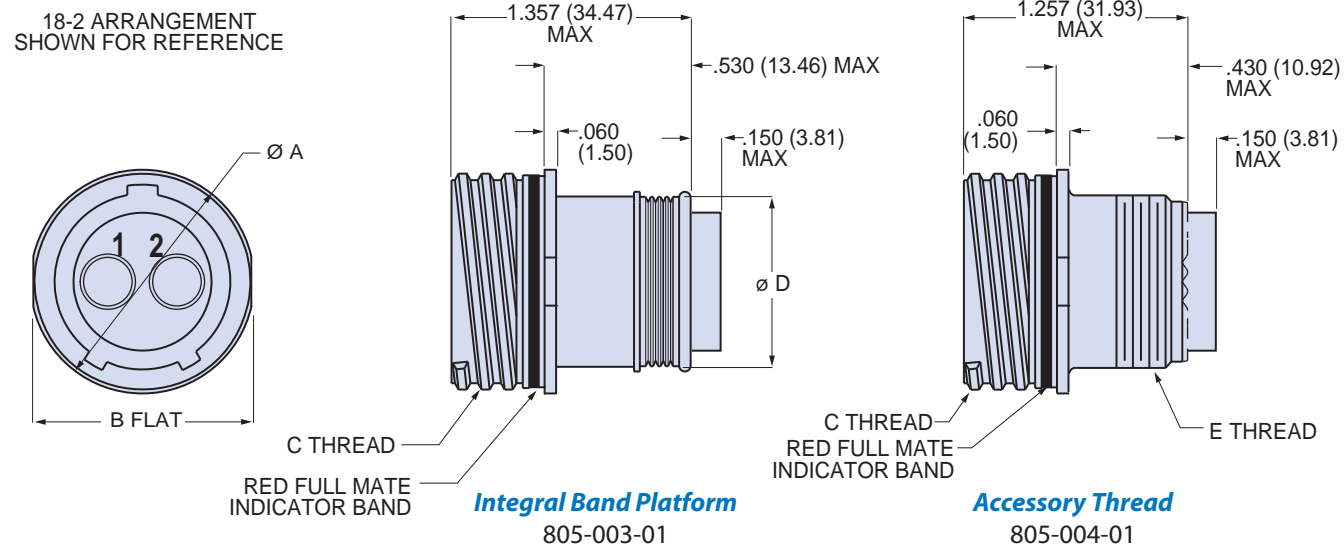
# Series 805 Mighty Mouse Size #8 Connector Receptacle with Quadrax, Twinax, Coax or Power Contacts

Series 805-003 and 805-004 - Style 01 Dimensions



Mighty Mouse with #8 Contacts

## In-line receptacle with band platform or accessory thread

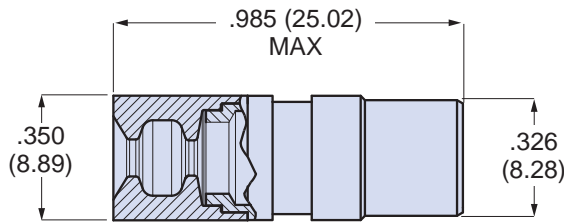


Dimensions								
Shell Size	Ø A		B Flat		C Threads	Ø D		E Threads
	In.	mm.	In.	mm.		In.	mm.	
10	.668	16.96	.638	16.21	.6250-.1P-.3L-TS-2A	.472	12.01	.5000-28 UNEF-2A
18	1.165	29.59	1.135	28.83	1.1250-.1P-.3L-TS-2A	.884	22.45	.9375-20 UNEF-2A
19	1.235	31.37	1.205	30.61	1.1875-.1P-.3L-TS-2A	.884	22.45	.9375-20 UNEF-2A
21	1.360	34.54	1.330	33.78	1.3125-.1P-.3L-TS-2A	1.003	25.48	1.0625-18 UNEF-2A
23	1.485	37.72	1.455	36.96	1.4375-.1P-.3L-TS-2A	1.134	28.80	1.1875-18 UNEF-2A

### Sealing Boot

Sealing boot provides wire seal. Slide boot onto wire before terminating contact. After contact is installed in connector, slide boot forward into connector grommet to seal the contact cavity. "F" suffix added on contact part number specifies contact supplied with sealing boot P/N 859-042-03.

Wire Dia. (in.)	Wire Dia. (mm.)	Part Number
.090 - .130	2.3 - 3.3	859-042-01
.130 - .170	3.3 - 4.3	859-042-02
.170 - .205	4.3 - 5.2	859-042-03



Dimensions in Inches (millimeters) are subject to change without notice.

K

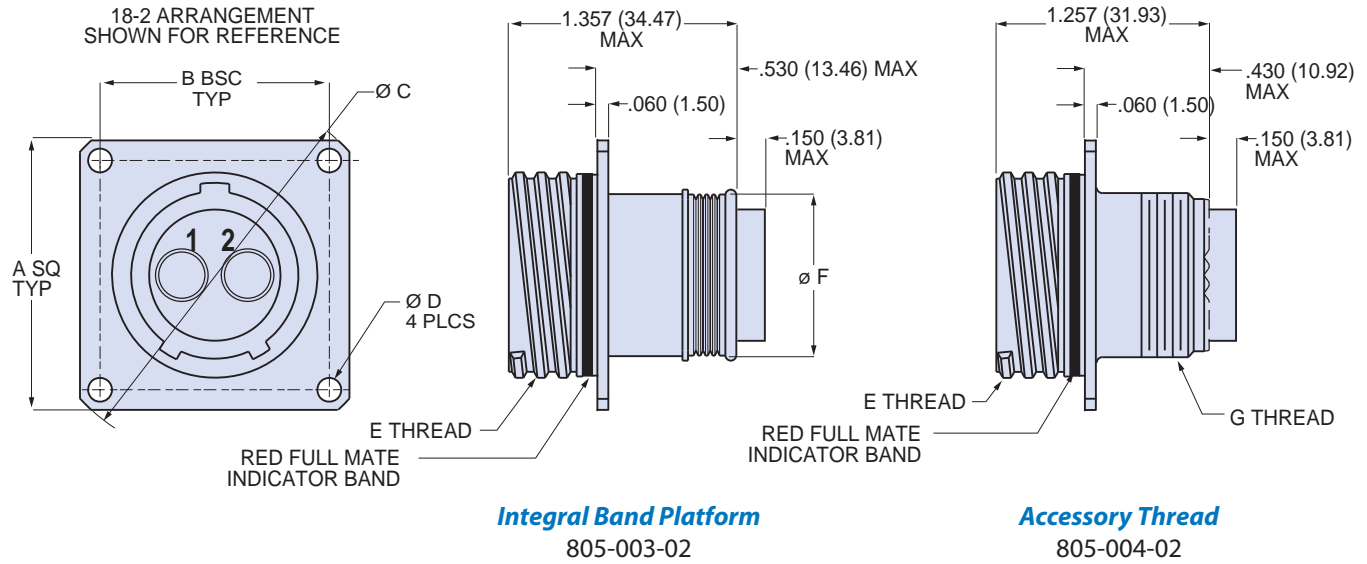


# Series 805 Mighty Mouse Size #8 Connector Receptacle with Quadrax, Twinax, Coax or Power Contacts

Series 805-003 and 805-004 - Style 02 Dimensions

K

## Square flange front or rear mount receptacle with band platform or accessory thread



**Integral Band Platform**  
805-003-02

**Accessory Thread**  
805-004-02

Shell Size	Dimensions											
	A Sq		B Bsc		Ø C		Ø D		E Threads	Ø F		G Threads
	In.	mm.	In.	mm.	In.	mm.	±.003	±0.08		In.	mm.	
10	.975	24.77	.785	19.94	1.330	33.78	.094	2.39	.6250-1P-3L-TS-2A	.472	12.01	.5000-28 UNEF-2A
18	1.475	37.47	1.255	31.88	2.000	50.80	.128	3.25	1.1250-1P-3L-TS-2A	.884	22.45	.9375-20 UNEF-2A
19	1.537	71.06	1.327	33.71	2.094	53.19	.128	3.25	1.1875-1P-3L-TS-2A	.884	22.45	.9375-20 UNEF-2A
21	1.663	42.24	1.452	36.88	2.270	57.66	.128	3.25	1.3125-1P-3L-TS-2A	1.003	25.48	1.0625-18 UNEF-2A
23	1.787	45.39	1.570	39.88	2.440	61.98	.128	3.25	1.4375-1P-3L-TS-2A	1.134	28.80	1.1875-18 UNEF-2A

Shell Size	Square Flange Panel Cutout					
	Ø A		B Bsc		Ø C	
	In.	mm.	In.	mm.	In.	mm.
10	.640	16.26	.785	19.94	.093	2.36
18	1.140	28.96	1.255	31.88	.128	3.25
19	1.203	30.56	1.327	33.71	.128	3.25
21	1.328	33.73	1.452	36.88	.128	3.25
23	1.453	36.91	1.570	39.88	.128	3.25

Dimensions in Inches (millimeters) are subject to change without notice.

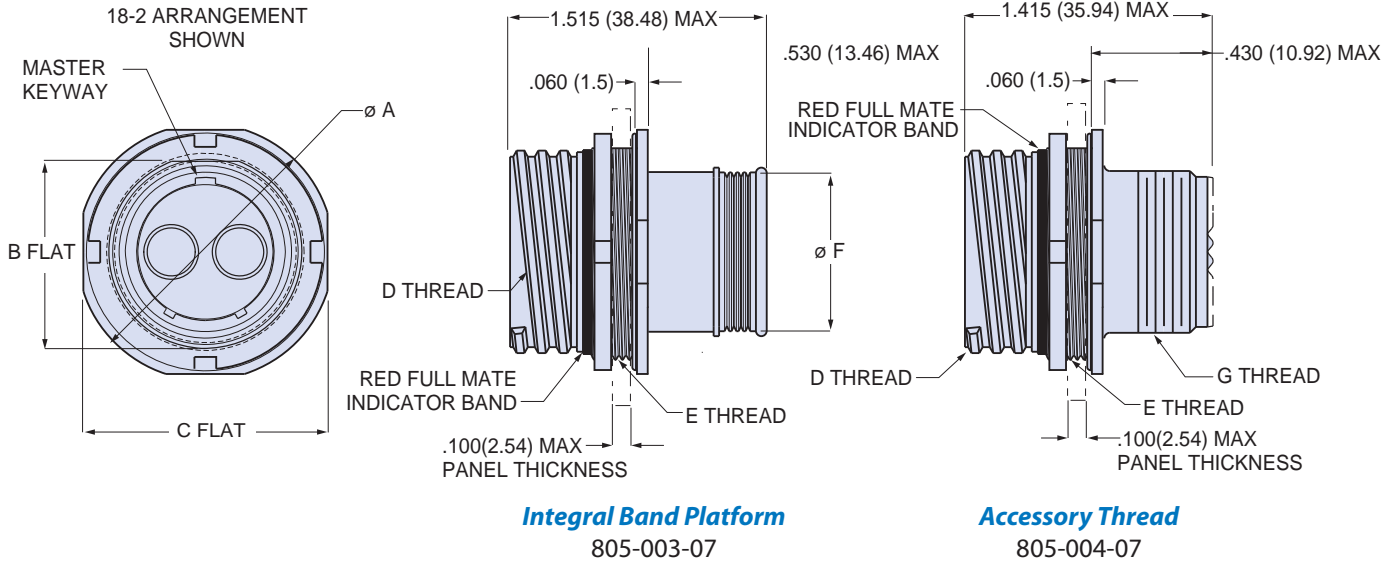
Series 805 Mighty Mouse Size #8 Connector Receptacle  
with Quadrax, Twinax, Coax or Power Contacts  
Series 805-003 and 805-004 - Style 07 Dimensions



Mighty Mouse  
with #8 Contacts

**K**

**Jam nut rear panel mount receptacle with band platform or accessory thread**



**Integral Band Platform**  
805-003-07

**Accessory Thread**  
805-004-07

Shell Size	Dimensions										
	Ø A		B Flat		C Flat		D Threads	E Threads	Ø F		G Threads
	In.	mm.	In.	mm.	In.	mm.			In.	mm.	
10	.880	22.35	.661	16.79	.850	21.59	.6250-1P-3L-TS-2A	.6875-28 UN-2A	.472	11.99	.5000-28 UNEF-2A
18	1.389	35.28	1.147	29.13	1.359	34.52	1.1250-1P-3L-TS-2A	1.1875-28 UN-2A	.884	22.45	.9375-20 UNEF-2A
19	1.450	36.83	1.221	31.01	1.420	36.07	1.1875-1P-3L-TS-2A	1.2500-28 UN-2A	.884	22.45	.9375-20 UNEF-2A
21	1.580	40.13	1.350	34.29	1.550	39.37	1.3125-1P-3L-TS-2A	1.3750-28 UN-2A	1.003	25.48	1.0625-18 UNEF-2A
23	1.705	43.31	1.470	37.34	1.675	42.55	1.4375-1P-3L-TS-2A	1.500-28 UN-2A	1.134	28.80	1.1875-18 UNEF-2A

Jam Nut Panel Cutout				
Shell Size	A Flat		Ø B	
	In. ± .002	mm. ± 0.05	In. ± .002	mm. ± 0.05
10	.671	17.04	.698	17.73
18	1.157	29.39	1.198	30.43
19	1.231	31.27	1.260	32.00
21	1.358	34.49	1.385	35.18
23	1.480	37.59	1.510	38.35

Dimensions in Inches (millimeters) are subject to change without notice.



# Mighty Mouse Connectors with Size #8 Quadrax, Twinax, Coax or Power Contacts

## Size #8 Power Contacts 850-013, 850-014

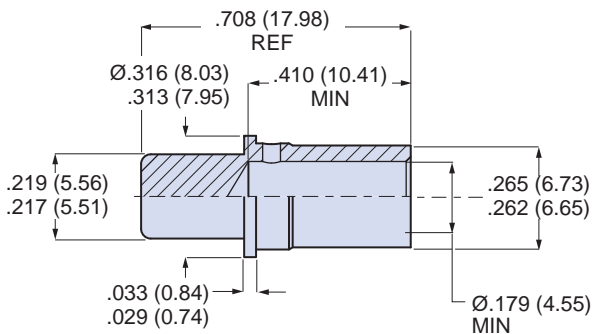
K

### Size #8 power contacts

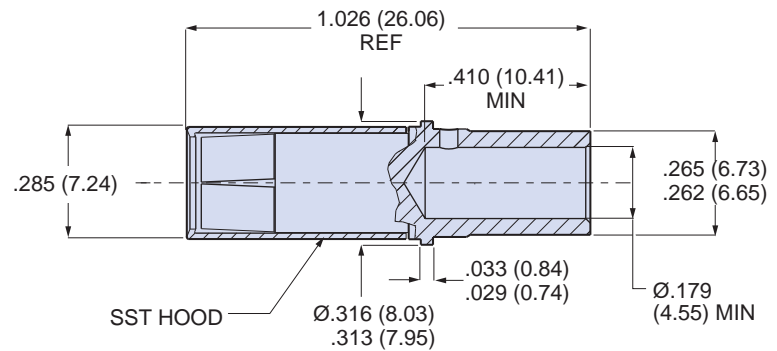
Power contacts accept #8 AWG wire. These contacts fit Mighty Mouse connectors with size 8 cavities. Supplied with sealing boot. 46 amp current rating. Gold-plated copper alloy. Socket contact has stainless steel hood. Conforms to SAE AS39029 requirements. Terminate with pneumatic crimp tool shown on next page.



Figure	Contact Type	Conductor Size	Part Number Contact Only	Part Number Contact and Sealing Boot
Fig. 1	Pin	#8	850-014	850-014F
Fig. 2	Socket	#8	850-013	850-013F



**Fig. 1**  
Pin Contact 850-014



**Fig. 2**  
Socket Contact 850-013

Materials, Finishes	
Contact material	Copper Alloy
Contact finish	50 microinches gold over nickel plating
Socket Contact Hood	Stainless steel, passivated

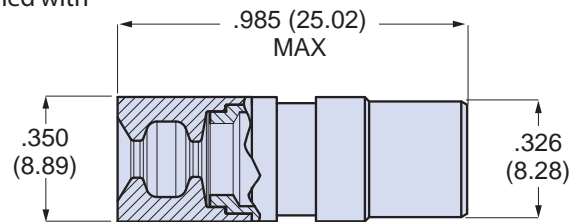
Specifications		
DESCRIPTION	REQUIREMENT	PROCEDURE
Test Current	46 Amperes	SAE AS39029 para. 4.7.5, EIA-364-06
Contact Resistance	26 millivolts maximum	SAE AS39029 para. 4.7.5, EIA-364-06
Minimum Separation Force	5 ounce minimum	SAE AS39029 para. 4.7.6, EIA-364-37
Crimp Tensile Strength	220 lbs. (978 newtons)	SAE AS39029 para. 4.7.9, EIA-364-08
Durability	500 mating cycles	SAE AS39029 para. 4.7.10

Size	Part Number	Military Part Number
#8	859-049	M81969/14-12

### Sealing Boot

Sealing boot provides wire seal. Slide boot onto wire before terminating contact. After contact is installed in connector, slide boot forward into connector grommet to seal the contact cavity. "F" suffix added on contact part number specifies contact supplied with sealing boot P/N 859-042-03.

Wire Dia. (in.)	Wire Dia. (mm.)	Part Number
.090 - .130	2.3 - 3.3	859-042-01
.130 - .170	3.3 - 4.3	859-042-02
.170 - .205	4.3 - 5.2	859-042-03



Dimensions in Inches (millimeters) are subject to change without notice.



# Mighty Mouse Connectors with Size #8 Quadrax, Twinax, Coax or Power Contacts

Size #8 Power Contacts 850-013, 850-014

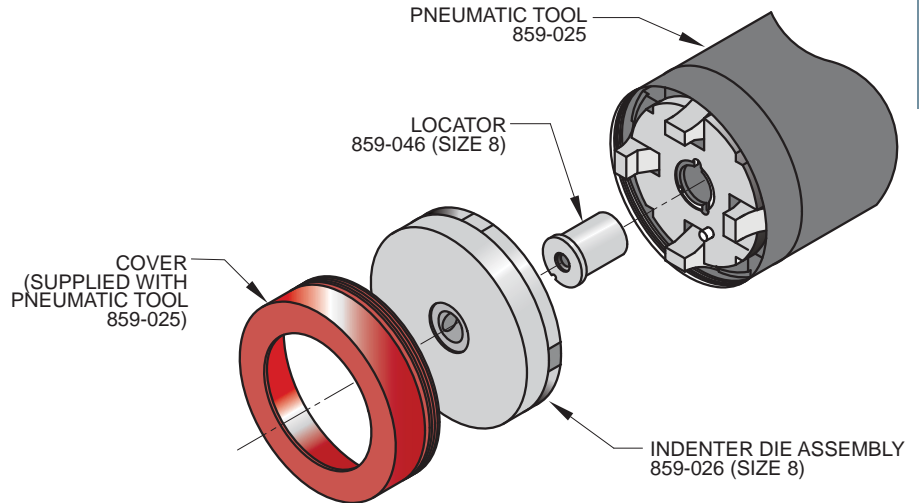


Mighty Mouse  
with #8 Contacts

K

## Pneumatic crimp tool for #8 power contacts

The Daniels WA23 pneumatic crimp tool sets the standard for heavy duty crimping chores. This four-indent tool accommodates large power contacts ranging from size 8 through size 0000. Die plates and locators are purchased separately. Qualified to M22520/23, the WA23 tool is specified for use with SAE AS39029 closed barrel copper alloy contacts.



## Pneumatic crimp tool



Bench mount heavy duty pneumatic indent crimp tool. Four-indent crimp termination. Use with closed barrel contact sizes 8 through 4/0. Attach to air supply with quick-disconnect fitting or install 1/4 NPT fitting into tapped port. 90-120 psi air supply. Requires die assembly and locator, sold separately. Hand actuate with push-button valve trigger on handle. Steel with black wrinkle enamel coating. 13 inches overall length, 9.2 inches tall, 17 pounds (7.7 Kg).

Description	Part Number	Military Part Number	Daniels Part Number
Pneumatic Crimper	859-025	M22520/23-01	WA23

## Die assembly for size #8 contacts



Indenter Die Assembly. Precision four-indent die with hardened tool steel indenters, stainless steel housing, aluminum cap. Use with size #8 contacts. Go/ No Go calibration dimensions are stamped on face of tool. Approximately 3.3 inches (84mm.) diameter.

Description	Part Number	Military Part Number	Daniels Part Number
Die Assembly, Size #8	859-026	M22520/23-02	WA23-2

## Locator for size #8 contacts



Aluminum locator holds contact at correct depth for crimping.

Description	Part Number	Military Part Number	Daniels Part Number
Locator, #8, Special	859-046	(none)	WA23-395L

Dimensions in Inches (millimeters) are subject to change without notice.



# Mighty Mouse Connectors with Size #8 Quadrax, Twinax, Coax or Power Contacts

Size #8 75 Ohm Coax Contacts 852-056-01 and 852-057-01

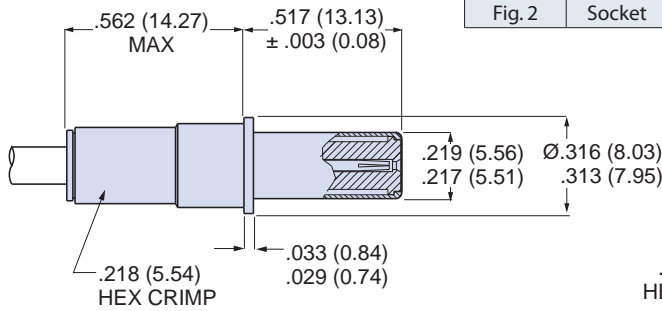
K

## Size #8 coax contacts for 75 ohm video cable

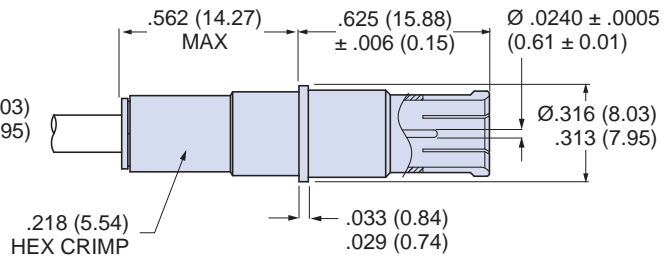


Size 8 coax contacts fit aerospace-grade digital video cable. 75 ohm nominal impedance. 0-4 GHz frequency range. Crimp termination. Supplied as unassembled kit with contact body, center contact, outer ferrule and optional sealing boot. These snap-in, rear-release contacts fit Glenair Series 80 Mighty Mouse connectors and MIL-DTL-38999 Series I, III and IV connectors with size 8 contact cavities. Use with aerospace-grade video cable shown on next page. Gold-plated copper alloy, Teflon® insulator.

Fig.	Contact Type	Part Number Contact Only	Part Number Contact and Sealing Boot	Sealing Boot
Fig. 1	Pin	852-056-01	852-056-01F	859-042-01
Fig. 2	Socket	852-057-01	852-057-01F	859-042-01



**Fig. 1 Pin Contact**  
852-056-01



**Fig. 2 Socket Contact**  
852-057-01

Materials, Finishes	
Contact body, center contact, ferrule	Copper Alloy
Contact finish	50 microinches gold over nickel plating
Dielectric	Teflon®

Specifications	
DESCRIPTION	REQUIREMENT
Nominal Impedance	75 Ohms
Frequency Range	0 - 4 GHz
Dielectric Withstanding Voltage	1300 Vac sea level, 250 Vac at 50,000 feet
Insulation Resistance	5000 megohms minimum
Durability	500 mating cycles

### Contact Removal Tool

Plastic tool extracts wired contact from connector. First, remove sealing boot, then insert tool from rear of connector.

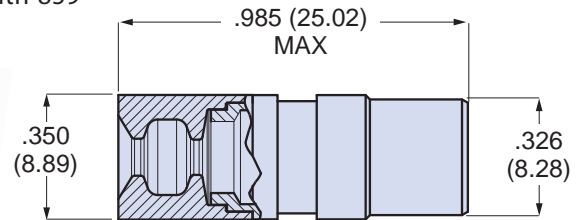
Size	Part Number	Military Part Number
#8	859-049	M81969/14-12



### Sealing Boot

Optional sealing boot is recommended. Slide boot onto wire before terminating contact. After contact is installed in connector, slide boot forward into connector grommet to seal the contact cavity. "F" suffix on contact part number specifies contact supplied with 859-042-01 sealing boot.

Wire Dia. (in.)	Wire Dia. (mm.)	Part Number
.090 - .130	2.3 - 3.3	859-042-01
.130 - .170	3.3 - 4.3	859-042-02
.170 - .205	4.3 - 5.2	859-042-03



Dimensions in Inches (millimeters) are subject to change without notice.

# Mighty Mouse Connectors with Size #8 Quadrax, Twinax, Coax or Power Contacts

Size #8 75 Ohm Coax Contacts 852-056-01 and 852-057-01



Mighty Mouse with #8 Contacts

## Termination tools for size #8 75 ohm coax contacts



Terminate contacts to coaxial cable with precision hand tools. The inner contact is terminated to the center conductor of the cable with a M22520/2-01 hand tool and bayonet-type positioner. The outer ferrule is terminated to the cable shield with a M22520/5-01 parallel action crimper and a hex die.

**A** M22520/2-01 crimper. Requires **B** positioner, ordered separately. These crimp tools perform precision indents for gas-tight wire terminations and excellent tensile strength. Length is 6.75 inches, weight is approx. 10 oz.

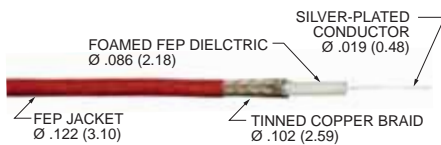
**C** Parallel action tool terminates cable shield to contact ferrule. Use with **D** hex crimp dies. 11 inches OAL, 2.0 pounds. Anodized aluminum frame, steel mechanism, plastic handles. Accepts all M22520/5 die sets.

**B** Positioner. Use with **A** crimper, ordered separately. Positioner holds contact at proper depth.

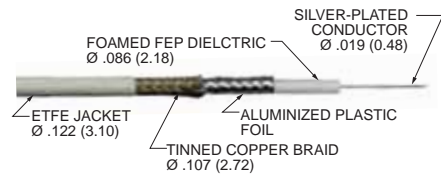
**D** Hex die set for terminating cable shield to contact ferrule. Hardened steel, black oxide finish.

Figure	Part Number	Military Part Number	Daniels Part Number
A	809-015	M22520/2-01	AFM8
B	859-072	(none)	—
C	809-129	M22520/5-03	HX4
D	859-047	M22520/5-45	Y143

## High performance 75 ohm coaxial cable



**E** 75 ohm coaxial cable for RS170 video applications. 50 dB shielding effectiveness. Tinned copper braid shield. Red FEP jacket.



**F** 75 ohm coaxial cable for RS170 video applications. 90 dB shielding effectiveness. 100% coverage aluminized plastic foil under tinned copper braid shield. ETFE jacket, white.



**G** 75 ohm coaxial cable for SMPTE 292M video applications. 110 dB shielding effectiveness. 100% coverage helical copper strip under tinned copper braid shield. ETFE jacket, white.

PIC™ brand video cable is specially designed and manufactured for reliable performance in aircraft systems and other harsh environments involving high temperature, EMI and corrosive materials. Improved strength, lower attenuation and better shielding compared with M17/94-RG179. Silver-plated conductor, foamed FEP dielectric, tinned copper braid, FEP or ETFE jacket. Syddrol resistant, RoHS compliant, meets FAA FAR Parts 23 and 25, Appendix F flammability, complies with MIL-DTL-17.

	E	F	G			
Glenair Part No.	960-130	960-131	960-132			
Ref. PIC™ Part No.	V75268	V76261	V73263			
Impedance (ohms)	75	75	75			
Shielding Effectiveness (dB)	50	90	110			
Video Application	RS170	RS170	SMPTE 292M			
First Shield	Tinned copper braid, 95% coverage					
Second Shield	None	Aluminized film, 100% coverage	Silver plated helical copper strip, 100%			
Temperature Rating	-65° to +165° C	-65° to +165° C	-65° to +165° C			
Minimum Bend Radius	0.6 in. (15mm.)	0.6 in. (15mm.)	0.65 in. (16.5mm.)			
Weight (lbs/100 ft.)	1.2 lbs	1.1 lbs	1.5 lbs			
Capacitance (pF/ft)	16.0	16.0	16.0			
Velocity of Propagation %	80	80	80			
Time Delay	1.28		1.28			
Attenuation (dB/100 ft)	Nominal	Max.	Nominal	Max.	Nominal	Max.
1 MHz	0.51	0.55	0.49	0.52	0.43	0.58
10 MHz	1.70	1.77	1.6	1.71	1.4	1.6
100 MHz	5.3	5.7	5.1	5.5	4.5	5.0
400 MHz	11.1	11.8	10.6	11.3	9.6	10.6
1.45 GHz	23.0	24.6	21.9	23.4	20.0	22.0
3 GHz	35.0	37.4	33.7	36.1	30.9	34.0

Dimensions in Inches (millimeters) are subject to change without notice.

K



# Mighty Mouse Connectors with Size #8 Quadrax, Twinax, Coax or Power Contacts

## Size #8 50 Ohm Coax Contacts 852-042 and 852-043

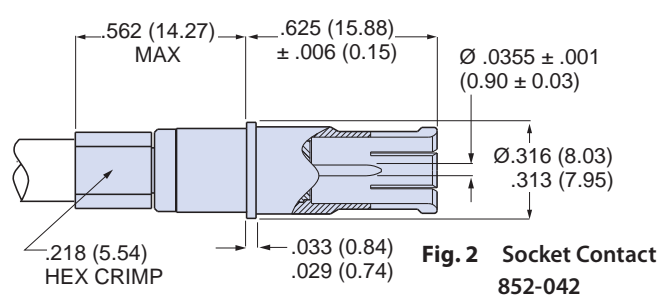
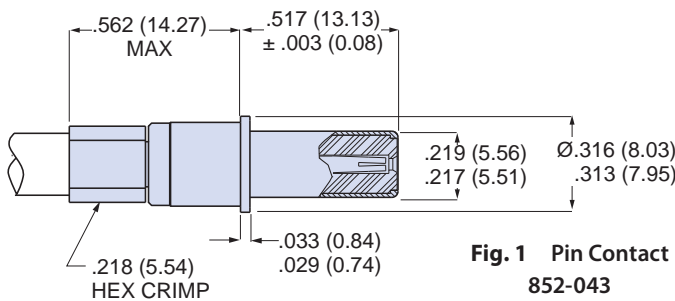
K

### Size #8 50 ohm contacts for low loss high performance coax cable



Coax contacts fit Glenair Series 80 Mighty Mouse connectors and MIL-DTL-38999 Series I, III and IV connectors with size 8 contact cavities. 50 ohm nominal impedance. 0-2.5 GHz frequency range. Solder conductor to center contact is solder type, shield termination is crimp type. Supplied as unassembled kit with contact body, center contact, outer ferrule and sealing boot. Contacts are snap-in, rear release with plastic extraction tool. Gold-plated copper alloy, Teflon® insulator. See following page for information on coaxial cable.

Fig.	Contact Type	Part Number Contact Only	Part Number Contact and Sealing Boot	Sealing Boot
Fig. 1	Pin	852-043	852-043F	859-042-02
Fig. 2	Socket	852-042	852-042F	859-042-02



Materials, Finishes	
Contact body, center contact, ferrule	Copper Alloy
Contact finish	50 microinches gold over nickel plating
Dielectric	Fluorocarbon

Specifications	
DESCRIPTION	REQUIREMENT
Nominal Impedance	50 Ohms
Frequency Range	0 – 2.5 GHz
Dielectric Withstanding Voltage	1300 Vac sea level, 250 Vac at 50,000 feet
Insulation Resistance	5000 megohms minimum
Durability	500 mating cycles

#### Contact Removal Tool

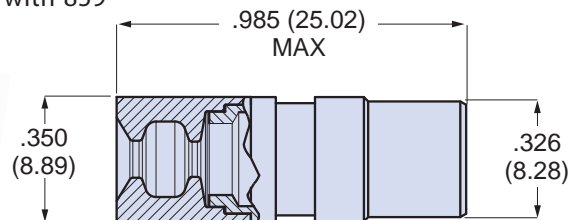
Plastic tool extracts wired contact from connector. First, remove sealing boot, then insert tool from rear of connector.

Size	Part Number	Military Part Number
#8	859-049	M81969/14-12



#### Sealing Boot

Optional sealing boot is recommended. Slide boot onto wire before terminating contact. After contact is installed in connector, slide boot forward into connector grommet to seal the contact cavity. "F" suffix on contact part number specifies contact supplied with 859-042-02 sealing boot.



Dimensions in Inches (millimeters) are subject to change without notice.

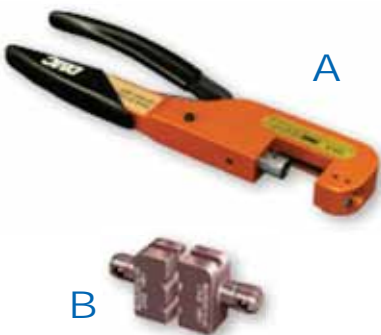
# Mighty Mouse Connectors with Size #8 Quadrax, Twinax, Coax or Power Contacts

Size #8 50 Ohm Coax Contacts 852-042 and 852-043



Mighty Mouse  
with #8 Contacts

## Termination tools for size #8 50 ohm coax contacts



Terminate inner contact to center conductor of cable with soldering iron. The outer ferrule is terminated to the cable shield with a M22520/5-01 parallel action crimper and a hex die.

**A** Parallel action tool terminates cable shield to contact ferrule. 11 inches OAL, 2.0 pounds. Anodized aluminum frame, steel mechanism, plastic handles. Accepts all M22520/5 die sets.

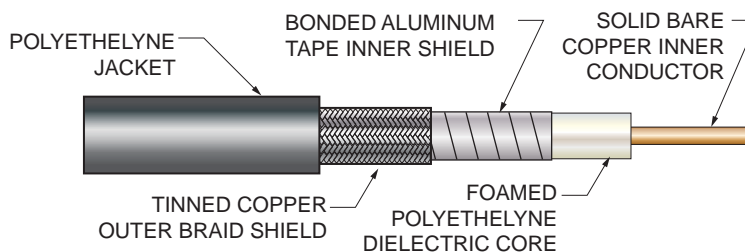
**B** Hex die set for terminating cable shield to contact ferrule. Hardened steel, black oxide finish.

Figure	Part Number	Military Part Number	Daniels Part Number
A	809-129	M22520/5-01	HX4
B	859-047	M22520/5-45	Y143

## Cable information (reference only, not sold by glenair)

Coax contacts 852-042 and 852-043 are designed for use with LLSB-200 cable. This low loss, flexible cable is suitable for shipboard, airframe and tactical vehicles. Manufactured by Times Microwave, this cable is qualified to MIL-DTL-17/220. Jacket is non-halogen, low smoke black UV resistant cross-linked polyethylene.

Times Microwave Part No.	LLSB-200
Military Part Number	M17/220-0001
Impedance	50 ± 2
Shielding Effectiveness (dB)	90 min.
Conductor Diameter	.044 (1.12)
Conductor Type	Bare Copper
Dielectric Diameter	.118 (3.0)
Outer Shield Diameter	.144 (3.66)
Jacket Diameter	.195 (4.95)
Weight (lbs/100 ft.)	37.4
Capacitance (pF/ft)	27.0
Velocity of Propagation %	80
Temperature Range	-30° to +85°C
Attenuation (dB/100 ft)	
10 MHz	1.3
100 MHz	3.8
400 MHz	7.7
1 GHz	12.0
2.5 GHz	20.0



Dimensions in Inches (millimeters) are subject to change without notice.

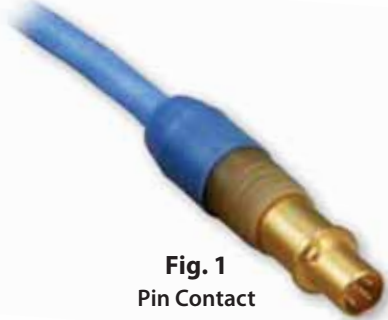


# Mighty Mouse Connectors with Size #8 Quadrax, Twinax, Coax or Power Contacts

## Size #8 100 Ohm Quadrax Contacts 854-001 and 854-002

K

### Size #8 quadrax contacts



**Fig. 1**  
Pin Contact  
854-001



**Fig. 2**  
Socket Contact  
854-002

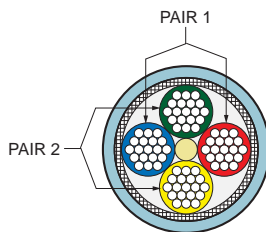
100 ohm quadrax contacts accept standard flight-grade star quad cable. These snap-in, rear release contacts fit Glenair Series 80 Mighty Mouse connectors and Glenair MIL-DTL-38999 Series III type connectors with size #8 keyed insulators to properly align contact. Crimp termination. Contact has in-line key for alignment in connector. Gold-plated copper alloy, thermoplastic insulators. Supplied as unassembled kit.

Fig.	Cable Accommodation	Contact Type	Part Number Contact Only	P/N Contact and Sealing Boot	Wire AWG	Cable OD	
						in.	mm.
1	Tensolite NF22Q100 Draka F-4704-7	Pin	854-001-05	854-001-05F	22	.190	4.83
1	PIC E51424 Tensolite NF24Q100	Pin	854-001-02	854-001-02F	24	.163	4.14
1	PIC E50424 Draka F 4704-4	Pin	854-001-04	854-001-04F	24	.175	4.45
1	PIC E51426 Tensolite NF26Q100	Pin	854-001-01	854-001-01F	26	.137	3.48
1	Draka F 4704-6	Pin	854-001-03	854-001-03F	26	.153	3.89
2	Tensolite NF22Q100 Draka F-4704-7	Socket	854-002-05	854-002-05F	22	.190	4.83
2	PIC E51424 Tensolite NF24Q100	Socket	854-002-02	854-002-02F	24	.163	4.14
2	PIC E50424 Draka F 4704-4	Socket	854-002-04	854-002-04F	24	.175	4.45
2	PIC E51426 Tensolite NF26Q100	Socket	854-002-01	854-002-01F	26	.137	3.48
2	Draka F 4704-6	Socket	854-002-03	854-002-03F	26	.153	3.89

Material And Finish	
Inner and Outer Contact, Crimp Ferrule	Copper alloy, 50 microinches gold over nickel
Insulator, Sealing Boot	High grade engineering thermoplastic
Sealing Boot Grommet	Fluorosilicone

Specifications	
Characteristic Impedance	100 Ohms $\pm$ 10 ohms
Frequency Range	DC – 3 GHz
Insulation Resistance, Ambient Temperature	5000 megohms minimum
Contact Resistance – Inner Contact	15.0 milliohms maximum initial @ 1ampere
Contact Resistance – Outer Contact	3.0 milliohms maximum initial @ 12 amperes
Dielectric Withstanding Voltage	1000 Vac RMS between contacts, 500 Vac RMS between contacts and shell
Temperature Range	-65°C to +200°C
Durability	500 mating cycles
Corrosion (salt Fog)	EIA-364-26, condition B, 48 hours
Vibration	EIA-364-28, condition VI, letter J, 43g's
Shock	EIA-364-27, condition D, 300g's

### Arinc 664 Star Quad Cable



### About Quadrax Contacts and Star Quad Cable

Quadrax contacts are size 8 multi-pin contacts with four signal pins and an outer contact body. These contacts are used for ARINC 664 100BASE-T Ethernet. Each quadrax contact yields one Ethernet port. The outer contact body provides a 360-degree EMI shield around the signal contacts. Star quad cables have four parallel wires uniformly twisted around a center filler. These 100 ohm high performance 100BASE-T cables are designed for use in aircraft systems. The cable has two shields– a flat tinned copper braid inner shield and an outer tinned copper overbraid. The FEP jacket meets FAA flammability requirements.

Dimensions in Inches (millimeters) are subject to change without notice.

# Mighty Mouse Connectors with Size #8 Quadrax, Twinax, Coax or Power Contacts

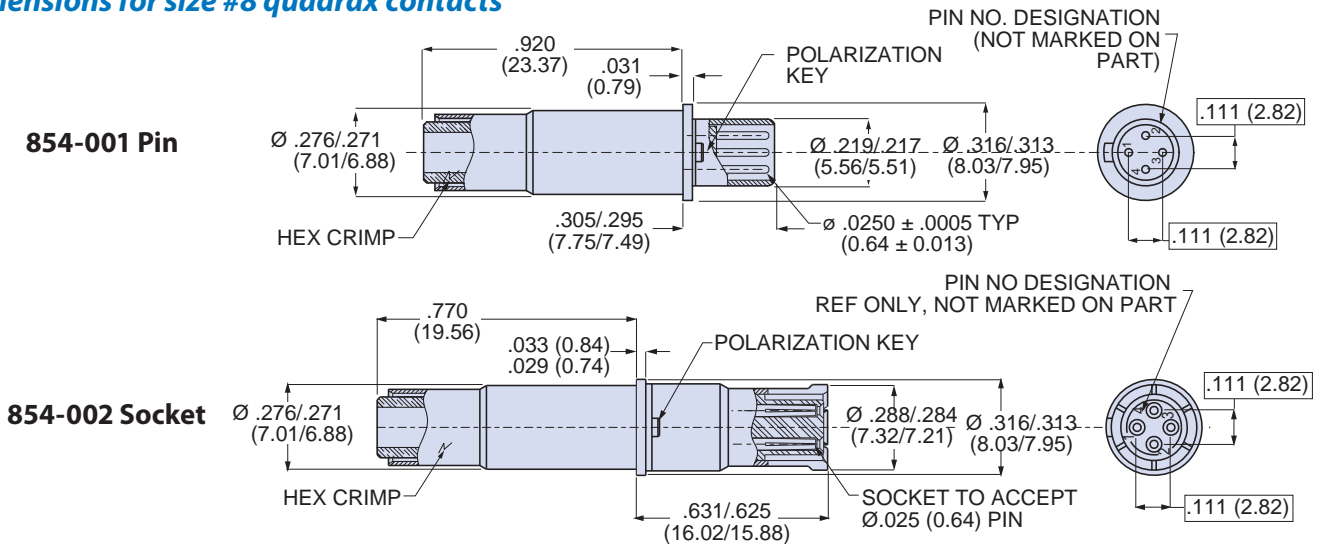
Size #8 100 Ohm Quadrax Contacts 854-001 and 854-002



Mighty Mouse with #8 Contacts



## Dimensions for size #8 quadrax contacts



## Termination tools for size #8 quadrax contacts



**A** M22520/2-01 crimper for inner contacts. Requires **B** positioner, ordered separately. Length is 6.75 inches, weight is approx. 10 oz.

**B** Positioner. Use with **A** crimper, ordered separately. Positioner holds contact at proper depth.

**C** Parallel action tool terminates cable shield. Use with **D** hex crimp dies. 11 inches OAL, 2.0 pounds. Anodized aluminum frame, steel mechanism, plastic handles. Accepts all M22520/5 die sets.

**D** Hex die set for terminating cable shield. Hardened steel, black oxide finish. Closure A is .231 (5.87), closure B is .218 (5.54).

Figure	Part Number	Military Part Number	Daniels Part Number
A	809-015	M22520/2-01	AFM8
B	809-240	M22520/2-37	K709
C	809-129	M22520/5-01	HX4
D	859-047	M22520/5-45	Y143

## Contact Removal Tool

Plastic tool extracts wired contact from connector. First, remove sealing boot, then insert tool from rear of connector.

Size	Part Number	Military Part Number
#8	859-049	M81969/14-12

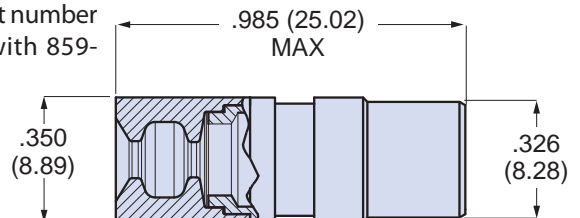


## Sealing Boot

Optional sealing boot is recommended. Slide boot onto wire before terminating contact. After contact is installed in connector, slide boot forward into connector grommet to seal the contact cavity. "F" suffix on contact part number specifies contact supplied with 859-042-02 sealing boot.



Wire Dia. (in.)	Wire Dia. (mm.)	Part Number
.090 - .130	2.3 - 3.3	859-042-01
.130 - .170	3.3 - 4.3	859-042-02
.170 - .205	4.3 - 5.2	859-042-03



Dimensions in Inches (millimeters) are subject to change without notice.

K

### Size #8 concentric twinax contacts for MIL-STD-1553 databus



**Fig. 1**  
Pin Contact  
853-003-08-625



**Fig. 2**  
Socket Contact  
853-004-08-628



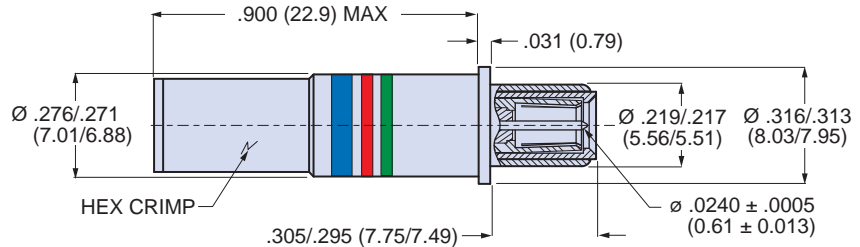
**Fig. 3**  
Heatshrink Boot  
(Supplied with Contact)



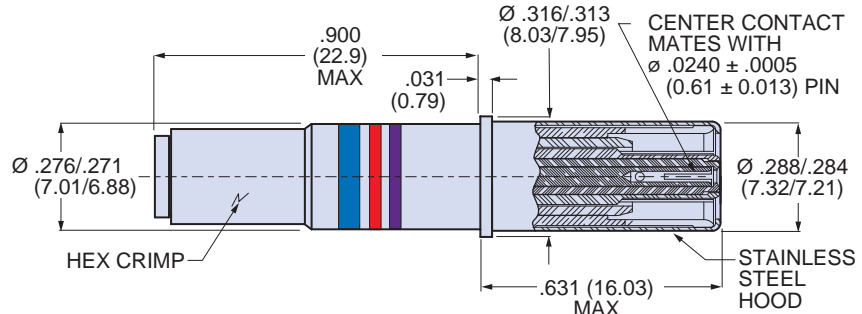
**Fig. 4**  
Sealing Boot  
859-042-01  
(Not supplied with contact.  
Order separately)

Concentric twinax contacts accept M17/176-0002 shielded twisted pair databus cable. These snap-in, rear release contacts fit Glenair Series 80 Mighty Mouse connectors and Glenair MIL-DTL-38999 Series I, III and IV connectors with size #8 cavities. Crimp termination. Gold-plated copper alloy, FEP insulator. Supplied unassembled with heatshrink boot (fig.3). Order sealing boot separately (fig.4). 1 A current rating, 500 Vac. SAE AS39029 qualified.

Fig.	Description	Cable Accommodation	Part Number	AS39029 Part Number	Color Bands		
					1st	2nd	3rd
Fig. 1	Pin	M17/176-00002	853-003-08-625	M39029/113-625	Blu	Red	Grn
Fig. 2	Socket	M17/176-00002	853-004-08-628	M39029/114-628	Blu	Red	Vio
Fig. 4	Sealing Boot	M17/176-00002	859-042-01				



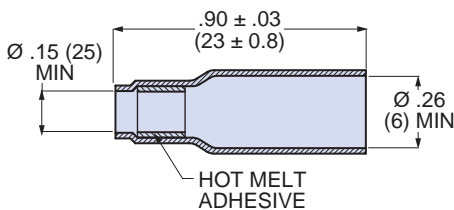
**Pin Contact 853-003-08-625**



**Socket Contact 853-004-08-628**

### Heatshrink Boot

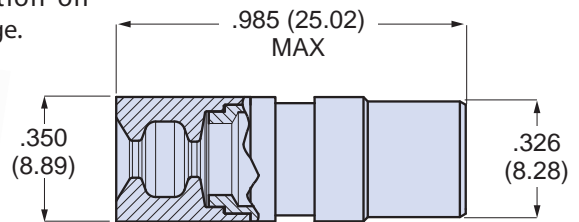
Supplied with contact. Slide onto cable before terminating contact. Slide onto contact after the cable is terminated. Apply heat to shrink the boot and melt the adhesive. Install contact into connector.



### Sealing Boot

Sealing boot is ordered separately. Slide boot onto wire before terminating contact. After contact is installed in connector, slide boot forward into connector grommet to seal the contact cavity. Additional information on sealing boot is on the next page.

Wire Dia. (in.)	Wire Dia. (mm.)	Part Number
.090 - .130	2.3 - 3.3	859-042-01
.130 - .170	3.3 - 4.3	859-042-02
.170 - .205	4.3 - 5.2	859-042-03



Dimensions in Inches (millimeters) are subject to change without notice.



# Mighty Mouse Connectors with Size #8 Quadrax, Twinax, Coax or Power Contacts

Size #8 100 Ohm Quadrax Contacts 854-001 and 854-002



Mighty Mouse with #8 Contacts

**K**

Material and Finish	
Inner, Intermediate and Outer Contact, Crimp Sleeve	Copper alloy, 50 microinches gold over nickel
Insulators	PEEK, PTFE
Sealing Boot Rigid Dielectric	Ultem
Sealing Boot Grommet	Fluorosilicone

Specifications	
<b>Current Rating</b>	<b>1 ampere</b>
Contact Resistance, Center and Intermediate Contacts	55 millivolt max. voltage drop @ 1 ampere
Contact Resistance – Outer Contact	75 millivolt max. voltage drop @ 12 amperes
Dielectric Withstanding Voltage, Center Contact to Intermediate Contact	1000 Vrms Sea Level, 250 Vrms at 70,000 feet
Dielectric Withstanding Voltage, Intermediate Contact to Outer Contact	500 Vrms Sea Level, 250 Vrms at 70,000 feet
Temperature Range	-65°C to +175°C
Durability	500 mating cycles
Corrosion	EIA-364-26, condition B, 48 hours
Vibration	EIA-364-28, condition V, letter J, 37g's
Shock	EIA-364-27, condition D, 300g's

## Termination tools for size #8 concentric twinax contacts



**A** M22520/2-01 crimper for center contact. Requires **B** positioner, ordered separately. Length is 6.75 inches, weight is approx. 10 oz.

**B** Positioner, M22520/2-37. Use with **A** crimper, ordered separately. Positioner holds contact at proper depth.

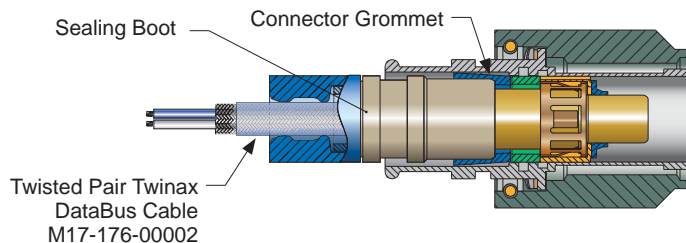
**C** Parallel action tool terminates intermediate contact and outer shield ferrule. Use with **D** hex crimp dies. 11 inches OAL, 2.0 pounds. Anodized aluminum frame, steel mechanism, plastic handles. Accepts all M22520/5 die sets.

**D** Die set for terminating intermediate contact and cable shield. Requires **C** crimp tool sold separately. Hardened steel, black oxide finish.

Figure	Part Number	Military Part Number	Daniels Part Number
A	809-015	M22520/2-01	AFM8
B	809-240	M22520/2-37	K709
C	809-129	M22520/5-01	HX4
D	859-048	M22520/5-105	Y631

## Sealing Boot information

The sealing boot is necessary to prevent moisture and contamination from penetrating the connector. The sealing boot is ordered separately. **DO NOT USE HEATSHRINK BOOT IF USING SEALING BOOT.** The boot consists of a rigid dielectric sleeve and a fluorosilicone rubber grommet. Slide boot onto cable before terminating contact. After the contact is installed into connector, seat the boot into connector grommet.



## Contact Removal Tool

Plastic tool extracts wired contact from connector. First, remove sealing boot, then insert tool from rear of connector.

Size	Part Number	Military Part Number
#8	859-049	M81969/14-12



Dimensions in Inches (millimeters) are subject to change without notice.

### Size #8 differential twinax contacts

100 ohm differential twinax contacts accept shielded twisted pair databus cable. These snap-in, rear release contacts fit Glenair Series 80 Mighty Mouse connectors, Glenair 257-497, and Glenair 257-606 MIL-DTL-38999-type connectors with keyed inserts. Crimp termination. Gold-plated copper alloy, FEP insulator. Supplied unassembled with optional sealing boot.



**Fig. 1**  
Pin Contact  
853-014



**Fig. 2**  
Socket Contact  
853-013

Material and Finish	
Inner and Outer Contact, Crimp Ferrule	Copper alloy, 50 microinches gold over nickel
Insulator, Sealing Boot	High grade engineering thermoplastic
Sealing Boot Grommet	Fluorosilicone

Figure	Description	Cable Accommodation	Part Number Contact Only	Part Number Contact and Sealing Boot
Fig. 1	Pin Contact	Gore RCN 8945	853-014-01	853-014-01F
Fig. 1	Pin Contact	Gore GSC-03-83971-00	853-014-02	853-014-02F
Fig. 1	Pin Contact	M17/176-00002	853-014-05	853-014-05F
Fig. 1	Pin Contact	TE (Raychem) 0024A0024	853-014-04	853-014-04F
Fig. 2	Socket Contact	Gore RCN 8945	853-013-01	853-013-01F
Fig. 2	Socket Contact	Gore GSC-03-83971-00	853-013-02	853-013-02F
Fig. 2	Socket Contact	M17/176-00002	853-013-05	853-013-05F
Fig. 2	Socket Contact	TE (Raychem) 0024A0024	853-013-04	853-013-04F

Specifications	
Characteristic Impedance	100 Ohms $\pm$ 10 ohms
Frequency Range	DC - 3 GHz
Insulation Resistance, Ambient Temperature	5000 megohms minimum
Contact Resistance - Inner Contact	15.0 milliohms maximum initial @ 1ampere
Contact Resistance - Outer Contact	3.0 milliohms maximum initial @ 12 amperes
Dielectric Withstanding Voltage	1000 Vac RMS between contacts, 500 Vac RMS between contacts and shell
Temperature Range	-65°C to +200°C
Durability	500 mating cycles
Corrosion (salt Fog)	EIA-364-26, condition B, 48 hours
Vibration	EIA-364-28, condition VI, letter J, 43g's
Shock	EIA-364-27, condition D, 300g's

### Contact Removal Tool

Plastic tool extracts wired contact from connector. First, remove sealing boot, then insert tool from rear of connector.

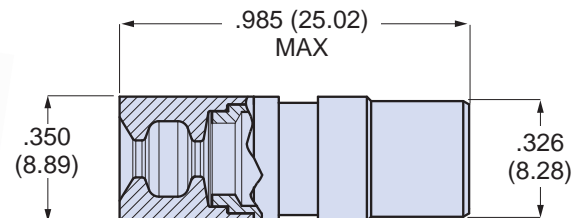
Size	Part Number	Military Part Number
#8	859-049	M81969/14-12



### Sealing Boot

Optional sealing boot is recommended. Slide boot onto wire before terminating contact. After contact is installed in connector, slide boot forward into connector grommet to seal the contact cavity. "F" suffix on contact part number specifies contact supplied with sealing boot.

Wire Dia. (in.)	Wire Dia. (mm.)	Part Number
.090 - .130	2.3 - 3.3	859-042-01
.130 - .170	3.3 - 4.3	859-042-02
.170 - .205	4.3 - 5.2	859-042-03



Dimensions in Inches (millimeters) are subject to change without notice.

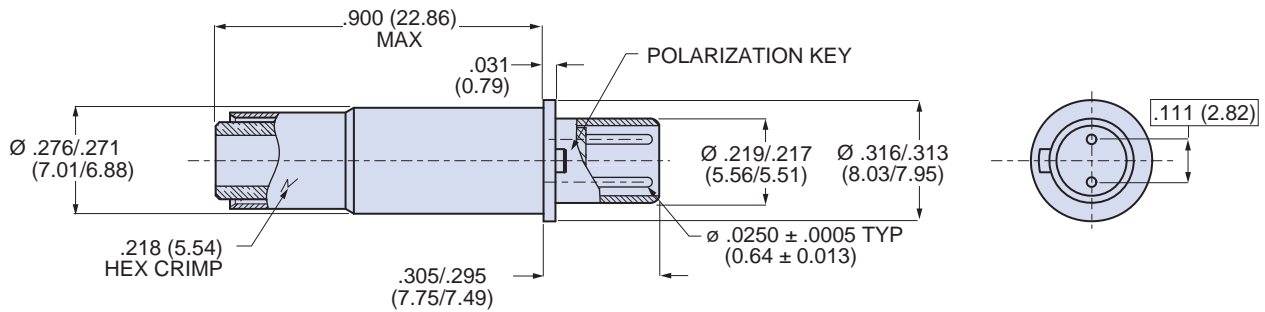
# Mighty Mouse Connectors with Size #8 Quadrax, Twinax, Coax or Power Contacts

Size #8 Differential Twinax Contacts 853-013 and 853-014

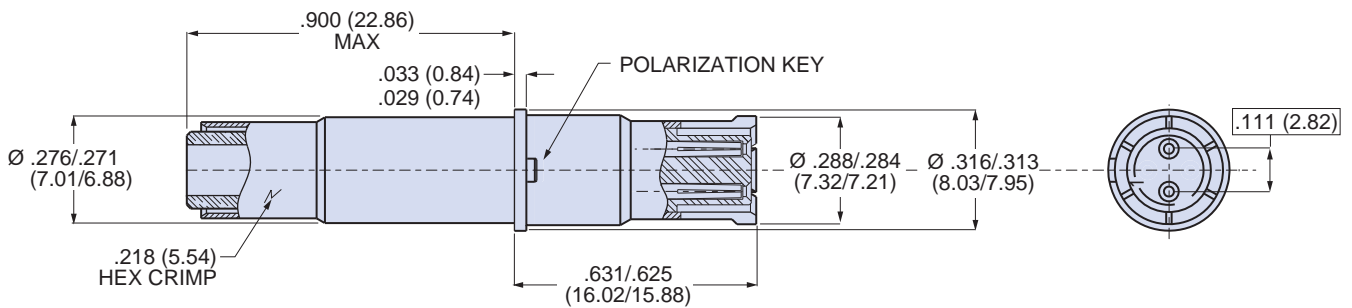


Mighty Mouse  
with #8 Contacts

K



**Pin Contact 853-014**



**Socket Contact 853-013**

## Termination tools for size #8 differential twinax contacts



**A** M22520/2-01 crimper for inner contacts. Requires **B** positioner, ordered separately. Length is 6.75 inches, weight is approx. 10 oz.

**B** Positioner. Use with **A** crimper, ordered separately. Positioner holds contact at proper depth.

**C** Parallel action tool terminates cable shield. Use with **D** hex crimp dies. 11 inches OAL, 2.0 pounds. Anodized aluminum frame, steel mechanism, plastic handles. Accepts all M22520/5 die sets.

**D** Hex die set for terminating cable shield. Hardened steel, black oxide finish. Closure A is .231 (5.87), closure B is .218 (5.54).

Figure	Part Number	Military Part Number	Daniels Part Number
A	809-015	M22520/2-01	AFM8
B	809-240	M22520/2-37	K709
C	809-129	M22520/5-01	HX4
D	859-047	M22520/5-45	Y143

## About Differential Twinax Contacts

Differential twinax contacts are multi-pin contacts with two signal pins and an outer contact body. These contacts are used for 77 ohm MIL-STD-1553 databus and 100 ohm serial data transmission. The outer contact body provides a 360-degree EMI shield around the signal contacts. A raised boss on the contact body aligns the contact for proper mating. This boss fits into a slot inside the connector. All size 8 Mighty Mouse connector inserts have this alignment slot.

Dimensions in Inches (millimeters) are subject to change without notice.

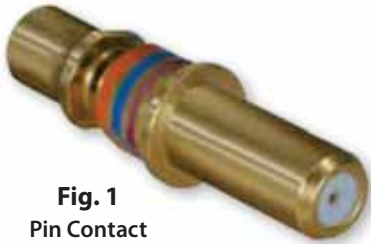


# Mighty Mouse Connectors with Size #8 Quadrad, Twinax, Coax or Power Contacts

852-007 and 852-006 Size #8 Coax Contacts for RG180 Cable

K

## Size #8 coaxial contacts for M17/095-RG-180 cable



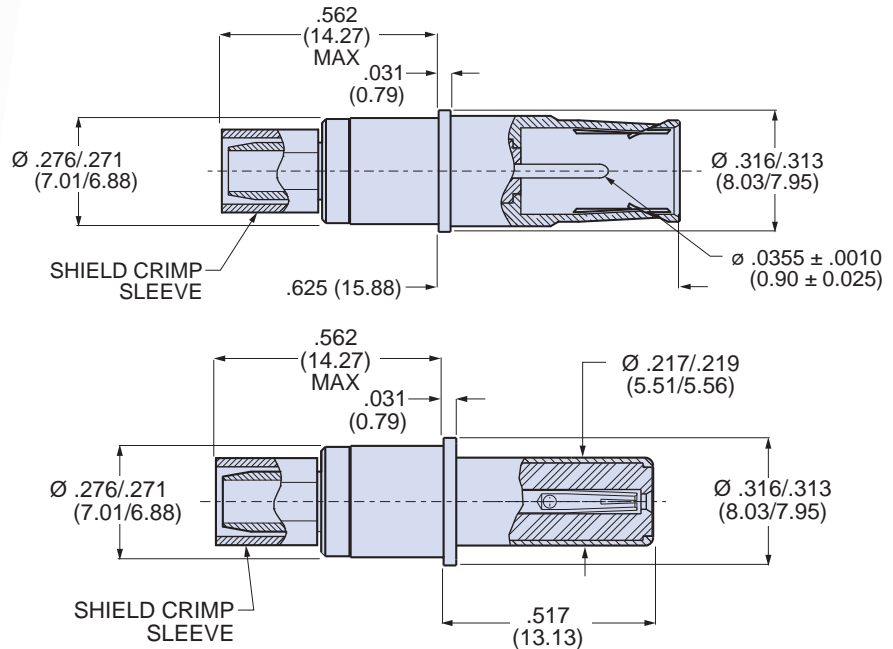
**Fig. 1**  
Pin Contact  
852-007-08-367



**Fig. 2**  
Socket Contact  
852-006-08-366

Coax contacts accept M17/095-RG180 cable. These snap-in, rear release contacts fit Glenair Series 80 Mighty Mouse connectors and Glenair MIL-DTL-38999 Series I, III and IV connectors with size #8 cavities. Crimp termination. Gold-plated copper alloy, Teflon insulator. Supplied unassembled. Order sealing boot separately (fig. 3). 1 A current rating, 500 Vac. SAE AS39029 qualified.

Fig.	Description	Cable Accommodation	Part Number	AS39029 Part Number	Color Bands		
					1st	2nd	3rd
Fig. 1	Pin	M17/095-RG180	852-007-08-367	M39029/60-367	Orn	Blu	Vio
Fig. 2	Socket	M17/095-RG180	852-006-08-366	M39029/59-366	Orn	Blu	Blu
Fig. 3	Sealing Boot	M17/095-RG180	859-042-02				



### Contact Removal Tool

Plastic tool extracts wired contact from connector. First, remove sealing boot, then insert tool from rear of connector.

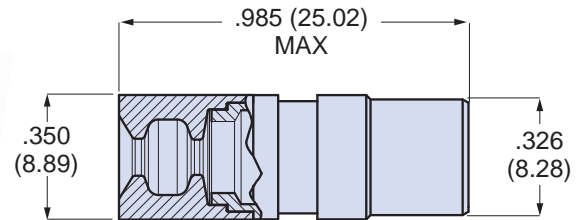
Size	Part Number	Military Part Number
#8	859-049	M81969/14-12



### Sealing Boot

Sealing boot is ordered separately. Slide boot onto wire before terminating contact. After contact is installed in connector, slide boot forward into connector grommet to seal the contact cavity.

Wire Dia. (in.)	Wire Dia. (mm.)	Part Number
.090 - .130	2.3 - 3.3	859-042-01
.130 - .170	3.3 - 4.3	859-042-02
.170 - .205	4.3 - 5.2	859-042-03



Dimensions in Inches (millimeters) are subject to change without notice.

# Mighty Mouse Connectors with Size #8 Quadrax, Twinax, Coax or Power Contacts

## Size #8 Coax Contacts for RG180 Cable



Mighty Mouse  
with #8 Contacts

K

Material and Finish	
Inner Contact, Outer Contact, Inner Ferrule, Crimp Sleeve	Copper alloy, 50 microinches gold over nickel
Insulator	Teflon
Sealing Boot Rigid Dielectric	Ultem
Sealing Boot Grommet	Fluorosilicone

Specifications	
Current Rating	1 ampere
Contact Resistance, Inner Contact	120 millivolt max. voltage drop @ 1 ampere
Contact Resistance – Outer Contact	60 millivolt max. voltage drop @ 12 amperes
Dielectric Withstanding Voltage	1300 Vrms Sea Level, 250 Vrms at 50,000 feet
Temperature Range	-65°C to +200°C
Durability	500 mating cycles
Corrosion	EIA-364-26, condition B, 48 hours
Vibration	EIA-364-28, condition V, letter J, 37g's
Shock	EIA-364-27, condition D, 300g's

### Termination tools for size #8 coax contacts for RG-180 cable



**A** M22520/2-01 crimper for inner contact. Requires **B** positioner, ordered separately. Length is 6.75 inches, weight is approx. 10 oz.

**B** Positioner, M22520/2-31. Use with **A** crimper, ordered separately. Positioner holds contact at proper depth.

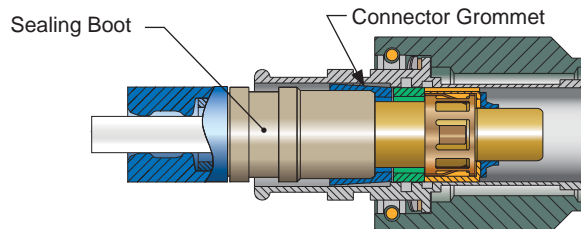
**C** Parallel action tool terminates intermediate contact and outer shield ferrule. Use with **D** hex crimp dies. 11 inches OAL, 2.0 pounds. Anodized aluminum frame, steel mechanism, plastic handles. Accepts all M22520/5 die sets.

**D** Die set for terminating intermediate contact and cable shield. Two closures— .218(5.54) hex closure for cable shield and Requires **C** crimp tool sold separately. Hardened steel, black oxide finish.

Figure	Part Number	Military Part Number	Daniels Part Number
A	809-015	M22520/2-01	AFM8
B	859-050	M22520/2-31	K406
C	809-129	M22520/5-01	HX4
D	859-051	M22520/5-05	Y197

### About Sealing Boots

The sealing boot is necessary to prevent moisture and contamination from penetrating the connector. The sealing boot is ordered separately. The boot consists of a rigid dielectric sleeve and a fluorosilicone rubber grommet. Slide boot onto cable before terminating contact. After the contact is installed into connector, seat the boot into connector grommet.



Dimensions in Inches (millimeters) are subject to change without notice.

SERIES 811

# HIGH DENSITY

Double-density Mighty Mouse connectors with vibration and shock resistant TwistPin contacts



The 811 HD difference is found in our Micro TwistPin Contacts. Widely used for radar, missiles, avionics, and space vehicles, the Micro TwistPin is a spring pin composed of helically wound strands of copper alloy wire, welded into a bundle, then “bulged” and crimped to a copper alloy sleeve. TwistPin contacts are specified for applications that require high mating and demating forces for superior resistance to vibration and shock. These gold-over-nickel plated pins and sockets offer low, stable contact resistance even when subjected to temperature extremes and vibration. Designers of soldier systems and other military electronics, medical and high-end industrial equipment have all turned to the TwistPin contact in order to reduce the size and weight of high-performance systems.



Glenair, Inc.  
1211 Air Way  
Glendale, CA  
91201-2497  
818-247-6000  
sales@glenair.com  
www.glenair.com

**PRODUCT SELECTION GUIDE**



**Series 811 HD In-Line Pigtail Plug Connectors**

Factory terminated in-line plugs with optional PTFE or Tefzel® insulated wire; backpotted with epoxy.

Page L-6



**Series 811 HD In-Line Pigtail Receptacle Connectors**

Factory terminated in-line receptacles with optional PTFE or Tefzel® insulated wire; backpotted with epoxy.

Page L-7



**Series 811 HD Square Flange Pigtail Receptacles**

Factory terminated square flange pigtail receptacles with optional PTFE or Tefzel® insulated wire; backpotted with epoxy.

Page L-8



**Series 811 HD Jam Nut Pigtail Receptacles**

Factory terminated jam nut pigtail receptacles with optional PTFE or Tefzel® insulated wire; backpotted with epoxy.

Page L-10



**Series 811 HD Jam Nut Straight PCB Receptacles**

Jam nut mount straight PC tail receptacles with enhanced environmental sealing for open faced immersion requirements.

Page L-12



**Series 811 HD Square Flange Straight PCB Receptacles**

Square flange panel mount PC tail receptacles with enhanced environmental sealing for open faced immersion requirements.

Page L-13



**Series 811 HD Harsh Environment Cordsets**

Overmolded Series 811 cordsets withstand abrasion and chemical exposure. Silver coated stranded conductors with TFE insulation, tinned copper braid shield and extruded polyurethane jacket.

Page L-15

Dimensions in Inches (millimeters) are subject to change without notice.





## Series 811 Mighty Mouse High Density (HD) General Information



**811-001-06ME9-42SA**

Series 811 Plug



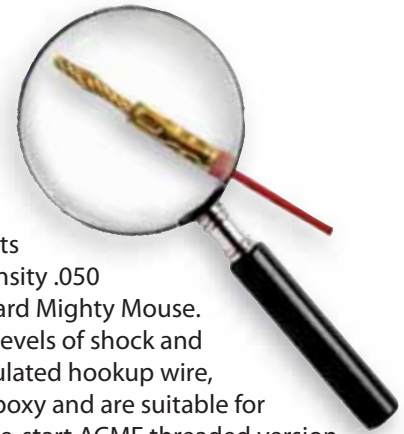
**811-003-07ME9-42PA**

Series 811 Receptacle

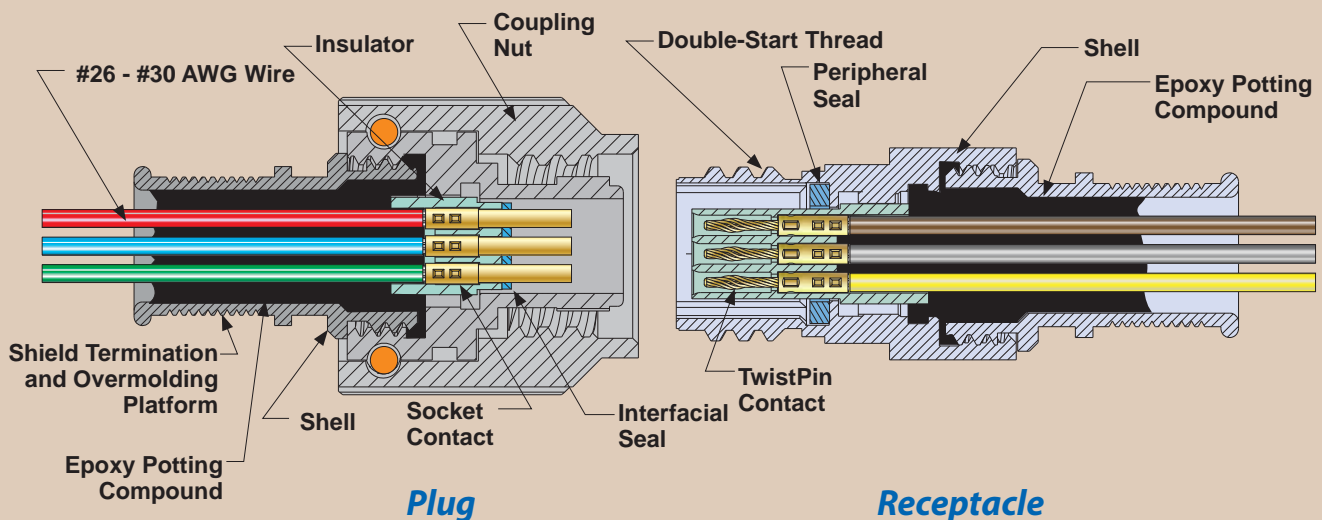
- High Density Micro TwistPin Contact System
- 600 VAC DWV Rating
- 7 to 42 Contacts
- 3 Amp Current Rating
- Water Resistant to 1 Meter

## New Mighty Mouse High Density Connector Delivers Size and Weight Savings and Outstanding Performance

New Series 811 Mighty Mouse HD connector features high performance TwistPin contacts for increased circuit density and outstanding shock and vibration performance. High density .050 inch (1.27mm) contact spacing essentially doubles the pincount compared to our standard Mighty Mouse. The unique spring construction of the pin contact results in excellent resistance to high levels of shock and vibration. Three configurations are available: pre-wired pigtail cable assemblies with insulated hookup wire, shielded cordsets, and printed circuit board versions. Connectors are backpotted with epoxy and are suitable for hostile environment applications. The Series 811 Mighty Mouse HD connector is a double-start ACME threaded version, available with 7, 12, 22, 30 and 42 contacts for size #26 to #30 AWG wire.



### Series 811 Mighty Mouse HD with High Performance TwistPins



Dimensions in Inches (millimeters) are subject to change without notice.



# Series 811 Mighty Mouse High Density (HD) General Information



Mighty Mouse  
High Density

## About TwistPin Contacts

Widely used for radars, missiles, avionics, and space vehicles, the Micro TwistPin is a spring pin composed of helically wound strands of copper alloy wire, welded into a bundle, then "bulged" and crimped to a copper alloy sleeve. These gold over nickel plated pins and sockets offer low, stable contact resistance even when subjected to temperature extremes and vibration. Designers of soldier systems electronics equipment have turned to the TwistPin contact in order to reduce the size and weight of warfighter electronics.

Unlike other microminiature contact systems, the TwistPin contact is terminated to wire with a military-approved four-indent crimp joint. Crimping results in a gas tight connection between the wire and the contact.

### TwistPin Contact



TwistPin



Socket

### Series 811 Mighty Mouse Hd Contact Arrangements

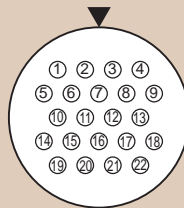
Pin insert shown, use reverse order for socket inserts.



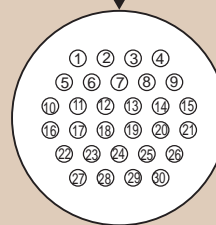
**5-7**  
7 Contacts



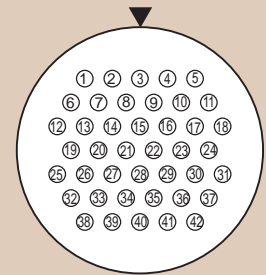
**6-12**  
12 Contacts



**7-22**  
22 Contacts



**8-30**  
30 Contacts



**9-42**  
42 Contacts

### MIL-STD-681 Color Code Chart

PIN NO.	MIL-STD-681 NUMBER	Base Color	First Stripe	Second Stripe	PIN NO.	MIL-STD-681 NUMBER	Base Color	First Stripe	Second Stripe
1	0	BLK			22	903	WHT	BLK	ORN
2	1	BRN			23	904	WHT	BLK	YEL
3	2	RED			24	905	WHT	BLK	GRN
4	3	ORN			25	906	WHT	BLK	BLU
5	4	YEL			26	907	WHT	BLK	VIO
6	5	GRN			27	908	WHT	BLK	GRY
7	6	BLU			28	912	WHT	BRN	RED
8	7	VIO			29	913	WHT	BRN	ORN
9	8	GRY			30	914	WHT	BRN	YEL
10	9	WHT			31	915	WHT	BRN	GRN
11	90	WHT	BLK		32	916	WHT	BRN	BLU
12	91	WHT	BRN		33	917	WHT	BRN	VIO
13	92	WHT	RED		34	918	WHT	BRN	GRY
14	93	WHT	ORN		35	923	WHT	RED	ORN
15	94	WHT	YEL		36	924	WHT	RED	YEL
16	95	WHT	GRN		37	925	WHT	RED	GRN
17	96	WHT	BLU		38	926	WHT	RED	BLU
18	97	WHT	VIO		39	927	WHT	RED	VIO
19	98	WHT	GRY		40	928	WHT	RED	GRY
20	901	WHT	BLK	BRN	41	934	WHT	ORN	YEL
21	902	WHT	BLK	RED	42	935	WHT	ORN	GRN

Dimensions in Inches (millimeters) are subject to change without notice.



## Series 811 Mighty Mouse High Density (HD) Double-Start ACME Threads Connector Selection Guide

### Series 811 Mighty Mouse HD with Double-Start ACME Mating Thread and .050" pitch (1.27mm) TwistPin Contact

Series 811 Mighty Mouse HD connector is a high density version of the Mighty Mouse Series 801 connector. The Series 811 connector features a quick-mating, damage-resistant double-start thread with the Glenair TwistPin contact system for increased circuit density.

#### Series 811 Mighty Mouse HD Connector Selector



**In-Line Plugs**  
Page L-6



**In-Line Receptacles**  
Page L-7



**Square Flange Receptacles**  
Page L-8



**Jam Nut Receptacles**  
Page L-10



**Jam Nut PCB Receptacles**  
Page L-12



**Square Flange PCB Receptacles**  
Page L-13



**Overmolded Cordsets**  
Page L-15

#### Jam Nut Tightening Tool

Tightening tools fit Series 811 spanner nuts supplied with jam nut receptacle connectors. Use with square drive torque wrench. Torque to 20-25 inch-pounds (2.2-2.8 N m). Carbon steel, nickel plated.



Shell Size	Jam Nut Tool Part Number	Drive Square
5	<a href="#">600-146-02</a>	1/4" Drive
6	<a href="#">600-146-03</a>	1/4" Drive
7	<a href="#">600-146-05</a>	3/8" Drive
8	<a href="#">600-146-05</a>	3/8" Drive
9	<a href="#">600-146-06</a>	3/8" Drive

Dimensions in Inches (millimeters) are subject to change without notice.

# Series 811 Mighty Mouse High Density (HD) Specifications



Mighty Mouse  
High Density

## Application Note:

### Sand and Dust Exposure

Glenair TwistPin contacts can be damaged by sand and dust. Unmated connectors should be covered to prevent debris and contamination from accumulating inside the contact cavities. Protective covers are recommended.

Specifications	
Current Rating	3 AMPS
Dielectric Withstanding Voltage	600 VAC sea level, 150 VAC at 70,000 ft.
Insulation Resistance	5000 megohms minimum
Operating Temperature	-65° C. to +175° C.
Contact Resistance	8 milliohms maximum
Low Level Contact Resistance	32 milliohms maximum
Water Immersion, Mated	MIL-STD-810G, Method 512.5 1 meter for 1 hour
Water Ingress, Mated	Ingress protection 67
Helium Leak rate, Sealed PC tail Receptacles (811-006)	1 x 10 <sup>-4</sup> cc/sec at 1 atmos. pressure differential, following 5 cycles of thermal shock
Shock	300 g's (MIL-DTL-38999 para. 4.5.21.1)
Vibration, Sine	60 g's (MIL-DTL-38999 para. 4.5.23.2.1)
Vibration, Random	23 g's (MIL-DTL-38999 para. 4.4.23.1)
Humidity	EIA-364-31, Cond. IV
Altitude-Low Temperature	EIA-364-105
Durability	2000 cycles of mating
Magnetic Permeability	2 μ maximum
Corrosion (Salt Spray)	Electroless Nickel finish (ME) 96 hours Nickel-PTFE finish (MT) 500 hours Black Zinc-Nickel (ZR) 500 Hours
Shielding Effectiveness	55 dB minimum from 100MHz to 1000MHz.

Materials and Finishes	
Shell, Jam Nut, Coupling Nut	Aluminum alloy
Contact	Copper alloy, 50 μ inch gold over nickel plated
Insulator	Glass-reinforced thermoplastic
Interfacial Seal, O-ring, Peripheral Seal	Fluorosilicone rubber

Series 811 Recommended Torque Values								
Layout	Coupling Torque				Jam Nut Tightening			
	In-Lbs.		N-m		In-Lbs.		N-m	
	Min.	Max.	Min.	Max.	Min.	Max.	Min.	Max.
5-7	25	35	2.8	4.0	20	25	2.2	2.8
6-12	35	40	4.0	4.5	20	25	2.2	2.8
7-22	35	40	4.0	4.5	20	25	2.2	2.8
8-30	40	50	4.5	5.7	20	25	2.2	2.8
9-42	40	50	4.5	5.7	20	25	2.2	2.8

Key Positions				
Position	A°	B°		
A	140°	220°		
B	65°	220°		
C	85°	240°		
D	130°	285°		
E	65°	285°		
F	85°	220°		

Dimensions in Inches (millimeters) are subject to change without notice.



# Series 811 Mighty Mouse High Density (HD) Pre-Wired Plug Connectors

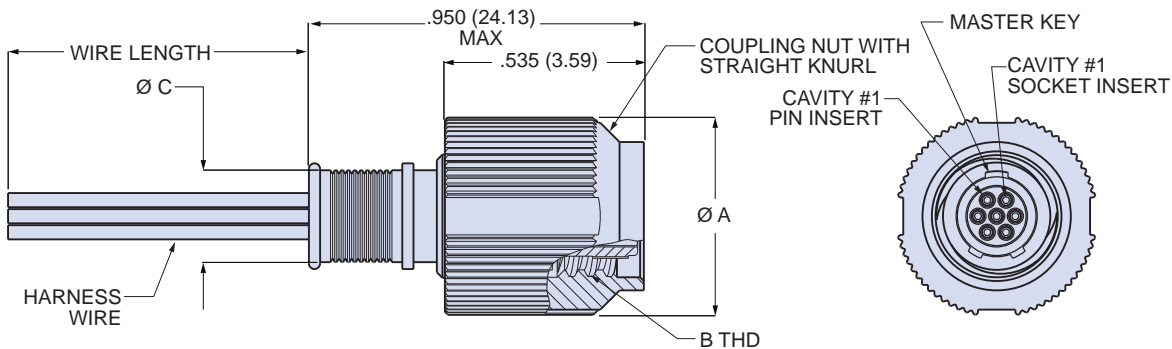
811-001-06



**Pre-Wired Plug Connectors** Series 811 Mighty Mouse High Density plugs feature damage-resistant double-start ACME mating threads and integral shielding/overmolding platforms. These plugs are factory-terminated to insulated wire and backpotted with epoxy. The TwistPin contact system meets requirements of MIL-DTL-83513 and provides outstanding resistance to high levels of shock and vibration. Choose Type K general purpose Teflon® wire or Type J lightweight space-grade Tefzel® wire. 3A current rating, 600 VAC dielectric withstanding voltage.

### How To Order

<b>Sample Part Number</b>	<b>811-001-06</b>	<b>MT</b>	<b>5-7</b>	<b>P</b>	<b>A</b>	<b>6</b>	<b>K</b>	<b>7</b>	<b>-18</b>
<b>Series</b>	811-001-06 = Plug with Standard Coupling								
<b>Material/Finish</b>	See Material and Finish Table								
<b>Shell Size - Insert Arr.</b>	5-7 = 7 Contacts    6-12 = 12 Contacts    7-22 = 22 Contacts			8-30 = 30 Contacts    9-42 = 42 Contacts					
<b>Contact Type</b>	P = Pin Contacts    S = Socket Contacts								
<b>Key Position</b>	A = Normal    Alternate Key Positions: B, C, D, E, F								
<b>Wire size</b>	6 = #26 AWG    8 = #28 AWG (color code 1 or 7 only) 0 = #30 AWG (Wire Type J, color code 1 or 7 only)								
<b>Wire Type</b>	K = M22759/11    J = M22759-33    E = NEMA HP3-EB								
<b>Wire Color</b>	1 = White    5 = Color code per MIL-STD-681 (striped)*			7 = 10 Solid colors, repeating					
<b>Wire Length (inches)</b>	12, 18, 36, 72 Specify any length from 2 inches to 144 inches								



\*Size 28 AWG and Size 30 AWG J type wire not available in striped color code 5

Material and Finish		
Code	Material	Finish
ME	Aluminum	Electroless Nickel
ZNU	Aluminum	Zinc-Nickel-PTFE with Black Chromate
MT	Aluminum	Nickel-PTFE
ZR	Aluminum	Zinc-Nickel with Black Chromate
Z1	Stainless Steel	Passivated

ZR plating is RoHS compliant and non-reflective.  
ZNU plating is non-reflective and passes 1,00 hours salt spray testing

Shell Size	Ø A		B Thread	Ø C	
	In.	mm.		In.	mm.
	5	.540	13.72	.3125-.05P-.1L-2B	.246
6	.600	15.24	.375-.05P-.1L-2B	.286	7.26
7	.730	18.54	.4375-.05P-.1L-2B	.391	9.93
8	.800	20.32	.5000-.05P-.1L-2B	.443	11.25
9	.862	21.89	.5625-.05P-.1L-2B	.498	12.65

Dimensions in Inches (millimeters) are subject to change without notice.

# Series 811 Mighty Mouse High Density (HD) Pre-Wired In-Line Receptacle Connectors

811-003-01

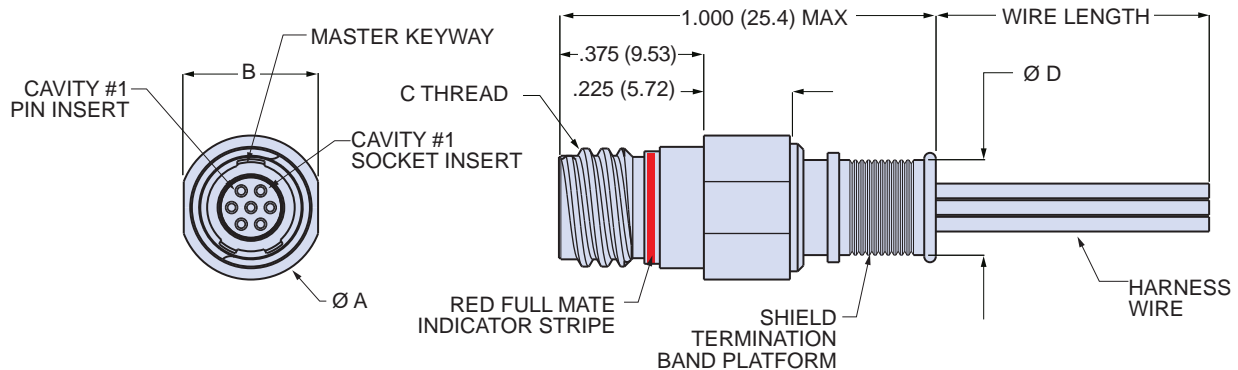


Mighty Mouse  
High Density



**In-Line Pigtail Receptacles** Series 811 Mighty Mouse High Density in-line receptacles feature damage-resistant double-start ACME mating threads and integral shielding/overmolding platforms. These receptacles are factory-terminated to insulated wire and backpotted with epoxy. The TwistPin contact system meets requirements of MIL-DTL-83513 and provides outstanding resistance to high levels of shock and vibration. Choose Type K general purpose Teflon® wire or Type J lightweight space-grade Tefzel® wire. 3A current rating, 600 VAC dielectric withstanding voltage.

How To Order									
<b>Sample Part Number</b>	<b>811-003-01</b>	<b>MT</b>	<b>5-7</b>	<b>S</b>	<b>A</b>	<b>8</b>	<b>K</b>	<b>7</b>	<b>-18</b>
<b>Series</b>	811-003-01 = Inline								
<b>Material/Finish</b>	See Material and Finish Table								
<b>Shell Size - Insert Arr.</b>	5-7 = 7 Contacts    6-12 = 12 Contacts    7-22 = 22 Contacts			8-30 = 30 Contacts    9-42 = 42 Contacts					
<b>Contact Type</b>	P = Pin Contacts    S = Socket Contacts								
<b>Key Position</b>	A = Normal    Alternate Key Positions: B, C, D, E, F								
<b>Wire size</b>	6 = #26 AWG    8 = #28 AWG (color code 1 or 7 only)			0 = #30 AWG (Wire Type J, color code 1 or 7 only)					
<b>Wire Type</b>	K = M22759/11    J = M22759-33    E = NEMA HP3-EB								
<b>Wire Color</b>	1 = White    5 = Color code per MIL-STD-681 (striped)*			7 = 10 Solid colors, repeating					
<b>Wire Length (inches)</b>	12, 18, 36, 72 Specify any length from 2 inches to 144 inches								



\*Size 28 AWG and Size 30 AWG J type wire not available in striped color code 5

Material and Finish		
Code	Material	Finish
<b>ME</b>	Aluminum	Electroless Nickel
<b>ZNU</b>	Aluminum	Zinc-Nickel-PTFE with Black Chromate
<b>MT</b>	Aluminum	Nickel-PTFE
<b>ZR</b>	Aluminum	Zinc-Nickel with Black Chromate
<b>Z1</b>	Stainless Steel	Passivated

ZR plating is RoHS compliant and non-reflective.  
ZNU plating is non-reflective and passes 1,000 hours salt spray testing

Dimensions							
Shell Size	Ø A		B Flat		C Thread	Ø D	
	In.	mm.	In.	mm.		In.	mm.
5	.375	9.53	.350	8.89	.3125-.05P-.1L-2A	.246	6.25
6	.415	10.54	.390	9.91	.3750-.05P-.1L-2A	.286	7.26
7	.500	12.70	.475	12.07	.4375-.05P-.1L-2A	.391	9.93
8	.580	14.73	.555	14.10	.5000-.05P-.1L-2A	.443	11.25
9	.635	16.13	.610	15.49	.5625-.05P-.1L-2A	.498	12.65

Dimensions in Inches (millimeters) are subject to change without notice.



# Series 811 Mighty Mouse High Density (HD) Pre-Wired Square Flange Receptacle Connectors

811-003-02 and 811-004-02



**Square Flange Pigtail Receptacles** series 811 Mighty Mouse High Density panel mount receptacles feature damage-resistant double-start ACME mating threads. These receptacles are factory-terminated to insulated wire and backpotted with epoxy. The TwistPin contact system meets requirements of MIL-DTL-83513 and provides outstanding resistance to high levels of shock and vibration. Choose Type K general purpose Teflon® wire or Type J lightweight space-grade Tefzel® wire. 3A current rating, 600 VAC dielectric withstanding voltage.

L

How To Order									
<b>Sample Part Number</b>	<b>811-003-02</b>	<b>MT</b>	<b>5-7</b>	<b>P</b>	<b>A</b>	<b>6</b>	<b>K</b>	<b>7</b>	<b>-18</b>
<b>Series</b>	<b>811-003-02</b> = Panel Mount Square Flange Receptacle Connector with Termination Platform for Shield Attachment or Overmolding <b>811-004-02</b> = Low Profile Panel Mount Square Flange Receptacle Connector								
<b>Material/Finish</b>	See Material and Finish Table								
<b>Shell Size - Insert Arr.</b>	<b>5-7</b> = 7 Contacts <b>6-12</b> = 12 Contacts <b>7-22</b> = 22 Contacts <b>8-30</b> = 30 Contacts <b>9-42</b> = 42 Contacts								
<b>Contact Type</b>	<b>P</b> = Pin Contacts <b>S</b> = Socket Contacts								
<b>Key Position</b>	<b>A</b> = Normal    Alternate Key Positions: <b>B, C, D, E, F</b>								
<b>Wire size</b>	<b>6</b> = #26 <b>8</b> = #28 (Color code 1 or 7 only) <b>0</b> = #30 (Wire Type J, color code 1 or 7 only)								
<b>Wire Type</b>	<b>K</b> = M22759/11 <b>J</b> = M22759-33 <b>E</b> = NEMA HP3-EB								
<b>Wire Color</b>	<b>1</b> = White <b>5</b> = Color code per MIL-STD-681 (striped)* <b>7</b> = 10 Solid colors, repeating								
<b>Wire Length (inches)</b>	<b>12, 18, 36, 72</b> Specify any length from 2 inches to 144 inches								

\*Size 28 AWG and Size 30 AWG J type wire not available in striped color code 5

Material and Finish		
Code	Material	Finish
<b>ME</b>	Aluminum	Electroless Nickel
<b>ZNU</b>	Aluminum	Zinc-Nickel-PTFE with Black Chromate
<b>MT</b>	Aluminum	Nickel-PTFE
<b>ZR</b>	Aluminum	Zinc-Nickel with Black Chromate
<b>Z1</b>	Stainless Steel	Passivated

ZR plating is RoHS compliant and non-reflective.  
 ZNU plating is non-reflective and passes 1,00 hours salt spray testing

Table I: Series	
<b>811-005-02</b> Receptacle with Banding Platform	<b>811-004-02</b> Low Profile Receptacle with Banding Platform

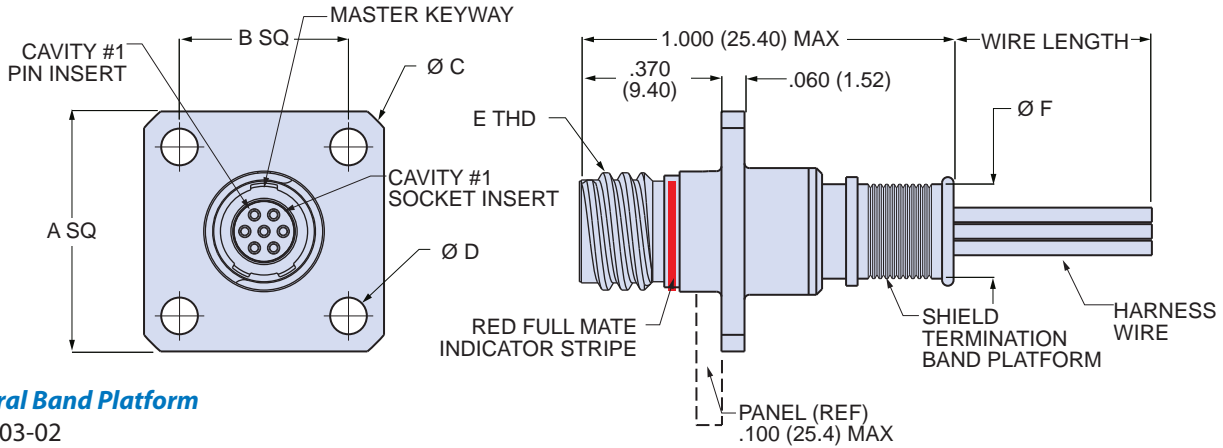
Dimensions in Inches (millimeters) are subject to change without notice.

Series 811 Mighty Mouse High Density (HD)  
Pre-Wired Square Flange Receptacle Connectors  
811-003-02 and 811-004-02

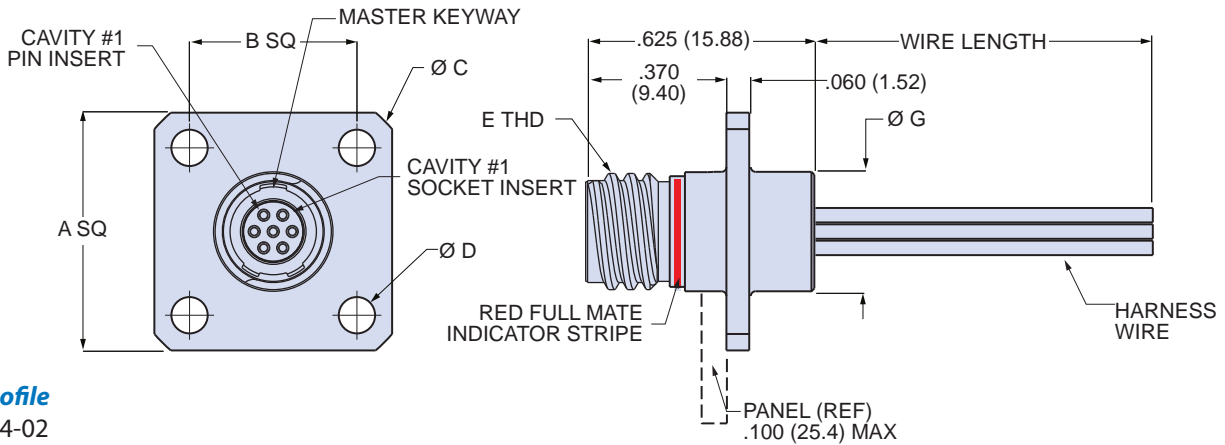


Mighty Mouse  
High Density

**Square flange receptacle, low profile or with band platform**

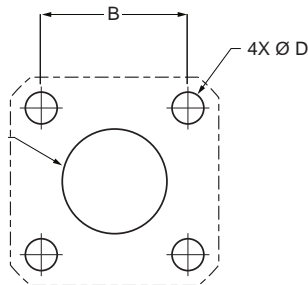


**Integral Band Platform**  
811-003-02



**Low Profile**  
811-004-02

Dimensions													
Shell Size	A Square		B Square		Ø C		Ø D		E Thread	Ø F		Ø G	
	In.	mm.	In.	mm.	In.	mm.	In.	mm.		In.	mm.	In.	mm.
5	.625	15.88	.440	11.18	.825	20.96	.093	2.36	.3125-.05P-.1L-2A	.246	6.25	.320	8.13
6	.725	18.42	.530	13.46	.950	24.13	.093	2.36	.3750-.05P-.1L-2A	.286	7.26	.375	9.53
7	.800	20.32	.600	15.24	1.050	26.67	.093	2.36	.4375-.05P-.1L-2A	.391	9.93	.480	12.19
8	.850	21.59	.650	16.51	1.125	28.58	.093	2.36	.5000-.05P-.1L-2A	.443	11.25	.540	13.72
9	.950	24.13	.750	19.05	1.250	31.75	.093	2.36	.5625-.05P-.1L-2A	.498	12.65	.600	15.24



Panel Cutout		
Shell Size	Ø R	
	In.	mm.
5	.350	8.89
6	.390	9.91
7	.500	12.70
8	.560	14.22
9	.620	15.75

Dimensions in Inches (millimeters) are subject to change without notice.



# Series 811 Mighty Mouse High Density (HD) Pre-Wired Jam Nut Receptacle Connectors

811-003-07 and 811-004-07

**Jam Nut Pigtail Receptacles** Series 811 Mighty Mouse High Density rear panel mount jam nut receptacles feature damage-resistant double-start ACME mating threads. These receptacles are factory-terminated to insulated wire and backpotted with epoxy. The TwistPin contact system meets requirements of MIL-DTL-83513 and provides outstanding resistance to high levels of shock and vibration. Choose Type K general purpose Teflon<sup>®</sup> wire or Type J lightweight space-grade Tefzel<sup>®</sup> wire. 3A current rating, 600 VAC dielectric withstanding voltage.



L

How To Order									
<b>Sample Part Number</b>	<b>811-003-07</b>	<b>MT</b>	<b>5-7</b>	<b>P</b>	<b>A</b>	<b>6</b>	<b>K</b>	<b>7</b>	<b>-18</b>
<b>Series</b>	<b>811-003-07</b> = Jam Nut Mount with Band Platform <b>811-004-07</b> = Low Profile Jam Nut Mount, no Band Platform								
<b>Material/Finish</b>	See Material and Finish Table								
<b>Shell Size - Insert Arr.</b>	<b>5-7</b> = 7 Contacts <b>6-12</b> = 12 Contacts <b>7-22</b> = 22 Contacts <b>8-30</b> = 30 Contacts <b>9-42</b> = 42 Contacts								
<b>Contact Type</b>	<b>P</b> = Pin Contacts <b>S</b> = Socket Contacts								
<b>Key Position</b>	<b>A</b> = Normal    Alternate Key Positions: <b>B, C, D, E, F</b>								
<b>Wire size</b>	<b>6</b> = #26 AWG <b>8</b> = #28 AWG (Color code 1 or 7 only) <b>0</b> = #30 AWG (Wire Type J, color code 1 or 7 only)								
<b>Wire Type</b>	<b>K</b> = M22759/11 <b>J</b> = M22759-33 <b>E</b> = NEMA HP3-EB								
<b>Wire Color</b>	<b>1</b> = White <b>5</b> = Color code per MIL-STD-681 (striped)* <b>7</b> = 10 Solid colors, repeating								
<b>Wire Length (inches)</b>	<b>12, 18, 36, 72</b> Specify any length from 2 inches to 144 inches								

\*Size 28 AWG and Size 30 AWG J type wire not available in striped color code 5

Material and Finish		
Code	Material	Finish
<b>ME</b>	Aluminum	Electroless Nickel
<b>ZNU</b>	Aluminum	Zinc-Nickel-PTFE with Black Chromate
<b>MT</b>	Aluminum	Nickel-PTFE
<b>ZR</b>	Aluminum	Zinc-Nickel with Black Chromate
<b>Z1</b>	Stainless Steel	Passivated
ZR plating is RoHS compliant and non-reflective.		
ZNU plating is non-reflective and passes 1,00 hours salt spray testing		

Table I: Series	
<b>811-003-07</b> Panel Mount Jam Nut Receptacle Banding Platform	<b>811-004-07</b> Low Profile Panel Mount Jam Nut Receptacle, No Band Platform

Dimensions in Inches (millimeters) are subject to change without notice.

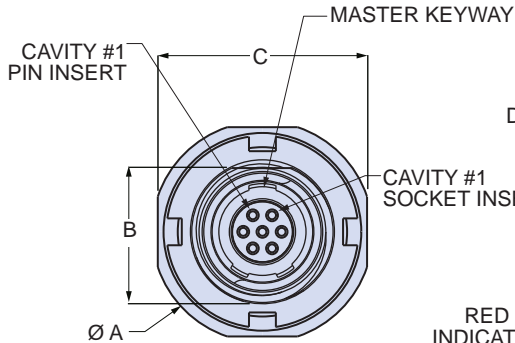


Series 811 Mighty Mouse High Density (HD)  
Pre-Wired Jam Nut Receptacle Connectors  
811-003-07 and 811-004-07

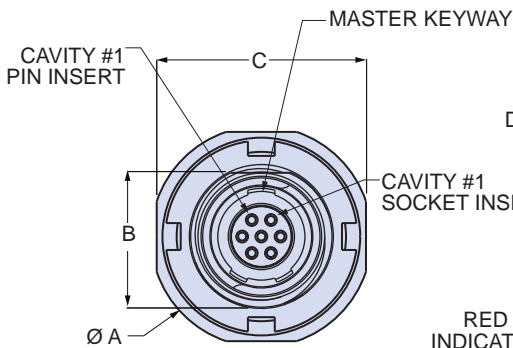
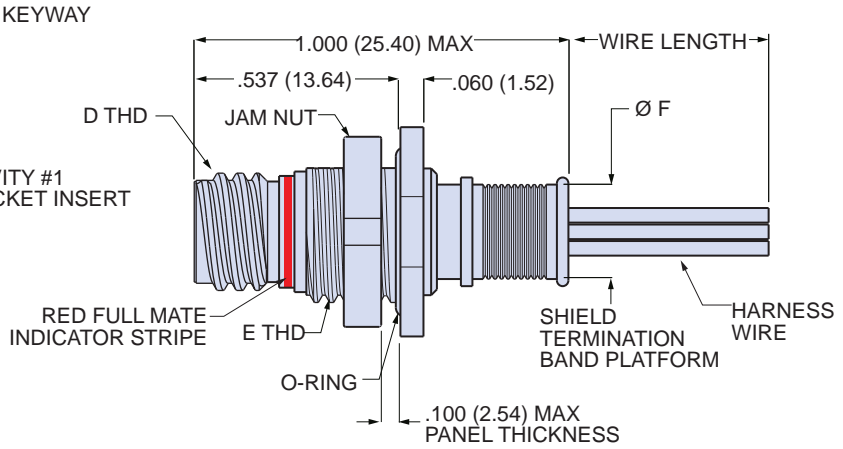


Mighty Mouse  
High Density

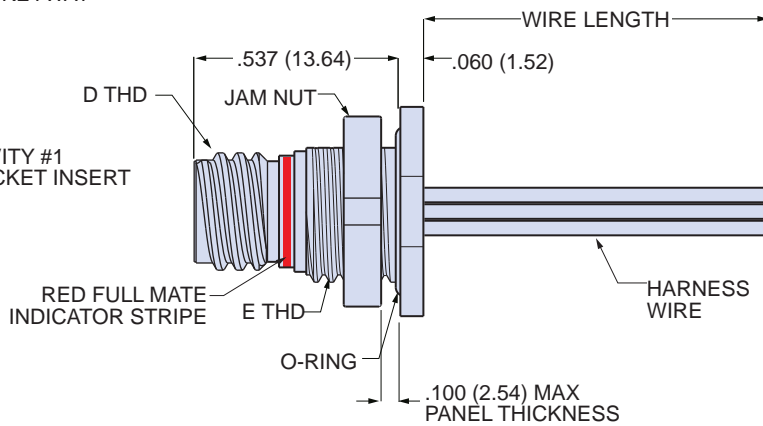
**Square flange receptacle, low profile or with band platform**



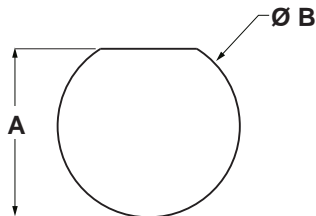
811-003-07  
With Band Platform



811-004-07  
Low Profile



Dimensions										
Shell Size	Ø A		B		C		D Thread	ETHD UN-2A	Ø F	
	In.	mm.	In.	mm.	In.	mm.			In.	mm.
5	.575	14.61	.350	8.89	.545	13.84	.3125-.05P-.1L-2A	.375-28	.246	6.25
6	.635	16.13	.410	10.41	.595	15.11	.3750-.05P-.1L-2A	.4375-28	.286	7.26
7	.755	19.18	.536	13.61	.723	18.36	.4375-.05P-.1L-2A	.5625-32	.391	9.93
8	.755	19.18	.536	13.61	.723	18.36	.5000-.05P-.1L-2A	.5625-32	.443	11.25
9	.830	21.08	.596	15.14	.790	20.07	.5625-.05P-.1L-2A	.625-28	.498	12.65



Panel Cutout				
Shell Size	A		B Ø	
	In.±.002	mm.±0.05	In.±.002	mm.±0.05
5	.356	9.04	.385	9.78
6	.416	10.57	.447	11.35
7	.542	13.77	.572	14.53
8	.542	13.77	.572	14.53
9	.602	15.29	.635	16.13

Dimensions in Inches (millimeters) are subject to change without notice.



# Series 811 Mighty Mouse High Density (HD) Jam Nut PCB Receptacle Connectors

811-005-07 and 811-006-07 with PC Tails

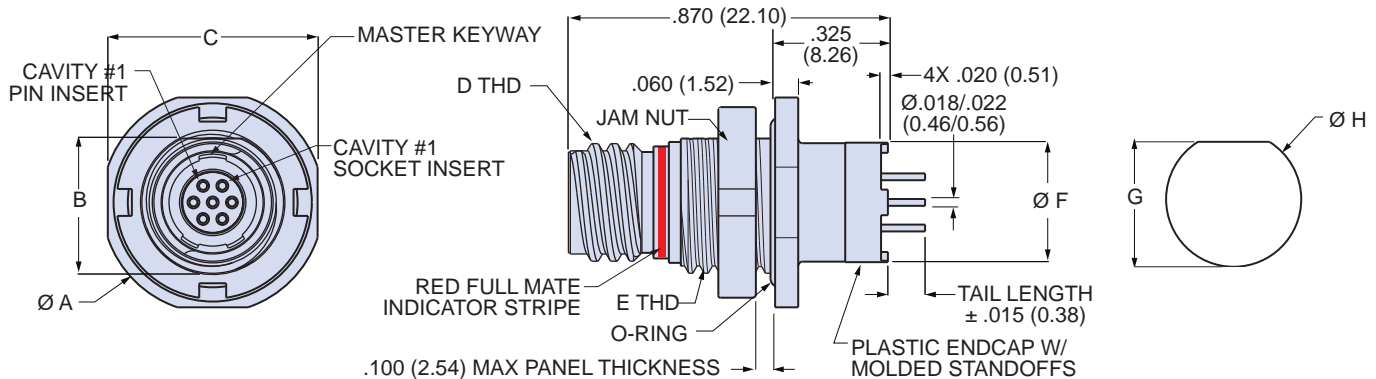


**Jam Nut PC Tail Receptacles** Series 811 Mighty Mouse High Density jam nut PCB receptacles have straight PC tails for termination to flex circuits or rigid boards. These receptacles are backpotted with epoxy. The TwistPin contact system meets requirements of MIL-DTL-83513 and provides outstanding resistance to high levels of shock and vibration. Choose solder-dipped or gold-plated tails. Select 811-006-07 with enhanced waterblocking for open face (unmated) immersion requirements. Molded plastic endcap has standoffs. 3A current rating, 600 VAC dielectric withstanding voltage.

### How To Order

<b>Sample Part Number</b>	<b>811-005-07</b>	<b>MT</b>	<b>5-7</b>	<b>P</b>	<b>A</b>	<b>3</b>	<b>-.125</b>
<b>Series</b>	<b>811-005-07</b> Series 811 rear panel mount jam nut receptacle, straight pc tails, standard epoxy sealing <b>811-006-07</b> Series 811 rear panel mount jam nut receptacle, straight pc tails, enhanced water blocking for open face (unmated) water immersion						
<b>Material/Finish*</b>	<b>ME</b> = Aluminum/Electroless Nickel <b>ZNU</b> = Aluminum/Black Zinc-Nickel <b>MT</b> = Aluminum/Nickel-PTFE <b>ZR</b> = Aluminum/Black Zinc-Nickel <b>Z1</b> = Stainless Steel/Passivated						
<b>Shell Size - Insert Arr.</b>	<b>5-7</b> = 7 Contacts		<b>7-22</b> = 22 Contacts		<b>9-42</b> = 42 Contacts		
<b>Contact Type</b>	<b>P</b> = Pin Contacts <b>S</b> = Socket Contacts						
<b>Key Position</b>	<b>A</b> = Normal    Alternate Key Positions: <b>B, C, D, E, F</b>						
<b>PC Tail Finish</b>	<b>3</b> = Solder-Dipped in 63/37 Tin-Lead			<b>4</b> = Gold Plated			
<b>PC Tail Length</b>	<b>.090, .125, .250</b> (Other lengths are readily available)						

\* **ZR** plating is RoHS compliant and non-reflective, **ZNU** plating is non-reflective and passes 1,00 hours salt spray testing



Shell Size	Ø A		B		C		D Thread	E THD UN-2A	Ø F	
	In.	mm.	In.	mm.	In.	mm.			In.	mm.
5	.575	14.61	.350	8.89	.545	13.84	.3125-.05P-.1L-2A	.375-28	.350	8.89
6	.635	16.13	.410	10.41	.602	15.29	.375-.05P-.1L-2A	.4375-28	.490	12.45
7	.755	19.18	.536	13.61	.723	18.36	.4375-.05P-.1L-2A	.5625-32	.600	15.24
8	.755	19.18	.536	13.61	.723	18.36	.5000-.05P-.1L-2A	.5625-32	.670	17.02
9	.830	21.08	.596	15.14	.791	20.09	.5625-.05P-.1L-2A	.625-28	.770	19.56

Shell Size	G		H Ø	
	In.±.002	mm.±0.05	In.±.002	mm.±0.05
5	.356	9.04	.385	9.78
6	.416	10.57	.447	11.35
7	.542	13.77	.572	14.53
8	.542	13.77	.572	14.53
9	.602	15.29	.635	16.13

Dimensions in Inches (millimeters) are subject to change without notice.

# Series 811 Mighty Mouse High Density (HD) Square Flange PCB Receptacle Connectors

811-005-02 and 811-006-02 with PC Tails



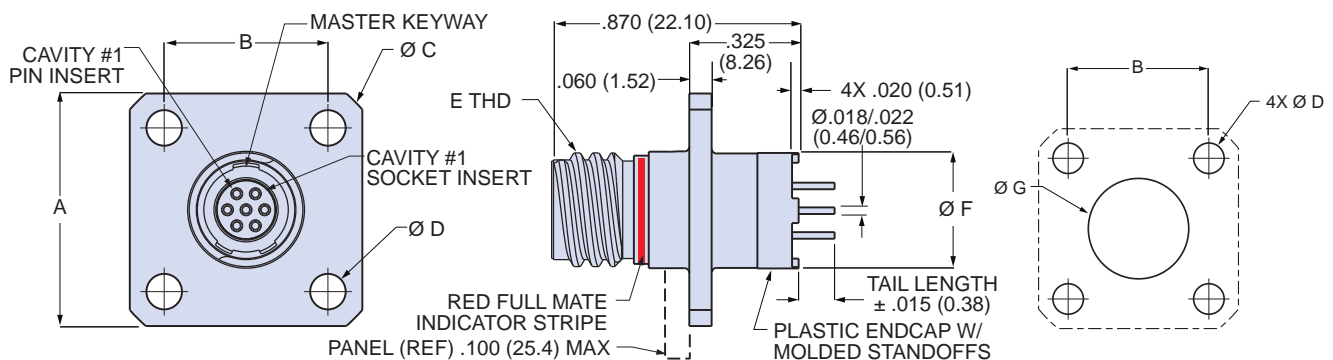
Mighty Mouse  
High Density



**Square Flange PC Tail Receptacles** Series 811 Mighty Mouse High Density jam nut PCB receptacles have straight PC tails for termination to flex circuits or rigid boards. These receptacles are backpotted with epoxy. The TwistPin contact system meets requirements of MIL-DTL-83513 and provides outstanding resistance to high levels of shock and vibration. Choose solder-dipped or gold-plated tails. Select 811-006-02 with enhanced waterblocking for open face (unmated) immersion requirements. Molded plastic endcap has standoffs. 3A current rating, 600 VAC dielectric withstanding voltage.

How To Order							
<b>Sample Part Number</b>	<b>811-005-02</b>	<b>MT</b>	<b>5-7</b>	<b>P</b>	<b>A</b>	<b>3</b>	<b>-.125</b>
<b>Series</b>	<b>811-005-02</b> Series 811 Rear Panel Mount Square Flange Receptacle, Straight PC Tails, Standard Epoxy Sealing <b>811-006-02</b> Series 811 Rear Panel Mount Square Flange Receptacle, Straight PC Tails, Enhanced Water Blocking for Open Face (Unmated) Water Immersion						
<b>Material/Finish *</b>	<b>ME</b> = Aluminum/Electroless Nickel <b>MT</b> = Aluminum/Nickel-PTFE <b>Z1</b> = Stainless Steel/Passivated		<b>ZNU</b> = Aluminum/ Black Zinc-Nickel <b>ZR</b> = Aluminum/Black Zinc-Nickel				
<b>Shell Size - Insert Arr.</b>	<b>5-7</b> = 7 Contacts <b>6-12</b> = 12 Contacts		<b>7-22</b> = 22 Contacts <b>8-30</b> = 30 Contacts		<b>9-42</b> = 42 Contacts		
<b>Contact Type</b>	<b>P</b> = Pin Contacts <b>S</b> = Socket Contacts						
<b>Key Position</b>	<b>A</b> = Normal     Alternate Key Positions: <b>B, C, D, E, F</b>						
<b>PC Tail Finish</b>	<b>3</b> = Solder-Dipped in 63/37 Tin-Lead			<b>4</b> = Gold Plated			
<b>PC Tail Length</b>	<b>.090, .125, .250</b> (Other lengths are readily available)						

\* **ZR** plating is RoHS compliant and non-reflective, **ZNU** plating is non-reflective and passes 1,000 hours salt spray testing



Dimensions											
Shell Size	A Square		B Square		Ø C		Ø D		E Thread	Ø F	
	In.	mm.	In.	mm.	In.	mm.	In.	mm.		In.	mm.
5	.625	15.88	.440	11.18	.825	20.96	.093	2.36	.3125-.05P-.1L-2A	.350	8.89
6	.725	18.42	.530	13.46	.950	24.13	.093	2.36	.3750-.05P-.1L-2A	.490	12.45
7	.800	20.32	.600	15.24	1.050	26.67	.093	2.36	.4375-.05P-.1L-2A	.600	15.24
8	.850	21.59	.650	16.51	1.125	28.58	.093	2.36	.5000-.05P-.1L-2A	.670	17.02
9	.950	24.13	.750	19.05	1.250	31.75	.093	2.36	.5625-.05P-.1L-2A	.770	19.56

Panel Cutout		
Shell Size	Ø G	
	In.	mm.
5	.360	9.14
6	.410	10.41
7	.520	13.21
8	.570	14.48
9	.660	16.76


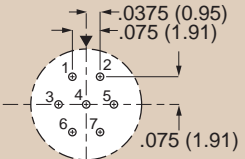
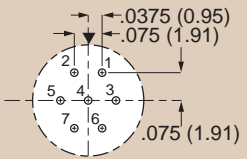

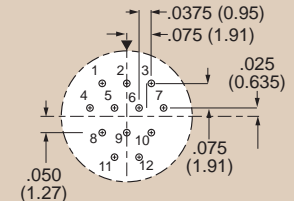
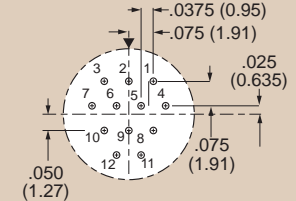
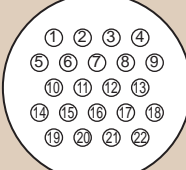
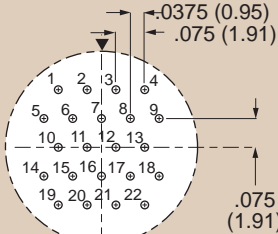
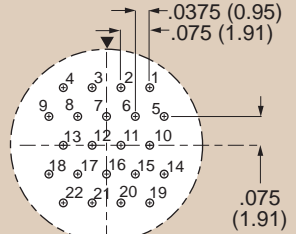
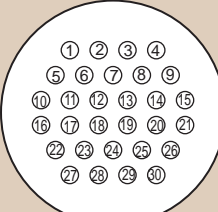
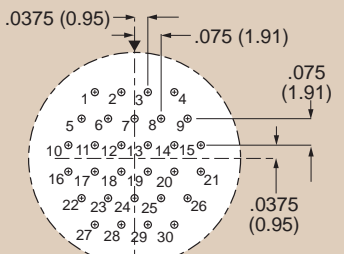
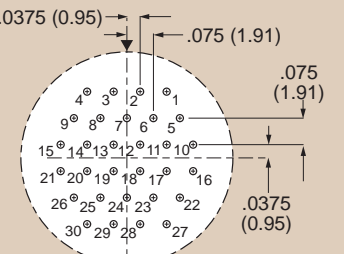
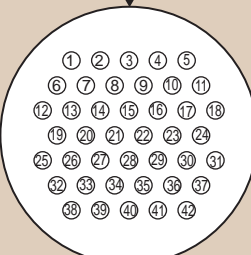
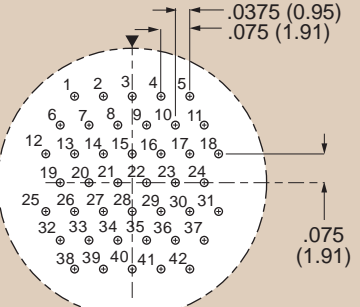
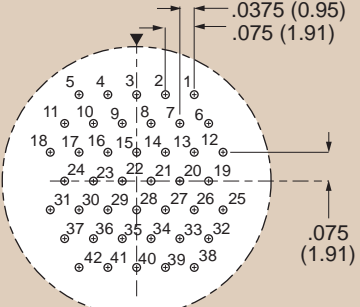
Dimensions in Inches (millimeters) are subject to change without notice.



# Series 811 Mighty Mouse High Density (HD) PCB Receptacle Connector Hole Patterns

811-005 and 811-006

## Component Mounting Side of PCB

	Component Mounting Side of PCB	
 <p><b>Pin Insert Engaging Face 5-7</b></p>	 <p><b>Pin Connector</b></p>	 <p><b>Socket Connector</b></p>
 <p><b>Pin Insert Engaging Face 6-12</b></p>	 <p><b>Pin Connector</b></p>	 <p><b>Socket Connector</b></p>
 <p><b>Pin Insert Engaging Face 7-22</b></p>	 <p><b>Pin Connector</b></p>	 <p><b>Socket Connector</b></p>
 <p><b>Pin Insert Engaging Face 8-30</b></p>	 <p><b>Pin Connector</b></p>	 <p><b>Socket Connector</b></p>
 <p><b>Pin Insert Engaging Face 9-42</b></p>	 <p><b>Pin Connector</b></p>	 <p><b>Socket Connector</b></p>

Dimensions in Inches (millimeters) are subject to change without notice.

# Series 811 Mighty Mouse High Density (HD) Harsh Environment Cordsets

811-007



Mighty Mouse  
High Density



**Harsh Environment Cordsets** Overmolded Series 811 cordsets withstand abrasion and chemical exposure. Cable construction features silver coated stranded conductors with TFE insulation, tinned copper braid shield and extruded black polyurethane jacket. Choose single-ended pigtails or double-ended "back-to-back" cables. Semi-rigid polyamide overmold provides strain relief and environmental sealing.

- **Tough polyurethane jacket, low-smoke, zero halogen**
- **Water-resistant to 1 meter**
- **100% electrically tested**
- **Shielded with 90% minimum tinned copper braid**
- **Straight or right angle**
- **Easy to order, quick delivery**

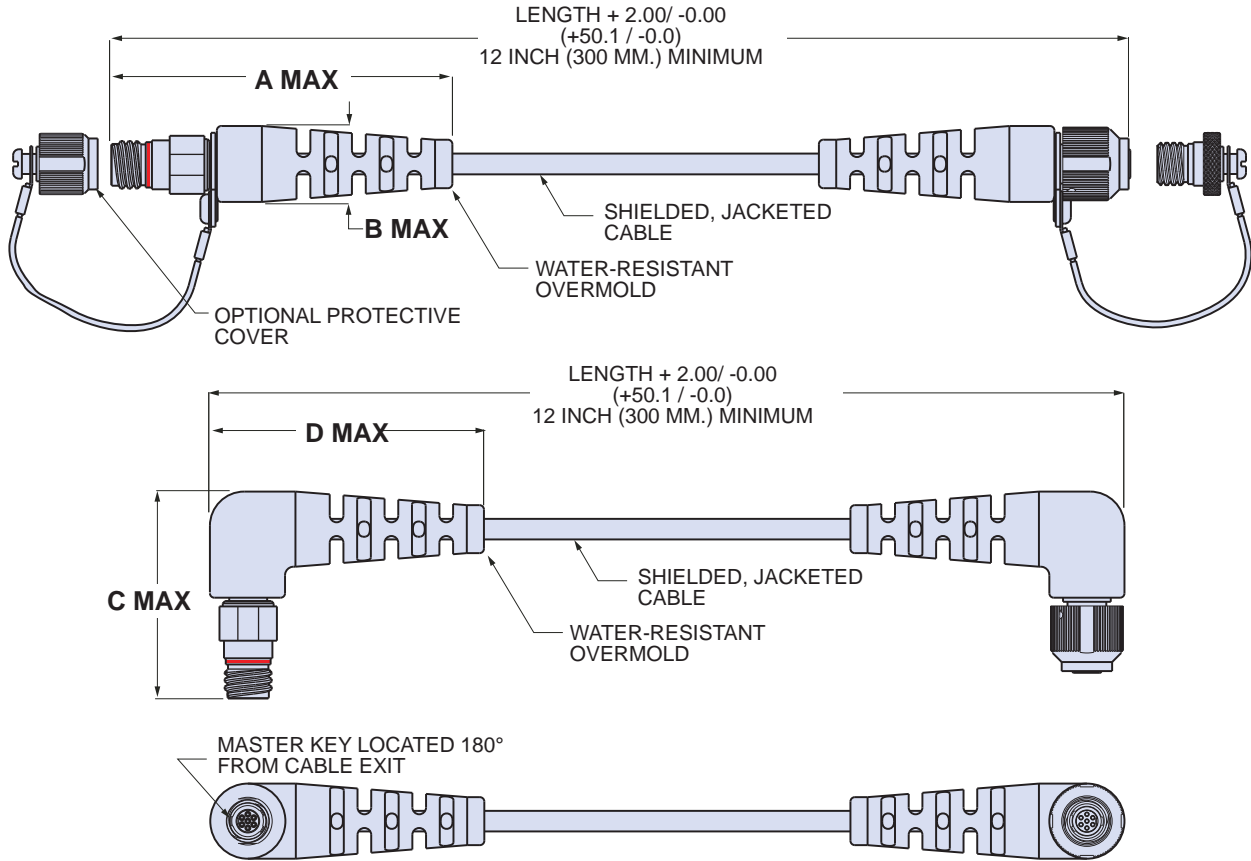
How To Order	
<b>Sample Part Number</b>	811-007 -A S C S 6 MT 5-7 P A -60
<b>Series</b>	811-007 = Overmolded Cordset
<b>End "A" Connector</b>	-A = Plug with Female Socket Contacts -B = Plug with Male Pin Contacts -C = Receptacle with Male Pin Contacts -D = Receptacle with Female Socket Contacts
<b>End "A" Configuration</b>	S = Straight R = Right Angle
<b>End "B" Connector</b>	A = Plug with Female Socket Contacts B = Plug with Male Pin Contacts C = Receptacle with Male Pin Contacts D = Receptacle with Female Socket Contacts N = No Connector (Single-Ended Pigtail)
<b>End "B" Configuration</b>	S = Straight R = Right Angle (Omit For Single-Ended Pigtail)
<b>Wire Size</b>	6 = #26 Awg
<b>Shell Finish</b>	ME = Aluminum/Electroless Nickel ZNU = Aluminum/Zinc-Nickel with Black Chromate MT = Aluminum/Nickel-PTFE Z1 = Stainless Steel/Passivated ZR = Aluminum/Black Zinc-Nickel
<b>Layout (Shell Size-Cont.)</b>	5-7, 6-12, 7-22, 8-30, 9-42
<b>Protective Cover</b>	P = Metal Protective Covers Included N = No Protective Covers
<b>Key Postion</b>	A = Normal Alternate Key Positions: B, C, D, E, F
<b>Length in Inches</b>	Overall Length In Inches (12 Inch Minimum)

Dimensions in Inches (millimeters) are subject to change without notice.



# Series 811 Mighty Mouse High Density (HD) Harsh Environment Cordsets

811-007



Shell Size	Dimensions							
	A Max.		B Max.		C Max.		D Max.	
	In.	mm.	In.	mm.	In.	mm.	In.	mm.
5	2.50	63.5	0.60	15.3	2.20	55.9	1.50	38.1
6	2.50	63.5	0.60	15.3	2.20	55.9	1.50	38.1
7	2.50	63.5	0.70	17.8	2.40	61.0	1.50	38.1
8	2.60	66.0	0.75	19.1	2.50	63.5	1.60	40.7
9	2.90	73.7	0.85	21.6	2.70	68.6	1.90	48.3

## NOTES

### Material and Finishes

- Cable Jacket Material: Thermoplastic Polyurethane, Black, Low-Smoke, Zero-Halogen
- Cable Shield: Tin-Coated Copper Braid, 90% Minimum Coverage
- Conductors: Silver Coated Stranded Wire, TFE Insulated, Per M22759/11
- Band-Master™ ATS Shield Termination Band: Stainless Steel
- Current Rating: 3 A.
- Test Voltage (Dielectric Withstanding Voltage): 600 VAC Sea Level
- Insulation Resistance: 200 megohms minimum
- Operating Temperature: -30° C. to +105° C.
- Solvent Resistance, Polyamide Overmold: Excellent Resistance to Most Solvents, Fuels, and Oils; Poor Resistance to Strong Acids and Bipolar Solvents (Alcohol)
- Shielding Effectiveness: 50 dB minimum from 100MHz to 1000MHz.

Dimensions in Inches (millimeters) are subject to change without notice.

SERIES 80  
AND STINGER  
CONTACTS

# MIGHTY MOUSE

**MIGHTY  
MOUSE**

Stinger equipped Mighty Mouse connectors offer HD performance in a front release crimp contact format



**M**ighty Mouse 841, 844, and 845 Stinger™ equipped connectors provide a light weight, high density solution on .050 centers. Unique HD front release design allows for in-house cable termination or field repairs by technicians. These contacts are available for Mighty Mouse series 801, 804 and 805 connectors.

**Features Include:**

- Integrated retention clip and o-ring sealing
- Contacts meet all applicable SAE AS39029 requirements
- Contacts accommodate wire range of 30-24 AWG (.042 max diameter)
- Low mating force, 1/3 insertion force of typical fixed Micro-D TwistPin
- Minimum of 2 guide pins to prevent damage to contact pin

**G**lenair®

Glenair, Inc.  
1211 Air Way  
Glendale, CA  
91201-2497  
818-247-6000  
sales@glenair.com  
www.glenair.com

# Series 80 Mighty Mouse Connectors with High-Density Front Release Stinger™ Contacts

## Table of Contents and Introduction



### PRODUCT SELECTION GUIDE



#### Series 841 Stinger™ Equipped Plug and Receptacle

Connectors are supplied with size #28 AWG front release crimp Stinger™ contacts on .050 centers. Plugs feature double-start threads and integral banding platform or accessory thread for attachment of backshells or strain reliefs.

Page M-4



#### Series 844 Push-Pull Stinger™ Equipped Plug and Receptacle

Connectors are supplied with size #28 AWG front release crimp Stinger™ contacts on .050 centers. Connectors feature push-pull style mating and integral banding platform or accessory thread for attachment of backshells or strain reliefs.

Page M-10



#### Series 845 Stinger™ Equipped Plug and Receptacle

Connectors are supplied with size #28 AWG front release crimp Stinger™ contacts on .050 centers. Plugs feature triple-start threads and integral banding platform or accessory thread for attachment of backshells or strain reliefs.

Page M-16



#### Series 80 Stinger™ Tools

Contact removal and crimp tools for series 84 contacts

Page M-23

Dimensions in Inches (millimeters) are subject to change without notice.





## Series 841, 844 and 845 Mighty Mouse Stinger™ Equipped Connectors

### General Information



- Front-release crimp contact solution
- High-density .050" centers
- Integrated retention clip and O-ring sealing
- Available for Series 801 (threaded stub-ACME), 804 (push-pull) and 805 (triple-start) connectors
- Stinger™ contacts meet all applicable requirements of SAE AS39029
- Low mating force, 1/3 insertion force of typical fixed Micro-D twist pin

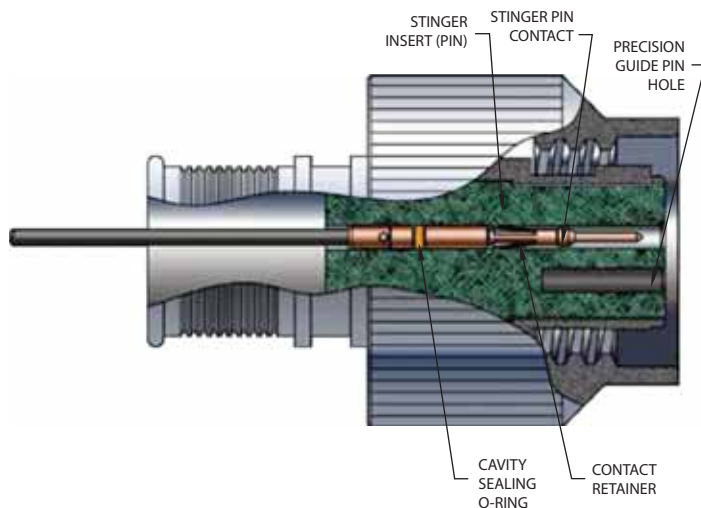
M

## High-Density Stinger™ Front Release Crimp Contact Equipped Series 841, 844 and 845 Connectors

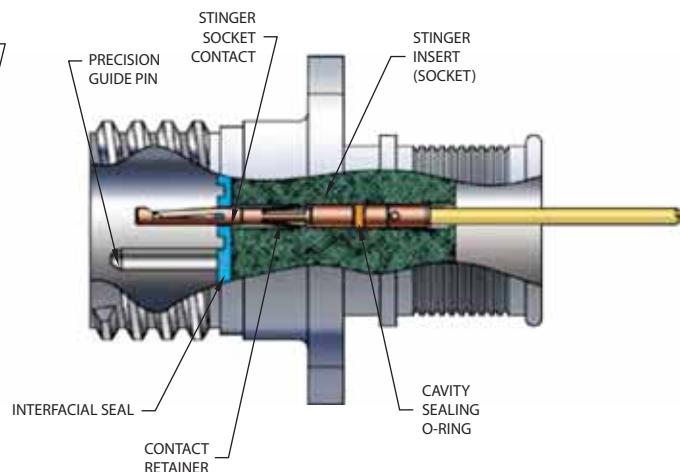
The Glenair size #28 Stinger™ contact system is now available for series 801, 804 and 805 connectors for applications that require high density (.050" center) insert arrangements with convenient front-release crimp-contact termination. Stinger™ contacts accommodate a wire range from 30-24 AWG and feature an integrated O-ring seal and retention clip. Unlike the Glenair Series 811 High-Density solution with its pot-in-place TwistPin contacts, Stinger™ crimp removable contacts allow users to terminate cables, populate connectors and build high-density wire harnesses in-house.

Part No.	Description	Part No.	Description
850-200	Size #28 Crimp Stinger™ Pin Contact	850-201	Size #28 Crimp Style Stinger™ Socket Contact

### Plug Cross-Section (841 shown)



### Receptacle Cross-Section (841 shown)

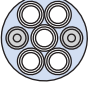
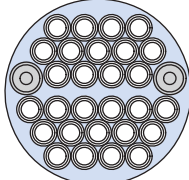
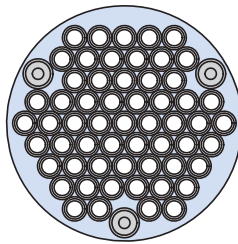
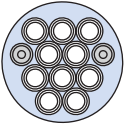
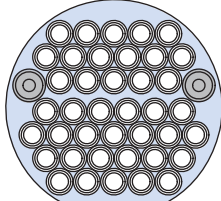
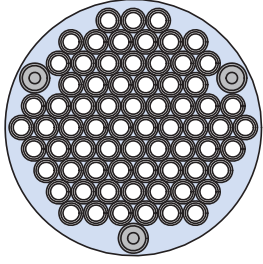
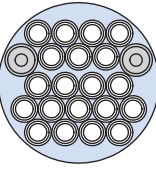
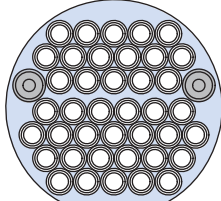
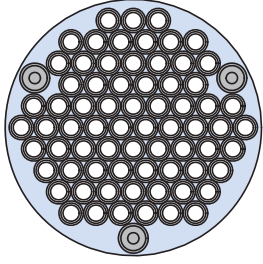


Dimensions in Inches (millimeters) are subject to change without notice.

# Series 841, 844 and 845 Mighty Mouse Stinger™ Equipped Connectors Insert Arrangements



Series 844 Specifications			
Insulation Resistance	5,000 Megohm Min.	Durability	2000 cycles
Dielectric Withstanding Voltage	500 VAC at sea level	Contact Retention	2 lbs. axial force
Low Level Contact Resistance	50 milliohms Max per AS39029	Contact Engagement Force	3.6 ounces Max
Contact Resistance	54 millivolts Max per AS39029	Contact Separation Force	0.4 ounces Min
Current Carrying Capacity	1.5 Amps	Please consult factory for higher current carrying capacity	

Insert Arrangements						
 <p>(2x Guide Pins)</p>	Series 841	5-5: 5x #28 Contacts	 <p>(2x Guide Pins)</p>	 <p>(3x Guide Pins)</p>		
	Series 844	5-5: 5x #28 Contacts			Series 841	10-58: 58x #28 Contacts
	Series 845	N/A			Series 844	10-58: 58x #28 Contacts
 <p>(2x Guide Pins)</p>	Series 841	6-10: 10x #28 Contacts	 <p>(2x Guide Pins)</p>	 <p>(3x Guide Pins)</p>		
	Series 844	6-10: 10x #28 Contacts			Series 841	8-28: 28x #28 Contacts
	Series 845	8-10: 10x #28 Contacts			Series 844	8-28: 28x #28 Contacts
 <p>(2x Guide Pins)</p>	Series 841	7-20: 20x #28 Contacts	 <p>(2x Guide Pins)</p>	 <p>(3x Guide Pins)</p>		
	Series 844	7-20: 20x #28 Contacts			Series 841	9-40: 40x #28 Contacts
	Series 845	9-20: 20x #28 Contacts			Series 844	9-40: 40x #28 Contacts
	Series 841	9-20: 20x #28 Contacts	Series 841	11-71: 71x #28 Contacts		
	Series 844	9-20: 20x #28 Contacts	Series 844	11-71: 71x #28 Contacts		
	Series 845	9-20: 20x #28 Contacts	Series 845	13-71: 71x #28 Contacts		

Dimensions in Inches (millimeters) are subject to change without notice.



# Series 841 Stinger™ Mighty Mouse Double-Start ACME Thread Plug

## 841-001 and 841-002 Ordering Information



**Series 841 Mighty Mouse Plug with Stinger™ Contacts** these durable, low insertion force front release size #28 contacts feature integrated retention clips and O-ring sealing for optimized performance. All 841 series shells feature a double-start modified stub ACME mating thread for improved protection against cross-mating and thread damage. Connector shells are machined aluminum or stainless steel. Available in shell sizes 5 through 11 in 7 contact arrangements, all arrangements include a minimum of two guide pins.

M

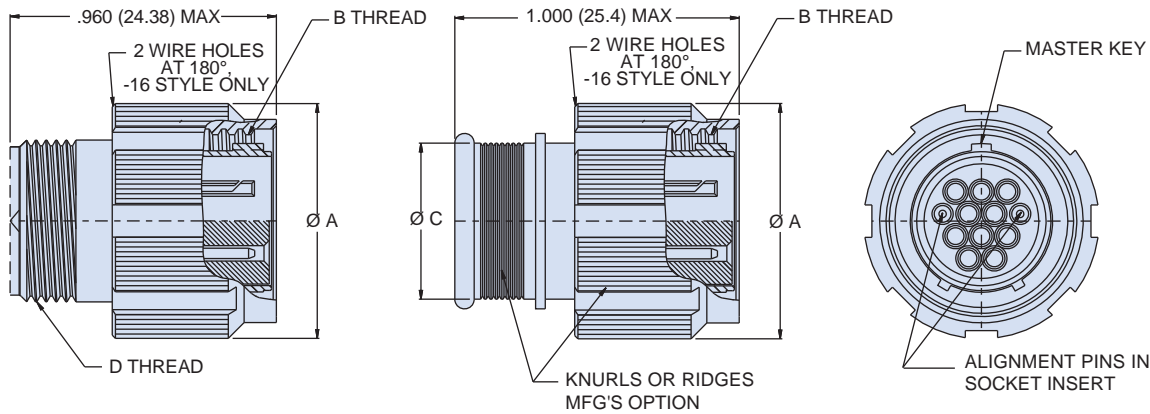
How To Order						
<b>Sample Part Number</b>	<b>841-001</b>	<b>-16</b>	<b>M</b>	<b>6-10</b>	<b>P</b>	<b>A</b>
<b>Series (See Table I)</b>	<b>841-001</b> = Plug with Integral Banding Porch <b>841-002</b> = Plug with Accessory Thread					
<b>Shell Style</b>	<b>-16</b> = Plug with Anti-Decoupling Spring <b>-26</b> = Self-Locking Plug with Ratchet Mechanism					
<b>Shell Material and Finish</b>	<b>M</b> = Aluminum/Electroless Nickel RoHS Compliant <b>MT</b> = Aluminum/ Nickel-PTFE RoHS Compliant <b>NF</b> = Aluminum/Cadmium with Olive Drab Chromate <b>ZNU</b> = Aluminum/Zinc-Nickel with Black Chromate <b>Z1</b> = Stainless Steel/Passivated RoHS Compliant					
<b>Shell Size - Insert Arrangement</b>	<b>5-5, 6-10, 7-20, 8-28, 9-40, 10-58, 11-71</b>					
<b>Contact Type</b>	<b>P</b> = Pin with O-ring <b>S</b> = Socket with O-ring					
<b>Shell Key Positions (See Table II)</b>	<b>A</b> = Normal <b>B</b> = Pos. B <b>C</b> = Pos. C <b>D</b> = Pos. D <b>E</b> = Pos. F <b>F</b> = Pos. F					

Table I: Series	
<b>841-001</b> Banding Platform	<b>841-002</b> Rear Accessory Thread

Dimensions in Inches (millimeters) are subject to change without notice.

# Series 841 Stinger™ Mighty Mouse Double-Start ACME Thread Plug

## 841-001 and 841-002 Dimensions



**Accessory Thread**  
841-002-01

**Integral Band Platform**  
841-001-01

FACE VIEW OF PLUG  
AS VIEWED FROM ENGAGING END.  
6-10 ARRANGEMENT SHOWN

M

Dimensions								
Shell Size	Ø A Shell Style 16		Ø A Shell Style 26		B Thread	Ø C		D Thread
	In.	mm.	In.	mm.		In.	mm.	
5	0.54	13.72	0.65	16.51	.3125-.05P-.1L-DS-2B	.245	6.22	.2500-32 UNEF-2A
6	0.60	15.24	0.69	17.53	.3750-.05P-.1L-DS-2B	.290	7.37	.3125-32 UNEF-2A
7	0.69	17.53	0.79	20.07	.4375-.05P-.1L-DS-2B	.390	9.91	.4375-28 UNEF-2A
8	0.75	19.05	0.83	21.08	.5000-.05P-.1L-DS-2B	.445	11.30	.5000-28 UNEF-2A
9	0.81	20.57	0.92	23.37	.5625-.05P-.1L-DS-2B	.500	12.70	.5625-24 UNEF-2A
10	0.88	22.35	0.98	24.89	.6250-.05P-.1L-DS-2B	.560	14.22	.6250-24 UNEF-2A
11	0.92	23.37	1.02	25.91	.6875-.05P-.1L-DS-2B	.605	15.37	.6875-24 UNEF-2A

Table I: Key Positions		
	A°	B°
<b>A</b>	150°	210°
<b>B</b>	75°	210°
<b>C</b>	95°	230°
<b>D</b>	140°	275°
<b>E</b>	75°	275°
<b>F</b>	95°	210°

Dimensions in Inches (millimeters) are subject to change without notice.



# Series 841 Stinger™ Mighty Mouse Double-Start ACME Thread Receptacle

## 841-003 and 841-004 Ordering Information



**In-Line**

Shell Style 01

**Rear Panel Jam Nut Mount (Shown)**

Shell Style 07

**Square Flange Mount**

Shell Style 02/12

**How To Order**

<b>Sample Part Number</b>	<b>841-003</b>	<b>-07</b>	<b>ZNU</b>	<b>6-10</b>	<b>P</b>	<b>A</b>
<b>Series (See Table I)</b>	<b>841-003</b> = Receptacle with Integrated Banding Porch <b>841-004</b> = Receptacle with Accessory Thread					
<b>Shell Style (See Table II)</b>	<b>-01</b> = In-Line Receptacle for Free-Hanging Cables <b>-02</b> = Thru Hole Square Flange Receptacle for Front or Rear Panel Mounting <b>-12</b> = Square Flange Receptacle for Rear Panel Mounting with "Non-Locking" Clinch Nuts <b>-22</b> = Square Flange Receptacle for Rear Panel Mounting with "Locking" Clinch Nuts <b>-07</b> = Jam Nut Receptacle for Rear Panel Mounting					
<b>Material and Finish</b>	<b>M</b> = Aluminum/Electroless Nickel RoHS Compliant <b>MT</b> = Aluminum/Nickel-PTFE RoHS Compliant <b>NF</b> = Aluminum/Cadmium with Olive Drab Chromate <b>ZNU</b> = Aluminum/Zinc-Nickel with Black Chromate <b>Z1</b> = Stainless Steel/Passivated RoHS Compliant					
<b>Shell Size - Insert Arrangement</b>	<b>5-5, 6-10, 7-20, 8-28, 9-40, 10-58, 11-71</b>					
<b>Contact Type</b>	<b>P</b> = Pin with O-ring <b>S</b> = Socket with O-ring					
<b>Shell Key Positions (See Table I)</b>	<b>A</b> = Normal <b>B</b> = Pos. B <b>C</b> = Pos. C <b>D</b> = Pos. D <b>E</b> = Pos. F <b>F</b> = Pos. F					

**Table I: Series**

<b>841-003</b> Banding Platform	<b>841-004</b> Rear Accessory Thread

**Table II: Shell Style**

<b>Style -01</b> In-line	<b>Style -02/-12/-22</b> Square Flange	<b>Style -07</b> Jam Nut

**Table III: Key Positions**

	A°	B°	
<b>A</b>	150°	210°	
<b>B</b>	75°	210°	
<b>C</b>	95°	230°	
<b>D</b>	140°	275°	
<b>F</b>	95°	210°	

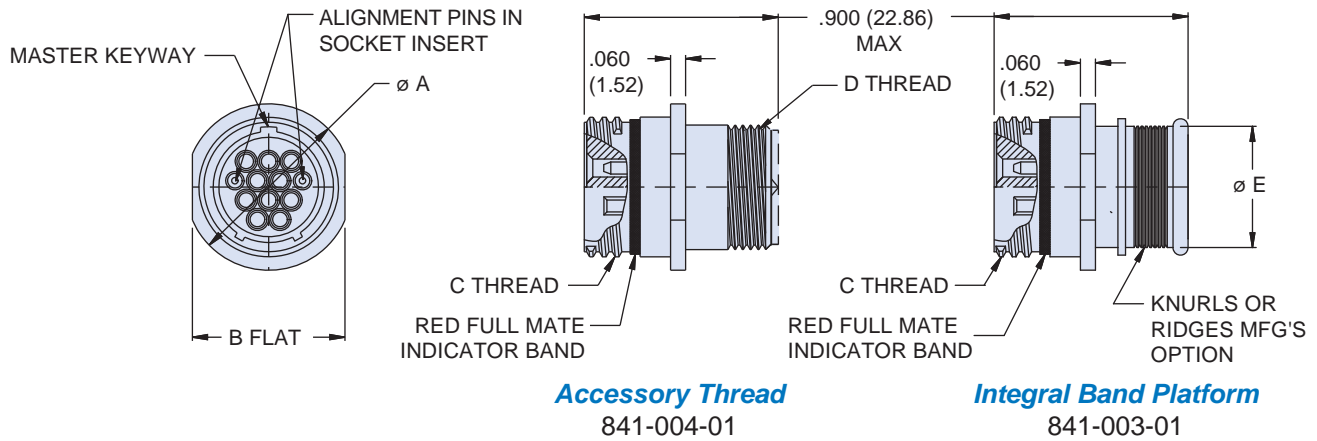
Dimensions in Inches (millimeters) are subject to change without notice.

# Series 841 Stinger™ Mighty Mouse Double-Start ACME Thread Receptacle

841-003 and 841-004 - Shell Style 01 and 02 Dimensions

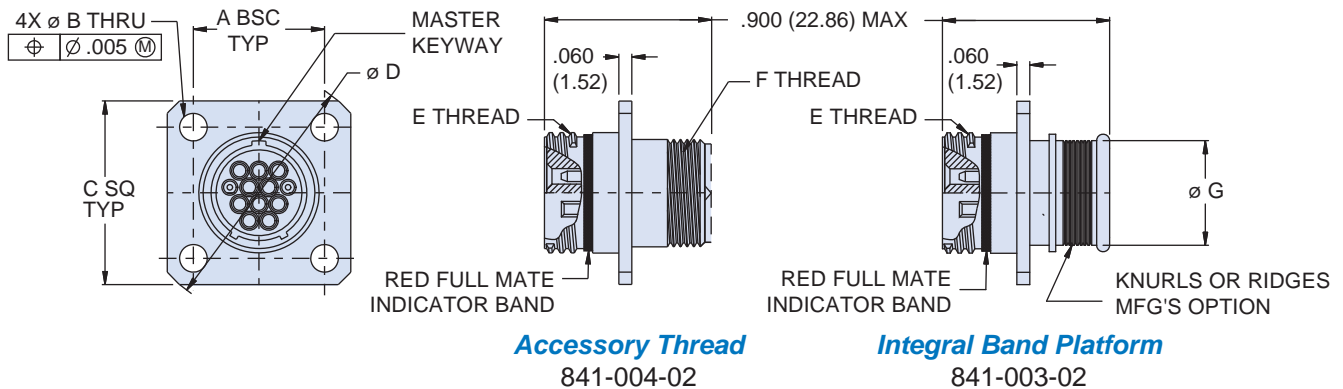


## Inline receptacle - shell style 01



Shell Size	Ø A		B Flat		C Thread		D Thread		Ø E	
	in	mm	in	mm					in	mm
	5	0.355	9.02	0.325	8.26	.3125-.05P-.1L-DS-2A	.2500-32 UNEF-2A	0.245	6.22	
6	0.415	10.54	0.385	9.78	.3750-.05P-.1L-DS-2A	.3125-23 UNEF-2A	0.290	7.37		
7	0.480	12.19	0.445	11.30	.4375-.05P-.1L-DS-2A	.4375-28 UNEF-2A	0.390	9.91		
8	0.540	13.72	0.510	12.95	.5000-.05P-.1L-DS-2A	.5000-28 UNEF-2A	0.445	11.30		
9	0.605	15.37	0.575	14.61	.5625-.05P-.1L-DS-2A	.5625-24 UNEF-2A	0.500	12.70		
10	0.665	16.89	0.635	16.13	.6250-.05P-.1L-DS-2A	.6250-24 UNEF-2A	0.560	14.22		
11	0.730	18.54	0.700	17.78	.6875-.05P-.1L-DS-2A	.6875-24 UNEF-2A	0.605	15.37		

## Square flange, front or rear mount receptacle - shell style 02



Shell Size	A BSC		B Holes		C SQ		Ø D		E Thread		F Thread		Ø G	
	in	mm	in	mm	in	mm	in	mm					in	mm
	5	0.363	9.22	.096	2.44	0.530	13.46	0.680	17.27	.3125-.05P-.1L-DS-2A	.2500-32 UNEF-2A	0.245	6.22	
6	0.423	10.74	2.44		0.590	14.99	0.750	19.05	.3750-.05P-.1L-DS-2A	.3125-23 UNEF-2A	0.290	7.37		
7	0.483	12.27	.091		2.31	0.650	16.51	0.850	21.59	.4375-.05P-.1L-DS-2A	.4375-28 UNEF-2A	0.390	9.91	
8	0.545	13.84	.130	3.30	0.712	18.08	0.938	23.83	.5000-.05P-.1L-DS-2A	.5000-28 UNEF-2A	0.445	11.30		
9	0.607	15.42			0.850	21.59	1.125	28.58	.5625-.05P-.1L-DS-2A	.5625-24 UNEF-2A	0.500	12.70		
10	0.670	17.02			0.890	22.61	1.188	30.18	.6250-.05P-.1L-DS-2A	.6250-24 UNEF-2A	0.560	14.22		
11	0.715	18.16	.126	3.20	0.935	23.75	1.250	31.75	.6875-.05P-.1L-DS-2A	.6875-24 UNEF-2A	0.605	15.37		

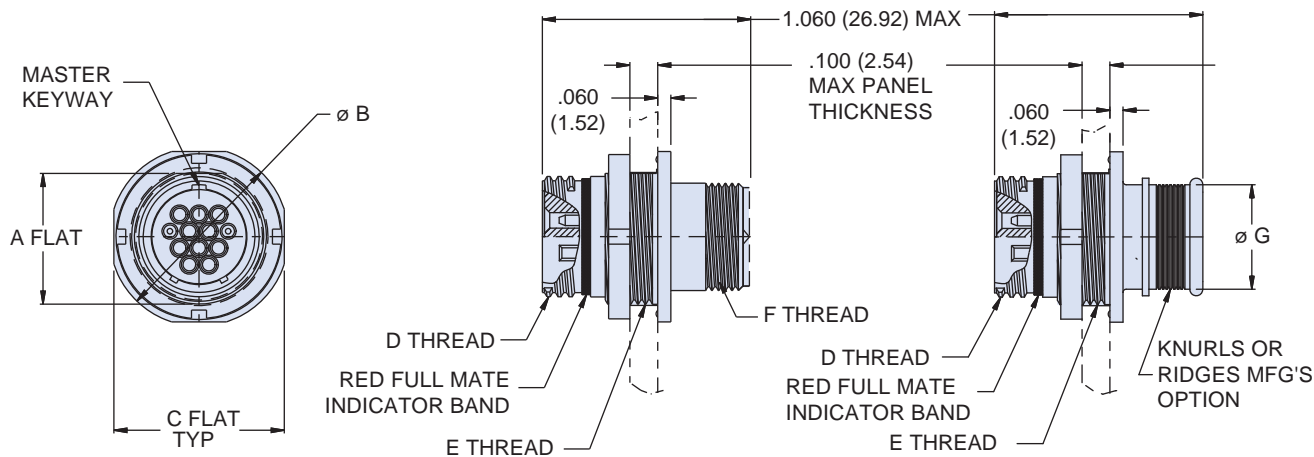
Dimensions in Inches (millimeters) are subject to change without notice.



# Series 841 Stinger™ Mighty Mouse Double-Start ACME Thread Receptacle

841-003 and 841-004 - Shell Style 07 Dimensions

## Jam nut, rear panel mount receptacle - shell style 07



**Accessory Thread**  
841-004-07

**Integral Band Platform**  
841-003-07

### Dimensions

Shell Size	A Flat		Ø B		C Flat		D Thread	E Thread	F Thread	Ø G	
	In	mm	In	mm	In	mm				In	mm
5	0.350	8.89	0.575	14.61	0.545	13.84	.3125-.05P-.1L-DS-2A	.3750-28 UN-2A	.2500-32 UNEF-2A	.245	6.22
6	0.410	10.41	0.635	16.13	0.595	15.11	.3750-.05P-.1L-DS-2A	.4375-28 UNEF-2A	.3125-32 UNEF-2A	.290	7.37
7	0.536	13.61	0.755	19.18	0.723	18.36	.4375-.05P-.1L-DS-2A	.5625-32 UN-2A	.4375-28 UNEF-2A	.390	9.91
8	0.536	13.61	0.755	19.18	0.723	18.36	.5000-.05P-.1L-DS-2A	.5625-32 UN-2A	.5000-28 UNEF-2A	.445	11.30
9	0.596	15.14	0.830	21.08	0.790	20.07	.5625-.05P-.1L-DS-2A	.6250-28 UN-2A	.5625-24 UNEF-2A	.500	12.70
10	0.658	16.71	0.890	22.61	0.855	21.72	.6250-.05P-.1L-DS-2A	.6875-28 UN-2A	.6250-24 UNEF-2A	.560	14.22
11	0.718	18.24	0.960	24.38	0.925	23.50	.6875-.05P-.1L-DS-2A	.7500-28 UN-2A	.6875-24 UNEF-2A	.605	15.37

### Panel Cutout Dimensions

N Flat		Ø P	
in	mm	in	mm
.358	9.09	.385	9.78
.354	8.99		
.418	10.62	.448	11.38
.414	10.52		
.544	13.82	.573	14.55
.540	13.72		
.544	13.82	.573	14.55
.540	13.72		
.604	15.34	.635	16.13
.600	15.24		
.668	16.97	.698	17.73
.664	16.87		
.728	18.49	.760	19.30
.724	18.39		

-07 JAM NUT  
PANEL CUTOUT

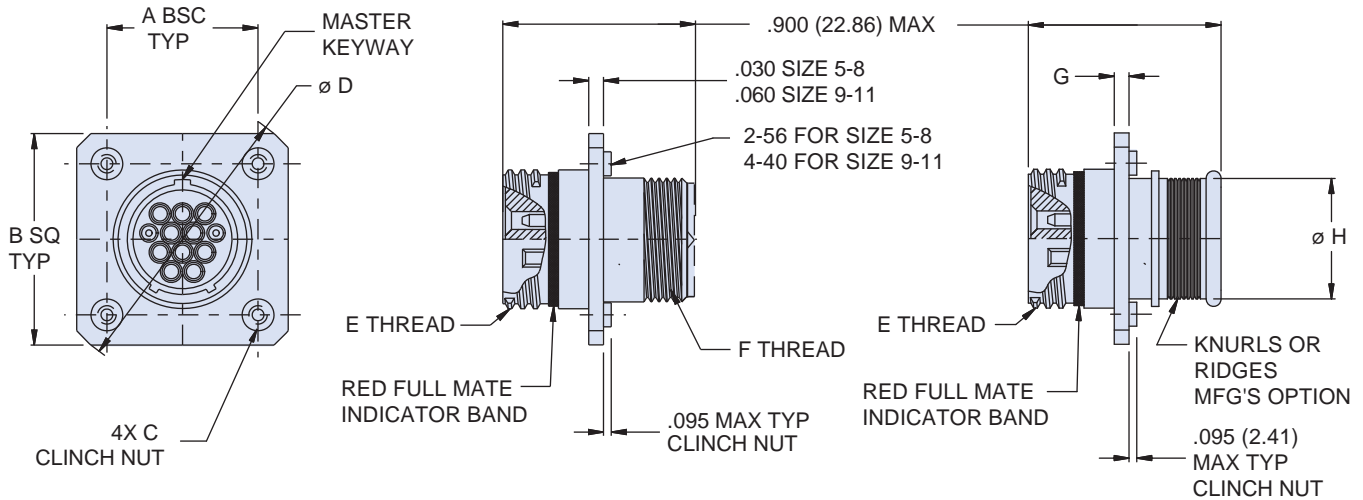
Dimensions in Inches (millimeters) are subject to change without notice.

# Series 841 Stinger™ Mighty Mouse Double-Start ACME Thread Receptacle

841-003 and 841-004 - Shell Style 12/22 Dimensions



## Square flange, rear panel mount receptacle - shell style 12/22

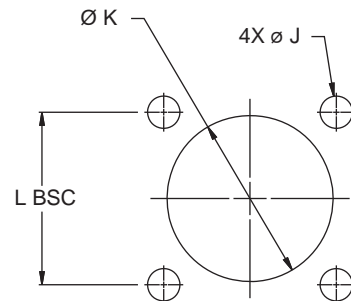


**Accessory Thread**  
841-004-12 and 841-004-22

**Integral Band Platform**  
841-003-12 and 841-003-22

Dimensions													
Shell Size	A BSC		B Sq		C Clinch	$\phi D$		E Thread	F Thread	G		$\phi H$	
	in	mm	in	mm		in	mm			in	mm	in	mm
5	0.363	9.22	0.623	15.82	2-56	.774	19.66	.3125-.05P-.1L-DS-2A	.2500-32 UNEF-2A	.030	.76	0.245	6.22
6	0.423	10.74	0.683	17.35		.860	21.84	.3750-.05P-.1L-DS-2A	.3125-23 UNEF-2A			0.290	7.37
7	0.483	12.27	0.743	18.87		.944	23.98	.4375-.05P-.1L-DS-2A	.4375-28 UNEF-2A			0.390	9.91
8	0.545	13.84	0.805	20.45		1.032	26.21	.5000-.05P-.1L-DS-2A	.5000-28 UNEF-2A			0.445	11.30
9	0.607	15.42	0.927	23.55		1.180	29.97	.5625-.05P-.1L-DS-2A	.5625-24 UNEF-2A			0.500	12.70
10	0.670	17.02	0.990	25.15	4-40	1.268	32.21	.6250-.05P-.1L-DS-2A	.6250-24 UNEF-2A	.060	1.52	0.560	14.22
11	0.715	18.16	1.035	26.29		1.331	33.81	.6875-.05P-.1L-DS-2A	.6875-24 UNEF-2A			0.605	15.37

Panel Cutout Dimensions						
Shell Size	$\phi J$		$\phi K$		L BSC	
	in	mm	in	mm	in	mm
5	.096 .091	2.44 2.31	.328	8.33	.363	9.22
6			.390	9.91	.423	10.74
7			.453	11.51	.483	12.27
8			.515	13.08	.545	13.84
9	.130 .126	3.30 3.20	.578	14.68	.607	15.42
10			.640	16.26	.670	17.02
11			.703	17.86	.715	18.16



Dimensions in Inches (millimeters) are subject to change without notice.





# Series 844 Stinger™ Mighty Mouse Push-Pull Plug

## 844-001 and 844-002 - Shell Style 06 Dimensions



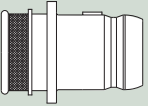
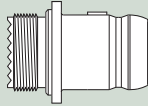
**Series 844 Mighty Mouse Plug with Stinger™ Contacts** these durable, low insertion force front release size #28 contacts feature integrated retention clips and O-ring sealing for optimized performance. Series 844 shells feature a push-pull interface ideal for breakaway connections. The QDC connector employs a stainless steel spring in the receptacle and a detent on the plug body and are well suited for use in headsets, radios, weapons and other applications, while providing excellent durability. The gold-plated spring provides low shell-to-shell resistance for excellent EMI shielding. Connector shells are machined aluminum or stainless steel. Available in shell sizes 5 through 11 in 7 contact arrangements, all arrangements include a minimum of two guide pins.

M

### How To Order

Sample Part Number	844-001	-06	M	6-10	P	A
Series (See Table I)	844-001 = Plug with Integrated Banding Porch 844-002 = Plug with Accessory Thread					
Shell Style	-06 = Plug with Anti-Decoupling Spring					
Shell Material and Finish	C = Black Anodize Finish M = Aluminum/Electroless Nickel RoHS Compliant NF = Aluminum/Olive Drab Cadmium over Electroless Nickel Finish ZN = AluminumZinc-Nickel/Olive Drab over Electroless Nickel Z1 = Stainless Steel/Passivated RoHS Compliant ZB = Olive Drab Chromate over Cadmium ZC = Stainless Steel/Zinc Cobalt Alloy/Black Chromate					
Shell Size - Insert Arrangement	5-5, 6-10, 7-20, 8-28, 9-40, 10-58, 11-71					
Contact Type	P = Pin with O-ring      S = Socket with O-ring					
Shell Key Positions (See Table II)	A = Normal   B = Pos. B   C = Pos. C   D = Pos. D   E = Pos. F   F = Pos. F Omit character for single key (non-polarized)					

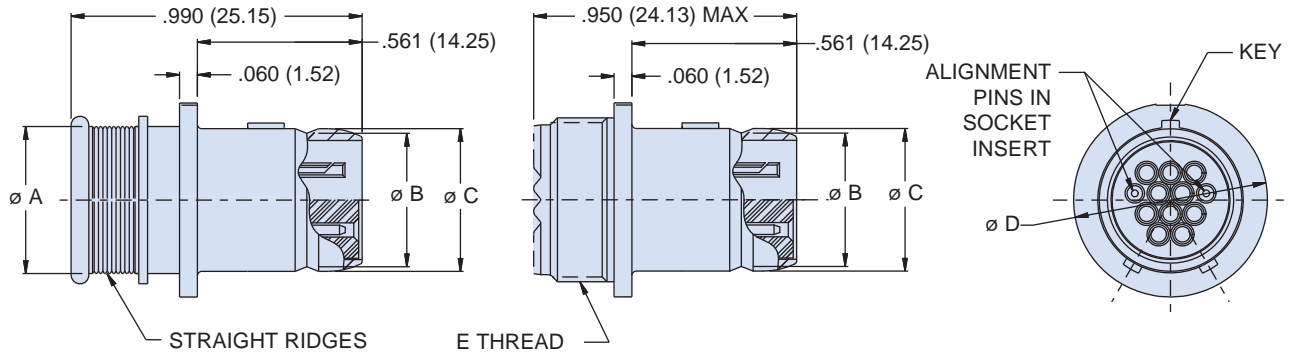
### Table I: Series

	
<b>844-001</b> Plug with Banding Platform	<b>844-002</b> Plug with Accessory Thread

Dimensions in Inches (millimeters) are subject to change without notice.

# Series 844 Stinger™ Mighty Mouse Push-Pull Plug

844-001 and 844-002 - Shell Style 06 Dimensions



**Integral Band Platform**  
841-001-06

**Accessory Thread**  
841-002-06

**M**

Dimensions									
Shell Size	Ø A		Ø B		Ø C		Ø D Max		E Thread
	In	mm	In	mm	In	mm	In	mm	
5	0.246	6.25	0.219	5.56	0.250	6.35	0.427	10.85	.2500-32 UNEF-2A
6	0.286	7.26	0.282	7.16	0.313	7.95	0.495	12.57	.3125-32 UNEF-2A
7	0.390	9.91	0.351	8.92	0.383	9.73	0.575	14.61	.4375-28 UNEF-2A
8	0.442	11.23	0.398	10.11	0.429	10.90	0.614	15.60	.5000-28 UNEF-2A
9	0.500	12.70	0.454	11.53	0.486	12.34	0.670	17.02	.5625-24 UNEF-2A
10	0.564	14.33	0.529	13.44	0.563	14.30	0.745	18.92	.6250-24 UNEF-2A
11	0.608	15.44	0.587	14.91	0.618	15.70	0.795	20.19	.6875-24 UNEF-2A

Table II: Key Positions		
	A°	B°
<b>A</b>	150°	210°
<b>B</b>	75°	210°
<b>C</b>	95°	230°
<b>D</b>	140°	275°
<b>E</b>	75°	275°
<b>F</b>	95°	210°

Dimensions in Inches (millimeters) are subject to change without notice.



# Series 844 Stinger™ Mighty Mouse Push-Pull Receptacle

## 844-003 and 844-004 - Ordering Information



**In-Line**  
Shell Style 01

**Front Panel Mount Jam Nut (Shown)**  
Shell Style 00

**Rear Panel Mount Jam Nut Mount**  
Shell Style 07

M

### How To Order

Sample Part Number	844-003	-00	ZNU	6-10	P	A
<b>Series</b>	<b>844-003</b> = Receptacle with Integrated Banding Porch <b>844-004</b> = Receptacle with Accessory Thread					
<b>Shell Style</b>	<b>-00</b> = Front Panel Mount Jam Nut (See Table V) <b>-01</b> = In-Line <b>-07</b> = Rear Panel Mount Jam Nut (See Table IV)					
<b>Material and Finish</b>	<b>C</b> = Black Anodize Finish <b>M</b> = Aluminum/Electroless Nickel RoHS Compliant <b>NF</b> = Aluminum/Olive Drab Cadmium over Electroless Nickel Finish <b>ZN</b> = Aluminum Zinc-Nickel/Olive Drab over Electroless Nickel <b>Z1</b> = Stainless Steel/Passivated RoHS Compliant <b>ZB</b> = Olive Drab Chromate over Cadmium <b>ZC</b> = Stainless Steel/Zinc Cobalt Alloy/Black Chromate					
<b>Shell Size - Insert Arrangement</b>	<b>5-5, 6-10, 7-20, 8-28, 9-40, 10-58, 11-71</b>					
<b>Contact Type</b>	<b>P</b> = Pin with O-ring		<b>S</b> = Socket with O-ring			
<b>Shell Key Positions (See Table I)</b>	<b>A</b> = Normal <b>B</b> = Pos. B <b>C</b> = Pos. C <b>D</b> = Pos. D <b>E</b> = Pos. F <b>F</b> = Pos. F					

#### Table I: Series

<b>844-003</b> Banding Platform	<b>844-004</b> Rear Accessory Thread

#### Table II: Shell Style

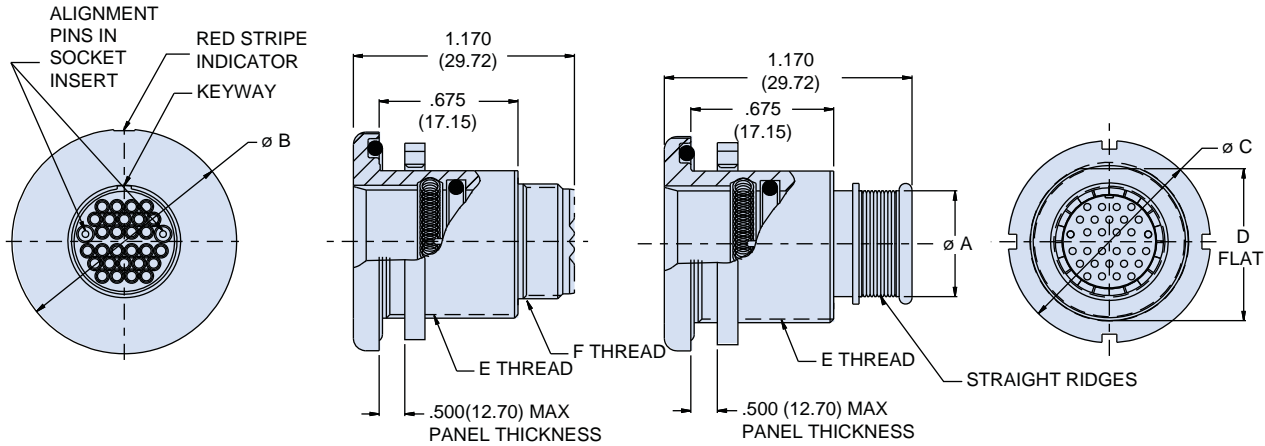
<b>-00</b> Jam Nut for Front Panel Mounting	<b>-01</b> In-Line for Free-Hanging Cable	<b>-07</b> Jam Nut for Rear Panel Mounting

Dimensions in Inches (millimeters) are subject to change without notice.

Series 844 Stinger™ Mighty Mouse  
 Push-Pull Receptacle  
 844-003 and 844-004 - Shell Style 00 Dimensions



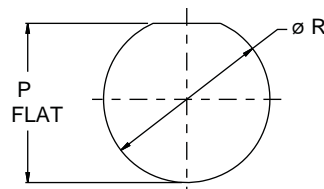
Front panel mount receptacle - shell style 00



Accessory Thread  
 841-004-00

Integral Band Platform  
 841-003-00

Dimensions														
Shell Size	$\varnothing A$		$\varnothing B$		$\varnothing C$		D Flat		E Thread	T Thread	P Flat		$\varnothing R$	
	in	mm	in	mm	in	mm	in	mm			in	mm	in	mm
5	.246	6.25	0.830	21.08	0.625	15.88	0.470	11.94	.5000-32 UN-2A	.5000-32 UNEF-2A	.482 .478	12.24 12.14	0.510	12.95
6	.286	7.26	0.885	22.48	0.688	17.48	0.530	13.46	.5625-28 UN-2A	.3125-32 UNEF-2A	.542 .538	13.77 13.67	0.575	14.61
7	.390	9.91	0.995	25.27	0.812	20.62	0.663	16.84	.6875-28 UN-2A	.4375-28 UNEF-2A	.676 .671	17.17 17.04	0.698	17.73
8	.442	11.23	0.995	25.27	0.812	20.62	0.663	16.84	.6875-28 UN-2A	.5000-28 UNEF-2A	.676 .671	17.17 17.04	0.698	17.73
9	.500	12.70	1.075	27.31	0.875	22.23	0.720	18.29	.7500-28 UN-2A	.5625-24 UNEF-2A	.732 .728	18.59 18.49	0.760	19.30
10	.564	14.33	1.140	28.96	0.938	23.83	0.788	20.02	.8125-28 UN-2A	.6250-24 UNEF-2A	.801 .796	20.35 20.22	0.822	20.88
11	.608	15.44	1.190	30.23	1.000	25.40	0.843	21.41	.8750-28 UN-2A	.6875-24 UNEF-2A	.855 .851	21.72 21.62	0.885	22.48



RECOMMENDED PANEL CUTOUT FOR  
 FRONT MOUNT JAM NUT RECEPTACLE

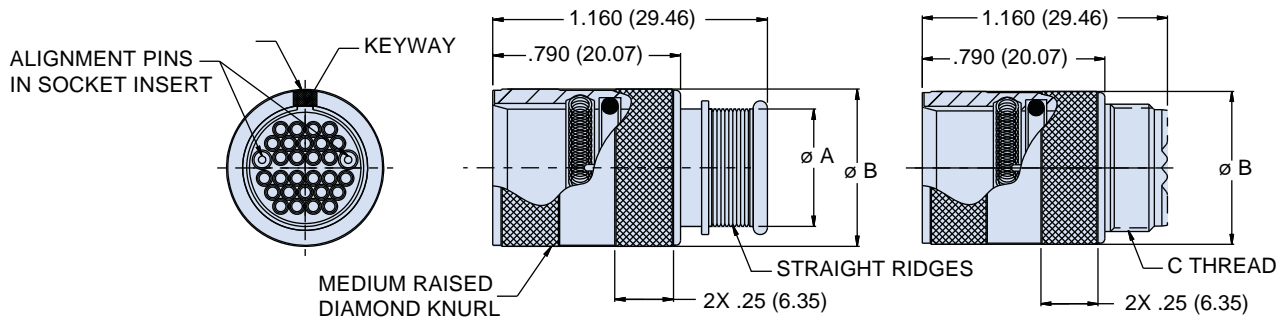
Dimensions in Inches (millimeters) are subject to change without notice.



# Series 844 Stinger™ Mighty Mouse Push-Pull Receptacle

844-003 and 844-004 - Shell Style 01 Dimensions

## Inline cable receptacle - shell style 01



**Integral Band Platform**  
844-003-01

**Accessory Thread**  
841-004-01

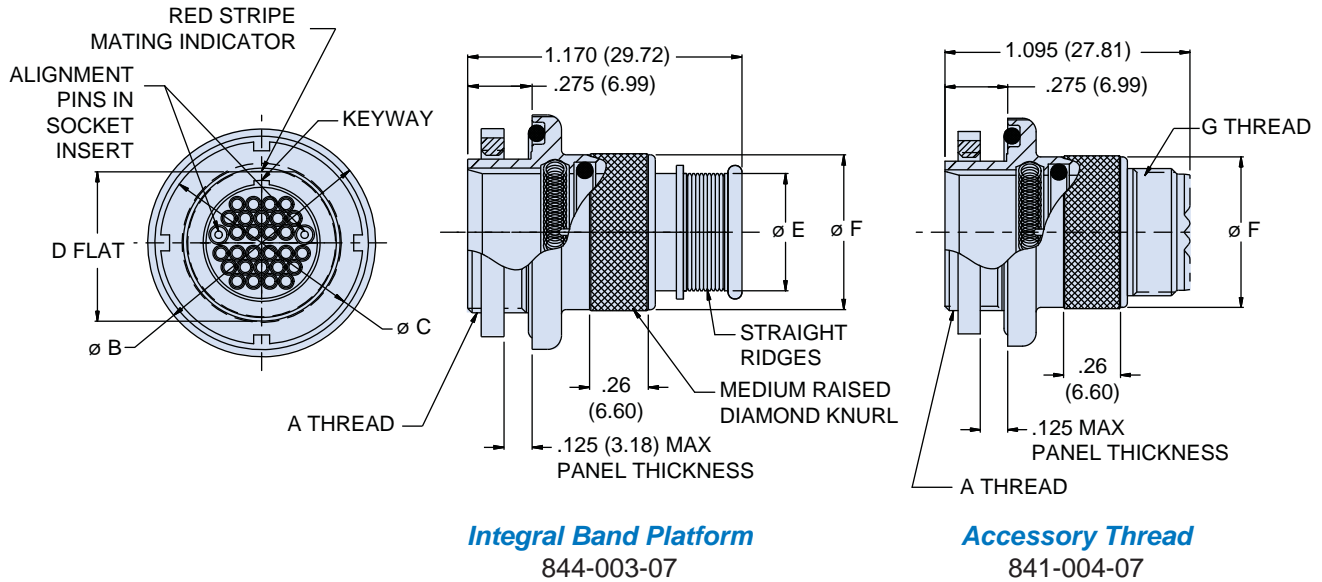
Shell Size	Dimensions				
	Ø A		Ø B		C Thread
	in	mm	in	mm	
5	.246	6.25	0.450	11.43	.5000-32 UNEF-2A
6	.286	7.26	0.480	12.19	.3125-32 UNEF-2A
7	.390	9.91	0.580	14.73	.4375-28 UNEF-2A
8	.442	11.23	0.603	15.32	.5000-28 UNEF-2A
9	.500	12.70	0.695	17.65	.5625-24 UNEF-2A
10	.564	14.33	0.735	18.67	.6250-24 UNEF-2A
11	.608	15.44	0.810	20.57	.6875-24 UNEF-2A

Dimensions in Inches (millimeters) are subject to change without notice.

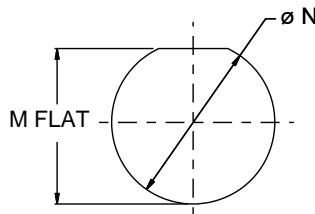
**Series 844 Stinger™ Mighty Mouse  
Push-Pull Receptacle**  
844-003 and 844-004 - Shell Style 07 Dimensions



**Rear panel mount receptacle - shell style 07**



Shell Size	A Thread	Ø B		Ø C		D-Flat		Ø E		Ø F		G Thread	M Flat		Ø N	
		in	mm	in	mm	in	mm	in	mm	in	mm		in	mm	in	mm
5	.4375-32 UN-2A	0.790	20.07	0.562	14.27	0.415	10.54	.246	6.25	0.450	11.43	.5000-32 UNEF-2A	.427 .423	10.85 10.74	0.448	11.38
6	.5000-32 UN-2A	0.830	21.08	0.625	15.88	0.467	11.86	.286	7.26	0.480	12.19	.3125-32 UNEF-2A	.479 .475	12.17 12.07	0.510	12.95
7	.6250-28 UN-2A	0.900	22.86	0.750	19.05	0.594	15.09	.390	9.91	0.580	14.73	.4375-28 UNEF-2A	.606 .602	15.39 15.29	0.635	16.13
8	.6250-28 UN-2A	0.955	24.26	0.750	19.05	0.594	15.09	.442	11.23	0.603	15.32	.5000-28 UNEF-2A	.606 .602	15.39 15.29	0.635	16.13
9	.6875-28 UN-2A	1.000	25.40	0.812	20.62	0.655	16.64	.500	12.70	0.695	17.65	.5625-24 UNEF-2A	.667 .663	16.94 16.84	0.695	17.65
10	.7500-28 UN-2A	1.085	27.56	0.875	22.23	0.721	18.31	.564	14.33	0.735	18.67	.6250-24 UNEF-2A	.734 .729	18.64 18.52	0.760	19.30
11	.8125-28 UN-2A	1.135	28.83	0.938	23.83	0.788	20.02	.608	15.44	0.810	20.57	.6875-24 UNEF-2A	.801 .796	20.35 20.22	0.822	20.88



RECOMMENDED PANEL CUTOUT FOR  
REAR MOUNT JAM NUT RECEPTACLE

Dimensions in Inches (millimeters) are subject to change without notice.

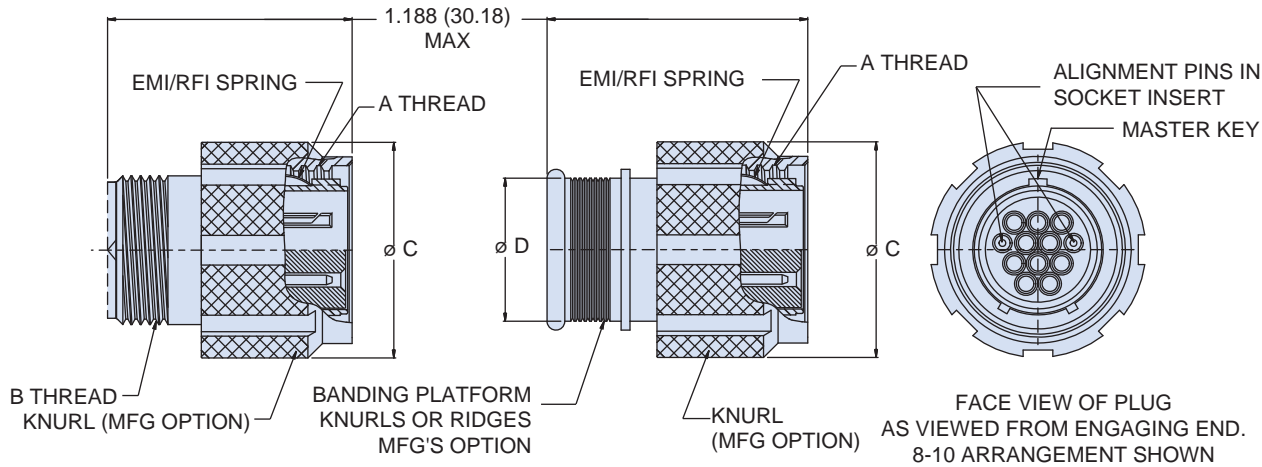




**Series 845 Stinger™ Mighty Mouse  
Triple-Start ACME Thread Plug  
845-001 and 845-002 - Shell Style 16 Dimensions**



**In-Line plug - shell style 16**



**Accessory Thread**  
845-002-16

**Integral Band Platform**  
845-001-16

Table I						
Shell Size	A Thread	B Thread	Ø C		Ø D	
			In	mm	In	mm
8	.5000-.1P-.3L-TS-2B	.3750-32 UNEF-2A	0.692	17.58	.316	8.03
9	.5625-.1P-.3L-TS-2B	.4375-28 UNEF-2A	0.789	20.04	.397	10.08
10	.6250-.1P-.3L-TS-2B	.5000-28 UNEF-2A	0.827	21.01	.472	11.99
11	.6875-.1P-.3L-TS-2B	.5625-24 UNEF-2A	0.918	23.32	.519	13.18
12	.7500-.1P-.3L-TS-2B	.6250-24 UNEF-2A	0.984	24.99	.585	14.86
13	.8125-.1P-.3L-TS-2B	.6875-24 UNEF-2A	1.047	26.59	.646	16.41

Dimensions in Inches (millimeters) are subject to change without notice.



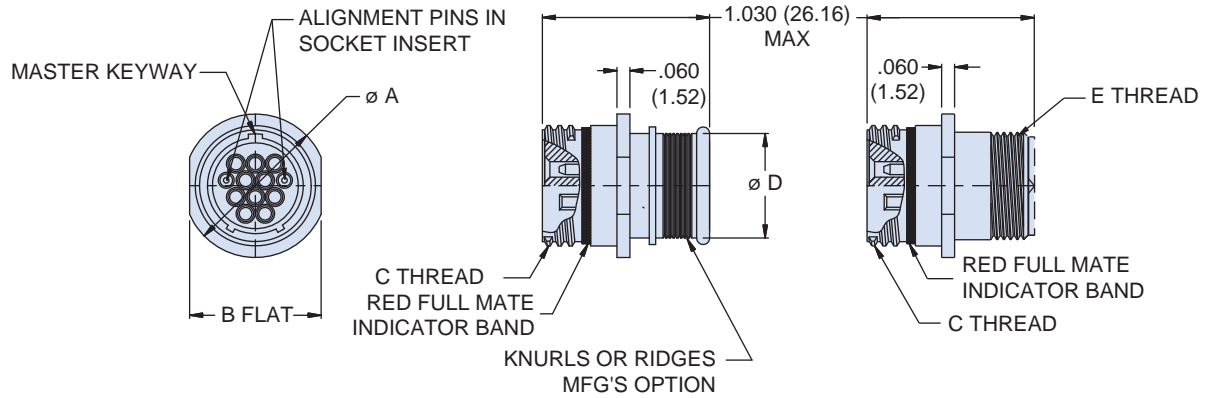




Series 845 Stinger™ Mighty Mouse  
Triple-Start ACME Thread Receptacle  
845-003 and 845-004 - Shell Style 01 Dimensions



**In-line receptacle - shell style 01**



**Integral Band Platform**  
845-003-01

**Accessory Thread**  
845-004-01



Dimensions								
Shell Size	$\phi A$		B Flat		C Thread	$\phi D$		E Thread
	In	mm	In	mm		In	mm	
8	0.540	13.72	0.510	12.95	.5000-1P-3L-TS-2A	.316	8.03	.3750-32 UNEF-2A
9	0.605	15.37	0.575	14.61	.5625-1P-3L-TS-2A	.397	10.08	.4375-28 UNEF-2A
10	0.668	16.97	0.638	16.21	.6250-1P-3L-TS-2A	.472	11.99	.5000-28 UNEF-2A
11	0.730	18.54	0.700	17.78	.6875-1P-3L-TS-2A	.519	13.18	.5625-24 UNEF-2A
12	0.793	20.14	0.763	19.38	.7500-1P-3L-TS-2A	.585	14.86	.6250-24 UNEF-2A
13	0.855	21.72	0.825	20.96	.8125-1P-3L-TS-2A	.646	16.41	.6875-24 UNEF-2A

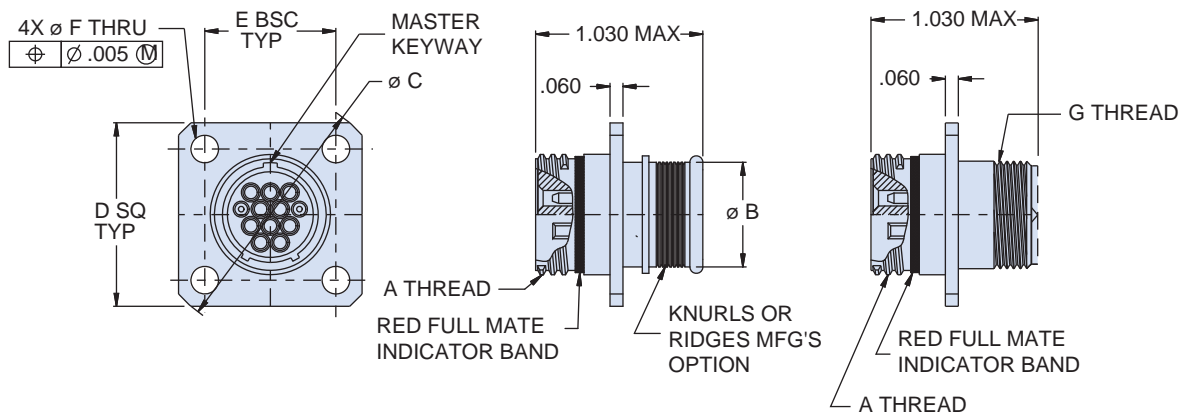
Dimensions in Inches (millimeters) are subject to change without notice.



# Series 845 Stinger™ Mighty Mouse Triple-Start ACME Thread Receptacle

845-003 and 845-004 - Shell Style 02 Dimensions

## Square flange receptacle for front or rear panel mounting - shell style 02

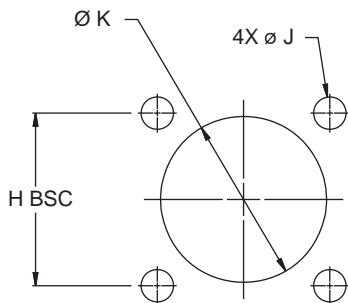


**Integral Band Platform**  
845-003-02

**Accessory Thread**  
845-004-02

### Dimensions

Shell Size	A Thread	Ø B		Ø C		Ø D Sq		E BSC		F Holes		G Thread
		In	mm	In	mm	In	mm	In	mm	In	mm	
8	.5000-1P-3L-TS-2A	.316	8.03	1.150	29.21	0.850	21.59	0.660	16.76	.096 2.43 .091 2.31		.3750-32 UNEF-2A
9	.5625-1P-3L-TS-2A	.397	10.08	1.230	31.24	0.913	23.19	0.723	18.36			.4375-28 UNEF-2A
10	.6250-1P-3L-TS-2A	.472	11.99	1.330	33.78	0.975	24.77	0.785	19.94			.5000-28 UNEF-2A
11	.6875-1P-3L-TS-2A	.519	13.18	1.410	35.81	1.039	26.39	0.848	21.54			.5625-24 UNEF-2A
12	.7500-1P-3L-TS-2A	.585	14.86	1.500	38.10	1.099	27.91	0.909	23.09			.6250-24 UNEF-2A
13	.8125-1P-3L-TS-2A	.646	16.41	1.590	40.39	1.163	29.54	0.973	24.71			.6875-24 UNEF-2A



### Panel Cut Out Dimensions

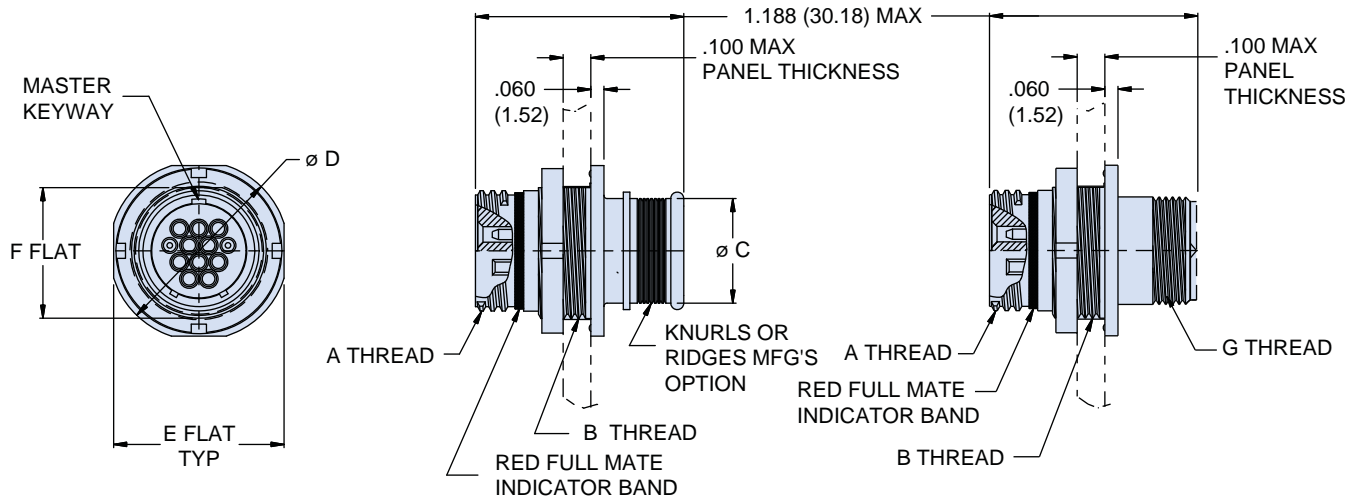
Shell Size	H Bsc		Ø J		Ø K	
	In	mm	In	mm	In	mm
8	.660	16.76	.096 .091	2.44 2.31	.515	13.08
9	.723	18.36			.578	14.68
10	.785	19.94			.640	16.26
11	.848	21.54			.703	17.86
12	.909	23.09			.765	19.43
13	.973	24.71			.828	21.03

Dimensions in Inches (millimeters) are subject to change without notice.

Series 845 Stinger™ Mighty Mouse  
Triple-Start ACME Thread Receptacle  
845-003 and 845-004 - Shell Style 07 Dimensions



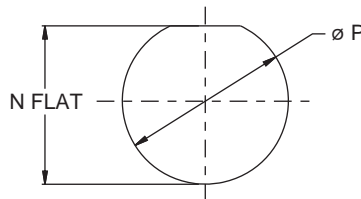
**Jam nut receptacle for rear panel mounting - shell style 07**



**Integral Band Platform**  
845-003-07

**Accessory Thread**  
845-004-07

Dimensions											
Shell Size	A Thread	B Thread	Ø C		Ø D		E Flat		F Flat		G Thread
			in	mm	in	mm	in	mm	in	mm	
8	.5000-1P-3L-TS-2A	.5625-28 UNEF-2A	.316	8.03	0.760	19.30	0.730	18.54	0.535	13.59	.3750-32 UNEF-2A
9	.5625-1P-3L-TS-2A	.6875-28 UN-2A	.397	10.08	0.880	22.35	0.850	21.59	0.661	16.79	.4375-28 UNEF-2A
10	.6250-1P-3L-TS-2A	.6875-28 UN-2A	.472	11.99	0.880	22.35	0.850	21.59	0.661	16.79	.5000-28 UNEF-2A
11	.6875-1P-3L-TS-2A	.7500-28 UN-2A	.519	13.18	0.955	24.26	0.925	23.50	0.721	18.31	.5625-24 UNEF-2A
12	.7500-1P-3L-TS-2A	.8125-28 UN-2A	.585	14.86	1.060	26.92	1.035	26.29	0.784	19.91	.6250-24 UNEF-2A
13	.8125-1P-3L-TS-2A	.8750-28 UN-2A	.646	16.41	1.120	28.45	1.090	27.69	0.843	21.41	.6875-24 UNEF-2A



Panel Cut Out Dimensions				
Shell Size	Ø N		Ø P	
	In	mm	In	mm
8	.547	13.89	.575	14.61
	.543	13.79	.571	14.50
9	.673	17.09	.700	17.78
	.669	16.99	.696	17.68
10	.673	17.09	.700	17.78
	.669	16.99	.696	17.68
11	.733	18.62	.762	19.35
	.729	18.52	.758	19.25
12	.796	20.22	.825	20.96
	.792	20.12	.821	20.85
13	.853	21.67	.887	22.53
	.849	21.56	.883	22.43

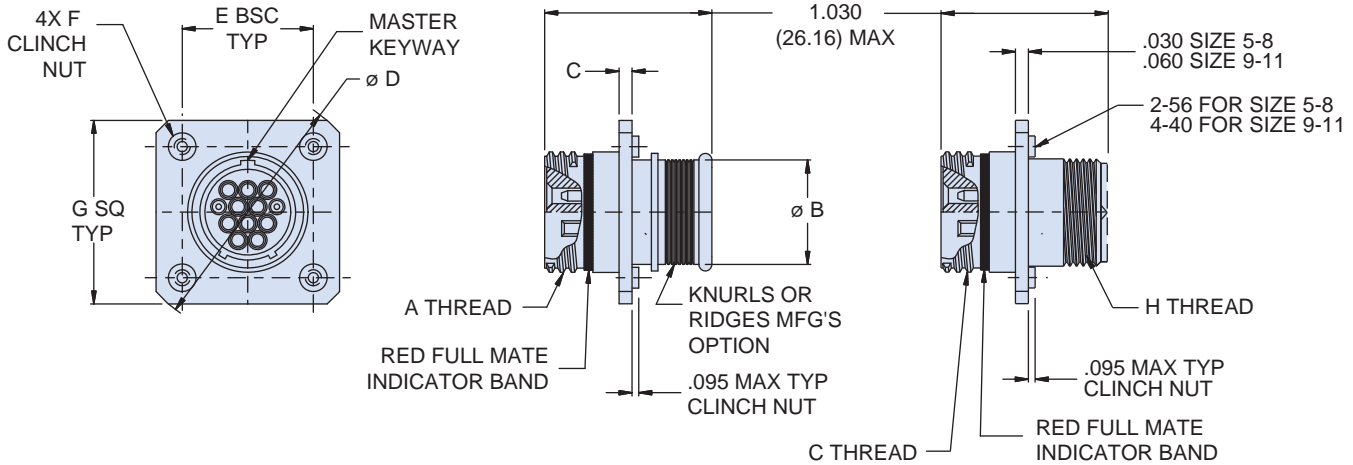
Dimensions in Inches (millimeters) are subject to change without notice.



# Series 845 Mighty Mouse Stinger™ Triple-Start ACME Thread Receptacle

## 845-003 and 845-004 Shell Style 12/22 Ordering Information

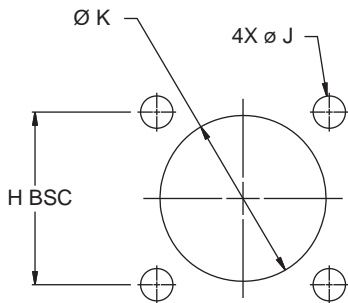
### Square flange receptacle for front or rear panel mounting - shell style 12 or 22



**Integral Band Platform**  
845-003-12/22

**Accessory Thread**  
845-004-12/22

Dimensions												
Shell Size	A Thread	Ø B		C	Ø D		E BSC		F Clinch	G SQ		H Thread
		in	mm				in	mm		in	mm	
8	.5000-1P-3L-TS-2A	.316	8.03	.030 (.76)	1.194	0.660	16.76	2-56	0.920		.3750-32 UNEF-2A	
9	.5625-1P-3L-TS-2A	.397	10.08		1.283	0.723	18.36		0.983		.4375-28 UNEF-2A	
10	.6250-1P-3L-TS-2A	.472	11.99		1.371	0.785	19.94		1.045		.5000-28 UNEF-2A	
11	.6875-1P-3L-TS-2A	.519	13.18		1.460	0.848	21.54		1.104		.5625-24 UNEF-2A	
12	.7500-1P-3L-TS-2A	.585	14.86		1.546	0.909	23.09		1.169		.6250-24 UNEF-2A	
13	.8125-1P-3L-TS-2A	.646	16.41		1.637	0.973	24.71		1.233		.6875-24 UNEF-2A	



Panel Cut Out Dimensions						
Shell Size	H Bsc		Ø J		Ø K	
	In	mm	In	mm	In	mm
8	.660	16.76	.096 .091	2.44 2.31	.515	13.08
9	.723	18.36			.578	14.68
10	.785	19.94			.640	16.26
11	.848	21.54			.703	17.86
12	.909	23.09			.765	19.43
13	.973	24.71			.828	21.03

Dimensions in Inches (millimeters) are subject to change without notice.

# Series 84 Mighty Mouse Stinger™ Contact Termination and Removal Tools



## Termination tools for size #28 contacts



These crimp tools perform precision eight indent crimps for gas-tight wire terminations and excellent tensile strength. Adjustment wheel has 8 settings. Ratchet mechanism prevents improper crimps. Use with bayonet-type positioners. Check calibration with M22520/3 gages. Length is 6.75 inches, weight is approx. 10 oz.

**A** Standard M22520/2-01 crimper. Use with size #28 Stinger™ Mighty Mouse contacts. Requires positioner, ordered separately.

**B** Positioner. Use with **A** crimper, ordered separately. Positioner holds contact at proper depth. Contact to remain in protective sleeve during crimping.


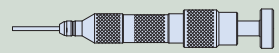

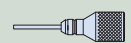


Figure	Part Number	Military Part Number	Daniels Part Number
A	809-015	M22520/2-01	AFM8
B	859-077	(none)	K267-4

M

## Stinger™ Contact tools



Tooling for Size #28 Contact System		
Tool	Glenair part Number	Reference view
Insertion Tool	859-078-000	 (shown less protective cover)
Extraction Tool With Protective Cover	859-079-000	 (shown less protective cover)
Extraction Tool Protective Cover Only (Spare/Extra)	859-079-001	
Extraction Tool Replaceable Tip (Spare/ Extra)	859-079-002	

**Notes:**

1. All tools are the same for both pin and socket contacts
2. Insertion tool is recommended for contact with O-ring seal, contacts without O-ring seal are insertable by hand, without tool
3. Insertion tool is designed for wire diameter of .035 inches maximum

Dimensions in Inches (millimeters) are subject to change without notice.

SERIES 80  
HIGH SPEED

# MIGHTY MOUSE



High-Speed performance and reliable signal integrity in a lightweight, ultraminiature package



Glenair has expanded the Mighty Mouse line to include connectors optimized for high-speed digital applications. A wide range of interconnect technologies are available, including

- High-Speed series 80 with DuPont™ Teflon® insulators for superior electrical performance in protocol-specific applications like eSATA and USB 2.0/3.0.
- Mighty Mouse Ultra-Twinax connectors utilizing size #12 Twinax contacts for differential pair applications such as LVDS and CML.
- Size #8 Quadrax and differential Twinax technologies for high-speed 100BASE-T Ethernet applications



Glenair, Inc.  
1211 Air Way  
Glendale, CA  
91201-2497  
818-247-6000  
sales@glenair.com  
www.glenair.com

# MIGHTY MOUSE

## HIGH SPEED, HIGH BANDWIDTH PERFORMANCE

for Military Grade Connectors and Cables

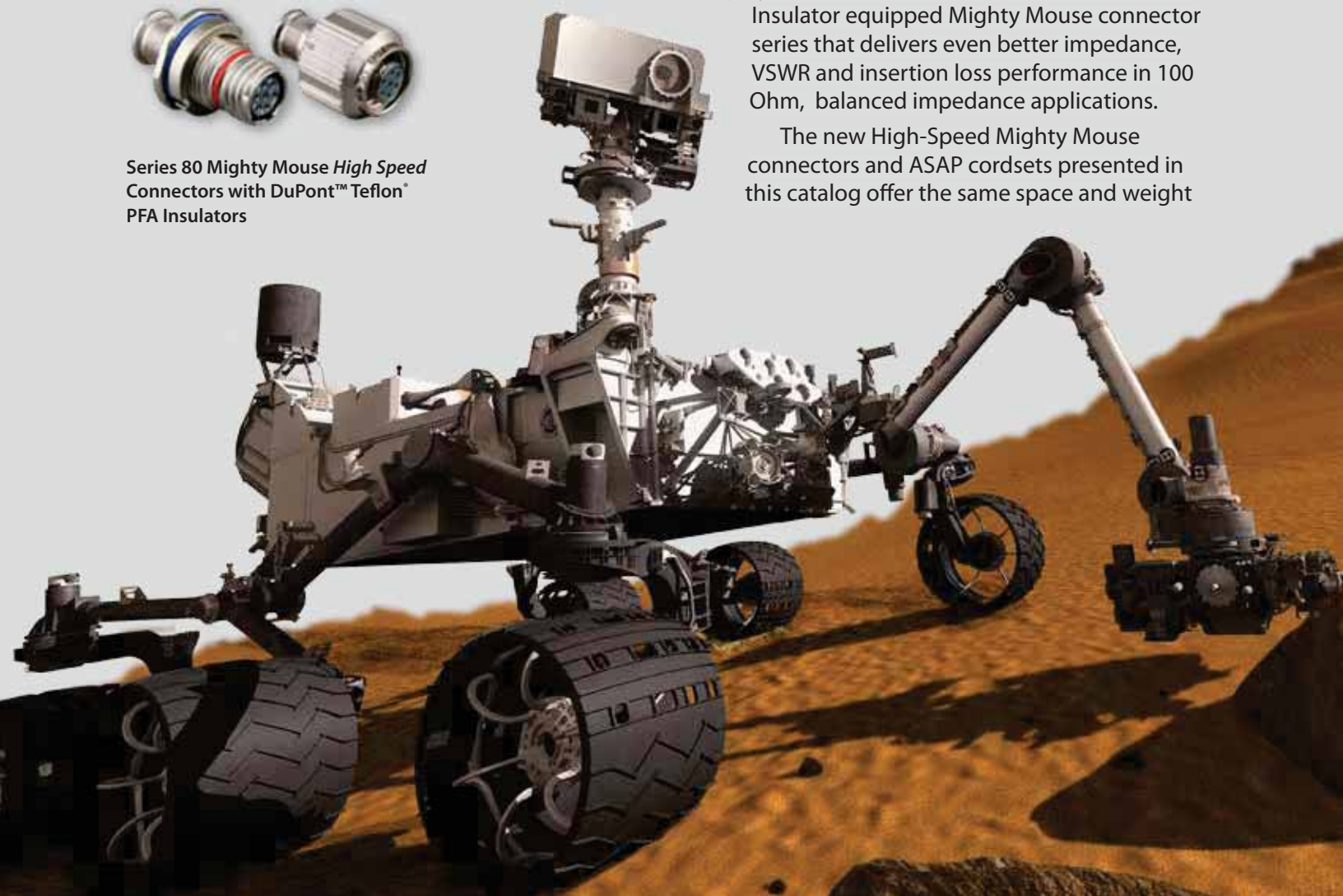
In response to requests for ruggedized, shielded connectors and cables to replace unshielded systems for high-speed serial data, Glenair developed its Mighty Mouse line of high speed serial data cordsets. Available for 100BASE-T, 1000BASE-T Gigabit Ethernet, IEEE 1394, USB 2.0 and CAN Bus applications, these cordsets combined aerospace-grade data cables



Series 80 Mighty Mouse *High Speed*  
Connectors with DuPont™ Teflon®  
PFA Insulators

with Series 80 Mighty Mouse harsh environment connectors for maximum performance and minimum size. These cables, which used our standard Series 80 Mighty Mouse connectors with LCP insulators, have been successfully used in hundreds of Ethernet and other high speed data protocol applications. Now Glenair is proud to introduce our latest High-Speed Mighty Mouse innovation, a DuPont™ Teflon® PFA Insulator equipped Mighty Mouse connector series that delivers even better impedance, VSWR and insertion loss performance in 100 Ohm, balanced impedance applications.

The new High-Speed Mighty Mouse connectors and ASAP cordsets presented in this catalog offer the same space and weight







## Introduction to *High-Speed, Balanced Impedance* Connectors and Cables for SATA and Other Differential Data Bus Applications

savings as our original LCP versions with superior performance in SATA and 2, 3, and 4 pair differential cable applications. These miniaturized connectors and cordsets are ideal for ultra high bandwidth data switches requiring high density packaging. Performance measurements for impedance, VSWR and insertion loss indicate that the special PFA (Teflon) insulator-equipped connectors, combined with our high-performance high-speed differential 963-001 Series cable, deliver performance levels not available in other ultraminiature military-grade interconnection assemblies.

High Speed Performance	
Impedance	100 OHMS $\pm$ 7 OHMS at 100-Picosecond
VSWR	<1.4 up to 4-GHz

Insertion Loss	
1 GHz	.51 dB
2 GHz	.53 dB
3 GHz	.57 dB
4 GHz	1.2 dB
5 GHz	1.25 dB

## High-Speed Data Protocols

### *Ethernet*

Avionic and other military vehicle data transfer systems are growing increasingly complicated—the number of data paths, data rates and the quantity and sophistication of subsystems continue to escalate. In addition to transmission speed, accuracy and reliability are tremendously important. Ethernet communication technology, with its huge installed base and history of reliability, is ideally suited for military vehicles and other field applications. Although there are many MIL-STD-1553 bus architecture and data link systems in use, applications such as tactical radar require faster data rates than older architectures can deliver.

Basic Ethernet protocol is referred to as “CSMA/DC” (Carrier Sense, Multiple Access and Collision Detection). To define some terms: “Carrier Sense,” the hosts can detect whether the medium is idle or busy; “Multiple Access,” multiple hosts are connected to the common medium; and “Collision Detection,” when a host transmits, the protocols can determine whether its transmission has collided with the transmission of another host. If two or more information packets are sent simultaneously, a collision occurs and neither transmission is successful—collision detection instructs the system to retransmit the colliding packets. Legacy

Ethernet is half-duplex, meaning information can move in only one direction at a time, and is less-than-ideal for many avionic applications, as fastest-possible communication is not guaranteed. The collision problem occurs in any bus-oriented architecture, such as MIL-STD-1553.

Full-duplex, switched Ethernet eliminates the collision problem by employing links that are point-to-point (not a bus) with a separate twisted pair for transmission and reception. Full-duplex also has the ability to send and receive data at the same time by employing a network of Ethernet switches able to forward incoming packets to their appropriate destinations. Gigabit Ethernet transfers data on four pairs of wires instead of only two pairs under legacy Ethernet forms. Further, transmission coding is enhanced for Gigabit Ethernet so that the standard clock rate of 125 MHz that produces 100 mbps data transfer rates in so-called “Fast Ethernet” is supercharged to 1,000 mbps. Gigabit Ethernet can fit an order of magnitude more data into the same cable than can Fast Ethernet, but employs the same transmission schemes and frame format as the earlier Ethernet versions.

### *IEEE 1394*

In the early 1990s, Apple Computer and Texas Instruments worked with the Institute of Electrical and Electronics Engineers (IEEE) to establish a very fast serial bus interface standard that supports data transfer rates of up to 400 mbps (in 1394a) and 800 mbps (in 1394b). Products supporting the 1394 standard go under different names, depending on the company. Apple uses the name FireWire, Texas Instrument uses Lynx and Sony uses i.link to describe their 1394 products. A single 1394 port can be used to connect up to 63 external devices. In addition to its high speed, 1394 also supports isochronous data, delivering data at a guaranteed rate. This isochronous feature makes it ideal for devices that need to transfer high levels of data in real-time, such as video and audio applications. 1394 makes full use of all SCSI (Small Computer System Interface, a parallel interface standard used for attaching peripheral devices to computers).

# Introduction to *High-Speed, Balanced Impedance* Connectors and Cables for SATA and Other Differential Data Bus Applications



Series 80  
High Speed  
Mighty Mouse

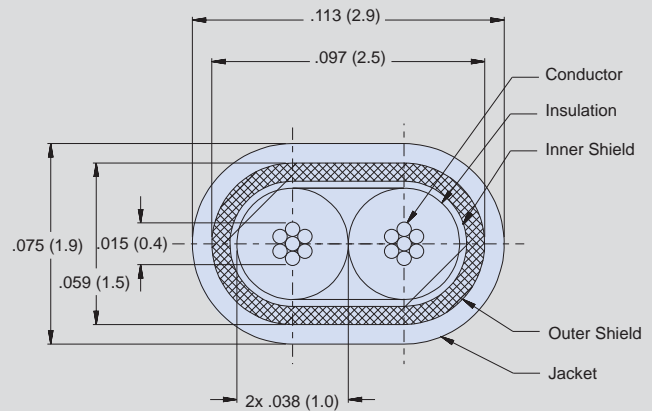
## MIL-STD-1553

MIL-STD-1553 defines all aspects of the serial digital multiplex data bus for military vehicles. Multiplexing combines two or more information channels on to a common transmission medium. When compared to older analog point-to-point wire bundles, multiplexing allows for weight reduction, simplicity of system design, standardization and flexibility. The 1553 data bus provides integrated, centralized system control and a standard interface for all interconnected equipment. Devices connect using twisted, shielded pairs of wires to maintain message integrity. All devices in the system are connected to a redundant pair of buses to provide a second path of traffic should one of the buses become damaged. Data rates of 1 megabit per second (mbps) are standard under MIL-STD-1553. MIL-STD-1773 contains the requirements for fiber optic cabling systems as a 1553 bus transmission medium.

## SATA

Serial ATA (SATA or Serial Advanced Technology Attachment) is a computer bus interface for connecting host bus adapters to mass storage devices such as hard disk drives and optical drives. Serial ATA was designed to replace the older ATA (AT Attachment) standard (also known as EIDE), offering several advantages over the older parallel ATA (PATA) interface: reduced cable-bulk and cost (7 conductors versus 40), native hot swapping, faster data transfer through higher signalling rates, and more efficient transfer through an optional I/O queuing protocol. SATA is an emerging standard in C4ISR and other forms of battlefield communications and data transmission electronics.

SATA host-adapters and devices communicate via a high-speed serial cable over two pairs of conductors.



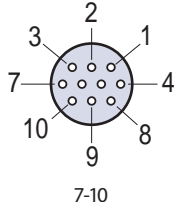
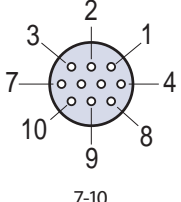
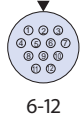
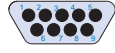
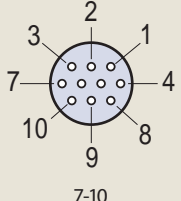

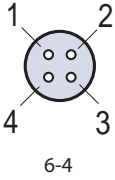
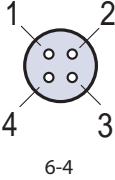
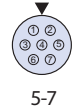

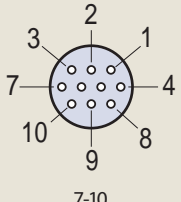
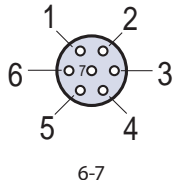
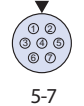
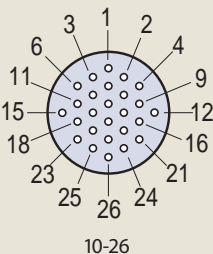
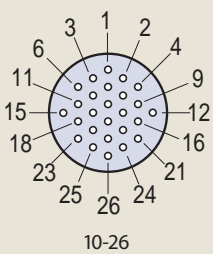
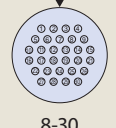
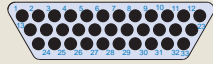
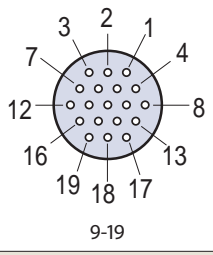
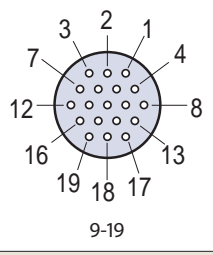
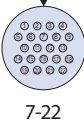
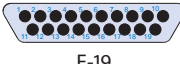
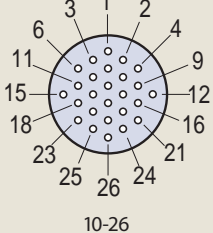

Cross-section of Glenair high-performance series 963-001 100 Ohm differential parallel pair cable (standalone cable 963-013 used for SATA).

Series 963-001 Cable Construction Details	
Conductor	28 AWG Silver Plated High Strength Copper Alloy
Insulation	Extruded Foamed Fluoropolymer Color: Blue and White
Inner Shield	Aluminum/Polyester Tape, 100% Coverage
Outer Shield	Round Silver Plated Copper Braid, 90% Coverage
Jacket	Extruded FEP Color: Transparent Blue

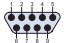
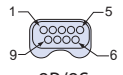
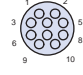
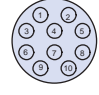
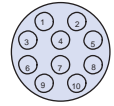
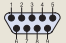

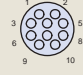
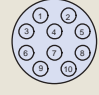
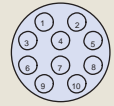
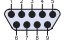
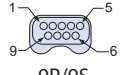
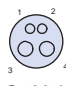
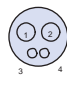
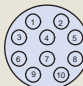
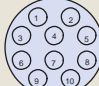
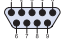
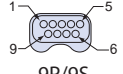
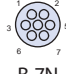
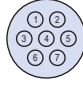
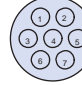


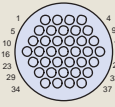

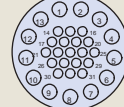
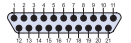
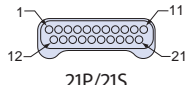
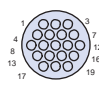
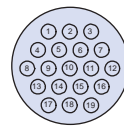
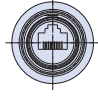
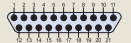

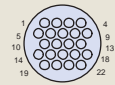
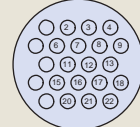
Series 963-001 Cable Properties	
Impedance	100 ± 10 Ohms
Capacitance	12.0 pF/Ft (Nom)
V.O.P.	80%
Attenuation	0.25 dB/m @ 100 MHz 0.75 dB/m @ 500 MHz 1.25 dB/m @ 1000 MHz
Temperature Rating	150° C

Glenair Connectors Suitable for Use in High-Speed Applications\*

High-Speed Protocol

	Series 80 Mighty Mouse	Series 80 Mighty Mouse High Speed	Series 811 Mighty Mouse High Density	Series 79 MicroCrimp
Up to: Cat 5e (1000BASE-T)	 7-10	 7-10	 6-12	 B-9
Up To: Cat 6A (10GBASE-T)	Not suitable	 7-10	 6-12	Not suitable
USB 2.0	 6-4	 6-4	 5-7	 A-5
USB 3.0	Not suitable	 7-10	Not suitable	Not suitable
eSATA/SATA	Not suitable	 6-7	 5-7	Not suitable
DVI-D	 10-26	 10-26	 8-30	 G-33
HDMI	 9-19	 9-19	 7-22	 E-19
Display Port	Not suitable	 10-26	 7-22	Not suitable

Glenair Connectors Suitable for Use in High-Speed Applications\*

MIL-DTL-83513 Micro-D	MIL-DTL-32139 Nano (2:1 scale)	Series 88 SuperFly™ (2:1 scale)		
 <p>9P/9S</p>	 <p>9P/9S</p>	 <p>C-10N</p>	 <p>G-10M</p>	 <p>H-10W</p>
 <p>9P/9S</p>	 <p>9P/9S</p>	 <p>C-10N</p>	 <p>G-10M</p>	 <p>H-10W</p>
 <p>9P/9S</p>	 <p>9P/9S</p>	 <p>C-2M2N</p>	 <p>D2W2N</p>	
<p>Not suitable</p>	<p>Not suitable</p>	 <p>G-10M</p>	 <p>H-10W</p>	
 <p>9P/9S</p>	 <p>9P/9S</p>	 <p>B-7N</p>	 <p>F-7M</p>	 <p>G-7W</p>
 <p>25P/25S</p>	 <p>25P/25S</p>	 <p>H-37N</p>	 <p>J-7W19N</p>	 <p>K-13M19N</p>
 <p>21P/21S</p>	 <p>21P/21S</p>	 <p>E-19N</p>	 <p>K-19M</p>	 <p>*Consult factory for MIL-DTL-38999, Series 80 Mighty Mouse and MIL-DTL-5015 solutions that incorporate RJ45 and USB high-speed connectors</p>
 <p>21P/21S</p>	 <p>21P/21S</p>	 <p>E-22N</p>	 <p>L-22M</p>	<p>©2014 GLENAIR, INC.  1211 AIR WAY  GLENDAL, CA 91201-2497  818-247-6000  FAX 818-500-9912  www.glenair.com  E-Mail: sales@glenair.com</p>

## High-Performance, High-Speed Differential Technologies Available Now From Glenair

### *High Speed Series 80 Mighty Mouse Connectors with DuPont™ Teflon® PFA Insulators*



The Series 80 *High Speed* Mighty Mouse is Glenair's latest entry in our world of *high-speed* interconnect solutions. The connector is equipped with special PFA (Teflon) insulators and is optimized for use with high-speed differential wire such as our 963-001 series cable. Five insert arrangements are offered with 4, 7, 10, 19 and 26 size #23 contacts. The high-density, small form factor connector is suited for applications where traditional military circular connectors are too large or too heavy, and where the demands for high bandwidth, balanced impedance performance are at their highest. Other Glenair *High Speed* Solutions include:

### *High-Bandwidth Fiber Optic Connectors, Cables, and Termini*

From our QPL MIL-PRF-28876 fiber optic connectors to our MIL-DTL-38999 type solutions, Glenair produces advanced performance fiber optic interconnection systems for every military and commercial standard. Fiber optic connectors, termini and cabling deliver secure high speed data in applications that require superior insertion loss and high data throughput. Fiber optic interconnect systems offer exponentially larger bandwidth compared to standard electrical cabling. Glenair manufactures a solution for every branch of the military and every mission-critical commercial application. Series #16 AWG Mighty Mouse fiber optic solutions are also now available.



### *High-Performance Shielded Contact Connectors*

High-speed differential impedance contacts, such as those used in advanced digital communications applications, are another key specialty at Glenair. Our Twinax and Quadrax contacts are exactly engineered and manufactured using the best available materials and manufacturing processes. Conductive elements are gold-plated copper alloy. Dielectrics are high performance fluorocarbon. Most Glenair cylindrical connectors, including our D38999 type, can accommodate shielded contacts that deliver balanced impedance performance for application frequencies above 1GHz.



### *Field-Ready, Integrated RJ-45 and USB Connectors*

Glenair integrates commercial connection devices that traditionally deliver datalinks for high-speed protocols into standard MS type connector shells. We offer rugged field-ready circular connectors that enclose single and double RJ-45 or USB connectors. Users of these standard products need not worry about damaging delicate high bandwidth connections in harsh conditions when these connectors are deployed in place of standard, non-protected solutions. The MIL-DTL-5015 or MIL-DTL-26482 type connector shells provide impact resistance, ingress protection and positive coupling.



## Mighty Mouse High-Speed and Ultra-Twinax connectors: rugged environmental sealing and high-speed matched impedance electrical performance in an ultraminiature package



Glenair Series 80 Mighty Mouse connectors are the new industry standard for high-performance ultraminiature connectors. Now Glenair expands the Mighty Mouse line to include connectors optimized for high-speed matched impedance performance. The Mighty Mouse High-Speed product line features DuPont™ Teflon® insulators for superior electrical performance in protocol-specific applications like eSATA and USB 2.0/3.0. Mighty Mouse Ultra-Twinax connectors utilize size #12 Twinax contacts for ultra-high speed differential pair applications such as LVDS and CML.

### MIGHTY MOUSE HIGH-SPEED



Series 80 Mighty Mouse High Speed Connectors with DuPont™ Teflon® PFA Insulators

- For high-speed protocols: eSATA, 10GBASE-T, USB 2.0 / 3.0
- DuPont™ Teflon® PFA insulators for superior insertion loss and balanced impedance
- Series 801 double-start ACME thread and Series 804 push-pull quick disconnect connectors available
- Discrete components or overmolded cordsets

### MIGHTY MOUSE ULTRA-TWINAX



Series 80 Mighty Mouse Ultra-Twinax Connectors with Size #12 Twinax contacts

- For ultra high-speed differential pair applications: LVDS, CML
- Size #12 Twinax and hybrid contact arrangements
- Series 801 double-start ACME thread connectors
- Discrete components or overmolded cordsets

### MIGHTY MOUSE WITH SIZE #8 QUADRAX AND DIFFERENTIAL TWINAX CONTACTS



Series 805 Mighty Mouse plug with size 8 Quadrax contacts

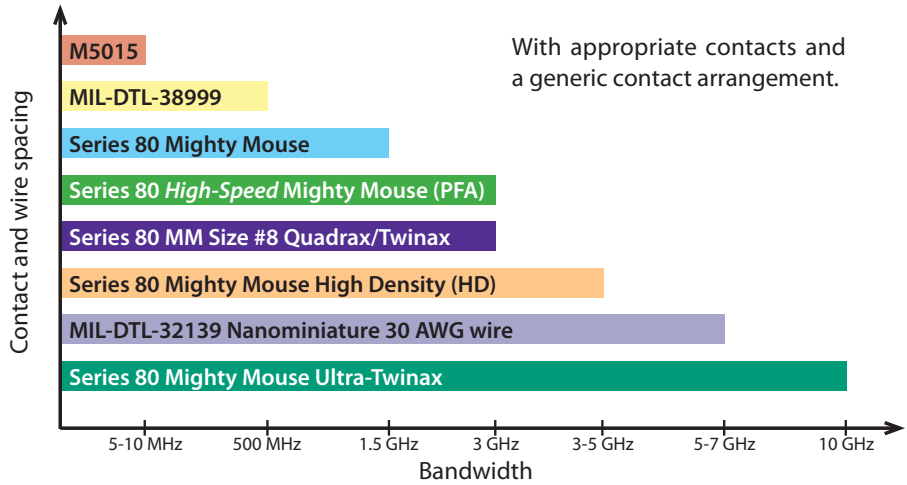
- Differential Twinax contacts for 100 Ohm serial data transmission
- Quadrax contacts for 100BASE-T Ethernet
- Arrangements for 1, 2, 3, 4 or 5 snap-in, rear-release contacts
- Lightweight, low profile
- Comprehensive range of assembly tooling
- Available for Series 801 (double-start) and 805 (triple-start) Mighty Mouse connectors



# Series 80 High Speed Mighty Mouse Connectors and Cables

## Product Overview

This table compares contact and wire spacing and bandwidth performance in miniaturized interconnect applications. As contact density increases, the performance of the interconnect improves. Note the position of the High-Speed and Size #8 Mighty Mouse compared to standard Mighty Mouse, and the position of the Ultra-Twinax Mighty Mouse with performance up to 10 GHz. The density of the Ultra-Twinax contacts is measured between the two components in each contact—so although the #12 contact is larger overall, the effective contact density is higher.



With appropriate contacts and a generic contact arrangement.

N

Mighty Mouse High Speed Contact Arrangements				
Mating Face View of Pin Connector (Socket Connector Numbers are Reversed)				
6 - 4	6 - 7	7 - 10	9 - 19	10 - 26
Shell Size 6 4 Size #23 Contacts	Shell Size 6 7 Size #23 Contacts	Shell Size 7 10 Size #23 Contacts	Shell Size 9 19 Size #23 Contacts	Shell Size 10 26 Size #23 Contacts

Mighty Mouse Ultra Twinax Size #12 Differential Twinax Contact Arrangements (Mating Face/Pin Connector)						
7-1	10-2	16-5	17-7	21-12	10-201	10-200
Shell Size 7 1 Size #12 Twinax Contact	Shell Size 10 2 Size #12 Twinax Contacts	Shell Size 16 5 Size #12 Twinax Contacts	Shell Size 17 7 Size #12 Twinax Contacts	Shell Size 21 12 Size #12 Twinax Contacts	Shell Size 10 2 Size #12 Twinax 4 Size #23 Contacts	Shell Size 10 1 Size #12 Twinax 12 Size #23 Contacts

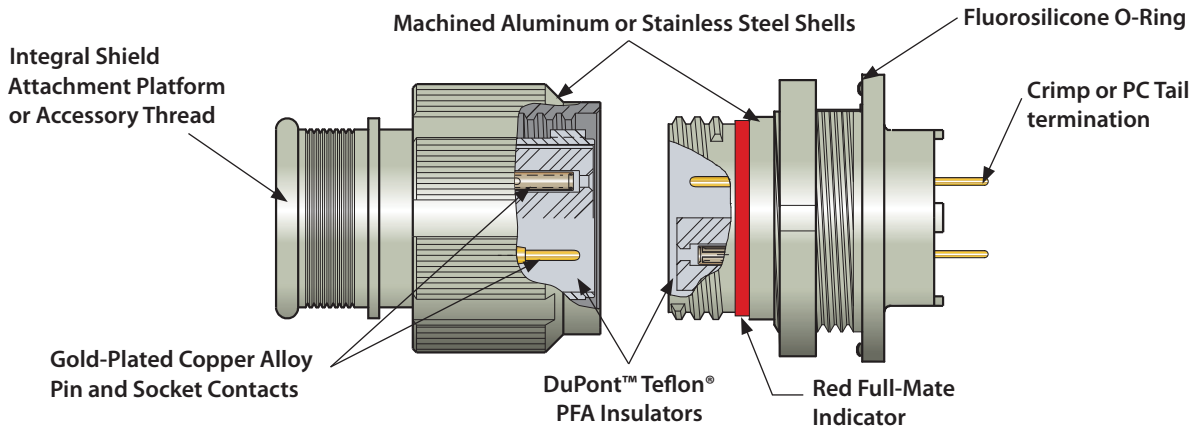
Mighty Mouse #8 Quadrax / Differential Twinax Contact Arrangements					
Mating Face					
Series 801	Shell Size 8 1 Size # 8 Contact	Shell Size 10 2 Size #8 Contacts	Shell Size 17 3 Size #8 Contacts	Shell Size 19 4 Size #8 Contacts	Shell Size 21 5 Size #8 Contacts
Series 805	Shell Size 10 1 Size #8 Contact	Shell Size 18 2 Size #8 Contacts	Shell Size 19 3 Size #8 Contacts	Shell Size 21 4 Size #8 Contacts	Shell Size 23 5 Size #8 Contacts

# Series 80 High-Speed Mighty Mouse Cutaway View

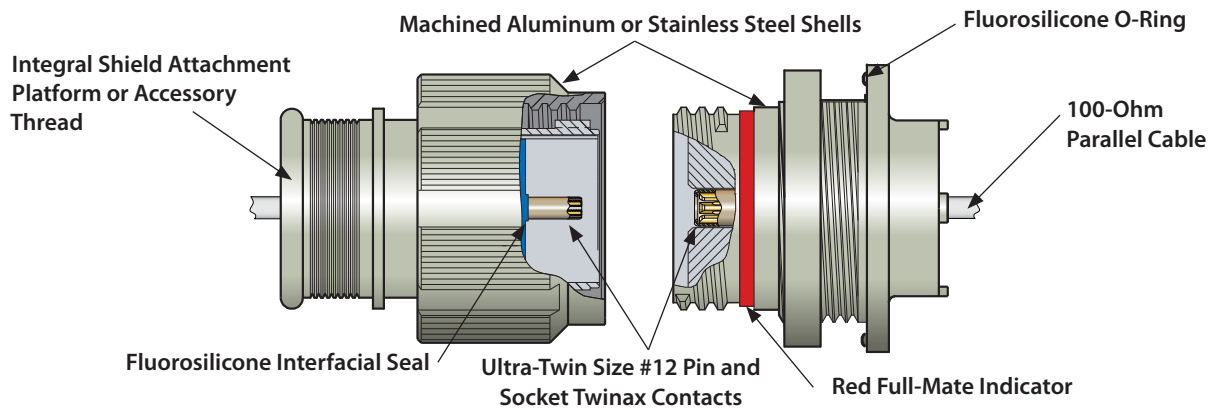


Series 80 High  
Speed Mighty  
Mouse

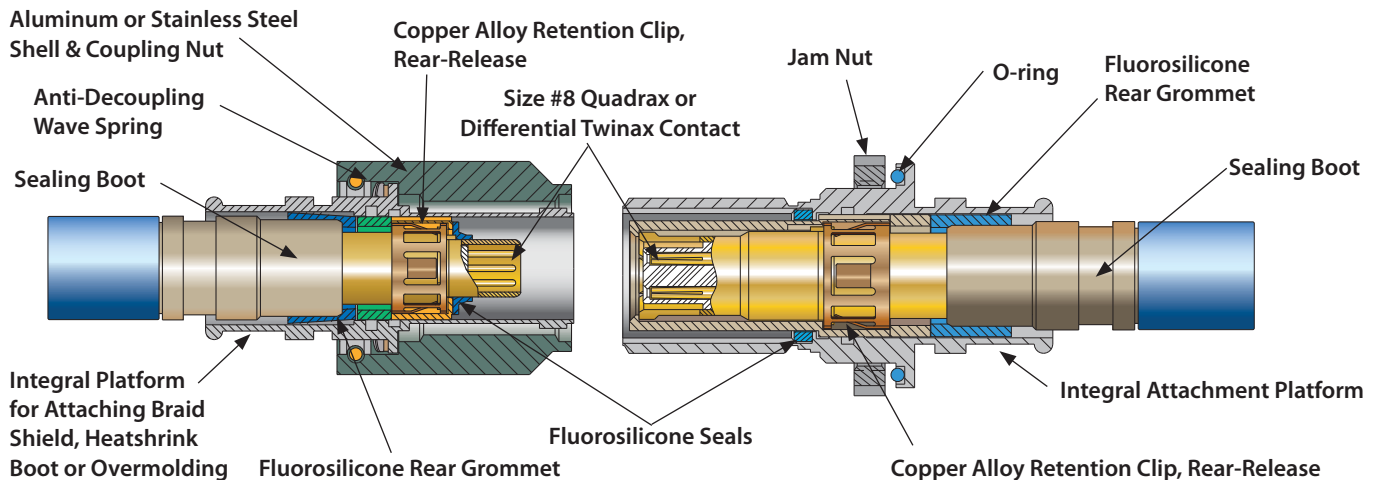
## MIGHTY MOUSE HIGH-SPEED PLUG AND RECEPTACLE CUTAWAY



## MIGHTY MOUSE ULTRA-TWINAX PLUG AND RECEPTACLE CUTAWAY



## MIGHTY MOUSE WITH SIZE 8 CONTACTS PLUG AND RECEPTACLE CUTAWAY







## Size #23 Crimp Contacts for Series 80 High-Speed Mighty Mouse Connectors

### SIZE #23 CRIMP CONTACTS

Standard size #23 contacts accept #22 to #28 AWG wire. Choose "small bore" versions for #26 to #30 AWG wire. Contacts are bulk packaged. Terminate with standard M22520 crimper with special positioner.

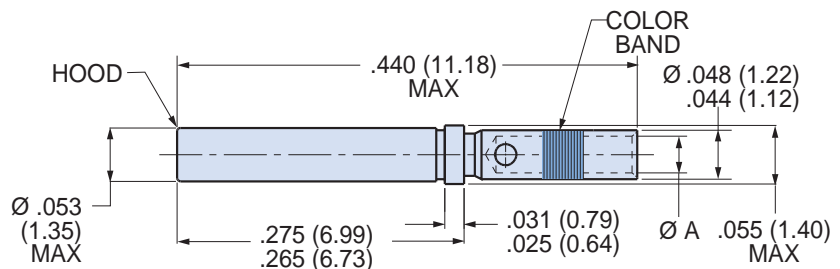
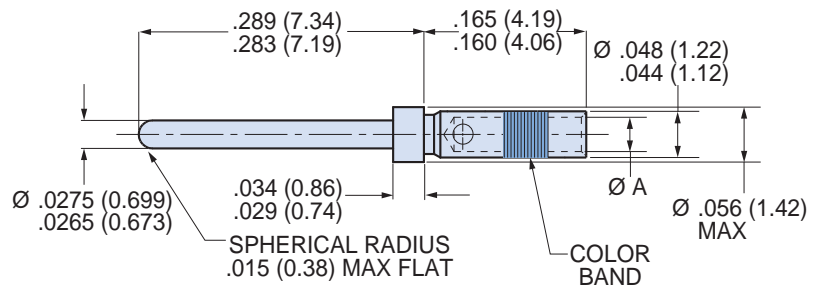


#23 Pin Contact



#23 Socket Contact

Contact Type	Wire Size	Material	Part Number	Ø A		Color Band	Tool Code
				In.	mm.		
Pin	#22 - #28	BeCu	<b>809-001</b>	.0335-.0355	0.851-0.902	None	A, C
Pin	#26 - #30	BeCu	<b>809-042</b>	.0229-.0245	0.582-0.622	Blue	A, D
Socket	#22 - #28	BeCu	<b>809-002</b>	.0335-.0355	0.851-0.902	None	A, C
Socket	#26 - #30	BeCu	<b>809-043</b>	.0229-.0245	0.582-0.622	Blue	A, D



N

Crimp Tensile Strength		
Values are in pounds and are minimums.		
Wire Gage	Silver or Tin Coated Copper Wire	Nickel Coated Copper Wire
#22	12	8
#24	8	6
#26	5	3
#28	3	2
#30	1.5	1.5

### Material and Finish

Beryllium copper alloy per ASTM B196 or B197, 50 microinches gold plated per ASTM B488 Type II Code C Class 1.25 over nickel plate per QQ-N-290 Class 2, 50-100 microinches. Socket contact hood: stainless steel, passivated per AMS-QQ-P-35.

### Specifications

Current Rating: 5 Amps maximum  
Voltage Drop (at 5 Amps and 25° C): 70 millivolts maximum  
Temperature Range: -65° to + 200° C  
Socket Contact Minimum Separation Force: 0.5 ounces

### Crimp Tools and Insertion/Removal Tools

Crimper: 809-015  
Positioner: 809-005 (standard). Use P/N 809-057 for small bore contacts 809-065 and 809-066  
Standard Insertion/Removal Tool: 809-088

Dimensions in Inches (millimeters) are subject to change without notice.

# Size #23 Crimp Contact Termination, Installation and Removal Instructions for Series 80 High-Speed Mighty Mouse Connectors



## HOW TO TERMINATE, INSTALL AND REMOVE SIZE #23 CONTACTS

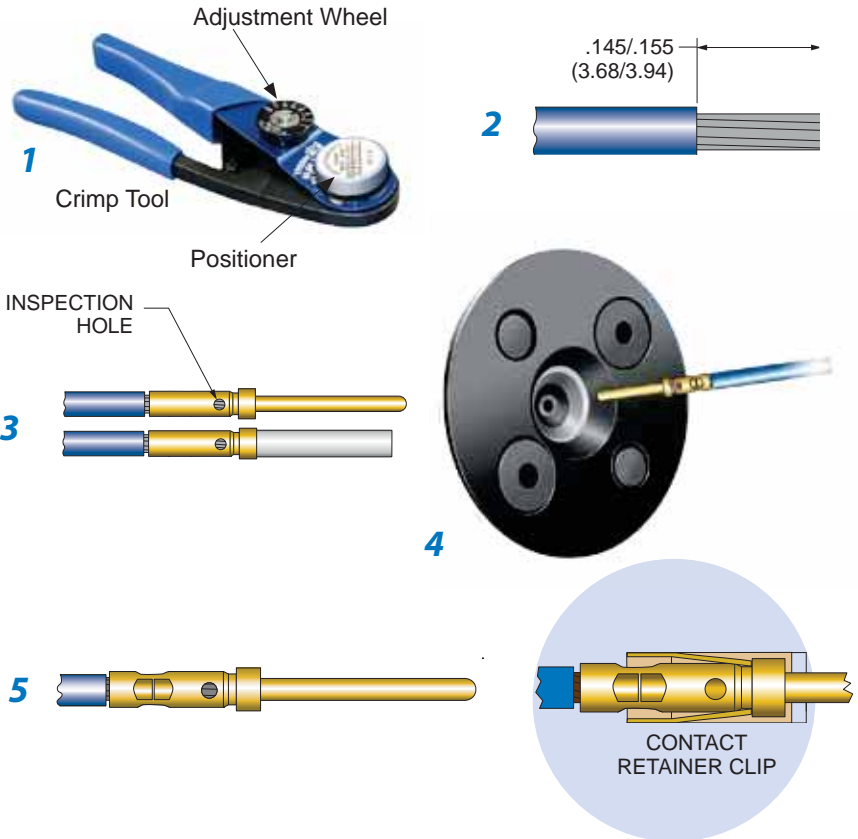
**1 Set Up Crimp Tool.** Install proper positioner into crimp tool. The label on the positioner shows the proper tool setting for each wire size. Turn the adjustment wheel to the correct setting.

**2 Strip Wire.** Remove wire insulation, taking care to avoid nicking or cutting wire strands. Strip wire to length shown.

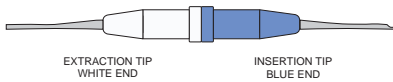
**3 Insert wire** into contact. The wire should be visible in the inspection hole.

**4** Insert contact into crimp tool as shown. Make sure that the contact is fully inserted into the tool. Squeeze handle completely. The ratchet mechanism will not allow a partial crimp. Release handle and remove contact.

**5 Inspect crimped contact.** Wire should be fully inserted and the crimp should be uniform in appearance.

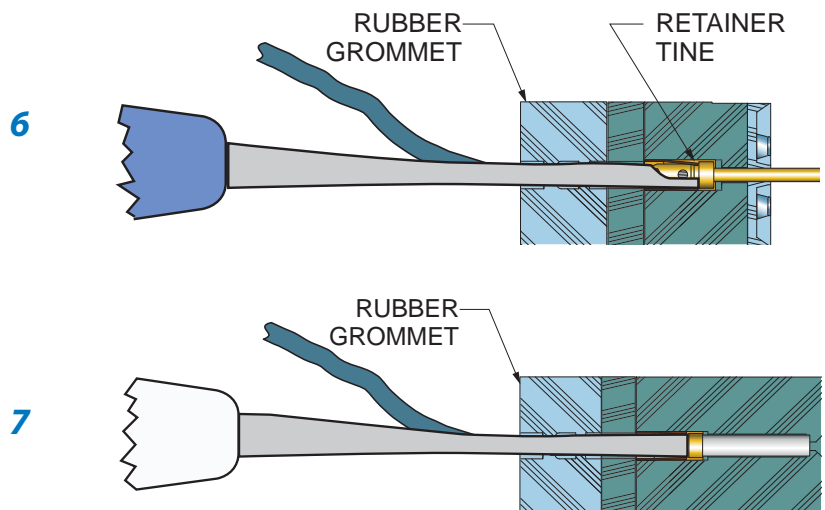


Insertion/Extraction Tool 809-088



**6 Install contact into connector.** Push the contact through the rear grommet until the contact locks into place. This can usually be done by hand without the need for a tool. If the wire gage is #26 or smaller, a tool is helpful. There are two techniques for installing contacts with a tool. One method is to push the contact in by hand, then use the tool to finish the insertion. The other method is to position the insertion tip against the contact shoulder, then insert the contact. Use insertion/extraction tool 809-088 to install contacts. Slide the wire into the groove on the blue end of the tool. Slide the tool tip up the contact until it touches the contact shoulder. **USE CARE TO AVOID DAMAGING THE CONNECTOR.**

**7 Contact Extraction.** Use tool 809-088. The white end is used for contact extraction. First, push the wire into the groove of the metal tip. Slide the tip of the tool into the connector. Push the tool into the connector cavity until the tip bottoms in the connector. Avoid wiggling or rocking the tip. This may damage the cavity. A straight push is best. Pinch the wire between your finger and the white plastic grip and slide the tool and contact out of the connector. **Wire insulation diameter greater than 0.045 inches (1.14mm) is too large to work properly with the extraction tool. connector damage is possible.**



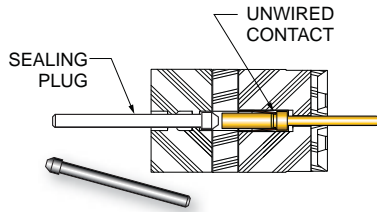
Dimensions in Inches (millimeters) are subject to change without notice.



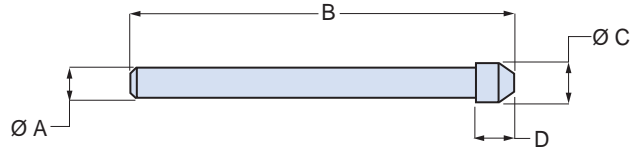


## Size #23 Crimp Contact Sealing Plugs and Tools for Series 80 High-Speed Mighty Mouse Connectors

### GROMMET SEALING PLUGS



Grommet sealing plugs are used to seal unwired contact cavities. The size #23 sealing plug is specially designed to fit Glenair Series 80 grommets. After installing unwired contacts into unused cavities, insert knob end of sealing plug into grommet until it bottoms against the unwired contact per illustration. Install sealing plugs with standard contact insertion/extraction tools. The size #23 plug is polyphenylsulphone.



Size	Color	Part Number	Military Part Number	Insertion/ Removal Tool	A Ref.		B Ref.		C Ref.		D Ref.	
					in.	mm.	in.	mm.	in.	mm.	in.	mm.
#23	Black	<b>809-155</b>	(None)	M81969/14-01	.040	1.02	.51	13.0	.052	1.32	.050	1.27

### MINIATURE ADJUSTABLE CRIMP TOOLS

N



Standard M22520/2-01 crimper for use with standard size #23 Mighty Mouse contacts. Crimp tools perform precision eight indent crimps for gas-tight wire terminations and excellent tensile strength. Adjustment wheel has 8 settings. Ratchet mechanism prevents improper crimps. Use with bayonet-type positioners. Check calibration with M22520/3 gages. Length is 6.75 inches, weight is approx. 10 oz.

Part Number	Military Part Number	Daniels Part Number	Tool Code
<b>809-015</b>	M22520/2-01	AFM8	A

### POSITIONERS FOR USE WITH MINIATURE ADJUSTABLE CRIMP TOOLS



These bayonet-type positioners hold contacts at correct height for crimping with M22520/2 type miniature step adjustable tools, above. Face plate shows correct tool settings. "C" Positioner is for standard size #23 contacts. #22-#28 AWG. Use with 809-015 crimp tool. "D" Positioner is for small bore size #23 contacts. #26-#30 AWG. Use with 809-015 crimp tool.

Figure	Part Number	Military Part Number	Daniels Part Number	Tool Code
C	<b>809-005</b>	(none)	K1461	C
D	<b>809-057</b>	(none)	(none)	D

### CONTACT INSERTION AND REMOVAL TOOL



Insertion/Extraction Tool for #23 Contacts. This tool features molded plastic grips and sturdy stainless steel tips. Blue/White molded handle.

Size	Type	Part Number	Military Part Number	Daniels Part Number
#23	Insertion/Extraction	<b>809-088</b>	(None)	(None)

Dimensions in Inches (millimeters) are subject to change without notice.

Series 801 Mighty Mouse *High-Speed*  
Double-Start ACME Thread Connectors  
Table of Contents and Introduction



Series 801  
High-Speed

**PRODUCT SELECTION GUIDE**



**801-036 and 801-039**  
Plug Connectors

Page P-4



**801-037 and 801-040**  
Crimp Receptacles

Page P-6



**801-038**  
PCB Receptacles

Page P-10



**801-045, -046, -047, -076, -077, -078, -081**  
Series 801 Overmolded Cordsets for eSATA, Ethernet, USB and SATA  
Mighty Mouse Back-to-Back and Mighty Mouse - Commercial

Page P-13

Dimensions in Inches (millimeters) are subject to change without notice.

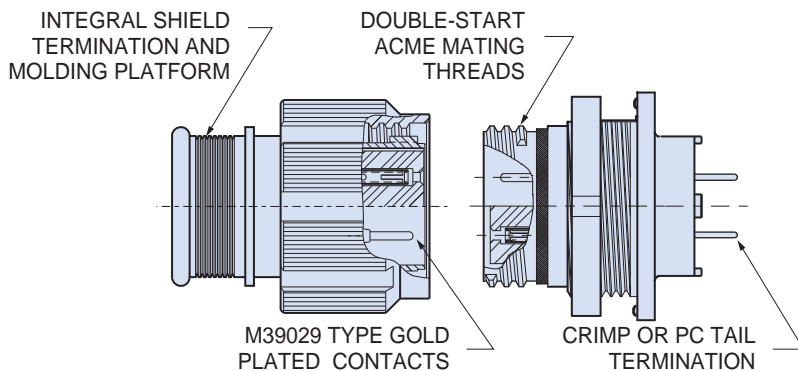


## Series 801 High-Speed Mighty Mouse Plug and Receptacle Connectors

The 801 Series High-Speed Mighty Mouse is ideal for use in USB 2.0, eSATA and other high-speed databus applications. The connector is equipped with special PFA (Teflon) insulators and is optimized for use with high-speed differential wire such as our 963-001 Series cable. Five insert arrangements are offered with 4, 7, 10, 19 and 26 size #23 contacts. The high-density, small form factor connector is suited for applications where traditional military circular connectors are too large or too heavy. The double-start threads provide full mating in 1½ turns, and the plug features an anti-decoupling spring for vibration resistance. The unique integral molding/band platform allows direct shield attachment and cable overmolding. Receptacles are available with printed circuit board contacts. Plugs have anti-decoupling wave spring, or specify ratchet mechanism for added security.

- Double-Start ACME Thread with anti-decoupling spring or ratchet
- Special Purpose PFA (Teflon) Insulators
- Crimp Rear Release Contacts
- Integral Band Platform
- Supplied with Size #23 Gold-Plated Copper Alloy Crimp, PCB, or Solder Cup Contacts
- Environmentally Sealed

P



### High-Speed Performance

Series 801 High-Speed Mighty Mouse connectors are constructed with a rear grommet for environmental sealing. This grommet can be removed in order to maintain the construction of the matched impedance pair cable for a longer distance inside the connector for improved high-speed performance (see tables below.) However, removal of the grommet affects environmental sealing. For optimal high-speed performance and environmental sealing, Glenair recommends our factory-terminated overmolded cordsets. Full ordering information begins on page P-13.



Factory-terminated overmolded cordsets for optimal high-speed performance and environmental sealing: See page B-12

With Grommet Removed	
High Speed Performance	
Impedance	100 Ω ±7 Ω at 100-Picosecond
VSWR	<1.4 up to 4-GHz
Insertion Loss	
1 GHz	.51 dB
2 GHz	.53 dB
3 GHz	.57 dB
4 GHz	1.2 dB
5 GHz	1.25 dB

With Grommet Intact	
High Speed Performance	
Impedance	100 Ω ±15 Ω at 100-Picosecond
VSWR	<1.5 up to 3-GHz
Insertion Loss	
1 GHz	.73 dB
2 GHz	.76 dB
3 GHz	.85 dB

In order to achieve high speed performance, this connector must be mated to another high speed Mighty Mouse connector.

Dimensions in Inches (millimeters) are subject to change without notice.

# Series 801 Mighty Mouse High-Speed Double-Start ACME Thread Connectors

## General information



Series 801  
High-Speed

**Double-Start ACME Threads** resist cross-threading and shearing. These aerospace-grade Series 801 plugs feature 1½ turns of the coupling nut to full mating.

**Two Shell Styles:** Integral platform for direct shield attachment using Band-Master™ ATS advanced termination system, or accessory thread for attaching a strain relief.

**Crimp, Rear Release** contact system, with #23 contacts.

**Printed Circuit Board and Solder Cup** versions with precision machined low profile shells.

**Harsh Environment:** fluorosilicone seals, aluminum or stainless steel shells, and gold-plated copper alloy contacts for superior performance in demanding applications.

**High Speed:** Special purpose PFA (Teflon) insulators deliver superior impedance, VSWR and insertion loss values.

Specifications	
Current Rating	5 AMPS
Dielectric Withstanding Voltage	500 VAC
Insulation Resistance	5000 megohms minimum
Operating Temperature	-65° C. to +175° C.
Shock	300 g.
Vibration	37 g.
Shielding Effectiveness	55 dB minimum from 100MHz to 1000MHz.
Durability	2000 mating cycles

Materials and Finishes	
Shells, Jam Nuts	Aluminum alloy or stainless steel
Contacts	Copper alloy, 50 µInch gold plated
Insulators	PFA
Contact Retention Clip	Beryllium copper alloy
Interfacial Seal, O-rings, Wire Sealing Grommet	Fluorosilicone rubber

Mighty Mouse High Speed Contact Arrangements Mating Face View of Pin Connector (Socket Connector Numbers are Reversed)		
<b>6 - 4</b> Shell Size 6 4 Size #23 Contacts	<b>6 - 7</b> Shell Size 6 7 Size #23 Contacts	<b>7 - 10</b> Shell Size 7 10 Size #23 Contacts
<b>9 - 19</b> Shell Size 9 19 Size #23 Contacts	<b>10 - 26</b> Shell Size 10 26 Size #23 Contacts	

Table IV: Shell Key Positions			
	Key Position	Key Rotation	
		A°	B°
	Normal (A)	150°	210°
	B	75°	210°
	C	95°	230°
	D	140°	275°
	E	75°	275°
	F	95°	210°

Dimensions in Inches (millimeters) are subject to change without notice.





# Series 801 Mighty Mouse High-Speed Double-Start ACME Threads Plug Connector 801-036 and 801-039 Ordering Information



**Glenair Series 801 Mighty Mouse High-Speed** connectors feature double-start modified stub ACME mating threads for improved protection against cross-mating and thread damage. Connector shells are machined aluminum or stainless steel. The connector is equipped with special PFA (Teflon) insulators and is optimized for use with high-speed differential wire such as our 963-001 cable. Five insert arrangements are offered with 4, 7, 10, 19 and 26 #23 AWG contacts, packaged separately. Terminate contacts with standard M22520 tools. Metal clips inside the connector body lock contact into place. Contacts are removable. Fluorosilicone seals and rear grommet protect connector from water ingress. Terminate cable shield directly to connector body with Band-Master™ ATS strap, or choose rear accessory thread to attach optional cable clamp or backshell.

P

How To Order						
<b>Sample Part Number</b>	<b>801-036</b>	<b>-16</b>	<b>M</b>	<b>7-10</b>	<b>P</b>	<b>A</b>
<b>Series (See Table I)</b>	<b>801-036</b> = Banding Platform <b>801-039</b> = Rear Accessory Thread					
<b>Shell Style</b>	<b>-16</b> = Plug with Anti-Decoupling Spring <b>-26</b> = Self-Locking Plug with Ratchet Mechanism					
<b>Shell Material and Finish</b>	<b>M</b> = Aluminum / Electroless Nickel RoHS Compliant <b>NF</b> = Aluminum / Cadmium with Olive Drab Chromate <b>ZNU</b> = Aluminum / Zinc-Nickel with Black Chromate <b>MT</b> = Aluminum / Nickel-PTFE RoHS Compliant <b>Z1</b> = Stainless Steel / Passivated RoHS Compliant					
<b>Shell Size - Insert Arrangement (See Table II)</b>	<b>6-4, 6-7, 7-10, 9-19, 10-26</b>					
<b>Contact Type</b>	<b>Connector supplied with contacts</b> <b>P</b> = Pin <b>S</b> = Socket Connectors with contacts are supplied with signal and/or power crimp contacts. These contacts are not installed. Coaxial contacts and non-standard signal contacts are ordered separately.		<b>Connector supplied without contacts</b> <b>A</b> = Pin Connector, less contacts <b>B</b> = Socket Connector, less contacts			
<b>Shell Key Positions (See Table II)</b>	<b>A</b> = Normal <b>B</b> = Pos. B <b>C</b> = Pos. C <b>D</b> = Pos. D <b>E</b> = Pos. F <b>F</b> = Pos. F					

Table I: Series	
<b>801-036</b> Plug with Banding Platform	<b>801-039</b> Plug with Accessory Thread

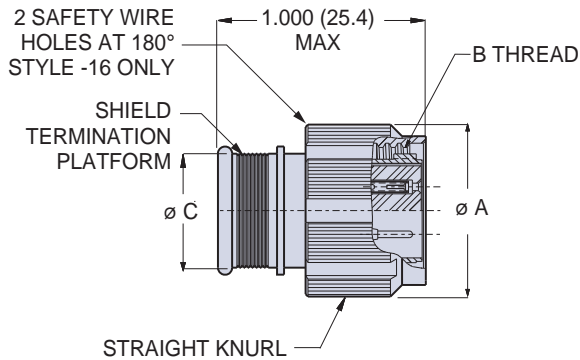
Table II: Shell Size – Insert Arrangement				
<b>6-4</b>	<b>6-7</b>	<b>7-10</b>	<b>9-19</b>	<b>10-26</b>

Dimensions in Inches (millimeters) are subject to change without notice.

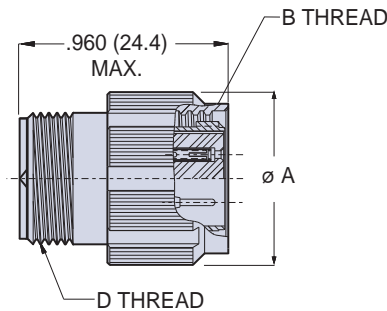
# Series 801 Mighty Mouse High-Speed Double-Start ACME Threads 801-036 and 801-039 Dimensions



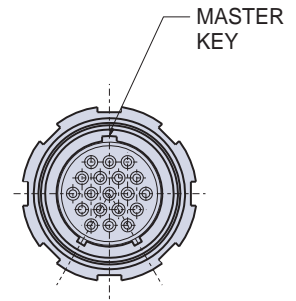
Series 801  
High-Speed



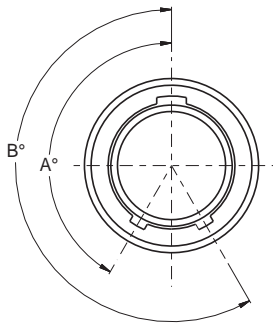
**Integral Band Platform**  
801-036



**Accessory Thread**  
801-039



**Table III: Shell Key Positions**



Key Position	Key Rotation	
	A°	B°
Normal (A)	150°	210°
B	75°	210°
C	95°	230°
D	140°	275°
E	75°	275°
F	95°	210°

**Dimensions**

Shell Size	Style 16		Style 26		B Thread	Ø C		D Thread UNE-F-2A
	Ø A		Ø A			In.	mm.	
	In.	mm.	In.	mm.				
6	.60	15.2	.70	17.8	.3750-.05P-1L-2B	.290	7.4	.3125-32
7	.69	17.5	.79	20.1	.4375-.05P-1L-2B	.390	9.9	.4375-28
9	.81	20.6	.92	23.4	.5625-.05P-1L-2B	.500	12.7	.5625-24
10	.88	22.4	.98	24.9	.6250-.05P-1L-2B	.560	14.2	.6250-24

**With Grommet Removed**

High Speed Performance	
Impedance	100 Ω ± 7 Ω at 100-Picosecond
VSWR	<1.4 up to 4-GHz
Insertion Loss	
1 GHz	.51 dB
2 GHz	.53 dB
3 GHz	.57 dB
4 GHz	1.2 dB
5 GHz	1.25 dB

**With Grommet Intact**

High Speed Performance	
Impedance	100 Ω ± 15 Ω at 100-Picosecond
VSWR	<1.5 up to 3-GHz
Insertion Loss	
1 GHz	.73 dB
2 GHz	.76 dB
3 GHz	.85 dB

In order to achieve high speed performance, this connector must be mated to another high speed Mighty Mouse connector.

## NOTES

### Material and Finish

- Plug Barrel, Coupling Nut: Aluminum Alloy or Stainless Steel
- Insulator: PFA
- Interfacial Seal, Grommet Seal: Fluorosilicone
- Contact: Copper Alloy, 50 Microinch Gold Plated per ATSM B 488, Type II, Code C, Class 1.25 (.00005 Min THK), over a suitable underplate.

Dimensions in Inches (millimeters) are subject to change without notice.





# Series 801 Mighty Mouse High-Speed Connectors

## Crimp Receptacle Connector with Double-Start ACME Threads

### 801-037 and 801-040 Ordering Information



**In-Line**  
Shell Style 01



**Rear Panel Jam Nut Mount**  
Shell Style 07



**Square Flange Mount**  
Shell Style 02

How To Order						
<b>Sample Part Number</b>	<b>801-037</b>	<b>-02</b>	<b>Z1</b>	<b>6-4</b>	<b>S</b>	<b>A</b>
<b>Series (See Table I)</b>	<b>801-037</b> = Receptacle with Banding Platform <b>801-040</b> = Receptacle with Accessory Thread					
<b>Shell Style (See Table II)</b>	<b>-01</b> = In-Line For Free-Hanging Cables <b>-02</b> = Square Flange For Front or Rear Mounting <b>-07</b> = Jam Nut For Rear Panel Mounting					
<b>Shell Material and Finish</b>	<b>M</b> = Aluminum / Electroless Nickel RoHS Compliant <b>NF</b> = Aluminum / Cadmium with Olive Drab Chromate <b>ZNU</b> = Aluminum / Zinc-Nickel with Black Chromate <b>MT</b> = Aluminum / Nickel-PTFE RoHS Compliant <b>Z1</b> = Stainless Steel / Passivated RoHS Compliant					
<b>Shell Size - Insert Arrangement (See Table III)</b>	<b>6-4, 6-7, 7-10, 9-19, 10-26</b>					
<b>Contact Type</b>	<b>Connector supplied with contacts</b> <b>P</b> = Pin <b>S</b> = Socket	<b>Connector supplied without contacts</b> <b>A</b> = Pin Connector <b>B</b> = Socket Connector	<b>Connector Supplied with 30 AWG Crimp Barrel</b> <b>G</b> = Pin <b>H</b> = Socket			
<b>Shell Key Positions (See Table IV)</b>	<b>A</b> = Normal <b>B</b> = Pos. B <b>C</b> = Pos. C <b>D</b> = Pos. D <b>E</b> = Pos. E <b>F</b> = Pos. F					

P

Table I: Series	
<b>801-037</b> Receptacle with Banding Platform	<b>801-040</b> Receptacle with Accessory Thread

Table II: Shell Style		
<b>-01</b> In-Line	<b>-02</b> Square Flange	<b>-07</b> Jam Nut for Rear Panel Mounting

Table IV: Shell Key Positions		
Key Position	Key Rotation	
	A°	B°
Normal (A)	150°	210°
B	75°	210°
C	95°	230°
D	140°	275°
E	75°	275°
F	95°	210°

Table III: Shell Size - Insert Arrangement				
<b>6-4</b>	<b>6-7</b>	<b>7-10</b>	<b>9-19</b>	<b>10-26</b>

Dimensions in Inches (millimeters) are subject to change without notice.

# Series 801 Mighty Mouse High-Speed Connectors

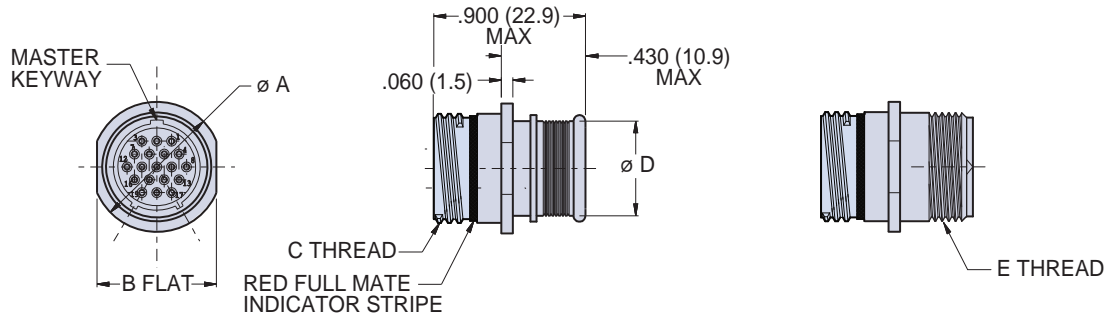
## Crimp Receptacle Connector with Double-Start ACME Threads

### 801-037 and 801-040 Ordering Information



Series 801  
High-Speed

### In-line receptacle - shell style 01



**Integral Band Platform**  
801-037-01

**Accessory Thread**  
801-040-01

Dimensions								
Shell Size	Ø A		B Flat		C Thread	Ø D		E Thread UNEF-2A
	In.	mm.	In.	mm.		In.	mm.	
6	.415	10.54	.385	9.78	.375-.05P-1L-2A	.290	7.37	.3125-32
7	.480	12.19	.445	11.30	.4375-.05P-1L-2A	.390	9.91	.4375-28
9	.605	15.37	.575	14.61	.5625-.05P-1L-2A	.500	12.70	.5625-24
10	.655	16.64	.635	16.13	.6250-.05P-1L-2A	.560	14.22	.6250-24

With Grommet Removed	
High Speed Performance	
Impedance	100 Ω ± 7 Ω at 100-Picosecond
VSWR	<1.4 up to 4-GHz
Insertion Loss	
1 GHz	.51 dB
2 GHz	.53 dB
3 GHz	.57 dB
4 GHz	1.2 dB
5 GHz	1.25 dB

With Grommet Intact	
High Speed Performance	
Impedance	100 Ω ± 15 Ω at 100-Picosecond
VSWR	<1.5 up to 3-GHz
Insertion Loss	
1 GHz	.73 dB
2 GHz	.76 dB
3 GHz	.85 dB

In order to achieve high speed performance, this connector must be mated to another high speed Mighty Mouse connector.

### NOTES

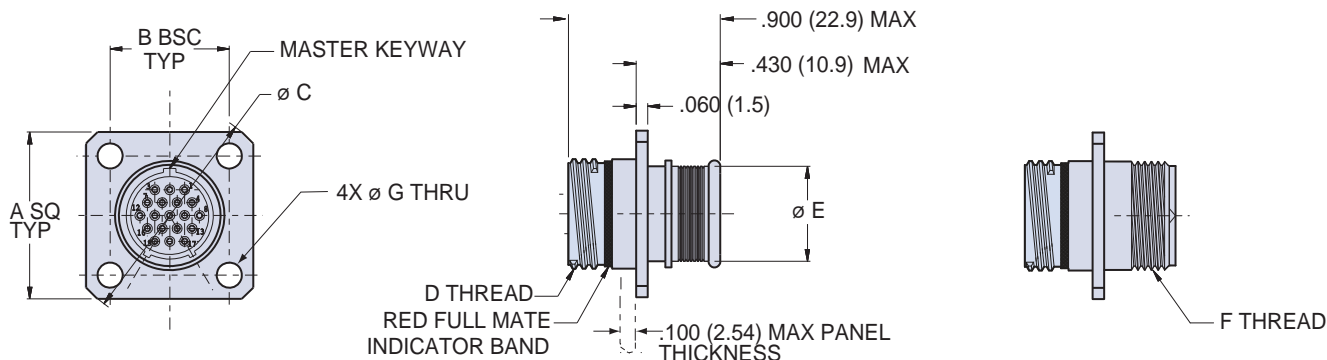
#### Material and Finish

- Plug Barrel, Coupling Nut: Aluminum Alloy or Stainless Steel
- Insulator: PFA
- Interfacial Seal, Grommet Seal: Fluorosilicone
- Contact: Copper Alloy, 50 Microinch Gold Plated per ATSM B 488, Type II, Code C, Class 1.25 (.00005 Min THK), over a suitable underplate.

Dimensions in Inches (millimeters) are subject to change without notice.



### Square flange, front or rear mount receptacle - shell style 02



#### Integral Band Platform

801-037-02

#### Accessory Thread

801-040-02

#### Dimensions

Shell Size	A SQ		B BSC		Ø C		D Thread	Ø E		F Thread UNEF-2A	Ø G	
	In.	mm.	In.	mm.	In.	mm.		In.	mm.		In.	mm.
6	.590	14.99	.423	10.74	.750	19.05	.3750-.05P-1L-2A	.290	7.37	.3125-32	.096	2.44
7	.650	16.51	.483	12.27	.850	21.59	.4375-.05P-1L-2A	.390	9.91	.4375-28	.091	2.31
9	.850	21.59	.607	15.4	1.125	28.56	.5625-.05P-1L-2A	.500	12.70	.5625-24	.130	3.30
10	.890	22.61	.670	17.0	1.188	30.18	.6875-.05P-1L-2A	.560	14.22	.6250-24	.126	3.20

#### With Grommet Removed

##### High Speed Performance

Impedance	100 Ω ±7 Ω at 100-Picosecond
VSWR	<1.4 up to 4-GHz
Insertion Loss	
1 GHz	.51 dB
2 GHz	.53 dB
3 GHz	.57 dB
4 GHz	1.2 dB
5 GHz	1.25 dB

#### With Grommet Intact

##### High Speed Performance

Impedance	100 Ω ±15 Ω at 100-Picosecond
VSWR	<1.5 up to 3-GHz
Insertion Loss	
1 GHz	.73 dB
2 GHz	.76 dB
3 GHz	.85 dB

In order to achieve high speed performance, this connector must be mated to another high speed Mighty Mouse connector.

#### Panel Cutout Dimensions

Shell Size	Ø G		Ø H Bsc		Ø R	
	In.	mm.	In.	mm.	In.	mm.
6	.096	2.44	.423	10.74	.390	9.91
7	.091	2.31	.483	12.27	.450	11.43
9	.130	3.30	.607	15.42	.575	14.61
10	.126	3.20	.670	17.02	.640	16.26

#### NOTES

##### Material and Finish

- Plug Barrel, Coupling Nut: Aluminum Alloy or Stainless Steel
- Insulator: PFA
- Interfacial Seal, Grommet Seal: Fluorosilicone
- Contact: Copper Alloy, 50 Microinch Gold Plated per ATSM B 488, Type II, Code C, Class 1.25 (.00005 Min THK), over a suitable underplate.

Dimensions in Inches (millimeters) are subject to change without notice.

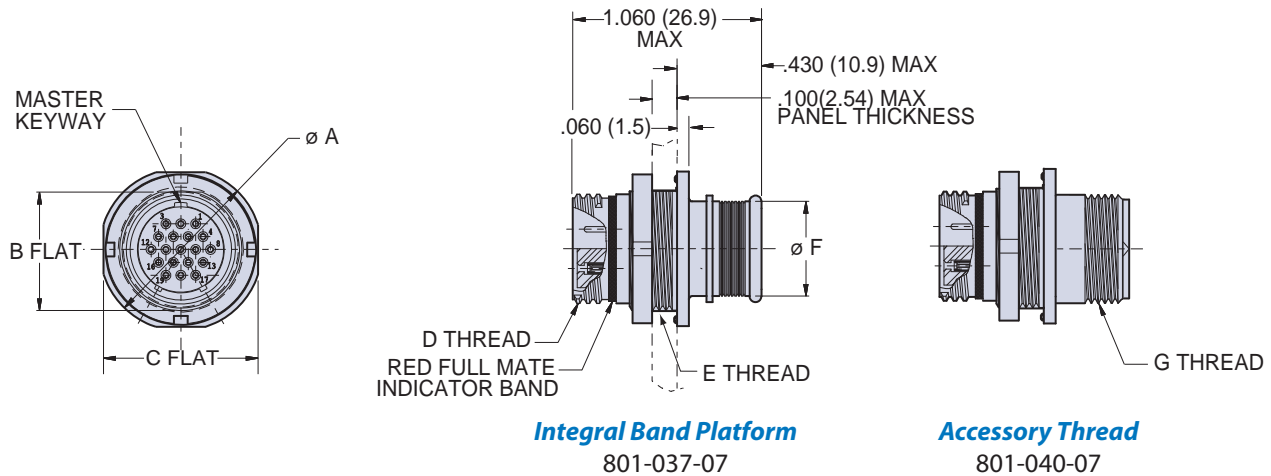
# Series 801 Mighty Mouse High-Speed Double-Start ACME Thread Receptacle

## 801-037 and 801-040-01 Shell Style -07 Dimensions



Series 801  
High-Speed

### Jam nut, rear panel mount receptacle - shell style 07



Dimensions												
Shell Size	$\varnothing A$		B Flat		C Flat		D Thread	E Thread	$\varnothing F$		G Thread UN-2A	
	In.	mm.	In.	mm.	In.	mm.			In.	mm.	In.	mm.
6	.635	16.13	.410	10.41	.595	15.11	.3750-.05P-.1L-2A	.4375-28 UNEF-2A	.290	7.37	.3125-32	.3125-32
7	.755	19.18	.536	13.61	.723	18.36	.4375-.05P-.1L-2A	.5625-32 UN-2A	.390	9.91	.4375-28	.4375-28
9	.830	21.08	.596	15.14	.790	20.07	.5625-.05P-.1L-2A	.6250-28 UN-2A	.500	12.70	.5625-24	.5625-24
10	.890	22.61	.658	16.71	.855	21.72	.6250-.05P-.1L-2A	.6875-28 UN-2A	.560	14.22	.6250-24	.6250-24

With Grommet Removed	
High Speed Performance	
Impedance	100 $\Omega$ $\pm$ 7 $\Omega$ at 100-Picosecond
VSWR	<1.4 up to 4-GHz
Insertion Loss	
1 GHz	.51 dB
2 GHz	.53 dB
3 GHz	.57 dB
4 GHz	1.2 dB
5 GHz	1.25 dB

Series 801 Jam Nut Panel Cutout				
Shell Size	A Flat		$\varnothing B$	
	In. $\pm$ .002	mm. $\pm$ 0.05	In. $\pm$ .002	mm. $\pm$ 0.05
6	.418	10.62	.448	11.37
	.414	10.52		
7	.544	13.82	.573	14.55
	.540	13.72		
9	.604	13.34	.635	16.13
	.600	15.24		
10	.668	16.97	.698	17.73
	.664	16.87		

With Grommet Intact	
High Speed Performance	
Impedance	100 $\Omega$ $\pm$ 15 $\Omega$ at 100-Picosecond
VSWR	<1.5 up to 3-GHz
Insertion Loss	
1 GHz	.73 dB
2 GHz	.76 dB
3 GHz	.85 dB

### NOTES

#### Material and Finish

- Plug Barrel, Coupling Nut: Aluminum Alloy or Stainless Steel
- Insulator: PFA
- Interfacial Seal, Grommet Seal: Fluorosilicone
- Contact: Copper Alloy, 50 Microinch Gold Plated per ATSM B 488, Type II, Code C, Class 1.25 (.00005 Min THK), over a suitable underplate.

In order to achieve high speed performance, this connector must be mated to another high speed Mighty Mouse connector.

Dimensions in Inches (millimeters) are subject to change without notice.





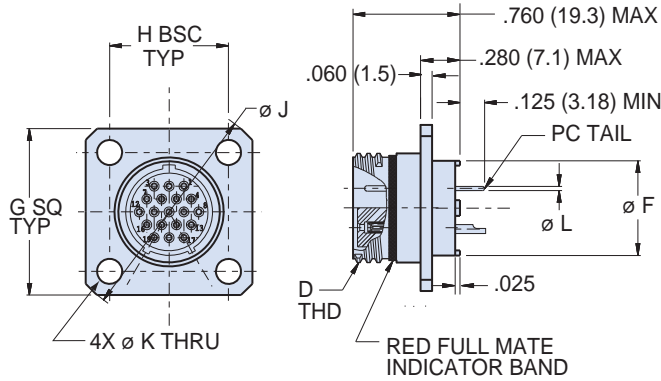
# Series 801 Mighty Mouse High-Speed Double-Start ACME Threads

801-038-02 Square Flange and 801-038-07 Jam Nut Dimensions



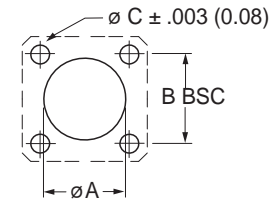
Series 801  
High-Speed

## Square flange front or rear panel mount receptacle - shell style 02



801-038-02  
Square Flange

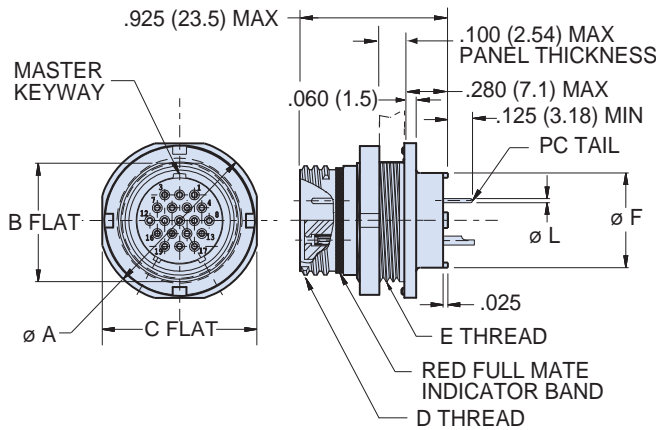
### Square Flange Panel Cutout



### 02 Square Flange

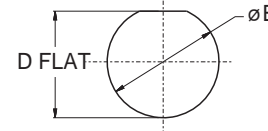
Shell Size	Ø A		B BSC		Ø C	
	In.	mm.	In.	mm.	In.	mm.
6	.390	9.91	.423	10.74	.096	2.44
7	.450	11.43	.483	12.27	.091	2.31
9	.575	14.61	.607	15.42	.130	3.30
10	.640	16.26	.670	17.02	.126	3.20

## Jam nut rear panel mount receptacle - shell style 07



Jam Nut  
801-038-07

### Jam Nut Panel Cutout



### 07 Jam Nut

Shell Size	D Flat		Ø E	
	In. ± .002	mm.	In. ± .002	mm. ± 0.0
6	.416	10.57	.448	11.38
7	.542	13.77	.573	14.55
9	.602	15.29	.635	16.13
10	.666	16.92	.698	17.73

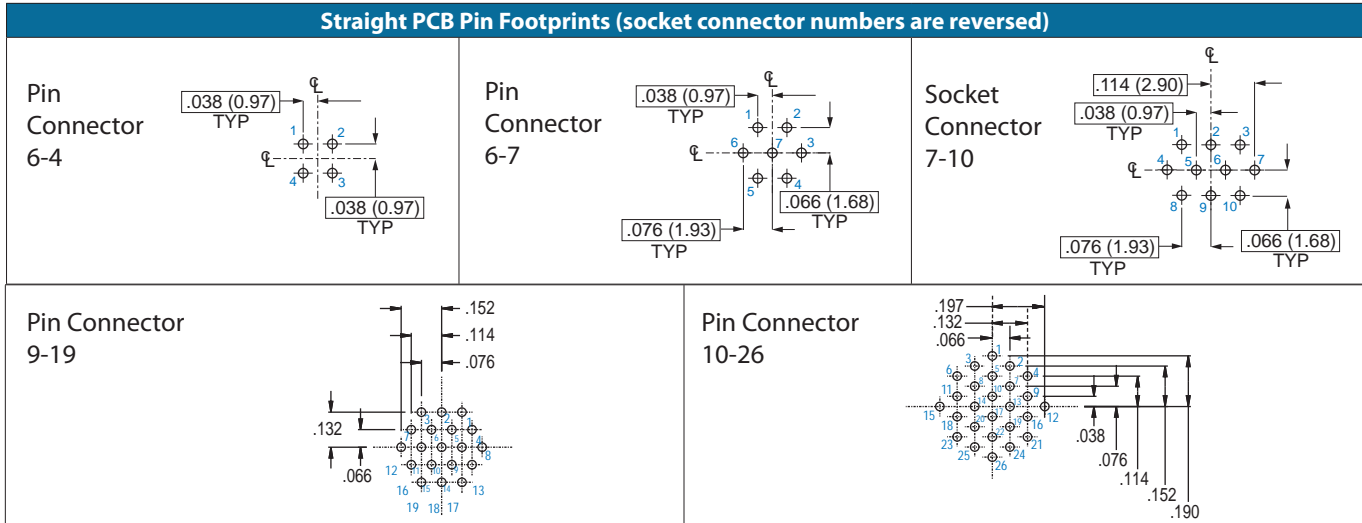
P

### Dimensions

Shell Size	Ø A		B Flat		C Flat		D Thread	E Thread	Ø F		G Sq.		H BSC		Ø J		K Holes		Ø L Tail Dia.
	In.	mm.	In.	mm.	In.	mm.			In.	mm.	In.	mm.	In.	mm.	In.	mm.	In.	mm.	
6	.635	16.13	.410	10.41	.595	15.11	.3750-.05P-.1L-2A	.4375-28 UNEF-2A	.330	8.38	.590	14.99	.423	10.74	.750	19.05	.096	2.44	#23 .018/.022 (0.46/0.56)
7	.755	19.18	.536	13.61	.723	18.36	.4375-.05P-.1L-2A	.5625-32 UN-2A	.432	10.97	.650	16.51	.483	12.27	.850	21.59	.091	2.31	
9	.830	21.08	.596	15.14	.790	20.07	.5625-.05P-.1L-2A	.6250-28 UN-2A	.551	14.00	.850	21.59	.607	15.42	1.125	28.58	.130	3.30	
10	.890	22.61	.658	16.71	.855	21.72	.6250-.05P-.1L-2A	.6875-28 UN-2A	.620	15.75	.890	22.61	.670	17.02	1.188	30.18	.126	3.20	

Dimensions in Inches (millimeters) are subject to change without notice.

**Square flange and jam nut PCB footprints**



**NOTES**

*Material and Finish*

- Plug Barrel, Coupling Nut: Aluminum Alloy or Stainless Steel
- Insulator: PFA  
Potting Compound: Epoxy
- Interfacial Seal, Grommet Seal: Fluorosilicone
- Contact: Copper Alloy/Gold Plate

**High Speed Performance**

Impedance	100 Ω ±20 Ω at 200-Picosecond
Insertion Loss	
500 MHz	.71 dB
1 GHz	1.55 dB
1.5 GHz	2.75 dB
2 GHz	1.00 dB

**Note:**

See Glenair test report QTR-013 for full high-speed characterization

Dimensions in Inches (millimeters) are subject to change without notice.

# Series 801 eSATA Cordsets

## Mighty Mouse High-Speed Back-to-Back Connector with Double-Start ACME Threads

### 801-045 Ordering Information

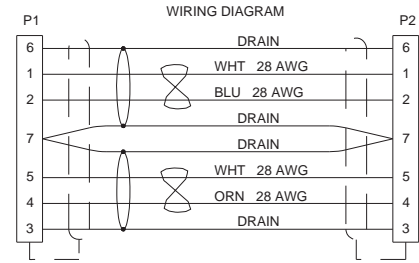


Series 801  
High-Speed

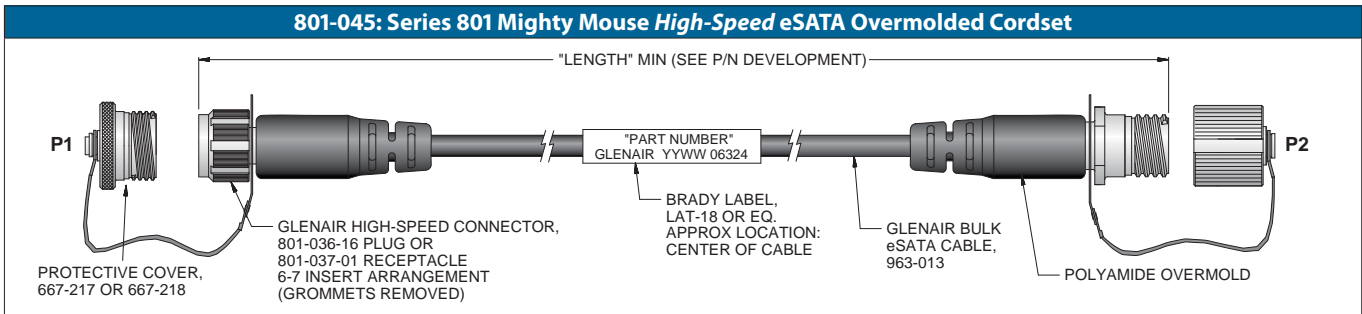


#### Series 801 High-Speed cordsets

For optimal data transmission performance and environmental sealing, choose Glenair high-speed cordsets. Factory-terminated connectors have rear grommets removed to maintain the construction of the matched-impedance pair cable through the connector for improved high-speed performance. Choose "Back to Back" versions with Series 80 Mighty Mouse High-Speed connectors on both ends, or cordsets terminated to industry-standard commercial connectors. Order with or without metal protective covers. All cordsets are 100% electrically tested.



#### 801-045: Series 801 Mighty Mouse High-Speed eSATA Overmolded Cordset



How To Order									
<b>Sample Part Number</b>	<b>801-045</b>	<b>-A</b>	<b>D</b>	<b>4</b>	<b>NF</b>	<b>6-7</b>	<b>N</b>	<b>A</b>	<b>-48</b>
<b>Series</b>	801-045 = Back-to-Back eSATA Overmolded cordset.								
<b>P1 Connector</b>	-A = Plug with Pin Contacts -B = Plug with Socket Contacts -C = Receptacle with Pin Contacts -D = Receptacle with Socket Contacts								
<b>P2 Connector</b>	A = Plug with Pin Contacts      B = Plug with Socket Contacts C = Receptacle with Pin Contacts      D = Receptacle with Socket Contacts N = No Connector (Single-Ended)								
<b>Wire Size</b>	4 = #28 AWG								
<b>Shell Material / Finish</b>	M = Aluminum / Electroless Nickel RoHS Compliant NF = Aluminum / Cadmium with Olive Drab Chromate ZNU = Aluminum / Zinc-Nickel with Black Chromate MT = Aluminum / Nickel-PTFE, RoHS Compliant Z1 = Stainless Steel / Passivated RoHS Compliant								
<b>Insert Arr.</b>	6-7								
<b>Protective Cover</b>	P = Metal Protective Covers Included    N = No Covers Supplied								
<b>Shell Key Pos. (See Page N3)</b>	A (Normal), B, C, D, E, F								
<b>Length</b>	Overall Length In Inches 78" Max								

Dimensions in Inches (millimeters) are subject to change without notice.



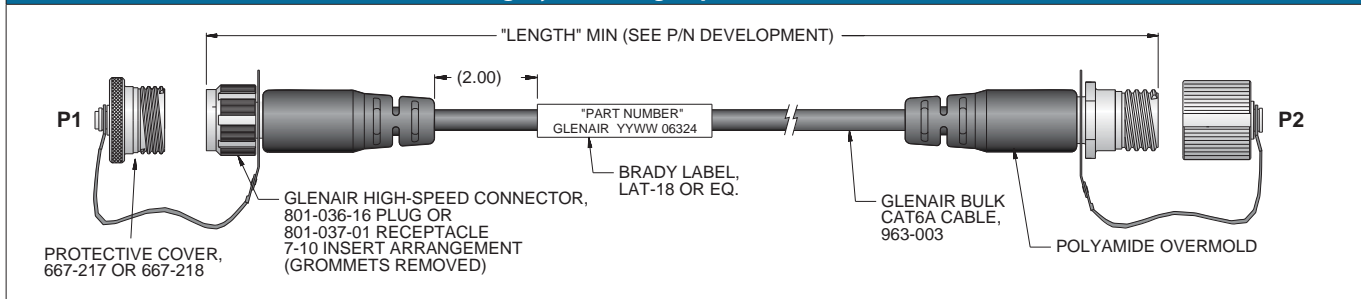


# Series 801 10GBASE-T Cat 6a Ethernet Cordsets

## Mighty Mouse High-Speed Back-to-Back Connector with Double-Start ACME Threads

### 801-046 Ordering Information

#### 801-046: Series 801 Mighty Mouse High-Speed 10GBASE-T Overmolded Cordset



#### How To Order

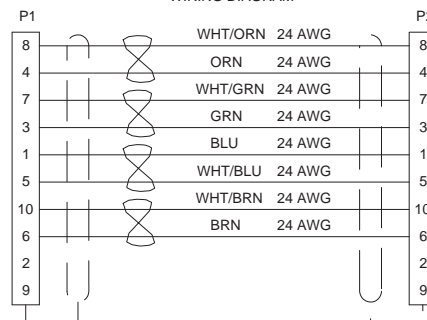
<b>Sample Part Number</b>	<b>801-046</b>	<b>-A</b>	<b>D</b>	<b>NF</b>	<b>N</b>	<b>A</b>	<b>-48</b>
<b>Series</b>	801-046 = Back-to-Back eSATA Overmolded cordset.						
<b>P1 Connector</b>	-A = Plug with Pin Contacts -B = Plug with Socket Contacts -C = Receptacle with Pin Contacts -D = Receptacle with Socket Contacts						
<b>P2 Connector</b>	A = Plug with Pin Contacts B = Plug with Socket Contacts C = Receptacle with Pin Contacts D = Receptacle with Socket Contacts N = No Connector (Single-Ended)						
<b>Shell Material / Finish</b>	M = Aluminum / Electroless Nickel RoHS Compliant NF = Aluminum / Cadmium with Olive Drab Chromate ZNU = Aluminum / Zinc-Nickel with Black Chromate MT = Aluminum / Nickel-PTFE, RoHS Compliant Z1 = Stainless Steel / Passivated RoHS Compliant						
<b>Protective Cover</b>	P = Metal Protective Covers Included N = No Covers Supplied						
<b>Shell Key Position (See Table I)</b>	A (Normal), B, C, D, E, F						
<b>Length</b>	Overall Length In Inches						

#### Table I: Shell Key Positions

Key Position	Key Rotation	
	A°	B°
Normal (A)	150°	210°
B	75°	210°
C	95°	230°
D	140°	275°
E	75°	275°
F	95°	210°

P

#### WIRING DIAGRAM



Dimensions in Inches (millimeters) are subject to change without notice.

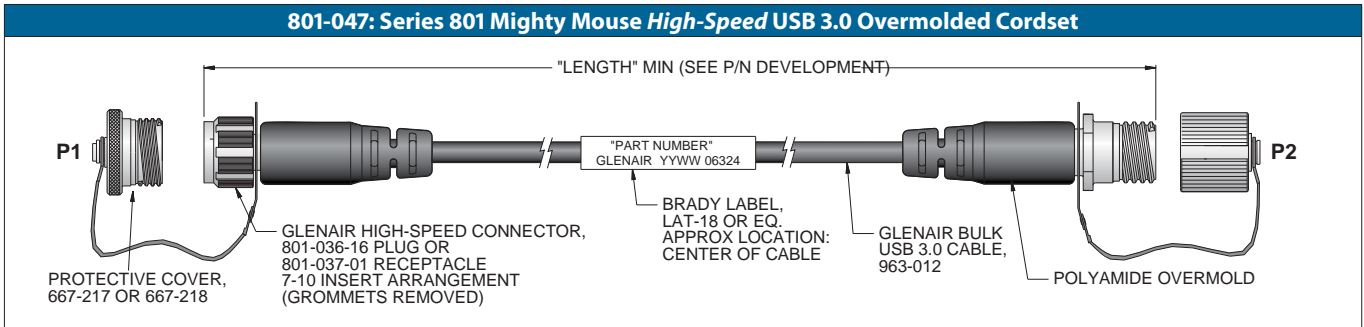
# Series 801 USB 3.0 Cordsets

## Mighty Mouse High-Speed Back-to-Back Connector with Double-Start ACME Threads

### 801-047 Ordering Information



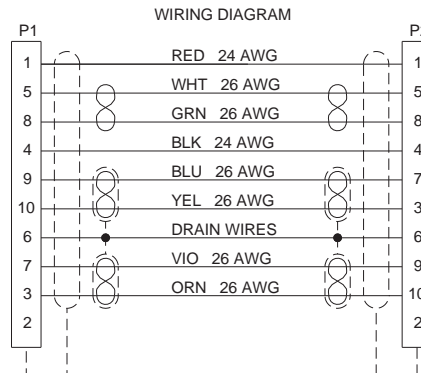
Series 801  
High-Speed



How To Order							
Sample Part Number	801-047	-A	D	NF	N	A	-48
Series	801-047 = Series 801 Mighty Mouse Back-to-Back USB 3.0 Overmolded cordset.						
P1 Connector	-A = Plug with Pin Contacts -B = Plug with Socket Contacts -C = Receptacle with Pin Contacts -D = Receptacle with Socket Contacts						
P2 Connector	A = Plug with Pin Contacts B = Plug with Socket Contacts C = Receptacle with Pin Contacts D = Receptacle with Socket Contacts N = No Connector (Single-Ended)						
Shell Material / Finish	M = Aluminum / Electroless Nickel RoHS Compliant NF = Aluminum / Cadmium with Olive Drab Chromate ZNU = Aluminum / Zinc-Nickel with Black Chromate MT = Aluminum / Nickel-PTFE, RoHS Compliant Z1 = Stainless Steel / Passivated RoHS Compliant						
Protective Cover	P = Metal Protective Covers Included N = No Covers Supplied						
Shell Key Position (See Table I)	A (Normal), B, C, D, E, F						
Length	Overall Length In Inches 118" Max						

Table I: Shell Key Positions

Key Position	Key Rotation	
	A°	B°
Normal (A)	150°	210°
B	75°	210°
C	95°	230°
D	140°	275°
E	75°	275°
F	95°	210°



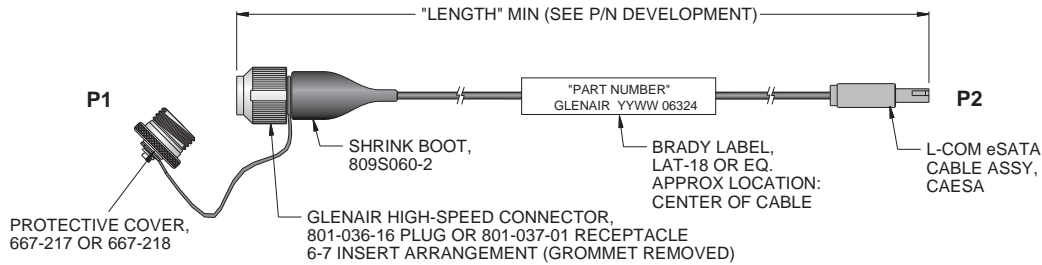
Dimensions in Inches (millimeters) are subject to change without notice.



# Series 801 eSATA Cordsets

Mighty Mouse *High-Speed* Connector to L-COM eSATA Connector  
with Double-Start ACME Threads  
801-076 Ordering Information

## 801-076: Series 801 Mighty Mouse *High-Speed* eSATA Overmolded Cordset

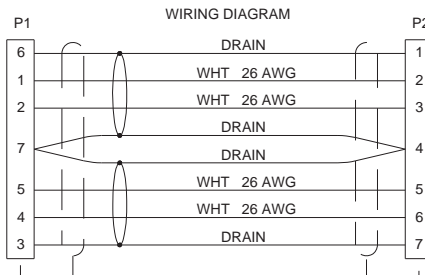


### How To Order

Sample Part Number	801-076	-A	NF	N	A	-48
Series	801-076 = Series 801 Mighty Mouse to L-COM eSATA cordset					
P1 Connector	-A = Plug with Pin Contacts -B = Plug with Socket Contacts -C = Receptacle with Pin Contacts -D = Receptacle with Socket Contacts					
Shell Material / Finish	M = Aluminum / Electroless Nickel RoHS Compliant NF = Aluminum / Cadmium with Olive Drab Chromate ZNU = Aluminum / Zinc-Nickel with Black Chromate MT = Aluminum / Nickel-PTFE, RoHS Compliant Z1 = Stainless Steel / Passivated RoHS Compliant					
Protective Cover	P = Metal Protective Covers Included N = No Covers Supplied					
Shell Key Position (See Table I)	A (Normal), B, C, D, E, F					
Length	Overall Length In Inches 76" Max					

Table I: Shell Key Positions

Key Position	Key Rotation	
	A°	B°
Normal (A)	150°	210°
B	75°	210°
C	95°	230°
D	140°	275°
E	75°	275°
F	95°	210°



Dimensions in Inches (millimeters) are subject to change without notice.

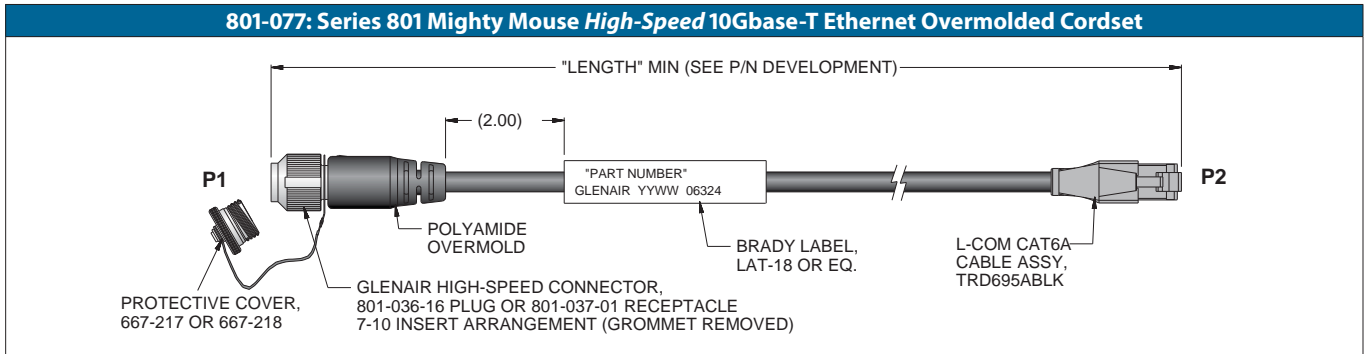
# Series 801 10GBase-T Ethernet Cat 6a Cordsets

## Mighty Mouse High-Speed Connector to L-COM 10GBASE-T Ethernet Connector with Double-Start ACME Threads

### 801-077 Ordering Information



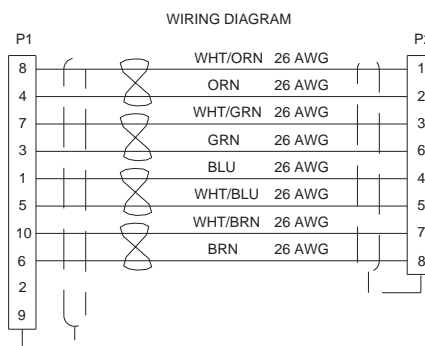
Series 801  
High-Speed



How To Order	
Sample Part Number	801-077 -A NF N A -48
Series	801-077 = Series 801 Mighty Mouse to L-COM Cat 6a cordset
P1 Connector	-A = Plug with Pin Contacts -B = Plug with Socket Contacts -C = Receptacle with Pin Contacts -D = Receptacle with Socket Contacts
Shell Material / Finish	M = Aluminum / Electroless Nickel RoHS Compliant NF = Aluminum / Cadmium with Olive Drab Chromate ZNU = Aluminum / Zinc-Nickel with Black Chromate MT = Aluminum / Nickel-PTFE, RoHS Compliant Z1 = Stainless Steel / Passivated RoHS Compliant
Protective Cover	P = Metal Protective Covers Included N = No Covers Supplied
Shell Key Position (See Table I)	A (Normal), B, C, D, E, F
Length	Overall Length In Inches

**Table I: Shell Key Positions**

Key Position	Key Rotation	
	A°	B°
Normal (A)	150°	210°
B	75°	210°
C	95°	230°
D	140°	275°
E	75°	275°
F	95°	210°



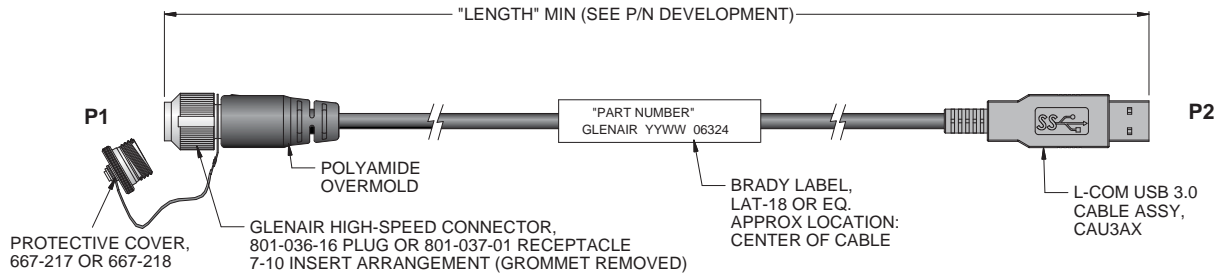
Dimensions in Inches (millimeters) are subject to change without notice.



# Series 801 USB 3.0 Cordsets

Mighty Mouse *High-Speed* Connector to L-COM eSATA Connector  
with Double-Start ACME Threads  
801-078 Oding Information

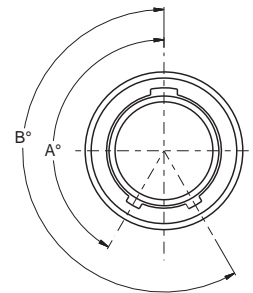
## 801-078: Series 801 Mighty Mouse High-Speed USB 3.0 Overmolded Cordset



### How To Order

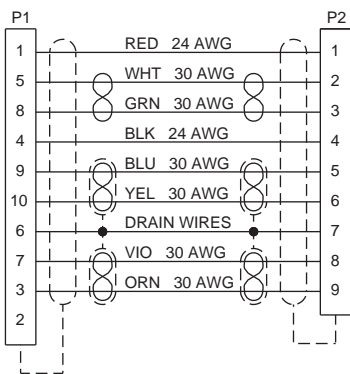
Sample Part Number	801-078	-A	NF	N	A	-48	X
<b>Series</b>	801-078 = Series 801 Mighty Mouse to L-COM USB 3.0 cordset						
<b>P1 Connector</b>	-A = Plug with Pin Contacts -B = Plug with Socket Contacts -C = Receptacle with Pin Contacts -D = Receptacle with Socket Contacts						
<b>Shell Material / Finish</b>	M = Aluminum / Electroless Nickel RoHS Compliant NF = Aluminum / Cadmium with Olive Drab Chromate ZNU = Aluminum / Zinc-Nickel with Black Chromate MT = Aluminum / Nickel-PTFE, RoHS Compliant Z1 = Stainless Steel / Passivated RoHS Compliant						
<b>Protective Cover</b>	P = Metal Protective Covers Included N = No Covers Supplied						
<b>Shell Key Position (See Table I)</b>	A (Normal), B, C, D, E, F						
<b>Length</b>	Overall Length In Inches 115" Max						
<b>Wiring</b>	X = Crossover Omit = Standard						

### Table I: Shell Key Positions

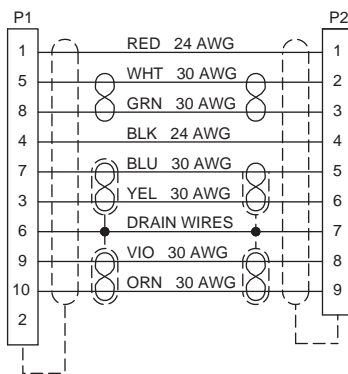


Key Position	Key Rotation	
	A°	B°
Normal (A)	150°	210°
B	75°	210°
C	95°	230°
D	140°	275°
E	75°	275°
F	95°	210°

WIRING DIAGRAM - STANDARD



WIRING DIAGRAM - CROSSOVER



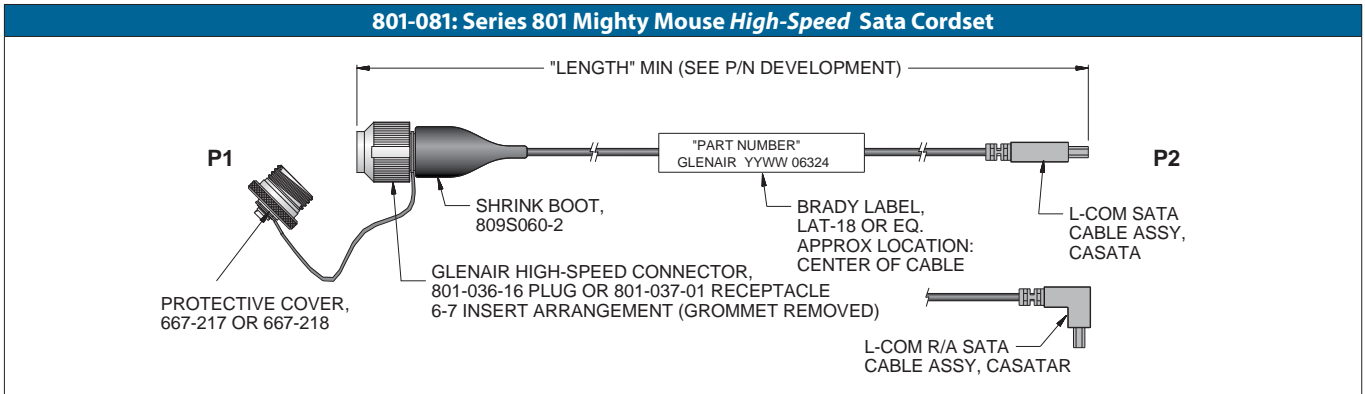
Dimensions in Inches (millimeters) are subject to change without notice.

# Series 801 SATA Cordsets

Mighty Mouse *High-Speed* Connector to L-COM SATA Connector  
with Double-Start ACME Threads  
801-081 Ordering Information



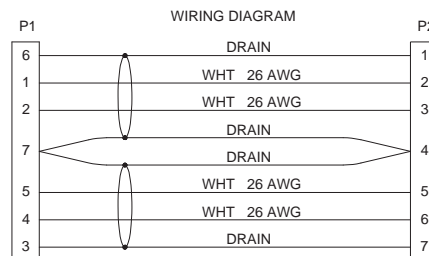
Series 801  
High-Speed



How To Order	
<b>Sample Part Number</b>	<b>801-081 -A N A A -24</b>
<b>Series</b>	<b>801-081</b> = Series 801 Mighty Mouse to L-COM SATA cordset
<b>P1 Connector</b>	<b>-A</b> = Plug with Pin Contacts <b>-B</b> = Plug with Socket Contacts <b>-C</b> = Receptacle with Pin Contacts <b>-D</b> = Receptacle with Socket Contacts
<b>Shell Material / Finish</b>	<b>M</b> = Aluminum / Electroless Nickel RoHS Compliant <b>NF</b> = Aluminum / Cadmium with Olive Drab Chromate <b>ZNU</b> = Aluminum / Zinc-Nickel with Black Chromate <b>MT</b> = Aluminum / Nickel-PTFE, RoHS Compliant <b>Z1</b> = Stainless Steel / Passivated RoHS Compliant
<b>Protective Cover</b>	<b>P</b> = Metal Protective Covers Included <b>N</b> = No Covers Supplied
<b>Shell Key Position (See Table I)</b>	<b>A</b> (Normal), <b>B, C, D, E, F</b>
<b>P1 Connector</b>	<b>R</b> = Right Angle <b>S</b> = Straight
<b>Length</b>	Overall Length In Inches

**Table I: Shell Key Positions**

Key Position	Key Rotation	
	A°	B°
Normal (A)	150°	210°
B	75°	210°
C	95°	230°
D	140°	275°
E	75°	275°
F	95°	210°



Dimensions in Inches (millimeters) are subject to change without notice.

SERIES 804

# PUSH-PULL *HIGH-SPEED* MIGHTY MOUSE

Environmental sealing and rugged design in a lightweight push-pull package designed for high bandwidth field applications



For breakaway connections, the Series 804 QDC connector features a stainless steel spring in the receptacle and a detent on the plug body. Used for headsets, radios, weapons and other applications, the QDC Mighty Mouse meets immersion requirements and provides excellent durability. The gold-plated spring provides low shell-to-shell resistance for excellent EMI shielding. A fluorosilicone o-ring provides a watertight seal when mated. Series 804 High-Speed Mighty Mouse connectors are equipped with special purpose PFA (Teflon®) inserts that deliver superior insertion loss and balanced impedance performance for high-speed Ethernet applications at frequencies above 1 GHz.



Glenair, Inc.  
1211 Air Way  
Glendale, CA  
91201-2497  
818-247-6000  
sales@glenair.com  
www.glenair.com

Series 804 Mighty Mouse *High-Speed*  
Push-Pull Quick-Disconnect Connectors  
Table of Contents and Introduction



Series 804  
High-Speed

**PRODUCT SELECTION GUIDE**



**804-026 and 804-027**  
Plug Connectors

Page Q-4



**804-028 and 804-029**  
Crimp Receptacles

Page Q-6



**804-030**  
PCB Receptacles

Page Q-10



**804-070, 804-071, 804-072, 804-073, 804-074, 804-075**  
Series 801 Overmolded Cordsets for eSATA, Ethernet, and USB  
Mighty Mouse Back-to-Back and Mighty Mouse - Commercial

Page Q-12

Dimensions in Inches (millimeters) are subject to change without notice.





# Series 804 Mighty Mouse High-Speed Push-Pull Quick-Disconnect Connectors

## General Information



Series 804  
High-Speed

**Quick-Disconnect Mating** Series 804 push-pull mating utilizes a stainless steel retention spring in the receptacle and a detent on the plug.

**Two Shell Styles:** Integral platform for direct shield attachment using Band-Master™ ATS advanced termination system, or accessory thread for attaching a strain relief.

**Crimp, Rear Release** contact system, with #23 contacts.

**Printed Circuit Board and Solder Cup** versions with precision machined low profile shells.

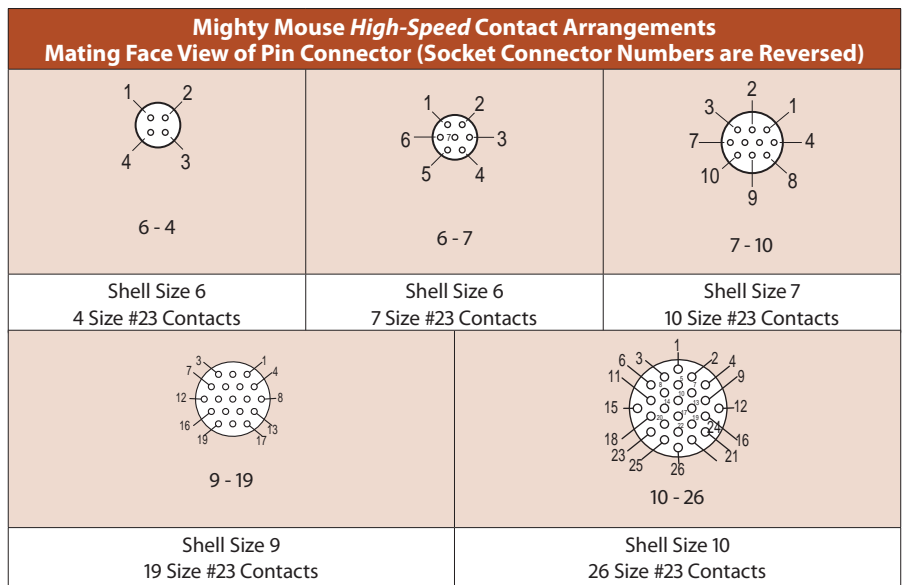
**Harsh Environment:** Fluorosilicone seals, aluminum or stainless steel shells, and gold-plated copper alloy contacts for superior performance in demanding applications.

**High-Speed:** Special purpose PFA (Teflon®) insulators deliver superior impedance, VSWR and insertion loss values.

Specifications	
Current Rating	5 AMPS
Dielectric Withstanding Voltage	750 VAC
Insulation Resistance	5000 megohms minimum
Operating Temperature	-65° C. to +175° C.
Shock	300 g.
Vibration	37 g.
Shielding Effectiveness(1)	60 dB minimum from 100MHz to 1000MHz.
Durability	2000 mating cycles
(1) Tested with electroless nickel plating.	

Materials and Finishes	
Shells, Jam Nuts	Aluminum alloy or stainless steel
Contacts	Copper alloy, 50 µlnch gold plated
Insulators	PFA
Contact Retention Clip	Beryllium copper alloy
Interfacial Seal, O-rings, Wire Sealing Grommet	Fluorosilicone rubber
Spring	Gold plated stainless steel

Series 804 Unmate Force		
Layout	Average Force	
	Pounds	Newtons
6-4	10.8	48.0
6-7	11.4	50.7
7-10	12.0	53.4
9-19	13.8	61.4
10-26	15.2	67.6



Dimensions in Inches (millimeters) are subject to change without notice.



# Series 804 Push-Pull High-Speed Mighty Mouse

Quick-Disconnect Plug Connector  
with #23 Crimp Rear Release Contacts  
804-026 and 804-027 Ordering Information



**Quick Disconnect** These plugs snap securely into receptacle housings and release with a simple pull.

**Two Keying Styles** A single master key provides fast mating in low-light situations, or specify three keys for more polarizing options.

**Two Shell Styles** Integral platform for direct shield attachment using the Band-Master™ ATS termination system, or an accessory thread for attaching a strain relief.

### How To Order

<b>Sample Part Number</b>	<b>804-026</b>	<b>-07</b>	<b>M</b>	<b>6-7</b>	<b>P</b>	<b>A</b>
<b>Series (See Table I)</b>	<b>804-026</b> = With Banding Platform <b>804-027</b> = With Sccessory Thread					
<b>Shell Style</b>	<b>-06</b> = Plug					
<b>Shell Material and Finish</b>	<b>M</b> = Aluminum / Electroless Nickel RoHS Compliant <b>NF</b> = Aluminum / Cadmium with Olive Drab Chromate <b>ZN</b> = Aluminum / Zinc-Nickel with Olive Drab Chromate <b>ZNU</b> = Aluminum / Zinc-Nickel with Black Chromate <b>Z1</b> = Stainless Steel / Passivated RoHS Compliant					
<b>Shell Size - Insert Arrangement (See Table II)</b>	<b>6-4, 6-7, 7-10, 9-19, 10-26</b>					
<b>Contact Type</b>	<b>Connector supplied with contacts</b> <b>P</b> = Pin <b>S</b> = Socket	<b>Connector supplied without contacts</b> <b>A</b> = Pin Connector <b>B</b> = Socket Connector	<b>Connector Supplied with 30 AWG Crimp Barrel</b> <b>G</b> = Pin <b>H</b> = Socket			
<b>Shell Key Positions (See Table III)</b>	<b>A</b> = Normal <b>B</b> = Pos. B <b>C</b> = Pos. C <b>D</b> = Pos. D <b>E</b> = Pos. F <b>F</b> = Pos. F					

Q

Table I: Series

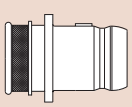
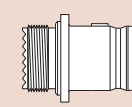
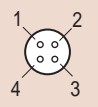
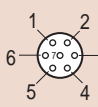
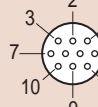
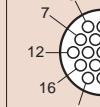
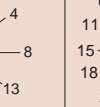
	
<b>804-026</b> Plug with Banding Platform	<b>804-027</b> Plug with Accessory Thread

Table II: Shell Size - Insert Arrangement

				
<b>6-4</b>	<b>6-7</b>	<b>7-10</b>	<b>9-19</b>	<b>10-26</b>

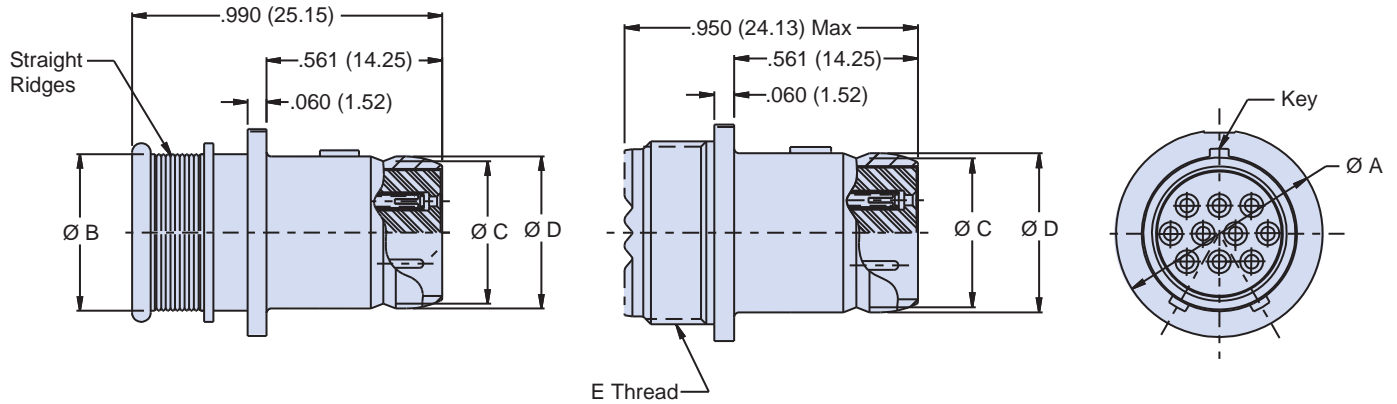
Dimensions in Inches (millimeters) are subject to change without notice.

# Series 804 Push-Pull High-Speed Mighty Mouse

Quick-Disconnect Plug Connector  
with #23 Crimp Rear Release Contacts  
804-026 and 804-027 Ordering Information



Series 804  
High-Speed



**Integral Band Platform**  
804-026-06

**Accessory Thread**  
804-027-06

Dimensions									
Shell Size	Ø A Max.		Ø B		Ø C		Ø D		E Threads
	In.	mm.	In.	mm.	In.	mm.	In.	mm.	
6	.495	12.57	.286	7.26	.282	7.16	.313	7.95	.3125-32 UNEF-2A
7	.575	14.61	.390	9.91	.351	8.92	.383	9.73	.4375-28 UNEF-2A
9	.670	17.02	.500	12.70	.454	11.53	.486	12.34	.5625-24 UNEF-2A
10	.745	18.92	.564	14.33	.529	13.44	.563	14.30	.6250-24 UNEF-2A

**Table III: Plug Key Positions**

Position	A°	B°
A	150°	210°
B	75°	210°
C	95°	230°
D	140°	275°
E	75°	275°
F	95°	210°

Dimensions in Inches (millimeters) are subject to change without notice.



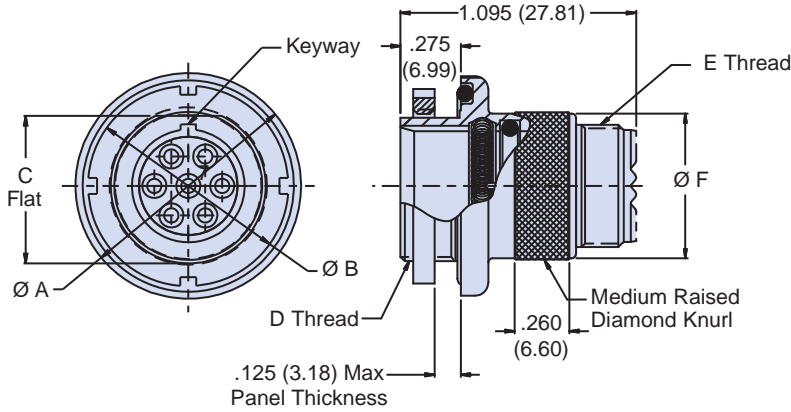
# Series 804 Push-Pull High-Speed Mighty Mouse

Quick-Disconnect Receptacle Connector  
with size #23 Crimp Rear Release Contacts  
804-028 and 804-029 Shell Style -07 Dimensions

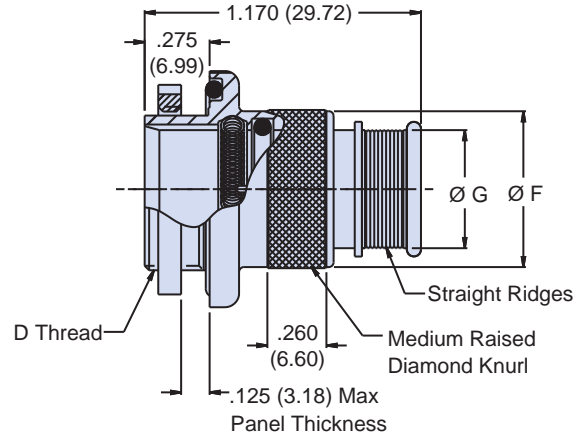


Series 804  
High-Speed

## Jam nut, rear panel mount - shell style 07



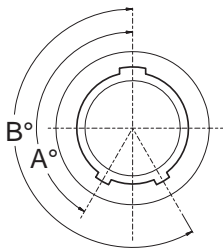
**Accessory Thread**  
804-029-07



**Integral Band Platform**  
804-028-07

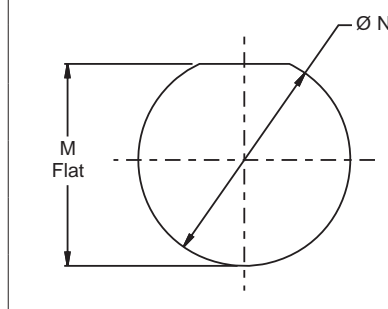
Dimensions												
Shell Size	Ø A		Ø B		C Flat		D Threads	E Threads	Ø F		Ø G	
	In.	mm.	In.	mm.	In.	mm.			In.	mm.	In.	mm.
6	.830	21.08	.625	15.87	.467	14.40	.5000-32 UN-2A	.3125-32 UNEF-2A	.520	13.21	.286	7.26
7	.910	23.11	.750	19.05	.594	15.09	.6250-28 UN-2A	.4375-28 UNEF-2A	.580	14.73	.390	9.91
9	1.000	25.40	.812	20.62	.655	16.64	.6875-28 UN-2A	.5625-24 UNEF-2A	.695	17.65	.500	12.70
10	1.085	27.48	.875	22.22	.721	18.31	.7500-28 UN-2A	.6250-24 UNEF-2A	.735	18.67	.564	14.33

**Table III: Plug Key Positions**



Position	A°	B°
A	150°	210°
B	75°	210°
C	95°	230°
D	140°	275°
E	75°	275°
F	95°	210°

**Rear Mount Jam Nut Panel Cutout**



Shell Size	M Flat		Ø N	
	In.	mm.	In. ± .005	mm. ± 0.13
6	.479	12.17	.510	12.95
	.475	12.07		
7	.606	15.39	.635	16.13
	.602	15.29		
9	.667	16.94	.698	17.73
	.663	16.84		
10	.734	18.64	.760	19.30
	.729	18.52		

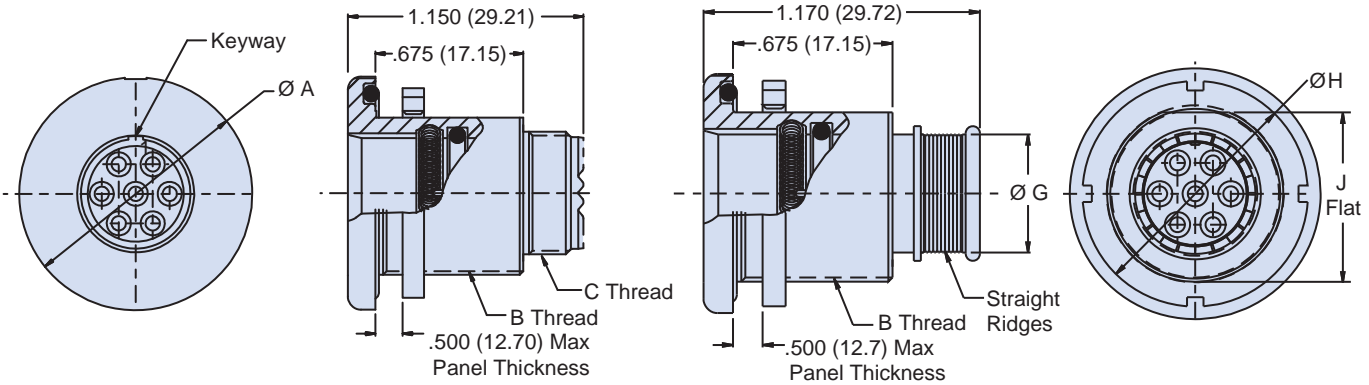
Dimensions in Inches (millimeters) are subject to change without notice.



# Series 804 Push-Pull High-Speed Mighty Mouse

Quick-Disconnect Receptacle Connector  
with size #23 Crimp Rear Release Contacts  
804-028 and 804-029 Shell Style -00 Dimensions

## Jam nut, front panel mount receptacle - shell style 00



**Accessory Thread**  
804-029-00

**Integral Band Platform**  
804-028-00

Shell Size	Dimensions									
	$\varnothing A$		B Threads	C Threads	$\varnothing G$		$\varnothing H$		J Flat	
	In.	mm.			In.	mm.	In.	mm.	In.	mm.
6	.885	22.48	.5625-32 UN-2A	.3125-32 UNEF-2A	.286	7.26	.688	17.47	.530	13.46
7	.995	25.27	.6875-28 UN-2A	.4375-28 UNEF-2A	.390	9.91	.812	20.62	.663	16.84
9	1.075	27.31	.7500-28 UN-2A	.5625-24 UNEF-2A	.500	12.70	.875	22.22	.720	18.29
10	1.140	28.95	.8125-28 UN-2A	.6250-24 UNEF-2A	.564	14.33	.938	23.82	.788	20.02

Q

**Table III: Receptacle Key Positions**

Position	A°	B°
A	150°	210°
B	75°	210°
C	95°	230°
D	140°	275°
E	75°	275°
F	95°	210°

**Rear Mount Jam Nut Panel Cutout**

Shell Size	M Flat		$\varnothing N$	
	In.	mm.	In. ± .005	mm. ± 0.13
6	.479	12.17	.510	12.95
	.475	12.07		
7	.606	15.39	.635	16.13
	.602	15.29		
9	.667	16.94	.698	17.73
	.663	16.84		
10	.734	18.64	.760	19.30
	.729	18.52		

Dimensions in Inches (millimeters) are subject to change without notice.

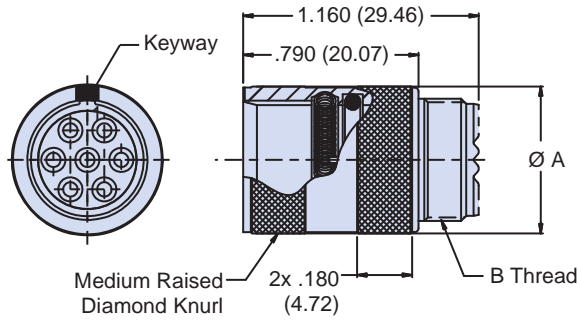
# Series 804 Push-Pull High-Speed Mighty Mouse

Quick-Disconnect Receptacle Connector  
with size #23 Crimp Rear Release Contacts  
804-028 and 804-029 Shell Style -01 Dimensions

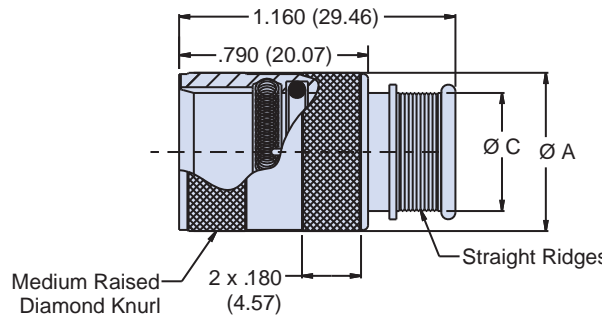


Series 804  
High-Speed

## Inline cable receptacle - shell style 01



**Accessory Thread**  
804-029-01



**Integral Band Platform**  
804-028-01

Shell Size	Ø A		B Threads	Ø C	
	In.	mm.		In.	mm.
6	.520	13.21	.3125-32 UNEF-2A	.286	7.26
7	.580	14.73	.4375-28 UNEF-2A	.390	9.91
9	.695	17.65	.5625-24 UNEF-2A	.500	12.70
10	.735	18.67	.6250-24 UNEF-2A	.564	14.33

**Table III: Receptacle Key Positions**

Position	A°	B°
A	150°	210°
B	75°	210°
C	95°	230°
D	140°	275°
E	75°	275°
F	95°	210°

Dimensions in Inches (millimeters) are subject to change without notice.



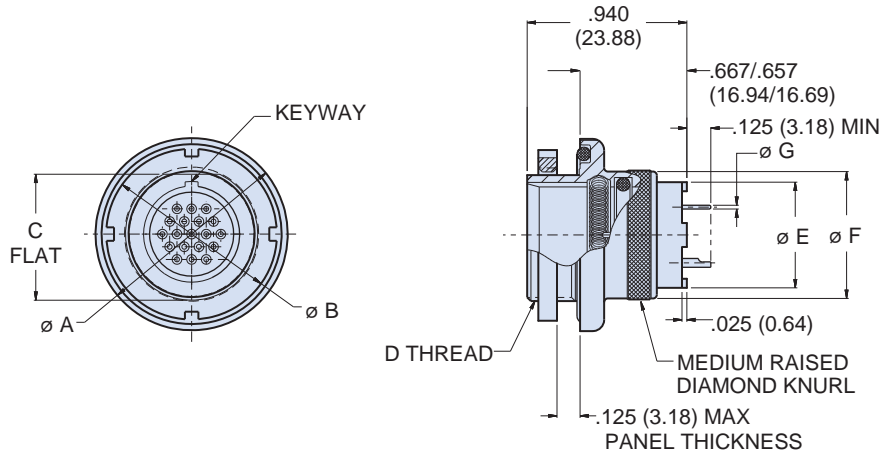


**Series 804 Push-Pull High-Speed Mighty Mouse**  
**Rear and Front Mount Jam-Nut PCB or Solder Cup Receptacle**  
**804-030 and 804-031 Ordering Information**



Series 804  
High-Speed

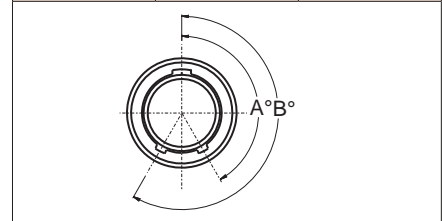
**Rear panel jam nut 804-030/031 - shell style 07**



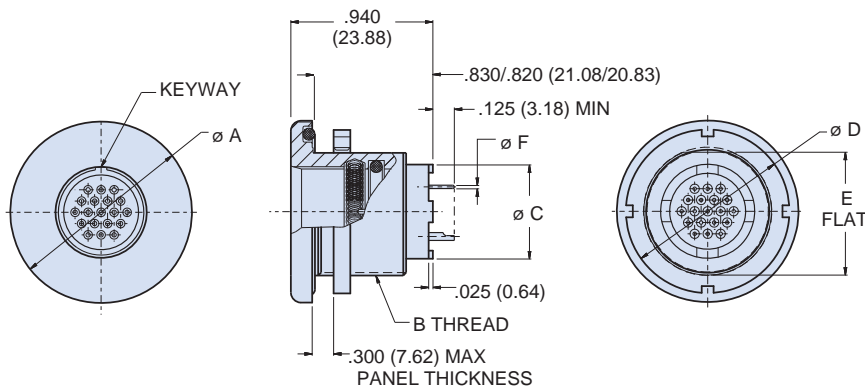
Shell Size	M Flat		Ø N	
	In.	mm.	In.	mm.
6	.479 .475	12.17 12.07	.510	12.95
7	.606 .602	15.39 15.29	.635	16.13
9	.667 .663	16.94 16.84	.698	17.73
10	.734 .729	18.64 18.52	.760	19.30

Shell Size	Dimensions								Ø F Tail Dia.			
	Ø A		Ø B		C Flat		D Threads	Ø E		Ø F		
	In.	mm.	In.	mm.	In.	mm.		In.			mm.	
6	.730	18.54	.625	15.87	.467	14.40	.5000-32 UN-2A	.330	8.38	.483	12.27	.018/.022 (.46/.56)
7	.910	23.11	.750	19.05	.594	15.09	.6250-28 UN-2A	.432	10.97	.570	14.48	
9	1.000	25.40	.812	20.62	.655	16.64	.6875-28 UN-2A	.551	14.00	.685	17.40	
10	1.085	27.48	.875	22.22	.721	18.31	.7500-28 UN-2A	.620	15.75	.725	18.42	

Receptacle Key Positions		
Position	A°	B°
A	150°	210°
B	75°	210°
C	95°	230°
D	140°	275°
E	75°	275°
F	95°	210°



**Front panel jam nut 804-030/031 - shell style 00**



Shell Size	Dimensions								Ø F Tail Dia.	
	Ø A		B Threads	Ø C		Ø D		E Flat		
	In.	mm.		In.	mm.	In.	mm.	In.		mm.
6	.885	22.48	.5625-28 UN-2A	.330	8.38	.688	17.47	.530	13.46	.018/.022 (.46/.56)
7	.995	25.27	.6875-28 UN-2A	.432	10.97	.812	20.62	.663	16.84	
9	1.075	27.31	.7500-28 UN-2A	.551	14.00	.875	22.22	.720	18.29	
10	1.140	28.95	.8125-28 UN-2A	.620	15.75	.938	23.82	.788	20.02	

Shell Size	P Flat		Ø R	
	In.	mm.	In.	mm.
6	.542 .538	13.77 13.67	.575	14.61
7	.676 .671	17.17 17.04	.698	17.73
9	.732 .728	18.59 18.49	.760	19.30
10	.801 .796	20.35 20.22	.822	20.88

Dimensions in Inches (millimeters) are subject to change without notice.



# Series 804 eSATA Cordsets

## Mighty Mouse Back-to-Back High-Speed Push-Pull Connectors

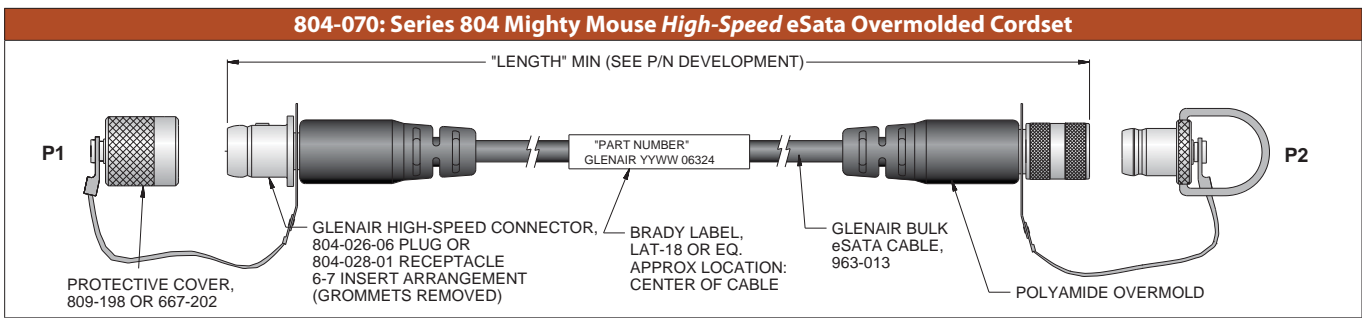
### 804-070 Ordering Information



#### Series 804 High-Speed cordsets

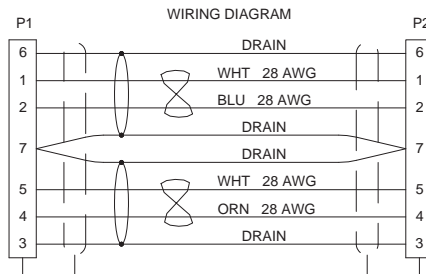
For optimal data transmission performance and environmental sealing, choose Glenair high-speed cordsets. Factory-terminated connectors have their rear grommets removed to maintain the construction of the matched-impedance pair cable through the connector for improved high-speed performance. Choose "Back to Back" versions with Series 80 Mighty Mouse High-Speed connectors on both ends, or cordsets terminated to industry-standard commercial connectors. Order with or without metal protective covers. All cordsets are 100% electrically tested.

100 Ohm differential parallel pair cordsets optimized for eSATA, Ethernet, and USB protocols



How To Order		804-070	-A	D	NF	N	A	-48
<b>Sample Part Number</b>								
<b>Series</b>	804-070 = Back-to-Back Series 804 Mighty Mouse eSATA Overmolded cordset							
<b>P1 Connector</b>	-A = Plug with Pin Contacts -B = Plug with Socket Contacts -C = Receptacle with Pin Contacts -D = Receptacle with Socket Contacts							
<b>P2 Connector</b>	A = Plug with Pin Contacts B = Plug with Socket Contacts C = Receptacle with Pin Contacts D = Receptacle with Socket Contacts N = No Connector (Single-Ended)							
<b>Shell Material / Finish</b>	M = Aluminum / Electroless Nickel RoHS Compliant NF = Aluminum / Cadmium with Olive Drab Chromate ZNU = Aluminum / Zinc-Nickel with Black Chromate MT = Aluminum / Nickel-PTFE, RoHS Compliant Z1 = Stainless Steel / Passivated RoHS Compliant							
<b>Protective Cover</b>	P = Metal Protective Covers Included N = No Covers Supplied							
<b>Shell Key Pos. (See Page N3)</b>	A (Normal), B, C, D, E, F							
<b>Length</b>	Overall Length In Inches 78" Max							

Q



Dimensions in Inches (millimeters) are subject to change without notice.

# Series 804 10GBASE-T Cat6a Ethernet Cordsets

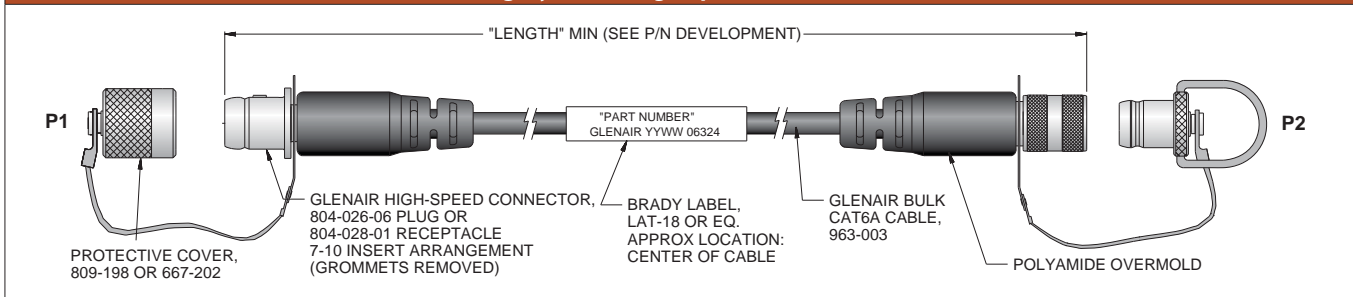
## Mighty Mouse Back-to-Back *High-Speed* Push-Pull Connectors

### 804-071 Ordering Information



Series 804  
High-Speed

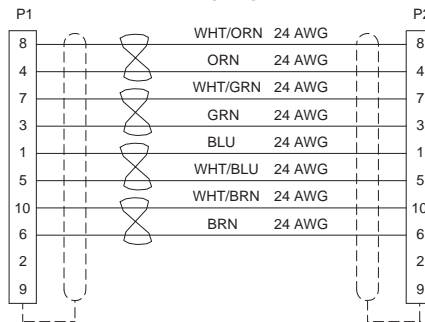
#### 804-071: Series 804 Mighty Mouse *High-Speed* 10GBASE-T Overmolded Cordset



#### How To Order

Sample Part Number	804-071	-A	D	NF	N	A	-48
<b>Series</b>	804-071 = Back-to-Back Series 804 Mighty Mouse 10GBASE-T CAT6A Ethernet Overmolded cordset						
<b>P1 Connector</b>	-A = Plug with Pin Contacts      -B = Plug with Socket Contacts						
	-C = Receptacle with Pin Contacts      -D = Receptacle with Socket Contacts						
<b>P2 Connector</b>	A = Plug with Pin Contacts      B = Plug with Socket Contacts						
	C = Receptacle with Pin Contacts      D = Receptacle with Socket Contacts						
	N = No Connector (Single-Ended)						
<b>Shell Material / Finish</b>	M = Aluminum / Electroless Nickel RoHS Compliant						
	NF = Aluminum / Cadmium with Olive Drab Chromate						
	ZNU = Aluminum / Zinc-Nickel with Black Chromate						
	MT = Aluminum / Nickel-PTFE, RoHS Compliant						
	Z1 = Stainless Steel / Passivated RoHS Compliant						
<b>Protective Cover</b>	P = Metal Protective Covers Included    N = No Covers Supplied						
<b>Shell Key Pos. (See Page N3)</b>	A (Normal), B, C, D, E, F						
<b>Length</b>	Overall Length In Inches						

#### WIRING DIAGRAM



Dimensions in Inches (millimeters) are subject to change without notice.

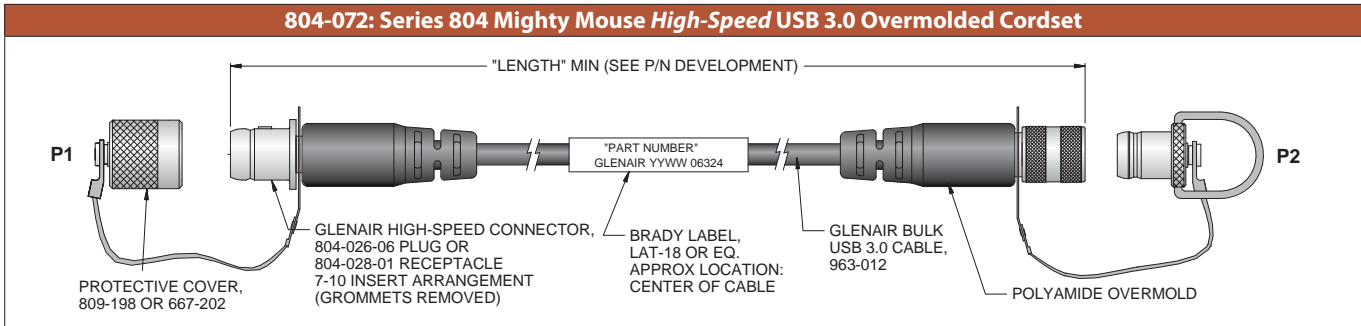




# Series 804 USB 3.0 Cordsets

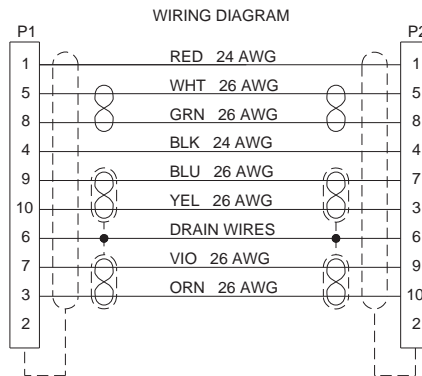
## Mighty Mouse Back-to-Back High-Speed Push-Pull Connectors

### 804-072 Ordering Information



How To Order		804-072	-A	D	NF	N	A	-48
<b>Sample Part Number</b>								
<b>Series</b>	804-072 = Back-to-Back Series 804 Mighty Mouse USB 3.0 Overmolded Cordset							
<b>P1 Connector</b>	-A = Plug with Pin Contacts      -B = Plug with Socket Contacts -C = Receptacle with Pin Contacts      -D = Receptacle with Socket Contacts							
<b>P2 Connector</b>	A = Plug with Pin Contacts      B = Plug with Socket Contacts C = Receptacle with Pin Contacts      D = Receptacle with Socket Contacts N = No Connector (Single-Ended)							
<b>Shell Material / Finish</b>	M = Aluminum / Electroless Nickel RoHS Compliant NF = Aluminum / Cadmium with Olive Drab Chromate ZNU = Aluminum / Zinc-Nickel with Black Chromate MT = Aluminum / Nickel-PTFE, RoHS Compliant Z1 = Stainless Steel / Passivated RoHS Compliant							
<b>Protective Cover</b>	P = Metal Protective Covers Included      N = No Covers Supplied							
<b>Shell Key Pos. (See Page N3)</b>	A (Normal), B, C, D, E, F							
<b>Length</b>	Overall Length In Inches 118" Max							

Q



Dimensions in Inches (millimeters) are subject to change without notice.

# Series 804 eSATA Cordsets

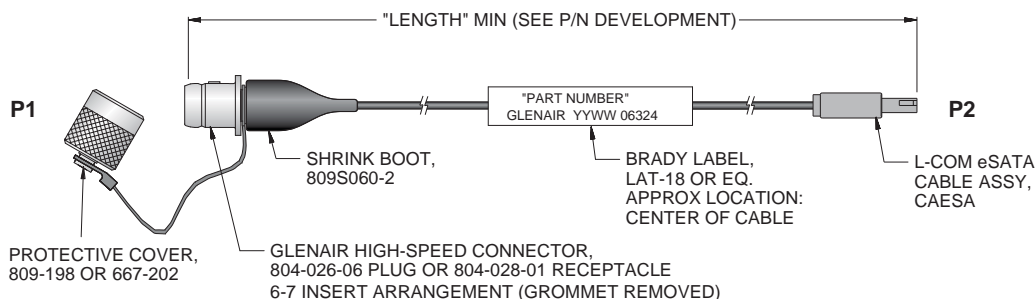
## Mighty Mouse High-Speed Push-Pull Connector to L-COM eSATA Connector

### 804-073 Ordering Information



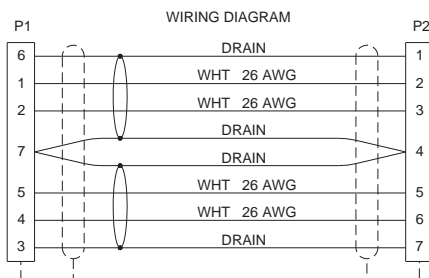
Series 804  
High-Speed

#### 804-073: Series 804 Mighty Mouse High-Speed eSATA Overmolded Cordset



#### How To Order

Sample Part Number	804-073	-A	NF	N	A	-48
Series	804-073 = Series 804 Mighty Mouse to L-COM eSATA cordset					
P1 Connector	-A = Plug with Pin Contacts      -B = Plug with Socket Contacts					
	-C = Receptacle with Pin Contacts      -D = Receptacle with Socket Contacts					
Shell Material / Finish	M = Aluminum / Electroless Nickel RoHS Compliant NF = Aluminum / Cadmium with Olive Drab Chromate ZNU = Aluminum / Zinc-Nickel with Black Chromate MT = Aluminum / Nickel-PTFE, RoHS Compliant Z1 = Stainless Steel / Passivated RoHS Compliant					
Protective Cover	P = Metal Protective Covers Included    N = No Covers Supplied					
Shell Key Pos. (See Page N3)	A (Normal), B, C, D, E, F					
Length	Overall Length In Inches 76" Max					



Dimensions in Inches (millimeters) are subject to change without notice.

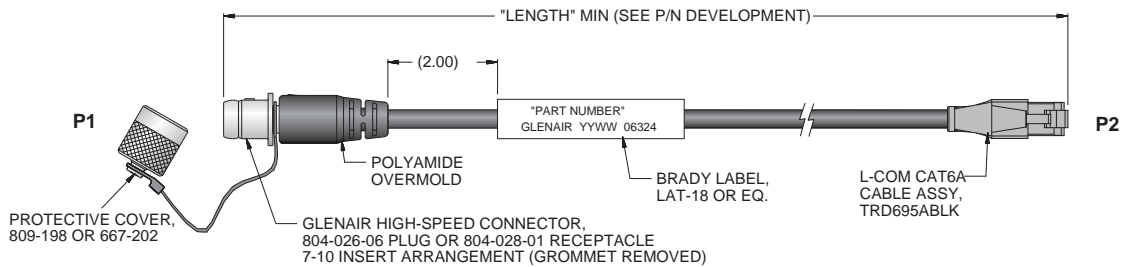




# Series 804 10GBASE-T Ethernet Cat 6a Cordsets

Push-Pull Mighty Mouse *High-Speed* Connector  
to L-COM CAT6A 10GBASE-T Ethernet Connector  
804-074 Ordering Information

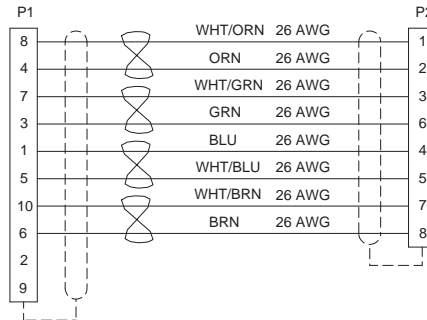
## 804-074: Series 804 Mighty Mouse *High-Speed* 10GBASE-T Ethernet Overmolded Cordset



### How To Order

<b>Sample Part Number</b>	<b>804-074</b> - <b>A</b> <b>NF</b> <b>N</b> <b>A</b> - <b>48</b>
<b>Series</b>	<b>804-074</b> = Series 804 Mighty Mouse to L-COM CAT6A cordset
<b>P1 Connector</b>	- <b>A</b> = Plug with Pin Contacts      - <b>B</b> = Plug with Socket Contacts - <b>C</b> = Receptacle with Pin Contacts      - <b>D</b> = Receptacle with Socket Contacts
<b>Shell Material / Finish</b>	<b>M</b> = Aluminum / Electroless Nickel RoHS Compliant <b>NF</b> = Aluminum / Cadmium with Olive Drab Chromate <b>ZNU</b> = Aluminum / Zinc-Nickel with Black Chromate <b>MT</b> = Aluminum / Nickel-PTFE, RoHS Compliant <b>Z1</b> = Stainless Steel / Passivated RoHS Compliant
<b>Protective Cover</b>	<b>P</b> = Metal Protective Covers Included <b>N</b> = No Covers Supplied
<b>Shell Key Pos. (See Page N3)</b>	<b>A</b> (Normal), <b>B, C, D, E, F</b>
<b>Length</b>	Overall Length In Inches

### WIRING DIAGRAM



Dimensions in Inches (millimeters) are subject to change without notice.

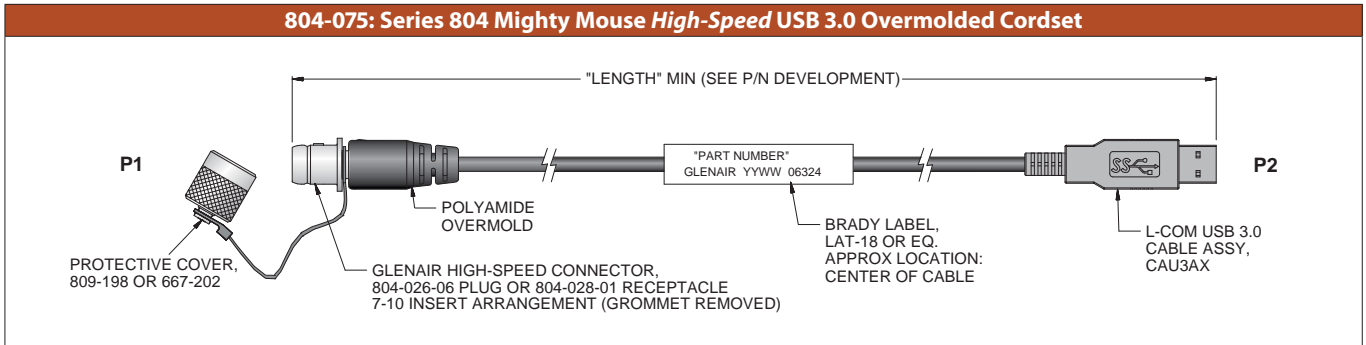
# Series 804 USB 3.0 Cordsets

## Push-Pull Mighty Mouse High-Speed Connector to L-COM USB 3.0 Connector 804-075 Ordering Information



Series 804  
High-Speed

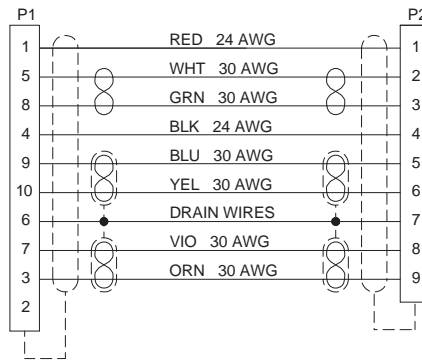
### 804-075: Series 804 Mighty Mouse High-Speed USB 3.0 Overmolded Cordset



### How To Order

Sample Part Number	804-075	-A	NF	N	A	-48
<b>Series</b>	804-075 = Series 804 Mighty Mouse to L-COM USB 3.0 cordset					
<b>P1 Connector</b>	-A = Plug with Pin Contacts      -B = Plug with Socket Contacts					
	-C = Receptacle with Pin Contacts      -D = Receptacle with Socket Contacts					
<b>Shell Material / Finish</b>	M = Aluminum / Electroless Nickel RoHS Compliant NF = Aluminum / Cadmium with Olive Drab Chromate ZNU = Aluminum / Zinc-Nickel with Black Chromate MT = Aluminum / Nickel-PTFE, RoHS Compliant Z1 = Stainless Steel / Passivated RoHS Compliant					
<b>Protective Cover</b>	P = Metal Protective Covers Included      N = No Covers Supplied					
<b>Shell Key Pos. (See Page N3)</b>	A (Normal), B, C, D, E, F					
<b>Length</b>	Overall Length In Inches 115" Max					

### WIRING DIAGRAM



Dimensions in Inches (millimeters) are subject to change without notice.



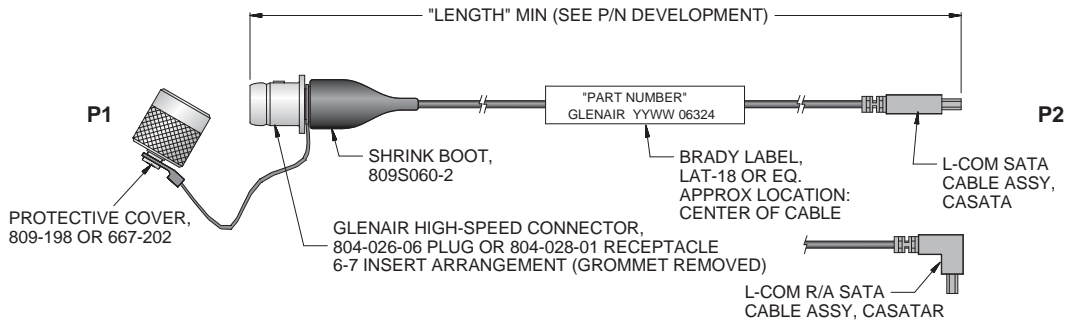




# Series 804 SATA Cordsets

Mighty Mouse Push-Pull *High-Speed* Connector  
to L-COM SATA Connector  
804-076 Ordering Information

## 804-076: Series 804 Mighty Mouse High-Speed SATA Cordset



### How To Order

Sample Part Number	804-076	-A	NF	N	A	S	-24
<b>Series</b>	804-076 = Mighty Mouse to L-COM SATA cordset						
<b>P1 Connector</b>	-A = Plug with Pin Contacts      -B = Plug with Socket Contacts						
	-C = Receptacle with Pin Contacts      -D = Receptacle with Socket Contacts						
<b>Shell Material / Finish</b>	M = Aluminum / Electroless Nickel RoHS Compliant NF = Aluminum / Cadmium with Olive Drab Chromate ZNU = Aluminum / Zinc-Nickel with Black Chromate MT = Aluminum / Nickel-PTFE, RoHS Compliant Z1 = Stainless Steel / Passivated RoHS Compliant						
<b>Protective Cover</b>	P = Metal Protective Covers Included      N = No Covers Supplied						
<b>Shell Key Pos. (See Page N3)</b>	A (Normal), B, C, D, E, F						
<b>P2 Connector Configuration</b>	R = Right Angle      S = Straight						
<b>Length</b>	Overall Length in Inches 36" Max.						

Q

Dimensions in Inches (millimeters) are subject to change without notice.

Series 805 Mighty Mouse *High-Speed*  
Triple-Start ACME Thread Connectors  
Table of Contents and Introduction



Series 805  
High-Speed

**PRODUCT SELECTION GUIDE**



**805-020 and 805-021**  
Plug Connectors

Page R-4



**805-022 and 805-023**  
Receptacles Connectors

Page R-6



**805-112, 113, 114, 115, 116, 117, 118**  
Series 805 Mighty Mouse Overmolded Cordsets for CAT 6a, eSATA, Ethernet,  
USB and SATA. Single-Ended, Back-to-Back, or with Commercial USB/  
Ethernet/e-SATA Connectors

Page R-11

**R**

Dimensions in Inches (millimeters) are subject to change without notice.



## Series 805 Mighty Mouse High-Speed Triple-Start ACME Thread Connectors

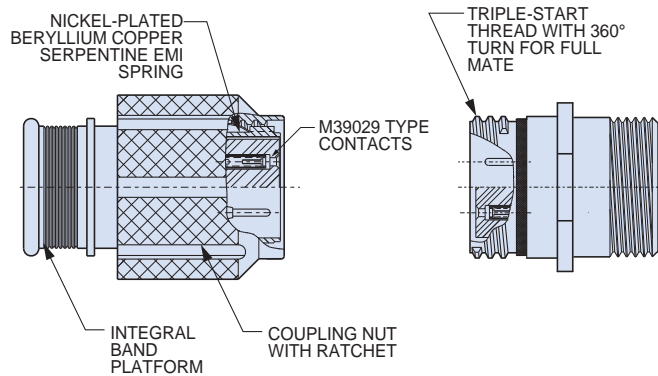
### General information

## Series 805 High-Speed Mighty Mouse Plug and Receptacle Connectors

The 805 Series High-Speed Mighty Mouse is ideal for use in USB 2.0, eSATA and other high-speed databus applications. The connector is equipped with special PFA (Teflon) insulators and is optimized for use with high-speed differential wire such as our 963-001 Series cable. Five insert arrangements are offered with 4, 7, 10, 19 and 26 size #23 contacts. The high-density, small form factor connector is suited for applications where traditional military circular connectors are too large or too heavy. The triple-start threads provide full mating in 1 turn, and the plug features an anti-decoupling ratchet mechanism for severe vibration resistance. EMI performance is improved with a serpentine ground spring on the plug barrel. This nickel plated beryllium copper spring assures low shell-to-shell resistance.



- Triple-Start ACME Thread with anti-decoupling spring or ratchet
- Special Purpose PFA (Teflon) Insulators
- Crimp Rear Release Contacts
- Integral Band Platform
- Supplied with Size #23 Gold-Plated Copper Alloy Crimp
- Environmentally Sealed



### High-Speed Performance

Series 805 High-Speed Mighty Mouse connectors are constructed with a rear grommet for environmental sealing. This grommet can be removed in order to maintain the construction of the matched impedance pair cable for a longer distance inside the connector for improved high-speed performance (see tables below.) However, removal of the grommet affects environmental sealing. For optimal high-speed performance and environmental sealing, Glenair recommends our factory-terminated overmolded cordsets. Full ordering information begins on page R-11.

R



Factory-terminated overmolded cordsets for optimal high-speed performance and environmental sealing: See page R-11

With Grommet Removed	
High-Speed Performance	
Impedance	100 Ω ±7 Ω at 100-Picosecond
VSWR	<1.4 up to 4-GHz
Insertion Loss	
1 GHz	.51 dB
2 GHz	.53 dB
3 GHz	.57 dB
4 GHz	1.2 dB
5 GHz	1.25 dB

With Grommet Intact	
High-Speed Performance	
Impedance	100 Ω ±15 Ω at 100-Picosecond
VSWR	<1.5 up to 3-GHz
Insertion Loss	
1 GHz	2 dB
2 GHz	4 dB
3 GHz	3 dB

In order to achieve high speed performance, this connector must be mated to another high speed Mighty Mouse connector.

Dimensions in Inches (millimeters) are subject to change without notice.

# Series 805 Mighty Mouse High-Speed Triple-Start ACME Thread Connectors

## General information



Series 805  
High-Speed

### Triple-Start ACME Threads

Resist cross threading and shearing. These aerospace-grade Series 805 plugs feature 1 full turn of the coupling nut to full mating.

**Two Shell Styles:** Integral platform for direct shield attachment using Band-Master™ ATS advanced termination system, or accessory thread for attaching a strain relief.

**Crimp, Rear Release** contact system, with #23 contacts.

**Harsh Environment:** fluorosilicone seals, aluminum or stainless steel shells, and gold-plated copper alloy contacts for superior performance in demanding applications.

**High-Speed:** Special purpose PFA (Teflon) insulators deliver superior impedance, VSWR and insertion loss values.

Specifications	
Current Rating	5 AMPS
Dielectric Withstanding Voltage	750 VAC
Insulation Resistance	5000 megohms minimum
Operating Temperature	-65° C. to +175° C.
Shock	300 g.
Vibration	37 g.
Shielding Effectiveness	55 dB minimum low frequency from 100MHz to 1000MHz. and 65 dB minimum high frequency from 1 GHz to 10GHz.
Durability	2000 mating cycles

Materials and Finishes	
Shells, Jam Nuts	Aluminum alloy or stainless steel
Contacts	Copper alloy, 50 µlnch gold plated
Insulators	PFA
Contact Retention Clip	Beryllium copper alloy
Interfacial Seal, O-rings, Wire Sealing Grommet	Fluorosilicone rubber

Mighty Mouse High-Speed Contact Arrangements Mating Face View of Pin Connector (Socket Connector Numbers are Reversed)		
<b>8 - 4</b> Shell Size 8 4 Size #23 Contacts	<b>8 - 7</b> Shell Size 8 7 Size #23 Contacts	<b>9 - 10</b> Shell Size 9 10 Size #23 Contacts
<b>11 - 19</b> Shell Size 11 19 Size #23 Contacts	<b>12 - 26</b> Shell Size 12 26 Size #23 Contacts	

Table IV: Shell Key Positions		
Key Position	Key Rotation	
	A°	B°
Normal (A)	150°	210°
B	75°	210°
C	95°	230°
D	140°	275°
E	75°	275°
F	95°	210°

Dimensions in Inches (millimeters) are subject to change without notice.

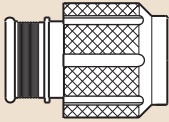
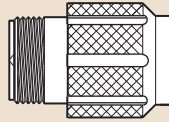


## Series 805 Mighty Mouse *High-Speed* Triple-Start ACME Threads Plug Connector 805-020 and 805-021 Ordering Information



**Glenair Series 805 Mighty Mouse High-Speed** connectors feature Triple-start modified stub ACME mating threads for improved protection against cross-mating and thread damage. Connector shells are machined aluminum or stainless steel. The connector is equipped with special PFA (Teflon) insulators and is optimized for use with high-speed differential wire such as our 963-001 cable. Five insert arrangements are offered with 4, 7, 10, 19 and 26 #23 AWG contacts, packaged separately. Terminate contacts with standard M22520 tools. Metal clips inside the connector body lock contact into place. Contacts are removable. Fluorosilicone seals and rear grommet protect connector from water ingress. Terminate cable shield directly to connector body with Band-Master™ ATS strap, or choose rear accessory thread to attach optional cable clamp or backshell.

How To Order								
<b>Sample Part Number</b>			<b>805-020</b>	<b>-16</b>	<b>M</b>	<b>9-10</b>	<b>P</b>	<b>A</b>
<b>Series (See Table I)</b>	<b>805-020</b> = With Banding Platform <b>805-021</b> = With Accessory Thread							
<b>Shell Style</b>	<b>-16</b> = Plug							
<b>Shell Material and Finish</b>	<b>M</b> = Aluminum / Electroless Nickel RoHS Compliant <b>NF</b> = Aluminum / Cadmium with Olive Drab Chromate <b>ZNU</b> = Aluminum / Zinc-Nickel with Black Chromate <b>MT</b> = Aluminum / Nickel-PTFE RoHS Compliant <b>Z1</b> = Stainless Steel / Passivated RoHS Compliant							
<b>Shell Size - Insert Arrangement</b>	<b>8-4, 8-7, 9-10, 11-19, 12-26</b> (See Page R-3)							
<b>Contact Type</b>	<b>Connector supplied with contacts</b> <b>P</b> = Pin <b>S</b> = Socket	<b>Connector supplied without contacts</b> <b>A</b> = Pin Connector, less contacts <b>B</b> = Socket Connector, less contacts	<b>Connector supplied with 30 AWG Crimp Barrel</b> <b>G</b> = #23 Pin <b>H</b> = #23 Socket					
<b>Shell Key Positions (See Table II)</b>	<b>A</b> = Normal <b>B</b> = Pos. B <b>C</b> = Pos. C <b>D</b> = Pos. D <b>E</b> = Pos. F <b>F</b> = Pos. F							

Table I: Series	
	
<b>805-020</b> Plug with Banding Platform	<b>805-021</b> Plug with Accessory Thread

Dimensions in Inches (millimeters) are subject to change without notice.

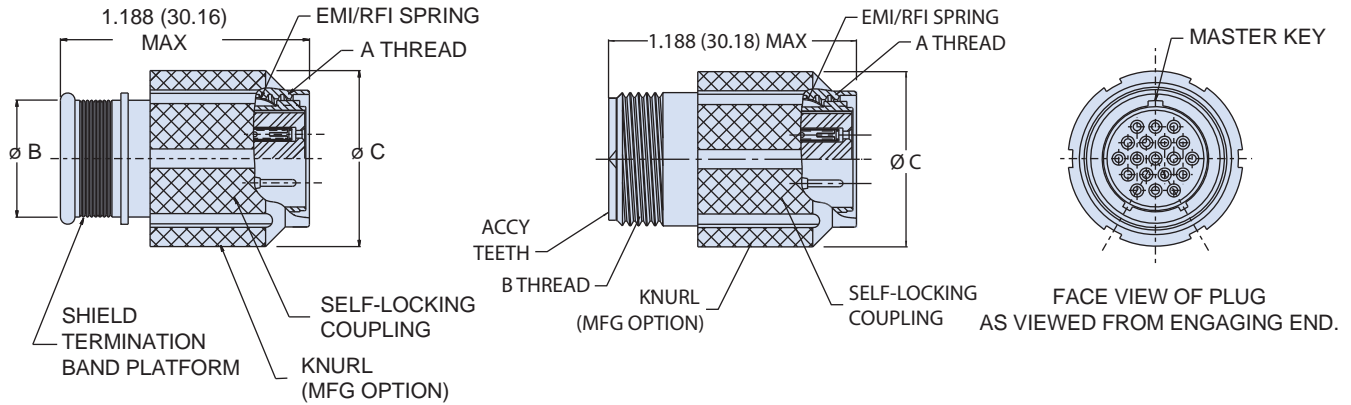
# Series 805 Mighty Mouse High-Speed Triple-Start ACME Threads Plug Connector

## 805-020 and 805-021 Dimensions



Series 805  
High-Speed

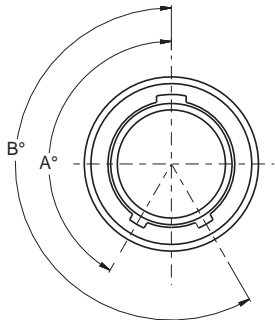
### Inline cable plug - shell style 16



**Integral Band Platform**  
845-020-16

**Accessory Thread**  
845-021-16

**Table II: Shell Key Positions**



Key Position	Key Rotation	
	A°	B°
Normal (A)	150°	210°
B	75°	210°
C	95°	230°
D	140°	275°
E	75°	275°
F	95°	210°

**Dimensions**

Shell Size	A Thread	B Thread	ø B	ø C
8	.5000-1P-3L-TS-2B	.3750-32 UNEF-2A	0.316	0.692
9	.5625-1P-3L-TS-2B	.4375-28 UNEF-2A	0.397	0.789
11	.6875-1P-3L-TS-2B	.5625-24 UNEF-2A	0.519	0.918
12	.7500-1P-3L-TS-2B	.6250-24 UNEF-2A	0.585	0.984

**With Grommet Removed**

High-Speed Performance	
Impedance	100 Ω ±7 Ω at 100-Picosecond
VSWR	<1.4 up to 4-GHz
Insertion Loss	
1 GHz	.51 dB
2 GHz	.53 dB
3 GHz	.57 dB
4 GHz	1.2 dB
5 GHz	1.25 dB

**With Grommet Intact**

High-Speed Performance	
Impedance	100 Ω ±15 Ω at 100-Picosecond
VSWR	<1.5 up to 3-GHz
Insertion Loss	
1 GHz	.73 dB
2 GHz	.76 dB
3 GHz	.85 dB

In order to achieve high speed performance, this connector must be mated to another high speed Mighty Mouse connector.

### NOTES

#### Material and Finish

- Plug barrel, coupling nut: aluminum alloy or stainless steel
- Insulator: PFA
- Interfacial seal, grommet seal: fluorosilicone
- Contact: copper alloy, 50 microinch gold plated per ATSM B 488, Type II, Code C, Class 1.25 (.00005 Min thk), over a suitable underplate
- EMI/RFI spring: beryllium copper/nickel plated

Dimensions in Inches (millimeters) are subject to change without notice.



# Series 805 Mighty Mouse High-Speed Triple-Start ACME Thread Receptacle Connector

## 805-022 and 805-023 Ordering Information



**Three Shell Mounting Options:** Jam nut with O-ring for rear panel mounting, square flange for front or rear panel mounting, or in-line receptacles for free-hanging cables.

**Two Shell Styles:** Choose integral band platform for direct attachment of a cable shield. Install a boot, or overmold a boot over the band platform. An accessory thread is available for attaching strain reliefs and backshells.

**Gold-Plated Crimp Contacts** are held in place with beryllium copper retention clips. Contacts are removable.

How To Order						
<b>Sample Part Number</b>	<b>805-023</b>	<b>-02</b>	<b>NF</b>	<b>9-10</b>	<b>P</b>	<b>A</b>
<b>Series (See Table I)</b>	<b>805-022</b> = Receptacle with Banding Platform <b>805-023</b> = Receptacle with Accessory Thread					
<b>Shell Style (See Table II)</b>	<b>-01</b> = In-line <b>-02</b> = Square Flange Front or Rear Mount <b>-12</b> = Square Flange Rear Mount Non-Locking Clinch Nuts <b>-22</b> = Square Flange Rear Mount Locking Clinch Nuts <b>-07</b> = Jam Nut for Rear Panel Mounting					
<b>Shell Material and Finish</b>	<b>M</b> = Aluminum / Electroless Nickel; RoHS Compliant <b>MT</b> = Aluminum / Nickel-PTFE RoHS Compliant <b>NF</b> = Aluminum / Cadmium with Olive Drab Chromate <b>ZNU</b> = Aluminum / Zinc-Nickel with Black Chromate <b>Z1</b> = Stainless Steel / Passivated; RoHS Compliant					
<b>Shell Size - Insert Arrangement</b>	<b>8-4, 8-7, 9-10, 11-19, 12-26</b> (See Page R-3)					
<b>Contact Type</b>	<b>With contacts</b> <b>P</b> = Pin <b>S</b> = Socket	<b>Without contacts</b> <b>A</b> = Pin Connector, less contacts <b>B</b> = Socket Connector, less contacts	<b>With 30 AWG Crimp Barrel</b> <b>G</b> = #23 Pin <b>H</b> = #23 Socket			
<b>Shell Key Positions (See Table III)</b>	<b>A</b> = Normal <b>B</b> = Pos. B <b>C</b> = Pos. C <b>D</b> = Pos. D <b>E</b> = Pos. E <b>F</b> = Pos. F					

R

Table I: Series	
<b>805-022</b> Receptacle with Banding Platform	<b>805-023</b> Receptacle with Accessory Thread

Table II: Shell Style		
<b>-01</b> Receptacle with Banding Platform	<b>-02, -12, -22</b> Square Flange	<b>-07</b> Jam Nut

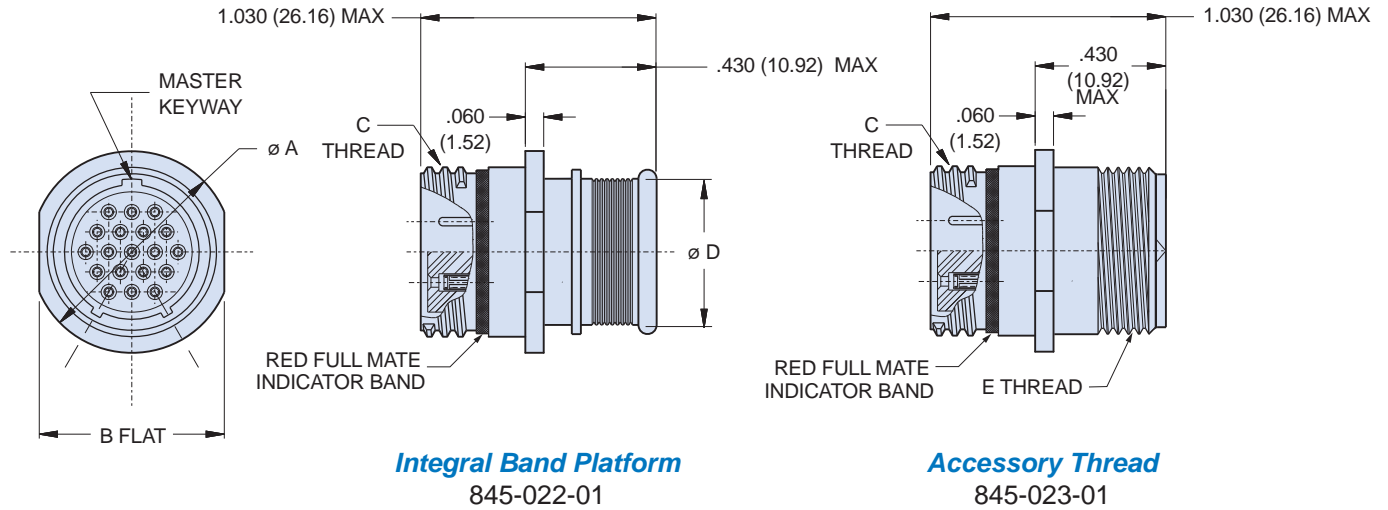
Dimensions in Inches (millimeters) are subject to change without notice.

**Series 805 Mighty Mouse High-Speed  
Triple-Start ACME Thread Receptacle Connector  
805-022 and 805-023 Dimensions**



Series 805  
High-Speed

**In-line cable receptacle - shell style 01**



**Integral Band Platform**  
845-022-01

**Accessory Thread**  
845-023-01

**Table III: Key Positions**

Key Position	Key Rotation	
	A	B
Normal (A)	150°	210°
B	75°	210°
C	95°	230°
D	140°	275°
E	75°	275°
F	95°	210°

**Dimensions**

Shell Size	Ø A		B Flat		C Thread	Ø D		E Accessory Thread
	In.	mm.	In.	mm.		In.	mm.	
8	.540	13.72	.510	12.95	.5000-1P-.3L-TS-2A	.316	8.05	.3750-32 UNEF-2A
9	.605	15.37	.575	14.61	.5625-1P-.3L-TS-2A	.397	10.08	.4375-28 UNEF-2A
11	.730	18.54	.700	17.78	.6875-1P-.3L-TS-2A	.519	13.18	.5625-24 UNEF-2A
12	.793	20.14	.763	19.38	.7500-1P-.3L-TS-2A	.585	14.86	.6250-24 UNEF-2A

**NOTES**

*Performance Specifications*

- Immersion, mated: MIL-STD-810 Method 512. One meter for one hour.

*Materials and Finishes*

- Connector shell: aluminum or stainless steel
- Insulator: liquid crystal polymer (LCP)
- Seals: fluorosilicone rubber, blue
- Pin contact: copper alloy, gold over nickel plating
- Socket contact: copper alloy, gold over nickel plating, with SST hood
- Contact retainer clip: beryllium copper, unplated

Dimensions in Inches (millimeters) are subject to change without notice.

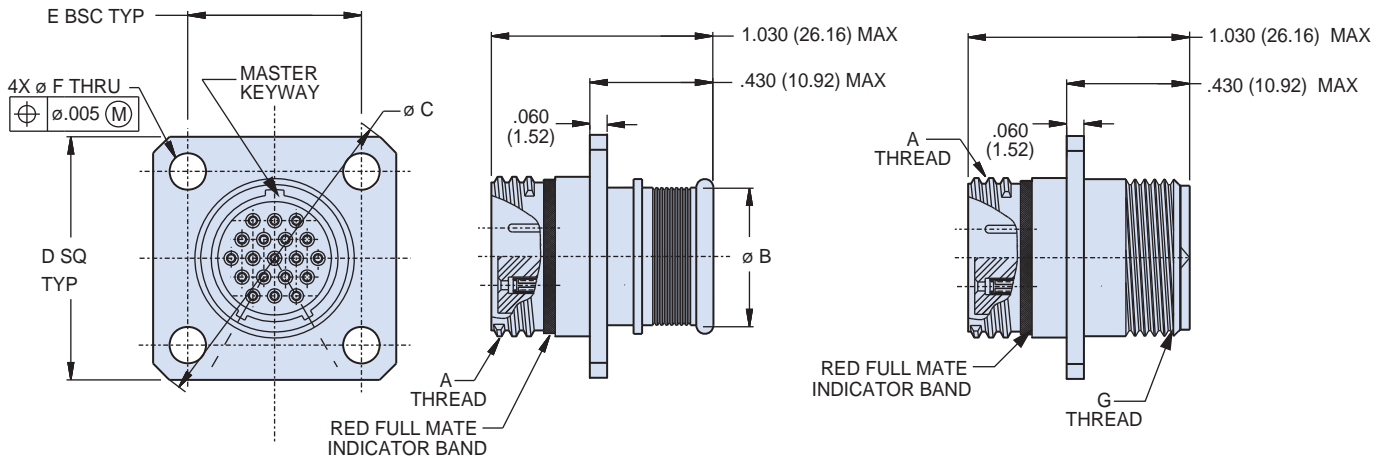






# Series 805 Mighty Mouse *High-Speed* Triple-Start ACME Thread Receptacle Connectors 805-022 and 805-023 Dimensions

## Square flange, front or rear panel mount receptacle - shell style 02



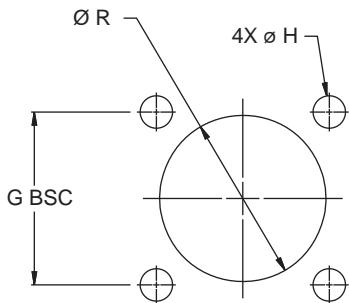
**Integral Band Platform**  
845-022-02

**Accessory Thread**  
845-023-02

### Dimensions

Shell Size	A Thread	$\varnothing$ B		$\varnothing$ C		D SQ TYP		E BSC		$\varnothing$ F		G Accessory Thread
		In.	mm.	In.	mm.	In.	mm.	In.	mm.	In.	mm.	
										$\pm$ .003	$\pm$ .08	
8	.5000-.1P-.3L-TS-2A	.316	8.05	1.150	29.21	.850	21.59	.660	16.76	.096 .091	2.44 2.31	.3750-32 UNEF-2A
9	.5625-.1P-.3L-TS-2A	.397	10.08	1.230	31.24	.913	23.19	.723	18.36			.4375-28 UNEF-2A
11	.6875-.1P-.3L-TS-2A	.519	13.18	1.410	35.81	1.039	26.39	.848	21.54			.5625-24 UNEF-2A
12	.7500-.1P-.3L-TS-2A	.585	14.86	1.500	38.10	1.099	27.91	.909	23.09			.6250-24 UNEF-2A

R



### Square Flange Panel Cutout

Shell Size	N Flat		$\varnothing$ H		$\varnothing$ P	
	In.	mm.	In.	mm.	In.	mm.
8	.660	16.76	.096 .091	2.44 2.31	.575	14.61
					.571	14.50
9	.723	18.36			.700	17.78
					.696	17.68
11	.848	21.54	.762	19.35		
			.758	19.25		
12	.909	23.09	.825	20.95		
			.821	20.85		

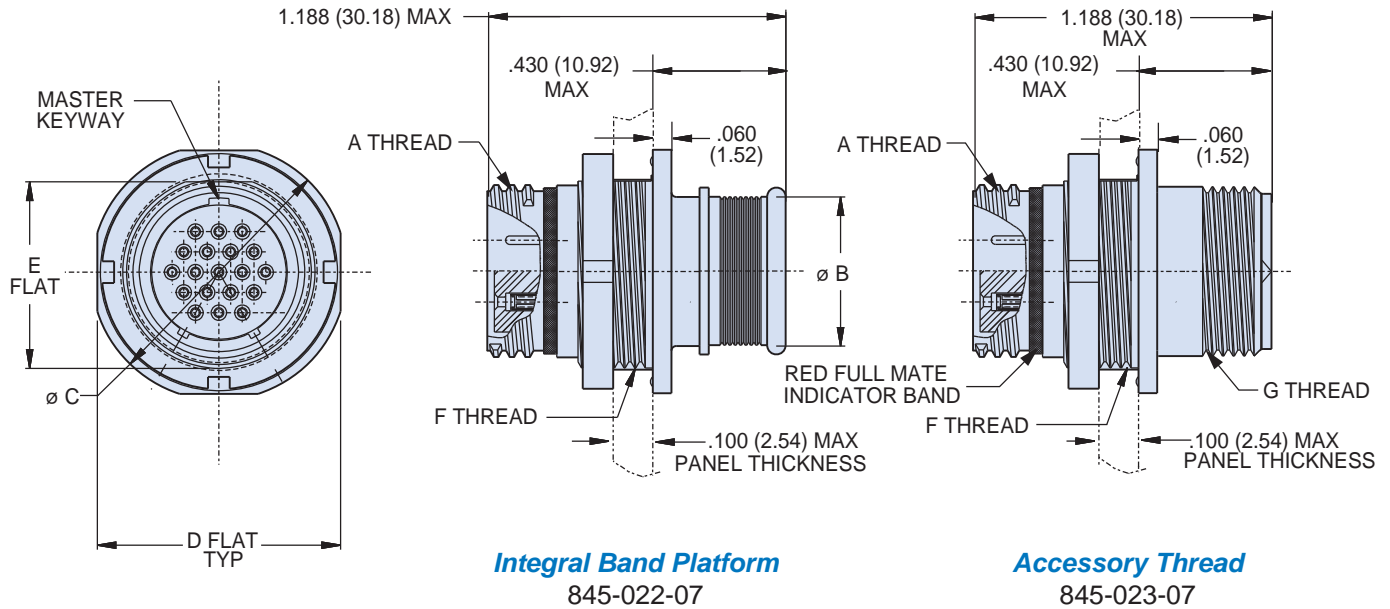
Dimensions in Inches (millimeters) are subject to change without notice.

**Series 805 Mighty Mouse High-Speed  
Triple-Start ACME Thread Receptacle Connectors  
805-022 and 805-023 Shell Style -07 Dimensions**



Series 805  
High-Speed

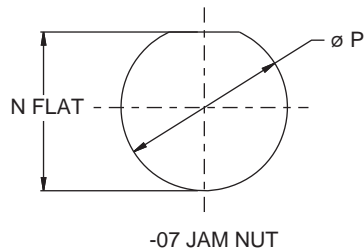
**Jam nut rear panel mount receptacle - shell style 07**



**Integral Band Platform**  
845-022-07

**Accessory Thread**  
845-023-07

Dimensions											
Shell Size	A Thread	Ø B		Ø C		D Flat		E Flat		F Thread	G Accessory Thread
		In.	mm.	In.	mm.	In.	mm.	In.	mm.		
8	.5000-1P-3L-TS-2A	.316	8.03	.760	19.30	.730	18.54	.535	13.59	.5625-28 UNEF-2A	.3750-32 UNEF-2A
9	.5625-1P-3L-TS-2A	.397	10.08	.880	22.35	.850	21.59	.661	16.79	.6875-28 UN-2A	.4375-28 UNEF-2A
11	.6875-1P-3L-TS-2A	.519	13.18	.955	24.26	.925	23.50	.721	18.31	.7500-28 UN-2A	.5625-24 UNEF-2A
12	.7500-1P-3L-TS-2A	.585	14.86	1.060	26.92	1.035	26.29	.784	19.91	.8125-28 UN-2A	.6250-24 UNEF-2A



Jam Nut Panel Cutout				
Shell Size	N Flat		Ø P	
	In.	mm.	In.	mm.
8	.547	13.89	.575	14.61
	.543	13.79	.571	14.50
9	.673	17.09	.700	17.78
	.669	16.99	.696	17.68
11	.733	18.62	.762	19.35
	.729	18.52	.758	19.25
12	.796	20.22	.825	20.95
	.792	20.12	.821	20.85

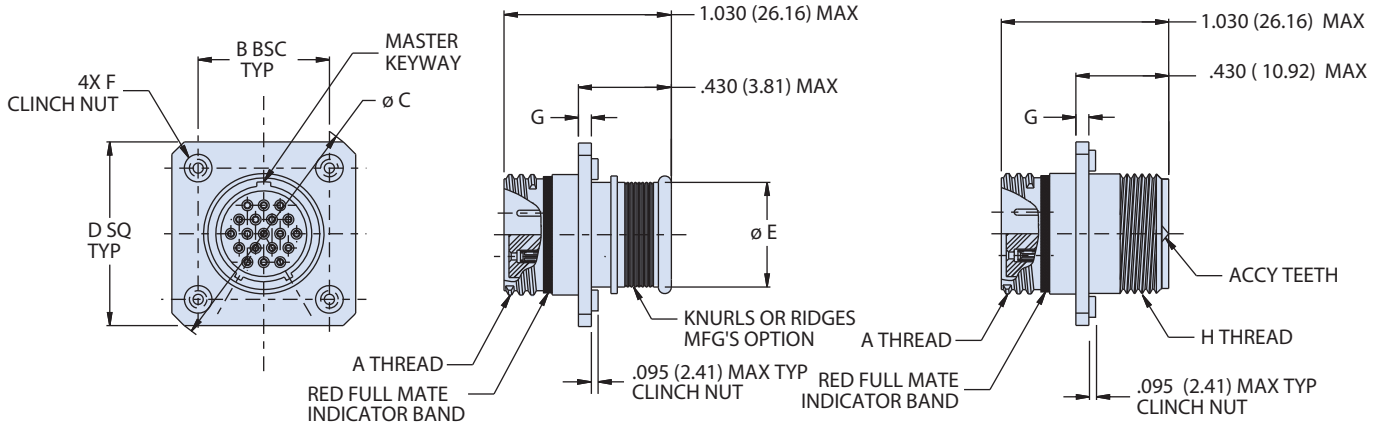
Dimensions in Inches (millimeters) are subject to change without notice.



# Series 805 Mighty Mouse High-Speed Triple-Start ACME Thread Receptacle Connectors

## 805-022 and 805-023 Dimensions

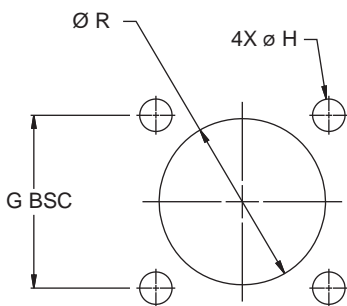
### Square flange, rear panel mount receptacle - shell style 12 or 22



**Integral Band Platform**  
845-022-12/22

**Accessory Thread**  
845-023-12/22

Dimensions												
Shell Size	A Thread	B BSC		ØC		D SQ		Ø E		F Clinch Nuts	G	H Thread
		in.	mm.	in.	mm.	in.	mm.	in.	mm.			
8	.5000-.1P-.3L-TS-2A	0.660	16.76	1.194	30.33	0.920	23.37	.316	8.03	2-56	.030 (.76)	.3750-32 UNEF-2A
9	.5625-.1P-.3L-TS-2A	0.723	18.36	1.283	32.59	0.983	24.97	.397	10.08			.4375-28 UNEF-2A
11	.6875-.1P-.3L-TS-2A	0.848	21.54	1.460	37.08	1.104	28.04	.519	13.18			.5625-24 UNEF-2A
12	.7500-.1P-.3L-TS-2A	0.909	23.09	1.546	39.27	1.169	29.69	.585	14.86			.6250-24 UNEF-2A



Square Flange Panel Cutout						
Shell Size	N Flat		Ø H		Ø P	
	In.	mm.	In.	mm.	In.	mm.
8	.660	16.76	.096	2.44	.575	14.61
					.571	14.50
9	.723	18.36			.700	17.78
					.696	17.68
11	.848	21.54	.091	2.31	.762	19.35
					.758	19.25
12	.909	23.09			.825	20.95
					.821	20.85

Dimensions in Inches (millimeters) are subject to change without notice.

# Series 805 eSATA Cordsets

Mighty Mouse *High-Speed* Back-to-Back  
eSATA Cordset with Triple-Start ACME Threads  
805-112 Ordering Information



Series 805  
High-Speed

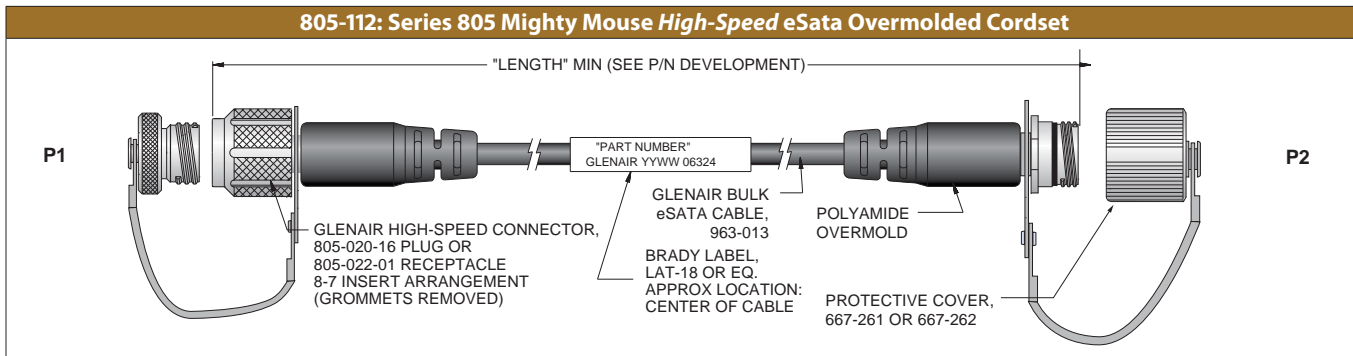


**100 Ohm differential parallel pair cordsets optimized for eSATA, Ethernet, and USB protocols**

### Series 805 High-Speed cordsets

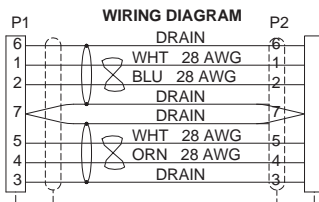
For optimal data transmission performance and environmental sealing, choose Glenair high-speed cordsets. Factory-terminated connectors have their rear grommets removed to maintain the construction of the matched-impedance pair cable through the connector for improved high-speed performance. Cordsets are sealed with either rugged polyamide overmold or a factory-installed heat shrink boot for strain relief and environmental sealing against moisture and contamination. Choose "Back to Back" versions with Series 80 Mighty Mouse *High-Speed* connectors on both ends, or cordsets terminated to industry-standard commercial connectors. Order with or without metal protective covers. All cordsets are 100% electrically tested for shorts, continuity, and IR 200 Megohms minimum.

### 805-112: Series 805 Mighty Mouse *High-Speed* eSata Overmolded Cordset



### How To Order

Sample Part Number	805-112	-A	D	NF	N	A	-48
<b>Series</b>	805-112 = Back-to-Back eSATA Overmolded cordset						
<b>P1 Connector</b>	-A = Plug, Pin Contacts      -B = Plug, Socket Contacts						
	-C = Receptacle Pin Contacts      -D = Receptacle, Socket Contacts						
<b>P2 Connector</b>	A = Plug, Pin Contacts      B = Plug, Socket Contacts						
	C = Receptacle, Pin Contacts      D = Receptacle, Socket Contacts						
	N = No Connector (Single-Ended)						
<b>Shell Material / Finish</b>	M = Aluminum / Electroless Nickel RoHS Compliant						
	NF = Aluminum / Cadmium with Olive Drab Chromate						
	ZNU = Aluminum / Zinc-Nickel with Black Chromate						
	MT = Aluminum / Nickel-PTFE, RoHS Compliant						
	Z1 = Stainless Steel / Passivated RoHS Compliant						
<b>Protective Cover</b>	P = Metal Protective Covers Included    N = No Covers Supplied						
<b>Shell Key Pos. (See Page N3)</b>	A (Normal), B, C, D, E, F						
<b>Length</b>	Overall Length In Inches 78" Max						



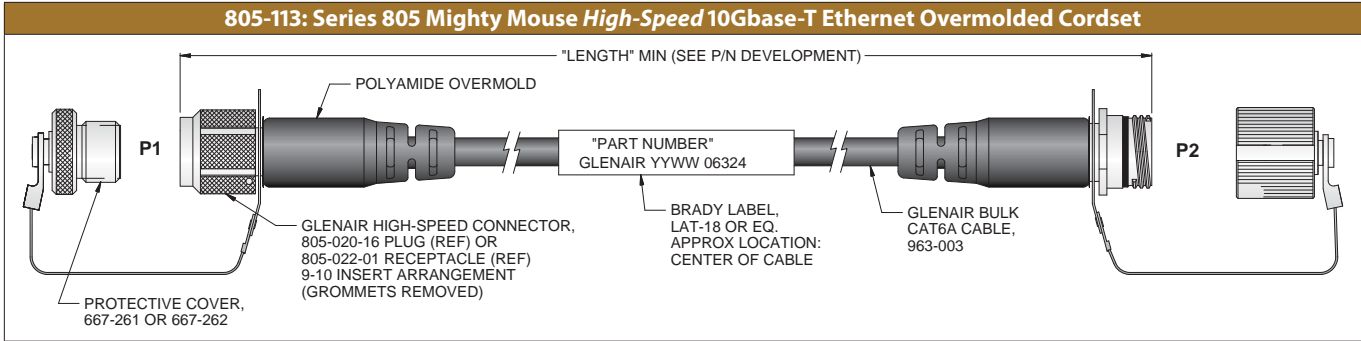
Dimensions in Inches (millimeters) are subject to change without notice.



# Series 805 10Gbase-T Ethernet Cordsets

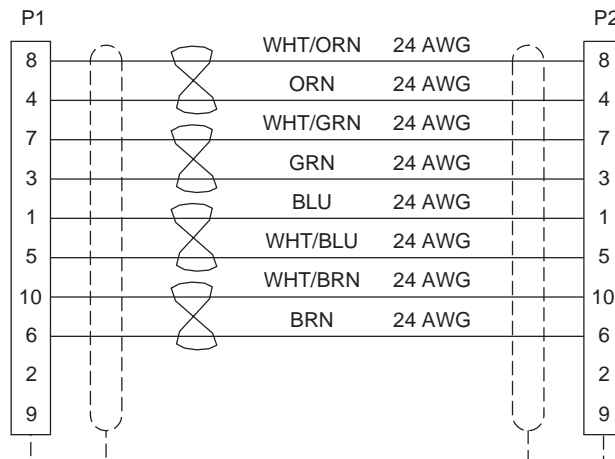
## Mighty Mouse *High-Speed* Back-to-Back 10Gbase-T Cordset with Triple-Start ACME Threads

### 805-113 Ordering Information



How To Order		805-113	-A	D	NF	N	A	-48
<b>Sample Part Number</b>								
<b>Series</b>	<b>805-113</b> = Back-to-Back 10Gbase-T Ethernet Overmolded cordset							
<b>P1 Connector</b>	-A = Plug, Contacts -B = Plug, Socket Contacts -C = Receptacle Pin Contacts -D = Receptacle, Socket Contacts							
<b>P2 Connector</b>	A = Plug, Pin Contacts B = Plug, Socket Contacts C = Receptacle, Pin Contacts D = Receptacle, Socket Contacts N = No Connector (Single-Ended)							
<b>Shell Material / Finish</b>	M = Aluminum / Electroless Nickel RoHS Compliant NF = Aluminum / Cadmium with Olive Drab Chromate ZNU = Aluminum / Zinc-Nickel with Black Chromate MT = Aluminum / Nickel-PTFE, RoHS Compliant Z1 = Stainless Steel / Passivated RoHS Compliant							
<b>Protective Cover</b>	P = Metal Protective Covers Included N = No Covers Supplied							
<b>Shell Key Pos. (See Page N3)</b>	A (Normal), B, C, D							
<b>Length</b>	Overall Length In Inches 78" Max							

#### WIRING DIAGRAM



Dimensions in Inches (millimeters) are subject to change without notice.

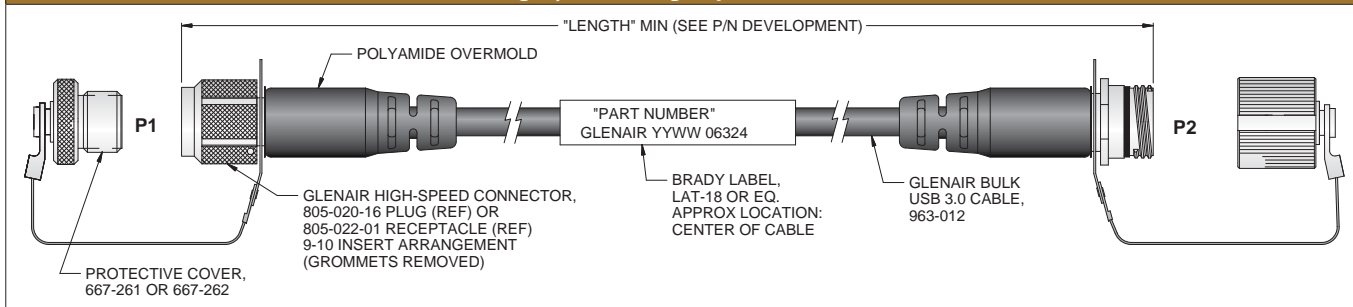
# Series 805 USB 3.0 Cordsets

## Mighty Mouse High-Speed Back-to-Back eSATA Cordset with Triple-Start ACME Threads 805-114 Ordering Information



Series 805  
High-Speed

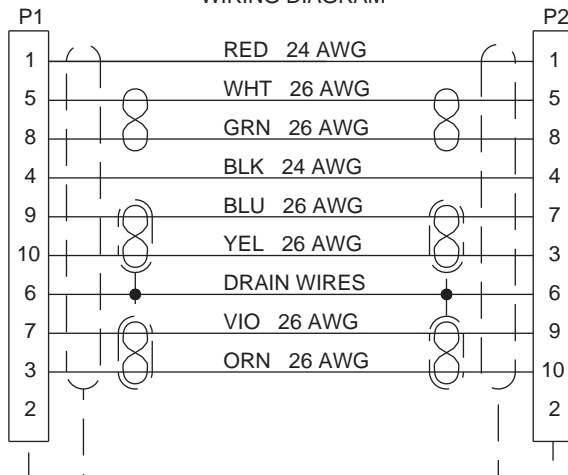
### 805-114: Series 805 Mighty Mouse High-Speed USB 3.0 Overmolded Cordset



### How To Order

Sample Part Number	805-114	-A	D	NF	N	A	-48
Series	805-114 = Back-to-Back High-Speed USB 3.0 Overmolded cordset						
P1 Connector	-A = Plug, Pin Contacts -C = Receptacle Pin Contacts		-B = Plug, Socket Contacts -D = Receptacle, Socket Contacts				
P2 Connector	A = Plug, Pin Contacts C = Receptacle, Pin Contacts N = No Connector (Single-Ended)		B = Plug, Socket Contacts D = Receptacle, Socket Contacts				
Shell Material / Finish	M = Aluminum / Electroless Nickel RoHS Compliant NF = Aluminum / Cadmium with Olive Drab Chromate ZNU = Aluminum / Zinc-Nickel with Black Chromate MT = Aluminum / Nickel-PTFE, RoHS Compliant Z1 = Stainless Steel / Passivated RoHS Compliant						
Protective Cover	P = Metal Protective Covers Included N = No Covers Supplied						
Shell Key Pos. (See Page N3)	A (Normal), B, C, D						
Length	Overall Length In Inches 118" Max						

### WIRING DIAGRAM



Dimensions in Inches (millimeters) are subject to change without notice.





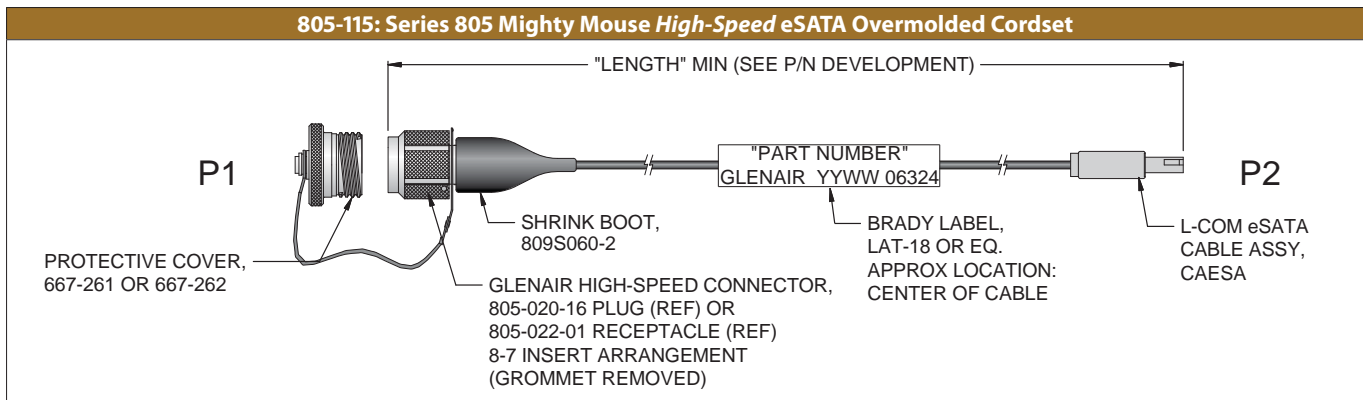
## Series 805 eSATA Cordsets

Mighty Mouse *High-Speed* Cordset with Triple-Start ACME Threads to Industry Standard L-COM Connector  
805-115 Ordering Information

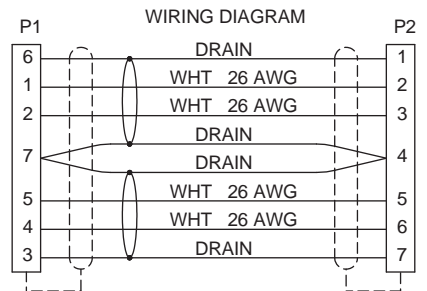


### Series 805 High-Speed cordsets

For optimal data transmission performance and environmental sealing, choose Glenair high-speed cordsets. Factory-terminated connectors have their rear grommets removed to maintain the construction of the matched-impedance pair cable through the connector for improved high-speed performance. Cordsets are sealed with either rugged polyamide overmold or a factory-installed heat shrink boot for strain relief and environmental sealing against moisture and contamination. Cordsets are terminated to industry-standard commercial connectors. Order with or without metal protective covers. All cordsets are 100% electrically tested for shorts, continuity, and IR 200 Megohms minimum.



How To Order						
Sample Part Number	<b>805-115</b>	<b>-A</b>	<b>NF</b>	<b>N</b>	<b>A</b>	<b>-48</b>
Series	<b>805-115</b> = Back-to-Back eSATA Overmolded cordset.					
P1 Connector	<b>-A</b> = Plug with Pin Contacts <b>-B</b> = Plug with Socket Contacts <b>-C</b> = Receptacle with Pin Contacts <b>-D</b> = Receptacle with Socket Contacts					
Shell Material / Finish	<b>M</b> = Aluminum / Electroless Nickel RoHS Compliant <b>NF</b> = Aluminum / Cadmium with Olive Drab Chromate <b>ZNU</b> = Aluminum / Zinc-Nickel with Black Chromate <b>MT</b> = Aluminum / Nickel-PTFE, RoHS Compliant <b>Z1</b> = Stainless Steel / Passivated RoHS Compliant					
Protective Cover	<b>P</b> = Metal Protective Covers Included <b>N</b> = No Covers Supplied					
Shell Key Pos. (See Page Q3)	<b>A</b> (Normal), <b>B, C, D, E, F</b>					
Length	Overall Length In Inches 76" Max					

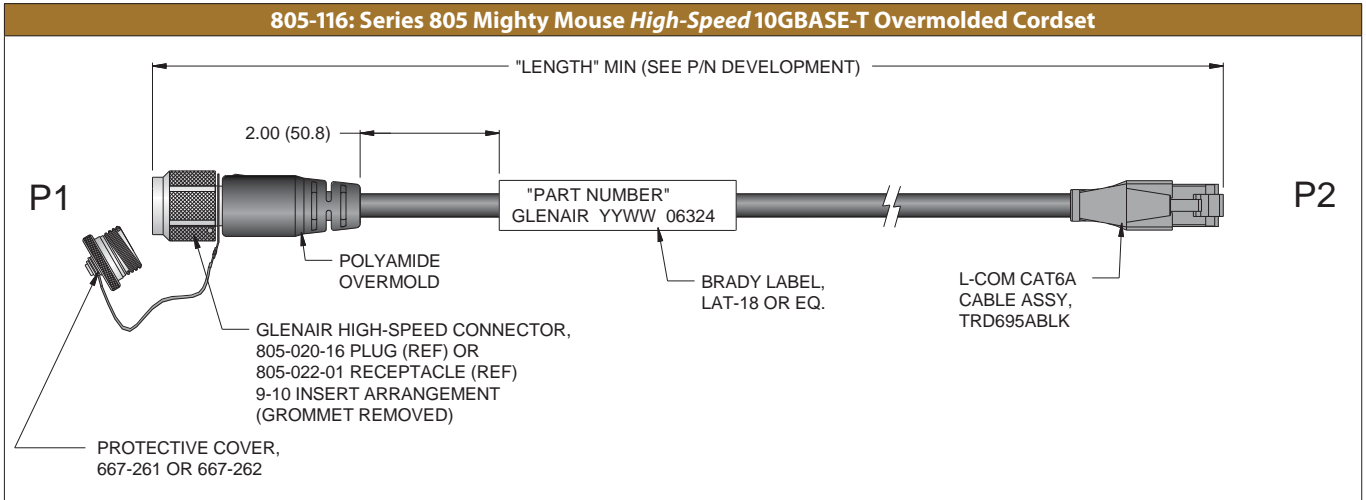


Dimensions in Inches (millimeters) are subject to change without notice.

**Series 805 10GBASE-T Cat 6a Ethernet Cordsets**  
**Mighty Mouse High-Speed Connector with Triple-Start ACME**  
**Threads to Industry Standard CAT 6A Connector**  
**805-116 Ordering Information**



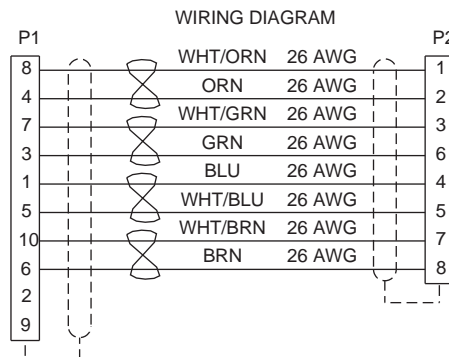
Series 805  
High-Speed



How To Order						
<b>Sample Part Number</b>	<b>805-116</b>	<b>-A</b>	<b>NF</b>	<b>N</b>	<b>A</b>	<b>-48</b>
<b>Series</b>	805-116 = Series 805 Mighty Mouse to CAT 6a Overmolded cordset.					
<b>P1 Connector</b>	-A = Plug with Pin Contacts -B = Plug with Socket Contacts -C = Receptacle with Pin Contacts -D = Receptacle with Socket Contacts					
<b>Shell Material / Finish</b>	M = Aluminum / Electroless Nickel RoHS Compliant NF = Aluminum / Cadmium with Olive Drab Chromate ZNU = Aluminum / Zinc-Nickel with Black Chromate MT = Aluminum / Nickel-PTFE, RoHS Compliant Z1 = Stainless Steel / Passivated RoHS Compliant					
<b>Protective Cover</b>	P = Metal Protective Covers Included N = No Covers Supplied					
<b>Shell Key Position (See Table I)</b>	A (Normal), B, C, D, E, F					
<b>Length</b>	Overall Length In Inches					

**Table I: Shell Key Positions**

Key Position	Key Rotation	
	A°	B°
Normal (A)	150°	210°
B	75°	210°
C	95°	230°
D	140°	275°
E	75°	275°
F	95°	210°



Dimensions in Inches (millimeters) are subject to change without notice.

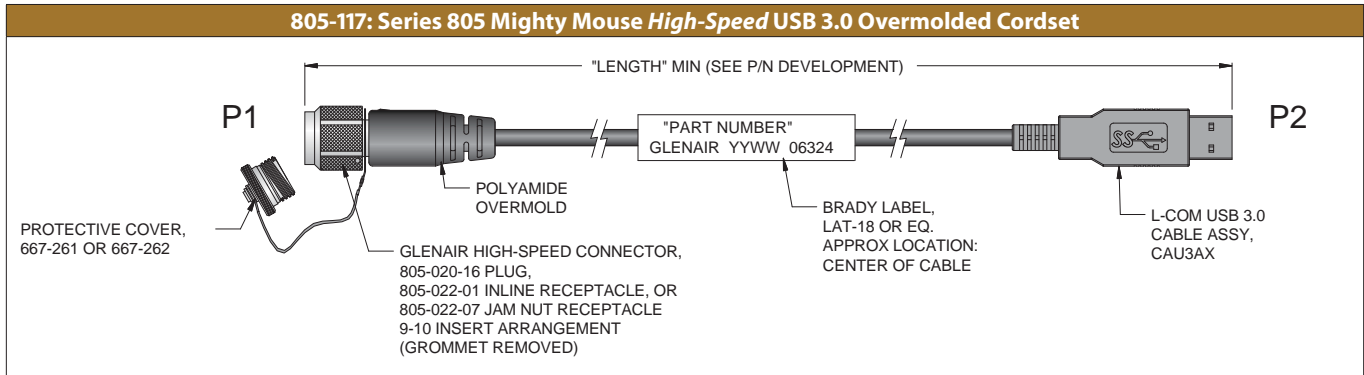
**R**





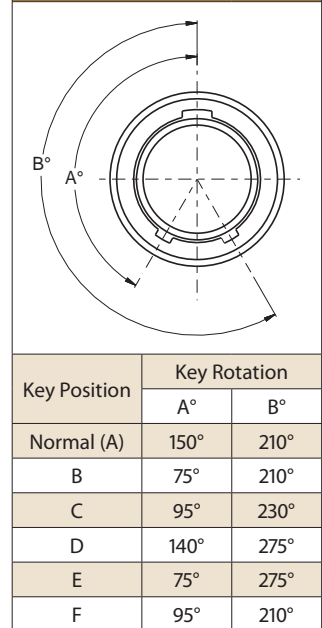
# Series 805 USB 3.0 Cordsets

Mighty Mouse *High-Speed* Connector with Triple-Start ACME Threads to Industry Standard USB 3.0 Connector  
805-117 Ordering Information

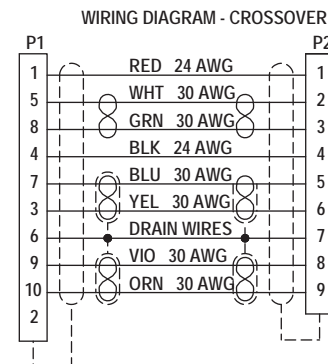
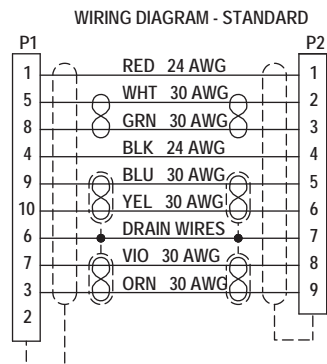


How To Order	
<b>Sample Part Number</b>	<b>805-117</b> -A NF N A -48 X
<b>Series</b>	<b>805-117</b> = Series 805 Mighty Mouse to USB 3.0 Overmolded Cordset.
<b>P1 Connector</b>	-A = Plug with Pin Contacts -B = Plug with Socket Contacts -C = Receptacle with Pin Contacts -D = Receptacle with Socket Contacts
<b>Shell Material / Finish</b>	M = Aluminum / Electroless Nickel RoHS Compliant NF = Aluminum / Cadmium with Olive Drab Chromate ZNU = Aluminum / Zinc-Nickel with Black Chromate MT = Aluminum / Nickel-PTFE, RoHS Compliant Z1 = Stainless Steel / Passivated RoHS Compliant
<b>Protective Cover</b>	P = Metal Protective Covers Included N = No Covers Supplied
<b>Shell Key Position (See Table I)</b>	A (Normal), B, C, D, E, F
<b>Length</b>	Overall Length In Inches 115" Max
<b>Wiring</b>	X = Crossover (Omit for Standard)

**Table I: Shell Key Positions**



R



Dimensions in Inches (millimeters) are subject to change without notice.

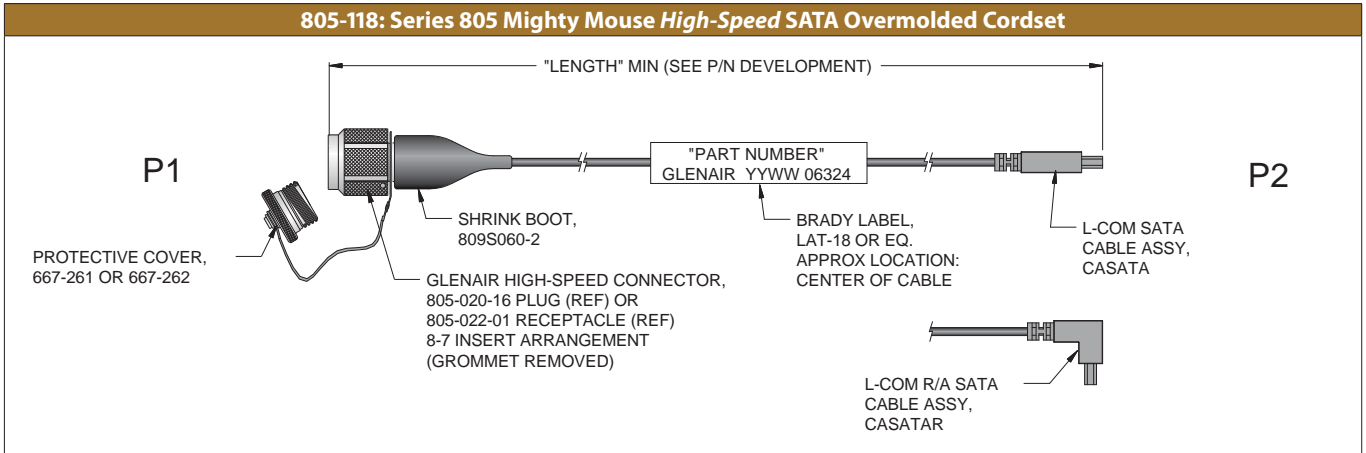
# Series 805 SATA Cordsets

Mighty Mouse *High-Speed* Connector with Triple-Start ACME Threads to Straight or 90° Industry Standard SATA Connector  
805-118 Ordering Information



Series 805  
High-Speed

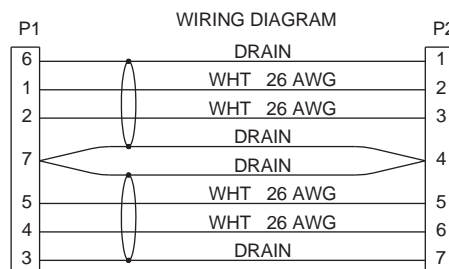
## 805-118: Series 805 Mighty Mouse *High-Speed* SATA Overmolded Cordset



How To Order							
Sample Part Number	805-118	-A	NF	N	A	S	-48
Series	805-116 = Series 805 Mighty Mouse to SATA Overmolded cordset.						
P1 Connector	-A = Plug with Pin Contacts -B = Plug with Socket Contacts -C = Receptacle with Pin Contacts -D = Receptacle with Socket Contacts						
Shell Material / Finish	M = Aluminum / Electroless Nickel RoHS Compliant NF = Aluminum / Cadmium with Olive Drab Chromate ZNU = Aluminum / Zinc-Nickel with Black Chromate MT = Aluminum / Nickel-PTFE, RoHS Compliant Z1 = Stainless Steel / Passivated RoHS Compliant						
Protective Cover	P = Metal Protective Covers Included N = No Covers Supplied						
Shell Key Position (See Table I)	A (Normal), B, C, D, E, F						
P2 Connector Configuration	R = Right-Angle S = Straight						
Length	Overall Length In Inches						

Table I: Shell Key Positions

Key Position	Key Rotation	
	A°	B°
Normal (A)	150°	210°
B	75°	210°
C	95°	230°
D	140°	275°
E	75°	275°
F	95°	210°



Dimensions in Inches (millimeters) are subject to change without notice.

SERIES 80  
ULTRA-TWINAX

# ULTRA-TWINAX SIZE #12 MIGHTY MOUSE



The industry's smallest ruggedized impedance-matched twinax connector solution for multi-gigabit applications



**G**lenair high-speed differential impedance contacts are suited for multi-gigabit data rate applications such as CML, LVDS and other advanced digital communications protocols. Our Twinax contacts are exactly engineered and manufactured using the best available materials and manufacturing processes. Conductive elements are gold-plated copper alloy. Dielectrics are high-performance fluorocarbon. These contacts are engineered for use with our ultraminiature Series 80 Mighty Mouse connectors—specifically for use in 100-ohm nominal impedance applications and Glenair 963-001 differential pair cable.



Glenair, Inc.  
1211 Air Way  
Glendale, CA  
91201-2497  
818-247-6000  
sales@glenair.com  
www.glenair.com

Series 801 Miniature Connectors  
with Size #12 Ultra-Twinax Contacts  
Table of Contents and Introduction



Ultra-Twinax

**PRODUCT SELECTION GUIDE**



**853-015 and 853-016**

Size #12 Differential Twinax Cable Contacts and PC Tail contacts and Contact  
Assembly Instructions

**Page S-4**



**801-007 and 801-008**

Plugs

**Page S-10**



**801-009 and 801-010**

In-Line, Square Flange and Jam Nut Receptacles

**Page S-12**

**S**

Dimensions in Inches (millimeters) are subject to change without notice.

## Series 801 Ultraminiature Connectors with Size #12 Ultra-Twinax Contacts General Information



### Mighty Mouse connectors with size #12 Ultra-Twinax differential Twinax contacts

New Mighty Mouse contact arrangements accept size #12 Ultra-Twinax contacts for multi-gigabit data rate applications. Series 801 Mighty Mouse plugs feature damage-resistant double-start ACME mating threads. Available with anti-decoupling feature or vibration-resistant ratchet mechanism, these plugs are supplied with #12 Ultra-Twinax contacts (contact types P or S). Or, specify contact types A or B for connectors supplied less contacts for use with twinax contacts purchased separately. Connector shells are aluminum or stainless steel, with thermoplastic insulators and fluorosilicone rubber seals.

#### About Keyed Contacts

Series 80 Mighty Mouse connectors with size #12 cavities have an alignment slot inside the contact cavity. Differential twinax contacts have an alignment key to properly orient the contact.

All Ultra-Twinax connectors ordered from this catalog will include the **-688** mod code at the end of the part number to specify insulators with keyways for use with keyed differential twinax contacts.

#### Alignment Keys



#### NOTES

##### Basic Specifications: Series 80

- Current Rating Size #12 Twinax Contacts: 1 Amp
- Voltage rating (DWV): 1800 VAC Sea Level
- Insulation Resistance: 5000 megohms minimum
- Operating Temperature: -65° C. to +165° C.
- Shock: 300 g.
- Vibration: 37 g.
- Shielding Effectiveness: 55 dB minimum from 100MHz to 1000MHz.

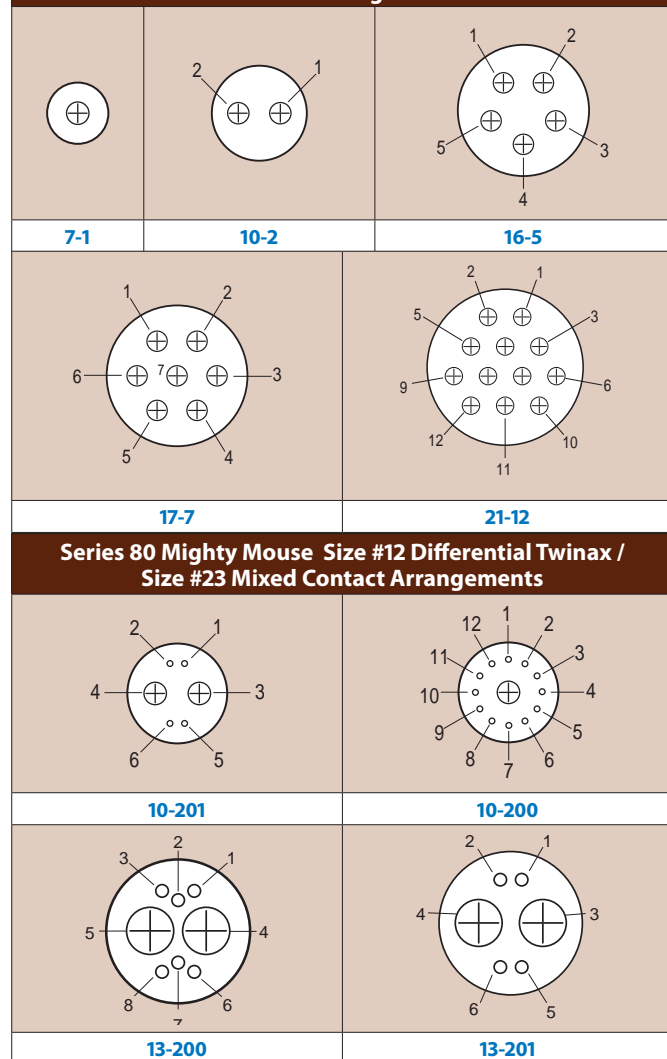
See Section B for complete performance specifications.

##### Materials and Finishes: Series 80

- Shells, Jam Nuts: Aluminum alloy or stainless steel
- Size #12 Twinax contacts: Copper alloy, gold plated
- Insulator: Liquid crystal polymer (LCP)
- Contact Retention Clip: Copper alloy
- Interfacial Seal, O-rings, Wire Sealing Grommet: Fluorosilicone rubber

See Section B for complete material/finish specs.

#### Series 80 Mighty Mouse Size #12 Differential Twinax Contact Arrangements



Dimensions in Inches (millimeters) are subject to change without notice.

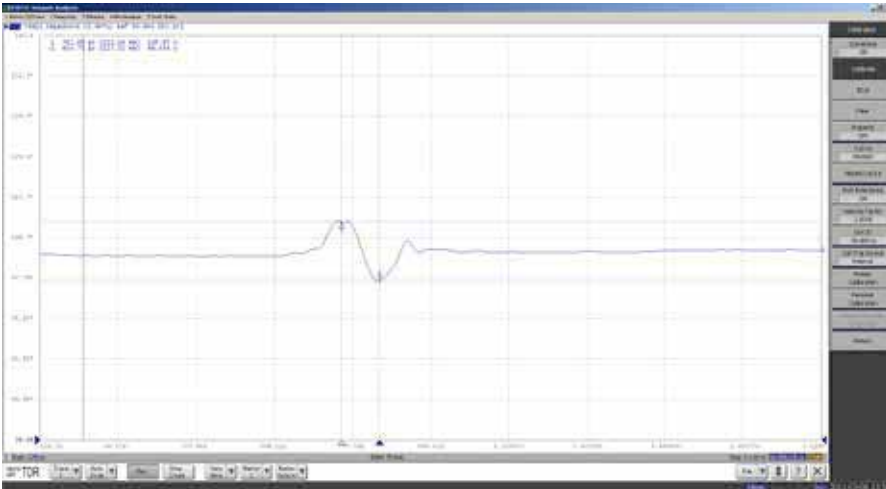
# Series 801 Ultraminiature Connectors with Size #12 Ultra-Twinax Contacts General Information



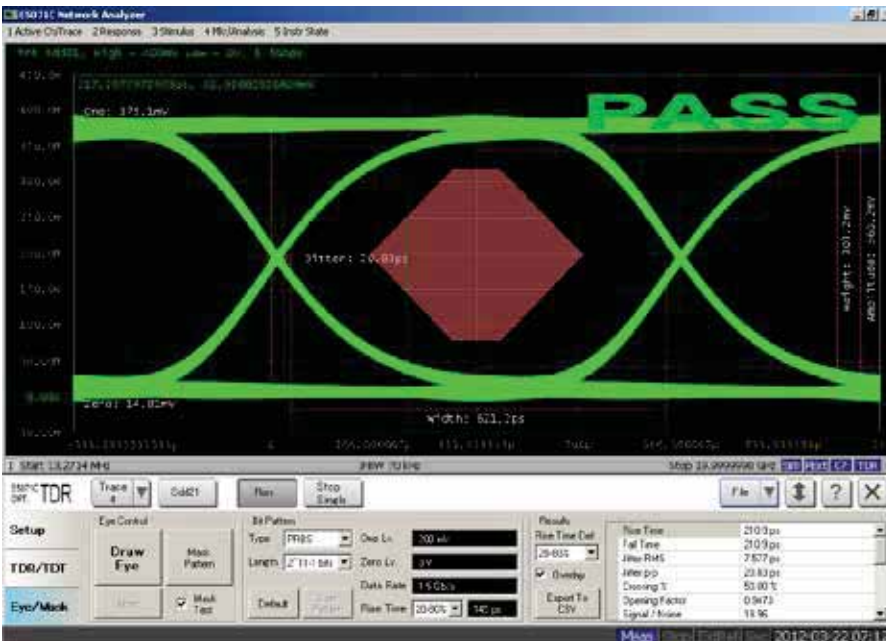
Ultra-Twinax

## Mighty Mouse size #12 Ultra-Twinax test data

**TDR Impedance Measurement through Mated Pair of Contacts with 50 Picosecond Pulse (Equivalent to 20 Ghz)**



**Eye Pattern Test With a Sata 1 Mask (1.5 Gbps/Second)**



### Double-Start ACME Threads

resist cross-threading and shearing. These aerospace-grade Series 801 plugs feature 1½ turns of the coupling nut to full mating.

**Integrated Rear Accessory Threads:** for attaching a strain relief backshell.

### Printed Circuit Board

versions with precision machined low profile shells.

### Harsh Environment:

fluorosilicone seals, aluminum or stainless steel shells, and gold-plated copper alloy contacts for superior performance in demanding applications.

### High Speed:

Size #12 Ultra-Twinax contacts are optimized for advanced digital communication protocols such as CML and LVDS.

Dimensions in Inches (millimeters) are subject to change without notice.





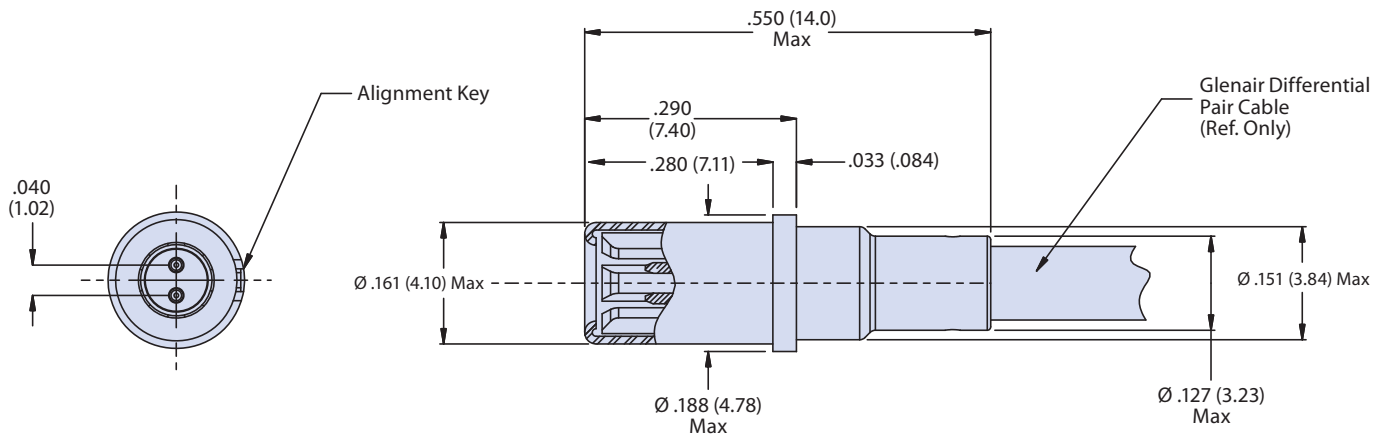
## Size #12 Differential Twinax Cable Socket Contact for Use with Mighty Mouse and Series 79 Micro-Crimp 853-015-01 Ordering Information

### Size #12 differential twinax socket contact for multi-gigabit applications



These solder terminated #12 twinax socket contacts accept 100 ohm differential parallel pair data cable. Current rating is 1 Amp. DWV rating is 500 VAC sea level, 125 VAC at 70,000 feet. Contacts are packaged individually and shipped unassembled with instruction sheet. One contact consists of outer contact, insulator assembly and crimp sleeve. All contacts are gold-plated copper alloy. 5000 megohm insulation resistance at 200VDC. Mates with: 853-016-01 (cable pin) and 853-021-01 (PC tail pin). Ideally suited for multi-gigabit data rate applications.

Type	Glenair Part No.	Military Part No.	AWG Wire Size	Cable Accommodation	Impedance	Frequency Range	VSWR	Insertion Loss
Socket	853-015-01	N/A	28	963-001	100-Ohms Nominal	DC to 10 GHz	1.1 + (.03 * F GHz)	1.3 * F GHz



#### NOTES

##### Material and Finish

- Contact Body: Copper Alloy/Gold Plated
- Center Contact: Copper Alloy/Gold Plated
- Crimp Sleeve: Brass or equivalent/Gold Plated

##### Electrical Parameters

- Differential Impedance: 100-ohms nominal
- Frequency Range: DC to 10 Ghz
- VSWR: 1.1+(.03\* F GHz)
- Insertion Loss: 1/3\* F GHz
- Dielectric Withstanding Voltage: 500 VRMS
- Insulation Resistance: 5000 Megohms minimum

##### Additional Information

- Contact is designed to accommodate Glenair P/N 963-001 cable.
- For assembly instructions, see A185014
- Socket mates with cable pin contact 853-016-01 and PC tail pin 853-021-01
- For use in Glenair Series 80 Mighty Mouse and Series 79 Micro-Crimp connectors only.

Optimized For Use With  
963-001  
Differential Pair Cable



S

Dimensions in Inches (millimeters) are subject to change without notice.

# Size #12 Differential Twinax Cable Pin Contact for Use with Mighty Mouse and Series 79 Micro-Crimp 853-016-01 Ordering Information



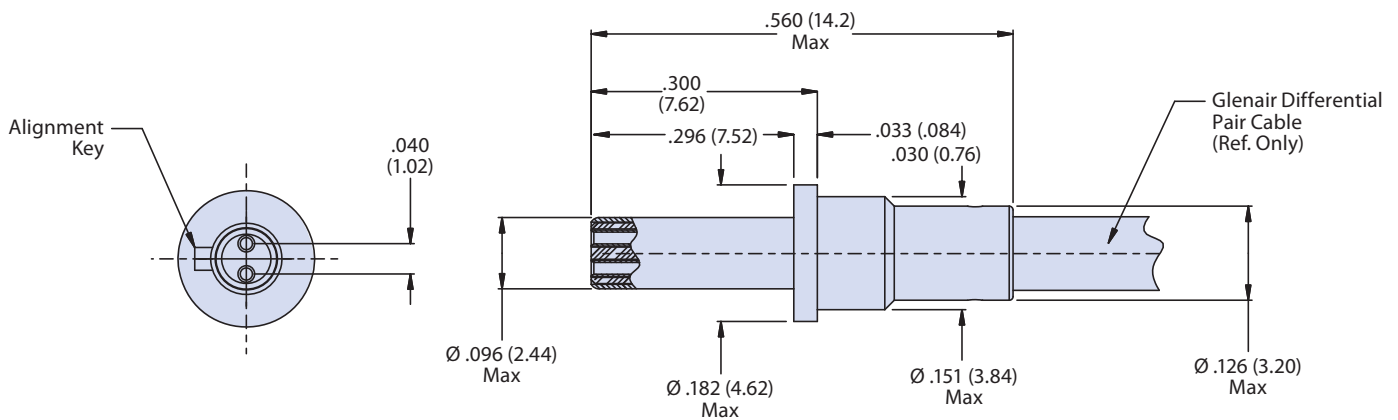
Ultra-Twinax

## Size #12 differential twinax pin contact for multi-gigabit applications



These solder terminated #12 twinax pin contacts accept 100 ohm differential parallel pair data cable. Current rating is 1 Amp. DWV rating is 500 VAC sea level, 125 VAC at 70,000 feet. Contacts are packaged individually and shipped unassembled with instruction sheet. One contact consists of outer contact, insulator assembly and crimp sleeve. All contacts are gold-plated copper alloy. 5000 megohm insulation resistance at 200VDC. Mates with: 853-015-01 (cable socket) and 853-020-01(PC tail socket). Ideally suited for multi-gigabit data rate applications.

Type	Glenair Part No.	Military Part No.	AWG Wire Size	Cable Accommodation	Impedance	Frequency Range	VSWR	Insertion Loss
Pin	853-016-01	N/A	28	963-001	100-Ohms Nominal	DC to 10 GHz	1.1 + (.03 * F GHz)	1.3 *F GHz



### NOTES

#### Material and Finish

- Contact Body: Copper Alloy/Gold Plated
- Center Contact: Copper Alloy/Gold Plated
- Crimp Sleeve: Brass or equivalent/Gold Plated

#### Electrical Parameters

- Differential Impedance: 100-ohms nominal
- Frequency Range: DC to 10 Ghz
- VSWR: 1.1+(.03\* F Ghz)
- Insertion Loss: 1/3\* F Ghz
- Dielectric Withstanding Voltage: 500 VRMS
- Insulation Resistance: 5000 Megohms minimum

#### Additional Information

- Contact is designed to accommodate Glenair P/N 963-001 cable.
- For assembly instructions, see A185014
- Pin mates with cable socket contact 853-015-01 and PC tail socket 853-020-01
- For use in Glenair Series 80 Mighty Mouse and Series 79 Micro-Crimp connectors only.



Dimensions in Inches (millimeters) are subject to change without notice.





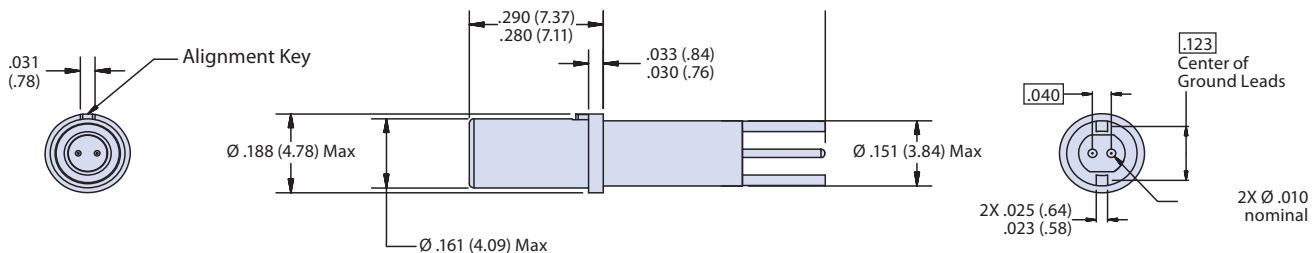
## Size #12 Differential Twinax PC Tail Socket Contact For Use with Mighty Mouse and Series 79 Micro-Crimp 853-020 Ordering Information

### Size #12 differential twinax socket contact for multi-gigabit applications

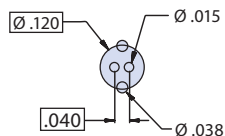


Current rating is 1 Amp. DWV rating is 500 VAC sea level, 125 VAC at 70,000 feet. One contact consists of outer contact, insulator assembly and straight PC tails. All contacts are gold-plated copper alloy. 5000 megohm insulation resistance at 200 VDC. Mates with: 853-016-01 (cable pin). Ideally suited for multi-gigabit data rate applications.

Type	Military Part No.	Impedance	Frequency Range	VSWR	Insertion Loss
Socket	N/A	100-Ohms Nominal	DC to 10 GHz	1.1 + (.03 * F GHz)	1.3 *F GHz



Recommended PC Board Layout



#### NOTES

##### Material and Finish

- Contact Body: Copper Alloy/Gold Plated
- Center Contact: Copper Alloy/Gold Plated
- Crimp Sleeve: Brass or equivalent/Gold Plated

##### Electrical Parameters

- Differential Impedance: 100-ohms nominal
- Frequency Range: DC to 10 GHz
- VSWR: 1.1+(.03\* F GHz)
- Insertion Loss: 1/3\* F GHz
- Dielectric Withstanding Voltage: 500 VRMS
- Insulation Resistance: 5000 Megohms minimum

##### Additional Information

- Contact is designed to accommodate Glenair P/N 963-100-28 cable.
- For assembly instructions, see AI85014
- Socket mates with cable pin contact 853-016-01
- For use in Glenair Series 80 Mighty Mouse and Series 79 Micro-Crimp connectors only.

#### NOTE:

Contacts are pre-installed into connector by Glenair. Consult factory for available options.

Dimensions in Inches (millimeters) are subject to change without notice.

# Size #12 Differential Twinax PC Tail Pin Contact For Use with Mighty Mouse and Series 79 Micro-Crimp 853-021 Ordering Information



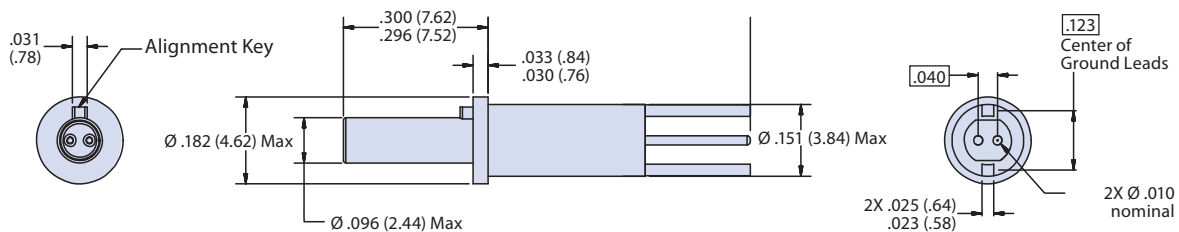
Ultra-Twinax

## Size #12 differential twinax pin contact for multi-gigabit applications

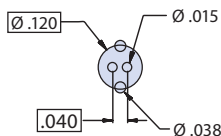


Current rating is 1 Amp. DWV rating is 500 VAC sea level, 125 VAC at 70,000 feet. One contact consists of outer contact, insulator assembly and straight PC tails. All contacts are gold-plated copper alloy. 5000 megohm insulation resistance at 200 VDC. Mates with: 853-015-01 (cable socket). Ideally suited for multi-gigabit data rate applications.

Type	Military Part No.	Impedance	Frequency Range	VSWR	Insertion Loss
Pin	N/A	100-Ohms Nominal	DC to 10 GHz	1.1 + (.03 * F GHz)	1.3 * F GHz



Recommended PC Board Layout



### NOTES

#### Material and Finish

- Contact Body: Copper Alloy/Gold Plated
- Center Contact: Copper Alloy/Gold Plated
- Crimp Sleeve: Brass or equivalent/Gold Plated

#### Electrical Parameters

- Differential Impedance: 100-ohms nominal
- Frequency Range: DC to 10 Ghz
- VSWR: 1.1+(.03\* F Ghz)
- Insertion Loss: 1/3\* F Ghz
- Dielectric Withstanding Voltage: 500 VRMS
- Insulation Resistance: 5000 Megohms minimum

#### Additional Information

- Contact is designed to accommodate Glenair P/N 963-100-28 cable.
- For assembly instructions, see AI85014
- Pin mates with cable socket contact 853-015-01
- For use in Glenair Series 80 Mighty Mouse and Series 79 Micro-Crimp connectors only.

### NOTE:

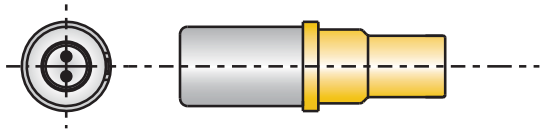
Contacts are pre-installed into connector by Glenair. Consult factory for available options.

Dimensions in Inches (millimeters) are subject to change without notice.



# Twinax Socket Contact Assembly Instructions

AI85014



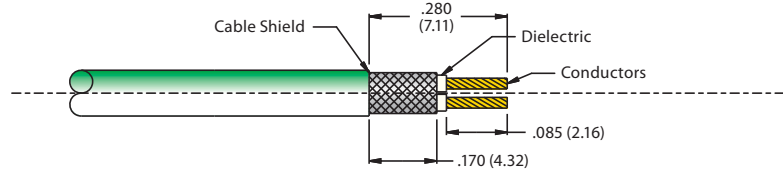
Socket Contact



100 Ohm Parallel Cable

## STEP 1

- Strip cable to dimensions shown.  
**Be careful not to flare braid open.**
- Pre-tin conductor and braid shield.
- Clean the solder joint with alcohol.



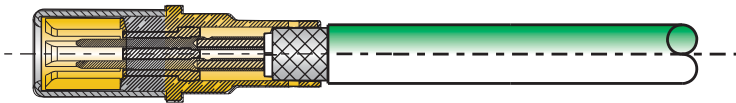
## STEP 2

- Insert cable into socket contact.  
**Make sure center conductor lines up to the center socket.**



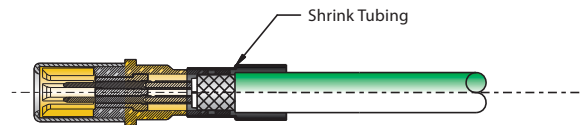
## STEP 3

- Install center conductors until they bottom-out in the contact cavity.  
**Inspect to ensure cable shield is visible through the inspection hole.**
- Apply flux and solder through the inspection hole; remove residues and contamination with alcohol after soldering.



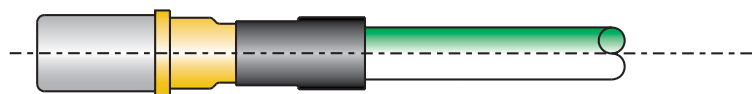
## STEP 4

- Install M23053/5-204 or M23053/6-204 shrink tubing; cover solder area and extend insulation by minimum of one wire diameter.



## STEP 5

- Illustrates final assembly.



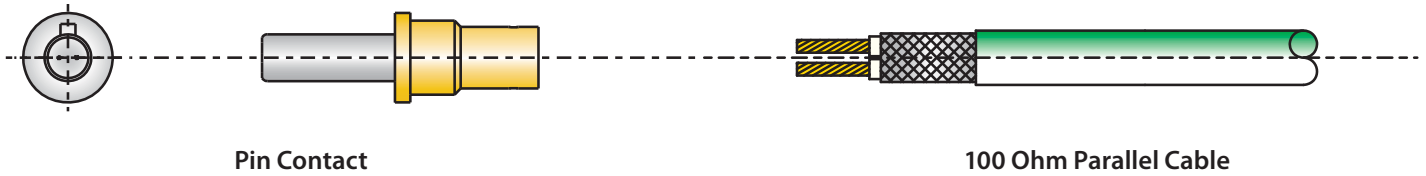
Dimensions in Inches (millimeters) are subject to change without notice.

# Twinax Pin Contact Assembly Instructions

## AI85015



Ultra-Twinax



STEP 1	
<ol style="list-style-type: none"> <li>Strip cable to dimensions shown. <b>Be careful not to flare braid open.</b></li> <li>Pre-tin conductor and braid shield.</li> <li>Clean the solder joint with alcohol.</li> </ol>	
STEP 2	
<ol style="list-style-type: none"> <li>Insert cable into pin contact. <b>Make sure center conductor lines up to the center pin.</b></li> </ol>	
STEP 3	
<ol style="list-style-type: none"> <li>Install center conductors until they bottom-out in the contact cavity. <b>Inspect to ensure cable shield is visible through the inspection hole.</b></li> <li>Apply flux and solder through the inspection hole; remove residues and contamination with alcohol after soldering.</li> </ol>	
STEP 4	
<ol style="list-style-type: none"> <li>Install M23053/5-204 or M23053/6-204 shrink tubing; cover solder area and extend insulation by minimum of one wire diameter.</li> </ol>	
STEP 5	
<ol style="list-style-type: none"> <li>Illustrates final assembly.</li> </ol>	

Dimensions in Inches (millimeters) are subject to change without notice.





## Series 801 Miniature Plug Connectors with Size #12 Ultra-Twinax Contacts

### 801-007 and 801-008 Ordering Information



New Mighty Mouse contact arrangements accept size #12 Ultra-Twinax contacts for multi-gigabit data rate applications. Series 801 Mighty Mouse plugs feature damage-resistant double-start ACME mating threads. Available with anti-decoupling feature or vibration-resistant ratchet mechanism, these plugs are supplied with #12 Ultra-Twinax contacts (contact types P or S). Or, specify contact types A or B for connectors supplied less contacts for use with twinax contacts purchased separately. Connector shells are aluminum or stainless steel, with thermoplastic insulators and fluorosilicone rubber seals.

#### How To Order

<b>Sample Part Number</b>	<b>801-008</b>	<b>-16</b>	<b>M</b>	<b>7-1</b>	<b>P</b>	<b>A</b>	<b>-688</b>
<b>Series (See Table I)</b>	<b>801-007</b> = Plug Connector with Banding Termination Porch <b>801-008</b> = Plug Connector with Rear Accessory Thread						
<b>Shell Style</b>	<b>-16</b> = Plug with Anti-Decoupling Spring <b>-26</b> = Self-Locking Plug with Ratchet Mechanism						
<b>Shell Material and Finish</b>	<b>M</b> = Aluminum / Electroless Nickel RoHS Compliant <b>NF</b> = Aluminum / Cadmium with Olive Drab Chromate <b>ZR</b> = Aluminum / Zinc-Nickel with Non-Reflective Black Chromate RoHS Compliant <b>MT</b> = Aluminum / Nickel-PTFE RoHS Compliant <b>Z1</b> = Stainless Steel / Passivated RoHS Compliant						
<b>Shell Size - Insert Arrangement</b>	Size #12 Contacts (See Page S-2 for Contact Layout) <b>7-1, 10-2, 17-7, 21-12,</b> Size #12 Combo Contacts (See Page S-2 for Contact Layout) <b>10-200, 10-201, 13-200, 13-201</b>						
<b>Contact Type</b>	<b>Connector supplied with size #12 Ultra-Twinax contacts.</b> <b>P</b> = #12 Ultra-Twinax Pin contacts <b>S</b> = #12 Ultra-Twinax Socket contacts		<b>Connector supplied without contacts (Order twinax contacts separately.)</b> <b>A</b> = Pin connector, less contacts <b>B</b> = Socket connector, less contacts				
<b>Shell Key Positions (See Table II)</b>	<b>A</b> = Normal <b>B</b> = Pos. B <b>C</b> = Pos. C <b>D</b> = Pos. D <b>E</b> = Pos. E <b>F</b> = Pos. F						
<b>Mod Code</b>	Connector insulators supplied with keyways for use with keyed contacts						

#### Table I: Series

<b>801-007</b> Plug Connector with Banding Termination Porch	<b>801-008</b> Plug Connector with Rear Accessory Thread

Dimensions in Inches (millimeters) are subject to change without notice.

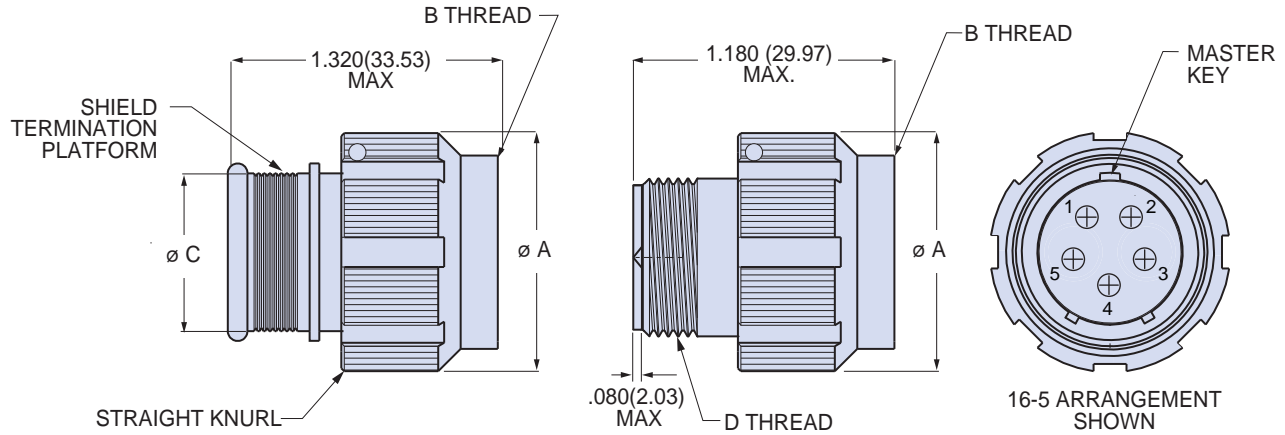
# Series 801 Miniature Plug Connectors with Size #12 Ultra-Twinax Contacts

## 801-007 and 801-008 Dimensions



Ultra-Twinax

### Series 801 Plug Connectors with Size #12 Contacts - shell style 16/26



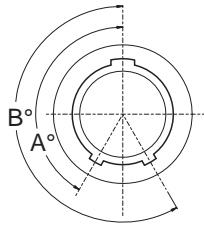
#### Banding Porch

801-007-16 and 801-007-26

#### Accessory Thread

801-008-16 and 801-008-26

Table II: Plug Key Positions



Position	A°	B°
A	150°	210°
B	75°	210°
C	95°	230°
D	140°	275°
E	75°	275°
F	95°	210°

Dimensions

Shell Size	Style 16 ØA		Style 26 ØA		B Thread	Ø C		D Thread UNEF-2A
	In.	mm.	In	mm.		In	mm.	
7	.690	17.53	.790	20.07	.4375-.05P-.1L-DS-2B	.390	9.91	.4375-28
10	.880	22.35	.980	24.89	.6250-.05P-.1L-DS-2B	.560	14.22	.6250-24
16	1.240	31.50	1.340	34.04	1.000-.1P-.2L-DS-2B	.805	20.45	.9375-20
17	1.300	33.02	1.450	36.83	1.0625-.1P-.2L-DS-2B	.850	21.59	.9375-20
21	1.550	39.07	1.650	41.91	1.3125-.1P-.2L-DS-2B	1.110	28.19	1.1875-18

Dimensions in Inches (millimeters) are subject to change without notice.



## Series 801 Miniature Receptacle Connectors with Size #12 Ultra-Twinax Contacts

### 801-009 and 801-010 Ordering Information



New Mighty Mouse contact arrangements accept size #12 Ultra-Twinax contacts for multi-gigabit data rate applications. Series 801 Mighty Mouse receptacles feature damage-resistant double-start ACME mating threads. Available for rear panel jam nut mounting, in-line or square flange styles, these receptacles are supplied with #12 Twinax contacts (contact types P or S). Or, specify contact types A or B for connectors supplied contacts for use with twinax contacts purchased separately. Connector shells are aluminum or stainless steel, with thermoplastic insulators and fluorosilicone rubber seals.

#### How To Order

Sample Part Number	801-010	-02	Z1	17-7	S	A	-688
<b>Series (See Table I)</b>	<b>801-009</b> = Plug Connector with Banding Termination Porch <b>801-010</b> = Plug Connector with Accessory Thread						
<b>Shell Style (See Table II)</b>	<b>-01</b> = In-Line For Free-Hanging Cables <b>-02</b> = Square Flange For Front or Rear Mounting <b>-07</b> = Jam Nut For Rear Panel Mounting						
<b>Shell Material and Finish</b>	<b>M</b> = Aluminum / Electroless Nickel RoHS Compliant <b>NF</b> = Aluminum / Cadmium with Olive Drab Chromate <b>ZR</b> = Aluminum / Zinc-Nickel with Non-Reflective Black Chromate RoHS Compliant <b>MT</b> = Aluminum / Nickel-PTFE RoHS Compliant <b>Z1</b> = Stainless Steel / Passivated RoHS Compliant						
<b>Shell Size - Insert Arrangement</b>	Size #12 Contacts (See Page S-2 for Contact Layout) <b>7-1, 10-2, 17-7, 21-12,</b> Size #12 Combo Contacts (See Page S-2 for Contact Layout) <b>10-200, 10-201, 13-200, 13-201</b>						
<b>Contact Type</b>	<b>Connector supplied with size #12 Ultra-Twinax contacts.</b> <b>P</b> = #12 Ultra-Twinax Pin contacts <b>S</b> = #12 Ultra-Twinax Socket contacts			<b>Connector supplied without contacts (Order twinax contacts separately.)</b> <b>A</b> = Pin connector, less contacts <b>B</b> = Socket connector, less contacts			
<b>Shell Key Positions (See Table III)</b>	<b>A</b> = Normal <b>B</b> = Pos. B <b>C</b> = Pos. C <b>D</b> = Pos. D <b>E</b> = Pos. E <b>F</b> = Pos. F						
<b>Mod Code</b>	Connector insulators supplied with keyways for use with keyed contacts						

#### Table I: Series

<b>801-009</b> Plug with Banding Porch	<b>801-010</b> Plug with Rear Accessory Thread

#### Table II: Shell Style

<b>-01</b> In-Line For Free-Hanging Cables	<b>-02</b> Square Flange For Front or Rear Mounting	<b>-07</b> Jam Nut For Rear Panel Mounting

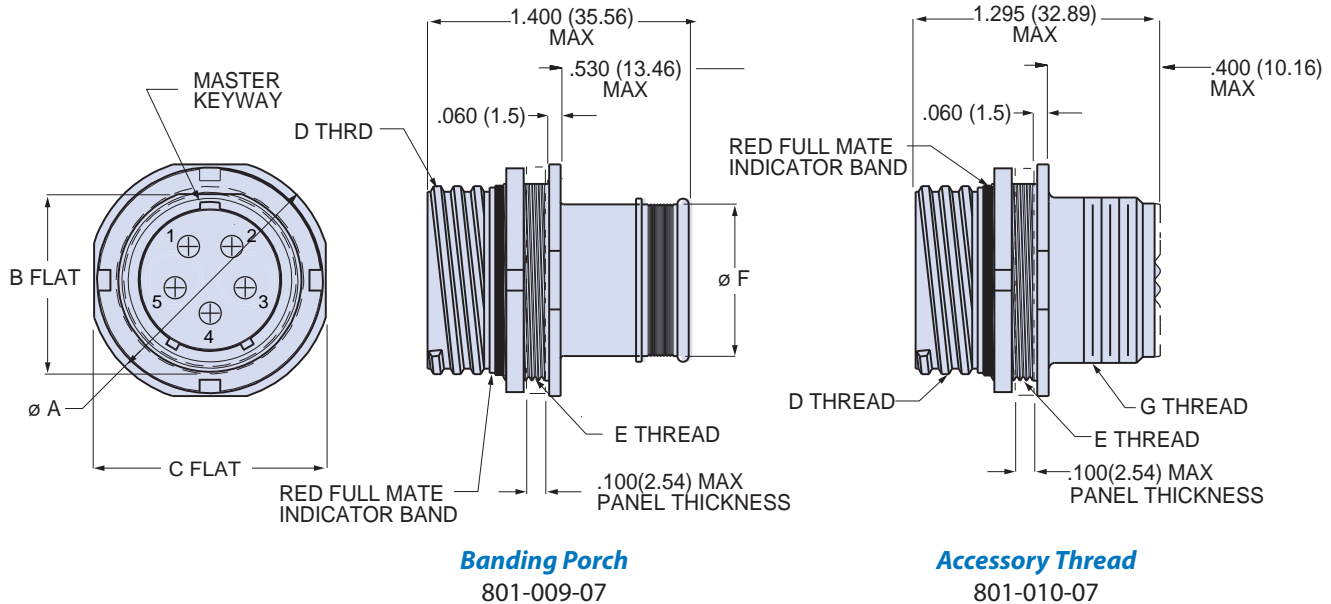
Dimensions in Inches (millimeters) are subject to change without notice.

# Series 801 Miniature Receptacle Connectors with Size #12 Ultra-Twinax Contacts 801-009 and 801-010 Dimensions



Ultra-Twinax

## Rear panel mount jam nut receptacles - style 07



Dimensions											
Shell Size	Ø A		B Flat		C Flat		D Thread	E Thread UN-2A	Ø F		G Thread UNEF-2A
	In.	mm.	In.	mm.	In.	mm.			In.	mm.	
7	.480	12.19	.445	11.30	.723	18.36	.4375-.05P-.1L-DS-2A	.5625-32	.390	9.91	.4375-28
10	.665	16.89	1.010	25.65	.855	21.72	.6250-.05P-.1L-DS-2A	.6875-28	.560	14.22	.6250-24
16	1.264	32.11	1.022	25.96	1.230	31.24	1.000-.1P-.2L-DS-2A	1.0625-20	.805	20.45	.9375-20
17	1.325	33.66	1.096	27.84	1.290	32.77	1.0625-.1P-.2L-DS-2A	1.1250-28	.850	21.59	.9375-20
21	1.625	41.28	1.345	34.16	1.577	40.06	1.3125-.1p-.2L-DS-2A	1.3750-28	1.110	28.19	1.1875-18

**Table II: Plug Key Positions**

Position	A°	B°
A	150°	210°
B	75°	210°
C	95°	230°
D	140°	275°
E	75°	275°
F	95°	210°

**Jam Nut Panel Cutout**

Shell Size	A Flat		Ø B	
	In. ± .002	mm. ± 0.05	In. ± .002	mm. ± 0.05
7	.542	13.77	.572	14.53
10	.666	16.92	.697	17.70
16	1.028	26.11	1.075	27.31
17	1.102	27.99	1.135	28.83
21	1.354	34.39	1.385	35.18

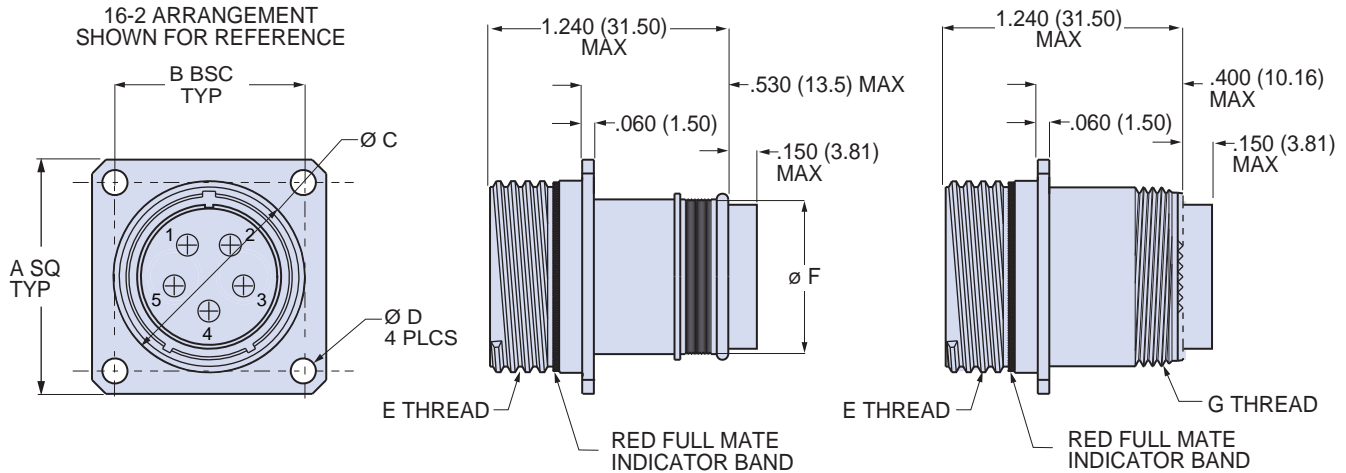
Dimensions in Inches (millimeters) are subject to change without notice.





## Series 801 Miniature Connectors with Size #12 Ultra-Twinax Contacts 801-009 and 801-010 Dimensions

### Front or rear panel mount square flange receptacles - style 02



#### Banding Porch

801-009-02

#### Accessory Thread

801-010-02

#### Dimensions

Shell Size	A Sq		B BSC		Ø C		Ø D		E Thread	Ø F		G Thread UNE-F-2A
	In.	mm.	In.	mm.	In.	mm.	In.	mm.		In.	mm.	
							+ .003	+ .08				
7	.650	16.51	.483	12.27	.850	21.59	.093	2.36	.4375-.05P-.1L-DS-2A	.390	9.91	.5000-28
10	.890	22.61	.670	17.02	1.188	30.18	.128	3.25	.6250-.05P-.1L-DS-2A	.560	14.22	.6250-24
16	1.219	30.96	.981	24.92	1.625	41.28	.128	3.25	1.000-.1P-.2L-DS-2A	.805	20.45	.9375-20
17	1.280	32.51	1.060	26.92	1.700	43.18	.128	3.25	1.0625-.1P-.2L-DS-2A	.850	21.59	.9375-20
21	1.430	36.32	1.205	30.61	1.938	49.23	.128	3.25	1.3125-.1p-.2l-DS-2a	1.110	28.19	1.1875-18

#### Square Flange Panel Cutout

Shell Size	Ø A		B		Ø C	
	In.	mm.	In.	mm.	In.	mm.
7	.453	11.51	.483	12.27	.093	2.36
10	.640	16.26	.670	17.02	.128	3.25
16	1.015	25.78	.981	24.92	.128	3.25
17	1.078	27.38	1.060	26.92	.128	3.25
21	1.328	33.73	1.322	33.58	.128	3.25

Dimensions in Inches (millimeters) are subject to change without notice.

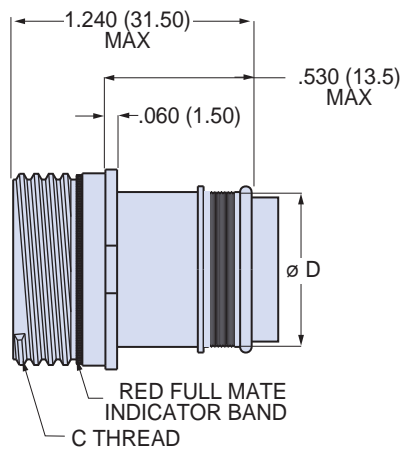
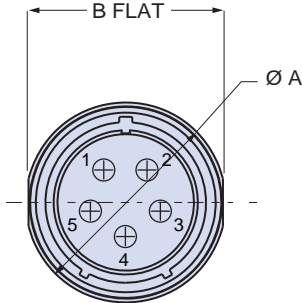
**Series 801 Miniature Connectors  
with Size #12 Ultra-Twinax Contacts  
801-009 and 801-010 Dimensions**



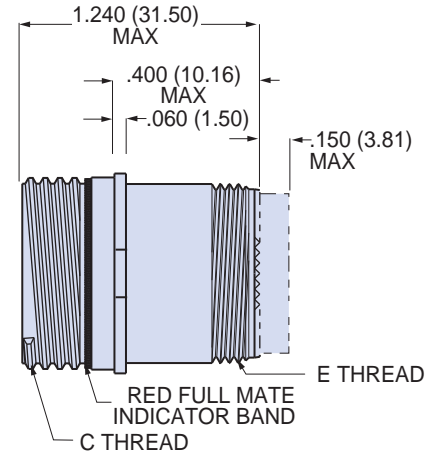
Ultra-Twinax

**In-line cable receptacles - style 01**

16-5 ARRANGEMENT  
SHOWN FOR REFERENCE



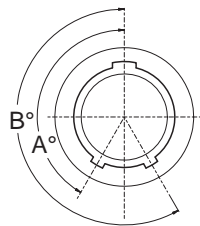
**Banding Porch**  
801-009-01



**Accessory Thread**  
801-010-01

Dimensions								
Shell Size	Ø A		B Flat		C Thread	Ø D		E Thread
	In.	mm.	In.	mm.		In.	mm.	
7	.480	12.19	.445	11.30	.4375-.05P-.1L-DS-2A	.390	9.91	.4375-28 UNEF-2A
10	.665	16.89	.635	16.13	.6250-.05P-.1L-DS-2A	.560	14.22	.6250-24 UNEF-2A
16	1.040	26.42	1.010	25.65	1.000-.1P-.2L-DS-2A	.805	20.45	.9375-20 UNEF-2A
17	1.110	28.19	1.070	27.18	1.0625-.1P-.2L-DS-2A	.850	21.59	.9375-20 UNEF-2A
21	1.405	35.69	1.312	33.32	1.3125-.1p-.2L-DS-2a	1.110	28.19	1.1875-18 UNEF-2A

**Table II: Plug Key Positions**



Position	A°	B°
A	150°	210°
B	75°	210°
C	95°	230°
D	140°	275°
E	75°	275°
F	95°	210°

Dimensions in Inches (millimeters) are subject to change without notice.





# Series 801 PCB Miniature Receptacle Connectors with Size #12 Ultra-Twinax Contacts

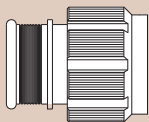
## 801-011 and 801-033 Ordering Information



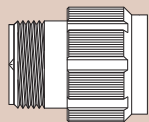
New Mighty Mouse contact arrangements accept size #12 Ultra-Twinax contacts for multi-gigabit data rate applications. Series 801 Mighty Mouse PCB receptacles are aluminum or stainless steel, with thermoplastic insulators, fluorosilicone rubber seals, and double-start ACME mating threads. Available for rear panel jam nut mounting or square flange styles, these receptacles are supplied with #12 Twinax PC Tail contacts (contact types PP or PS).

How To Order	
<b>Sample Part Number</b>	<b>801-011 -02 M 17-7 PS A -688</b>
<b>Series (See Table I)</b>	<b>801-011</b> = PCB Receptacle with Accessory Thread <b>801-033</b> = Receptacle for Solder Cup or PCB Termination, with Special "MOD-518" Sealing For Open Face (unmated) Water Immersion Requirements. 100% Leak Tested.
<b>Shell Style (See Table II)</b>	<b>-02</b> = Square Flange For Front or Rear Mounting <b>-07</b> = Jam Nut For Rear Panel Mounting <b>-12</b> = Square Flange Receptacle for Rear Panel Mounting with "Non-Locking" Clinch Nuts <b>-22</b> = Square Flange Receptacle for Rear Panel Mounting with "Locking" Clinch Nuts
<b>Shell Material and Finish</b>	<b>M</b> = Aluminum / Electroless Nickel RoHS Compliant <b>NF</b> = Aluminum / Cadmium with Olive Drab Chromate <b>ZR</b> = Aluminum / Zinc-Nickel with Non-Reflective Black Chromate RoHS Compliant <b>MT</b> = Aluminum / Nickel-PTFE RoHS Compliant <b>Z1</b> = Stainless Steel / Passivated RoHS Compliant
<b>Shell Size - Insert Arrangement</b>	Size #12 Contacts (See Page S-2 for Contact Layout) <b>7-1, 10-2, 17-7, 21-12,</b> Size #12 Combo Contacts (See Page S-2 for Contact Layout) <b>10-200, 10-201, 13-200, 13-201</b>
<b>Contact Type</b>	<b>Connector supplied with size #12 Ultra-Twinax PC Tail contacts.</b> <b>PP</b> = #12 Ultra-Twinax PC Tail Pin Contacts <b>PS</b> = #12 Ultra-Twinax PC Tail Socket Contacts
<b>Shell Key Positions (See Table III)</b>	<b>A</b> = Normal <b>B</b> = Pos. B <b>C</b> = Pos. C <b>D</b> = Pos. D <b>E</b> = Pos. E <b>F</b> = Pos. F
<b>Mod Code</b>	Connector insulators supplied with keyways for use with keyed contacts

Table I: Series

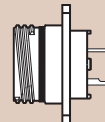
**801-007**

Plug with Banding Porch

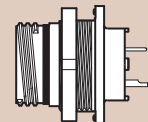
**801-008**

Plug with Rear Accessory Thread

Table II: Shell Style

**-02**

Square Flange For Front or Rear Panel Mounting

**-07**

Jam Nut For Rear Panel Mounting

Dimensions in Inches (millimeters) are subject to change without notice.

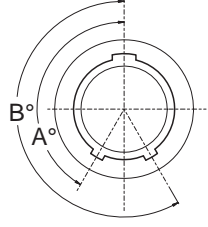
# Series 801 PCB Miniature Receptacle Connectors with Size #12 Ultra-Twinax Contacts

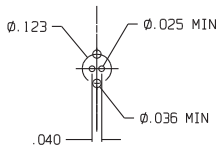
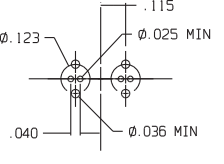
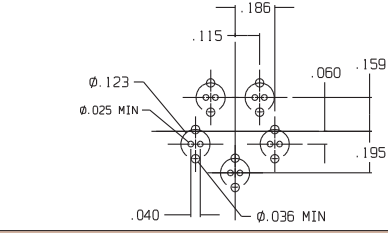
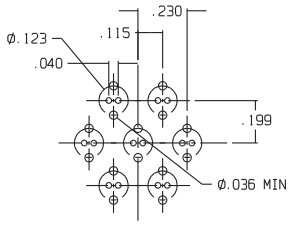
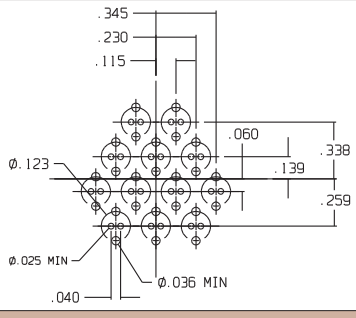
## 801-011 and 801-033 Dimensions

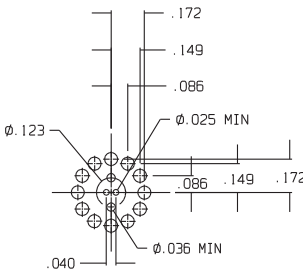
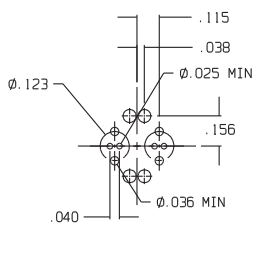
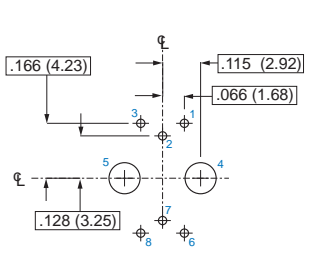
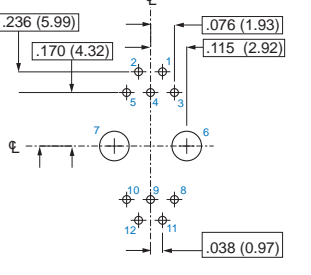


Ultra-Twinax

Position	A°	B°
A	150°	210°
B	75°	210°
C	95°	230°
D	140°	275°
E	75°	275°
F	95°	210°



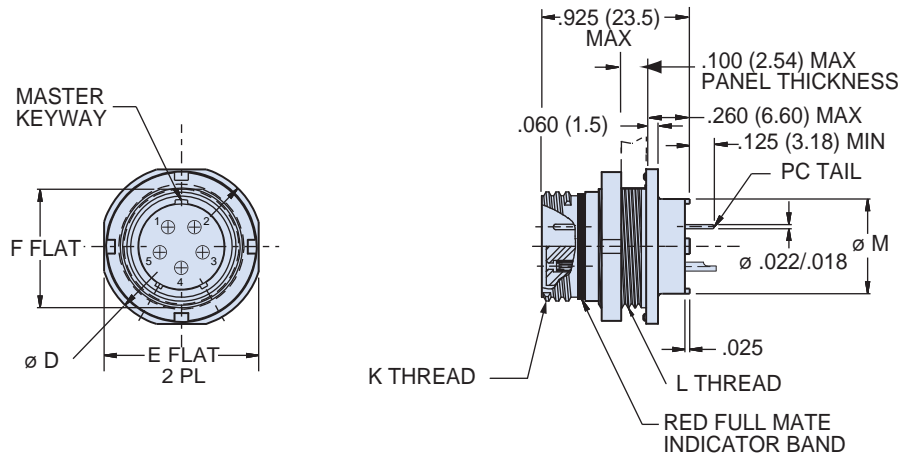
 <p>7-1</p>	 <p>10-2</p>	 <p>16-5</p>
 <p>17-7</p>	 <p>21-12</p>	

 <p>10-200</p>	 <p>10-201</p>	 <p>13-200</p>	 <p>13-201</p>
---	---	--	---

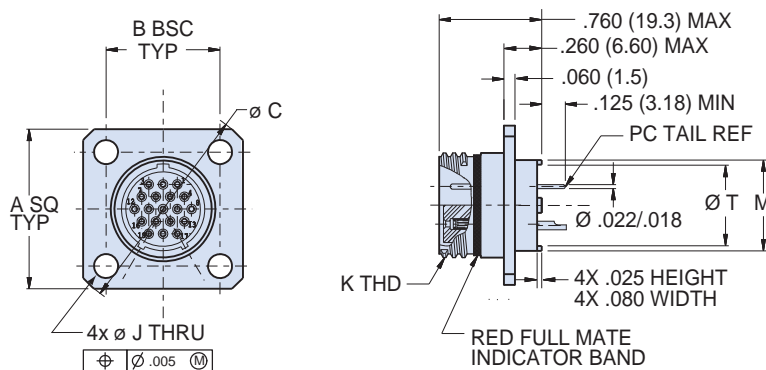
Dimensions in Inches (millimeters) are subject to change without notice.



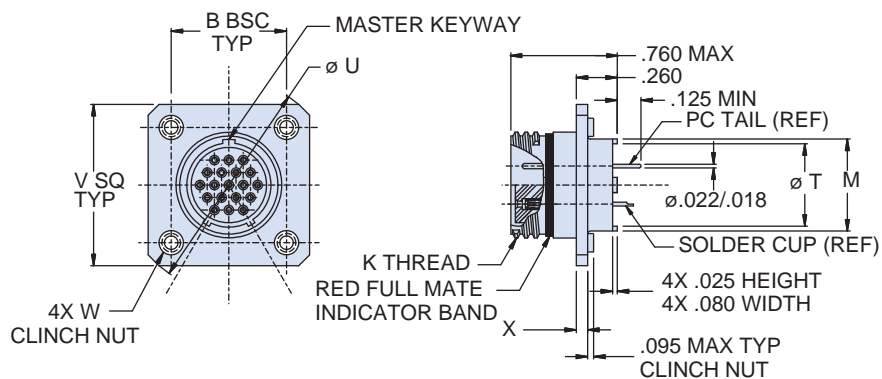
### Rear panel mount jam nut receptacle - style 07



### Front or rear panel mount square flange receptacle - style 02



### Rear panel mount square flange receptacle - styles 12 and 22



Dimensions in Inches (millimeters) are subject to change without notice.

# Series 801 PCB Miniature Receptacle Connectors with Size #12 Ultra-Twinax Contacts

## 801-011 and 801-033 Dimensions

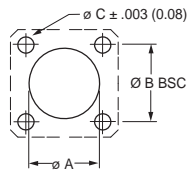


Ultra-Twinax

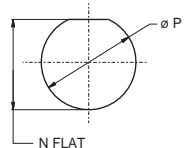
Dimensions																
Shell Size	A Sq.		B Bsc		Ø D		Ø C		E Flat		F Flat		Ø J		K Thread	L Thread
	In.	mm.	In.	mm.	In.	mm.	In.	mm.	In.	mm.	In.	mm.	In.	mm.		
7	0.650	16.51	0.483	12.27	0.755	19.18	.850	21.59	0.723	18.36	0.536	13.61	0.096 0.091	2.44 2.31	.4375-.05P-.1L-2A	.5625-32 UN-2A
10	0.890	22.61	0.670	17.02	0.890	22.61	.890	22.61	0.855	21.72	0.658	16.71	.130 .126	3.30 3.20	.6250-.05P-.1L-2A	.6875-28 UN-2A
13	1.030	26.16	0.812	20.62	1.078	27.38	1.078	27.38	1.044	26.52	0.845	21.46			.8125-.1P-.2L-2A	.8750-28 UN-2A
16	1.219	30.96	0.981	24.92	1.265	32.13	1.625	41.28	1.230	31.24	1.022	25.96			1.0000-.1P-.2L-2A	1.0625-20 UN-2A
17	1.280	32.51	1.060	26.92	1.325	33.66	1.700	43.18	1.290	32.77	1.096	27.84			1.0625-.1P-.2L-2A	1.1250-28 UN-2A
21	1.565	39.75	1.322	33.58	1.625	41.28	2.100	53.34	1.577	40.06	1.345	34.16			1.3125-.1P-.2L-2A	1.3750-28 UN-2A

Dimensions (continued)										
Shell Size	Ø M		Ø T		Ø U		V Sq		W Clinch Nuts	X
	In.	mm.	In.	mm.	In.	mm.	In.	mm.		
7	.432	10.97	0.327	8.31	0.944	23.98	0.743	18.87	4-40	.030
10	.620	15.75	0.516	13.11	1.268	32.21	0.990	25.15		
13	.703	17.86	0.599	15.21	1.470	37.34	1.132	28.75		
16	.863	21.92	0.759	19.28	1.708	43.38	1.301	33.05		
17	.912	23.16	0.808	20.52	1.822	46.28	1.382	35.10		
21	1.170	29.72	1.061	26.95	2.190	55.63	1.642	41.71		

Square Flange Panel Cutout for Style 02, 12 and 22						
Shell Size	Ø A		Ø B		Ø C	
	In.	mm.	In.	mm.	In.	mm.
7	.450	11.43	.483	12.27	.093	2.36
10	.640	16.26	.670	17.02	.128	3.25
13	.825	20.96	.812	20.62	.128	3.25
16	1.015	25.78	.981	24.92	.128	3.25
17	1.075	27.31	1.060	26.92	.128	3.25
21	1.330	33.78	1.322	33.58	.128	3.25



Jam Nut Panel Cutout					
Shell Size	N Flat		Ø P		
	In.	mm.	In.	mm.	
7	.542	13.77	.572	14.53	
10	.666	16.92	.697	17.70	
13	.851	21.62	.885	22.48	
16	1.028	26.11	1.075	27.31	
17	1.102	27.99	1.135	28.83	
21	1.354	34.39	1.385	35.18	



Dimensions in Inches (millimeters) are subject to change without notice.



SERIES 80 MIGHTY  
MOUSE FIELD-  
READY MICRO USB

# *SERIES 80 MIGHTY MOUSE MICRO USB* SUPERSEAL™

*Series 801 Mighty Mouse connectors with superior sealing, shielding and crimp contact termination*



## **Features**

- Superior sealing—IP68 when mated—for complete system protection against water, sand and dust
- Shielded/grounded coupler designs in both receptacle and plug connectors
- Crimp contact termination
- Integrated banding porch or connector accessory interface
- Micro USB “B” plugs and universal “AB” receptacles
- Double-start stub ACME threaded coupling standard. Consult factory for available QDC push-pull and triple-start threaded versions
- Less than half the size and weight compared to MIL-DTL-38999 type solutions



SuperSeal™ Mighty Mouse Series 801  
Micro USB Connectors  
Table of Contents and Introduction



Mighty Mouse  
Micro USB

**PRODUCT SELECTION GUIDE**



**Size #23 Contacts and Tools**

Size #23 Pin Contacts for use with the Micro-B USB connectors in this catalog, plus appropriate tools and termination instructions.

Page T-5



**801-082 and 801-083**

SuperSeal™ Mighty Mouse Series 801 Plugs with Micro "B" USB Plug and Rear Crimp Contact Wire Termination

Page T-7



**801-084 and 801-085**

SuperSeal™ Mighty Mouse Series 801 Receptacles with Micro "AB" USB Receptacle with Rear Crimp Contact Wire Termination

Page T-8



**801-087 and 801-088**

SuperSeal™ Mighty Mouse Series 801 Plugs with Front and Rear Micro "B" USB Plugs

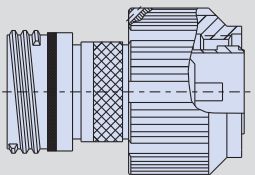
Page T-9



**801-089 and 801-090**

SuperSeal™ Mighty Mouse Series 801 Receptacles with Front and Rear Micro "AB" USB Receptacles

Page T-10



**801-091**

SuperSeal™ Mighty Mouse Series 801 Sav-Con® Connector Saver with Micro "B" USB Plug and Micro "AB" USB Receptacle

Page T-11

Dimensions in Inches (millimeters) are subject to change without notice.





## Series 80 Mighty Mouse SuperSeal™ Ethernet and USB

### General Information



Crimp contact Micro-usb connectors with outstanding environmental performance and EMI/RFI grounding

- Significant size and weight reduction compared to MIL-DTL-38999 type USB/RJ45 solutions
- Rear-release crimp contact termination as well as USB/RJ45 jumper accommodation
- Superior sealing, IP67, in unmated condition compared to other available environmental circulars
- Superior grounding for electrostatic discharge and EMC
- Superior cable shield termination with integrated banding platform

#### SuperSeal™ Mighty Mouse Micro-B USB Connector Selector



Series 801 Plug Connector  
with Micro-B USB



Series 801 In-Line Receptacle



Series 801  
Square Flange Mount Receptacle



Series 801 Rear Panel  
Jam Nut Mount Receptacle



Series 804 Plug Connector  
with Micro-B USB



Series 804 In-Line Receptacle



Series 804  
Rear Panel Jam Nut Mount  
Receptacle



Series 804  
Front Panel Jam Nut Mount  
Receptacle



Plug-and-Play Micro-USB  
Plug and Receptacle



Plug-and-Play Micro-USB  
Booted Cordset



Spring-Loaded cover for Series 804 Jam Nut Receptacles

Dimensions in Inches (millimeters) are subject to change without notice.

# SuperSeal™ Mighty Mouse Series 801 Micro USB Connectors Materials and Performance Specifications



Mighty Mouse  
Micro USB

## NOTES

### Material and Finishes

- Shell/coupling: High strength aluminum alloy
- Plating: Cadmium olive drab over electroless nickel; Nickel PTFE; Electroless nickel
- Contacts: Copper alloy, gold plated
- USB insulator: LCP
- Seals: Silicon-based elastomer
- Stainless steel and other materials and finishes available. Please consult factory.

### Shell Type and Sizes

- Mating: Double-start stub ACME threaded, QDC push-pull, and triple-start threaded
- Size: Shell size 8

### Micro USB Electrical Specifications

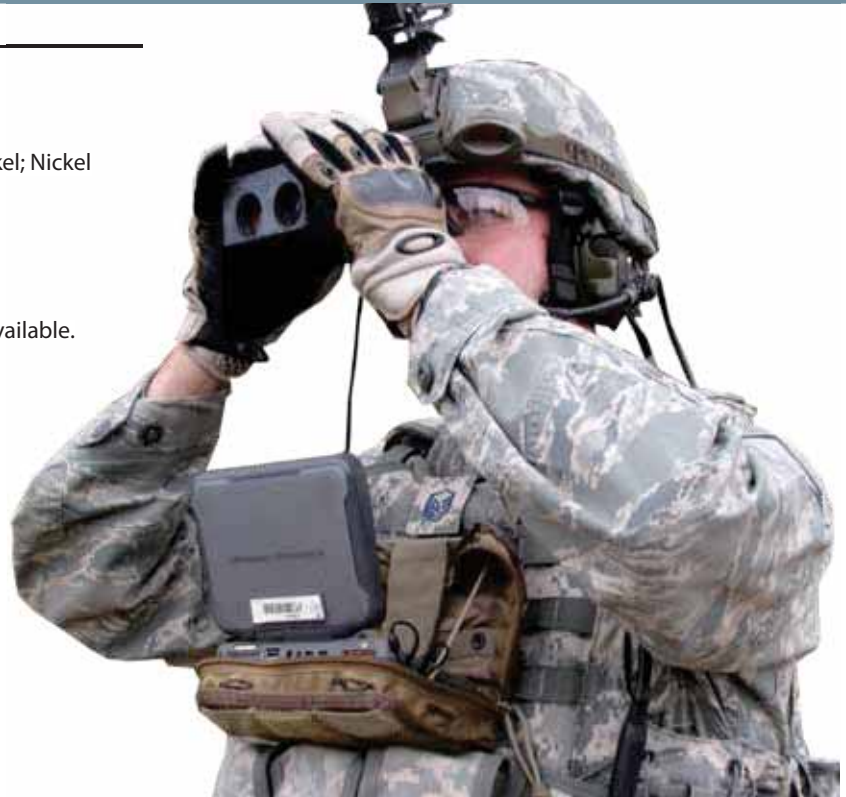
- Voltage Rating: 30 VAC (rms)
- Current Rating: Signal pins 1.0A, Power pins 1.8A
- D.W.V.: 600 VAC
- Shield Continuity: Continuous through coupler or continuous coupler to shell

### Environmental / Mechanical Performance

- Sealing: IP68 mated condition
- Operating Temperature Range: -40°C to +125°C
- Vibration: 37 g's
- Mechanical Shock: 300 g's
- Mating Cycles: 10,000

### Options

- Complete range of protective covers, both metal and rubber are available



**UP TO 71% WEIGHT SAVINGS!  
UP TO 52% SIZE SAVINGS!**



Series 801  
Mighty Mouse  
Micro USB

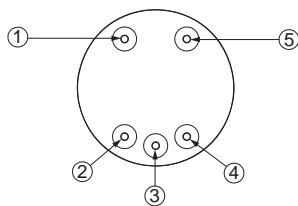
MIL-DTL-38999  
Type RJ45



The series 801 connector offers up to 71% weight savings and 52% size reduction when compared to a D38999 Series III connector.

T

### Crimp Contact Pin Layout



Pin Number	USB Designation	Typical Wiring Assignment
1	VBUS	Red
2	D-	White
3	D+	Green
4	ID	RA_PLUG_ID
5	GND	Black
Shell	SHIELD	DRAIN WIRE

Dimensions in Inches (millimeters) are subject to change without notice.



# SuperSeal™ Mighty Mouse Series 801 Micro USB Connectors Performance Specifications

Performance Specifications		
Test Description	Performance Requirements/Specifications	Procedure Per MIL-DTL-38999 Or Other Standard
Dielectric withstanding voltage	Maximum leakage current = 2 milliamperes No evidence of electric breakdown or flashover	4.5.11.1 or 4.5.11.2 IAW EIA-364-20, Method A
Insulation resistance	At ambient temperature: >5000 megohms between any pair of contacts and between any contact and the shell. after altitude immersion = 1000 megohms min. after humidity = 100 megohms min. At elevated temperature: >1000 megohms	4.5.10.1 and 4.5.10.2 IAW EIA-364-21
Contact resistance	Terminal-to-terminal resistance of mated connector contacts shall not exceed 0.050 ohms.	4.5.14
Mating durability	500-1000 cycles depending on plating, with no mechanical damage. Dielectric, contact resistance and air pressure requirements as described above shall be met after 500-1000 mating cycles.	4.5.8
Contact retention	Individual contacts capable of withstanding at least 10 pounds axial load applied uniformly at one pound per second.	IAW EIA-364-29
Vibration and Shock	37 g's random vibration, 300 g's shock. No electrical discontinuity, no disengagement of mated connectors, backing off of the coupling mechanism, or evidence of cracking, breaking, or loosening.	4.5.23
Temperature cycling	-65°C to 175°C or 200°, depending on finish. No blistering, peeling or separation of plating or other damage detrimental to the operation of the connector.	4.5.4 EIA364-32, Test condition A
Salt spray	5% solution, 34°–36°C. 48–1000 hours, depending on finish. Unmated connectors show no lifting of plated coating or exposure of basis material under 3X magnification which adversely affects performance.	4.5.13 EIA-364-26
Humidity	Cycle wired, mated connectors between 25° C at 80 % and 65° C at 50 %. Ramp time = 0.5 hour, dwell = 1.0 hour. 24 cycles.	4.5.26 EIA364-31, Method IV
Water immersion	1 Meter for 1 Hour, mated.	MIL-STD-810 Method 512
EMI Shielding	Series 801: Good	4.5.28 EIA-364-66

Dimensions in Inches (millimeters) are subject to change without notice.

# SuperSeal™ Mighty Mouse Series 801 Plugs

with Micro “B” USB Plug and Rear Crimp Contact Wire Termination  
801-082 and 801-083 Ordering Information



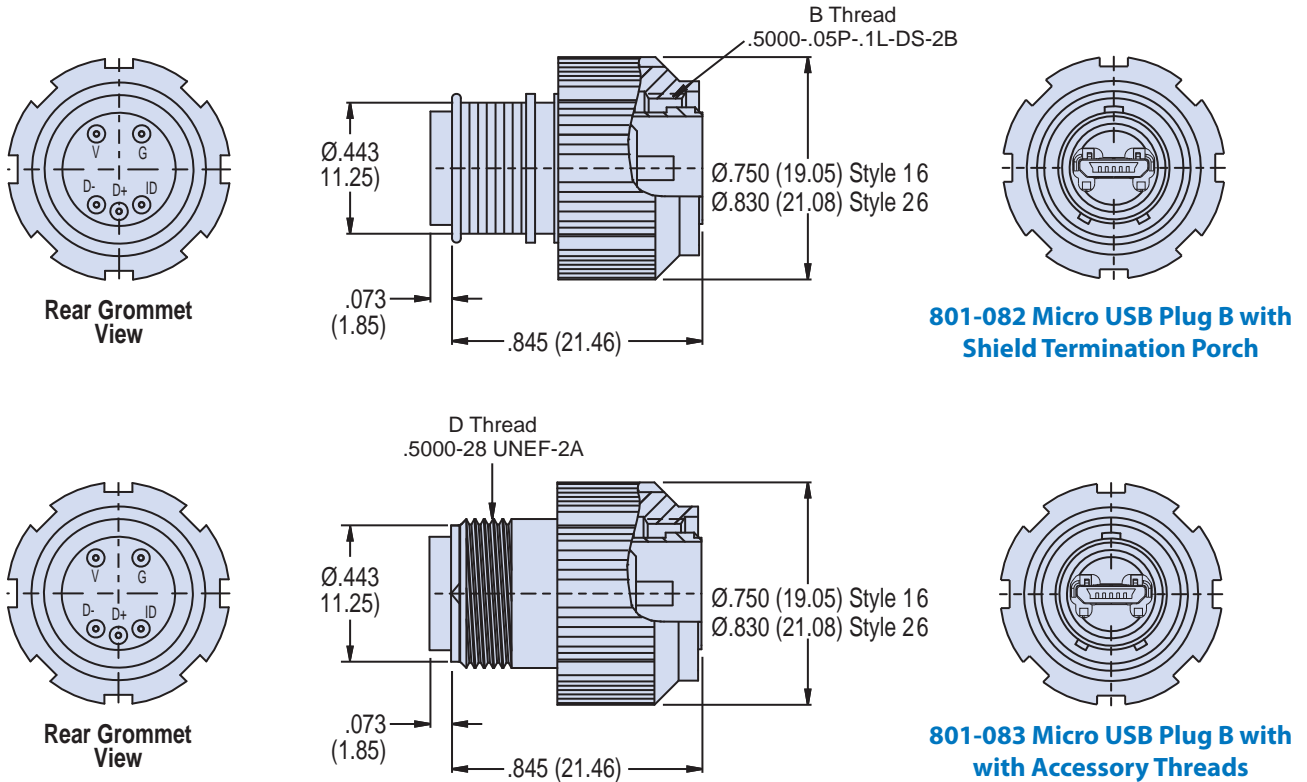
Mighty Mouse  
Micro USB



Plug, Micro B  
USB Front and  
Crimp Rear View

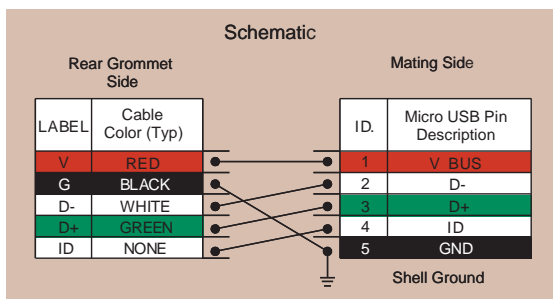
How To Order				
Sample Part Number	801-082	-16 MUSB	-M	A
Series (See Table I)	801-082 = Shield Termination Porch 801-083 = Accessory Threads			
Shell Style	16 = Plug with Anti-Decoupling Spring 26 = Self-Locking Plug with Ratchet Mechanism			
Shell Material and Finish	NF = Cadmium Olive Drab M = Electroless Nickel MT = Nickel PTFE ZNU = Black Zinc Nickel			
Shell Key Positions	A, B, C, D, E, F			

## These Plug Connectors Mate with Glenair Receptacles 801-084, 801-085, and 801-090



801-082 Micro USB Plug B with  
Shield Termination Porch

801-083 Micro USB Plug B with  
Accessory Threads



Plug and Receptacle Key Positions		
	A°	B°
A	150°	210°
B	75°	210°
C	95°	230°
D	140°	275°
E	75°	275°
F	95°	210°

Dimensions in Inches (millimeters) are subject to change without notice.



# SuperSeal™ Mighty Mouse Series 801 Receptacles

with Micro "AB" USB Receptacle  
and Rear Crimp Contact Wire Termination  
801-084 and 801-085 Ordering Information

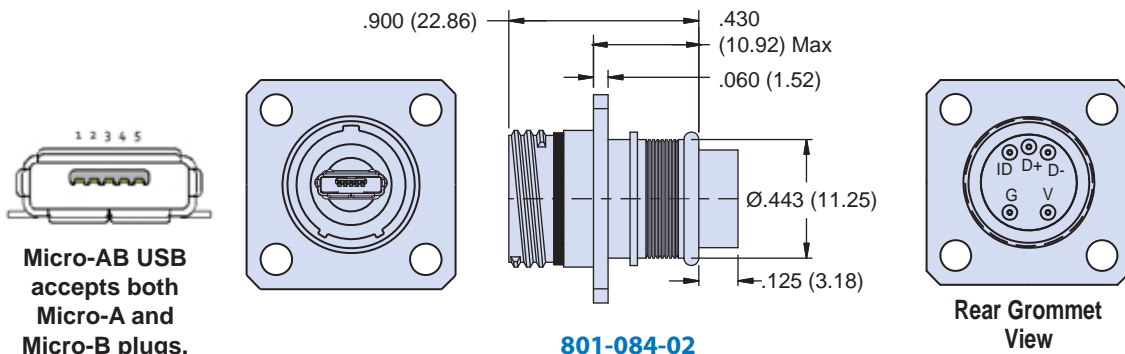


**Square Flange Mount, Micro AB USB Receptacle**

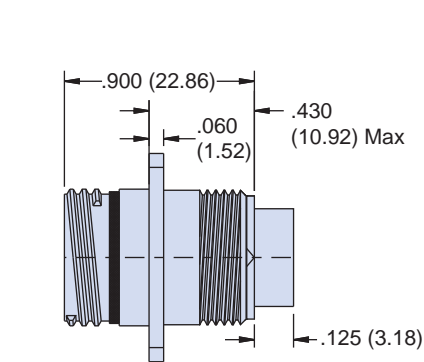
**Rear Panel Jam Nut Mount, Micro AB USB Receptacle**

How To Order				
Sample Part Number	801-084	-02 MUSB	-M	A
Series (See Table I)	801-084 = Shield Termination Porch 801-085 = Accessory Threads			
Shell Style	02 = Square Flange Mount Receptacle 07 = Jam Nut Mount Receptacle			
Shell Material and Finish	NF = Cadmium Olive Drab MT = Nickel PTFE		M = Electroless Nickel ZNU = Black Zinc Nickel	
Shell Key Positions	A, B, C, D, E, F			

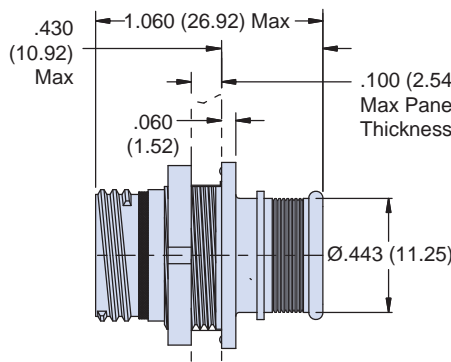
**These Micro AB Receptacles Mate with Glenair Plugs 801-082, 801-083, 801-087 and 801-088**



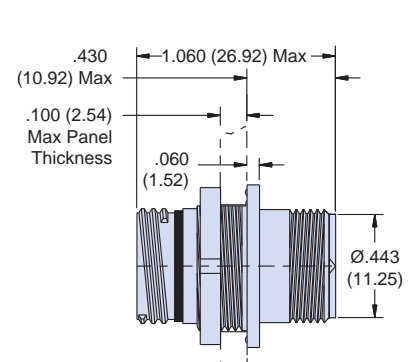
**801-084-02 Square Flange Mount Receptacle with Shield Termination Porch**



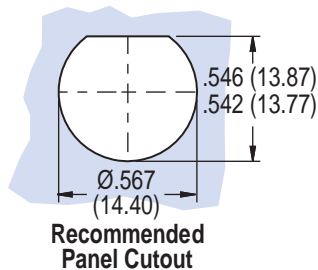
**801-085-02 Square Flange Mount Receptacle with Accessory Threads**



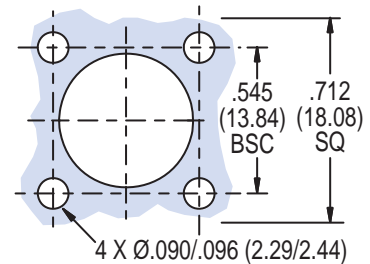
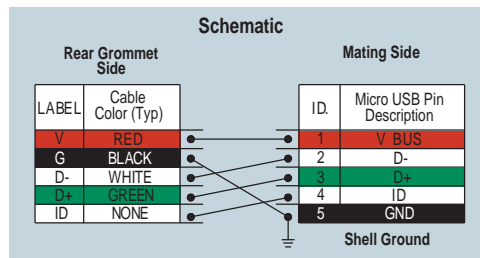
**801-084-07 Square Flange Mount Receptacle with Accessory Threads**



**801-085-07 Jam Nut Mount Receptacle with Accessory Threads**



**Recommended Panel Cutout**



Dimensions in Inches (millimeters) are subject to change without notice.

# SuperSeal™ Mighty Mouse Series 801 Plugs

with Front and Rear Micro “B” USB Plugs  
801-087 and 801-088 Ordering Information



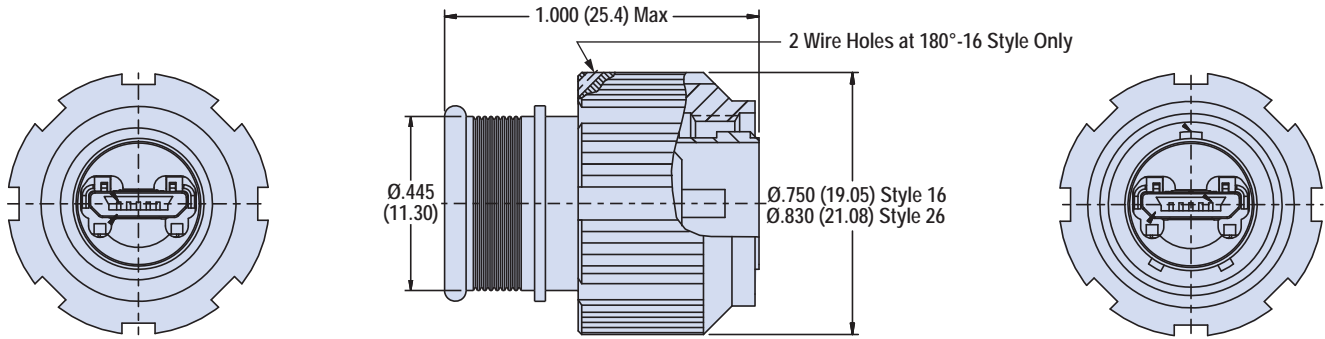
Mighty Mouse  
Micro USB



Plug, Micro B  
USB Front and  
Rear View

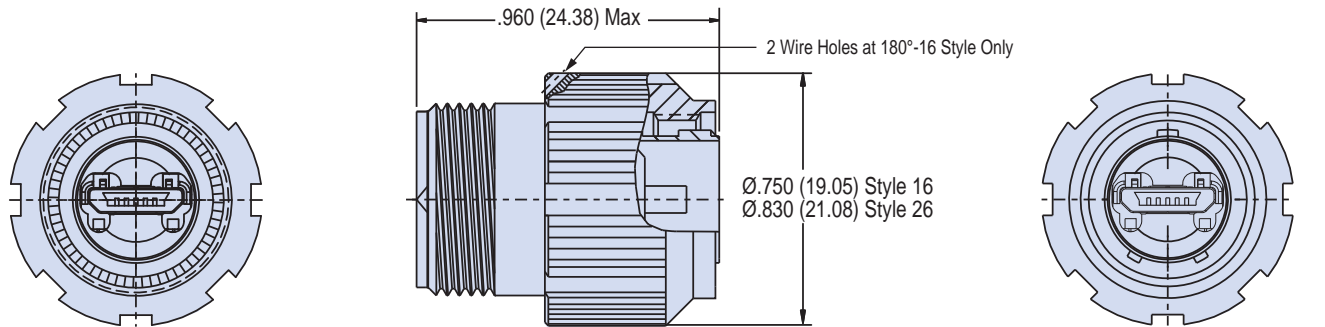
How To Order				
Sample Part Number	801-087	-02 MUSB	-M	A
Series (See Table I)	801-087 = Shield Termination Porch 801-088 = Accessory Threads			
Shell Style	16 = Plug with Anti-Decoupling Spring 26 = Self-Locking Plug with Ratchet Mechanism			
Shell Material and Finish	NF = Cadmium Olive Drab M = Electroless Nickel MT = Nickel PTFE ZNU = Black Zinc Nickel			
Shell Key Positions	A, B, C, D, E, F			

## These Plugs Mate with Glenair Receptacles 801-084 and 801-085



801-087 Micro USB Plug B with Termination Porch

Face view of Plug Adapter as viewed from engaging end

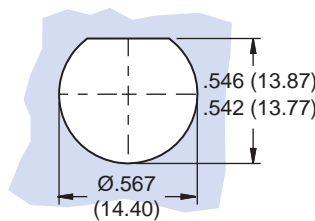


801-088 Micro USB Plug B with Accessory Threads

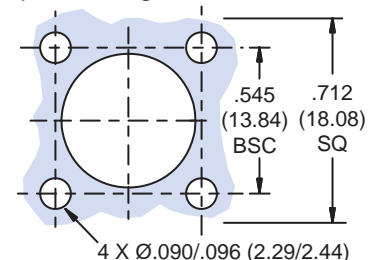
Face view of Plug Adapter as viewed from engaging end

Plug and Receptacle Key Positions		
	A°	B°
A	150°	210°
B	75°	210°
C	95°	230°
D	140°	275°
E	75°	275°
F	95°	210°

Jam Nut Cut-out



Square Flange Cut-out



Dimensions in Inches (millimeters) are subject to change without notice.



# SuperSeal™ Mighty Mouse Series 801 Receptacles

with Front and Rear Micro “AB” USB Receptacles  
801-089 and 801-090 Ordering Information



**Inline Receptacle**

**Jam Nut Receptacle**



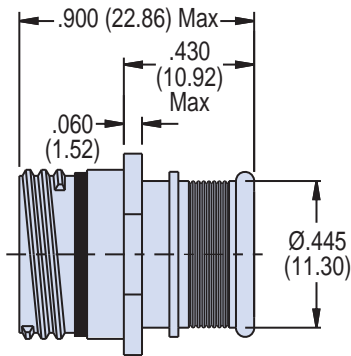
**Square Flange Receptacle**



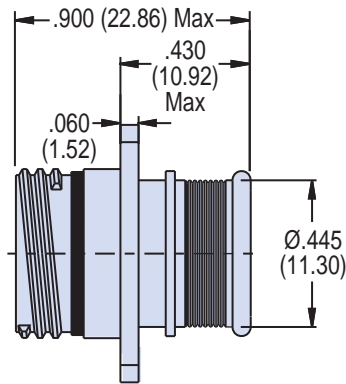
**Equipped with Micro AB USB Receptacles, Front and Rear**

How To Order				
<b>Sample Part Number</b>	<b>801-089</b>	<b>-02 MUSB</b>	<b>-M</b>	<b>A</b>
<b>Series (See Table I)</b>	<b>801-089</b> = Shield Termination Porch <b>801-090</b> = Accessory Threads			
<b>Shell Style</b>	<b>01</b> = In Line Receptacle <b>02</b> = Square Flange Front or Rear Mount Receptacle <b>07</b> = Jam Nut Rear Mount Receptacle			
<b>Shell Material and Finish</b>	<b>NF</b> = Cadmium Olive Drab <b>M</b> = Electroless Nickel <b>MT</b> = Nickel PTFE <b>ZNU</b> = Black Zinc Nickel			
<b>Shell Key Positions</b>	<b>A, B, C, D, E, F</b>			

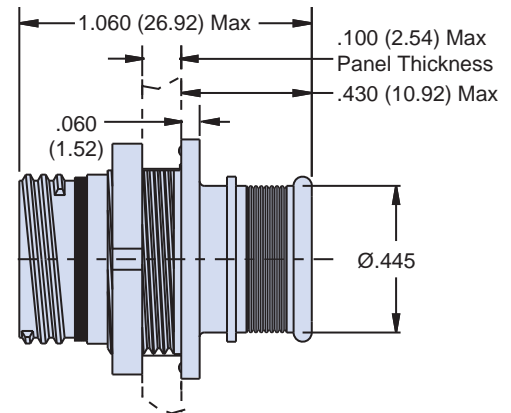
**These Receptacle Connectors Mate with Glenair Plugs 801-082 and 801-083**



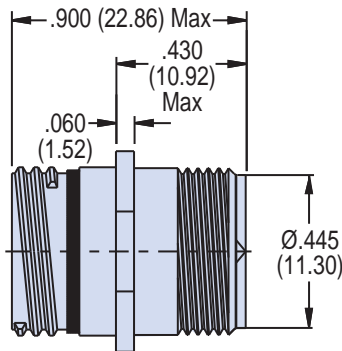
**801-089-01 Inline**



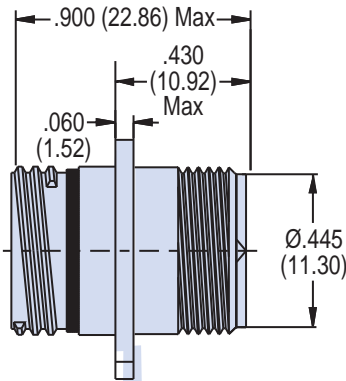
**801-089-02 Square Flange Front or Rear Mount**



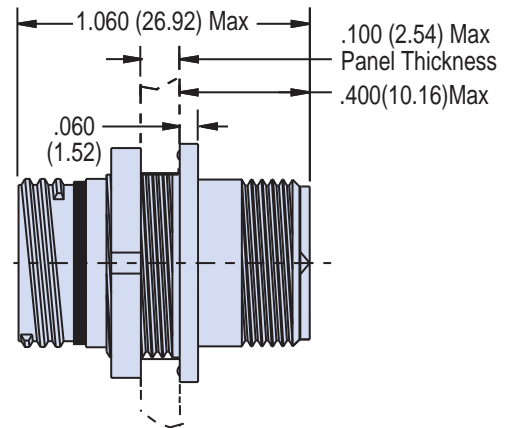
**801-089-07 Jam Nut Rear Mount**



**801-090-01 Inline**



**801-090-02 Square Flange Front or Rear Mount**



**801-090-07 Jam Nut Rear Mount**

Dimensions in Inches (millimeters) are subject to change without notice.

# SuperSeal™ Mighty Mouse Series 801

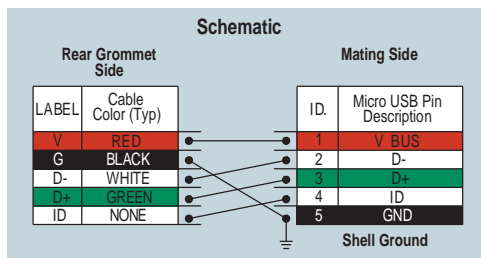
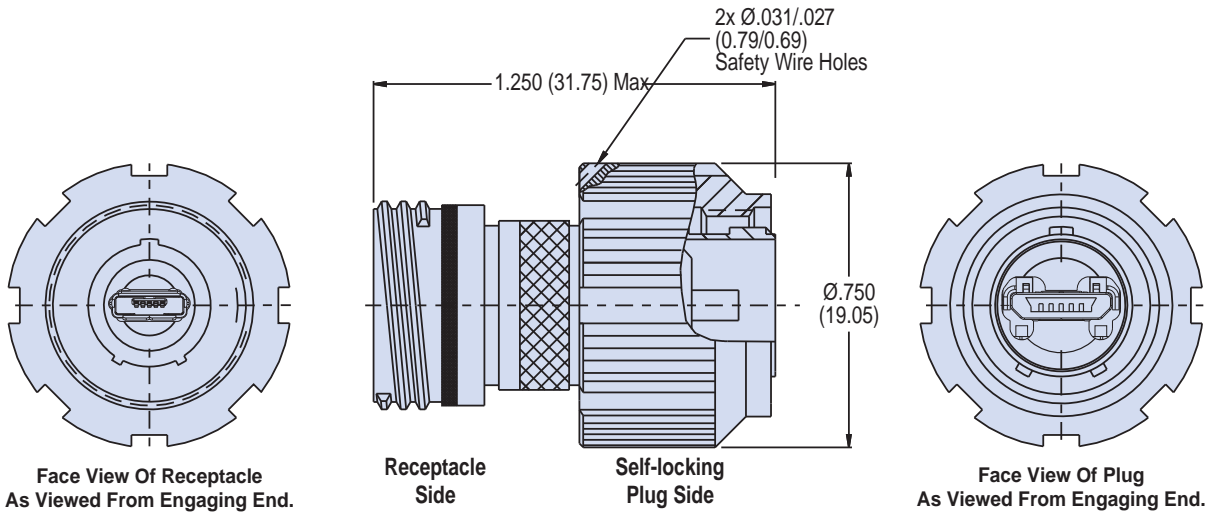
## Sav-Con® Connector Saver with Micro “B” USB Plug and Micro “AB” USB Receptacle

### 801-091 Ordering Information



Mighty Mouse  
Micro USB

How To Order			
Sample Part Number	801-091 -MUSB	-M	A
Series (See Table I)	801-091 = Plug/Receptacle Sav-Con® Connector Saver		
Shell Material and Finish	NF = Cadmium Olive Drab M = Electroless Nickel MT = Nickel PTFE ZNU = Black Zinc Nickel		
Shell Key Positions	A, B, C, D, E, F		



Alternate Key Positions		
	A°	B°
A	150°	210°
B	75°	210°
C	95°	230°
D	140°	275°
E	75°	275°
F	95°	210°

Dimensions in Inches (millimeters) are subject to change without notice.





SERIES 807

**MIGHTY  
MOUSE**

# MOUSEBUD™

Ultra small form factor spring contact quick disconnect connector



The Glenair Mousebud™ is a low profile quick disconnect connector with ideal environmental, electrical and mechanical performance — optimized for rugged applications where reduced size and weight are a requirement. Available in plug and receptacle configurations, the spring contact equipped Mousebud™ is a seven channel 3 amp per line solution for such applications as heads-up display helmet applications, ruggedized soldier computers and field communications equipment. Equipped with a spring loaded latching mechanism, the series 807 Mousebud™ connects with a simple push and releases with a low-profile, thumb-activated lever on the plug coupling nut. Split-shell design of the plug provides easy access to wire terminations and an integrated banding porch eliminates the need for additional backshell accessories. Environmentally rated to IP67, the Mousebud™ is ready for application in a wide range of harsh application environments.

**Glenair**®

Glenair, Inc.  
1211 Air Way  
Glendale, CA  
91201-2497  
818-247-6000  
sales@glenair.com  
www.glenair.com

Series 80 Mighty Mouse  
ASAP Cordsets for High-Speed Serial Data  
Table of Contents and Introduction



**PRODUCT SELECTION GUIDE**

**U**



**Series 80 ASAP Cordsets for High-Speed Ethernet**

**Page U-4**



**USB 2.0 Cordsets**

Standard USB Type A Plug to Ruggedized Mighty Mouse Plug

**Page U-11**



**Cat 5e Ethernet RJ45 Cordsets**

Standard Shielded RJ45 Plug to Ruggedized Mighty Mouse plug

**Page U-12**

Dimensions in Inches (millimeters) are subject to change without notice.



## Series 80 Mighty Mouse ASAP Cordsets for High-Speed Serial Data General Information

U



**Mighty Mouse for 100BASE-T**  
compared to RJ45 Plug in  
MIL-DTL-38999 Connector

- Compact Weight-Saving Design with size #23 Contacts
- USB 2.0, 100BASE-T, 1000BASE-T, IEEE 1394
- Environmentally Protected, Robust Construction
- Aerospace-Grade Cable Meets FAA FAR 25 Flammability
- Tactical-Grade Cable Meets Low-Toxicity Requirements
- Silver-Coated Copper Braid Shield With 95% Coverage over Aluminized Mylar Shield
- Threaded Coupling, Quick-Disconnect or Bayonet Mating

## Glenair's Series 80 ASAP Cordsets for High-Speed Ethernet, USB and Firewire Applications

High-reliability aerospace and defense systems have adopted commercial data protocols such as Ethernet and USB; however, commercial-grade connectors such as RJ45 modular plugs are not suitable for airframe or tactical deployments where shielding, environmental protection, and mechanical robustness are prime considerations. The Mighty Mouse connector, because of its compact size, ruggedness and in-stock availability, is widely deployed

for 100BASE-T, 1000BASE-T and USB 2.0 applications on commercial air transport, military airframe, unmanned vehicles, and dismounted soldiers. This section of the Series 80 catalog provides ordering information and technical information on Mighty Mouse cordsets for Ethernet and other high-speed data applications. These ASAP cordsets in this section feature military-grade construction with the quickest delivery in the industry.



**Full-Duplex Ethernet Switch**  
with Glenair Series 801 4 Pin  
Receptacles and Glenair 38999  
Fiber Optic Connectors

Dimensions in Inches (millimeters) are subject to change without notice.

# Series 80 Mighty Mouse ASAP Cordsets for High-Speed Serial Data Connector Selection Guide



**100BASE-T Cordset  
with 4 Pin Series 800 Connector**

Upgrade commercial high-speed serial interconnects to mil-spec performance. Glenair's ASAP "Mighty Mouse" cordsets are available for 100BASE-T, Gigabit Ethernet, IEE 1394 and USB 2.0 applications. These cordsets combine aerospace-grade data cables with Series 80 "Mighty Mouse" harsh environment connectors for maximum performance and minimum size.

**Three strain relief options** – Standard overmolded cables offer excellent strain-relief and cable sealing. Or, choose heatshrink boots for smallest form factor. If repairability and ruggedness are important, choose machined aluminum EMI backshells.

**FEP jackets** meet FAA flammability requirements. Or, choose **low smoke / zero halogen polyurethane jackets** for mass transit or shipboard applications.

## Three reasons to specify Glenair Series 80 cordsets

**1 Simplified Ordering:** No need to buy cable, connectors, termination tools and strain reliefs.

**2 Guaranteed Performance:** All cordsets are 100% electrically tested.

**3 Faster Delivery:** Cable and connector components are in stock.

## How To Order Cordsets

### Step 1: Select the Connector Series

Table 1 lists the five types of Series 80 connectors. For more information on selecting a connector, please refer to the connector selection chart on the following page. This section does not contain ordering information for series 802 AquaMouse™ cordsets. Please contact Glenair for information on hazardous environment high pressure cables for the 802 Series.

### Step 2: Select the Cable

Table 2 contains specifications for standard data cables. The cable type also determines the connector layout. **4 pin connectors are used for 4 wire cables, and 10 pin connectors are used for 8 wire cables.**

### Step 3: Select a Cable Jacket

Table 3 shows available jacket options. Choose FEP fluoro-carbon jackets for airframe and avionics applications, or choose low smoke/zero halogen polyurethane jackets for soldier systems, vehicles, and transit systems.

### Step 4: Select a Cable-To-Connector Interface

Table 3 provides three ways to attach the cable to the connector:

1. Polyamide boot, overmolded with flexible strain relief
2. Aluminum backshell, shielded, watertight and removable
3. Heat-shrink boot, low smoke/ zero halogen

### Step 5: Select a Connector Configuration

Table 1 shows connector codes for specifying plug versus receptacle and pin versus socket contacts. Add a plating code, keying option and length.

Dimensions in Inches (millimeters) are subject to change without notice.



# Series 80 Mighty Mouse ASAP Cordsets for High-Speed Serial Data How To Order

U

How To Order										
Sample Part Number	801-024	B	F	P	A	C	M	P	Z	-72
Series (See Table I)	<p><b>800-035</b> = Series 800 Cordset, UNF Threaded Coupling, Hex Nut</p> <p><b>801-024</b> = Series 801 Cordset, Double-Start Threaded Coupling</p> <p><b>803-007</b> = Series 803 Cordset, Push-Pull With Bayonet Lock Coupling</p> <p><b>804-013</b> = Series 804 Cordset, Quick-Disconnect Push-Pull</p> <p><b>805-007</b> = Series 805 Cordset, Tri-Start Threaded Coupling with Ratchet and Ground Spring</p>									
Cable	<p><b>A</b> = 100BASE-T Ethernet 4 Cond. UTP, OAL Shield 4 Pin Connector</p> <p><b>B</b> = 100BASE-T Ethernet Quad, OAL Shield, 4 Pin Connector</p> <p><b>C</b> = 1000BASE-T Gigabit Ethernet 8 Cond. UTP, OAL Shield, 10 Pin Connector</p> <p><b>D</b> = IEEE 1394 Hi-Speed Quad 110 Ohm, 4 Pin Connector</p> <p><b>E</b> = USB 2.0, Two #22 Power, One STP #26</p> <p><b>F</b> = Two STP, 100 Ohm, OAL Shield, 4 Pin Connector</p> <p><b>G</b> = Four STP, 100 Ohm, OAL Shield, 10 Pin Connector</p>									
Cable Jacket	<p><b>F</b> = FEP Fluorocarbon Jacket, Translucent Blue</p> <p><b>P</b> = Low Smoke/ Zero Halogen Polyurethane Jacket, Black</p>									
Strain Relief	<p><b>P</b> = Polyamide Overmold</p> <p><b>B</b> = Metal Backshell</p> <p><b>H</b> = Heat-Shrink Boot, Low Smoke/ Zero Halogen</p>									
Connector End A P1	<p><b>A</b> = Plug, with Male Pin Contacts</p> <p><b>B</b> = Plug, with Female Socket Contacts</p>					<p><b>C</b> = Receptacle, with Male Pin Contacts</p> <p><b>D</b> = Receptacle, with Female Socket Contacts</p>				
Connector End B P2	<p><b>A</b> = Plug, with Male Pin Contacts</p> <p><b>B</b> = Plug, with Female Socket Contacts</p> <p><b>C</b> = Receptacle, with Male Pin Contacts</p>					<p><b>D</b> = Receptacle, with Female Socket Contacts</p> <p><b>N</b> = No Connector (Single-Ended)</p>				
Shell Material / Finish	<p><b>M</b> = Aluminum/Electroless Nickel</p> <p><b>NF</b> = Aluminum/Cadmium with Olive Drab Chromate</p> <p><b>ZN</b> = Aluminum/Zinc-Nickel with Olive Drab Chromate</p> <p><b>ZNU</b> = Aluminum/Zinc-Nickel with Black Chromate</p> <p><b>Z1</b> = Stainless Steel/Passivated</p>									
Protective Cover	<p><b>P</b> = Metal Protective Covers Included</p> <p><b>N</b> = No Covers Supplied</p>									
Shell Pol. Pos.	<p>Polarizing position depends on the connector series</p> <p>For Series 800 and 803:</p> <p><b>N</b> = Normal <b>X, Y, Z</b></p> <p>For Series 801 and 805:</p> <p><b>A</b> = Normal <b>B, C, D</b></p> <p>For Series 804: Omit for Single Master Key</p> <p><b>A</b> = Normal <b>B, C, D</b></p>									
Overall Length	Overall Length In Inches 12 Inch Min.									

Dimensions in Inches (millimeters) are subject to change without notice.

# Series 80 Mighty Mouse ASAP Cordsets for High-Speed Serial Data Cable and Jacket Specifications



**Table 2: Cable Specifications**

Cable Code	A	B	C	D	E	F	G
Cable Type	100BASE-T	100BASE-T	1000BASE-T	IEEE 1394	USB 2.0	100 Ω STP	100 Ω STP
Construction	UTP	Quad	UTP	Quad	STP	STP	STP
Number of Pairs	2	-	4	-	1	2	4
Number of Conductors	4	4	8	4	4	4	8
Conductor AWG	24	24	24	24	26 & 22	26	26
Conductor Material	SCCA	SCCA	SCCA	SCCA	SCCA	SCCA	SCCA
Conductor Insulation	FEP	FEP	FEP	FEP	FEP	FEP	FEP
Inner Shield	AM	AM	AM	AM	SCCB	AM	AM
Outer Shield	SCCB	SCCB	SCCB	SCCB	SCCB	SCCB	SCCB
Shield Coverage	95% Min.	95% Min.	95% Min.	95%	95%	95%	95%
Impedance	100 ± 10 Ω	100 ± 10 Ω	100 ± 10 Ω	110 ± 7 Ω	90 ± 13 Ω	100 ± 10 Ω	100 ± 10 Ω
Capacitance (pF/ft.)	13.0	13.0	14.5	12.5	13.0	13.0	13.0
Propagation Velocity	80%	80%	70%	80%	70%	80%	80%
Attenuation (dB/100 ft.) 10MHz	3.1	3.1	3.1	2.9			
Attenuation dB/100 ft.) 100 MHz	8.0	8.0	8.0	7.5			
Attenuation (dB/100 ft.) 500 MHz	-	-	-	15.5			
Attenuation (dB/100 ft.) 1GHz	-	-	-	22.5			
Near-End Crosstalk dB @10MHz	47	47	47.0	47.0			
Near-End Crosstalk dB @100MHz	32	32	32.0	32.0			
Dielectric Withstanding Voltage	1500 VAC	1500 VAC	1500 VAC	1500 VAC	1500 VAC	1500 VAC	1500 VAC

AM – Aluminum Mylar    SCCA – Silver-Coated Copper Alloy    SCCB – Silver-Coated Copper Braid.  
Attenuation values are nominal. Crosstalk values are minimum.

**Table 3: Cable Jacket Options**




Jacket Code	F		P	
Jacket Material	Extruded FEP		Low Smoke/ Zero Halogen Polyurethane	
Typical Use	Airframe, Avionics, Missile		Dismounted Soldier, Shipboard, Armored Vehicle, Railcar	
UL Rating	94 V-0		94 V-0	
FAA Flammability	FAR 25.853(a) FAR 25.869(a)(4)		FAR 25.853(a)	
Temperature Range	-65° to +200° C.		-30 to +105° C.	
Resistance to Solvents	Excellent		Excellent	
Flexibility	Good		Excellent	
Abrasion Resistance	Excellent		Excellent	
Color	Translucent Blue		Black	
Smoke Index NES 711			24	
Toxicity Index NES 713			3.9	
Oxygen Index ASTM D-2863	95%		28%	
Overall Cable Diameter	Cable Code	Diameter	Cable Code	Diameter
	A	.210 (5.33)	A	.238 (6.05)
	B	.175 (4.45)	B	.218 (5.54)
	C	.265 (6.73)	C	.311 (7.90)
	D	.190 (4.83)	D	.236 (5.99)
	E	.200 (5.08)	E	.250 (6.35)
	F	.250 (6.35)	F	.300 (7.62)
	G	.298 (7.57)	G	.344 (2.18)

Dimensions in Inches (millimeters) are subject to change without notice.

## Series 80 Mighty Mouse ASAP Cordsets for High-Speed Serial Data Strain Relief Specifications

U

**Table 4: Cable-To-Connector Interface (Strain Relief)**

Strain Relief Code	P	B	H
			
	Polyamide Overmold	Aluminum Backshell	Heat-Shrink Boot
Material	Polyamide	6061-T6 Aluminum	Polyolefin
Max. Operating Temperature	105° C.	150° C.	105° C.
Hardness	75 Shore A	N/A	
Low temperature Brittle Point	< -45° C.	N/A	< -65° C.
Volume Resistivity	>10 <sup>12</sup> Ohms cm	N/A	
Dielectric Strength	>12 kV/mm	N/A	>12 kV/mm
Flammability (UL 94)	V0 Vertical Burn	N/A	V0 Vertical Burn
Smoke Index (NES 711)	<10	N/A	9.0
Toxicity Index (NES 713)	<7	N/A	1.9
Resistance to Ozone	Excellent	N/A	Excellent
Oil Resistance	Good	N/A	Good
Polar Solvents (alcohol)	Poor	N/A	Good
Non-polar Solvents	Good	N/A	Good
Fuel Resistance	Good	N/A	Fair
Immersion	1 meter MIL-STD-810 Method 512	IP67	1 meter MIL-STD-810 Method 512
Part Number	(Not Sold Separately)	390MS076	770-003

Dimensions in Inches (millimeters) are subject to change without notice.

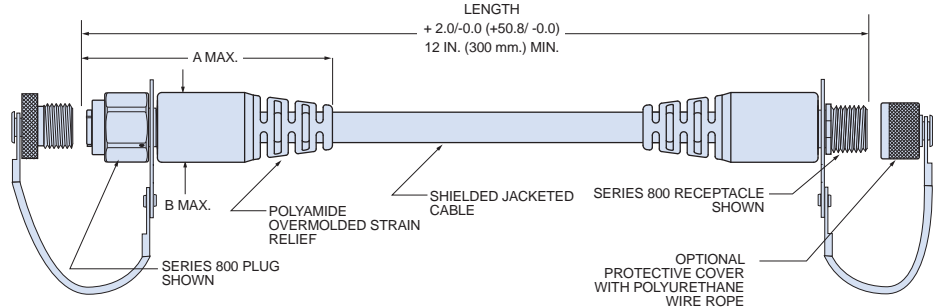
# Series 80 Mighty Mouse ASAP Cordset Dimensions Strain Relief Codes P, B and H



## ASAP Cordset Dimensions

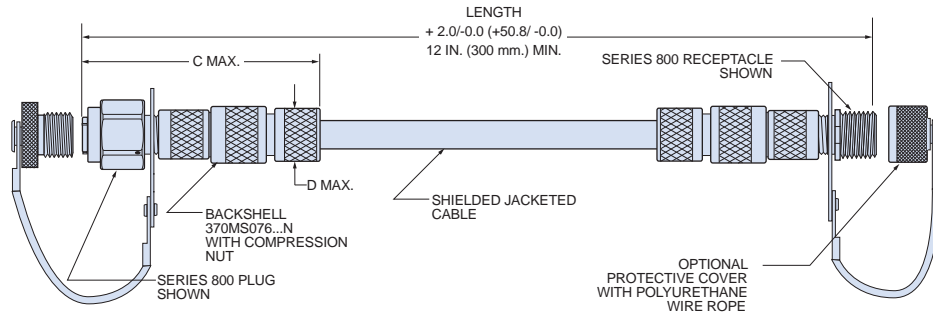
### Strain relief Code P

Polyamide  
Overmold



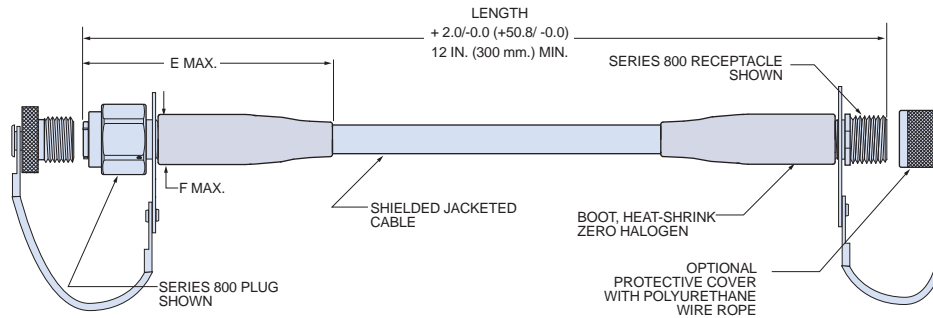
### Strain relief Code B

Metal  
Backshell



### Strain relief Code H

Heatshrink  
Boot



### Dimensions

Cable Code	Type	Number of Connector Pins	A Max.		B Max.		C Max.		D Max.		E Max.		F Max.	
			In.	mm.	In.	mm.	In.	mm.	In.	mm.	In.	mm.	In.	mm.
A	2 Pair UTP 100 Ω	4	2.500	63.50	.560	14.22	2.100	53.34	.530	13.46	1.600	40.64	.470	11.94
B	Quad 100 Ω	4	2.500	63.50	.560	14.22	2.100	53.34	.530	13.46	1.600	40.64	.470	11.94
C	4 Pair UTP 100 Ω	10	2.500	63.50	.680	17.27	2.100	53.34	.600	15.24	1.600	40.64	.580	14.73
D	Quad 110 Ω	4	2.500	63.50	.560	14.22	2.100	53.34	.530	13.46	1.600	40.64	.470	11.94
E	USB 90 Ω	4	2.500	63.50	.560	14.22	2.100	53.34	.600	15.24	1.600	40.64	.470	11.94
F	2 Pair STP 100 Ω	4	2.500	63.50	.560	14.22	2.100	53.34	.600	15.24	1.600	40.64	.470	11.94
G	4 Pair STP 100 Ω	10	2.500	63.50	.680	17.27	2.100	53.34	.600	15.24	1.600	40.64	.580	14.73

Dimensions in Inches (millimeters) are subject to change without notice.



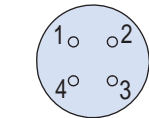
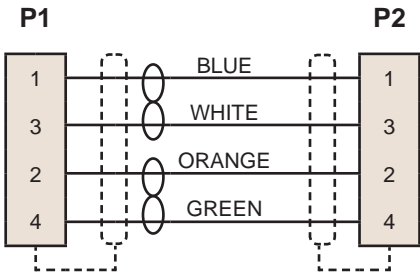


# Series 80 Mighty Mouse ASAP Cordset Wiring Schematics Type A, B and C Cables

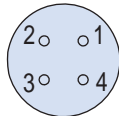
## Wiring Schematics For Type A and Type B Cable



**WIRING DIAGRAM  
CABLE TYPE A  
100BASE-T UTP**

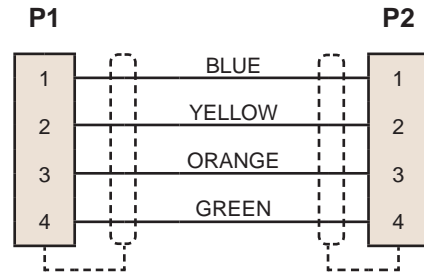


Pin Connector  
Mating Face



Socket Connector  
Mating Face

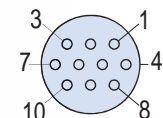
**WIRING DIAGRAM  
CABLE TYPE B  
100BASE-T QUAD**



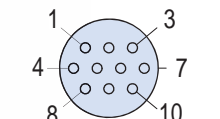
## Wiring Schematic for Type C Cable for Gigabit Ethernet Applications

**WIRING DIAGRAM  
CABLE TYPE C  
1000BASE-T UTP**

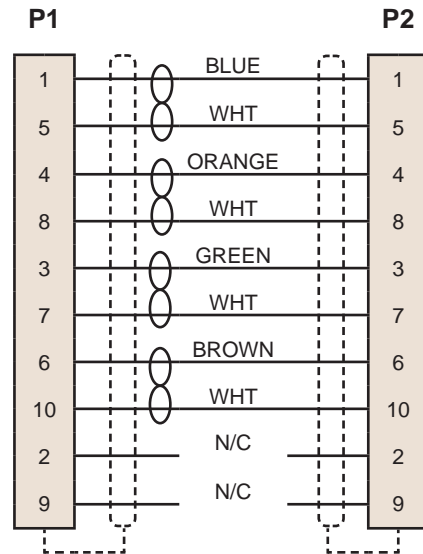
10 Pin Connector  
for Gigabit  
Ethernet



Pin Connector  
Mating Face



Socket Connector  
Mating Face



Dimensions in Inches (millimeters) are subject to change without notice.

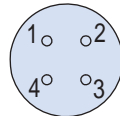
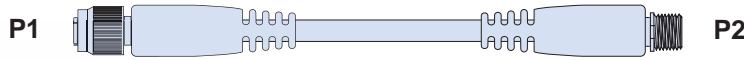
# Series 80 Mighty Mouse ASAP Cordset Wiring Schematics Type D and E Cables



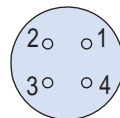
## Wiring Schematic for Type D Quad Cable For IEEE 1394 Applications



4 Pin Connector for  
IEEE 1394

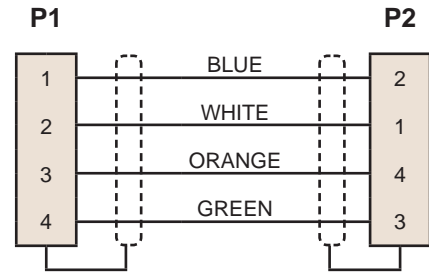


Pin Connector  
Mating Face

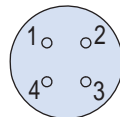
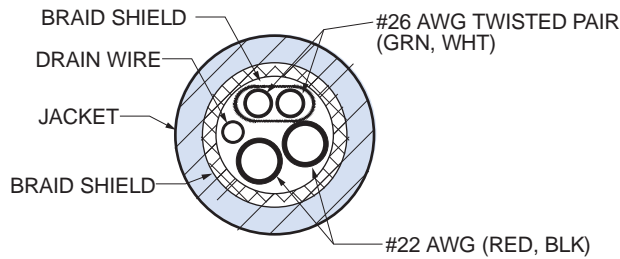
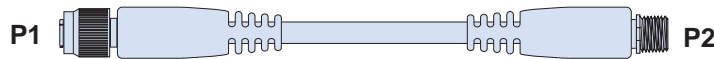


Socket Connector  
Mating Face

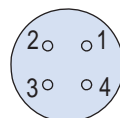
### WIRING DIAGRAM CABLE TYPE D 1394 QUAD



## Wiring Schematic for Type E Cable For USB 2.0 Applications

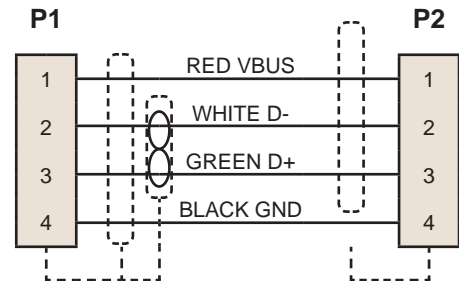


Pin Connector  
Mating Face



Socket Connector  
Mating Face

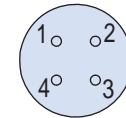
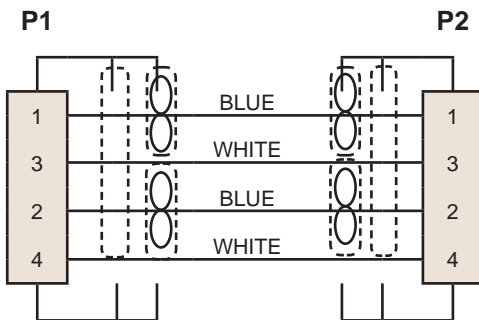
### WIRING DIAGRAM CABLE TYPE E USB 2.0



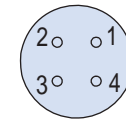
Dimensions in Inches (millimeters) are subject to change without notice.

## Wiring Schematic for Type F Cable for 100 Ohm STP Applications

### WIRING DIAGRAM CABLE TYPE F TWO 100 OHM SHIELDED TWISTED PAIRS WITH OVERALL SHIELD



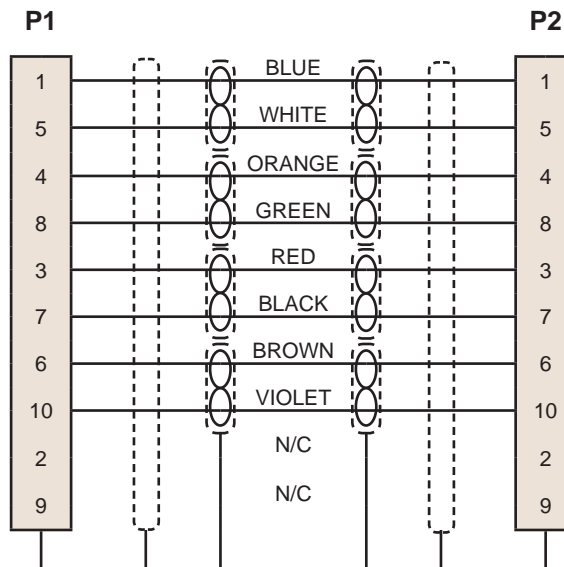
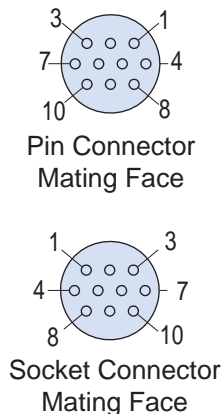
Pin Connector  
Mating Face



Socket Connector  
Mating Face

## Wiring Schematic For Type G Cable For 100 Ohm STP Applications

### WIRING DIAGRAM CABLE TYPE G FOUR STP



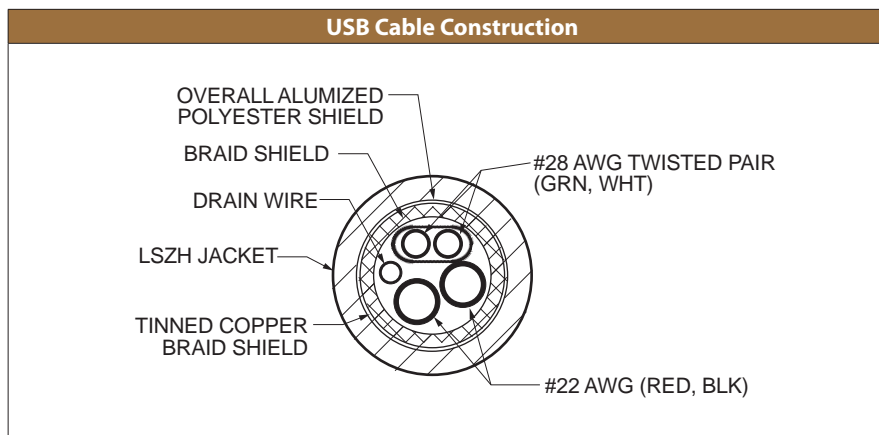
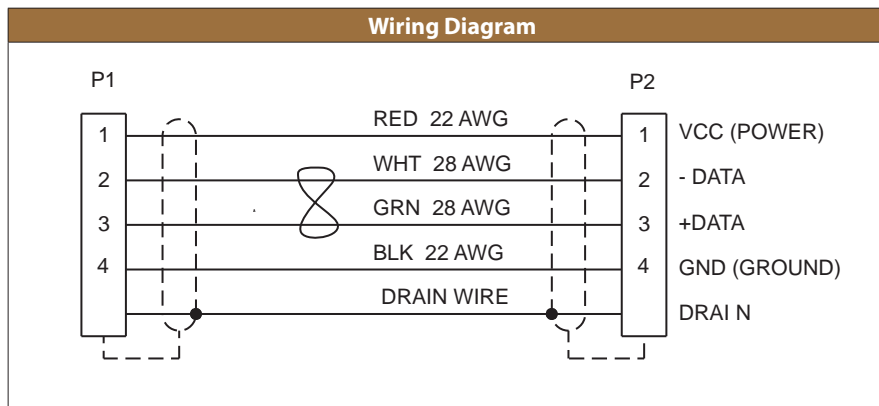
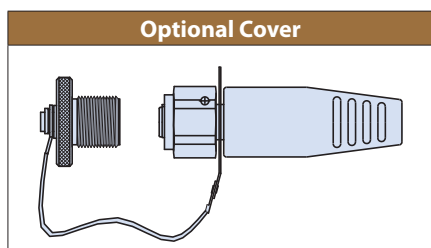
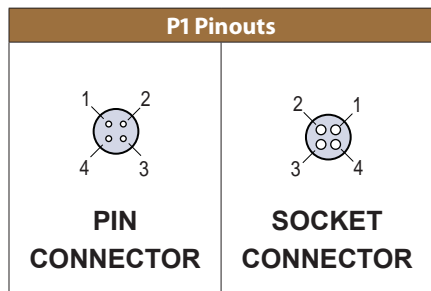
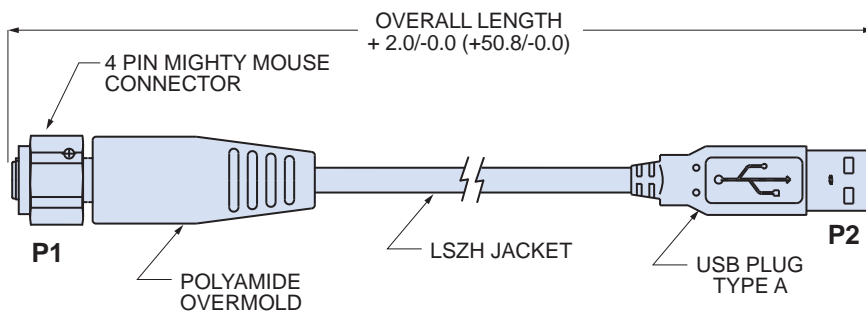
Dimensions in Inches (millimeters) are subject to change without notice.

# Series 80 Mighty Mouse USB 2.0 Cordsets



## Cordset, USB Type A plug to Mighty Mouse connector

These USB 2.0 cordsets have a standard USB type A plug on one end and a ruggedized Mighty Mouse plug on the other end. Low smoke zero halogen cable is UL VW-1 rated. #22 AWG power leads provide maximum current and low resistance. #28 AWG twisted pair data leads help reduce crosstalk. Rugged flexible molded cable ends provide strain relief and ingress protection. 100% tested for continuity and insulation resistance.



Dimensions in Inches (millimeters) are subject to change without notice.



## Series 80 Mighty Mouse USB 2.0 Cordsets

U

### How To Order

Sample Part Number	801-028	A	ZNU	N	A	-72
Series (See Table I)	<p><b>800-036</b> = Series 800 Cordset, UNF Threaded Coupling, Hex Nut  <b>801-028</b> = Series 801 Cordset, Double-Start Threaded Coupling  <b>803-011</b> = Series 803 Cordset, Push-Pull With Bayonet Lock Coupling  <b>804-016</b> = Series 804 Cordset, Quick-Disconnect Push-Pull  <b>805-012</b> = Series 805 Cordset, Tri-Start Threaded Coupling with Ratchet and Ground Spring</p>					
Shell Style	<p><b>A</b> = Plug, with Male Pin Contacts  <b>B</b> = Plug, with Female Socket Contacts  <b>C</b> = Receptacle, with Male Pin Contacts  <b>D</b> = Receptacle, with Female Socket Contacts</p>					
Shell Material and Finish	<p><b>M</b> = Aluminum / Electroless Nickel  <b>NF</b> = Aluminum / Cadmium with Olive Drab  <b>ZNU</b> = Aluminum / Zinc-Nickel with Black Chromate  <b>MT</b> = Aluminum / Nickel-PTFE  <b>Z1</b> = Stainless Steel / Passivated</p>					
Protective Cover	<p><b>P</b> = Metal Protective Cover, with Lanyard (for Mighty Mouse Connector)  <b>N</b> = No Covers Supplied</p>					
Shell Polarizing Position	<p>Polarizing position depends on the connector series.  For Series 800 and 803:  <b>N</b> (Normal), <b>X</b>, <b>Y</b> or <b>Z</b>  For Series 801 and 805:  <b>A</b> (Normal), <b>B</b>, <b>C</b>, <b>D</b>  For Series 804:  Omit (Leave Blank) for Single Master Key  <b>A</b> (Normal), <b>B</b>, <b>C</b>, <b>D</b></p>					
Overall Length	<p>Overall Length In Inches  <b>18, 36, 72, 120</b></p>					

### Table I: Series

				
<b>800-036</b> Series 801 Cordset, UNF Threaded Coupling, Hex Nut	<b>801-028</b> Series 801 Cordset, Double- Start Threaded Coupling	<b>803-011</b> Series 803 Cordset, Push-Pull With Bayonet Lock Coupling	<b>804-016</b> Series 804 Cordset, Quick- Disconnect Push-Pull	<b>805-012</b> Series 805 Cordset, Tri-Start Threaded Coupling with Ratchet and Ground Spring

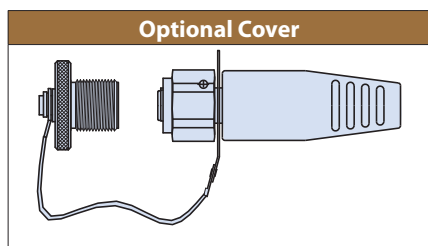
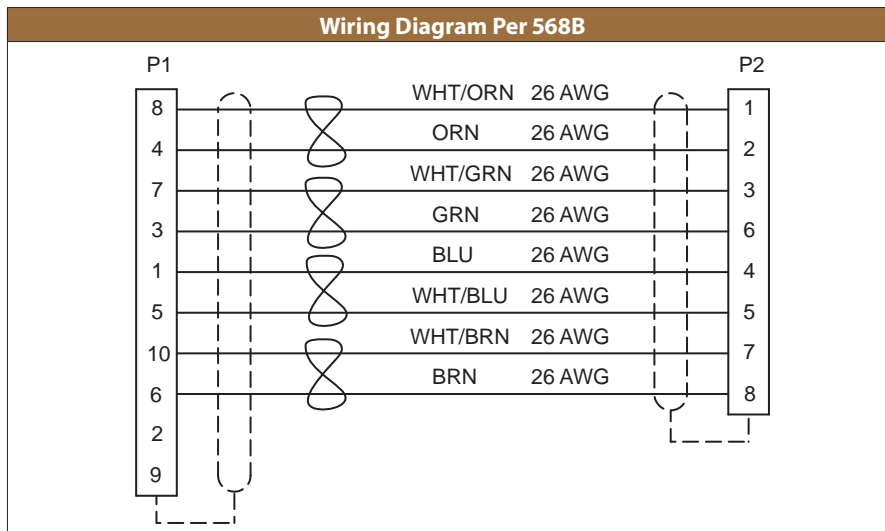
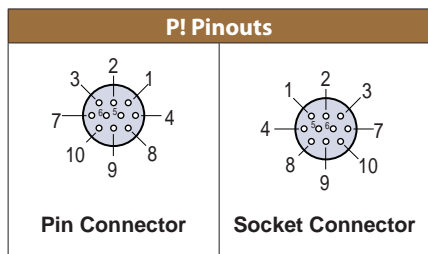
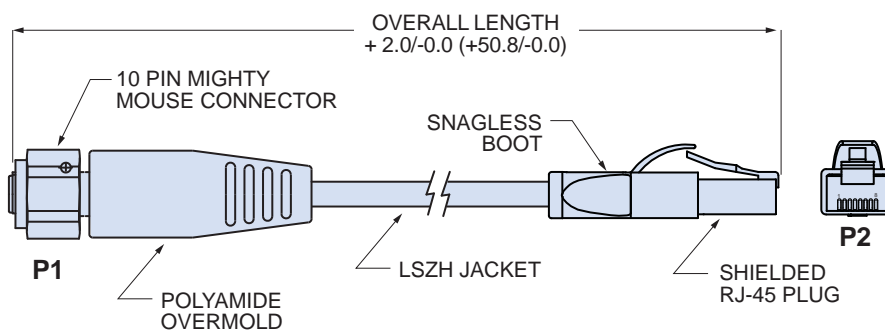
Dimensions in Inches (millimeters) are subject to change without notice.

# Series 80 Mighty Mouse Cat 5e Ethernet RJ45 Cordsets



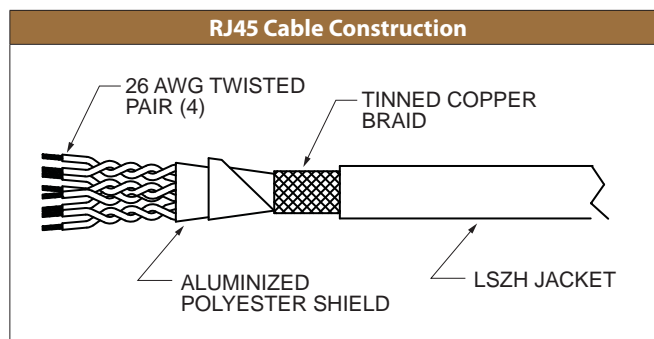
## Cordset, Cat 5e RJ45 to Mighty Mouse connector

These Cat 5e cordsets have a standard shielded RJ45 modular plug on one end and a ruggedized Mighty Mouse 10 pin plug on the other end. Low smoke zero halogen cable is ULVW-1 rated and RoHS compliant. Certified to TAI/EIA-568-B.2. Cable has four #26 twisted pairs plus tinned copper braid shield. Mighty Mouse connector is overmolded with polyamide for strain relief and ingress protection. RJ45 plug has molded snagless boot and 50 microinches gold plating on contacts. 100% tested for continuity and insulation resistance. Operating temperature -20°C to +60°C.



**RJ45 Materials and Finishes**

RJ45 Housing	Polycarbonate, clear, UL94V-0
RJ45 Contacts	Phosphor bronze, 50 μinches gold over 100 μinches Ni plating
Cable Jacket	LSZH, black
RJ45 Shield	Brass, nickel plated
RJ45 Boot	LSZH thermoplastic



Dimensions in Inches (millimeters) are subject to change without notice.



# Series 80 Mighty Mouse Cat 5e Ethernet RJ45 Cordsets

## Ordering Information

### How To Order

Sample Part Number	801-029	B	MT	N	A	-36			
Series (See Table I)	<p><b>800-037</b> = Series 800 Cordset, UNF Threaded Coupling, Hex Nut  <b>801-029</b> = Series 801 Cordset, Double-Start Threaded Coupling  <b>803-012</b> = Series 803 Cordset, Push-Pull With Bayonet Lock Coupling  <b>804-017</b> = Series 804 Cordset, Quick-Disconnect Push-Pull  <b>805-013</b> = Series 805 Cordset, Tri-Start Threaded Coupling with Ratchet and Ground Spring</p>								
Shell Style	<p><b>A</b> = Plug, with Male Pin Contacts  <b>B</b> = Plug, with Female Socket Contacts  <b>C</b> = Receptacle, with Male Pin Contacts  <b>D</b> = Receptacle, with Female Socket Contacts</p>								
Shell Material and Finish	<p><b>M</b> = Aluminum / Electroless Nickel  <b>NF</b> = Aluminum / Cadmium with Olive Drab  <b>ZNU</b> = Aluminum / Zinc-Nickel with Black Chromate  <b>MT</b> = Aluminum / Nickel-PTFE  <b>Z1</b> = Stainless Steel / Passivated</p>								
Protective Cover	<p><b>P</b> = Metal Protective Cover, with Lanyard (for Mighty Mouse Connector)  <b>N</b> = No Covers Supplied</p>								
Shell Polarizing Position	<p>Polarizing position depends on the connector series.</p> <table border="0"> <tr> <td><b>For Series 800 and 803:</b> <b>N</b> (Normal), <b>X</b>, <b>Y</b> or <b>Z</b></td> <td><b>For Series 801 and 805:</b> <b>A</b> (Normal), <b>B</b>, <b>C</b>, <b>D</b></td> <td><b>For Series 804:</b> Omit (Leave Blank) for Single Master Key <b>A</b> (Normal), <b>B</b>, <b>C</b>, <b>D</b></td> </tr> </table>						<b>For Series 800 and 803:</b> <b>N</b> (Normal), <b>X</b> , <b>Y</b> or <b>Z</b>	<b>For Series 801 and 805:</b> <b>A</b> (Normal), <b>B</b> , <b>C</b> , <b>D</b>	<b>For Series 804:</b> Omit (Leave Blank) for Single Master Key <b>A</b> (Normal), <b>B</b> , <b>C</b> , <b>D</b>
<b>For Series 800 and 803:</b> <b>N</b> (Normal), <b>X</b> , <b>Y</b> or <b>Z</b>	<b>For Series 801 and 805:</b> <b>A</b> (Normal), <b>B</b> , <b>C</b> , <b>D</b>	<b>For Series 804:</b> Omit (Leave Blank) for Single Master Key <b>A</b> (Normal), <b>B</b> , <b>C</b> , <b>D</b>							
Overall Length	<p>Overall Length In Inches  <b>18, 36, 72, 120</b></p>								

### Table I: Series

				
<b>800-037</b> Series 801 Cordset, UNF Threaded Coupling, Hex Nut	<b>801-029</b> Series 801 Cordset, Double- Start Threaded Coupling	<b>803-012</b> Series 803 Cordset, Push-Pull With Bayonet Lock Coupling	<b>804-017</b> Series 804 Cordset, Quick- Disconnect Push-Pull	<b>805-013</b> Series 805 Cordset, Tri-Start Threaded Coupling with Ratchet and Ground Spring

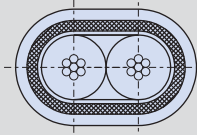
Dimensions in Inches (millimeters) are subject to change without notice.

# Protocol Specific Cables For USB, Ethernet, HDMI and Others Table of Contents and Introduction



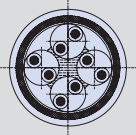
High-Speed Cable

## PRODUCT SELECTION GUIDE



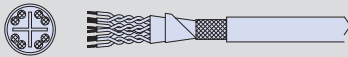
**963-001**  
100 Ohm Differential Parallel Pair Data Cable

Page V-3



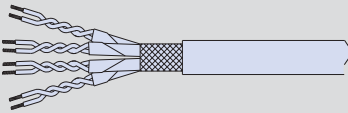
**963-002**  
Tactical Cat 5e Ethernet Cable with Polyurethane Jacket

Page V-4



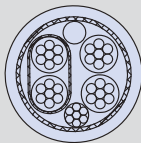
**963-003**  
Avionic Cat 6a Ethernet Cable with FEP Jacket

Page V-5



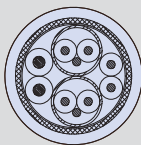
**963-004**  
Cat 7 Ethernet Cable with PVC Jacket

Page V-6



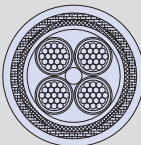
**963-005**  
USB 2.0 Cable with FEP, Polyurethane or No Jacket

Page V-7



**963-012**  
USB 3.0 Cable with Polyurethane Jacket

Page V-8



**963-006**  
IEEE 1394 110 Ohm Quad Cable with FEP, Polyurethane or No Jacket

Page V-9



**963-013**  
100 Ohm SATA/eSATA Cable with Polyurethane Jacket

Page V-10

Dimensions in Inches (millimeters) are subject to change without notice.







## Protocol Specific Cables For USB, Ethernet, HDMI and Others General Information

### High Performance, Protocol-Compliant Cable for Series 80 Mighty Mouse *High-Speed* Applications

In addition to the turnkey cordsets offered in each respective section of this catalog, Glenair is pleased to offer our *High-Speed* Mighty Mouse customers discrete bulk cable for on-site termination. All of the cables in this section have been selected for protocol compliance IAW industry-standard Ethernet, USB, and SATA/eSATA specifications and the harsh mission-critical application environments where the Series 80 Mighty Mouse excels. Without exception, cables have been designed and fabricated to optimize flexibility, weight reduction, ruggedness, and insulator quality. Each cable is offered with specific guidance as to shielding properties, impedance performance, attenuation, temperature rating, bend radius, weight, and maximum practical distance. All of the cable part numbers detailed here are in stock and ready for immediate, same-day shipment with no length or dollar minimums.

963-001	100 Ohm Differential Parallel Pair Data Cable
963-002	Tactical Cat 5e Ethernet Cable with Polyurethane Jacket
963-003	Avionic Cat 6a Ethernet Cable with FEP Jacket
963-004	Cat 7 Ethernet Cable with PVC Jacket
963-005	USB 2.0 Cable with FEP or Polyurethane Jacket
963-012	USB 3.0 Cable with Polyurethane Jacket
963-006	IEEE 1394 110 Ohm Quad Cable with FEP or Polyurethane Jacket
963-013	100 Ohm SATA/eSATA Cable with Polyurethane Jacket

Glenair's vertically integrated connector, hardware and cable facilities are perfectly positioned to supply catalog and custom short cable runs for the broad range of high-speed interconnect applications.



Dimensions in Inches (millimeters) are subject to change without notice.

# 100 Ohm Differential Parallel Pair Data Cable

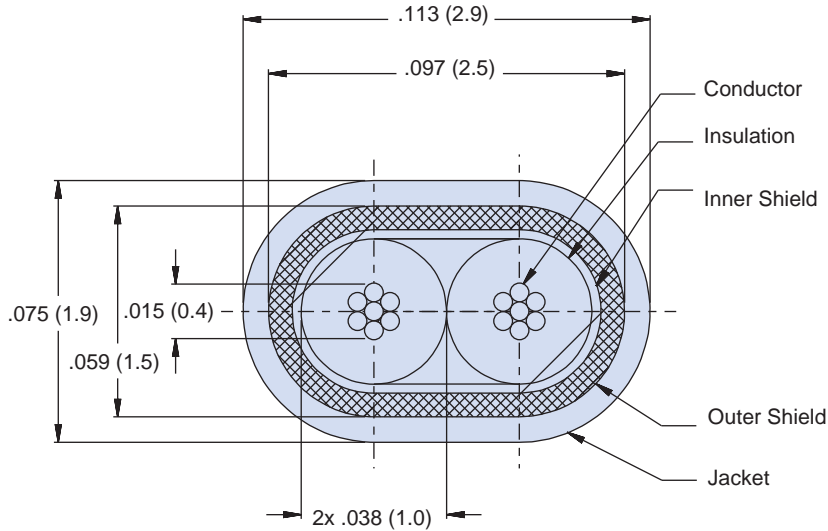
## 963-001 Ordering Information



High-Speed Cable



### 963-001: 100 Ohm differential parallel pair data cable



Properties	
Impedance	100 Ohms $\pm$ 10
Attenuation	0.25 dB/m @ 100 MHz .075 dB/m @ 500 MHz 1.25 dB/m @ 1000 MHz
Impedance	100 $\pm$ 10 Ohms
Capacitance	12.0 pF/ft (nom)
Velocity of Propagation	80%
Temperature Rating	150°C

Construction Details		
Data Pair	Conductor	2x 28 AWG (7/36) silver plated high strength copper alloy (.015" OD)
	Insulation	Extruded Foamed Fluoropolymer (.038")
	Colors	Blue and white
	Shield Coverage	Silver plated copper, 38 AWG, 95% minimum
Inner Shield		Aluminum/ Polyester tape, 100% coverage
Outer Shield		Round silver plated copper braid, 90% coverage
Jacket		Extruded FEP
Color		Transparent blue

#### NOTES

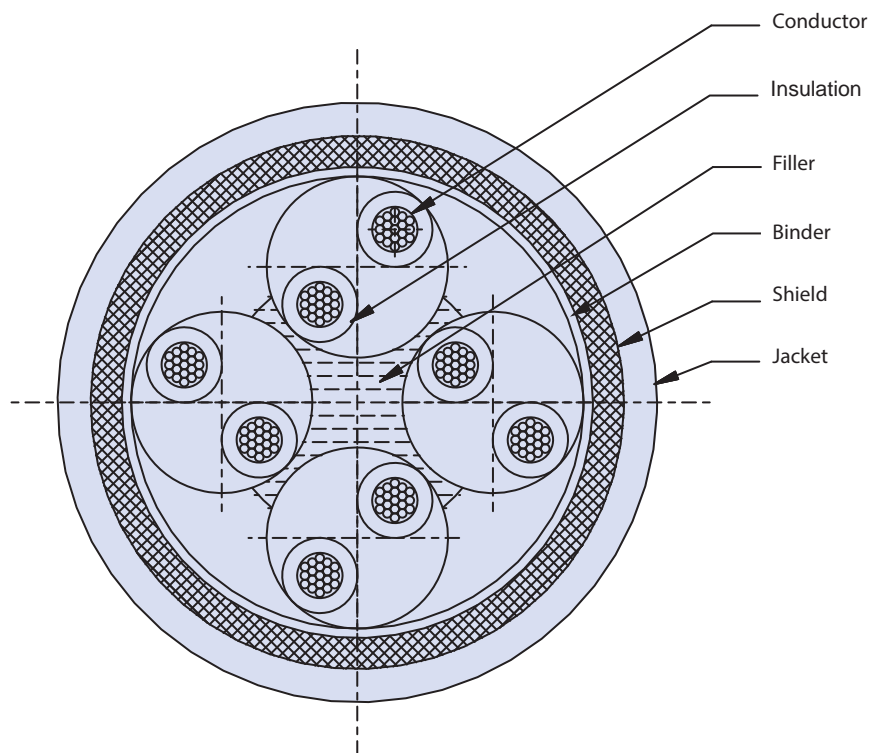
- Cable identified with manufacturer's name and part number.
- Cable is sold in 1 foot increments. Specify desired length on purchase order.

Dimensions in Inches (millimeters) are subject to change without notice.

## Tactical Cat 5e Ethernet Cable

### 963-002 Ordering Information

#### 963-002: 1000 BASE-T Ethernet cable with polyurethane jacket



Construction Details		
	Details	Diameter (Inches)
Conductor	24 AWG 19x36 silver plated copper alloy	.0235
Insulation	Fluoropolymer	.045
Colors	<b>Pair #1</b> white/blue and blue	.235 .300
	<b>Pair #2</b> white/orange and orange	
	<b>Pair #3</b> white/green and green	
	<b>Pair #4</b> white/brown and brown	
Two insulated conductors twisted together (varied lays)		

Properties	
Impedance	100 Ohms $\pm$ 15% (1 to 100 MHz)
Attenuation	8.0 dB/100 ft @ 100 MHz
NEXT	35.3 dB @ 100MHz
PSNEXT	32.3 dB @ 100 MHz
ELFEXT	23.8 dB @ 100 MHz
PSELFEXT	20.8 dB @ 100 MHz
Temperature Rating	200° C
Minimum Bend Radius	1.25" (dynamic) 1.00" (static)
Weight	4.8 lbs/100 ft
Max Cabling Distance	80 meters (100BASE-T)

Final Assembly	
Cable	Four twisted pairs caled around a center filler
Binder	Skive PTFE tape
Shield 1	Aluminum polyester
Shield 2	38 AWG silver plated copper braid 80% coverage
Jacket	Polyurethane (Estane 58244) Color: Black .030" minimum jacket wall

#### NOTES

- Cable identified with manufacturer's name and part number.
- Cable is sold in 1 foot increments. Specify desired length on purchase order.

Dimensions in Inches (millimeters) are subject to change without notice.

# Avionic Cat 6a Ethernet Cable

## 963-003

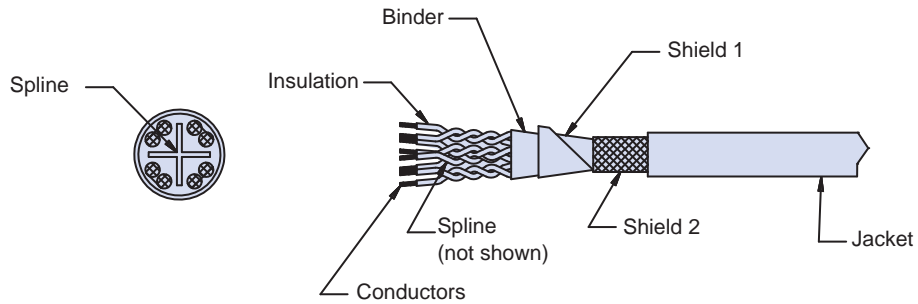


High-Speed Cable



### 963-003: 10G BASE-T ETHERNET CABLE WITH FEP JACKET

How to Order	
963-003-24	24 AWG
963-003-26	26 AWG



Construction Details		
	963-003-24	963-003-26
Conductor	24 AWG silver plated copper	26 AWG stranded silver plated copper
Insulation	FEP	PFA
Colors	Pair #1 white/blue and blue stripe Pair #2 white/orange and orange stripe Pair #3 white/green and green stripe Pair #4 white/brown and brown stripe	Pair #1 white/blue and blue stripe Pair #2 white/orange and orange stripe Pair #3 white/green and green stripe Pair #4 white/brown and brown stripe

Final Assembly		
	963-003-24	963-003-26
Conductors	Silver plated copper	Silver plated copper
Insulation	FEP	PFA
Cable	Four twisted pairs cabled around a center filler	Four twisted pairs cabled around a center filler
Spline	FEP	Fluoropolymer
Binder	Skive PTFE tape	Fluoropolymer tape
Shield 1	Aluminum mylar	n/a
Shield 2	38 AWG silver plated copper braid 90% coverage	silver plated copper braid 80% coverage
Jacket	FEP Color: Translucent blue .275" Nominal OD	PTFE laser printable jacket Color: White .220" nominal OD

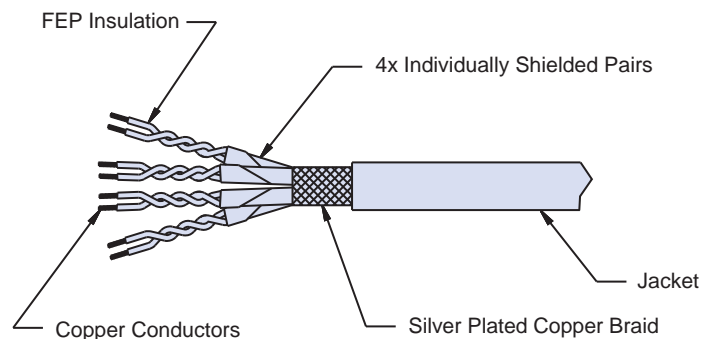
Properties		
	963-003-24	963-003-26
Impedance	100 Ohms ± 10%	100 Ohms ± 10%
Attenuation (dB/100 Ft)	10 MHz - 2.4 100 MHz - 7.5 500 MHz - 17.7	10 MHz - 3.7 100 MHz - 11.2 500 MHz - 24.0
NEXT	10 MHz - 59.3 100 MHz - 44.3 250 MHz - 38.3 500 MHz - 33.8	10 MHz - 59.3 100 MHz - 44.3 250 MHz - 38.3 500 MHz - 33.8
SRL	10 MHz - 25.0 100 MHz - 20.1 250/500 MHz - 15.2	10 MHz - 25.0 100 MHz - 20.1 250/500 MHz - 15.2
Capacitance (pF/ft)	14.5 (nominal)	14.5 (nominal)
Velocity of Propagation	70% (nominal)	70% (nominal)
DWV	1.5 KV RMS	1.5 KV RMS
Temperature Rating	-55° to +200° C	-55° to +200° C
Minimum Bend Radius	1.4 Inches	1.13 Inches
Weight	5.5 lbs/100 ft	3.05 lbs/100 ft
Max Cabling Distance	240 Feet (10GBASE-T)	188 Feet

#### NOTES

- Cable identified with manufacturer's name and part number.
- Cable is sold in 1 foot increments. Specify desired length on purchase order.
- Meets TIA-568B CAT-6A requirements when terminated to appropriate high speed connectors.
- Skydrol resistant, RoHS compliant and passes flamability requirements of FAR part 23 and 25, appendix F.

Dimensions in Inches (millimeters) are subject to change without notice.

### 963-004: 10G BASE-T Ethernet cable with PVC jacket



Construction Details	
Conductor	23 AWG solid copper alloy (.024" OD)
Insulation	Foam FEP (.057" OD)
Colors	<b>Pair #1</b> white with blue stripe <b>Pair #2</b> orange/white with orange stripe <b>Pair #3</b> green/white and green stripe <b>Pair #4</b> brown/white and brown stripe
Pair Shield	Aluminum mylar, 100% aluminum side facing out (.115" OD)
Overall Shield	Braid, silver plated copper 38 AWG, 85% minimum (.274" nominal OD)
Jacket	0.298" nominal OD

Properties	
Impedance	100 Ohms $\pm$ 10%
Attenuation (dB/100 M)	10 MHz - 5.7
	100 MHz - 18.5
	300 MHz - 33.3
	600 MHz - 48.9
NEXT	1000 MHz - 64
	10 MHz - 80
	100 MHz - 72.4
	300 MHz - 65.3
SRL	600 MHz - 60.8
	1000 MHz - 67
	10 MHz - 25
	100 MHz - 20.1
Capacitance (pF/ft)	300 MHz - 17.3
	600 MHz - 17.3
Velocity of Propagation	1000 MHz - 18
	14.5 (nominal)
DWV	80% (nominal)
Temperature Rating	1000V RMS
Weight	-20° to +70° C
	4.1 lbs/100 ft

#### NOTES

- Cable identified with manufacturer's name and part number.
- Cable is sold in 1 foot increments. Specify desired length on purchase order.

Dimensions in Inches (millimeters) are subject to change without notice.

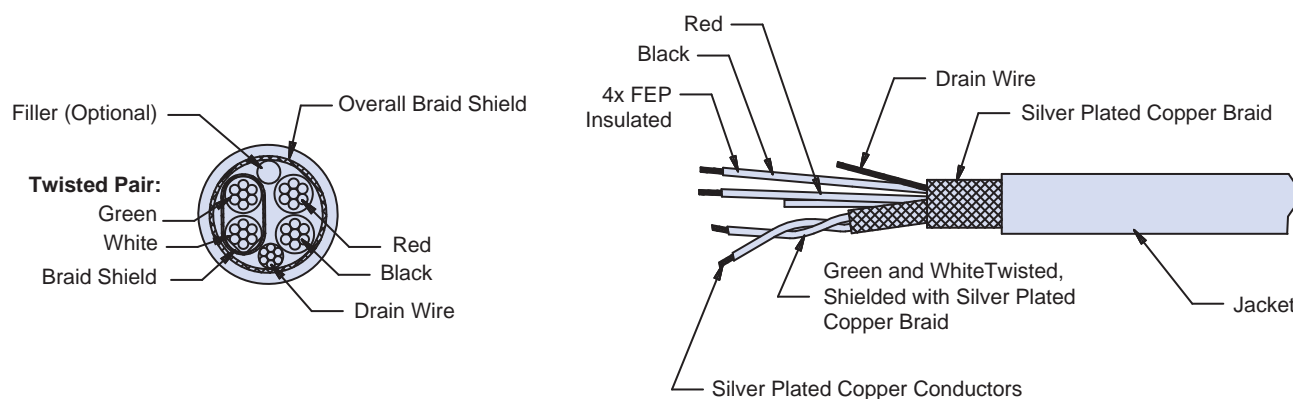
# USB 2.0 Cable

## 963-005 Ordering Information



### 963-005: USB 2.0 cable with FEP, polyurethane or no jacket

How To Order		
Sample Part Number	963-005	-2
Series	963-005 = USB 2.0 cable with FEP, polyurethane or no jacket	
Cable Jacket Material	1 - Less Jacket 2 - FEP (translucent blue) 3 - Polyurethane, zero halogen, Estane 58244 TPU or equivalent (black)	



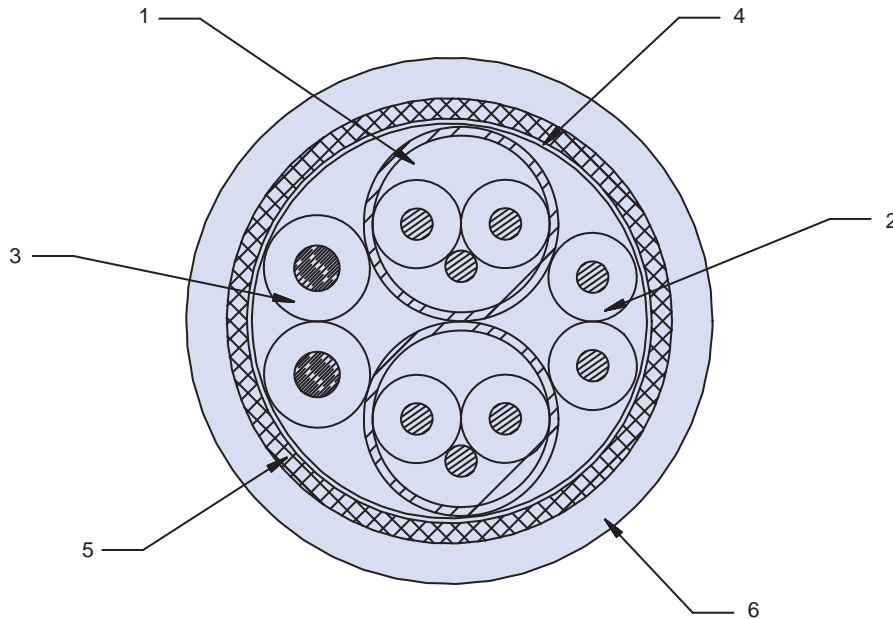
Properties	
Impedance	90 Ohms ± 10
Attenuation (dB/100 ft)	1 MHz - 1.2
	4 MHz - 2.4
	8 MHz - 3.5
	12 MHz - 4.1
	24 MHz - 5.8
	48 MHz - 8.2
	96 MHz - 11.6
	200 MHz - 19.5
400 MHz - 35.0	
Skew	100 ps max / 16.4 feet (5 meters)
Velocity of Propagation	70% (nominal)
DWV	1000V RMS
Temperature Rating	FEP: -65° to +200° C Polyurethane: -30° to +105° C
Weight	2.9 lbs/100 ft

Construction Details		
Data Pair	Conductor	2x 26 AWG (19/38) silver plated copper alloy (.019" OD)
	Insulation	FEP (.035")
	Colors	Green and white
	Shield Coverage	Silver plated copper, 38 AWG, 95% minimum
Power Pair	Conductor	2x 22 AWG (19/34) silver plated copper alloy (.030" OD)
	Insulation	FEP (.050")
	Colors	Red and black
Drain Wire	Conductor	26 AWG (19/38) silver plated copper alloy (.019" OD)
Filler		PTFE rod, optional
Overall Shield Coverage		Silver plated copper, 38 AWG, 95% minimum (.176" nominal OD)
Jacket Diameter		.200" nominal

#### NOTES

- Cable identified with manufacturer's name and part number.
- Cable is sold in 1 foot increments. Specify desired length on purchase order.

Dimensions in Inches (millimeters) are subject to change without notice.

**963-012: USB 3.0 cable with polyurethane jacket**


Construction Details			
1	2x Data Pair 90 Ohms (Twisted, Shielded)	Conductors	2x 26 AWG (19/38) silver plated copper
		Insulation	FEP
		Colors	<b>Pair 1:</b> Violet and orange <b>Pair 2:</b> Blue and yellow
		Drain	26 AWG (19/38) silver plated copper
		Shield	Al/Polyester, 50% lap (foil side in)
2	Data Pair 90 Ohms (Twisted)	Conductors	2x 26 AWG (19/38) silver plated copper
		Insulation	FEP
		Colors	Green and white
3	Power Pair	Conductors	2x 24 AWG (19/36) silver plated copper
		Insulation	FEP
		Colors	Black and red
4	Mylar Tape	50% Min Overlap	
5	Overall Shield	36 AWG silver plated copper braid. 90% coverage minimum	
6	Overall Jacket	Polyurethane, Ø .272 In nominal, black	

Properties		
Impedance	90 Ohms ± 10	
Attenuation (nominal)	f (GHz)	IL (dB/m)
	1.25	-1.5
	2.5	-2.6
	5	-3.8
	7.5	-4.6
Velocity of Propagation	69%	
DWV	300VAC	
Temperature Rating	-30C to +105C	
Weight	47.8 lb/1000 ft	

**NOTES**

- Cable identified with manufacturer's name and part number.
- Cable is sold in 1 foot increments. Specify desired length on purchase order.

Dimensions in Inches (millimeters) are subject to change without notice.

# IEEE 1394 (Firewire) 963-006 Ordering Information

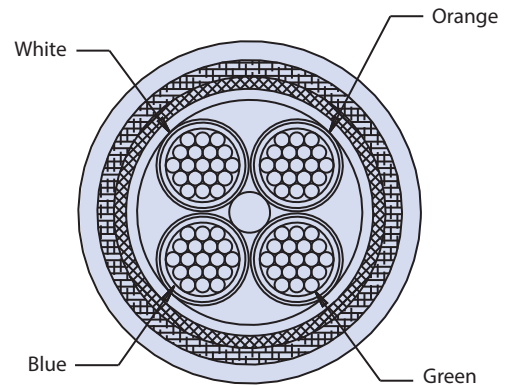


## 963-006: 110 ohm quad cable with FEP, polyurethane or no jacket

How To Order		
Sample Part Number	963-006	-2
Series	963-006 = USB 2.0 cable with FEP, polyurethane or no jacket	
Cable Jacket Material	1 - Less Jacket 2 - FEP (translucent blue) 3 - Polyurethane, zero halogen, Estane 58244 TPU or equivalent (black)	

Construction Details	
Conductors	24 AWG (19/36) silver plated copper alloy (.0235" OD)
Insulation	Foam FEP, .054" OD
Filler	FEP .022" nominal OD
Overall Binder	PTFE tape wrap
Overall Shield #1	40 AWG silver plated copper braid
Overall Shield #2	38 AWG silver plated copper braid
Jacket Diameter	.190" nominal, .200" max

Properties	
Impedance	110 Ohms ± 6 (measured differentially)
Attenuation (dB/100 ft)	10 MHz - 2.9
	100 MHz - 7.5
	500 MHz - 15.0
	1 GHz - 22.5
Skew	2.0 PS/ft typical, 3.5 PS/ft Max (within pair)
Velocity of Propagation	80% (nominal)
Capacitance	12.5 PF/ft nominal (between pairs, ground floating)
DWV	1500V RMS conductor/conductor
	1000V RMS conductor/shield
Temperature Rating	FEP: -65° to +200° C
	Polyurethane: -30° to +105° C
Weight	3.5 lbs/100 ft



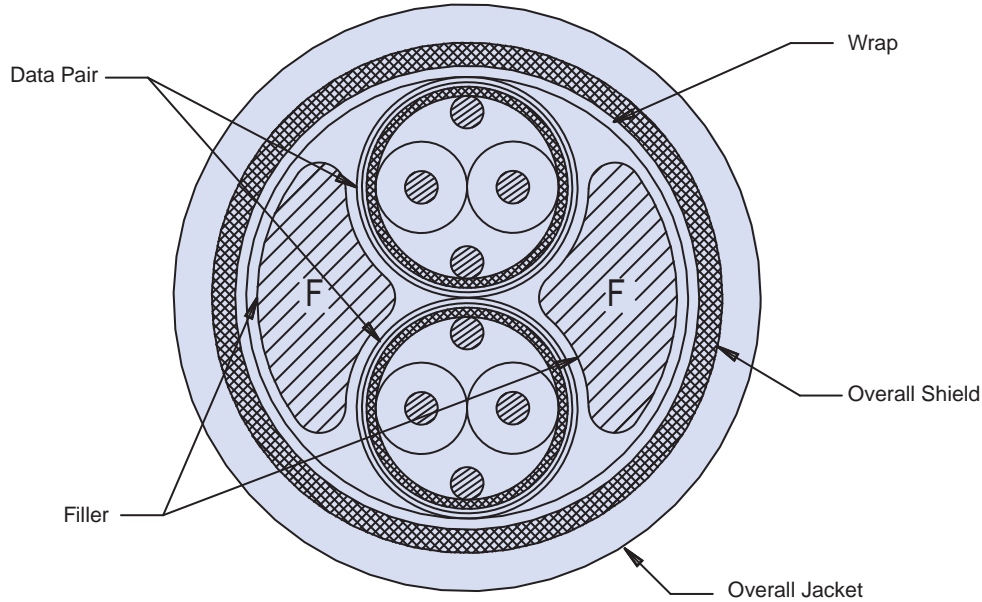
### NOTES

- Cable identified with manufacturer's name and part number.
- Cable is sold in 1 foot increments. Specify desired length on purchase order.

Dimensions in Inches (millimeters) are subject to change without notice.



### 963-013: 100 ohm SATA/eSATA cable with polyurethane jacket



Construction Details	
Conductors	2x 28 AWG (7/36) silver plated copper
Insulation	.0115" NEWcel to .038" ± .002"
Drain Wire	2x 28 AWG (7/36) silver plated copper
Braid	44 AWG silver plated copper, 90% coverage minimum
Tape	.0015 Al/polyester, 50% lap (foil side in)
Jacket	.005" PFA to .099" ± .005
Wire Colors	white and blue (pair 1) white and orange (pair 2)
Filler	LSNW polyester
Wrap	.002" PTFE tape, 50% lap
Overall Shield	35 AWG tin copper braid, 90% coverage minimum
Overall Jacket	.035" polyurethane, .299" OD nominal, (black)
Marking	print on outer jacket in white ink

#### NOTES

- Cable identified with manufacturer's name and part number.
- Cable is sold in 1 foot increments. Specify desired length on purchase order.

Dimensions in Inches (millimeters) are subject to change without notice.

# Series 80 Mighty Mouse Fiber Optic General Information



Fiber Optic  
Mighty Mouse

## PRODUCT SELECTION GUIDE



**Series 80 Mighty Mouse  
Size 23, 20 and 16 Fiber Optic Contact Arrangements**

Page W-2



**Series 80 Mighty Mouse Size 23, 20 and 16 Fiber Optic Termini**

Page W-4



**Series 801 Mighty Mouse Plug Connectors**

Page W-11



**Series 801 Mighty Mouse Receptacle Connectors**

Page W-13



**Series 802 Mighty Mouse Plug Connectors**

Page W-18



**Series 802 Mighty Mouse Receptacle Connectors**

Page W-20



**Series 805 Mighty Mouse Plug Connectors**

Page W-24



**Series 805 Mighty Mouse Receptacle Connectors**




Page W-26

Dimensions in Inches (millimeters) are subject to change without notice.



## Series 80 Mighty Mouse Fiber Optic Termini Contact Arrangements

W

Series 80 Mighty Mouse Contact Arrangements							
Contact Size		Contact Quantity			Shell Size - Arrangement		
		#23	#20HD	#16	Series 801	Series 802	Series 805
Size #23 Fiber Optic Termini		3			5-3	5-3	N/A
		4			6-4	6-4	8-4
		6			6-6	6-6	8-6
		7			6-7	6-7	8-7
		10			7-10	7-10	9-10
		13			8-13	8-13	10-13
		19			9-19	9-19	11-19
		26			10-26	10-26	12-26
		31			11-31	11-31	13-31
		37			13-37	12-37	15-37
		55			16-55	14-55	18-55
		85			17-85	15-85	19-85
		100			19-100	19-100	21-100
Size #20HD Fiber Optic Termini			3		6-23	6-23	8-23
			5		7-25	7-25	9-25
			8		8-28	8-28	10-28
			10		9-210	9-210	11-210
			20		13-220	12-220	15-220
			35		16-235	14-235	18-235
			41		17-241	15-241	19-241
			55		19-255	19-255	21-255
			69		21-269	21-269	23-269
Size #16 Fiber Optic Termini				1	6-1	6-1	8-1
				2	8-2	8-2	10-2
				4	9-4	9-4	11-4
				5	10-5	10-5	12-5
				7	13-7	12-7	15-7
				12	16-12	14-12	18-12
				14	17-14	15-14	19-14
				19	19-19	19-19	21-19
				22	21-22	21-22	23-22
Combo Arrangements							
Size #23 and #16 Fiber Optic Termini		4		2	9-200	9-200	11-200
		8		2	10-202	10-202	12-202
		20		2	13-202	12-202	15-202
		12		4	13-203	12-203	15-203
		40		2	16-204	14-204	18-204
		32		4	16-205	14-205	18-205
		40		4	17-203	15-203	19-203

Dimensions in Inches (millimeters) are subject to change without notice.

# Series 80 Mighty Mouse Size #23 Fiber Optic Termini Contact Arrangements



Series 80 Insert Arrangements for use with 23 Fiber Optic Termini					
Series 801	5-3	6-4	6-6	6-7	7-10
Series 802	5-3	6-4	6-6	6-7	7-10
Series 805	N/A	8-4	8-6	8-7	9-10
Series 801	8-13	9-19	9-200	10-26	10-202
Series 802	8-13	9-19	9-200	10-26	10-202
Series 805	10-13	11-19	11-200	12-26	12-202
Series 801	11-31	13-37	13-202	13-203	16-55
Series 802	11-31	12-37	12-202	12-203	14-55
Series 805	13-31	15-37	15-202	15-203	18-55
Series 801	16-204	16-205	17-85	19-100	21-130
Series 802	14-204	14-204	15-85	19-100	21-130
Series 805	18-204	18-205	19-85	21-100	23-130
See Series 80 Mighty Mouse catalog for connector ordering information. Order connectors less contacts and order fiber optic termini separately. Cavity numbers are mating face view of pin connectors.					



Dimensions in Inches (millimeters) are subject to change without notice.



## Series 80 Mighty Mouse Size #23 Fiber Optic Termini General Information



Series 801 Plug with  
181-063 pin termini



Series 801 Receptacle with  
181-064 socket termini

- Single and Multi Mode
- Snap-in, Rear Release
- 0.5 dB Typical Attenuation
- 3 to 130 Channels

W

## Reduce size and weight with Series 80 Mighty Mouse fiber optic connectors

New size 23 fiber optic termini can be used in any standard Mighty Mouse connector but perform best in our Series 801, 804 and 805 systems. Available for single mode or multi mode fiber, these termini have low insertion loss and are intended for high-reliability aerospace applications. Series 80 connectors offer substantial reductions in size and weight compared to our D38999 type fiber optic connectors. Complete how to order instructions are included on the following pages. When ordering termini (sold separately), please refer to the insert arrangement tables for count and size.

*The Series 801 plug is less than half the size of our D38999 Series III type connector.*



**Series 801**  
Shell size 6, 4 channel  
5 Grams  
(less contacts)

**D38999 Series III**  
Shell size 13, 4 channel  
21 Grams  
(less contacts)

Dimensions in Inches (millimeters) are subject to change without notice.

# Series 80 Mighty Mouse Contacts and Tools

Size #23 Fiber Optic Termini 181-063 and 181-064



Fiber Optic  
Mighty Mouse



## Size 23 fiber optic termini



181-063 Pin Terminus

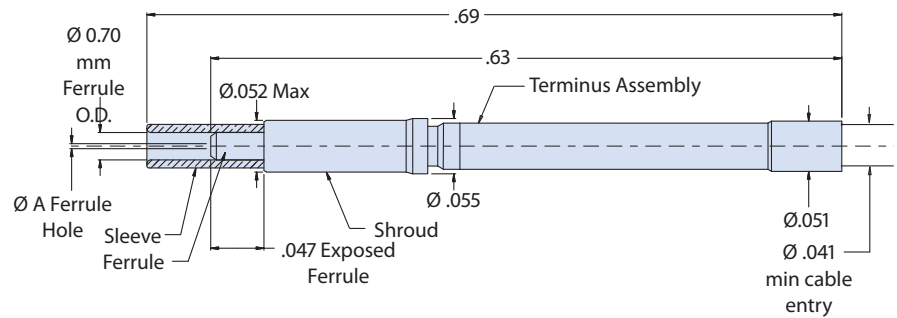
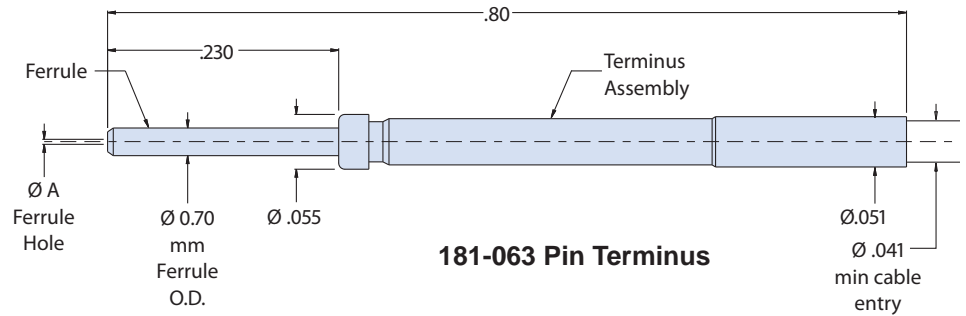


181-064 Socket Terminus

Size 23 fiber optic termini are compatible with all Series 80 Mighty Mouse threaded connectors with size 23 cavities. Typical insertion loss 0.5 dB. Fits 50/125 and 62.5/125 multi mode and 9/125 single mode fiber.

Termini Type	Optical Fiber Type	Part Number	ØA Ferrule Hole*	Fiber Size Core/Cladding
Pin	Single Mode	<a href="#">181-063-1255</a>	125.5 microns	9/125
	Multi Mode	<a href="#">181-063-126</a>	126.0 microns	50/125, 62.5/125
Socket	Single Mode	<a href="#">181-064-1255</a>	125.5 microns	9/125
	Multi Mode	<a href="#">181-064-126</a>	126.0 microns	50/125, 62.5/125

\*Consult factory for additional sizes



### Materials and Finishes

#### 181-063:

- Ferrule: zirconia ceramic
- Terminus assembly: copper-nickel-zinc

#### 181-064:

- Ferrule, terminus assembly: copper-nickel-zinc
- Spring (not shown): stainless steel/passivate
- Sleeve: phosphor bronze
- Insertion/extraction Tool
- Standard size 23 plastic tool
- Glenair Part Number 809-088

### Application Notes

1. Alignment sleeve is supplied with terminus assembly and may be ordered separately (see Table II).
2. For grommet sealing plug, see Glenair part number 809-155
3. Consult factory for termination and assembly procedures/tools.

**Table II: Accessories**

181-064-K	Alignment Sleeve
-----------	------------------

**Table I: Performance Specifications**

Optical Insertion Loss	0.5 dB typical
Operating Temperature	-65°C to +150°C/Connector -65°C to +200°C/Termini*
Temperature (Thermal) Shock	TIA/EIA-455-71, Schedule C, 10 cycles -55°C to +85°C (Per MIL-DTL-83526C)
Mechanical Shock	TIA/EIA-455-11, Test Condition III at 9 Gs, 0.06 PSD and Test Condition VI, Test Letter C for 1.5 hours per axis (three axes) (Per MIL-DTL-83526C)
Mating Durability	TIA/EIA-455-21, 500 cycles (Per MIL-PRF-29504B)

\*Depending on cable and epoxy used.

Dimensions in Inches (millimeters) are subject to change without notice.

W



## Series 80 Mighty Mouse Size #20HD Fiber Optic Termini General Information



**Series 801 Receptacle  
with 181-084 pin termini**



**Series 801 Plug  
with 181-085 socket termini**

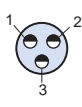
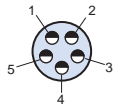
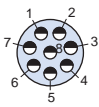
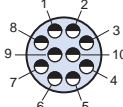
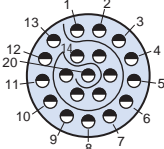
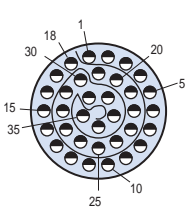
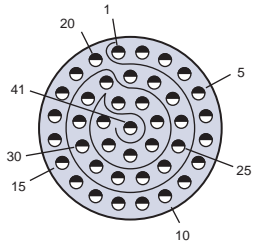
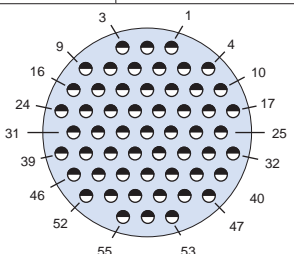
- **Single Mode and Multi Mode**
- **Snap-in, Rear Release**
- **Precision Ceramic Ferrules**
- **0.5 dB Typical Attenuation**
- **3 to 69 Channels**

**W**

### Reduce size and weight with Series 80 Mighty Mouse fiber optic connectors

New size 20HD fiber optic termini can be used in any standard Mighty Mouse connector but perform best in our Series 801, 804 and 805 systems. Available for single mode or multi mode fiber, these termini have low insertion loss and are intended for high-reliability aerospace applications. Series 80 connectors offer substantial reductions in size and weight compared to our D38999 type fiber optic connectors. Complete how to order instructions are included on the following pages. When ordering termini (sold separately), please refer to the insert arrangement tables for count and size.

**Series 80 Insert Arrangements for use with #20HD Fiber Optic termini**

					
Series 801	6-23	7-25	8-28	9-210	13-220
Series 802	6-23	7-25	8-28	9-210	12-220
Series 805	8-23	9-25	10-28	11-210	15-220
					
Series 801	16-235	17-241		19-255	
Series 802	14-235	15-241		19-255	
Series 805	18-235	19-241		21-255	

*See Series 80 Mighty Mouse catalog for connector ordering information. Order connectors less contacts and order fiber optic termini separately. Cavity numbers are mating face view of pin connectors.*

Dimensions in Inches (millimeters) are subject to change without notice.

# Series 80 Mighty Mouse Contacts and Tools

Size #20HD Fiber Optic Termini 181-084 and 181-085



Fiber Optic  
Mighty Mouse



## Size 20HD fiber optic termini



181-084 Pin Terminus



181-085 Socket Terminus

Size 20HD fiber optic termini are compatible with all Series 80 Mighty Mouse threaded coupling connectors with size 20HD cavities. These snap-in, rear-release termini feature precision ceramic ferrules and sleeves for accurate fiber alignment. Typical insertion loss 0.5 dB. Fits 50/125 and 62.5/125 multi mode and 9/125 single mode fiber.

Termini Type	Optical Fiber Type	Part Number	ØA Ferrule Hole*	Fiber Size Core/Cladding
Pin	Single Mode	<a href="#">181-084-1255</a>	125.5 microns	9/125
	Multi Mode	<a href="#">181-084-126</a>	126.0 microns	50/125, 62.5/125
Socket	Single Mode	<a href="#">181-085-1255</a>	125.5 microns	9/125
	Multi Mode	<a href="#">181-085-126</a>	126.0 microns	50/125, 62.5/125

\*Consult factory for additional sizes

### NOTES

#### Materials and Finishes

#### 181-084 :

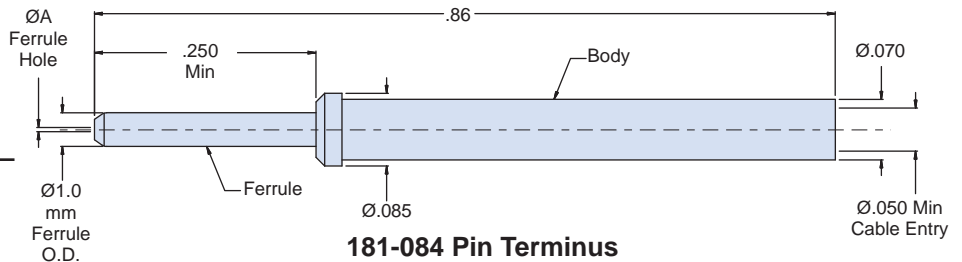
- Ferrule: zirconia ceramic
- Body: copper-nickel-zinc alloy

#### 181-085:

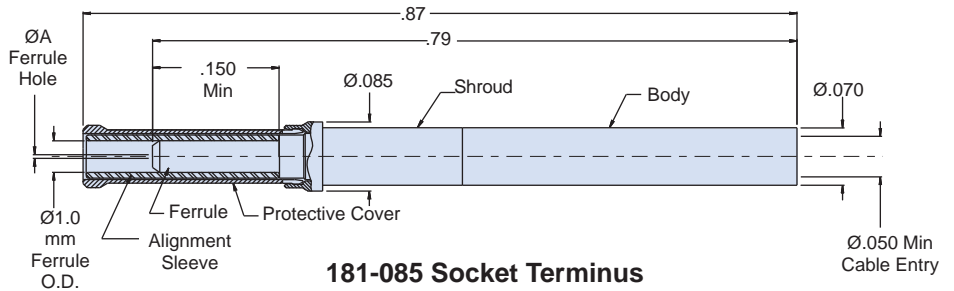
- Ferrule, alignment sleeve: zirconia ceramic
- Body, shroud: copper-nickel-zinc alloy
- Spring (not shown): stainless steel/passivate
- Protective cover: spring alloy/nickel
- Insertion/extraction Tool
- Standard size 20HD plastic tool
- Glenair Part Number [859-017](#)
- Military Part Number M81969/39-01

#### Application Notes

- Alignment sleeve and protective cover are supplied with socket terminus assembly, and may be ordered separately (see accessories table).
- For grommet sealing plug, see Glenair part number 859-012
- Consult factory for termination and assembly procedures/tools.



181-084 Pin Terminus



181-085 Socket Terminus

Table I: Performance Specifications

Optical Insertion Loss	0.5 dB typical
Operating Temperature	-65°C to +150°C/Connector -65°C to +200°C/Termini*
Temperature (Thermal) Shock	-55°C to +85°C, 10 cycles, per TIA/EIA-455-71, Test Schedule C. 0.5 dB max IL before test. 0.5 dB max CIT during and after test.
Temperature Cycling	-55°C to +85°C, 5 cycles, per TIA/EIA-455-3, Test Condition A. 0.5 dB max IL before test. 0.5 dB max CIT during and after test.
Mating Durability	500 cycles, per TIA/EIA-455-21. 0.5 dB max IL before test. 0.5 dB max CIT during and after test.
Vibration - Random	49.5 G RMS, 24-2000 Hz, 8 hours per Axis (longitudinal and perpendicular) at Ambient Temperature, per EIA-364-28, Test Condition V. 0.5 dB max IL before test. 0.5 dB max CIT after test. Discontinuity of 0.5 dB max for 50 microseconds.
Mechanical Shock (Half-sine Pulse)	300 G Peak, 6 Shocks per Axis, per TIA-455-14, Test Condition D. 0.5 dB max IL before test. 0.5 dB max CIT after test. Discontinuity of 0.5 dB max for 50 microseconds.

\*Depending on cable and epoxy used.

Table II: Accessories

181-085-S	Ceramic Alignment Sleeve
181-085-C	Protective Cover

Dimensions in Inches (millimeters) are subject to change without notice.





## Series 80 Mighty Mouse Size #16 Fiber Optic Termini Contact Arrangements

Series 80 Insert Arrangements for use with #16 Fiber Optic termini					
Series 801	6-1	8-2	9-4	9-200	10-5
Series 802	6-1	8-2	9-4	9-200	10-5
Series 805	8-1	10-2	11-4	11-200	12-5
Series 801	10-202	12-7	13-202	13-203	16-12
Series 802	10-202	13-7	12-202	12-203	14-12
Series 805	12-202	15-7	15-202	15-203	18-12
Series 801	16-204	16-205	17-14	17-203	19-19
Series 802	14-204	14-204	15-14	15-203	19-19
Series 805	18-204	18-205	19-14	19-203	21-13
Series 801	21-22				
Series 802	21-22				
Series 805	23-22				

*See Series 80 Mighty Mouse catalog for connector ordering information. Order connectors less contacts and order fiber optic termini separately. Cavity numbers are mating face view of pin connectors.*

Dimensions in Inches (millimeters) are subject to change without notice.

# Series 80 Mighty Mouse Size #16 Fiber Optic Termini General Information



Series 801 Plug with  
181-057 pin terminus



Series 801 receptacle with  
181-075 socket terminus

- Single Mode and Multi Mode
- Snap-in, Rear Release
- Precision Ceramic Ferrules
- 0.5 dB Typical Attenuation
- 1 to 22 Channels

W

## Reduce size and weight with Series 80 Mighty Mouse fiber optic connectors

New size 16 fiber optic termini can be used in any standard Mighty Mouse connector but perform best in our Series 801, 804 and 805 systems. Available for single mode or multi mode fiber, these termini have low insertion loss and are intended for high-reliability aerospace applications. Series 80 connectors offer substantial reductions in size and weight compared to our D38999 type fiber optic connectors. Complete how to order instructions are included on the following pages. When ordering termini (sold separately), please refer to the insert arrangement tables for count and size.

*The Series 801 9-4 receptacle is less than half the size of our D38999 type connector.*



**Series 801**  
**6 Grams**  
(less contacts)



**D38999 Series III**  
**27 Grams**  
(less contacts)

Dimensions in Inches (millimeters) are subject to change without notice.



# Series 80 Mighty Mouse Contacts and Tools

## Size #16 Fiber Optic Termini 181-057 and 181-075

**Mighty  
Mouse**

### Size 16 fiber optic termini

Size 16 fiber optic termini are compatible with all Series 80 Mighty Mouse threaded coupling connectors with size 16 cavities. These snap-in, rear-release termini feature precision ceramic ferrules and sleeves for accurate fiber alignment. Typical insertion loss 0.5 dB. Fits 50/125 and 62.5/125 multi mode and 9/125 single mode fiber.



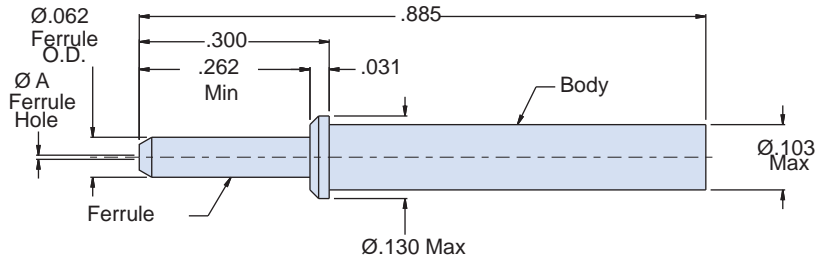
181-057 Pin Terminus



181-075 Socket Terminus

Termini Type	Optical Fiber Type	Part Number	A Ferrule I.D.
Pin	Single Mode	<a href="#">181-057-125</a>	125.5 microns
	Multi Mode	<a href="#">181-057-126</a>	126.0 microns
Socket	Single Mode	<a href="#">181-075-125</a>	125.5 microns
	Multi Mode	<a href="#">181-075-126</a>	126.0 microns

\*Consult factory for additional sizes



**181-057 Pin Terminus**

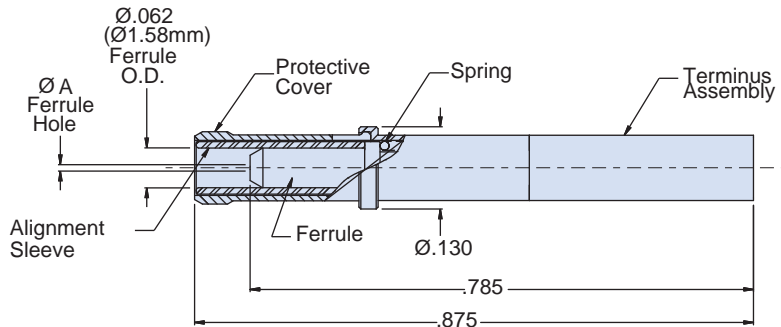
### MATERIALS AND FINISHES

#### 181-057 :

- Ferrule: zirconia ceramic
- Body: stainless steel, passivated

#### 181-075:

- Ferrule, alignment sleeve: zirconia ceramic
- Terminus assembly: stainless steel/passivate
- Spring: stainless steel/passivate
- Protective cover: spring alloy/nickel
- Insertion/extraction Tool
- Standard size 16 plastic tool
- Glenair Part Number [809-131](#)
- Military Part Number M81969/14-03
- Consult factory for termination and assembly procedures/tools.



**181-075 Socket Terminus**

Table II: Accessories	
181-001-S	Ceramic Alignment Sleeve
181-075-C	Protective Cover

Table I: Performance Specifications	
Optical Insertion Loss	0.5 dB typical
Operating Temperature	-65°C to +150°C/Connector -65°C to +200°C/Termini*
Mating Durability	TIA/EIA-455-21, 500 cycles (Per MIL-PRF-29504B)
*Depending on cable and epoxy used.	

Dimensions in Inches (millimeters) are subject to change without notice.

# Series 801 Mighty Mouse Double-Start ACME Threads Plug 801-007 and 801-008 Ordering Information



Series 801 Plug Connector

Glenair's Series 801 Mighty Mouse connector features a double-start modified stub ACME mating thread for improved protection against cross-mating and thread damage. Connector shells are machined aluminum or stainless steel, and are designed to accommodate (depending on insert arrangement) Glenair size 16, 20HD, or 23 fiber optic termini (termini sold separately.) Metal clips inside the connector body lock the termini into place. Termini are removable. Fluorosilicone seals and rear grommet protect the connector from water ingress. Choose hex or knurled coupling nut. Terminate cable shield directly to connector body with Band-Master™ strap, or choose rear accessory thread to attach optional backshell. Available in shell sizes 5 through 21 in 30 insert arrangements.

How To Order						
<b>Sample Part Number</b>	<b>801-007</b>	<b>-16</b>	<b>M</b>	<b>7-10</b>	<b>A</b>	<b>A</b>
<b>Series (See Table I)</b>	<b>801-007</b> = With Banding Platform <b>801-008</b> = With Rear Accessory Thread					
<b>Shell Style</b>	<b>-16</b> = Plug with Anti-Decoupling Spring <b>-26</b> = Self-Locking Plug with Ratchet Mechanism (the "Clicker")					
<b>Shell Material and Finish</b>	<b>C</b> = Aluminum / Black Anodize (Non-Conductive) RoHS Compliant <b>M</b> = Aluminum / Electroless Nickel RoHS Compliant <b>NF</b> = Aluminum / Cadmium with Olive Drab Chromate <b>ZN</b> = Aluminum / Zinc-Nickel with Olive Drab Chromate <b>ZNU</b> = Aluminum / Zinc-Nickel with Black Chromate <b>MT</b> = Aluminum / Nickel-PTFE RoHS Compliant <b>Z1</b> = Stainless Steel / Passivated RoHS Compliant					
<b>Shell Size - Insert Arrangement</b>	See Insert Arrangements page W-3, W-6, W-8					
<b>Contact Type</b>	<b>Connector supplied without termini. Please indicate pin or socket.</b> <b>A</b> = Pin Connector, Less Termini <b>B</b> = Socket Connector, Less Termini					
<b>Shell Key Positions (See Table II)</b>	<b>A</b> = Normal <b>B</b> = Pos. B <b>C</b> = Pos. C <b>D</b> = Pos. D <b>E</b> = Pos. F <b>F</b> = Pos. F					



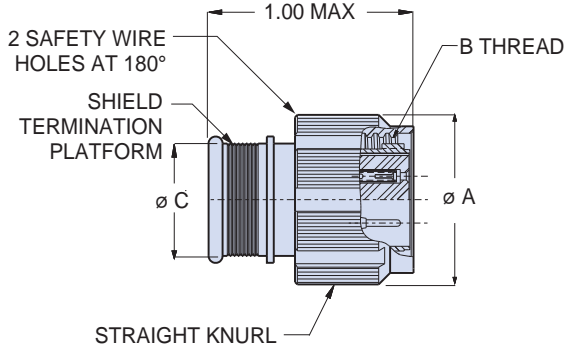
Table I: Series	
<b>801-007</b> Banding Platform	<b>801-008</b> Rear Accessory Thread

Table II: Key Positions			
	A°	B°	
<b>A</b>	150°	210°	
<b>B</b>	75°	210°	
<b>C</b>	95°	230°	
<b>D</b>	140°	275°	
<b>F</b>	95°	210°	

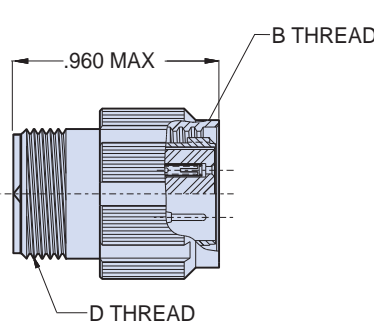
Dimensions in Inches (millimeters) are subject to change without notice.



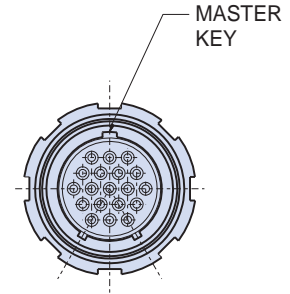
## Series 801 Mighty Mouse Double-Start ACME Threads Plug 801-007 and 801-008 Dimensions



**Integral Band Platform**  
**801-007**



**Accessory Thread**  
**801-008**



MASTER  
KEY

\* For all size #8 arrangements, add .320" to overall length. For -26 add .127 (3.23)

Dimensions									
Shell Size	Ø A Style 16		Ø A Style 26		B Thread	Ø C		D Thread	
	In.	mm.	In.	mm.		In.	mm.		
5	0.54	13.72	0.65	16.51	.3125-.05P-.1L-DS-2B	.245	6.22	.2500-32 UNEF-2A	
6	0.60	15.24	0.69	17.53	.3750-.05P-.1L-DS-2B	.290	7.37	.3125-32 UNEF-2A	
7	0.69	17.53	0.79	20.07	.4375-.05P-.1L-DS-2B	.390	9.91	.4375-28 UNEF-2A	
8	0.75	19.05	0.83	21.08	.5000-.05P-.1L-DS-2B	.445	11.30	.5000-28 UNEF-2A	
9	0.81	20.57	0.92	23.37	.5625-.05P-.1L-DS-2B	.500	12.70	.5625-24 UNEF-2A	
10	0.88	22.35	0.98	24.89	.6250-.05P-.1L-DS-2B	.560	14.22	.6250-24 UNEF-2A	
11	0.92	23.37	1.02	25.91	.6875-.05P-.1L-DS-2B	.605	15.37	.6875-24 UNEF-2A	
13	1.05	26.67	1.10	27.94	.8125-.1P-.2L-DS-2B	.650	16.51	.6875-24 UNEF-2A	
16	1.24	31.50	1.34	34.04	1.0000-.1P-.2L-DS-2B	.805	20.45	.9375-24 UNEF-2A	
17	1.30	33.02	1.45	36.83	1.0625-.1P-.2L-DS-2B	.850	21.59	.9375-24 UNEF-2A	
19	1.40	35.56	1.50	38.10	1.1875-.1P-.2L-DS-2B	1.003	25.48	1.0625-24 UNEF-2A	
21	1.55	39.37	1.65	41.91	1.3125-.1P-.2L-DS-2B	1.110	28.19	1.1875-24 UNEF-2A	

Dimensions in Inches (millimeters) are subject to change without notice.

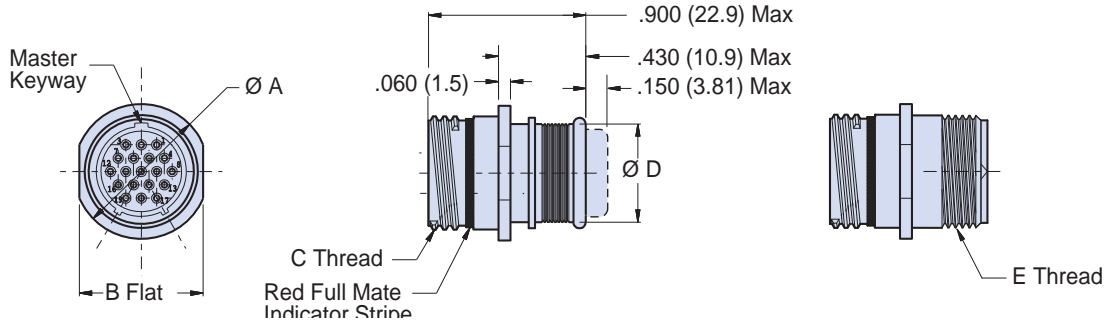




# Series 801 Mighty Mouse Double-Start ACME Threads In-Line Receptacle

801-009-01 and 801-010-01 - Dimensions

## In-line receptacle- shell style 01



### Integral Band Platform

801-009-01

### Accessory Thread

801-010-01

Dimensions								
Shell Size	Ø A		B Flat		C Thread	Ø D		E Thread UNEF-2A
	In.	mm.	In.	mm.		In.	mm.	
5	.355	9.02	.325	8.13	.3125-.05P-.1L-DS-2A	.245	6.22	.2500-32
6	.415	10.54	.385	9.78	.3750-.05P-.1L-DS-2A	.290	7.37	.3125-32
7	.480	12.19	.445	11.30	.4375-.05P-.1L-DS-2A	.390	9.91	.4375-28
8	.540	13.72	.510	12.95	.5000-.05P-.1L-DS-2A	.445	11.30	.5000-28
9	.605	15.37	.575	14.61	.5625-.05P-.1L-DS-2A	.500	12.70	.5625-24
10	.665	16.89	.635	16.13	.6250-.05P-.1L-DS-2A	.560	14.22	.6250-24
11	.730	18.54	.700	17.78	.6875-.05P-.1L-DS-2A	.605	15.37	.6875-24
13	.855	21.72	.825	20.96	.8125-.1P-.2L-DS-2A	.650	16.51	.6875-24
16	1.040	26.42	1.010	25.65	1.0000-.1P-.2L-DS-2A	.805	20.45	.9375-20
17	1.110	28.19	1.070	27.18	1.0625-.1P-.2L-DS-2A	.850	21.59	.9375-20
19	1.243	31.57	1.191	30.25	1.1875-.1P-.2L-DS-2A	1.003	25.48	1.0625-18
21	1.375	34.93	1.312	33.32	1.3125-.1P-.2L-DS-2A	1.110	28.19	1.1875-18

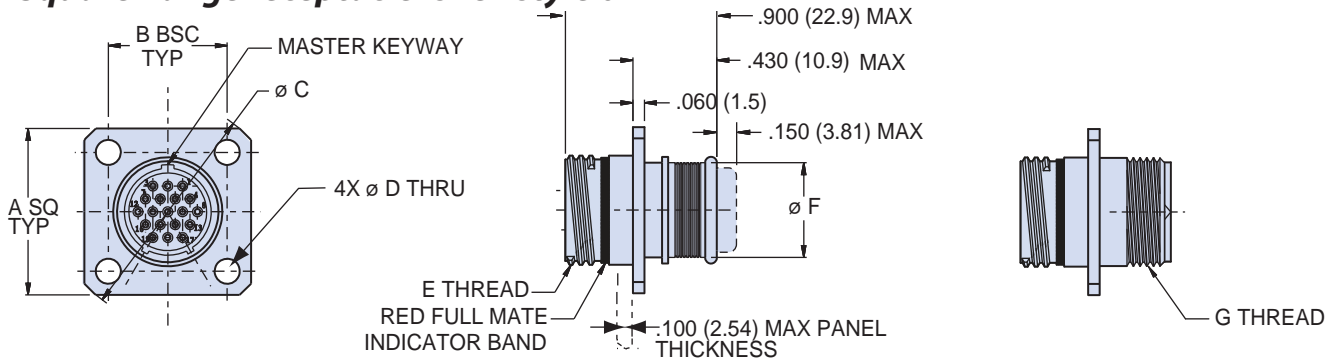
Dimensions in Inches (millimeters) are subject to change without notice.

# Series 801 Mighty Mouse Double-Start ACME Threads Square Flange Receptacle

## 801-009-02 and 801-010-02 - Dimensions



### Square flange receptacle- shell style 02



#### Integral Band Platform

801-009-02

#### Accessory Thread

801-010-02

Shell Size	Dimensions													
	A SQ		B BSC		$\phi C$		$\phi D$		E Thread	$\phi F$		G Thread UNEF-2A		
	In.	mm.	In.	mm.	In.	mm.	In.	mm.		In.	mm.			
5	.530	13.46	.363	9.22	.680	17.27	.096	2.44	.3125-.05P-.1L-DS-2A	.245	6.22	.2500-32		
6	.590	14.99	.423	10.74	.750	19.05			.3750-.05P-.1L-DS-2A	.290	7.37	.3125-32		
7	.650	16.51	.483	12.27	.850	21.59			.4375-.05P-.1L-DS-2A	.390	9.91	.4375-28		
8	.712	18.08	.545	13.84	.938	23.83			.5000-.05P-.1L-DS-2A	.445	11.30	.5000-28		
9	.850	21.59	.607	15.42	1.125	28.58	.130	3.30	.5625-.05P-.1L-DS-2A	.500	12.70	.5625-24		
10	.890	22.61	.670	17.02	1.188	30.18			.6250-.05P-.1L-DS-2A	.560	14.22	.6250-24		
11	.935	23.75	.715	18.16	1.250	31.75			.6875-.05P-.1L-DS-2A	.605	15.37	.6875-24		
13	1.030	26.16	.812	20.62	1.375	34.93			.8125-.1P-.2L-DS-2A	.650	16.51	.6875-24		
16	1.219	30.96	.981	24.92	1.625	41.28			1.0000-.1P-.2L-DS-2A	.805	20.45	.9375-20		
17	1.280	32.51	1.060	26.92	1.700	43.18			1.0625-.1P-.2L-DS-2A	.850	21.59	.9375-20		
19	1.432	36.37	1.191	30.25	1.900	48.26			1.1875-.1P-.2L-DS-2A	1.003	25.48	1.0625-18		
21	1.565	39.75	1.322	33.58	2.100	53.34			1.3125-.1P-.2L-DS-2A	1.110	28.19	1.1875-18		
									.126	3.20				

Series 801 Panel Cutout								
Shell Size	$\phi A$		B BSC		$\phi C$			
	In.	mm.	In.	mm.	In.	mm.		
5	.328	8.33	.363	9.22	.096	2.44		
6	.390	9.91	.423	10.74				
7	.453	11.51	.483	12.27				
8	.515	13.08	.545	13.84				
9	.578	14.68	.607	15.42	.130	3.30		
10	.640	16.26	.670	17.02				
11	.703	17.86	.715	18.16				
13	.828	21.03	.812	20.62			.126	3.20
16	1.015	25.78	.981	24.92				
17	1.078	27.38	1.060	26.92				
19	1.203	30.56	1.191	30.25				
21	1.328	33.73	1.322	33.58				

Dimensions in Inches (millimeters) are subject to change without notice.



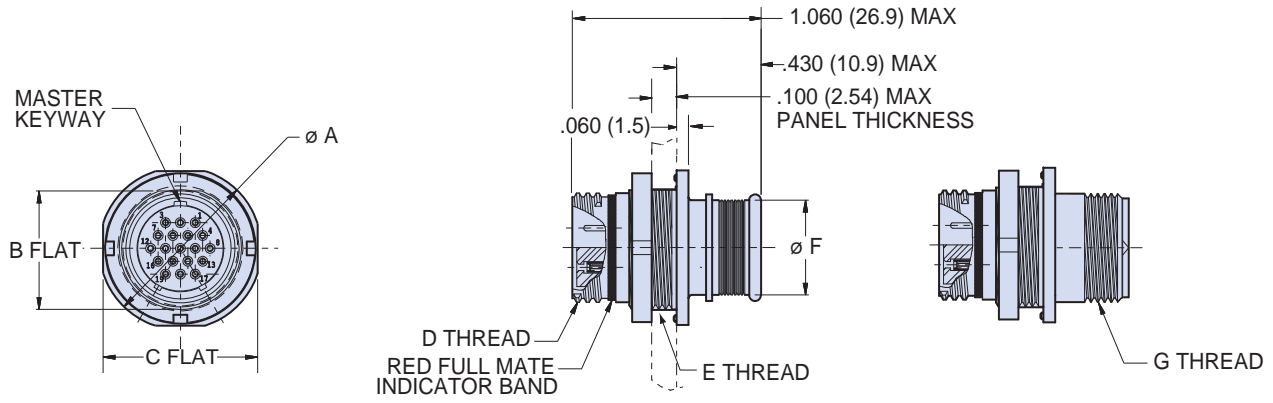




# Series 801 Mighty Mouse Double-Start ACME Threads Jam Nut Receptacle

801-009-07 and 801-010-07 - Dimensions

## Jam nut, rear panel mount receptacle - shell style 07



**Integral Band Platform**

**801-009-07**

**Accessory Thread**

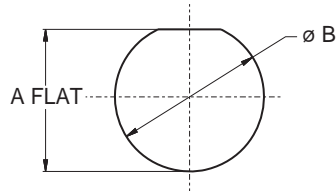
**801-010-07**

**Dimensions**

Shell Size	Ø A		B Flat		C Flat		D Thread	E Thread UN-2A	Ø F		G Thread UN-2A
	In.	mm.	In.	mm.	In.	mm.			In.	mm.	
5	.575	14.61	.350	8.89	.545	13.84	.3125-.05P-.1L-2A	.375-28	.245	6.22	.250-32
6	.635	16.13	.410	10.41	.595	15.11	.375-.05P-.1L-2A	.4375-28	.290	7.37	.3125-32
7	.755	19.18	.536	13.61	.723	18.36	.4375-.05P-1L2A	.5625-32	.390	9.91	.4375-28
8	.755	19.18	.536	13.61	.723	18.36	.5000-.05P-.1L-2A	.5625-32	.445	11.30	.5000-28
9	.830	21.08	.596	15.14	.790	20.07	.5625-.05P-.1L-2A	.625-28	.500	12.70	.5625-24
10	.890	22.61	.658	16.71	.855	21.72	.6250-.05P-.1L-2A	.6875-28	.560	14.22	.6250-24
11	.960	24.38	.718	18.24	.925	23.50	.6875-.05P-.1L-2A	.7500-28	.605	15.37	.6875-24
13	1.078	27.38	.845	21.46	1.044	26.52	.8125-1P-2L-2A	.875-28	.650	16.51	.6875-24
16	1.264	32.11	1.022	25.96	1.230	31.24	1.000-1P-2L-2A	1.0625-20	.805	20.45	.9375-20
17	1.325	33.66	1.096	27.84	1.290	32.77	1.062-1P-2L-2A	1.125-28	.850	21.59	.9375-20
19	1.450	36.83	1.227	31.17	1.415	35.94	1.1875-1P-2L-2A	1.2500-28	1.003	25.48	1.0625-18
21	1.625	41.28	1.347	34.21	1.577	40.06	1.3125-1P-2L-2A	1.375-28	1.110	28.19	1.1875-18

**Series 801 Jam Nut Panel Cutout**

Shell Size	A Flat		Ø B	
	In. ± .002	mm. ± 0.05	In. ± .002	mm. ± 0.05
5	.356	9.04	.385	9.78
6	.416	10.57	.447	11.35
7	.542	13.77	.572	14.53
8	.542	13.77	.572	14.53
9	.602	15.29	.635	16.13
10	.666	16.92	.697	17.70
11	.730	18.54	.760	18.44
13	.851	21.62	.885	22.48
16	1.028	26.11	1.075	27.31
17	1.102	27.99	1.135	28.83
19	1.243	31.57	1.260	32.00
21	1.354	34.39	1.385	35.18



Dimensions in Inches (millimeters) are subject to change without notice.

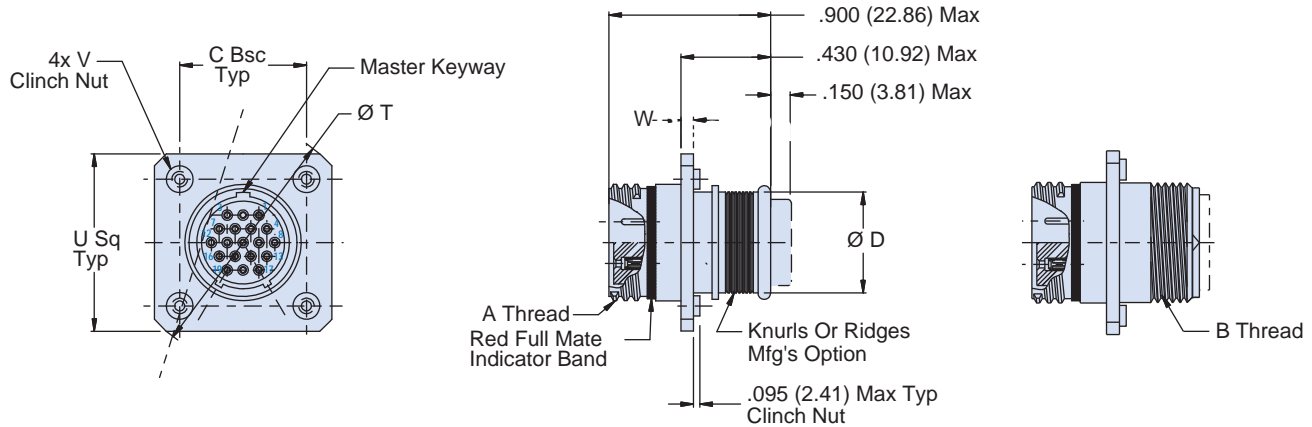
# Series 801 Mighty Mouse Double-Start ACME Threads Square Flange Receptacle

801-009-12 and 801-010-22 - Dimensions



Fiber Optic  
Mighty Mouse

## Rear panel mount receptacle - shell style 12 and 22



**Integral Band Platform**  
801-009-12 and 801-009-22

**Accessory Thread**  
801-010-12 and 801-010-22

Shell Size	Dimensions						
	A Thread	B Thread	C BSC	Ø T	U SQ	V Clinch Nut	W
5	.3125-.05P-.1L-DS-2A	.2500-32 UNEF-2A	0.363	0.774	0.623	2-56	0.030
6	.3750-.05P-.1L-DS-2A	.3125-32 UNEF-2A	0.423	0.860	0.683		
7	.4375-.05P-.1L-DS-2A	.4375-28 UNEF-2A	0.483	0.944	0.743		
8	.5000-.05P-.1L-DS-2A	.5000-28 UNEF-2A	0.545	1.032	0.805		
9	.5625-.05P-.1L-DS-2A	.5625-24 UNEF-2A	0.607	1.180	0.927	4-40	0.060
10	.6250-.05P-.1L-DS-2A	.6250-24 UNEF-2A	0.670	1.268	0.990		
11	.6875-.05P-.1L-DS-2A	.6875-24 UNEF-2A	0.715	1.331	1.035		
13	.8125-.1P-.2L-DS-2A	.6875-24 UNEF-2A	0.812	1.470	1.132		
16	1.0000-.1P-.2L-DS-2A	.9375-20 UNEF-2A	0.981	1.708	1.301		
17	1.0625-.1P-.2L-DS-2A	.9375-20 UNEF-2A	1.060	1.822	1.382		
19	1.1875-.1P-.2L-DS-2A	1.0625-18 UNEF-2A	1.191	2.006	1.511		
21	1.3125-.1P-.2L-DS-2A	1.1875-18 UNEF-2A	1.322	2.190	1.642		

Series 801 Front and Rear Mount Panel Cutout			
Ø R	G BSC	4X Ø H	Holes
0.328	0.363		
0.390	0.423	0.096	
0.453	0.483	0.091	
0.515	0.545		
0.578	0.607		
0.640	0.670		
0.703	0.715		
0.828	0.812	0.130	
1.015	0.981	0.126	
1.078	1.060		
1.203	1.191		
1.328	1.322		

### NOTES

1. Grommet protrudes for power/combo/#8 arrangements.
2. For all #8 arrangements, add .100" to length of banding platform.
3. For all #8 arrangements, add .340" to overall length.

Dimensions in Inches (millimeters) are subject to change without notice.



## Series 802 “Aqua Mouse” Submersible Plug 802-008 and 802-009 - Ordering Information



Glenair’s Series 802 Mighty Mouse connectors feature stainless steel or marine bronze shells with marine bronze coupling nuts to withstand corrosion in the most hostile environments, and are designed to accommodate (depending on insert arrangement) Glenair size 16, 20HD, or 23 fiber optic termini (termini sold separately.) Metal clips inside the connector body lock the termini into place. Termini are removable. Rated for 3500 PSI when mated, these connectors are suitable for the most demanding geophysical and underwater applications. Terminate cable shield directly to integral shield attachment platform with Band-Master™ strap, or choose rear accessory thread to attach optional backshell. Available in shell sizes 1 through 21 in 30 insert arrangements.

W

How To Order						
<b>Sample Part Number</b>	<b>802-009</b>	<b>-06</b>	<b>Z1</b>	<b>9-19</b>	<b>A</b>	<b>A</b>
<b>Series (See Table I)</b>	<b>802-008</b> = Plug with Banding/ Molding Platform <b>802-009</b> = Plug with Accessory Thread					
<b>Shell Style</b>	<b>-06</b> = Plug					
<b>Shell Material and Finish</b>	<b>Z1</b> = Stainless Steel/Passivated RoHS Compliant <b>ZM</b> = Stainless Steel/ Electroless Nickel Plated <b>AB</b> = Marine Bronze					
<b>Shell Size - Insert Arrangement</b>	See Contact Arrangements page W-3, W-6, W-8					
<b>Contact Type</b>	<b>Connector Supplied without Termini.</b> <b>A</b> = Pin Connector, Less Termini <b>B</b> = Socket Connector, Less Termini					
<b>Shell Key Positions (See Table II)</b>	<b>A</b> = Normal <b>B</b> = Pos. B <b>C</b> = Pos. C <b>D</b> = Pos. D <b>E</b> = Pos. E <b>F</b> = Pos. F					

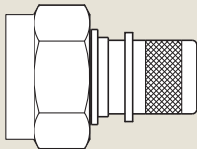
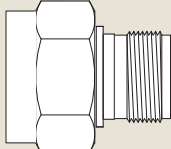
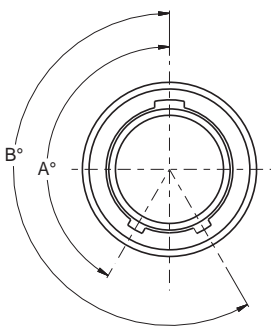
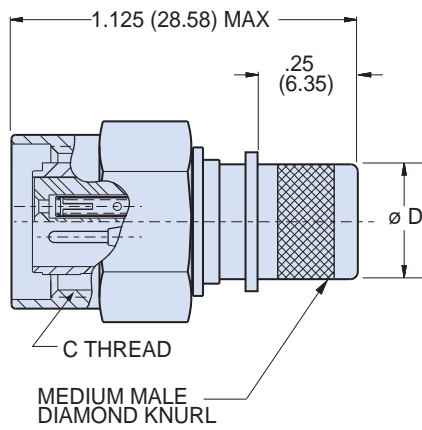
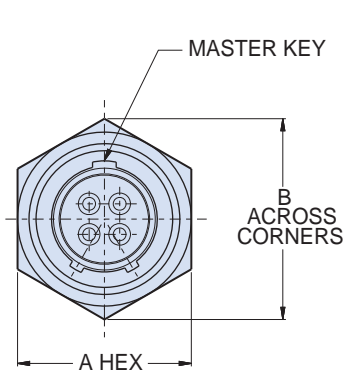
Table I: Series	
 <b>802-008</b> Hex Plug with Banding/Molding Platform	 <b>802-009</b> Hex Plug with Accessory Thread

Table II: Key Positions		
		
Key Position	Key Rotation	
	A°	B°
Normal (A)	150°	210°
B	75°	210°
C	95°	230°
D	140°	275°
E	75°	275°
F	95°	210°

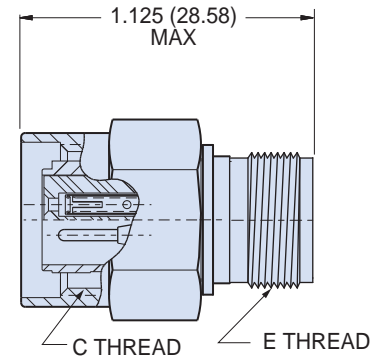
Dimensions in Inches (millimeters) are subject to change without notice.

# Series 802 "Aqua Mouse" Submersible Plug

## 802-008-06 and 802-009-06 Dimensions



**Integral Band Platform**  
**802-006**



**Accessory Thread**  
**802-009**

W

Dimensions								
Shell Size	A Hex		B Max.		C	Ø D		E Threads
	In.	mm.	In.	mm.	Mating Threads	In.	mm.	Accessory
5	.500	12.70	.560	14.22	.438-28 UNEF	.232	5.90	.2500-32 UNEF-2A
6	.625	15.88	.720	18.29	.562-20 UN	.312	7.92	.3125-32 UNEF-2A
7	.688	17.48	.780	19.81	.625-20 UN	.375	9.53	.4375-28 UNEF-2A
8	.750	19.05	.860	21.84	.687-20 UN	.438	11.13	.5000-28 UNEF-2A
9	.812	20.62	.930	23.62	.750-20 UNEF	.500	12.70	.5625-24 UNEF-2A
10	.875	22.23	1.000	25.40	.812-20 UNEF	.562	14.27	.6250-24 UNEF-2A
12	.938	23.83	1.060	26.92	.875-20 UNEF	.656	16.66	.6875-24 UNEF-2A
14	1.125	28.58	1.250	31.75	1.062-20 UN	.812	20.62	.8750-20 UNEF-2A
15	1.188	30.18	1.320	33.53	1.125-20 UN	.885	22.40	.9375-20 UNEF-2A
21	1.562	39.67	1.700	43.18	1.437-20 UN	1.188	30.18	1.2500-18 UNEF-2A

Dimensions in Inches (millimeters) are subject to change without notice.



## Series 802 “Aqua Mouse” Submersible Receptacle 802-010 and 802-011 Ordering Information



Jam Nut, Rear Mount



Square Flange

**Three Shell Mounting Options:** Jam nut with o-ring for rear panel mounting, square flange for front panel mounting, or in-line receptacles for free-hanging cables.

**Two Shell Styles:** Choose the integral band platform for direct attachment of a cable shield. Install a boot, or overmold a boot over the band platform. An accessory thread is available for attaching strain reliefs and backshells.

W

How To Order	
<b>Sample Part Number</b>	<b>802-011 -02 Z1 10-26 P B</b>
<b>Series (See Table I)</b>	<b>802-010</b> Receptacle with Banding Platform <b>802-011</b> Receptacle with Accessory Thread
<b>Shell Style (See Table II)</b>	<b>-01</b> = In-Line <b>-02</b> = Square Flange for Front Panel Mounting <b>-07</b> = Jam Nut for Rear Panel Mounting
<b>Shell Material and Finish</b>	<b>Z1</b> = Stainless Steel/Passivated RoHS Compliant <b>ZM</b> = Stainless Steel/Electroless Nickel Plated <b>AB</b> = Marine Bronze/Unplated
<b>Shell Size - Insert Arrangement</b>	See Contact Arrangements Page W-3, W-6, W-8
<b>Contact Type</b>	<b>Connector supplied without termini. Please indicate pin or socket.</b> <b>A</b> = Pin Connector, less termini <b>B</b> = Socket Connector, less termini
<b>Shell Key Positions (See Table III)</b>	<b>A</b> = Normal <b>B</b> = Pos. B <b>C</b> = Pos. C <b>D</b> = Pos. D <b>E</b> = Pos. E <b>F</b> = Pos. F

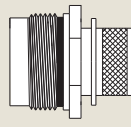
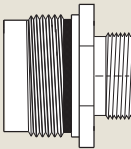
Table I: Series

<b>802-010</b> Receptacle with Banding Platform

<b>802-011</b> Receptacle with Accessory Thread

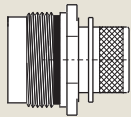
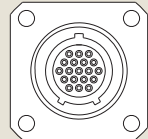
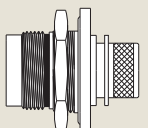
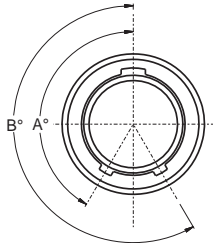
Table II: Shell Style		
		
<b>-01</b> In-Line	<b>-02</b> Square Flange	<b>-07</b> Jam Nut for Rear Panel Mounting

Table III: Key Positions		
	A°	B°
<b>A</b>	150°	210°
<b>B</b>	75°	210°
<b>C</b>	95°	230°
<b>D</b>	140°	275°
<b>E</b>	75°	275°
<b>F</b>	95°	210°

Dimensions in Inches (millimeters) are subject to change without notice.

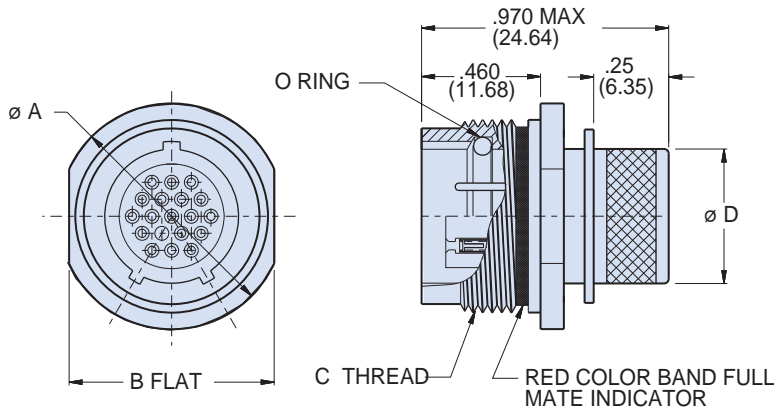
# Series 802 "Aqua Mouse" Submersible In-Line Receptacle

802-010-01 and 802-011-01 Dimensions



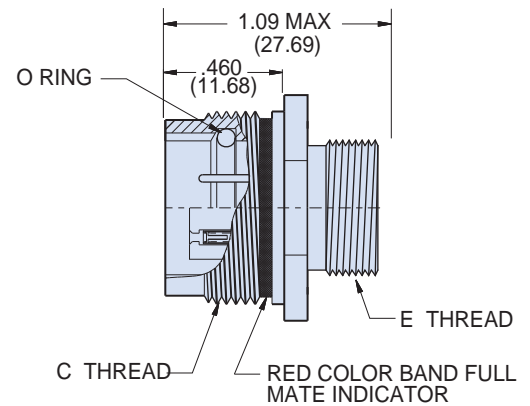
Fiber Optic  
Mighty Mouse

## In-line cable receptacle - shell style 01



IN-LINE RECEPTABLE WITH INTEGRAL BAND PLATFORM  
802-010

**Integral Band Platform**  
**802-010**



IN-LINE RECEPTACLE WITH ACCESSORY THREAD  
802-011

**Accessory Thread**  
**802-011**

W

Dimensions								
Shell Size	Ø A		B Flats		C Mating Threads	Ø D		E Accessory Threads
	In.	mm.	In.	mm.		In.	mm.	
5	.560	14.22	.500	12.70	.438-28 UNEF	.232	5.90	.2500-32 UNEF-2A
6	.720	18.29	.625	15.88	.562-20 UN	.312	7.92	.3125-32 UNEF-2A
7	.780	19.81	.688	17.48	.625-20 UN	.375	9.53	.4375-28 UNEF-2A
8	.860	21.84	.750	19.05	.687-20 UN	.438	11.13	.5000-28 UNEF-2A
9	.930	23.62	.812	20.62	.750-20 UNEF	.500	12.70	.5625-24 UNEF-2A
10	1.000	25.40	.875	22.23	.812-20 UNEF	.562	14.27	.6250-24 UNEF-2A
12	1.060	26.92	.938	23.83	.875-20 UNEF	.656	16.66	.6875-24 UNEF-2A
14	1.250	31.75	1.125	28.58	1.062-20 UN	.812	20.62	.8750-20 UNEF-2A
15	1.320	33.53	1.188	30.18	1.125-20 UN	.885	22.40	.9375-20 UNEF-2A
21	1.690	42.93	1.562	39.67	1.4375-20 UN	1.188	30.18	1.2500-20 UNEF-2A

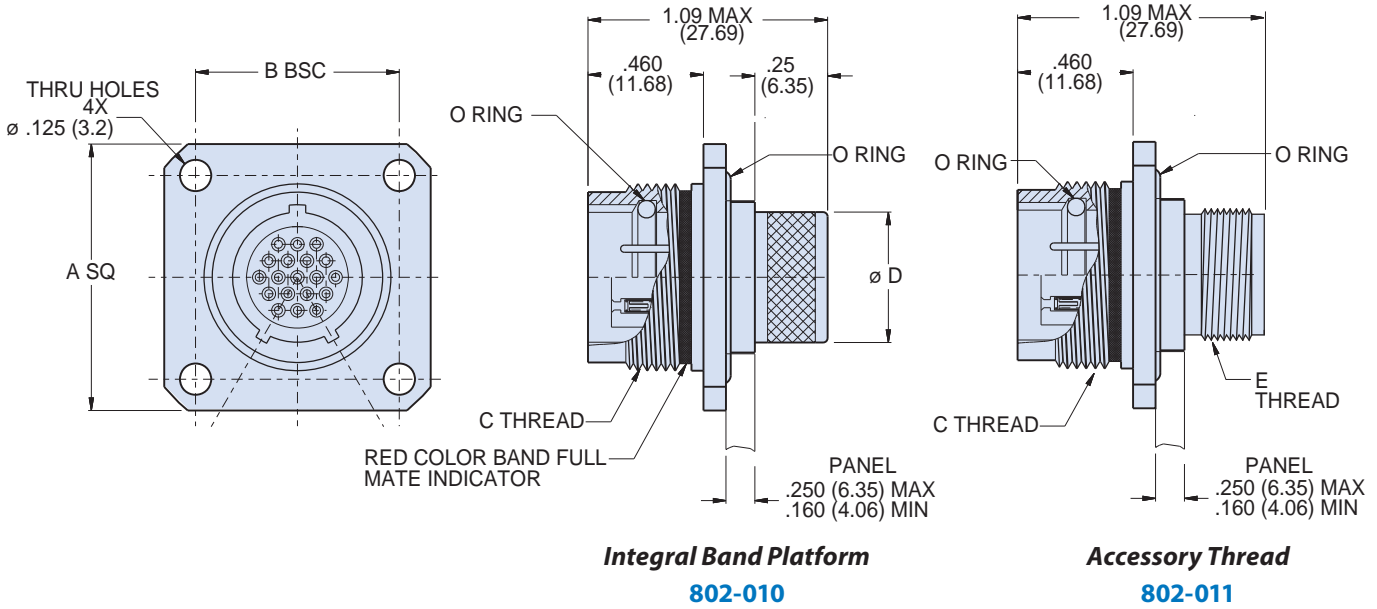
Dimensions in Inches (millimeters) are subject to change without notice.



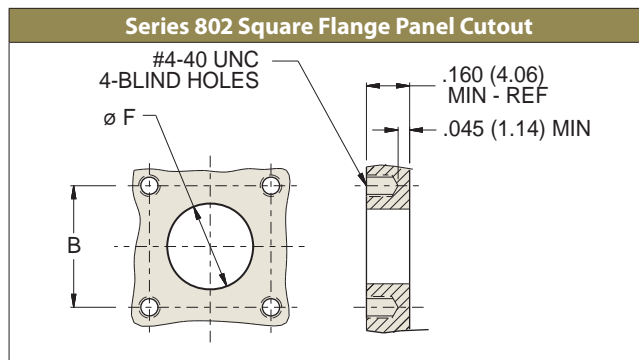
# Series 802 "Aqua Mouse" Submersible Square Flange Receptacle

## 802-010-02 and 802-011-02 Dimensions

### Square flange, front panel mount receptacle - shell style 02



Dimensions										
Shell Size	A Square		B Bsc.		C Mating Threads	Ø D		E Accessory Threads	Ø F	
	In.	mm.	In.	mm.		In.	mm.		In.	mm.
5	.885	22.48	.500	12.70	.438-28 UNEF	.232	5.90	.2500-32 UNEF-2A	.327	8.31
6	1.010	25.65	.625	15.88	.562-20 UN	.312	7.92	.3125-32 UNEF-2A	.390	9.91
7	1.072	27.23	.688	17.48	.625-20 UN	.375	9.53	.4375-28 UNEF-2A	.515	13.08
8	1.135	28.83	.750	19.05	.687-20 UN	.438	11.13	.5000-28 UNEF-2A	.577	14.66
9	1.195	30.35	.812	20.62	.750-20 UNEF	.500	12.70	.5625-24 UNEF-2A	.640	16.26
10	1.260	32.00	.875	22.23	.812-20 UNEF	.562	14.27	.6250-24 UNEF-2A	.702	17.83
12	1.322	33.58	.938	23.83	.875-20 UNEF	.656	16.66	.6875-24 UNEF-2A	.765	19.43
14	1.510	38.25	1.125	28.58	1.062-20 UN	.812	20.62	.8750-20 UNEF-2A	.953	24.21
15	1.573	39.95	1.188	30.18	1.125-20 UN	.885	22.40	.9375-20 UNEF-2A	1.015	25.78
21	1.750	44.45	1.375	34.93	1.4375-20 UN	1.188	30.18	1.2500-20 UNEF-2A	1.312	33.32

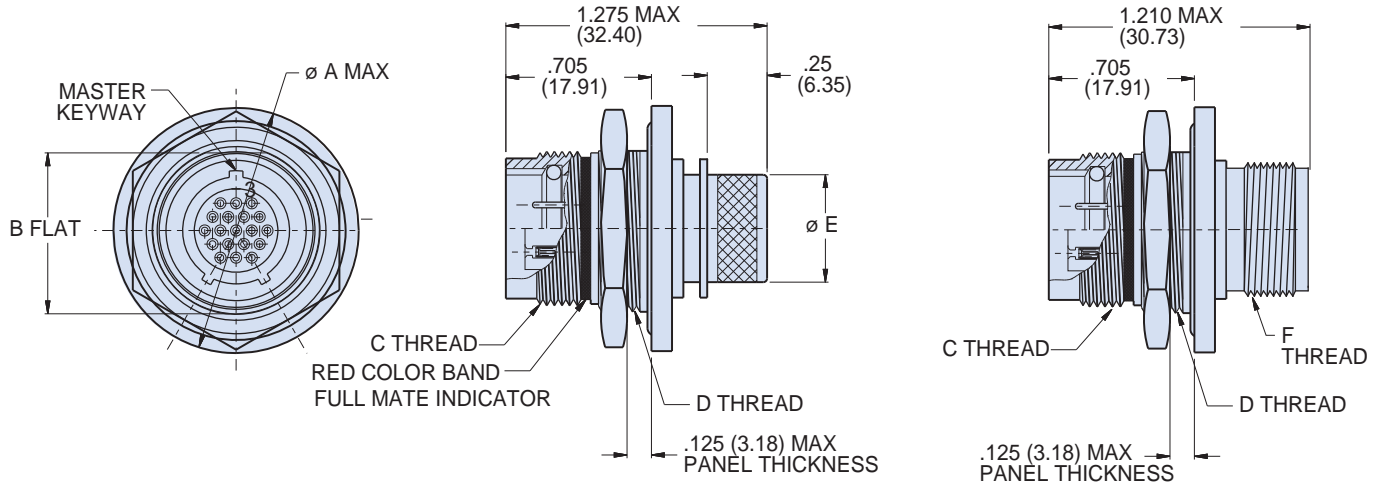


Dimensions in Inches (millimeters) are subject to change without notice.

Series 802 "Aqua Mouse" Submersible  
802-010-07 and 802-011-07 Dimensions



**Jam nut, rear panel mount receptacle - shell style 07**

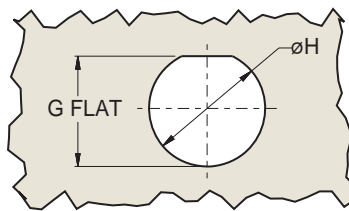


**Integral Band Platform**  
**802-010**

**Accessory Thread**  
**802-011**



Dimensions													
Shell Size	A Max.		B Flat		C Mating Threads	D Jam Nut Threads	Ø E		F Accessory Threads	G Flat		Ø H	
	In.	mm.	In. ±.003	mm. ±0.08			In.	mm.		In. ±.003	mm. ±0.08	In.	mm.
5	.885	22.48	.466	11.84	.438-28 UNEF	.500-32 UN-2A	.232	5.90	.2500-32 UNEF-2A	.477	12.12	.510	12.95
6	1.010	25.65	.591	15.01	.562-20 UN	.625-28 UN-2A	.312	7.92	.3125-32 UNEF-2A	.602	15.29	.635	16.13
7	1.072	27.23	.653	16.59	.625-20 UN	.687-28 UN-2A	.375	9.53	.4375-28 UNEF-2A	.664	16.87	.697	17.70
8	1.135	28.83	.716	18.19	.687-20 UN	.750-28 UN-2A	.438	11.13	.5000-28 UNEF-2A	.727	18.47	.760	19.30
9	1.195	30.35	.778	19.76	.750-20 UNEF	.812-28 UN-2A	.500	12.70	.5625-24 UNEF-2A	.789	20.04	.822	20.88
10	1.260	32.00	.827	21.01	.812-20 UNEF	.875-28 UN-2A	.562	14.27	.6250-24 UNEF-2A	.838	21.29	.885	22.48
12	1.322	33.58	.890	22.61	.875-20 UNEF	.938-28 UN-2A	.656	16.66	.6875-24 UNEF-2A	.901	22.89	.948	24.08
14	1.510	38.25	1.077	27.36	1.062-20 UN	1.125-28 UN-2A	.812	20.62	.8750-20 UNEF-2A	1.088	27.64	1.135	28.83
15	1.572	39.93	1.140	28.96	1.125-20 UN	1.188-28 UN-2A	.885	22.40	.9375-20 UNEF-2A	1.151	29.24	1.198	30.43
21	1.940	49.28	1.464	37.19	1.4375-20 UN	1.500-28 UN-2A	1.188	30.18	1.2500-20 UNEF-2A	1.473	37.41	1.510	39.12



RECOMMENDED PANEL CUTOUT

Dimensions in Inches (millimeters) are subject to change without notice.





## Series 805 Mighty Mouse Triple-Start Plug 805-001 and 805-002 Ordering Information



Glenair's Series 805 Mighty Mouse connectors feature a spring mechanism in the coupling nut that locks into radial teeth on the plug barrel. This feature allows the Series 805 to stay mated even when under high vibration, without the need for safety wire or torque tools. Connector shells are machined aluminum or stainless steel, and are designed to accommodate (depending on insert arrangement) Glenair size 16, 20HD, or 23 fiber optic termini (termini sold separately.) Metal clips inside the connector body lock the termini into place. Termini are removable. Fluorosilicone seals and rear grommet protect the connector from water ingress. Choose hex or knurled coupling nut. Terminate cable shield directly to connector body with Band-Master™ strap, or choose rear accessory thread to attach optional backshell. Available in shell sizes 1 through 21 in 30 insert arrangements.

W

### How To Order

How To Order						
<b>Sample Part Number</b>	<b>805-001</b>	<b>-16</b>	<b>M</b>	<b>8-4</b>	<b>P</b>	<b>A</b>
<b>Series (See Table I)</b>	<b>805-001</b> = Plug with Banding Platform <b>805-002</b> = Plug with Accessory Thread					
<b>Shell Style</b>	<b>-16</b> = Plug Connector with Ratcheting Anti-Decoupling Mechanism					
<b>Shell Material and Finish</b>	<b>C</b> = Aluminum / Black Anodize (Non-Conductive); RoHS Compliant <b>M</b> = Aluminum / Electroless Nickel; RoHS Compliant <b>MT</b> = Aluminum / Nickel-PTFE RoHS Compliant <b>NF</b> = Aluminum / Cadmium with Olive Drab Chromate <b>ZN</b> = Aluminum / Zinc-Nickel with Olive Drab Chromate <b>ZNU</b> = Aluminum / Zinc-Nickel with Black Chromate <b>Z1</b> = Stainless Steel / Passivated; RoHS Compliant					
<b>Shell Size - Insert Arrangement</b>	See Contact Arrangements Page W-3, W-6, W-8					
<b>Contact Type</b>	<b>Connector supplied without termini. Please indicate pin or socket.</b> <b>A</b> = Pin Connector, less termini <b>B</b> = Socket Connector, less termini					
<b>Shell Key Positions (See Table II)</b>	<b>A</b> = Normal <b>B</b> = Pos. B <b>C</b> = Pos. C <b>D</b> = Pos. D <b>E</b> = Pos. E <b>F</b> = Pos. F					

**Table I: Series**

<b>805-001</b> Plug with Banding Platform	<b>805-002</b> Plug with Accessory Thread

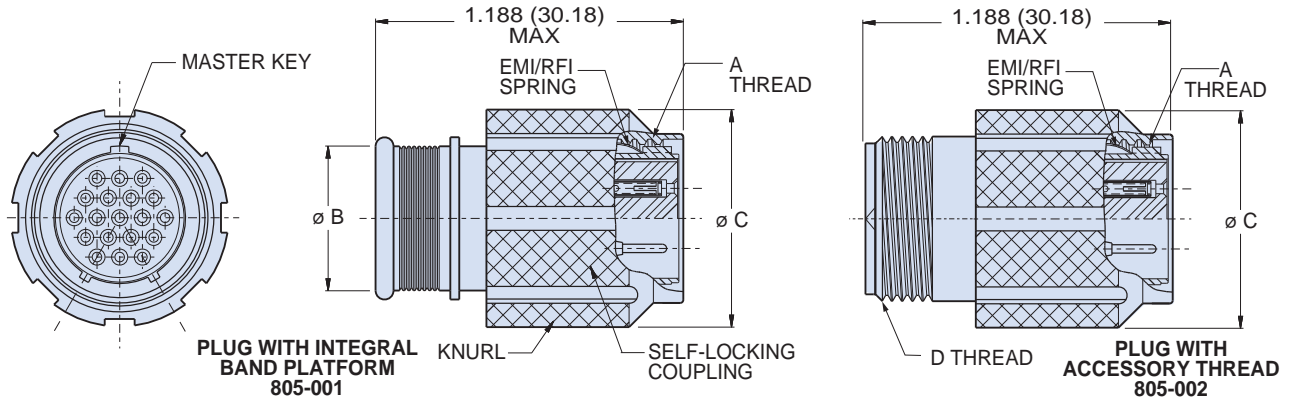
**Table II: Key Positions**

Key Position	Key Rotation	
	A	B
Normal (A)	150°	210°
B	75°	210°
C	95°	230°
D	140°	275°
E	75°	275°
F	95°	210°

Dimensions in Inches (millimeters) are subject to change without notice.

# Series 805 Mighty Mouse Triple-Start Plug

## 805-001-16 and 805-002-16 Dimensions



W

Dimensions						
Shell Size	A Threads	Ø B		Ø C		D Threads Accessory
		In.	mm.	In.	mm.	
8	.5000-.1P-.3L-TS-2B	.317	8.05	.691	17.55	.3750-32 UNEF-2A
9	.5625-.1P-.3L-TS-2B	.397	10.08	.787	19.99	.4375-28 UNEF-2A
10	.6250-.1P-.3L-TS-2B	.473	12.01	.826	20.98	.5000-28 UNEF-2A
11	.6875-.1P-.3L-TS-2B	.519	13.18	.916	23.27	.5625-24 UNEF-2A
12	.7500-.1P-.3L-TS-2B	.585	14.86	.982	24.94	.6250-24 UNEF-2A
15	.9375-.1P-.3L-TS-2B	.687	17.45	1.097	27.86	.7500-20 UNEF-2A
18	1.1250-.1P-.3L-TS-2B	.884	22.45	1.290	32.77	.9375-20 UNEF-2A
19	1.1875-.1P-.3L-TS-2B	.884	22.45	1.310	33.27	.9375-20 UNEF-2A
23	1.4375-.1P-.3L-TS-2B	1.135	28.83	1.562	39.67	1.1875-18 UNEF-2A

Performance Specifications	
DWV	23 500 VAC Sea level, 20HD 750 VAC, 12 AND 16 1800 VAC
Insulation Resistance	5000 Megohms Minimum
Operating Temperature	-55° C. to +150° C.
Immersion, Mated	MIL-STD-810 Method 512. One Meter for One Hour.
EMI	65 dB Minimum from 1 GHz. to 10 GHz.

Materials and Finishes	
Connector Shell	Aluminum or Stainless Steel
Insulator	Liquid Crystal Polymer (LCP)
Seals	Fluorosilicone Rubber, Blue
Pin Contact	Copper Alloy, Gold over Nickel Plating
Socket Contact	Copper Alloy, Gold over Nickel Plating, with SST Hood
Contact Retainer Clip	Copper alloy, Unplated

Dimensions in Inches (millimeters) are subject to change without notice.



# Series 805 Mighty Mouse Triple-Start Crimp Receptacle

## 805-003 and 805-004 Ordering Information



### Three Shell Mounting Options

Jam nut with O-ring for rear panel mounting, square flange for front or rear panel mounting, or in-line receptacles for free-hanging cables.

### Gold-Plated Crimp Contacts

are held in place with beryllium copper retention clips. Contacts are removable.

**Two Shell Styles:** Choose integral band platform for direct attachment of a cable shield. Install a boot, or overmold a boot over the band platform. An accessory thread is available for attaching strain reliefs and backshells.

W

How To Order	
<b>Sample Part Number</b>	<b>805-004 -02 NF 9-10 P A</b>
<b>Series (See Table I)</b>	<p><b>805-003</b> = Receptacle with Banding Platform</p> <p><b>805-004</b> = Receptacle with Accessory Thread</p>
<b>Shell Style (See Table II)</b>	<p><b>-01</b> = In-line</p> <p><b>-02</b> = Square Flange Front or Rear Mount</p> <p><b>-12</b> = Square Flange Rear Mount Non-Locking Clinch Nuts</p> <p><b>-22</b> = Square Flange Rear Mount Locking Clinch Nuts</p> <p><b>-07</b> = Jam Nut for Rear Panel Mounting</p>
<b>Shell Material and Finish</b>	<p><b>C</b> = Aluminum / Black Anodize (Non-Conductive); RoHS Compliant</p> <p><b>M</b> = Aluminum / Electroless Nickel; RoHS Compliant</p> <p><b>MT</b> = Aluminum / Nickel-PTFE RoHS Compliant</p> <p><b>NF</b> = Aluminum / Cadmium with Olive Drab Chromate</p> <p><b>ZNU</b> = Aluminum / Zinc-Nickel with Black Chromate</p> <p><b>Z1</b> = Stainless Steel / Passivated; RoHS Compliant</p> <p><b>ZB</b> = Stainless Steel / Olive Drab Chromate over Cadmium</p> <p><b>ZC</b> = Stainless Steel / Zinc Cobalt Alloy/Black Chromate</p>
<b>Shell Size - Insert Arr</b>	See Contact Arrangements Page W-3, W-6, W-8
<b>Contact Type</b>	<p><b>Connector supplied without termini. Please indicate pin or socket.</b></p> <p><b>A</b> = Pin Connector, less termini</p> <p><b>B</b> = Socket Connector, less termini</p>
<b>Shell Key Positions (See Table III)</b>	<b>A</b> = Normal <b>B</b> = Pos. B <b>C</b> = Pos. C <b>D</b> = Pos. D <b>E</b> = Pos. E <b>F</b> = Pos. F

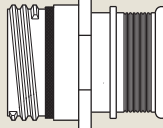
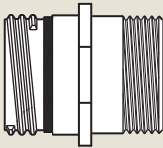
Table I: Series
 <b>805-003</b> Receptacle with Banding Platform
 <b>805-004</b> Receptacle with Accessory Thread

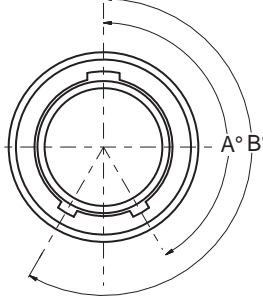
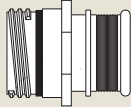
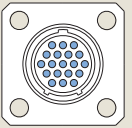
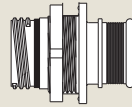
Table III Keyway Positions		
		
Position	A	B
Normal (A)	150°	210°
B	75°	210°
C	95°	230°
D	140°	275°

Table II: Shell Style		
 <b>-01</b> In-line Receptacle	 <b>-02, -12, -22</b> Square Flange	 <b>-07</b> Jam Nut

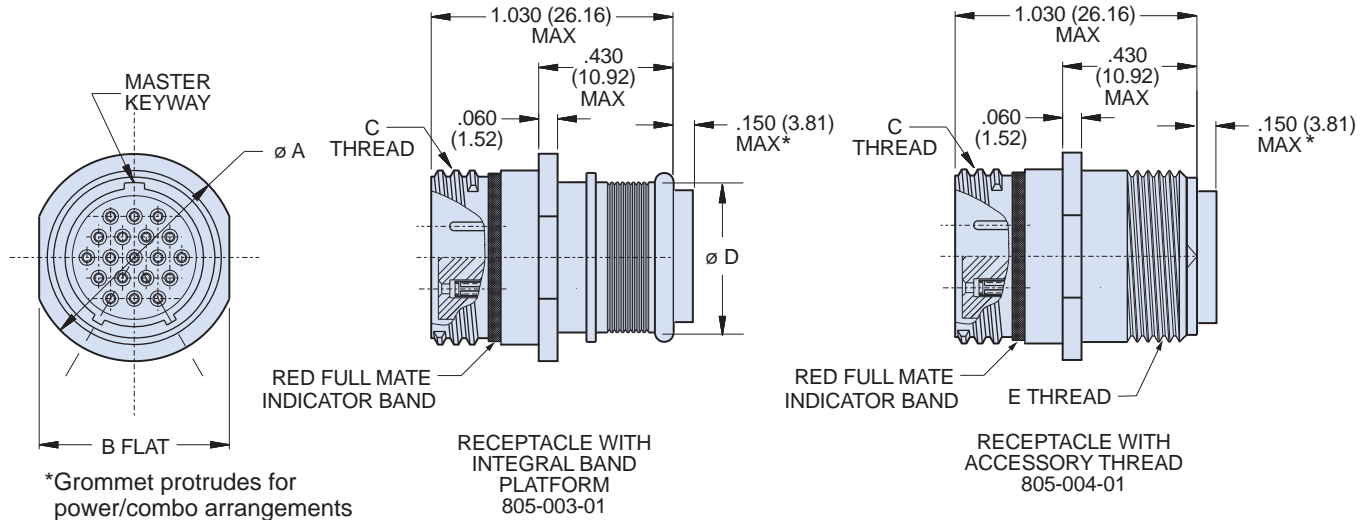
Dimensions in Inches (millimeters) are subject to change without notice.

# Series 805 Mighty Mouse Triple-Start In-line Receptacle

## 805-003-01 and 805-004-01 Dimensions



### In-line cable receptacle - shell style 01



W

Dimensions								
Shell Size	Ø A		B		C Threads	Ø D		E Threads Accessory
	In.	mm.	In.	mm.		In.	mm.	
8	.540	13.72	.510	12.95	.5000-.1P-.3L-TS-2A	.316	8.05	.3750-32 UNEF-2A
9	.605	15.37	.575	14.61	.5625-.1P-.3L-TS-2A	.397	10.08	.4375-28 UNEF-2A
10	.668	16.96	.638	16.21	.6250-.1P-.3L-TS-2A	.472	12.01	.5000-28 UNEF-2A
11	.730	18.54	.700	17.78	.6875-.1P-.3L-TS-2A	.519	13.18	.5625-24 UNEF-2A
12	.793	20.14	.763	19.38	.7500-.1P-.3L-TS-2A	.585	14.86	.6250-24 UNEF-2A
15	.980	24.89	.950	24.13	.9375-.1P-.3L-TS-2A	.687	17.45	.7500-20 UNEF-2A
18	1.165	29.59	1.135	28.83	1.1250-.1P-.3L-TS-2A	.884	22.45	.9375-20 UNEF-2A
19	1.235	31.37	1.205	30.61	1.1875-.1P-.3L-TS-2A	.884	22.45	.9375-20 UNEF-2A
23	1.485	37.72	1.455	36.96	1.4375-.1P-.3L-TS-2A	1.134	28.80	1.1875-18 UNEF-2A

Performance Specifications	
DWV	23 500 VAC Sea level, 20HD 750 VAC, 12 AND 16 1800 VAC
Insulation Resistance	5000 Megohms Minimum
Operating Temperature	-55° C. to +150° C.
Immersion, Mated	MIL-STD-810 Method 512. One Meter for One Hour.
EMI	65 dB Minimum from 1 GHz. to 10 GHz.

Materials and Finishes	
Connector Shell	Aluminum or Stainless Steel
Insulator	Liquid Crystal Polymer (LCP)
Seals	Fluorosilicone Rubber, Blue
Pin Contact	Copper Alloy, Gold over Nickel Plating
Socket Contact	Copper Alloy, Gold over Nickel Plating, with SST Hood
Contact Retainer Clip	Copper alloy, Unplated

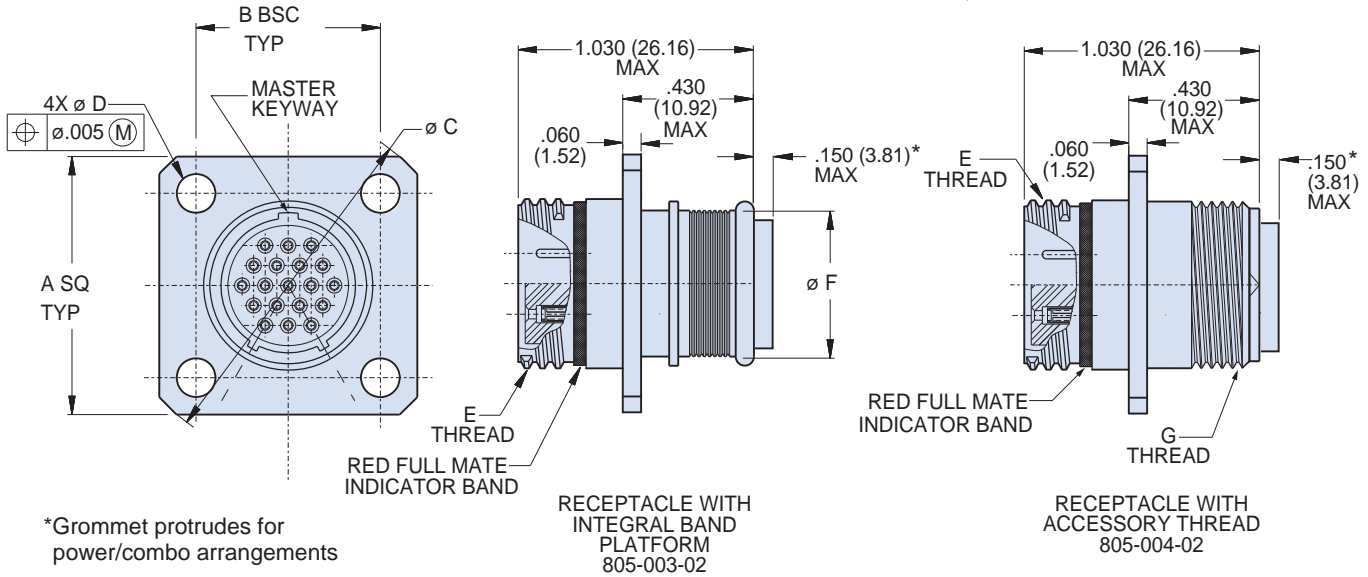
Dimensions in Inches (millimeters) are subject to change without notice.



# Series 805 Mighty Mouse Triple-Start Square Flange Receptacle

## 805-003-02 and 805-004-02 Dimensions

### Square flange, front or rear panel mount receptacle - shell style 02



#### Dimensions

Shell Size	A		B		ØC		ØD		E Threads	Ø F		G Threads Accessory
	In.	mm.	In.	mm.	In.	mm.	±.003	±.08		In.	mm.	
8	.850	21.59	.660	16.76	1.150	29.21	.094	2.39	.5000-1P-3L-TS-2A	.316	8.05	.3750-32 UNEF-2A
9	.913	23.19	.723	18.36	1.230	31.24	.094	2.39	.5625-1P-3L-TS-2A	.397	10.08	.4375-28 UNEF-2A
10	.975	24.77	.785	19.94	1.330	33.78	.094	2.39	.6250-1P-3L-TS-2A	.472	12.01	.5000-28 UNEF-2A
11	1.039	26.39	.848	21.54	1.410	35.81	.094	2.39	.6875-1P-3L-TS-2A	.519	13.18	.5625-24 UNEF-2A
12	1.099	27.91	.909	23.09	1.500	38.10	.094	2.39	.7500-1P-3L-TS-2A	.585	14.86	.6250-24 UNEF-2A
15	1.288	32.74	1.058	26.87	1.750	44.45	.128	3.25	.9375-1P-3L-TS-2A	.687	17.45	.7500-20 UNEF-2A
18	1.475	37.47	1.255	31.88	2.000	50.80	.128	3.25	1.1250-1P-3L-TS-2A	.884	22.45	.9375-20 UNEF-2A
19	1.537	71.06	1.327	33.71	2.094	53.19	.128	3.25	1.1875-1P-3L-TS-2A	.884	22.45	.9375-20 UNEF-2A
23	1.787	45.39	1.570	39.88	2.440	61.98	.128	3.25	1.4375-1P-3L-TS-2A	1.134	28.80	1.1875-18 UNEF-2A

#### Performance Specifications

DWV	23 500 VAC Sea level, 20HD 750 VAC, 12 AND 16 1800 VAC
Insulation Resistance	5000 Megohms Minimum
Operating Temperature	-55° C. to +150° C.
Immersion, Mated	MIL-STD-810 Method 512. One Meter for One Hour.
EMI	65 dB Minimum from 1 GHz. to 10 GHz.

#### Materials and Finishes

Connector Shell	Aluminum or Stainless Steel
Insulator	Liquid Crystal Polymer (LCP)
Seals	Fluorosilicone Rubber, Blue
Contact	Copper Alloy, Gold over Nickel Plating
Contact Retainer Clip	Copper alloy, Unplated

Dimensions in Inches (millimeters) are subject to change without notice.

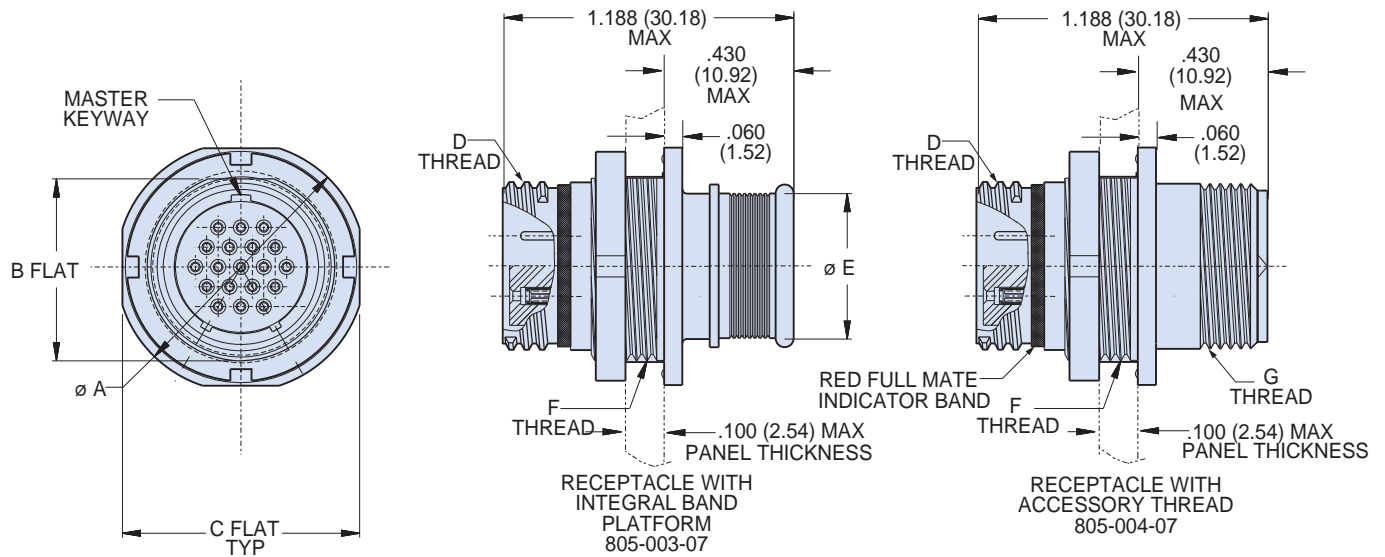
# Series 805 Mighty Mouse Triple-Start Jam Nut Receptacle

805-003-07 and 805-004-07 Dimensions



Fiber Optic  
Mighty Mouse

## Jam nut, rear panel mount receptacle - shell style 07



### Dimensions

Shell Size	ø A		B		C		D Threads	ø E		F Threads	G Threads Accessory
	In.	mm.	In.	mm.	In.	mm.		In.	mm.		
8	.760	19.30	.535	13.59	.730	18.54	.5000-1P-.3L-TS-2A	.317	8.05	.5625-28 UNEF-2A	.3750-32 UNEF-2A
9	.880	22.35	.661	16.79	.850	21.59	.5625-1P-.3L-TS-2A	.397	10.08	.6875-28 UN-2A	.4375-28 UNEF-2A
10	.880	22.35	.661	16.79	.850	21.59	.6250-1P-.3L-TS-2A	.473	12.01	.6875-28 UN-2A	.5000-28 UNEF-2A
11	.955	24.26	.721	18.31	.925	23.50	.6875-1P-.3L-TS-2A	.519	13.18	.7500-28 UN-2A	.5625-24 UNEF-2A
12	1.060	26.92	.784	19.91	1.035	26.29	.7500-1P-.3L-TS-2A	.585	14.86	.8125-28 UN-2A	.6250-24 UNEF-2A
15	1.203	30.56	.970	24.64	1.173	29.79	.9375-1P-.3L-TS-2A	.687	17.45	1.0000-28 UN-2A	.7500-20 UNEF-2A
18	1.389	35.28	1.147	29.13	1.359	34.52	1.1250-1P-.3L-TS-2A	.884	22.45	1.1875-28 UN-2A	.9375-20 UNEF-2A
19	1.450	36.83	1.221	31.01	1.420	36.07	1.1875-1P-.3L-TS-2A	.884	22.45	1.2500-28 UN-2A	.9375-20 UNEF-2A
23	1.705	43.31	1.470	37.34	1.675	42.55	1.4375-1P-.3L-TS-2A	1.134	28.80	1.500-25 UN-2A	1.1875-18 UNEF-2A

### Panel Cutout For Jam Nut Receptacle

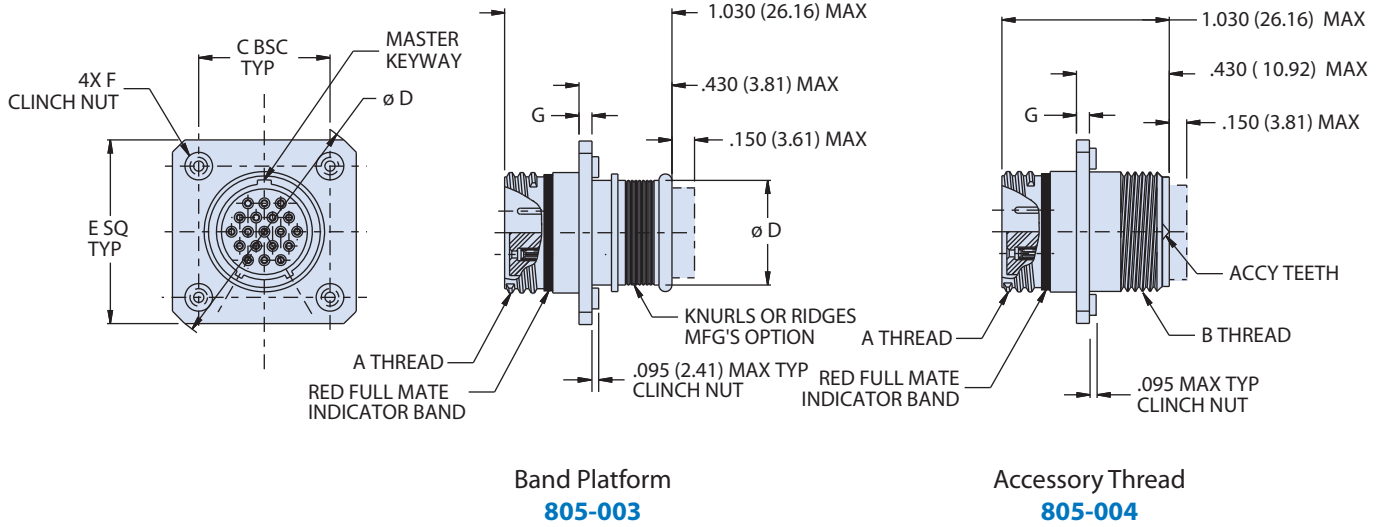
Shell Size	A Flat		ø B	
	In. ± .002	mm. ± 0.05	In. ± .005	mm. ± 0.13
8	.543	13.79	.572	14.53
9	.669	16.99	.698	17.73
10	.669	16.99	.698	17.73
11	.729	18.51	.760	19.30
12	.792	20.17	.822	20.88
15	.978	24.84	1.010	25.65
18	1.155	29.34	1.198	30.43
19	1.231	31.27	1.260	32.00
23	1.480	37.59	1.510	38.35

Dimensions in Inches (millimeters) are subject to change without notice.

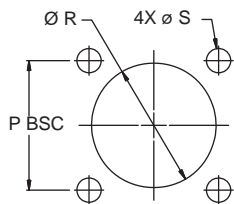


## Series 805 Mighty Mouse Triple-Start Square Flange, Clinch Nut Receptacle 805-003-12/22 and 805-004-12/22 Dimensions

### Square flange, rear panel mount receptacle with clinch nut - shell style 12/22



Dimensions										
Shell Size	A Thread	B Thread	C BSC		ø D		E SQ		F Clinch Nuts	G
			in.	mm.	in.	mm.	in.	mm.		
8	.5000-1P-.3L-TS-2A	.3750-32 UNEF-2A	0.660	16.76	1.194	30.33	0.920	23.37	2-56	.030
9	.5625-1P-.3L-TS-2A	.4375-28 UNEF-2A	0.723	18.36	1.283	32.59	0.983	24.97		
10	.6250-1P-.3L-TS-2A	.5000-28 UNEF-2A	0.785	19.94	1.371	34.82	1.045	26.54		
11	.6875-1P-.3L-TS-2A	.5625-24 UNEF-2A	0.848	21.54	1.460	37.08	1.104	28.04		
12	.7500-1P-.3L-TS-2A	.6250-24 UNEF-2A	0.909	23.09	1.546	39.27	1.169	29.69		
13	.8125-1P-.3L-TS-2A	.6875-24 UNEF-2A	0.973	24.71	1.637	41.58	1.233	31.32		
15	.9375-1P-.3L-TS-2A	.7500-20 UNEF-2A	1.058	26.87	1.817	46.15	1.378	35.00	4-40	.060
18	1.1250-1P-.3L-TS-2A	.9375-20 UNEF-2A	1.255	31.88	2.096	53.24	1.575	40.01		
19	1.1875-1P-.3L-TS-2A	.9375-20 UNEF-2A	1.327	33.71	2.197	55.80	1.647	41.83		
21	1.3125-1P-.3L-TS-2A	1.0625-18 UNEF-2A	1.452	36.88	2.380	60.45	1.772	45.01		
23	1.4375-1P-.3L-TS-2A	1.1875-18 UNEF-2A	1.570	39.88	2.541	64.54	1.890	48.01		



Square Flange Panel Cut Out Dimensions													
Shell Size	P Bsc		ø R		ø S		Shell Size	P Bsc		ø R		ø S	
	In.	mm.	In.	mm.	In.	mm.		In.	mm.	In.	mm.	In.	mm.
8	0.660	16.76	.515	13.08	.096	2.43	15	1.058	26.87	.953	24.21	.130	3.30
9	0.723	18.36	.578	14.68			18	1.255	31.88	1.140	28.96		
10	0.785	19.94	.640	16.26			19	1.327	33.71	1.203	30.56		
11	0.848	21.54	.703	17.86			21	1.452	36.88	1.328	33.73		
12	0.909	23.09	.765	19.43			23	1.570	39.88	1.453	36.91		
13	0.973	24.71	.828	21.03									

Dimensions in Inches (millimeters) are subject to change without notice.

Series 80 Mighty Mouse  
Backshells and Accessories  
Table of Contents and Introduction



**PRODUCT SELECTION GUIDE**



**Heat-Shrink Boots**

These boots provide strain relief, environmental protection and fit all Series 80 connectors. Straight, 90°, 45°, Long Tail and USB versions.

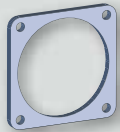
**Page X-3**



**Hex Nuts and Jam Nuts**

Mighty Mouse jam nut receptacles are supplied with low-profile spanner nuts. Optional hex nuts are available with safety wire holes.

**Page X-10**



**Flange Gaskets**

Die-cut flange gaskets provide panel sealing for flange mount receptacles. Available in fluorosilicone, Viton® and conductive fluorosilicone.

**Page X-12**



**Replacement O-rings**

Replace lost or damaged O-rings. Available in fluorosilicone, EPDM and conductive fluorosilicone, these O-rings fit Mighty Mouse jam nut receptacles.

**Page X-15**



**Mounting Flange**

Replace worn or lost mounting flanges. Offered with standard or metric threads.

**Page X-18**



**Backshells**

Thread on rotatable or direct coupling backshells provide strain relief for wire bundles. Upgrade to environmental and EMI protection or select an adapter for banding or shrink boot options. Available in Straight, 45°, or 90°.

**Page X-19**



**Series 800 thru 805 Protective Covers**

Thread-on or frictions fit covers provide a watertight seal and prevent damage. Select nylon cord or wire rope lanyards with a range of ring terminal diameters to fit just about any need.

**Page X-41**



**Series 800 Dummy Storage Receptacles**

Provide a safe and secure location for cable plugs that are disconnected due to maintenance or repair.

**Page X-74**

Dimensions in Inches (millimeters) are subject to change without notice.







## Series 80 Mighty Mouse Backshells and Accessories

### Accessory Thread Information

#### About accessory thread sizes for Series 80 connectors

**Series 80 Connectors** accept a variety of thread-on backshells and adapters. This section contains ordering information for these fittings, arranged by thread size.

**The Accessory Thread Table** below identifies the accessory thread sizes for each Series 80 product type. Find the correct accessory thread code from this table, and use this information to identify the correct accessory part number from the following pages.

**Some Mighty Mouse sizes are compatible with MIL-DTL-38999 Series I/II accessories.**

The table below lists the D38999 shell sizes which share the same threads with Series 80 connectors.

For example, any accessory which fits a 38999 Series II shell size 8 connector will also fit a Series 800 shell size 7 connector.

#### How to order a 38999 accessory compatible with Series 80 connectors:

- 1 Find the Series 80 shell size and thread size in the Accessory Thread Table below.
- 2 Find the corresponding 38999 shell size in the right hand column of the table.
- 3 Find a suitable accessory in Glenair's catalog. Use connector designator "F" and the correct shell size from the table.

#### Accessory thread table

Find the correct accessory thread code from this table, and use this information to identify the correct accessory part number from the following pages.

Series 802 AquaMouse™ connectors are intended for high pressure submersible applications. The accessories in this section are not recommended for use on Series 802 connectors. Contact Glenair for information on special heavy-duty stainless steel accessories for the Series 802.

Accessory Thread	Size Code	Shell Size					
		Series 800	Series 801	Series 803	Series 804	Series 805	38999 Series II
.2500-32 UNEF	05	5	5	5	5		
.3125-32 UNEF	06	6	6	6	6		
.3750-32 UNEF	11					8	
.4375-28 UNEF	07	7	7	7	7	9	8
.5000-28 UNEF	08	8	8	8	8	10	
.5625-24 UNEF	09	9	9	9	9	11	10
.6250-24 UNEF	10	10	10	10	10	12	
.6875-24 UNEF	12	12	11, 13	12	11, 12	13	12
.7500-20 UNEF	13					15	
.9375-20 UNEF	14		16, 17	14, 15	14, 15	18, 19	16
1.0625-18 UNEF	16		19			21	18
1.1875-18 UNEF	17		21			23	20

#### Using 38999 Series II accessories with Series 80 connectors- some examples

- 1 Using a Swing Arm backshell on a Mighty Mouse connector.

Connector Part Number  
**801-008-16M9-19PA**

Shell Size 9

Shell size 9 Series 801 corresponds to shell size 10 38999 Series II. Use Connector Designator "F" and shell size 10 in the part number:

Backshell Part Number  
**319F064X010**

Connector Designator F

Shell Size 10

- 2 Using a TAG® Ring backshell on a Mighty Mouse connector.

Connector Part Number  
**804-002-06NF14-55P**

Shell Size 14

Shell size 14 Series 804 corresponds to shell size 16 38999 Series II. Use Connector Designator "F" and shell size "16" in the part number:

Backshell Part Number  
**400FS001NF1606L6**

Connector Designator F

Shell Size 16

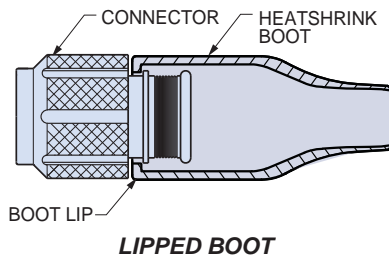
Dimensions in Inches (millimeters) are subject to change without notice.

# Series 80 Mighty Mouse Backshells and Accessories

809S060, 809SL060, 809A060, 809B060 and 809SU060



## Shrink Boots – Straight, Long Tail, 90°, 45° and USB for Series 80 Connectors



**Protect Your Cable Harness** with heat-shrinkable boots. These easy-to-use boots provide excellent electrical, mechanical and environmental protection. Heating the boot causes the boot to shrink onto the connector and cable. An adhesive lining bonds the boot to the connector and cable and fills small gaps for a complete seal. Choose straight cable exit or right angle exit. These lipped boots attach directly to Series 80 Mighty Mouse HD connectors with integral band platform. After shrinking, the boot lip locks into groove. Choose Type 1 high performance elastomer for extreme temperatures and excellent resistance to fuels and oils or Type 2 non-halogenated flame-retardant polyolefin for use where limited fire hazard is required.

### Material Selection Guide

Attribute	Type 1 High Performance Semi-Rigid Elastomer	Type 2 Zero Halogen Polyolefin	Type 9 Low-Temp Flexible Polyolefin – USB ONLY –
Continuous Operating Temp.	-75° to +165°C	-40° to +130°C	-40° to +100°C
Resistance to Fuels, Oils	Excellent	Very Good	Very Good
Low Toxicity, Zero Halogen	No	Yes	No



### Type 1 High performance Elastomer

Semi-rigid high performance boots combine excellent resistance to fuels, oils and solvents with superior performance at extreme temperatures. Rated for 3000 hours continuous operation at +165° C, these boots fit most standard boot adapters for circular connectors. Material meets the requirements of VG95343 Type 6, BSG 198-5-DE, EN62329-102 and SAE AS5258 Type H. These boots are recommended for demanding applications such as military vehicles and petrochemical exploration. Standard Black color.

### Type 2 Zero halogen

Halogen-free polyolefin boots meet low smoke and toxicity requirements of shipboard, transit and aircraft systems. These Low Smoke/Zero Halogen (LSZH) boots fit most standard shrink boot adapters, including M85049 types along with Glenair Series 31 and Series 44 adapters. Oxygen index greater than 30%, smoke index less than 20, and toxicity index under 3 per 100 grams. Material meets requirements of NAVSEA 5617649, VG95343 Part 29, BSG 198-5-DF, EN62329-101 and SAE AS5258 Type G. Resistance to oils, fuels and solvents. The boots provide strain relief and environmental protection to connector/cable transitions. Temperature rating -40° C to +130° C. Standard Black color.

### Type 9 Low Temp Flexible Polyolefin (Standard for USB)

Lipped Straight USB Shrink Boots are available only in Type 9 Flexible Polyolefin which is designed for a low installation temperature of less than 80°C. Operating temperature range of -40° C to 100° C. Standard Black color.

Dimensions in Inches (millimeters) are subject to change without notice.



## Series 80 Mighty Mouse Shrink Boots

### Boot Material Properties

#### Adhesive lined boot material properties

Heat-shrink boots are not watertight unless equipped with factory-installed or user-installed adhesives. When heat is applied to the boot, the adhesive melts and fixes the boot to the adapter and cable jacket to provide the necessary sealing as well as mechanical strain-relief. Hot melt thermoplastic polyamide adhesive is compatible with most cable jackets, economical and easy to install.

#### Shrink Boot Typical Material Properties

Property	Type 1 High Performance Elastomer	Type 2 Zero Halogen Polyolefin	Type 9* Low Temperature Flexible Polyolefin
Flexibility	Semi-rigid	Semi-flexible	Flexible
Operating Temperature Range	-75°C to +165°C	-40°C to +130°C	-40°C to +100°C
Shrink Temperature (min.)	135°C	135°C	<80°C
Tensile Strength (psi)	1700	1100	1740
Elongation (% min.)	400	250	500
Long Term Heat Aging	3000 hrs, 150°C	3000 hrs, 135°C	168 hrs, 150°C
Heat Shock	4 hrs, 215°C	4 hrs, 215°C	4 hrs, 160°C
Heat Aging	168 hrs, 160°C	168 hrs, 160°C	168 hrs, 160°C
Dielectric Strength (V/mil)	300	380	10 M
Volume Resistivity (ohms-cm)	10 <sup>13</sup>	10 <sup>12</sup>	10 <sup>12</sup>
Water Absorption (%)	0.5	0.5	0.5
Flammability	Burn Time <15 sec Burn Length <25mm	Burn Time <15 sec Burn Length <25mm	Burn Time <120 sec Burn Length <25mm
RoHS Compliant	Yes	Yes	Yes
Oxygen Index (% min.)	N/A	30	N/A
Temperature Index (°C)	N/A	250	N/A
Smoke Index (max.)	N/A	20	N/A
Toxicity Index (max.)	N/A	3	N/A

\* Note: Type 9 Low-Temp Flexible Polyolefin is the standard material for the USB Shrink Boot.

#### Shrink Boot Fluid Resistance

Fluid	Type 1 High Performance Elastomer	Type 2 Zero Halogen Polyolefin
Lubricating Oil	Very good	Good
Hydraulic Fluid	Very Good	Good
Aviation Fuel	Very Good	Good
Gasoline	Very Good	Fair
De-Icing Fluid	Excellent	Very Good
Automotive Diesel	Good	Fair

#### W1 and W2 Adhesive Properties

Attribute	W1 Standard High Temperature Hot Melt Adhesive (All Boots Except USB)	W2 Standard Hot Melt Adhesive For USB Type 9 Boots Only
Boot Material Compatibility	Type 1 and 2	Type 9 Only
Continuous Operating Temp.	-65° to +125°C	-40° to +80°C
Resistance to Fuels, Oils & Fluids	Good	Good
Low Toxicity, Zero Halogen	Yes	Yes

#### Material Color Options for Type 1 High Performance Elastomer Only

Add Optional Color Mod Code to End of Any Type 1 Material Part Number

Mod Code	Color	Similar to (Reference)	Mod Code	Color	Similar to (Reference)
632 B	Blue	PANTONE 3005U	632 R	Red	PANTONE 1797U
632 E	Grey	FED-STD-595; #36270	632 T	Tan	FED-STD-595; #33446
632 G	Green	PANTONE 355U	632 W	White	FED-STD-595; #37875
632 P	Purple	FED-STD-595; #37100	632 Y	Yellow	PANTONE YELLOW U
632 O	Orange	FED-STD-595; #32300	Standard	Black	FED-STD-595; #37038

Dimensions in Inches (millimeters) are subject to change without notice.

**Series 80 Mighty Mouse  
Backshells and Accessories**  
809S060, 809A060 and 809B060 Shrink Boots



**Lipped straight shrink boots-Type 1 high performance elastomer**

- 75° C to +165° C
- Excellent resistance to fuels, oils, solvents and heat.



Boot Size	Shell Size			Part Number Pre-Coated with W1 Hi-Temp Hot-Melt Adhesive
	Series 800, 801, 802, 803, 804	Series 805	Series 811	
1	5/6	8	5	809S060-1
2	7	9	6,7	809S060-2
3	8, 9	10, 11	8,9	809S060-3
4	10, 11, 12, 13	12, 15	N/A	809S060-4
5	14, 15, 16, 17	18, 19	N/A	809S060-5
6	19, 21	23	N/A	809S060-6

**Lipped straight shrink boots- Type 2 zero halogen**

- Low Smoke, Zero Halogen
- Meets U.S. and E.U. toxicity requirements.



Boot Size	Shell Size			Part Number Pre-Coated with W1 Hi-Temp Hot-Melt Adhesive
	Series 800, 801, 802, 803, 804	Series 805	Series 811	
1	5/6	8	5	809S060-1H
2	7	9	6,7	809S060-2H
3	8, 9	10, 11	8,9	809S060-3H
4	10, 11, 12, 13	12, 15	N/A	809S060-4H
5	14, 15, 16, 17	18, 19	N/A	809S060-5H
6	19, 21	23	N/A	809S060-6H

**Lipped 90° right angle shrink boots- Type 1 high performance elastomer**

- 75° C to +165° C
- Excellent resistance to fuels, oils, solvents and heat.



Boot Size	Shell Size			Part Number Pre-Coated with W1 Hi-Temp Hot-Melt Adhesive
	Series 800, 801, 802, 803, 804	Series 805	Series 811	
1	5/6	8	5	809A060-1
2	7	9	6,7	809A060-2
3	8, 9	10, 11	8,9	809A060-3
4	10, 11, 12, 13	12, 15	N/A	809A060-4
5	14, 15, 16, 17	18, 19	N/A	809A060-5
6	19, 21	23	N/A	809A060-6

**Lipped 90° right angle shrink boots- Type 2 zero halogen**

- Low Smoke, Zero Halogen
- Meets U.S. and E.U. toxicity requirements.



Boot Size	Shell Size			Part Number Pre-Coated with W1 Hi-Temp Hot-Melt Adhesive
	Series 800, 801, 802, 803, 804	Series 805	Series 811	
1	5/6	8	5	809A060-1H
2	7	9	6,7	809A060-2H
3	8, 9	10, 11	8,9	809A060-3H
4	10, 11, 12, 13	12, 15	N/A	809A060-4H
5	14, 15, 16, 17	18, 19	N/A	809A060-5H
6	19, 21	23	N/A	809A060-6H

**Lipped 45° angle shrink boots- Type 1 high performance elastomer**

- 75° C to +165° C
- Excellent resistance to fuels, oils, solvents and heat.



Boot Size	Shell Size		Part Number Pre-Coated with W1 Hi-Temp Hot-Melt Adhesive
	Series 800, 801, 802, 803, 804	Series 805	
1	5/6	8	809B060-1
2	7	9	809B060-2
3	8, 9	10, 11	809B060-3
4	10, 11, 12, 13	12, 15	809B060-4
5	14, 15, 16, 17	18, 19	809B060-5
6	19, 21	23	809B060-6

Dimensions in Inches (millimeters) are subject to change without notice.



## Series 80 Mighty Mouse Backshells and Accessories

809B060, 809SL060 and 809SU060 Shrink Boots

### Lipped 45° angle shrink boots- Type 2 Zero halogen

- Low Smoke, Zero Halogen
- Meets U.S. and E.U. toxicity requirements.



Boot Size	Shell Size		Part Number
	Series 800, 801, 802, 803, 804	Series 805	Pre-Coated with W1 Hi-Temp Hot-Melt Adhesive
1	5/6	8	809B060-1H
2	7	9	809B060-2H
3	8, 9	10, 11	809B060-3H
4	10, 11, 12, 13	12, 15	809B060-4H
5	14, 15, 16, 17	18, 19	809B060-5H
6	19, 21	23	809B060-6H

### Lipped straight long tail shrink boots- Type 1 high performance elastomer

- 75° C to +165° C
- Excellent resistance to fuels, oils, solvents and heat.



Boot Size	Shell Size		Part Number
	Series 800, 801, 802, 803, 804	Series 805	Pre-Coated with W1 Hi-Temp Hot-Melt Adhesive
1	5/6	8	809SL060-1
2	7	9	809SL060-2
3	8/9	10/11	809SL060-3
4	10/11/12/13	12/15	809SL060-4

### Lipped straight long tail shrink boots- Type 2 zero halogen

- Low Smoke, Zero Halogen
- Meets U.S. and E.U. toxicity requirements.



Boot Size	Shell Size		Part Number
	Series 800, 801, 802, 803, 804	Series 805	Pre-Coated with W1 Hi-Temp Hot-Melt Adhesive
1	5/6	8	809SL060-1H
2	7	9	809SL060-2H
3	8/9	10/11	809SL060-3H
4	10/11/12/13	12/15	809SL060-4H

### Lipped straight USB shrink boots- Type 9 low-temp flexible polyolefin

- 40° C to +100° C
- Same excellent physical properties within a limited temperature range.



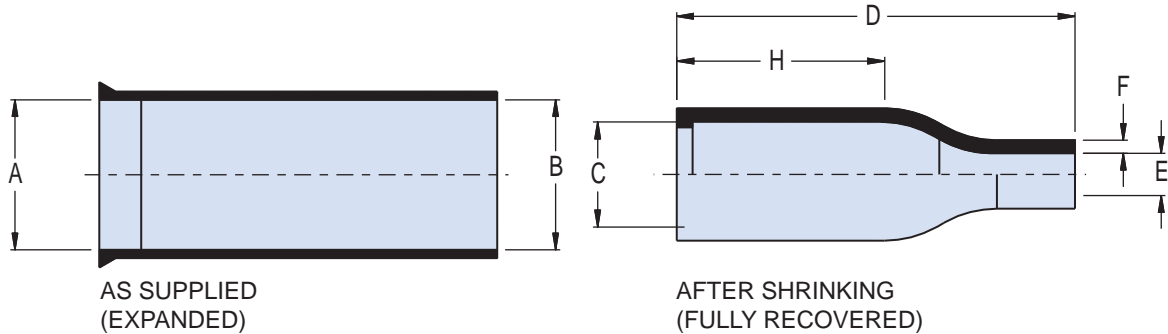
Boot Size	Shell Size	Part Number
	Series 801, 804, 805	Pre-Coated with W2 Hot-Melt Adhesive
1	7, 8	809SU060-1

Dimensions in Inches (millimeters) are subject to change without notice.

**Series 80 Mighty Mouse  
Backshells and Accessories  
809S060 and 809A060 Shrink Boots**



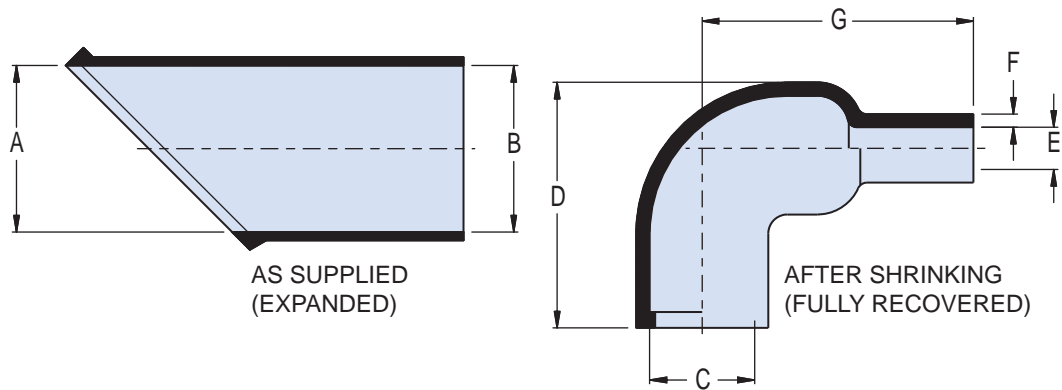
**Lipped straight shrink boots- dimensions**



Boot Size	A Min.		B Min.		C Max.		D Ref.		E Max.		F Ref.		H Ref.		Cable Range			
	In.	mm.	In.	mm.	In.	mm.	In.	mm.	In.	mm.	In.	mm.	In.	mm.	Maximum		Minimum	
															In.	mm.	In.	mm.
1	.390	9.91	.390	9.91	.260	6.60	1.370	34.80	.080	2.03	.030	0.76	.750	19.05	.230	5.84	.100	2.54
2	.669	16.99	.669	16.99	.300	7.62	1.500	38.10	.140	3.56	.032	0.81	.750	19.05	.500	12.70	.170	4.32
3	.945	24.00	.945	24.00	.390	9.91	1.500	38.1	.200	5.08	.035	0.89	.750	19.05	.800	20.32	.240	6.10
4	1.181	30.00	1.181	30.00	.550	13.97	2.170	55.12	.240	6.10	.039	0.99	1.180	29.97	1.020	25.91	.280	7.11
5	1.260	32.00	1.260	32.00	.710	18.03	2.640	67.06	.280	7.11	.039	0.99	1.300	33.02	1.120	28.45	.300	7.62
6	1.417	35.99	1.417	35.99	.900	22.86	3.150	80.01	.330	8.38	.047	1.19	1.570	39.88	1.200	30.48	.350	8.89



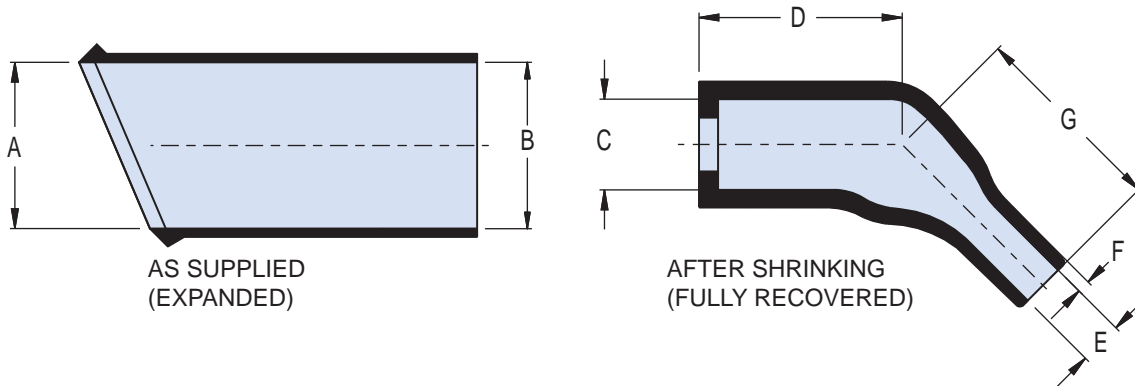
**Lipped 90° right angle shrink boots- dimensions**



Boot Size	A Min.		B Min.		C Max.		D Ref.		E Max.		F Ref.		G Ref.		Cable Range			
	In.	mm.	In.	mm.	In.	mm.	In.	mm.	In.	mm.	In.	mm.	In.	mm.	Maximum		Minimum	
															In.	mm.	In.	mm.
1	.390	9.91	.390	9.91	.260	6.60	.790	20.07	.095	2.41	.032	0.81	.750	19.05	.230	5.84	.100	2.54
2	.669	16.99	.669	16.99	.310	7.87	.790	20.07	.140	3.56	.032	0.81	.790	20.07	.500	12.70	.170	4.32
3	.945	24.00	.945	24.00	.390	9.91	.980	24.89	.200	5.08	.040	1.02	.980	24.89	.800	20.32	.240	6.10
4	1.181	30.00	1.181	30.00	.530	13.46	1.060	26.92	.220	5.59	.046	1.17	1.260	32.00	1.020	25.91	.270	6.86
5	1.260	32.00	1.260	32.00	.710	18.03	1.260	32.00	.280	7.11	.052	1.32	1.540	39.12	1.120	28.45	.300	7.62
6	1.417	35.99	1.417	35.99	.900	22.86	1.500	38.10	.330	8.38	.052	1.32	1.930	49.02	1.200	30.48	.350	8.89

Dimensions in Inches (millimeters) are subject to change without notice.

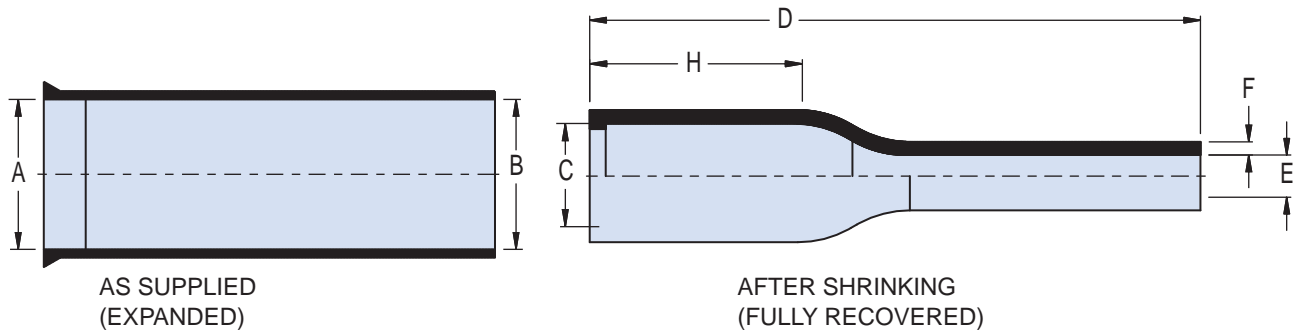
**Lipped 45° angle shrink boots- dimensions**



X

Boot Size	A Min.		B Min.		C Max.		D Ref		E Max.		F Ref.		G Ref.		Cable Range			
	In.	mm.	In.	mm.	In.	mm.	In.	mm.	In.	mm.	In.	mm.	In.	mm.	Max. In.	Max. mm.	Min. In.	Min. mm.
1	.390	9.9	.390	9.9	.260	6.60	.600	15.24	.080	2.03	.030	0.76	.560	14.22	.230	5.84	.100	2.54
2	.669	17.0	.669	17.0	.300	7.62	.640	16.26	.140	3.56	.035	0.89	.620	15.75	.500	12.70	.170	4.32
3	.945	24.0	.945	24.0	.390	9.91	.500	12.7	.160	4.06	.040	1.02	.750	19.05	.800	20.32	.240	6.10
4	1.181	30.0	1.181	30.0	.550	13.97	.748	19.00	.230	5.84	.043	1.09	1.180	29.97	1.020	25.91	.280	7.11
5	1.260	32.0	1.260	32.0	.710	18.03	.984	24.99	.280	7.11	.065	1.65	1.380	35.05	1.120	28.45	.300	7.62
6	1.417	35.99	1.417	35.99	.900	22.86	1.260	32.00	.330	8.38	.065	1.65	1.570	39.88	1.200	30.48	.350	8.89

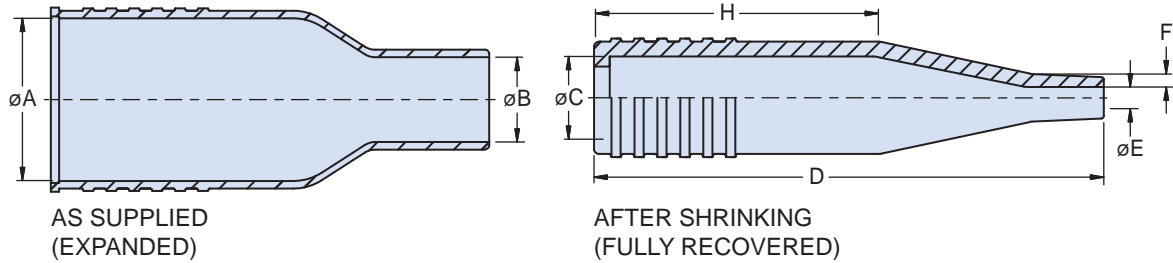
**Lipped straight long tail shrink boots- dimensions**



Boot Size	A Min.		B Min.		C Max.		D Ref		E Max.		F Ref.		H Ref.		Cable Range			
	In.	mm.	In.	mm.	In.	mm.	In.	mm.	In.	mm.	In.	mm.	In.	mm.	Max. In.	Max. mm.	Min. In.	Min. mm.
1	.390	9.9	.390	9.9	.280	7.11	2.500	63.50	.080	2.03	.045	1.14	.750	19.05	.230	5.84	.100	2.54
2	.669	17.0	.669	17.0	.310	7.87	2.500	63.50	.140	3.56	.045	1.14	.750	19.05	.500	12.70	.170	4.32
3	.945	24.0	.945	24.0	.390	9.91	2.500	63.50	.200	5.08	.045	1.14	.750	19.05	.800	20.32	.240	6.10
4	1.181	30.0	1.181	30.0	.550	13.97	3.000	76.20	.240	6.10	.045	1.14	1.180	29.97	1.020	25.91	.280	7.11

Dimensions in Inches (millimeters) are subject to change without notice.

**Lipped straight USB shrink boots- dimensions**



Boot Size	A Min.		B Min.		C Max.		D Ref		E Max.		F Ref.		H Ref.		Cable Range			
	In.	mm.	In.	mm.	In.	mm.	In.	mm.	In.	mm.	In.	mm.	In.	mm.	Max. In.	Max. mm.	Min. In.	Min. mm.
1	.550	13.97	.360	9.14	.330	8.38	2.000	50.80	.090	2.29	.055	1.40	1.130	28.70	.250	6.35	.090	2.29

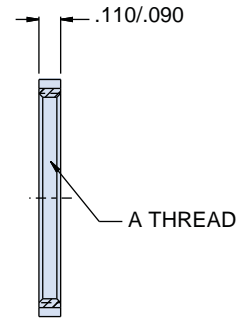
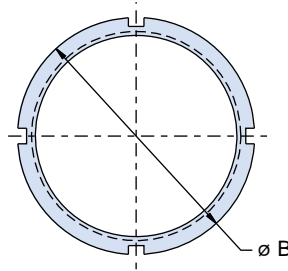


Dimensions in Inches (millimeters) are subject to change without notice.



### Jam nut for Mighty Mouse connectors

Replace lost or damaged jam nuts with these standard replacement parts. Jam nut fits all Series 80 jam nut receptacles. Use with Glenair tool 600-146



X

How To Order			
Sample Part Number	809-094	-M	7
Series (See Table I)	809-094		
Shell Material and Finish	C = Aluminum / Black Anodize (Non-Conductive) RoHS Compliant		
	M = Aluminum / Electroless Nickel		
	NF = Aluminum / Cadmium with Olive Drab		
	ZN = Aluminum / Zinc-Nickel with Olive Drab Chromate		
	Z1 = Stainless Steel / Passivated		
Dash No.	See Table I		

Dash No.	800	801	804		805	A Thread Class 2B	B Dia
			-00 style	-07 style			
1	5					.3125-28 UN-2B	0.43
2	6	5				.3750-28 UN-2B	0.50
3	7	6				.4375-28 UNEF-2B	0.56
3-3				5		.4375-32 UN-2B	0.56
4	8		5	6		.5000-32 UN-2B	0.62
5					8	.5625-28 UN-2B	0.68
5-5	9	7,8	6			.5625-32 UN-2B	0.68
6		9		7,8		.6250-28 UN-2B	0.75
6-6	10					.6250-32 UN-2B	0.75
7		10	7,8	9	9,10	.6875-28 UN-2B	0.81
8	12	11	9	10	11	.7500-28 UN-2B	0.87
9			10	11	12	.8125-28 UN-2B	0.93
10	14	13	11	12	13	.8750-28 UN-2B	1.00
11	15					.9375-28 UN-2B	1.06
12			12	14	15	1.0000-28 UN-2B	1.12
13		16	14	15		1.0625-20 UN-2B	1.18
14		17	15			1.1250-28 UN-2B	1.25
15					18	1.1875-28 UN-2B	1.31
16		19			19	1.2500-28 UN-2B	1.37
18		21			21	1.3750-28 UN-2B	1.50
20					23	1.5000-28 UN-2B	1.62

Dimensions in Inches (millimeters) are subject to change without notice.

# Series 80 Mighty Mouse Backshells and Accessories

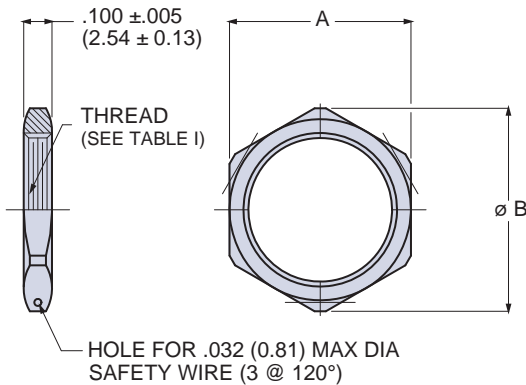
## Hex Nuts 809-035



### Hex jam nuts for Mighty Mouse receptacles



Replace low-profile spanner-style jam nuts with hex nuts for applications where jam nuts must be safety-wired to prevent loosening. These hex nuts fit all standard Series 80 jam nut receptacles except for Series 803 bayonet-coupling versions. Use Glenair Modification Code 501 to specify hex nuts to be supplied with connector.

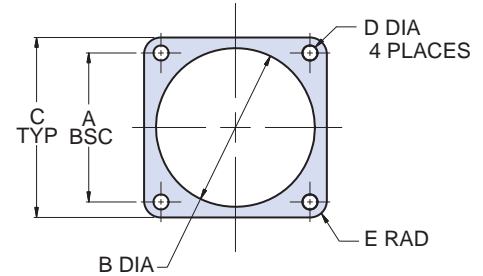
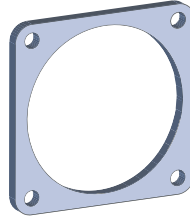


How To Order				
Sample Part Number	809-035	-M	03	W
Series (See Table I)	809-035			
Shell Material and Finish	C = Aluminum / Black Anodize (Non-Conductive) RoHS Compliant M = Aluminum / Electroless Nickel NF = Aluminum / Cadmium with Olive Drab ZN = Aluminum / Zinc-Nickel with Olive Drab Chromate Z1 = Stainless Steel / Passivated			
Dash No.	See Table			
Wire Holes	W = Wire Holes Omit for none			

Dash No	Thread Size Class 2B	Part Number						Dimensions			
		Aluminum				Stainless Steel		A Hex		B Dia.	
		Electroless Nickel	Olive Drab Cadmium	Black Zinc Nickel	Nickel-PTFE	Passivated	Black Zinc-Cobalt	In.	mm.	In.	mm.
01	.2500-32 UNEF	809-035M01W	809-035NF01W	809-035ZNU01W	809-035MT01W	809-035Z101W	809-035ZC01W	.375	9.53	.403	10.24
02	.3125-28 UN	809-035M02W	809-035NF02W	809-035ZNU02W	809-035MT02W	809-035Z102W	809-035ZC02W	.4375	11.11	.475	12.07
03	.3125-32 UNEF	809-035M03W	809-035NF03W	809-035ZNU03W	809-035MT03W	809-035Z103W	809-035ZC03W	.4375	11.11	.475	12.07
04	.3750-28 UN	809-035M04W	809-035NF04W	809-035ZNU04W	809-035MT04W	809-035Z104W	809-035ZC04W	.500	12.70	.547	13.89
05	.4375-28 UNEF	809-035M05W	809-035NF05W	809-035ZNU05W	809-035MT05W	809-035Z105W	809-035ZC05W	.5625	14.29	.620	15.75
23	.5000-32 UN	809-035M23W	809-035NF23W	809-035ZNU23W	809-035MT23W	809-035Z123W	809-035ZC23W	.625	15.88	.690	17.53
06	.5625-24 UNEF	809-035M06W	809-035NF06W	809-035ZNU06W	809-035MT06W	809-035Z106W	809-035ZC06W	.6875	17.46	.755	19.18
16	.5625-28 UN	809-035M16W	809-035NF16W	809-035ZNU16W	809-035MT16W	809-035Z116W	809-035ZC16W	.6875	17.46	.755	19.18
07	.5625-32 UN	809-035M07W	809-035NF07W	809-035ZNU07W	809-035MT07W	809-035Z107W	809-035ZC07W	.6875	17.46	.755	19.18
08	.6250-28 UN	809-035M08W	809-035NF08W	809-035ZNU08W	809-035MT08W	809-035Z108W	809-035ZC08W	.750	19.05	.830	21.08
09	.6875-28 UN	809-035M09W	809-035NF09W	809-035ZNU09W	809-035MT09W	809-035Z109W	809-035ZC09W	.8125	20.64	.898	22.81
10	.7500-28 UN	809-035M10W	809-035NF10W	809-035ZNU10W	809-035MT10W	809-035Z110W	809-035ZC10W	.875	22.23	.970	24.64
17	.8125-28 UN	809-035M17W	809-035NF17W	809-035ZNU17W	809-035MT17W	809-035Z117W	809-035ZC17W	.9375	23.81	1.030	26.16
11	.8750-28 UN	809-035M11W	809-035NF11W	809-035ZNU11W	809-035MT11W	809-035Z111W	809-035ZC11W	1.000	25.40	1.078	27.38
12	.9375-20 UNEF	809-035M12W	809-035NF12W	809-035ZNU12W	809-035MT12W	809-035Z112W	809-035ZC12W	1.0625	26.99	1.187	30.15
13	.9375-28 UN	809-035M13W	809-035NF13W	809-035ZNU13W	809-035MT13W	809-035Z113W	809-035ZC13W	1.0625	26.99	1.187	30.15
14	1.0000-28 UN	809-035M18W	809-035NF18W	809-035ZNU18W	809-035MT18W	809-035Z118W	809-035ZC18W	1.125	28.58	1.200	30.48
15	1.0625-20 UN	809-035M14W	809-035NF14W	809-035ZNU14W	809-035MT14W	809-035Z114W	809-035ZC14W	1.1875	30.16	1.264	32.11
19	1.1250-28 UN	809-035M15W	809-035NF15W	809-035ZNU15W	809-035MT15W	809-035Z115W	809-035ZC15W	1.250	31.75	1.325	33.66
20	1.1875-28 UN	809-035M19W	809-035NF19W	809-035ZNU19W	809-035MT19W	809-035Z119W	809-035ZC19W	1.3125	33.34	1.415	35.94
22	1.2500-28 UN	809-035M20W	809-035NF20W	809-035ZNU20W	809-035MT20W	809-035Z120W	809-035ZC20W	1.375	34.93	1.490	37.85
21	1.5000-28 UN	809-035M21W	809-035NF21W	809-035ZNU21W	809-035MT21W	809-035Z121W	809-035ZC21W	1.625	41.28	1.750	44.45

### Flange gaskets for series 800 mighty mouse receptacles

These flange gaskets provide sealing between square flange receptacles and the mounting panel. Choose fluorosilicone, Viton®, or conductive fluorosilicone material (Chomerics 1298 silver-filled). Gaskets are .032" (0.8) thick.

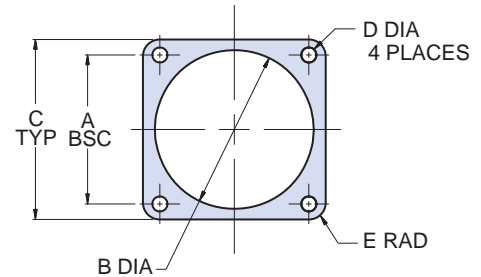
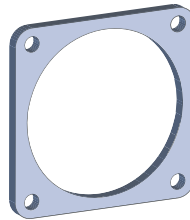


Shell Size	Part Number			Dimensions									
	Fluorosilicone	Viton®	Conductive Fluorosilicone	A Bsc.		B Dia.		C Typ.		D Dia.		E Rad.	
				In.	mm.	In.	mm.	In.	mm.	In.	mm.	In.	mm.
5	809-108F01	809-108V01	809-108X01	.363	9.22	.342	8.69	.527	13.39	.093	2.36	.078	1.98
6	809-108F02	809-108V02	809-108X02	.423	10.74	.405	10.29	.588	14.94	.093	2.36	.078	1.98
7	809-108F03	809-108V03	809-108X03	.483	12.27	.467	11.86	.650	16.51	.125	3.18	.078	1.98
8	809-108F04	809-108V04	809-108X04	.542	13.77	.530	13.46	.709	18.01	.125	3.18	.078	1.98
9	809-108F05	809-108V05	809-108X05	.719	18.26	.593	15.06	.938	23.83	.125	3.18	.105	2.67
10	809-108F06	809-108V06	809-108X06	.719	18.26	.655	16.64	.938	23.83	.125	3.18	.105	2.67
12	809-108F07	809-108V07	809-108X07	.812	20.62	.780	19.81	1.031	26.19	.125	3.18	.105	2.67

X

### Flange gaskets for series 801 mighty mouse receptacles

These flange gaskets provide sealing between square flange receptacles and the mounting panel. Choose fluorosilicone, Viton®, or conductive fluorosilicone material (Chomerics 1298 silver-filled). Gaskets are .032" (0.8) thick.



Shell Size	Part Number			Dimensions									
	Fluorosilicone	Viton®	Conductive Fluorosilicone	A Bsc.		B Dia.		C Typ.		D Dia.		E Rad.	
				In.	mm.	In.	mm.	In.	mm.	In.	mm.	In.	mm.
5	809-108F11	809-108V11	809-108X11	.363	9.22	.342	8.69	.530	13.46	.093	2.36	.078	1.98
6	809-108F12	809-108V12	809-108X12	.423	10.74	.405	10.29	.590	14.99	.093	2.36	.078	1.98
7	809-108F13	809-108V13	809-108X13	.483	12.27	.467	11.86	.650	16.51	.093	2.36	.078	1.98
8	809-108F14	809-108V14	809-108X14	.545	13.84	.530	13.46	.712	18.08	.093	2.36	.078	1.98
9	809-108F16	809-108V16	809-108X16	.607	15.42	.560	14.22	.850	21.59	.125	3.18	.105	2.67
10	809-108F15	809-108V15	809-108X15	.670	17.02	.655	16.64	.890	22.61	.125	3.18	.105	2.67
11	809-108F45	809-108V45	809-108X45	.715	18.16	.717	18.21	.935	23.75	.125	3.18	.105	2.67
13	809-108F17	809-108V17	809-108X17	.812	20.62	.842	21.39	1.030	26.16	.125	3.18	.105	2.67
16	809-108F18	809-108V18	809-108X18	.981	24.92	1.030	26.16	1.219	30.96	.125	3.18	.105	2.67
17	809-108F19	809-108V19	809-108X19	1.060	26.92	1.092	27.74	1.280	32.51	.125	3.18	.105	2.67
19	809-108F44	809-108V44	809-108X44	1.191	30.25	1.218	30.94	1.432	36.37	.125	3.18	.105	2.67
21	809-108F43	809-108V43	809-108X43	1.322	33.58	1.332	33.83	1.570	39.88	.125	3.18	.105	2.67

Dimensions in Inches (millimeters) are subject to change without notice.

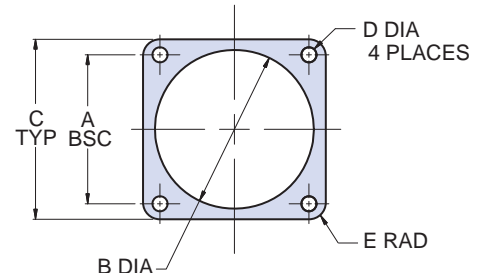
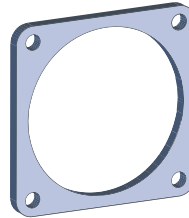
# Series 80 Mighty Mouse Backshells and Accessories

## Flange Gaskets 809-108



### Flange gaskets for Series 802 Mighty Mouse receptacles

These flange gaskets provide sealing between square flange receptacles and the mounting panel. Choose fluorosilicone, Viton, or neoprene material. Gaskets are .032" (0.8) thick.

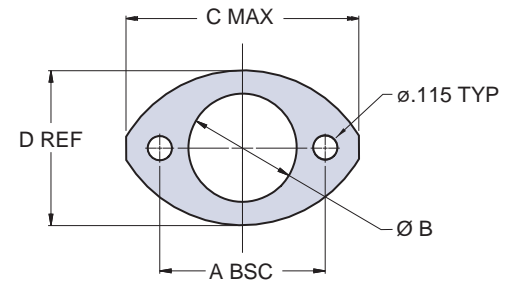
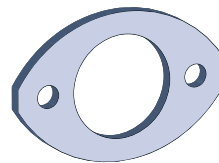


Shell Size	Part Number			Dimensions									
	Fluorosilicone	Viton®	Neoprene	A Bsc.		B Dia.		C Typ.		D Dia.		E Rad.	
				In.	mm.	In.	mm.	In.	mm.	In.	mm.	In.	mm.
5	809-108F51	809-108V51	809-108N51	.500	12.70	.448	11.38	.885	22.48	.125	3.18	.105	2.67
6	809-108F52	809-108V52	809-108N52	.625	15.88	.572	14.53	1.010	25.65	.125	3.18	.105	2.67
7	809-108F53	809-108V53	809-108N53	.688	17.48	.635	16.13	1.072	27.23	.125	3.18	.105	2.67
8	809-108F54	809-108V54	809-108N54	.750	19.05	.698	17.73	1.135	28.83	.125	3.18	.105	2.67
9	809-108F55	809-108V55	809-108N55	.812	20.62	.760	19.30	1.195	30.35	.125	3.18	.105	2.67
10	809-108F56	809-108V56	809-108N56	.875	22.23	.822	20.88	1.260	32.00	.125	3.18	.105	2.67
12	809-108F57	809-108V57	809-108N57	.938	23.83	.885	22.48	1.323	33.60	.125	3.18	.105	2.67
14	809-108F58	809-108V58	809-108N58	1.125	28.58	1.072	27.23	1.510	38.35	.125	3.18	.105	2.67
15	809-108F59	809-108V59	809-108N59	1.188	30.18	1.135	28.83	1.573	39.95	.125	3.18	.105	2.67
21	809-108F60	809-108V60	809-108N60	1.375	34.93	1.448	36.78	1.760	44.70	.125	3.18	.105	2.67



### Flange gaskets for Series 803 Mighty Mouse receptacles

These flange gaskets provide sealing between elliptical flange receptacles and the mounting panel. Choose fluorosilicone, Viton®, or conductive fluorosilicone material (Chomerics 1298 silver-filled). Gaskets are .032" (0.8) thick.

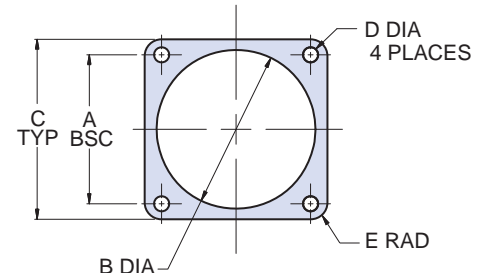
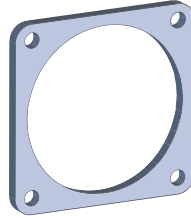


Shell Size	Part Number			Dimensions							
	Fluorosilicone	Viton®	Conductive Fluorosilicone	A Bsc.		B Dia.		C Max.		D Ref.	
				In.	mm.	In.	mm.	In.	mm.	In.	mm.
5	809-108F31	809-108V31	809-108X31	.513	13.03	.345	8.00	.710	18.03	.460	11.68
6	809-108F32	809-108V32	809-108X32	.598	15.19	.405	10.29	.795	20.19	.522	13.26
7	809-108F33	809-108V33	809-108X33	.708	17.98	.475	12.07	.900	22.86	.590	14.99
8	809-108F34	809-108V34	809-108X34	.964	24.51	.545	13.84	1.160	29.46	.670	17.02
9	809-108F35	809-108V35	809-108X35	1.017	25.83	.605	15.37	1.215	30.86	.721	18.31
10	809-108F36	809-108V36	809-108X36	1.101	37.97	.682	17.32	1.295	32.89	.795	20.19
12	809-108F37	809-108V37	809-108X37	1.204	30.58	.757	19.23	1.400	35.56	.874	22.20
14	809-108F38	809-108V38	809-108X38	1.280	32.51	.910	23.11	1.555	39.50	1.050	26.67
15	809-108F39	809-108V39	809-108X39	1.370	34.80	.970	24.64	1.640	41.66	1.150	29.21

Dimensions in Inches (millimeters) are subject to change without notice.

### Flange gaskets for Series 805 Mighty Mouse receptacles

These flange gaskets provide sealing between square flange receptacles and the mounting panel. Choose fluorosilicone, Viton®, or conductive fluorosilicone material (Chomerics 1298 silver-filled). Gaskets are .032" (0.8) thick.



Shell Size	Part Number			Dimensions									
	Fluorosilicone	Viton®	Conductive Fluorosilicone	A Bsc.		B Dia.		C Typ.		D Dia.		E Rad.	
				In.	mm.	In.	mm.	In.	mm.	In.	mm.	In.	mm.
8	809-108F20	809-108V20	809-108X20	.660	16.76	.530	13.46	.850	21.59	.093	2.36	.078	1.98
9	809-108F21	809-108V21	809-108X21	.723	18.36	.590	14.99	.913	23.19	.093	2.36	.078	1.98
10	809-108F22	809-108V22	809-108X22	.785	19.94	.660	16.76	.975	24.77	.093	2.36	.078	1.98
11	809-108F23	809-108V23	809-108X23	.848	21.54	.720	18.29	1.039	26.39	.093	2.36	.078	1.98
12	809-108F24	809-108V24	809-108X24	.909	23.09	.780	19.81	1.099	27.91	.093	2.36	.078	1.98
13	809-108F29	809-108V29	809-108X29	.973	24.71	.842	21.39	1.163	29.54	.093	2.36	.078	1.98
15	809-108F25	809-108V25	809-108X25	1.058	26.87	.970	24.64	1.288	32.72	.125	3.18	.105	2.67
18	809-108F26	809-108V26	809-108X26	1.255	31.88	1.160	29.46	1.475	37.47	.125	3.18	.105	2.67
19	809-108F27	809-108V27	809-108X27	1.327	33.71	1.220	30.99	1.537	39.04	.125	3.18	.105	2.67
21	809-108F30	809-108V30	809-108X30	1.452	36	1.342	34.09	1.663	42.24	.125	3.18	.105	2.67
23	809-108F28	809-108V28	809-108X28	1.570	39.88	1.458	37.03	1.797	45.64	.125	3.18	.105	2.67

X

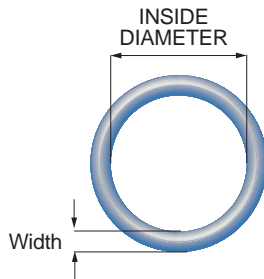
Dimensions in Inches (millimeters) are subject to change without notice.

# Series 80 Mighty Mouse Replacement O-Rings For Jam Nut Receptacles



## 800 and 801 Replacement O-rings for Mighty Mouse jam nut receptacles

Replace lost or damaged O-rings with standard fluorosilicone O-rings. Or, choose EPDM O-rings for improved resistance to hydraulic fluids. Upgrade to silver-filled conductive O-rings for improved EMI protection.



### O-rings for Series 800 Jam Nut Receptacles

Shell Size	Part Number				Dimensions			
	Fluoro-silicone	EPDM	Conductive Silicone Cho-Seal 1285	Conductive Fluorosilicone Cho-Seal 1298	Inside Diameter		Width	
					In.	mm.	In.	mm.
-05	809-067-05F	809-067-05E	249-003-800-05-B	249-003-800-05-C	.364	9.25	.045	1.14
-06	809-067-06F	809-067-06E	249-003-800-06-B	249-003-800-06-C	.426	10.82	.050	1.27
-07	809-067-07F	809-067-07E	249-003-800-07-B	249-003-800-07-C	.489	12.42	.055	1.40
-08	809-067-08F	809-067-08E	249-003-800-08-B	249-003-800-08-C	.588	14.94	.051	1.30
-09	809-067-09F	809-067-09E	249-003-800-09-B	249-003-800-09-C	.614	15.60	.070	1.78
-10	809-067-10F	809-067-10E	249-003-800-10-B	249-003-800-10-C	.709	18.01	.079	2.01
-12	809-067-12F	809-067-12E	249-003-800-12-B	249-003-800-12-C	.801	20.35	.070	1.78
-14	809-067-14F	809-067-14E	249-003-800-14-B	249-003-800-14-C	.926	23.52	.070	1.78
-15	809-067-15F	809-067-15E	249-003-800-15-B	249-003-800-15-C	.989	25.12	.070	1.78

### O-rings for Series 801 Jam Nut Receptacles

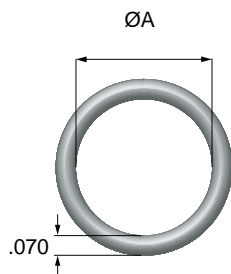
Shell Size	Part Number				Dimensions			
	Fluoro-silicone	EPDM	Conductive Silicone Cho-Seal 1285	Conductive Fluorosilicone Cho-Seal 1298	Inside Diameter		Width	
					In.	mm.	In.	mm.
-05	809-054-05F	809-054-05E	249-003-801-05-B	249-003-801-05-C	.394	10.01	.047	1.19
-06	809-054-06F	809-054-06E	249-003-801-06-B	249-003-801-06-C	.459	11.66	.049	1.24
-07	809-054-07F	809-054-07E	249-003-801-07-B	249-003-801-07-C	.578	14.68	.040	1.02
-08	809-054-08F	809-054-08E	249-003-801-08-B	249-003-801-08-C	.578	14.68	.040	1.02
-09	809-054-09F	809-054-09E	249-003-801-09-B	249-003-801-09-C	.650	16.51	.045	1.14
-10	809-054-10F	809-054-10E	249-003-801-10-B	249-003-801-10-C	.709	18.01	.049 (non-cond.) .043 (conductive)	1.24 1.09
-11	809-054-11F	809-054-11E	N/A	N/A	.780	19.81	.047	1.19
-13	809-054-13F	809-054-13E	249-003-801-13-B	249-003-801-13-C	.894	22.71	.047	1.19
-14	809-054-14F	809-054-14E	N/A	N/A	.945	24.00	.047	1.19
-15	809-054-15F	809-054-15E	N/A	N/A	1.024	26.01	.047	1.19
-16	809-054-16F	809-054-16E	249-003-801-16-B	249-003-801-16-C	1.086	27.58	.040	1.02
-17	809-054-17F	809-054-17E	249-003-801-17-B	249-003-801-17-C	1.142	29.01	.043	1.09
-18	809-054-18F	809-054-18E	N/A	N/A	1.201	30.51	.047	1.19
-19	809-054-19F	809-054-19E	N/A	N/A	1.257	31.93	.047	1.19
-21	809-054-21F	809-054-21E	249-003-801-21-B	249-003-801-21-C	1.417	35.99	.047	1.19
-23	809-054-23F	809-054-23E	249-003-801-23-B	249-003-801-23-C	1.530	38.86	.047	1.19

Dimensions in Inches (millimeters) are subject to change without notice.



## 802 Replacement O-rings for Mighty Mouse receptacles

These Viton® O-rings fit Series 802 "AquaMouse" rear panel mount jam nut connector flanges.

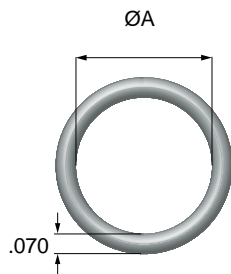


### Flange O-rings for Series 802 Jam Nut and Square Flange Receptacles

Shell Size	Jam Nut Flange Style				Square Flange Style			
	Part Number Viton®	O-Ring Size	Ø A Inside Dia.		Part Number Viton®	O-Ring Size	Ø A Inside Dia.	
			In.	mm.			In.	mm.
-05	809-165-05	2-015	.551	14.00	809-165-35	2-012	.364	9.25
-06	809-165-06	2-017	.676	17.17	809-165-36	2-014	.489	12.42
-07	809-165-07	2-018	.739	18.77	809-165-37	2-015	.551	14.00
-08	809-165-08	2-019	.801	20.35	809-165-38	2-016	.614	15.60
-09	809-165-09	2-020	.864	21.95	809-165-39	2-017	.676	17.17
-10	809-165-10	2-021	.926	23.52	809-165-40	2-018	.739	18.77
-12	809-165-12	2-022	.989	25.12	809-165-42	2-019	.801	20.35
-14	809-165-14	2-025	1.176	29.87	809-165-44	2-022	.989	25.12
-15	809-165-15	2-026	1.239	31.47	809-165-45	2-023	1.051	26.70
-21	809-165-21	2-030	1.614	41.00	809-165-51	2-028	1.364	34.65

X

These Viton® Piston O-rings fit Series 802 "AquaMouse".

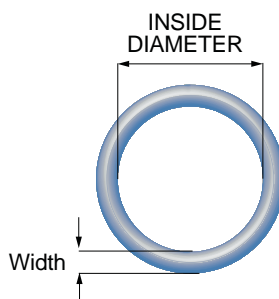


### Piston O-rings for Series 802

Shell Size	Part Number Viton®	O-Ring ID x Width Dimensions		Shell Size	Part Number Viton®	O-Ring ID x Width Dimensions	
		In.	mm.			In.	mm.
-05	809-209-05	.208 x .070	5.28 x 1.78	10	809-209-10	.551 x .070	14.00 x 1.78
-06	809-209-06	.270 x .070	6.86 x 1.78	12	809-209-12	.614 x .070	15.60 x 1.78
-07	809-209-07	.364 x .070	9.24 x 1.78	14	809-209-14	.801 x .070	20.34 x 1.78
-08	809-209-08	.384 x .070	9.75 x 1.78	15	809-209-15	.864 x .070	21.94 x 1.78
-09	809-209-09	.489 x .070	12.42 x 1.78	21	809-209-21	1.051 x .070	26.70 x 1.78

## 803 Replacement O-rings for Mighty Mouse jam nut receptacles

Replace lost or damaged O-rings with standard fluorosilicone O-rings. Or, choose EPDM O-rings for improved resistance to hydraulic fluids.



### O-rings for Series 803 Jam Nut Receptacles

Shell Size	Part Number		Dimensions			
	Fluoro-silicone	EPDM	Inside Diameter		Width	
			In.	mm.	In.	mm.
-05	809-189-05F	809-189-05E	.394	10.01	.047	1.19
-06	809-189-06F	809-189-06E	.459	11.66	.049	1.24
-07	809-189-07F	809-189-07E	.578	14.68	.040	1.02
-08	809-189-08F	809-189-08E	.650	16.51	.045	1.14
-09	809-189-09F	809-189-09E	.650	16.51	.045	1.14
-10	809-189-10F	809-189-10E	.780	19.81	.047	1.19
-12	809-189-12F	809-189-12E	.894	22.71	.047	1.19
-14	809-189-14F	809-189-14E	1.086	27.58	.040	1.02
-15	809-189-15F	809-189-15E	1.142	29.01	.043	1.09

Dimensions in Inches (millimeters) are subject to change without notice.

# Series 80 Mighty Mouse Replacement O-Rings

For Jam Nut and Square Flange Receptacles

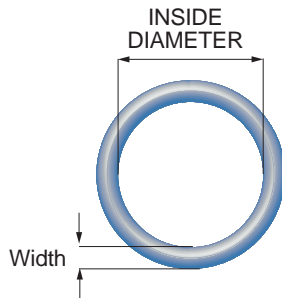


## 804 and 805 O-Rings for Mighty Mouse jam nut receptacles

Replace lost or damaged O-rings with standard fluorosilicone O-rings. Or, choose EPDM o-rings for improved resistance to hydraulic fluids. Upgrade to silver-filled conductive O-rings for improved EMI protection.

### O-rings for Series 804 Jam Nut Receptacles (Style 07)

Shell Size	Part Number				Dimensions			
	Fluoro-silicone	EPDM	Conductive Silicone Cho-Seal 1285	Conductive Fluorosilicone Cho-Seal 1298	Inside Diameter		Width	
					In.	mm.	In.	mm.
05	809-055-05F	809-055-05E	249-003-804-05-B	249-003-804-05-C	.505	12.83	.070	1.78
06	809-055-06F	809-055-06E	249-003-804-06-B	249-003-804-06-C	.525	13.34	.071	1.80
07	809-055-07F	809-055-07E	249-003-804-07-B	249-003-804-07-C	.638	16.21	.073	1.85
08	809-055-08F	809-055-08E	249-003-804-08-B	249-003-804-08-C	.688	17.48	.070	1.78
09	809-055-09F	809-055-09E	249-003-804-09-B	249-003-804-09-C	.750	19.05	.070	1.78
10	809-055-10F	809-055-10E	249-003-804-10-B	249-003-804-10-C	.813	20.65	.063	1.60
11	809-055-11F	809-055-11E	249-003-804-11-B	249-003-804-11-C	.864	21.95	.070	1.78
12	809-055-12F	809-055-12E	249-003-804-12-B	249-003-804-12-C	.943	23.95	.070	1.78
14	809-055-14F	809-055-14E	249-003-804-14-B	249-003-804-14-C	1.061	26.95	.073	1.85
15	809-055-15F	809-055-15E	249-003-804-15-B	249-003-804-15-C	1.114	28.30	.070	1.78



### O-rings for Series 805 Jam Nut Receptacles

Shell Size	Part Number				Dimensions			
	Fluoro-silicone	EPDM	Conductive Silicone Cho-Seal 1285	Conductive Fluorosilicone Cho-Seal 1298	Inside Diameter		Width	
					In.	mm.	In.	mm.
08	809-150-08F	809-150-08E	249-003-805-08-B	249-003-805-08-C	.578	14.68	.040	1.02
09	809-150-09F	809-150-09E	249-003-805-09-B	249-003-805-09-C	.709	18.01	.045	1.14
10	809-150-10F	809-150-10E	249-003-805-10-B	249-003-805-10-C	.709	18.01	.049 (non-cond.) .045 (conductive)	1.24 1.14
11	809-150-11F	809-150-11E	249-003-805-11-B	249-003-805-11-C	.780	19.81	.047	1.19
12	809-150-12F	809-150-12E	249-003-805-12-B	249-003-805-12-C	.894	22.71	.047	1.19
13	809-150-13F	809-150-13E	249-003-805-13-B	249-003-805-13-C	.945	24.00	.047	1.19
15	809-150-15F	809-150-15E	249-003-805-15-B	249-003-805-15-C	1.024	26.01	.047	1.19
18	809-150-18F	809-150-18E	249-003-805-18-B	249-003-805-18-C	1.201	30.51	.047	1.19
19	809-150-19F	809-150-19E	249-003-805-19-B	249-003-805-19-C	1.257	31.93	.047	1.19
21	809-150-21F	809-150-19E	249-003-805-21-B	249-003-805-21-C	1.417	35.99	.047	1.19
23	809-150-23F	809-150-23E	249-003-805-23-B	249-003-805-23-C	1.530	38.86	.047	1.19

Dimensions in Inches (millimeters) are subject to change without notice.



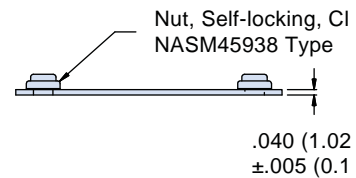
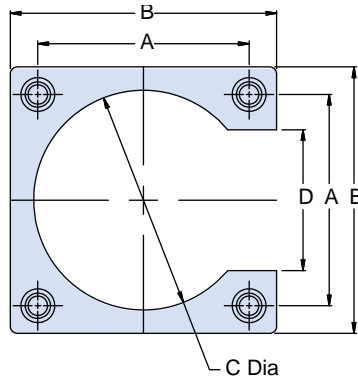




# Series 800 Mighty Mouse Mounting Flange with Standard or Metric Threads 809-199 and 809-303 Ordering Information



How To Order			
<b>Sample Part Number</b>	<b>809-199</b>	<b>-10</b>	<b>EAP</b>
<b>Series</b>	<b>809-199</b> = Mounting Flange with standard threads <b>809-303</b> = Mounting Flange with metric threads		
<b>Dash No.</b>	<b>1 thru 22</b>		
<b>Shell Material/Finish</b>	Mounting Flange: Aluminum Alloy    Clinch Nuts: Cres/Passivate Omit for Chem Film per MIL-C-5541 EAP - Polyamide Primer per MIL-PRF-23377		



X

Dimensions														
Dash No	800 shell Size	801 Shell Size	802 Shell Size	805 Shell Size	A ± .005		B ± .010		C ± .010		D ± .010		809-199 Thread Size	809-303 Thread Size
					in	mm	in	mm	in	mm	in	mm		
1			5		.500	12.70	.780	19.81	.400	10.16	.220	5.59	4-40	M3 X .5
2			6		.625	15.88	.905	22.99	.600	15.24	.345	8.76	4-40	M3 X .5
3				8	.660	16.76	.880	22.35	.700	17.78	.440	11.18	2-56	M2 X .4
4			7		.688	17.48	.968	24.59	.680	17.27	.408	10.36	4-40	M3 X .5
5	9,10				.720	18.29	1.000	25.40	.728	18.49	.440	11.18	4-40	M3 X .5
6				9	.720	18.29	.940	23.88	.728	18.49	.440	11.18	2-56	M2 X .4
7			8		.750	19.05	1.030	26.16	.770	19.56	.470	11.94	4-40	M3 X .5
8				10	.785	19.94	1.005	25.53	.805	20.45	.565	14.35	2-56	M2 X .4
9	12	13	9		.812	20.62	1.092	27.74	.860	21.84	.532	13.51	4-40	M3 X .5
10				11	.848	21.54	1.068	27.13	.868	22.05	.628	15.95	2-56	M2 X .4
11			10		.875	22.23	1.155	29.34	.946	24.03	.595	15.11	4-40	M3 X .5
12	14				.909	23.09	1.189	30.20	.955	24.26	.629	15.98	4-40	M3 X .5
13				12	.909	23.09	1.129	28.68	.909	23.09	.629	15.98	2-56	M2 X .4
14			12		.938	23.83	1.218	30.94	1.018	25.86	.658	16.71	4-40	M3 X .5
15	15				.969	24.61	1.249	31.72	1.049	26.64	.689	17.50	4-40	M3 X .5
16		16			.981	24.92	1.261	32.03	1.061	26.95	.701	17.81	4-40	M3 X .5
17		17		15	1.060	26.92	1.340	34.04	1.140	28.96	.780	19.81	4-40	M3 X .5
18			14		1.125	28.58	1.405	35.69	1.205	30.61	.845	21.46	4-40	M3 X .5
19		19*	15		1.188	30.18	1.468	37.29	1.268	32.21	.908	23.06	4-40	M3 X .5
20				18	1.255	31.88	1.535	38.99	1.335	33.91	.975	24.77	4-40	M3 X .5
21		21*		19	1.327	33.71	1.607	40.82	1.407	35.74	1.047	26.59	4-40	M3 X .5
22				23	1.570	39.88	1.850	46.99	1.650	41.91	1.290	32.77	4-40	M3 X .5

\* Available for 809-199 only

Dimensions in Inches (millimeters) are subject to change without notice.

# Series 80 Mighty Mouse Straight Shorting Cap with Attachment 340MS026 Ordering Information



**Shorting Applications** — These caps are used to cover up exposed wires on the back of a shorting connector. Shorting connectors are used to protect critical circuits from static discharge.

Plugs can also re-route circuits in Switching applications. Or, resistors and active electronics can be installed. Whatever the application, a shorting cap is a simple way to cover up the back end of the connector.

Table I: Overall Length	
-4 - .50 (12.7)	-10 - 2.00 (50.8)
-5 - .75 (19.1)	-11 - 2.25 (57.2)
-6 - 1.00 (25.4)	-12 - 2.50 (63.5)
-7 - 1.25 (31.8)	-13 - 2.75 (69.9)
-8 - 1.50 (38.1)	-14 - 3.00 (76.2)
-9 - 1.75 (44.5)	

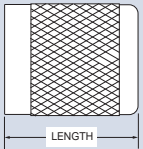
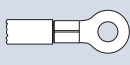
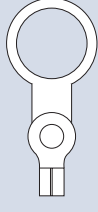


Table II: Attachment Code	
Omit for attachment types <b>N</b> (No Attachment) and <b>SK</b> (Slip Knot)	
 Small Ring	<b>01</b> - .126 (3.20) I.D. <b>02</b> - .145 (3.68) I.D. <b>04</b> - .188 (4.78) I.D. <b>06</b> - .197 (5.00) I.D.
 Large Solid Ring	<b>14</b> - .385 (9.78) I.D. <b>15</b> - .445 (11.30) I.D. <b>16</b> - .570 (14.48) I.D. <b>17</b> - .635 (16.13) I.D. <b>18</b> - .695 (17.65) I.D. <b>19</b> - .885 (22.48) I.D. <b>20</b> - 1.070 (27.17) I.D. <b>21</b> - 1.135 (28.83) I.D. <b>22</b> - 1.210 (30.73) I.D.

## NOTES

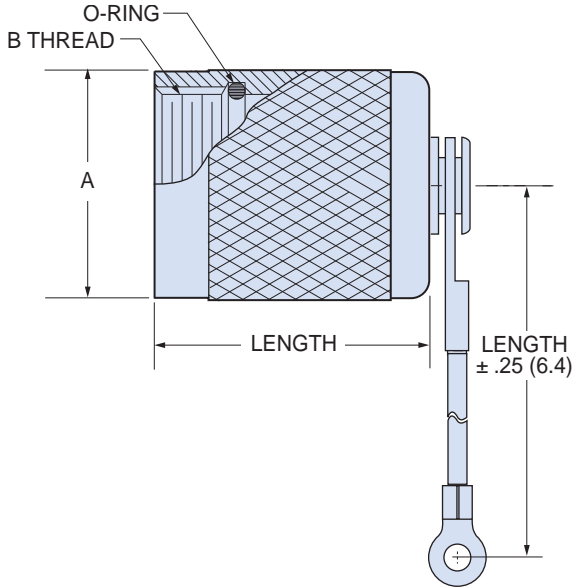
### Materials

- Cap: Aluminum Alloy 6061-T6 or 300 Series Stainless Steel
- O-Ring: Silicone Rubber
- Hardware: 300 Series Stainless Steel

How To Order							
<b>Sample Part Number</b>	<b>340MS026</b>	<b>M</b>	<b>G</b>	<b>07</b>	<b>-4</b>	<b>02</b>	<b>-6</b>
<b>Series</b>	<b>340MS026</b> = Straight Shorting Cap Backshell						
<b>Shell Material and Finish</b>	<b>C</b> = Aluminum / Black Anodize (Non-Conductive) RoHS Compliant <b>M</b> = Aluminum / Electroless Nickel <b>NF</b> = Aluminum / Cadmium with Olive Drab <b>ZN</b> = Aluminum / Zinc-Nickel with Olive Drab Chromate <b>ZNU</b> = Aluminum / Zinc-Nickel with Black Chromate <b>MT</b> = Aluminum / Nickel-PTFE <b>Z1</b> = Stainless Steel / Passivated						
<b>Attachment Type</b>	<b>G</b> = Nylon Rope <b>H</b> = SST Wire Rope, Teflon® Jacket <b>N</b> = No Attachment <b>S</b> = SST Sash Chain <b>SK</b> = Nylon Rope With Slip Knot <b>U</b> = SST Wire Rope, Polyurethane Jacket						
<b>Size Code</b>	<b>05, 06, 11, 07, 08, 09, 10, 12, 13, 14, 16, 17</b>						
<b>Overall Length (See Table I)</b>	<b>-4, -5, -7, -8, -9, -10, -11, -12, -13, -14</b>						
<b>Attachment Code (See Table II)</b>	Omit for attachment Type N (No Attachment)						
	<b>Small Ring</b>	<b>Large Solid Ring</b>					
	<b>01, 02, 04, 06</b>	<b>14, 15, 16, 17, 18, 19, 20, 21, 22</b>					
<b>Attachment Length in Inches</b>	Omit for attachment Type N (No Attachment) Example: " <b>-6</b> " equals six inch length						

X

Dimensions in Inches (millimeters) are subject to change without notice.



X

### Attachment Options

Dia. Code	Ring I.D.		Ring O.D.	
	In.	mm.	In.	mm.
	±.005	±0.13	Max.	Max.
<b>01</b>	.126	3.20	.31	7.9
<b>02</b>	.145	3.68	.31	7.9
<b>04</b>	.188	4.78	.31	7.9
<b>06</b>	.197	5.00	.31	7.9

Small Ring for Attaching to a Panel with a Screw

Dia. Code	Ring I.D.		Ring O.D.	
	In.	mm.	In.	mm.
	± .010	±0.25	± .015	± 0.38
<b>14</b>	.385	9.78	.510	12.95
<b>15</b>	.445	11.30	.565	14.35
<b>16</b>	.570	14.48	.685	17.40
<b>17</b>	.635	16.13	.760	19.30
<b>18</b>	.695	17.65	.820	20.82
<b>19</b>	.885	22.48	1.010	25.65
<b>20</b>	1.070	27.17	1.195	30.35
<b>21</b>	1.135	28.83	1.250	31.75
<b>22</b>	1.210	30.73	1.312	33.32

Large Solid Ring for Attaching to a Jam Nut Receptacle

Nylon Rope With Slip Knot (SK) for Attaching Covers to Cable

-65° to +100°C., black, very flexible, very good abrasion resistance, good resistance to fuels, .120" (3mm) diameter. Length includes .5" (13mm) diameter loop.

### Dimensions

Size Code	Shell Size Reference		Ø A Max.		B Threads
	800/801 803/804	805	In.	mm.	
<b>05</b>	5	N/A	.350	8.89	.250-32 UNEF-2B
<b>06</b>	6	N/A	.415	10.54	.3125-32 UNEF-2B
<b>11</b>	N/A	8	.465	11.81	.3750-32 UNEF-2B
<b>07</b>	7	9	.530	13.46	.4375-28 UNEF-2B
<b>08</b>	8	10	.595	14.35	.5000-28 UNEF-2B
<b>09</b>	9	11	.650	16.51	.5625-24 UNEF-2B
<b>10</b>	10	12	.715	18.16	.6250-24 UNEF-2B
<b>12</b>	11/12/13	13	.785	19.94	.6875-24 UNEF-2B
<b>13</b>	N/A	15	.830	21.08	.7500-20 UNEF-2B
<b>14</b>	14/15/16/17	18/19	1.020	25.91	.9375-20 UNEF-2B
<b>16</b>	19	21	1.155	29.34	1.0625-18 UNEF-2B
<b>17</b>	21	23	1.270	32.26	1.1875-18 UNEF-2B

### Lanyard Options

<b>Nylon Rope (G)</b>	-65° to +100°C., black, very flexible, very good abrasion resistance, good resistance to fuels, .120" (3mm) diameter
<b>Polyurethane Coated Wire Rope (U)</b>	Black polyurethane over stainless steel rope, -65° to +125°C., very flexible, excellent abrasion resistance, excellent resistance to fuels, .080" (2mm) diameter
<b>Teflon Jacketed Wire Rope (H)</b>	Translucent FEP jacket over stainless steel, -65° to +200°C., fair flexibility, good abrasion resistance, .100" diameter
<b>Sash Chain (S)</b>	Stainless steel, #8 chain, .240" (6mm)

Dimensions in Inches (millimeters) are subject to change without notice.

# Series 80 Mighty Mouse Shorting Cap with Rotatable Coupling and Attachment 340MS001 Ordering Information



**Shorting Applications** — These caps are used to cover up exposed wires on the back of a shorting connector. Shorting connectors are used to protect critical circuits from static discharge.

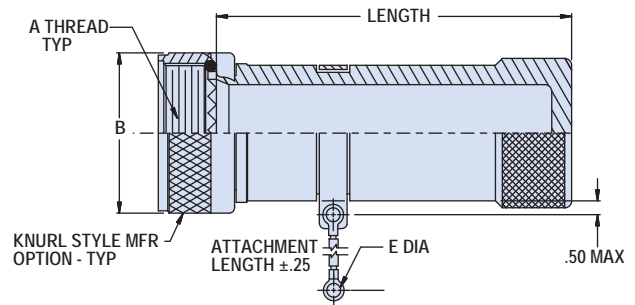
These extended plugs can also re-route circuits in **Switching** applications like our smaller plugs, but accommodate the need for additional resistors and active electronics when needed.

How To Order	
<b>Sample Part Number</b>	<b>340MS001 M 12 -5 E A</b>
<b>Series</b>	<b>340MS001</b> Straight Backshell and Shorting Cap
<b>Shell Material and Finish</b>	<b>C</b> = Aluminum / Black Anodize (Non-Conductive) RoHS Compliant <b>M</b> = Aluminum / Electroless Nickel <b>NF</b> = Aluminum / Cadmium with Olive Drab <b>ZN</b> = Aluminum / Zinc-Nickel with Olive Drab Chromate <b>ZNU</b> = Aluminum / Zinc-Nickel with Black Chromate <b>Z1</b> = Stainless Steel / Passivated
<b>Size Code (See Table II)</b>	<b>05, 06, 07, 08, 09, 10, 12, 13, 14, 16, 17</b>
<b>Length</b>	Length in .5 inch increments. Example: 6 = 3.0 inches Standard minimum length is 1.00 inch (dash code -2)
<b>Attachment Sym</b>	See Table I
<b>Attachment Length</b>	Length in .5 inch increments. Example: 6 = 3.0 inches
<b>Att. Ring Dia.</b>	See Table III

Table I: Attachment Sym	
Sym	Description
<b>C</b>	No Attachment, Body Strap Only
<b>D</b>	Bead Chain, Cres/Passivate, with Terminal
<b>E</b>	Link Chain, Cres/Passivate, with Reverse Link
<b>F</b>	Wire Rope, Nylon Jacket with Terminal
<b>G</b>	Nylon Rope, with Terminal
<b>H</b>	SST Wire Rope, Teflon® Jacket
<b>N</b>	Attachment Omitted
<b>R</b>	Wire Rope, Teflon Jacket, with Terminal
<b>S</b>	#8 Sash Chain, Cres/Passivate
<b>U</b>	SST Wire Rope, Polyurethane Jacket

Size Code	Shell Size Reference		A Thread Class -2B	Ø B Max	
	800/801 803/804	805		In.	mm.
05	5	N/A	1/4-32 UNEF	0.470	11.94
06	6	N/A	5/16-32 UNEF	0.530	13.46
11	N/A	8	3/8-32 UNEF	0.570	14.48
07	7	9	7/16-28 UNEF	0.637	16.18
08	8	10	1/2-28 UNEF	0.700	17.78
09	9	11	9/16-24 UNEF	0.758	19.25
10	10	12	5/8-24 UNEF	0.819	20.80
12	11/12/13	13	11/16-24 UNEF	0.896	22.76
13	N/A	15	3/4-20 UNEF	0.930	23.62
14	14/15/16/17	18/19	15/16-20 UNEF	1.137	28.88
16	19	21	1 1/16-18 UNEF	1.230	31.24
17	21	23	1 3/16-18 UNEF	1.387	35.23

Table III: Attachment Ring Diameter			
Symbol	E Dia.	Symbol	E Dia.
<b>A</b>	.140	<b>D</b>	.191
<b>B</b>	.167	<b>E</b>	.125
<b>C</b>	.182	<b>F</b>	.218



Dimensions in Inches (millimeters) are subject to change without notice.

## Series 80 Mighty Mouse Direct or Rotatable Coupling Strain Relief Clamp

### 620MS064 & 620M\*065 Straight, 45° and 90° Ordering Information



These clamps provide strain relief to open wire bundles. Add tubing or tape to build up smaller diameter wires to fit the clamps.

Straight Entry clamps are available with rotatable coupling or save space with lower profile direct coupling versions.

#### How To Order

Sample Part Number	620MS064	M	07
<b>Series (See Table I)</b>	620MS064 = Straight Direct Coupling 620MS065 = Straight Rotatable Coupling 620MB065 = 45° Direct Coupling 620MA065 = 90° Direct Coupling		
<b>Shell Material and Finish</b>	C = Aluminum / Black Anodize (Non-Conductive) RoHS Compliant M = Aluminum / Electroless Nickel NF = Aluminum / Cadmium with Olive Drab ZN = Aluminum / Zinc-Nickel with Olive Drab Chromate ZNU = Aluminum / Zinc-Nickel with Black Chromate MT = Aluminum / Nickel-PTFE Z1 = Stainless Steel / Passivated		
<b>Size Code (See Table II)</b>	05, 06, 11, 07, 08, 09, 10, 12, 13, 14, 15, 16, 17		

X

#### Table I: Cover Style

<b>620MS065</b> Rotatable Coupling	<b>620MS064</b> Direct Coupling

#### NOTES

##### Materials

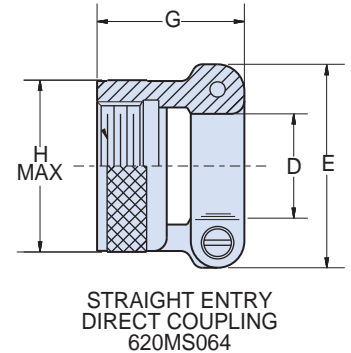
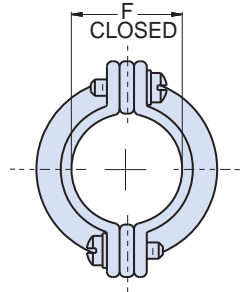
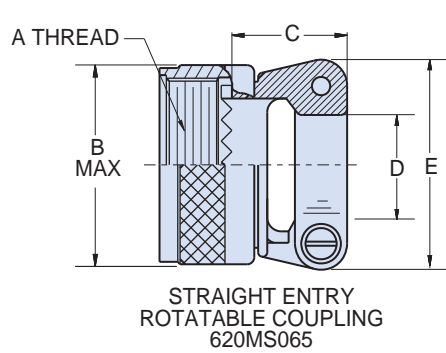
- Coupling Nut, Clamp, and Saddles:  
Aluminum Alloy 6061-T6 or 300 Series SST
- Hardware: 300 Series Stainless Steel

#### Table II: Size Codes

Size Code	Shell Size Ref		Thread Size Class-2B	Cable Entry Diameter
	Series 800, 801 803, 804	Series 805		
05	5	N/A	.2500-32 UNEF	.11
06	6	N/A	.3125-32 UNEF	.17
11	N/A	8	.3750-32 UNEF	.17
07	7	9	.4375-28 UNEF	.23
08	8	10	.5000-28 UNEF	.30
09	9	11	.5625-24 UNEF	.30
10	10	12	.6250-24 UNEF	.36
12	11/12/13	13	.6875-24 UNEF	.42
13	N/A	15	.7500-20 UNEF	.42
14	14/15/16/17	18/19	.9375-20 UNEF	.48
15	14/15/16/17	18/19	.9375-20 UNEF	.61
16	19	21	1.0625-18 UNEF	.73
17	21	23	1.1875-18 UNEF	.86

Dimensions in Inches (millimeters) are subject to change without notice.

# Series 80 Mighty Mouse Direct or Rotatable Coupling Strain Relief Clamp 620MS064 & 620MS065 Straight Dimensions



Dimensions															
Size Code	A Threads	B Max.		C Max.		Ø D		E		F Closed		G Max.		H Max.	
		In.	mm.	In.	mm.	± .015	± 0.38	± .015	± 0.38	± .030	± 0.76	In.	mm.	In.	mm.
05	.2500-32 UNEF-2B	.470	11.94	.688	17.48	.119	3.02	.496	12.60	.11	2.79	.625	15.88	.350	8.89
06	.3125-32 UNEF-2B	.530	13.46	.688	17.48	.182	4.62	.582	14.78	.17	4.32	.625	15.88	.415	10.54
11	.375-32 UNEF-2B	.570	14.48	.688	17.48	.182	4.62	.582	14.78	.17	4.32	.625	15.88	.465	11.81
07	.4375-28 UNEF-2B	.637	16.18	.688	17.48	.244	6.20	.656	16.66	.23	5.08	.688	17.48	.530	13.46
08	.5000-28 UNEF-2B	.700	17.78	.688	17.48	.307	7.80	.726	18.44	.30	7.62	.688	17.48	.595	15.11
09	.5625-24 UNEF-2B	.758	19.25	.750	19.05	.307	7.80	.726	18.44	.30	7.62	.750	19.05	.650	16.51
10	.6250-24 UNEF-2B	.819	20.80	.750	19.05	.369	9.37	.885	22.48	.36	9.14	.875	22.23	.715	18.16
12	.6875-24 UNEF-2B	.896	22.76	.750	19.05	.432	10.97	.952	24.18	.42	10.67	.875	22.23	.785	19.94
13	.750-20 UNEF-2B	.930	23.62	.750	19.05	.432	10.97	.952	24.18	.42	10.67	.875	22.23	.830	21.08
14	.9375-20 UNEF-2B	1.137	28.88	.750	19.05	.494	12.55	1.018	25.86	.48	12.19	1.000	25.40	1.020	25.91
15	.9375-20 UNEF-2B	1.137	28.88	.750	19.05	.619	15.72	1.148	29.16	.61	15.49	1.000	25.40	1.020	25.91
16	1.0625-18 UNEF-2B	1.230	31.24	.750	19.05	.744	18.90	1.273	32.33	.73	18.54	1.000	25.40	1.155	29.34
17	1.1875-18 UNEF-2B	1.397	35.48	.750	19.05	.869	22.07	1.400	35.56	.86	21.84	1.125	28.58	1.280	32.51

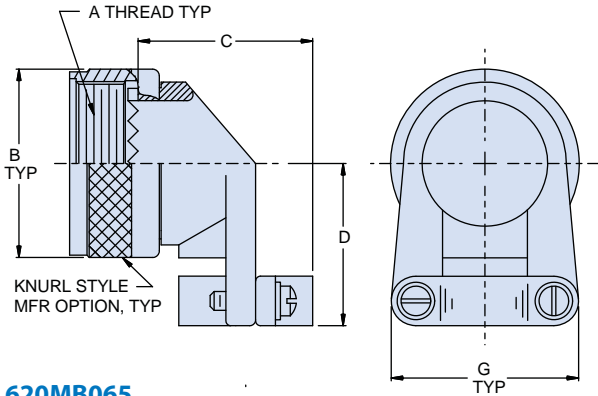
Dimensions in Inches (millimeters) are subject to change without notice.





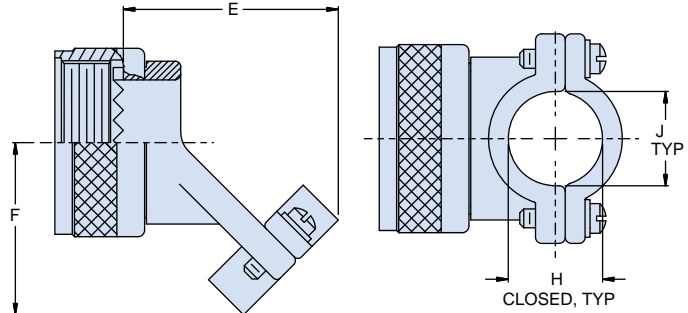
# Series 80 Mighty Mouse Rotatable Coupling Strain Relief Clamp 620MA065 90° and 620MB065 45° Dimensions

## 45° Rotatable coupling clamp



620MB065

## 90° Rotatable coupling clamp



620MA065

X

Size Code	Shell Size Ref		A Thread Class -2b	B Max		C Max		D Max	
	800/801/803/804	805		in	mm	in	mm	in	mm
	05	5		N/A	1/4-32 UNEF	0.470		0.613	
06	6	N/A	5/16-32 UNEF	0.530		0.675		0.582	
11	N/A	8	3/8-32 UNEF	0.570		0.675		0.602	
07	7	9	7/16-28 UNEF	0.637		0.675		0.632	
08	8	10	1/2-28 UNEF	0.700		0.743		0.662	
09	9	11	9/16-24 UNEF	0.758		0.743		0.691	
10	10	12	5/8-24 UNEF	0.819		0.805		0.846	
12	11/12/13	13	11/16-24 UNEF	0.896		0.868		0.881	
13	N/A	15	3/4-20 UNEF	0.930		0.868		0.921	
14	14/15/16/17	18/19	15/16-20 UNEF	1.137		0.993		0.998	
15	14/15/16/17	18/19	15/16-20 UNEF	1.137		1.055		1.060	
16	19	21	1 1/16-18 UNEF	1.230		1.243		1.090	
17	21	23	1 3/16-18 UNEF	1.387		1.312		1.151	

Size Code	Shell Size Ref		E Max		F max		G Dim		H Closed		J Dim	
	800/801/803/804	805	in	mm	in	mm	in	mm	in	mm	in	mm
	05	5	N/A	0.806		0.511		0.496		0.11		0.119
06	6	N/A	0.850		0.542		0.582		0.17		0.182	
11	N/A	8	0.850		0.562		0.582		0.17		0.182	
07	7	9	0.850		0.592		0.656		0.23		0.244	
08	8	10	0.887		0.622		0.726		0.30		0.307	
09	9	11	0.887		0.651		0.726		0.30		0.307	
10	10	12	1.018		0.770		0.885		0.36		0.369	
12	11/12/13	13	1.061		0.805		0.952		0.42		0.432	
13	N/A	15	1.091		0.855		0.952		0.42		0.432	
14	14/15/16/17	18/19	1.146		0.922		1.018		0.48		0.494	
15	14/15/16/17	18/19	1.208		0.984		1.148		0.61		0.619	
16	19	21	1.325		0.950		1.273		0.73		0.744	
17	21	23	1.495		1.042		1.400		0.86		0.869	

Dimensions in Inches (millimeters) are subject to change without notice.

# Series 80 Mighty Mouse Rotatable Coupling Band-Master™ ATS Thread-On Adapter

## 440M\*135 Straight, 90° and 45° Ordering Information



**Band-Master™ ATS Band  
Microband 601-061**



**Band-Master™ ATS  
Micro Band Tool  
601-101**



**Add a boot or overmold  
for environmental protection  
(Shown without boot)**

These thread-on adapters are used with **Band-Master™ ATS Micro Band** shield termination straps. Choose the smallest cable entry for your wire bundle. **Straight Entry** adapters are available in various lengths. **Straight, 45°** and **90°** adapters feature rotatable coupling nuts.

How To Order	
<b>Sample Part Number</b>	440MS135 M 07 05- 7 K
<b>Series (See Table I)</b>	440MS135 = Straight Entry 440MK135 = 45° Entry 440ML135 = 90° Entry
<b>Shell Material and Finish</b>	UCR = Aluminum / Zinc Cobalt Black M = Aluminum / Electroless Nickel NF = Aluminum / Cadmium with Olive Drab ZN = Aluminum / Zinc-Nickel with Olive Drab Chromate ZNU = Aluminum / Zinc-Nickel with Black Chromate MT = Aluminum / Nickel-PTFE Z1 = Stainless Steel / Passivated
<b>Size Code (See Table II)</b>	05, 06, 11, 07, 08, 09, 10, 12, 13, 14, 16, 17
<b>Cable Entry Size (See Table III)</b>	02-, 03-, 04-, 05-, 06-, 07-, 08-, 09-, 10-, 11-, 12-, 13-, 14-
<b>Length</b>	Applies to symbol "S", straight only Length in 1/8 (3.18mm) inch increments (i.e. 7 = .875 inches)
<b>Band Option</b>	K = Pre-coiled Band Supplied (600-057-1) = Band Supplied (600-057) Omit for no band supplied
<b>Lace-Tie Option</b>	T = Lace-Tie Omit for no lace-tie option

Table I: Cover Style		
<b>440MS135</b> Straight Entry	<b>440MK135</b> 45° Entry	<b>440ML135</b> 90° Entry

### NOTES

- Standard Minimum Length is .75. applies to symbol "S" straight only.
- Consult factory for larger cable entries dimensions C, D, E & F may be exceeded.

### Materials

- Coupling nut, Adapter: aluminum alloy or 300 series SST
- Band: 300 series SST
- O-ring: silicone elastomer

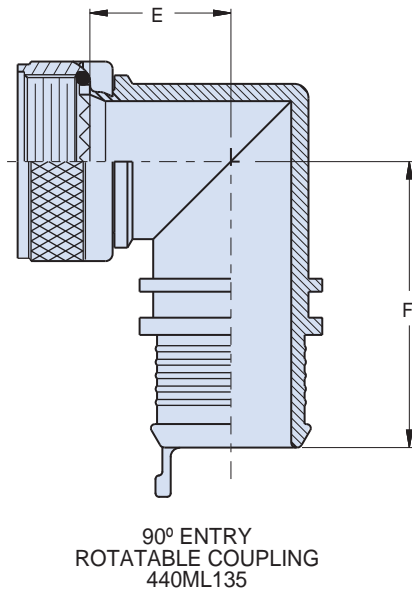
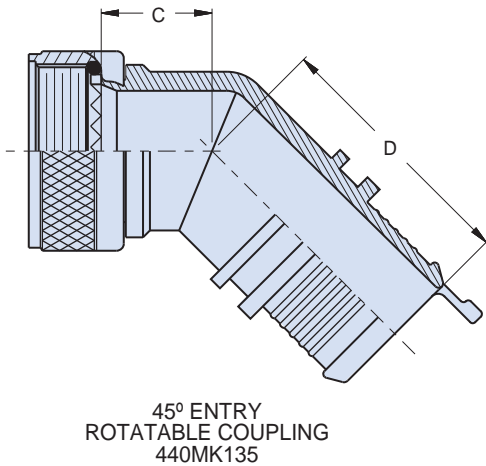
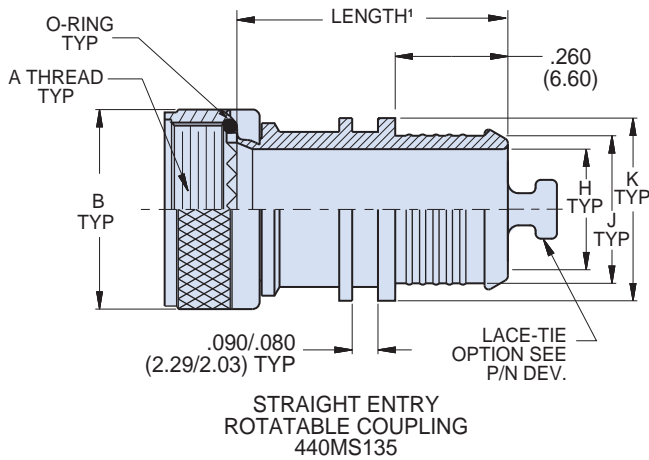
Dimensions in Inches (millimeters) are subject to change without notice.







# Series 80 Mighty Mouse Rotatable Coupling Band-Master™ ATS Adapter 440MS135, 440MK135 and 440ML135 Dimensions



Size Code	A Threads	Shell Size		Max Cable Entry Code²
		Series 800, 801, 803, 804	Series 805	
05	.2500-32 UNEF-2B	5	N/A	03
06	.3125-32 UNEF-2B	6	N/A	04
11	.375-32 UNEF-2B	N/A	8	04
07	.4375-28 UNEF-2B	7	9	06
08	.5000-28 UNEF-2B	8	10	07
09	.5625-24 UNEF-2B	9	11	08
10	.6250-24 UNEF-2B	10	12	09
12	.6875-24 UNEF-2B	11, 12, 13	13	10
13	.750-20 UNEF-2B	N/A	15	10
14	.9375-20 UNEF-2B	14, 15, 16, 17	18, 19	14
16	1.0625-18 UNEF-2B	19	21	15
17	1.1875-18 UNEF-2B	21	23	16

Size Code	B Max.		C Max.		D Max.		E Max.		F Max.	
	In.	mm.	In.	mm.	In.	mm.	In.	mm.	In.	mm.
05	.470	11.94	.530	13.46	.660	16.76	.630	16.00	.780	19.81
06	.530	13.46	.550	13.97	.670	17.02	.660	16.76	.790	20.27
11	.570	14.48	.560	14.22	.680	17.27	.680	17.27	.810	20.57
07	.637	16.18	.570	14.48	.690	17.53	.700	17.78	.830	21.08
08	.700	17.78	.580	14.73	.700	17.78	.740	18.80	.860	21.84
09	.758	19.25	.590	14.99	.710	18.03	.770	19.56	.890	22.61
10	.819	20.80	.610	15.49	.730	18.54	.800	20.32	.920	23.37
12	.896	22.76	.640	16.26	.750	19.05	.840	21.34	.970	24.64
13	.930	23.62	.660	16.76	.770	19.56	.890	22.60	1.020	25.91
14	1.137	28.88	.690	17.53	.800	20.32	.950	24.13	1.090	27.69
16	1.230	31.24	.710	18.03	.820	20.82	.980	24.89	1.130	28.70
17	1.387	35.23	.720	18.29	.830	21.08	1.010	25.65	1.160	29.46

Cable Entry Code	Ø H		Ø J		Ø K	
	In.	mm.	In.	mm.	In.	mm.
	± .015	± 0.38	± .015	± 0.38	± .015	± 0.38
02	.125	3.18	.164	4.17	.266	6.76
03	.188	4.78	.227	5.77	.329	8.36
04	.250	6.35	.289	7.34	.391	9.93
05	.312	7.92	.351	8.92	.453	11.51
06	.375	9.53	.414	10.52	.516	13.11
07	.438	11.13	.477	12.12	.579	14.71
08	.500	12.70	.539	13.69	.641	16.28
09	.562	14.27	.601	15.27	.703	17.86
10	.625	15.88	.664	16.87	.766	19.46
11	.688	17.48	.727	18.47	.829	21.06
12	.750	19.05	.789	20.04	.891	22.63
13	.812	20.62	.851	21.62	.953	24.21
14	.875	22.23	.914	23.22	1.016	25.81
15	.938	23.83	.977	24.82	1.079	27.41
16	1.00	25.4	1.039	26.39	1.141	28.98

Dimensions in Inches (millimeters) are subject to change without notice.

# Series 80 Mighty Mouse Environmental Direct Coupling Band-Master™ ATS Adapter 440MS134 Straight - Ordering Information



Accessories



**Band-Master™ ATS Band  
Microband 601-061**



**Band-Master™ ATS  
Micro Band Tool  
601-101**



**Add a boot or overmold  
for environmental protection  
(Shown without boot)**

These adapters are used with Band-Master™ ATS micro band shield termination straps. Choose the smallest cable entry for your wire bundle.

How To Order					
<b>Sample Part Number</b>	<b>440MS134</b>	<b>NF</b>	<b>07</b>	<b>04</b>	<b>B</b>
<b>Series (See Table I)</b>	<b>440MS134</b> = Straight Entry				
<b>Shell Material and Finish</b>	<b>M</b> = Aluminum / Electroless Nickel <b>NF</b> = Aluminum / Cadmium with Olive Drab <b>ZN</b> = Aluminum / Zinc-Nickel with Olive Drab Chromate <b>ZNU</b> = Aluminum / Zinc-Nickel with Black Chromate <b>MT</b> = Aluminum / Nickel-PTFE <b>Z1</b> = Stainless Steel / Passivated				
<b>Size Code (See Table II)</b>	<b>05, 06, 11, 07, 08, 09, 10, 12, 13, 14, 17</b>				
<b>Cable Entry Size (See Table III)</b>	<b>01, 02, 03, 04, 05, 06, 07, 08, 09, 10, 11, 12, 13, 14</b>				
<b>Band Option</b>	<b>B</b> = 601-060 flat band supplied <b>K</b> = 601-061 pre-coiled band supplied <b>Omit</b> = no band supplied				

Table I: Cover Style
<b>440MS134</b> Straight Entry

## NOTES

### Materials

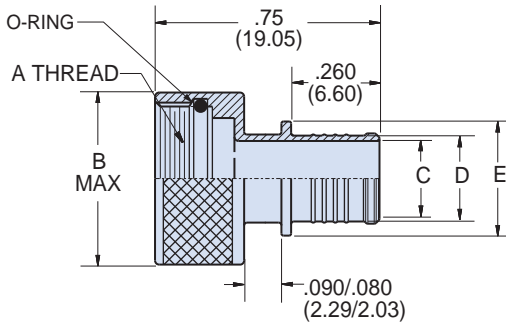
- Adapter: Aluminum Alloy or 300 Series SST
- Band: 300 Series SST
- O-Ring: Silicone Elastomer

Dimensions in Inches (millimeters) are subject to change without notice.





# Series 80 Mighty Mouse Low-Profile Band-Master™ ATS Adapter 440MS134 Straight - Dimensions



STRAIGHT ENTRY  
DIRECT COUPLING  
440MS134

X

**Table III: Banding Platform and Cable Entry Dimensions**

Cable Entry Code	Ø C		Ø D		Ø E	
	In.	mm.	In.	mm.	In.	mm.
	± .015	± 0.38	± .015	± 0.38	± .015	± 0.38
<b>01</b>	.094	2.39	.133	3.38	.235	5.97
<b>02</b>	.125	3.18	.164	4.17	.266	6.76
<b>03</b>	.172	4.37	.211	5.36	.313	7.95
<b>04</b>	.234	5.94	.273	6.93	.375	9.53
<b>05</b>	.272	6.91	.311	7.90	.413	10.49
<b>06</b>	.312	7.92	.351	8.92	.453	11.51
<b>07</b>	.375	9.53	.414	10.52	.516	13.11
<b>08</b>	.438	11.13	.477	12.12	.579	14.71
<b>09</b>	.500	12.70	.539	13.69	.641	16.28
<b>10</b>	.562	14.27	.601	15.27	.703	17.86
<b>11</b>	.625	15.88	.664	16.87	.766	19.46
<b>12</b>	.688	17.48	.727	18.47	.829	21.06
<b>13</b>	.750	19.05	.789	20.04	.891	22.63
<b>14</b>	.812	20.62	.851	21.62	.953	24.21
<b>15</b>	.875	22.15	.914	23.22	1.016	25.81
<b>16</b>	.938	23.83	.977	24.82	1.079	27.41
<b>17</b>	1.000	25.40	1.039	26.39	1.141	28.98

**Table II: Size Code Dimensions and Reference**

Adapter Size Code	Shell Size Reference		A Threads	B Max.		Use with Cable Entry Size Codes
	800, 801, 803, 804	Series 805		In.	mm.	
	<b>05</b>	5		N/A	.2500-32 UNEF-2B	
<b>06</b>	6	N/A	.3125-32 UNEF-2B	.415	10.54	<b>01</b> thru <b>04</b>
<b>11</b>	N/A	8	.375-32 UNEF-2B	.465	11.81	<b>01</b> thru <b>04</b>
<b>07</b>	7	9	.4375-28 UNEF-2B	.530	13.46	<b>02</b> thru <b>06</b>
<b>08</b>	8	10	.5000-28 UNEF-2B	.595	15.11	<b>03</b> thru <b>07</b>
<b>09</b>	9	11	.5625-24 UNEF-2B	.650	16.51	<b>05</b> thru <b>08</b>
<b>10</b>	10	12	.6250-24 UNEF-2B	.715	18.16	<b>06</b> thru <b>09</b>
<b>12</b>	11, 12, 13	13	.6875-24 UNEF-2B	.785	19.94	<b>07</b> thru <b>10</b>
<b>13</b>	N/A	15	.750-20 UNEF-2B	.830	21.08	<b>07</b> thru <b>10</b>
<b>14</b>	14, 15, 16, 17	18, 19	.9375-20 UNEF-2B	1.020	25.91	<b>10</b> thru <b>15</b>
<b>16</b>	19	21	1.0625-18 UNEF-2B	1.155	29.34	<b>10</b> thru <b>16</b>
<b>17</b>	21	23	1.1875-18 UNEF-2B	1.280	32.51	<b>10</b> thru <b>17</b>

Dimensions in Inches (millimeters) are subject to change without notice.

# Series 80 Mighty Mouse

## Direct or Rotatable Coupling Environmental Backshell

### 370MS037 and 370M\*038 Straight, 45° and 90° Ordering Information



Environmental backshells feature silicone o-rings for a watertight seal.

Straight Entry backshells are available with direct coupling or rotatable coupling.

45° and 90° adapters feature rotatable coupling nuts.

Table II: Cover Style	
<b>Omit</b> Screw Clamp with Saddle Bars	<b>N</b> Compression Nut

How To Order						
<b>Sample Part Number</b>	<b>370MS037</b>	<b>C</b>	<b>10</b>	<b>05-</b>	<b>6</b>	<b>N</b>
<b>Series (See Table III)</b>	<b>370MS037</b> = Straight Entry <b>370MS038</b> = Straight Entry <b>370MB038</b> = 45° Entry <b>370MA038</b> = 90° Entry					
<b>Shell Material and Finish</b>	<b>M</b> = Aluminum / Electroless Nickel <b>NF</b> = Aluminum / Cadmium with Olive Drab <b>ZN</b> = Aluminum / Zinc-Nickel with Olive Drab Chromate <b>ZNU</b> = Aluminum / Zinc-Nickel with Black Chromate <b>MT</b> = Aluminum / Nickel-PTFE <b>Z1</b> = Stainless Steel / Passivated					
<b>Size Code (See Table I)</b>	<b>05, 06, 11, 07, 08, 09, 10, 12, 13, 14, 16, 17</b>					
<b>Cable Entry Code (See Table II)</b>	<b>01-, 02-, 03-, 04-, 05-, 06-, 07-, 08-, 09-, 10-, 11-, 12-, 13-</b>					
<b>Length (See Table III)</b>	<b>Straight length only.</b> Specify length in 1/8 inch increments (e.g. 6 = .75 inches). See Table II for standard lengths.					
<b>Clamp Style (Table II)</b>	<b>Omit</b> = screw clamp with saddle bars <b>N</b> = Compression Nut, Low Profile					

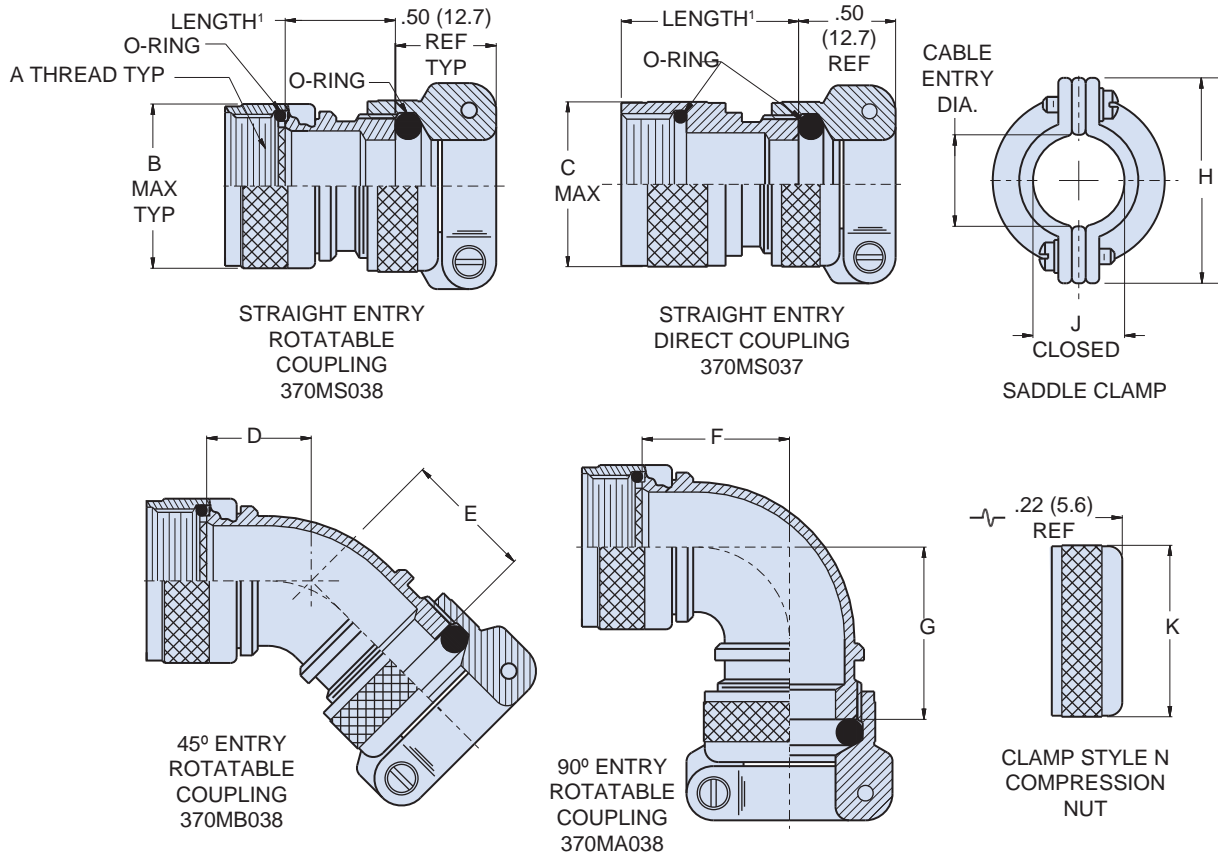
Table I: Straight Coupling Dimensions											
Size Code	Shell Size Ref		A Thread UNEF Class -2B	370MS038				370MS037			
	800/801 803/804	805		B Max.		Std Length		C Max.		Std Length	
				In.	mm.	In.	mm.	In.	mm.	In.	mm.
<b>05</b>	5	N/A	1/4 - 32	.470	11.94	.75	19.05	.350	8.89	.63	16.00
<b>06</b>	6	N/A	5/16 - 32	.530	13.46	.75	19.05	.415	10.54	.63	16.00
<b>11</b>	N/A	8	3/8 - 32	.570	14.48	.75	19.05	.465	11.68	.63	16.00
<b>07</b>	7	9	7/16 - 28	.637	16.18	.75	19.05	.530	13.46	.75	19.05
<b>08</b>	8	10	1/2 - 28	.700	17.78	.75	19.05	.595	15.11	.75	19.05
<b>09</b>	9	11	9/16 - 24	.758	19.25	.75	19.05	.650	16.51	.75	19.05
<b>10</b>	10	12	5/8 - 24	.819	20.80	.75	19.05	.715	18.16	.75	19.05
<b>12</b>	11 thru 13	13	11/16 - 24	.896	22.76	.88	22.35	.785	19.94	.88	22.35
<b>13</b>	N/A	15	3/4 - 20	.930	23.62	.88	22.35	.830	21.08	.88	22.35
<b>14</b>	14 thru 17	18/19	15/16 - 20	1.137	28.88	1.00	25.40	1.020	25.91	1.00	25.40
<b>16</b>	19	21	11/16 - 18	1.230	31.24	1.00	25.40	1.155	29.34	1.00	25.40
<b>17</b>	21	23	13/16 - 18	1.280	32.51	1.13	28.70	1.287	35.23	1.13	28.70

Table III: Backshell Profile	
<b>370MS037</b> Straight Entry, Direct Coupling	<b>370MS038</b> Straight Entry, Rotatable Coupling
<b>370MB038</b> 45° Entry Rotatable Coupling	<b>370MA038</b> 90° Entry Rotatable Coupling

Dimensions in Inches (millimeters) are subject to change without notice.



# Series 80 Mighty Mouse Direct or Rotatable Coupling Environmental Backshell 370MS037, 370MS038, 370MB038 and 370MA038 Dimensions



X

Table II: 370M\*038 45° and 90° Dimensions

Cable Entry Code	Cable Entry Dia.		D Max.		E Max.		F Max.		G Max.		H		J Closed		Ø K	
	Max.	Min.	In.	mm.	In.	mm.	In.	mm.	In.	mm.	in. ± .015	mm ± 0.38	In.	mm.	in. ± .015	mm ± 0.38
01	.109	.031	.603	15.32	.581	14.76	.724	18.39	.702	17.83	.496	12.60	.11	2.79	.398	10.11
02	.172	.078	.603	15.32	.581	14.76	.724	18.39	.702	17.83	.582	14.78	.17	4.32	.460	11.68
03	.234	.140	.603	15.32	.581	14.76	.724	18.39	.702	17.83	.656	16.66	.23	5.84	.523	13.28
04	.297	.203	.629	15.98	.607	15.42	.786	19.96	.764	19.41	.726	18.44	.30	7.62	.585	14.86
05	.359	.265	.629	15.98	.607	15.42	.786	19.96	.764	19.41	.885	22.48	.36	9.14	.647	16.43
06	.422	.328	.655	16.64	.633	16.00	.848	21.54	.826	20.98	.952	24.18	.42	10.67	.710	18.03
07	.484	.390	.655	16.64	.633	16.00	.848	21.54	.826	20.98	1.018	25.86	.48	12.19	.773	19.63
08	.547	.453	.707	17.96	.685	17.40	.911	23.14	.889	22.58	1.084	27.53	.55	13.97	.835	21.21
09	.609	.515	.707	17.96	.685	17.40	.911	23.14	.889	22.58	1.148	29.16	.61	15.49	.897	22.78
10	.672	.578	.733	18.62	.711	18.06	.973	24.71	.951	.951	1.211	30.76	.67	17.02	.959	24.36
11	.734	.640	.733	18.62	.711	18.06	.973	24.71	.951	.951	1.273	32.33	.73	18.54	1.021	25.93
12	.859	.765	.785	19.94	.763	19.38	1.036	26.31	1.014	1.014	1.400	35.56	.86	21.84	1.083	27.51
13	1.00	.906	.811	20.60	.789	20.04	1.098	27.89	1.076	1.076	1.539	39.09	.99	25.15	1.145	29.08

**NOTES**

1. Minimum length is .63 Inches. Applies to "S" straight entry only.
2. Use shrink Sleeve or bushing to build cable to dia shown under saddle bars.

*Materials*

- Adapter, Clamp, Nut and Saddles: Aluminum Alloy 6061-T6 or 300 Series Stainless Steel
- O-Rings: Silicone Rubber
- Hardware: 300 Series Stainless Steel

Dimensions in Inches (millimeters) are subject to change without notice.

# Series 80 Mighty Mouse EMI Backshell

## 380MS135 and 380M\*137 Straight, 45° and 90° Ordering Information



380MS135

EMI backshells feature an EMI ring for easy shield termination.

Straight Entry backshells are available with direct coupling or rotatable coupling.

380-137 adapters feature rotatable coupling nuts.

How To Order	
Sample Part Number	380MS135 M 07 04- 6 N
Series (See Table I)	380MS135 = Straight Entry 380MS137 = Straight Entry, 380MB137 = 45° Entry 380MA137 = 90° Entry
Shell Material and Finish	UCR = Aluminum / Zinc Cobalt with Black ZNU = Aluminum / Zinc Nickel with Black over Electroless Nickel M = Aluminum / Electroless Nickel NF = Aluminum / Cadmium with Olive Drab ZN = Aluminum / Zinc-Nickel with Olive Drab Chromate MT = Aluminum / Nickel-PTFE Z1 = Stainless Steel / Passivated
Size Code (See Table V)	05, 06, 11, 07, 08, 09, 10, 12, 13, 14, 16, 17
Cable Entry Code (See Table II)	01-, 02-, 03-, 04-, 05-, 06-, 07-, 08-, 09-, 10-, 11-, 12-, 13-
Length (See Table III)	<b>For Straight Entry Only.</b> Use Standard lengths listed in Table III for Best Availability Specify length in .125 (3.18) inch increments (e.g. 6 = .75 in)
Clamp Style (See Table IV)	Omit = Clamp with Saddle Bars N = Compression Nut, Low Profile

Table I: Backshell Style			
<b>380MS135</b> Straight Entry, Direct Coupling	<b>380MS137</b> Straight Entry, Rotatable Coupling	<b>380MB137</b> 45° Entry, Rotatable Coupling	<b>380MA137</b> 90° Entry, Rotatable Coupling

Table II: Cable Entry Code			
Cable Entry Code	Saddle Clamp Dia. Fully Closed	Cable Entry Code	Saddle Clamp Dia. Fully Closed
01-	.11 (2.79)	08-	.55 (13.97)
02-	.17 (4.32)	09-	.61 (15.49)
03-	.23 (5.84)	10-	.67 (17.02)
04-	.30 (7.62)	11-	.73 (18.54)
05-	.36 (9.14)	12-	.86 (21.84)
06-	.42 (10.67)	13-	.99 (25.15)
07-	.48 (12.19)		

Table III: Std. Length <sup>1</sup>				
Size Code	380MS137 Std. Length		380MS135 Std. Length	
	In.	mm.	In.	mm.
05	.75	19.05	.63	16.00
06	.75	19.05	.63	16.00
11	.75	19.05	.63	16.00
07	.75	19.05	.75	19.05
08	.75	19.05	.75	19.05
09	.75	19.05	.75	19.05
10	.75	19.05	.75	19.05
12	.88	22.35	.88	22.35
13	.88	22.35	.88	22.35
14	1.00	25.40	1.00	25.40
16	1.00	25.40	1.00	25.40
17	1.13	28.70	1.13	28.70

Table IV: Clamp Style	
<b>Omit</b> Clamp with Saddle Bars	<b>N</b> Compression Nut, Low Profile

### NOTES

1. Minimum length is .63 Inches. Applies to straight entry only.
2. Use shrink sleeve or bushing to build cable to dia. shown under saddle bars.

### Materials

- Adapter, Clamp, Nut and Saddles: Aluminum Alloy 6061-T6 or 300 Series Stainless Steel
- Hardware: 300 Series Stainless Steel

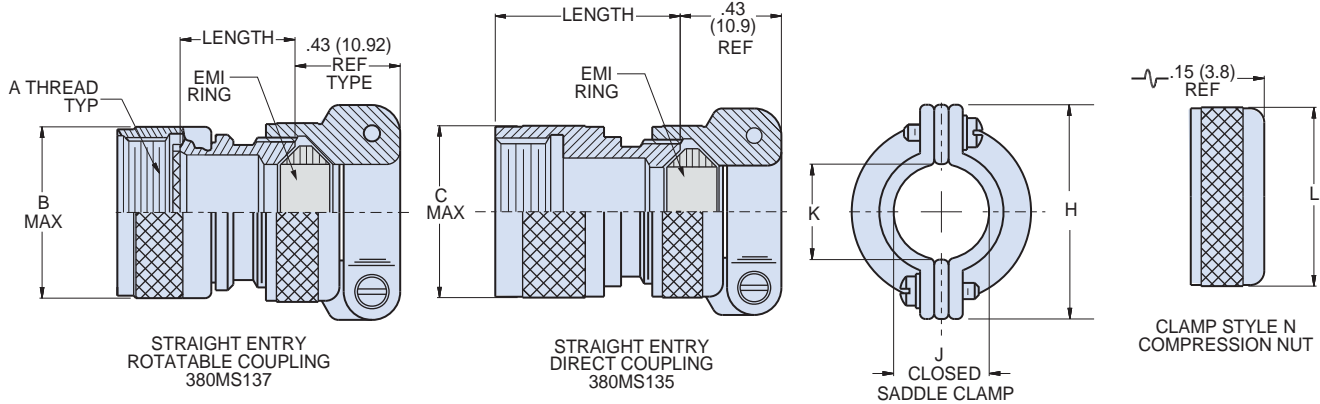
Dimensions in Inches (millimeters) are subject to change without notice.



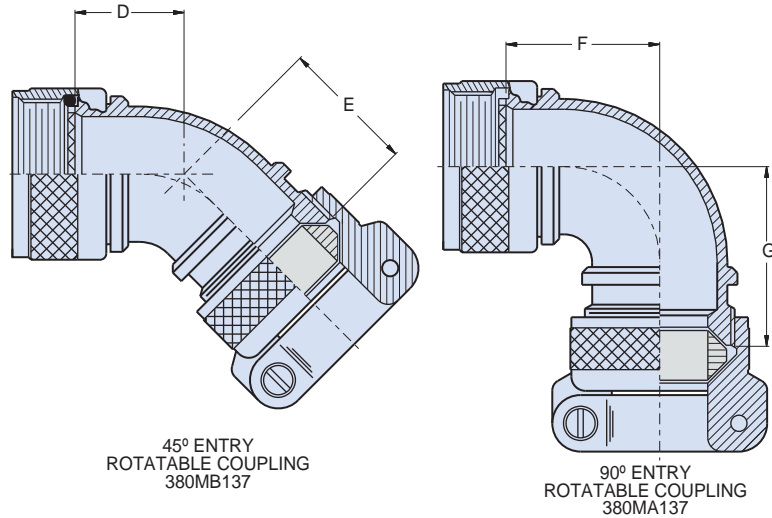


# Series 80 Mighty Mouse EMI Backshell

## 380MS135 Straight and 380M\*137 Straight, 45° and 90° Dimensions



X



Straight Coupling Dimensions							
Size Code	Shell Size Ref.		A Thd. UNEF Class-2B	B Max.		C Max.	
	800/801 803/804	805		In.	mm.	In.	mm.
05	5	N/A	.2500-32	.470	11.94	.350	8.89
06	6	N/A	.3125-32	.530	13.46	.415	10.54
11	N/A	8	.3750-32	.570	14.48	.465	11.68
07	7	9	.4375-28	.637	16.18	.530	13.46
08	8	10	.5000-28	.700	17.78	.595	15.11
09	9	11	.5625-24	.758	19.25	.650	16.51
10	10	12	.6250-24	.819	20.80	.715	18.16
12	11/12/13	13	.6875-24	.896	22.76	.785	19.94
13	N/A	15	.7500-20	.930	23.62	.830	21.08
14	14/15/16/17	18/19	.9375-20	1.137	28.88	1.020	25.91
16	19	21	1.0625-18	1.230	31.24	1.155	29.34
17	21	23	1.1875-18	1.387	35.23	1.280	32.51

Cable Entry Code	D Max.		E Max.		F Max.		G Max.		H		J Closed		K		Ø L	
	In.	mm.	In.	mm.	In.	mm.	In.	mm.	± .015	± 0.38	± .030	± 0.76	± .015	± 0.38	± .015	± 0.38
	In.	mm.	In.	mm.	In.	mm.	In.	mm.	In.	mm.	In.	mm.	In.	mm.	In.	mm.
01	.603	15.32	.581	14.76	.724	18.39	.702	17.83	.496	12.60	.11	2.79	.119	3.02	.398	10.11
02	.603	15.32	.581	14.76	.724	18.39	.702	17.83	.582	14.78	.17	4.32	.182	4.62	.460	11.68
03	.603	15.32	.581	14.76	.724	18.39	.702	17.83	.656	16.66	.23	5.84	.244	6.20	.523	13.28
04	.629	15.98	.607	15.42	.786	19.96	.764	19.41	.726	18.44	.30	7.62	.307	7.80	.585	14.86
05	.629	15.98	.607	15.42	.786	19.96	.764	19.41	.885	22.48	.36	9.14	.369	9.37	.647	16.43
06	.655	16.64	.633	16.00	.848	21.54	.826	20.98	.952	24.18	.42	10.67	.432	10.97	.710	18.03
07	.655	16.64	.633	16.00	.848	21.54	.826	20.98	1.018	25.86	.48	12.19	.494	12.55	.773	19.63
08	.707	17.96	.685	17.40	.911	23.14	.889	22.58	1.084	27.53	.55	13.97	.557	14.15	.835	21.21
09	.707	17.96	.685	17.40	.911	23.14	.889	22.58	1.148	29.16	.61	15.49	.619	15.72	.897	22.78
10	.733	18.62	.711	18.06	.973	24.71	.951	24.16	1.211	30.76	.67	17.02	.682	17.32	.959	24.36
11	.733	18.62	.711	18.06	.973	24.71	.951	24.16	1.273	32.33	.73	18.54	.744	18.90	1.021	25.93
12	.785	19.94	.763	19.38	1.036	26.31	1.014	25.76	1.400	35.56	.86	21.84	.869	22.07	1.083	27.51
13	.811	20.60	.789	20.04	1.098	27.89	1.076	27.33	1.539	39.09	.99	25.15	1.010	25.65	1.145	29.08

Dimensions in Inches (millimeters) are subject to change without notice.

# Series 80 Mighty Mouse EMI/RFI Backshell Non-Environmental 380MS141 Ordering Information



The Series 80 Mighty Mouse, non-environmental backshell utilizes an EMI ring for easy shield termination. A protective backshell provides robust cable strain-relief.

How To Order						
<b>Sample Part Number</b>	<b>380MS141</b>	<b>M</b>	<b>08</b>	<b>06</b>	<b>-4</b>	
<b>Series</b>	<b>380MS141</b> = Straight Entry					
<b>Shell Material and Finish</b>	<b>UCR</b> = Aluminum / Zinc-Cobalt Black <b>M</b> = Aluminum / Electroless Nickel <b>NF</b> = Aluminum / Cadmium with Olive Drab <b>ZN</b> = Aluminum / Zinc-Nickel with Olive Drab Chromate <b>ZNU</b> = Aluminum / Zinc-Nickel with Black Chromate <b>MT</b> = Aluminum / Nickel-PTFE <b>Z1</b> = Stainless Steel / Passivated					
<b>Size Code (See Table I)</b>	<b>05, 06, 11, 07, 08, 09, 10, 12, 13, 14, 16, 17</b>					
<b>Cable Entry Code (Table II)</b>	<b>02, 25, 03, 35, 04, 05, 06, 07, 08, 09, 10, 11, 12, 13, 14, 15, 16</b>					
<b>Length</b>	Specify length in 1/8 inch increments (e.g. 6 = .75 inches). Minimum length .50 inches					
<b>Band Option</b>	<b>B</b> = .125 inch wide straight band		<b>K</b> = .125 inch wide precoiled band		<b>Omit</b> for no band supplied	

## NOTES

### Material/Finish

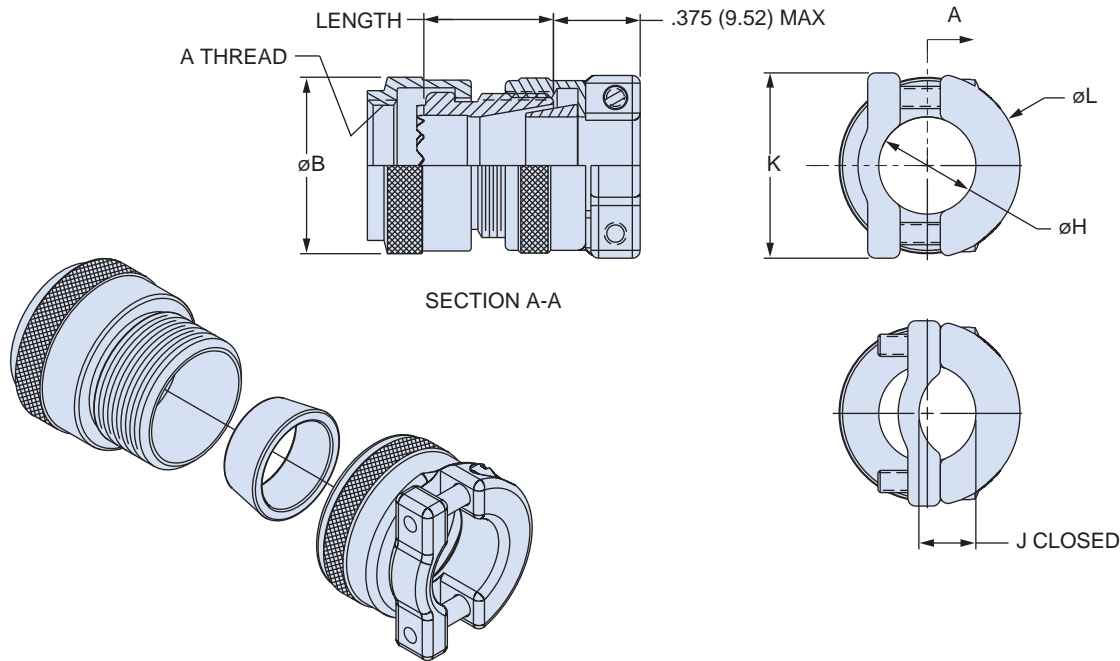
- Adapter, coupling nut, rear nut: aluminum alloy/per part number development
- Saddle: stainless steel/per part number development
- Hardware: stainless steel/passivated

Dimensions in Inches (millimeters) are subject to change without notice.





# Series 80 Mighty Mouse EMI/RFI Backshell Non-Environmental 380MS141 Ordering Information


**Table I: Size Code**

Size Code	Shell Size, Mighty Mouse Series					A Thread UNEF-2B	Ø B Max		Max Entry
	800	801	803	804	805		In.	mm.	
05	5	5	5	5	-	.2500-32	0.470	11.94	25
06	6	6	6	6	-	.3125-32	0.530	13.46	35
11	-	-	-	-	8	.3750-32	0.570	14.48	4
07	7	7	7	7	9	.4375-28	0.637	16.18	5
08	8	8	8	8	10	.5000-28	0.700	17.78	6
09	9	9	9	9	11	.5625-24	0.758	19.25	7
10	10	10	10	10	12	.6250-24	0.819	20.80	8
12	12	13	12	12	-	.6875-24	0.896	22.76	9
13	-	-	-	-	15	.7500-20	0.930	23.62	10
14	-	16,17	14,15	14,15	18,19	.9375-20	1.137	28.88	13
16	-	19	-	-	21	1.0625-18	1.250	31.75	14
17	-	21	-	-	23	1.1875-18	1.397	35.48	16

**Table II: Cable Entry Code**

Entry Code	Ø H	J Closed	K	Ø L Max
02	0.125	0.075	0.470	0.470
25	0.156	0.094	0.470	0.470
03	0.188	0.113	0.530	0.530
35	0.219	0.131	0.530	0.530
04	0.250	0.150	0.590	0.590
05	0.313	0.188	0.655	0.655
06	0.375	0.225	0.715	0.715
07	0.438	0.263	0.780	0.780
08	0.500	0.300	0.840	0.840
09	0.563	TBD*	TBD*	TBD*
10	0.625	TBD*	TBD*	TBD*
11	0.688	TBD*	TBD*	TBD*
12	0.750	TBD*	TBD*	TBD*
13	0.813	TBD*	TBD*	TBD*
14	0.875	TBD*	TBD*	TBD*
15	0.938	TBD*	TBD*	TBD*
16	1.000	TBD*	TBD*	TBD*

\* Contact Factory

Dimensions in Inches (millimeters) are subject to change without notice.

# Series 80 Mighty Mouse EMI/RFI Backshell Band-In-A-Can Backshell 447MS981 Ordering Information



Series 80 Mighty Mouse, Band-In-A-Can backshell utilizes a secondary adapter that covers the banding area, along with providing options for strain relief. This backshell combines the efficiency and convenience of band style shield termination with a protective backshell which protects the shield termination area from damage due to rough handling and provides for robust cable strain-relief. Recommended for use in severe application environments where banding is the preferred shield termination technology.

How To Order						
<b>Sample Part Number</b>	<b>447MS981</b>	<b>M</b>	<b>08</b>	<b>06</b>	<b>-6</b>	<b>K</b>
<b>Series</b>	447MS981 = Straight Entry					
<b>Shell Material and Finish</b>	UCR = Aluminum / Zinc-Cobalt Black M = Aluminum / Electroless Nickel NF = Aluminum / Cadmium with Olive Drab ZN = Aluminum / Zinc-Nickel with Olive Drab Chromate ZNU = Aluminum / Zinc-Nickel with Black Chromate MT = Aluminum / Nickel-PTFE Z1 = Stainless Steel / Passivated					
<b>Size Code (See Table I)</b>	05, 06, 11, 07, 08, 09, 10, 12, 13, 14, 16, 17					
<b>Cable Entry Code (See Table II)</b>	02, 25, 03, 35, 04, 05, 06, 07, 08, 09, 10, 11, 12, 13, 14, 15, 16					
<b>Length</b>	Specify length in 1/8 inch increments (e.g. 12 = 1.50 inches). Minimum Length = .75					
<b>Band Option</b>	B = 1/8" Wide Straight Band    K = 1/8" Wide Precoiled Band    Omit = No Band Supplied					

## NOTES

### Material/Finish

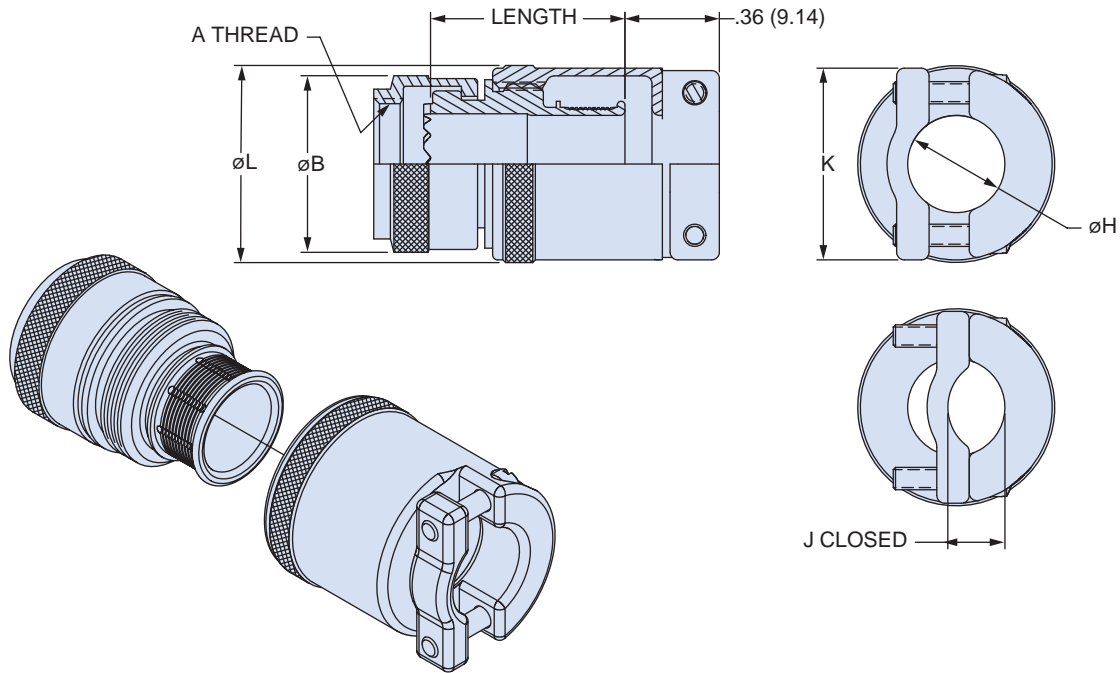
- Adapter, coupling nut, rear nut: aluminum alloy/per part number development
- Saddle: stainless steel/per part number development
- Hardware: stainless steel/passivated

Dimensions in Inches (millimeters) are subject to change without notice.





# Series 80 Mighty Mouse EMI/RFI Backshell Band-In-A-Can Backshell 447MS981 Ordering Information



X

**Table I: Size Code**

Size Code	800	801	803	804	805	A Thread UNEF - 2B	Ø B Max		Max Entry
							In.	mm.	
05	5	5	5	5	-	.2500-32	0.470	11.94	25
06	6	6	6	6	-	.3125-32	0.530	13.46	35
11	-	-	-	-	8	.3750-32	0.570	14.48	04
07	7	7	7	7	9	.4375-28	0.637	16.18	05
08	8	8	8	8	10	.5000-28	0.700	17.78	06
09	9	9	9	9	11	.5625-24	0.758	19.25	07
10	10	10	10	10	12	.6250-24	0.819	20.80	08
12	12	13	12	12	-	.6875-24	0.896	22.76	09
13	-	-	-	-	15	.7500-20	0.930	23.62	10
14	-	16,17	14,15	14,15	18,19	.9375-20	1.137	28.88	13
16	-	19	-	-	21	1.0625-18	1.250	31.75	14
17	-	21	-	-	23	1.1875-18	1.387	35.48	16

**Table II: Cable Entry Code**

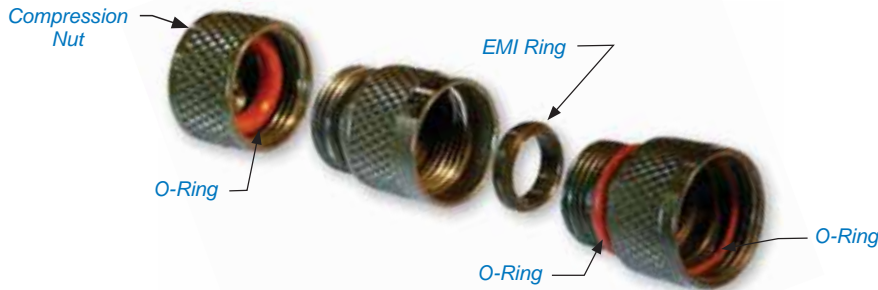
Entry Code	Ø H		J Closed		K		Ø L Max	
	in.	mm.	in.	mm.	in.	mm.	in.	mm.
02	0.125	3.18	0.075	1.91	0.490	12.45	0.520	13.21
25	0.156	3.96	0.094	2.39	0.520	13.21	0.550	13.97
03	0.188	4.78	0.113	2.87	0.550	13.97	0.580	14.73
35	0.219	5.56	0.131	3.33	0.580	14.73	0.610	15.49
04	0.250	6.35	0.150	3.81	0.615	15.62	0.645	16.38
05	0.313	7.95	0.188	4.78	0.680	17.27	0.710	18.03
06	0.375	9.53	0.225	5.72	0.740	18.80	0.770	19.56
07	0.438	11.13	0.263	6.68	0.800	20.32	0.830	21.08
08	0.500	12.70	0.300	7.62	0.865	21.97	0.895	22.73
09	0.563	14.30	TBD*	TBD*	TBD*	TBD*	TBD*	TBD*
10	0.625	15.88	TBD*	TBD*	TBD*	TBD*	TBD*	TBD*
11	0.688	17.48	TBD*	TBD*	TBD*	TBD*	TBD*	TBD*
12	0.750	19.05	TBD*	TBD*	TBD*	TBD*	TBD*	TBD*
13	0.813	20.65	TBD*	TBD*	TBD*	TBD*	TBD*	TBD*
14	0.875	22.23	TBD*	TBD*	TBD*	TBD*	TBD*	TBD*
15	0.938	23.83	TBD*	TBD*	TBD*	TBD*	TBD*	TBD*
16	1.000	25.40	TBD*	TBD*	TBD*	TBD*	TBD*	TBD*

\* Consult Factory

Dimensions in Inches (millimeters) are subject to change without notice.

# Series 80 Mighty Mouse Environmental EMI Backshell

390MS076 Straight, 390M\*077 Straight, 45° and 90°  
Ordering Information



These backshells feature an EMI ring for easy shield termination. O-rings provide watertight seals on the cable jacket and on the backshell-to-connector interface.

How To Order						
Sample Part Number	390MS077	M	07	04-	6	N
Series (See Table I)	390MS076 = Straight Entry, Direct Coupling 390MS077 = Straight Entry, Rotatable Coupling 390MB077 = 45° Entry 390MA077 = 90° Entry					
Shell Material and Finish	C = Aluminum / Black Anodize (Non-Conductive) RoHS Compliant M = Aluminum / Electroless Nickel NF = Aluminum / Cadmium with Olive Drab ZN = Aluminum / Zinc-Nickel with Olive Drab Chromate ZNU = Aluminum / Zinc-Nickel with Black Chromate MT = Aluminum / Nickel-PTFE Z1 = Stainless Steel / Passivated					
Size Code (See Table II)	05, 06, 11, 07, 08, 09, 10, 12, 13, 14, 16, 17					
Cable Entry Code (See Table III)	01, 02, 03, 04, 05, 06, 07, 08, 09, 10, 11, 12, 13					
Length	Straight Entry 390MS Only Specify length in increments of .125; e.g. 6 = .75 in					
Clamp Style (See Table IV)	Omit = Screw Clamp with Saddle Bars N = Compression Nut, Low Profile					

Size Code	Thread Size Class -2B UNEF	Size Code	Thread Size Class -2B UNEF
05	.2500-32	10	.6250-24
06	.3125-32	12	.6875-24
11	.3750-32	13	.7500-20
07	.4375-28	14	.9375-20
08	.5000-28	16	1.0625-18
09	.5625-24	17	1.1875-18

Cable Entry Code	Saddle Clamp J Diameter Fully Closed		Cable Entry Code	Saddle Clamp J Diameter Fully Closed	
	In. ± .030	mm. ± 0.76		In. ± .030	mm. ± 0.76
01-	.110	2.79	08-	.550	13.97
02-	.170	4.32	09-	.610	15.49
03-	.230	5.84	10-	.670	17.02
04-	.300	7.62	11-	.730	18.54
05-	.360	9.14	12-	.860	21.84
06-	.420	10.67	13-	.990	25.15
07-	.480	12.19			

Omit Screw Clamp With Saddle Bars	N Compression Nut, Low Profile

390MS076 Straight Entry, Direct Coupling	390MS077 Straight Entry, Rotatable Coupling	390MB077 45° Entry	390MA077 90° Entry

## NOTES

1. Minimum length is .63 Inches. Tee table i for standard length applies to sym s, straight only
2. Use shrink sleeve or bushing to build cable to dia. shown, under saddle bars

### Materials

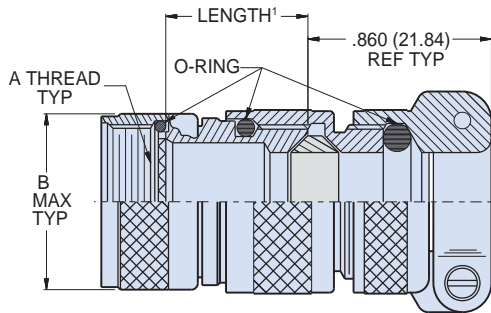
- Adapter, clamp, nut and saddles: aluminum alloy 6061-t6 or 300 series stainless steel
- O-rings: silicone rubber
- Hardware: 300 series stainless steel

Dimensions in Inches (millimeters) are subject to change without notice.

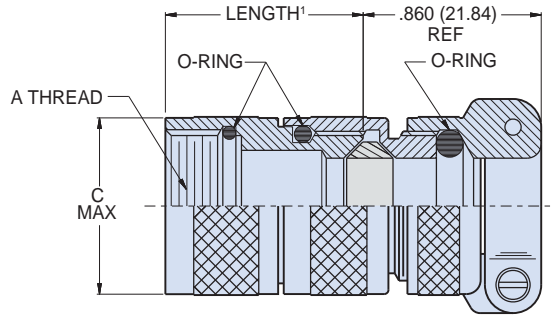


# Series 80 Mighty Mouse Environmental EMI Backshell

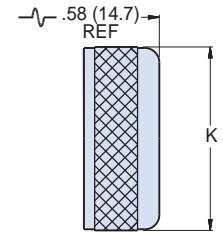
## 390MS076 Straight and 390M077 Straight, 45° and 90° Dimensions



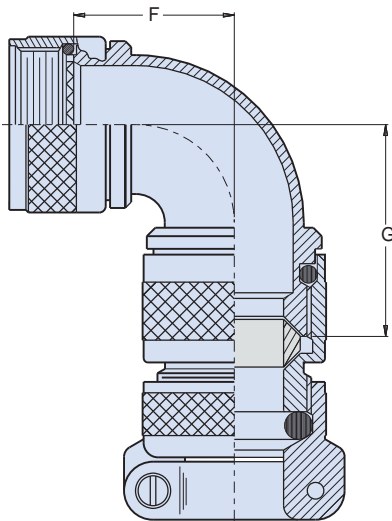
STRAIGHT ENTRY  
ROTATABLE COUPLING  
390MS077



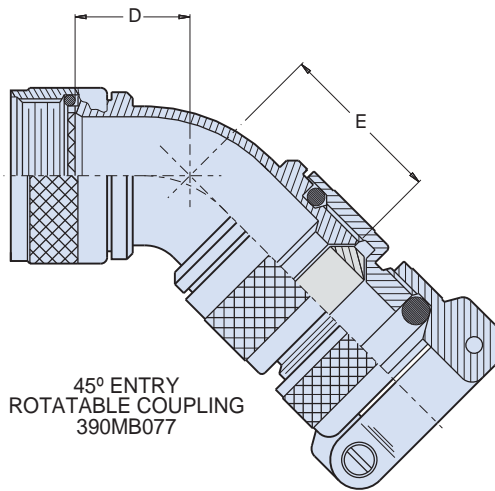
STRAIGHT ENTRY  
DIRECT COUPLING  
390MS076



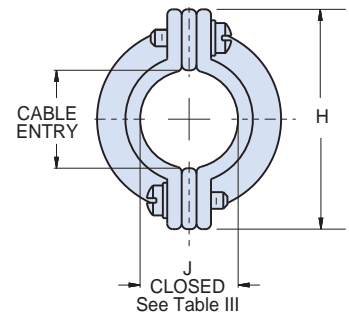
CLAMP STYLE N  
COMPRESSION NUT



90° ENTRY  
ROTATABLE COUPLING  
390MA077



45° ENTRY  
ROTATABLE COUPLING  
390MB077



ENTRY SADDLE CLAMP

### Cable Entry Dimensions

Dash No.	Cable Entry		D Max.		E Max.		F Max.		G Max.		H		Ø K			
											In.	mm.	In.	mm.		
	Max.	Min.	In.	mm.	In.	mm.	In.	mm.	In.	mm.	±	±	±	± 0.25		
	In.	mm.	in.	mm.	in.	mm.	in.	mm.	in.	mm.	.010	0.25	.010			
01	.109	2.77	.031	0.79	.603	15.32	.681	17.30	.724	18.39	.802	20.37	.496	12.60	.398	10.11
02	.172	4.37	.078	1.98	.603	15.32	.681	17.30	.724	18.39	.802	20.37	.582	14.78	.460	11.68
03	.234	5.94	.140	3.56	.603	15.32	.681	17.30	.724	18.39	.802	20.37	.656	16.66	.523	13.28
04	.297	7.54	.203	5.16	.629	15.98	.707	17.96	.786	19.96	.864	21.95	.726	18.44	.585	14.86
05	.359	9.12	.265	6.73	.629	15.98	.707	17.96	.786	19.96	.864	21.95	.885	22.48	.647	16.43
06	.422	10.72	.328	8.33	.655	16.64	.733	18.62	.848	21.54	.926	23.52	.952	24.18	.710	18.03
07	.484	12.29	.390	9.91	.655	16.64	.733	18.62	.848	21.54	.926	23.52	1.018	25.86	.773	19.63
08	.547	13.89	.453	11.51	.707	17.96	.785	19.94	.911	23.14	.989	25.12	1.084	27.53	.835	21.21
09	.609	15.47	.515	13.08	.707	17.96	.785	19.94	.911	23.14	.989	25.12	1.148	29.16	.897	22.78
10	.672	17.07	.578	14.68	.733	18.62	.811	20.60	.977	24.82	1.055	26.80	1.211	30.76	.959	24.36
11	.734	18.64	.640	16.26	.733	18.62	.811	20.60	.977	24.82	1.055	26.80	1.273	32.33	1.021	25.93
12	.859	21.82	.765	19.43	.785	19.94	.863	21.92	1.036	26.31	1.114	28.30	1.400	35.56	1.083	27.51
13	1.000	25.40	.906	23.01	.811	20.60	.889	22.58	1.098	27.89	1.176	29.87	1.539	39.09	1.145	29.08

### Size Code Dimensions

Size Code	Shell Size Ref.		A Thds. UNEF Class-2B	B Max.		C Max.		Std. Length¹	
				In.	mm.	In.	mm.	In.	mm.
	800	805		In.	mm.	In.	mm.	In.	mm.
05	5	N/A	.2500-32	.470	11.94	.350	8.89	.75	19.05
06	6	N/A	.3125-32	.530	13.46	.415	10.54	.75	19.05
11	N/A	8	.3750-32	.570	14.48	.465	11.81	.75	19.05
07	7	9	.4375-28	.637	16.18	.530	13.46	.75	19.05
08	8	10	.5000-28	.700	17.78	.595	15.11	.75	19.05
09	9	11	.5625-24	.758	19.25	.650	16.51	.75	19.05
10	10	12	.6250-24	.819	20.80	.715	18.16	.75	19.05
12	11/12	13	.6875-24	.896	22.76	.785	19.94	.88	22.35
13	N/A	15	.7500-20	.930	23.62	.830	21.08	.88	22.35
14	14/15	18	.9375-20	1.137	28.88	1.020	25.91	1.00	25.40
	16/17	19							
16	19	21	1.0625-18	1.230	31.24	1.155	29.34	1.00	25.40
17	21	23	1.1875-18	1.387	35.23	1.280	108.71	1.13	28.70

Dimensions in Inches (millimeters) are subject to change without notice.

# Series 802 Aqua Mouse Molding, Backshell Banding Adapter 809-141 Ordering Information



These adapters are used with Band-Master™ ATS micro band shield termination straps. Choose the smallest cable entry for your wire bundle.

How To Order					
Sample Part Number	809-141	NF	07	04	B
Series (See Table I)	809-141				
Shell Material and Finish	<b>C</b> = Aluminum / Black Anodize (Non-Conductive) RoHS Compliant <b>M</b> = Aluminum / Electroless Nickel <b>NF</b> = Aluminum / Cadmium with Olive Drab <b>ZN</b> = Aluminum / Zinc-Nickel with Olive Drab Chromate <b>Z1</b> = Stainless Steel / Passivated				
Shell Size (See Table I)	05, 06, 07, 08, 09, 10, 12, 14, 15				
Dash No. (See Table II)	01, 02, 03, 04, 05, 06, 07, 08, 09, 10, 11, 12, 13, 14, 15, 16, 17				
Band Option	<b>B</b> = 601-060 Flat Band Supplied <b>K</b> = 601-061 Pre-Coiled Band Supplied <b>Omit</b> for No Band Supplied				

Table I: Dash Number Reference			
Shell Size	A Thread Class -2B	B Max	Dash No. Available <sup>2</sup>
05	1/4-32 UNEF	0.375	01-03
06	5/16-32 UNEF	0.438	01-04
07	7/16-28 UNEF	0.562	02-06
08	1/2-28 UNEF	0.625	03-07
09	9/16-24 UNEF	0.682	05-08
10	5/8-24 UNEF	0.745	06-09
12	11/16-24 UNEF	0.807	07-10
14	7/8-20 UNEF	0.985	08-12
15	15/16-20 UNEF	1.047	10-14

### NOTES

- Glenair 600 Series backshell assembly tools are recommended for assembly and installation.
  - Consult factory for availability of additional entries.
- Material/Finish:
- Adapter - see Table III
  - O-Ring - Viton/90 shore
  - Band - stainless steel/passivate

Dimensions in Inches (millimeters) are subject to change without notice.

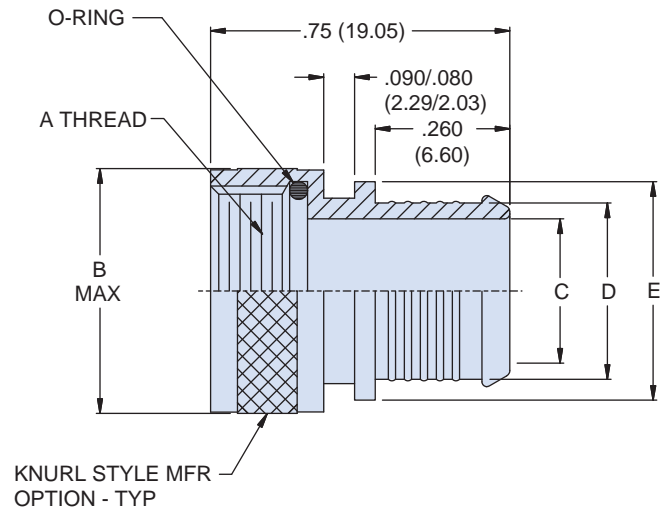


Table II: Dimensions						
Dash No.	C Dia		D Dia		E Dia	
	in	mm	in	mm	in	mm
01	0.094	2.39	0.133	3.38	0.235	5.97
02	0.125	3.18	0.164	4.17	0.266	6.76
03	0.172	4.37	0.211	5.36	0.313	7.95
04	0.234	5.94	0.273	6.93	0.375	9.53
05	0.272	6.91	0.311	7.90	0.413	10.49
06	0.312	7.92	0.351	8.92	0.453	11.51
07	0.375	9.53	0.414	10.52	0.516	13.11
08	0.438	11.13	0.477	12.12	0.579	14.71
09	0.500	12.70	0.539	13.69	0.641	16.28
10	0.562	14.27	0.601	15.27	0.703	17.86
11	0.625	15.88	0.664	16.87	0.766	19.46
12	0.688	17.48	0.727	18.47	0.829	21.06
13	0.750	19.05	0.789	20.04	0.891	22.63
14	0.812	20.62	0.851	21.62	0.953	24.21
15	0.875	22.23	0.914	23.22	1.016	25.81
16	0.938	23.83	0.977	24.82	1.079	27.41
17	1.000	25.40	1.036	26.31	1.141	28.98

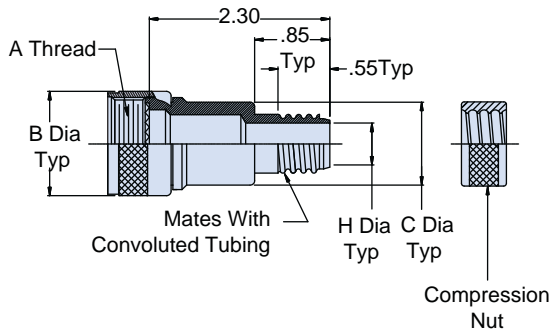




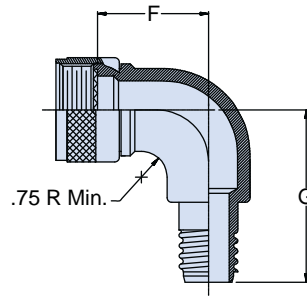
# 189M052 Straight, 90° and 45° Convoluted Tubing Backshell for Series 80 "Mighty Mouse" Fiber Optic Connectors

How To Order					
Sample Part Number	189MS052	NF	12	12	K
Series (See Table I)	189MS052 = Straight 189MN052 = 90° 189MM052 = 45°				
Shell Material and Finish	M = Aluminum / Electroless Nickel; RoHS Compliant MT = Aluminum / Nickel-PTFE RoHS Compliant NF = Aluminum / Cadmium with Olive Drab Chromate				
Size Code	10, 12, 14; See Table I				
Conduit Size Dash No.	10, 16, 20, 24; See Table III				
Tubing	K = Peek Tubing; See P/N 120-108 (Omit for E, F, P or T) See P/N 120-100				

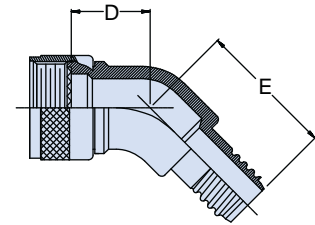
X



**SYM S**  
Straight



**SYM N**  
90°



**SYM M**  
45°

Shell Size	A Thread Class 2B	B Max	C	D Max	E Max	F Max	G Max
10	.6875-24 UNEF	.91 (23.1)	.620 (15.7)	.701(17.81)	1.200(30.48)	1.911(48.54)	2.410(61.21)
12	.6875-24 UNEF	.91 (23.1)	.620 (15.7)	.910 (23.1)	1.250 (31.8)	1.985 (50.4)	2.395 (60.8)
14	.9375-20 UNEF	1.25 (31.8)	.875 (22.2)	1.020 (25.9)	1.370 (34.8)	2.115 (53.7)	2.465 (62.6)

Code	Finish
M	Electroless Nickel
NF	Cadmium/Olive Drab over Electroless Nickel

Refer to Appendix for material/finish details

Frac. Size	Dash No.	H Max
3/8	12	.320 (8.1)
1/2	16	.425 (10.8)
5/8	20	.550 (14.0)
3/4	24	.680 (17.3)

**MATERIAL AND FINISH**

- Adapter, Coupling Nut and Compression Nut: AL Alloy/see Table II
- O-Ring: Fluorosilicone
- Detent Spring: Torlon

Dimensions in Inches (millimeters) are subject to change without notice.

# Series 800 Mighty Mouse Metal Protective Covers with UN Mating Thread 667-184 and 667-185 Ordering Information



Protective covers fit Series 800 plug and receptacle connectors. Aluminum or stainless steel. Fluorosilicone rubber gasket protects connector from contamination and water ingress. Attach to panel or cable with a variety of lanyards and fittings. Lanyard styles include braided nylon rope, stainless steel wire or sash chain. Stainless steel wire available with flexible, rugged polyurethane coating or Teflon™ sleeve for high temperature requirements.

How To Order	
Sample Part Number	667-184 -M -G 9 04 -6 X
Series (See Table I)	667-184 = Plug Cover 667-185 = Receptacle Cover
Shell Material and Finish	C = Aluminum / Black Anodize (Non-Conductive) RoHS Compliant M = Aluminum / Electroless Nickel RoHS Compliant MT = Aluminum / Nickel-PTFE RoHS Compliant NF = Aluminum / Cadmium with Olive Drab Chromate ZNU = Aluminum / Zinc-Nickel with Black Chromate Z1 = Stainless Steel / Passivated RoHS Compliant
Attachment Type	-D = Bead Chain, CRES, Passivate -F = Wire Rope, Nylon Jacket -G = Nylon Rope -H = SST Wire Rope, Teflon® Jacket -N = No Attachment -R = Wire Rope, PVC Jacket -S = SST Sash Chain -SK = Nylon Rope With Slip Knot -T = SST Wire Rope, No Jacket -U = SST Wire Rope, Polyurethane Jacket  "SST" = Stainless Steel
Shell Size	5, 6, 7, 8, 9, 10, 12
Attachment Code (See Table II)	Small Ring = 01, 02, 04, 06 Large Ring = 14 thru 33 Split Ring = 50 thru 68
Attachment Length (Inches)	Omit for attachment Type N (No Attachment) Example: "-6" equals six inch length
Alternate Polarization	X, Y, Z; Omit for Normal

Table I: Shell Style	
667-184 Plug Cover	667-185 Receptacle Cover

Table II: Attachment Code	
Omit for attachment types N (No Attachment) and SK (Slip Knot)	
	00 - No Eyelet
	01 - .125 (3.2) I.D.
	02 - .145 (3.6) I.D.
	04 - .182 (4.6) I.D.
	06 - .197 (5.0) I.D.
	32 - .265 (6.73) I.D.
	29 - .315 (8.00) I.D.
	14 - .385 (9.78) I.D.
	15 - .445 (11.30) I.D.
	33 - .510 (12.95) I.D.
	16 - .570 (14.48) I.D.
	17 - .635 (16.13) I.D.
	18 - .695 (17.65) I.D.
27 - .766 (19.46) I.D.	
	50 - .432 (11.0) I.D.
	52 - .492 (12.5) I.D.
	54 - .648 (16.5) I.D.
	56 - .757 (19.2) I.D.
	58 - .898 (22.8) I.D.
	60 - 1.023 (26.01) I.D.
	64 - 1.137 (28.9) I.D.
68 - 1.357 (34.5) I.D.	

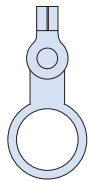
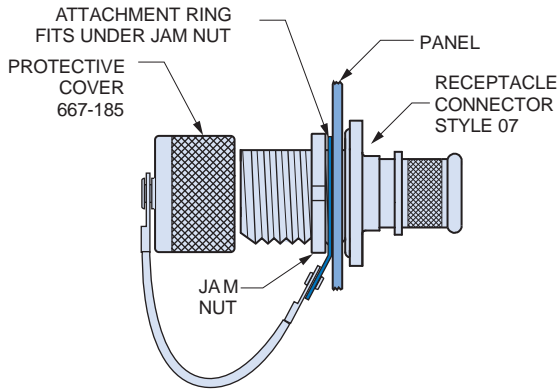
Dimensions in Inches (millimeters) are subject to change without notice.





# Series 800 Mighty Mouse Metal Protective Covers with UN Mating Thread 667-184 and 667-185 Dimensions

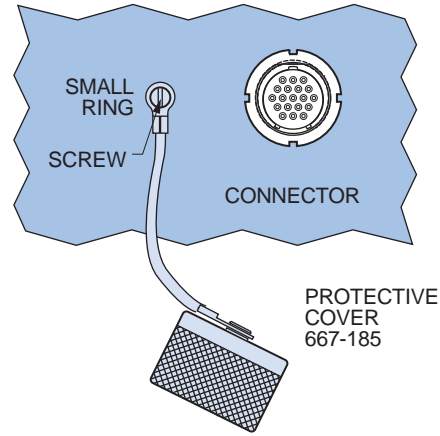
### 667-185 Cover Attachment for RPM Jam Nut Receptacle



Solid Ring

Attch. Code	Shell Size	Ring I.D.		Ring O.D.	
		In.	mm.	In.	mm.
		± .010	±0.25	± .015	± 0.38
29	5	0.315	8.00	0.44	11.18
14	6	0.385	9.78	0.51	12.95
15	7	0.445	11.30	0.57	14.48
33	8	0.510	12.95	0.62	15.75
16	9	0.570	14.48	0.69	17.53
17	10	0.635	16.13	0.76	19.30
27	12	0.766	19.46	0.89	22.61

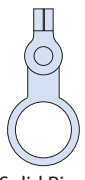
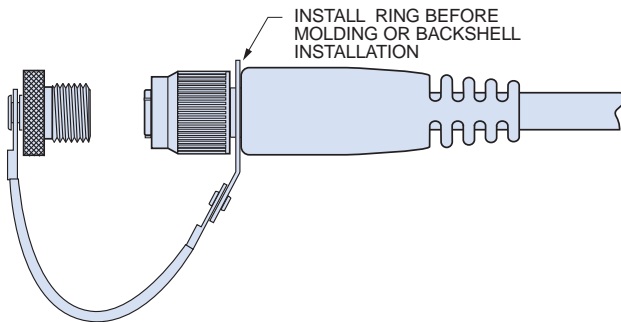
### 667-185 Cover Attachment to a Panel with a Screw



Small Ring for Attaching Receptacle Covers to a Panel with a Screw

Attch. Code	Screw Size	Ring I.D.		Ring O.D.	
		In.	mm.	In.	mm.
		±.005	±0.13	Max.	Max.
01	#4, M3	.126	3.20	.31	7.9
02	#6	.145	3.68	.31	7.9
04	#8, M4	.188	4.78	.31	7.9
06	#10	.197	5.00	.31	7.9

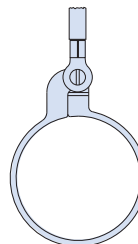
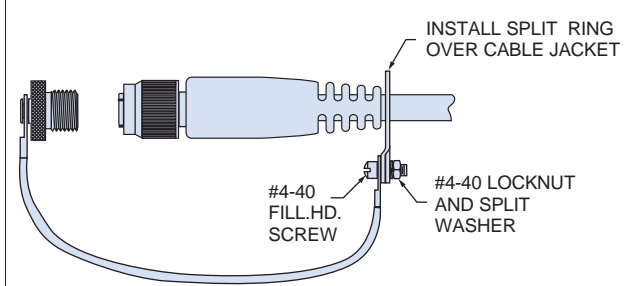
### 667-184 Cover Attachment to Cable Assembly



Solid Ring

Attch. Code	Shell Size	Ring I.D.		Ring O.D.	
		In.	mm.	In.	mm.
		± .010	±0.25	± .015	± 0.38
29	5	.315	6.73	0.44	11.18
14	6	0.385	9.78	0.51	12.95
33	7,8	0.510	12.95	0.62	15.75
16	9	0.570	14.48	0.69	17.53
17	10	0.635	16.13	0.76	19.30
18	12	0.695	17.65	0.82	20.83

### 667-184 Cover Attachment for Cable

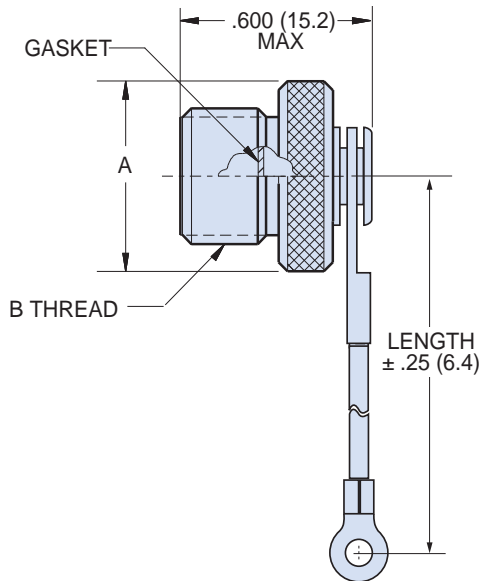


Large Split Ring for Attaching Covers to Cables

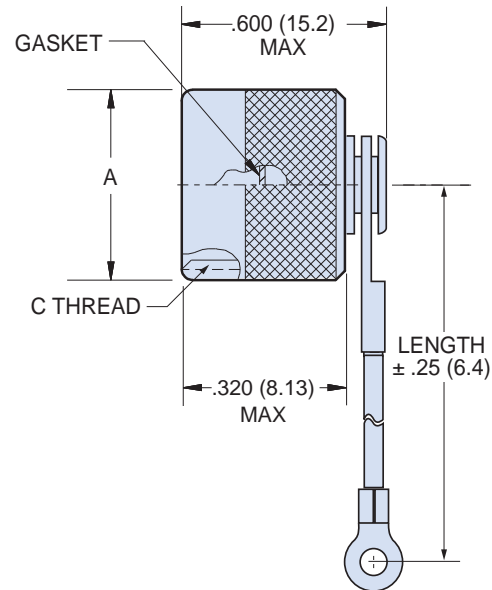
Attch. Code	Max. Cable Dia. (in.)	Ring Diameter			
		Min. ID		Max. OD	
		In.	mm.	In.	mm.
50	.410	.420	10.67	.580	14.73
52	.470	.480	12.19	.640	16.26
54	.625	.635	16.13	.796	20.22
56	.735	.745	18.92	.905	22.99
58	.875	.885	22.48	1.046	26.57
60	1.000	1.010	25.65	1.171	29.74
64	1.115	1.125	28.58	1.285	32.64
68	1.335	1.345	34.16	1.505	38.23

Dimensions in Inches (millimeters) are subject to change without notice.

# Series 800 Mighty Mouse Metal Protective Covers with UN Mating Thread 667-184 and 667-185 Dimensions



667-184 Plug Cover



667-185 Receptacle Cover



Shell Size	A Max.		B	C
	In.	mm.		
5	.462	11.73	.3125-28 UN-2A	.3125-28 UN-2B
6	.525	10.80	.3750-28 UN-2A	.3750-28 UN-2B
7	.588	14.94	.4375-28 UNEF-2A	.4375-28 UNEF-2B
8	.650	16.51	.5000-32 UN-2A	.5000-32 UN-2B
9	.713	18.11	.5625-32 UN-2A	.5625-32 UN-2B
10	.838	21.29	.6250-32 UN-2A	.6250-32 UN-2B
12	.900	22.86	.7500-28 UN-2A	.7500-28 UN-2B

## NOTES

### Materials and Finishes

- Cover: Aluminum alloy per ASTM B211, or stainless steel per AMS-QQ-S-763
- Gasket: Fluorosilicone rubber
- Wire, Hardware: Stainless steel, passivated

Lanyard options	
	-65° to +100°C., black, very flexible, very good abrasion resistance, good resistance to fuels, .120" (3mm) diameter
	Black polyurethane over stainless steel rope, -65° to +125°C., very flexible, excellent abrasion resistance, excellent resistance to fuels, .080" (2mm) diameter
	Translucent FEP jacket over stainless steel, -65° to +200°C., fair flexibility, good abrasion resistance, .100" diameter
	Stainless steel, #8 chain, .240" (6mm)
	65° to +100°C., black, very flexible, very good abrasion resistance, good resistance to fuels, .120" (3mm) diameter. Length includes .5" (13mm) diameter loop.
<b>Slip Knot (SK)</b> for Attaching Covers to Cable	

Dimensions in Inches (millimeters) are subject to change without notice.



# Series 801 Mighty Mouse Double-Start ACME Thread Metal Protective Cover 667-217 and 667-218 Ordering Information



**Protect Connectors From Damage**  
Machined aluminum covers have rubber gaskets for a watertight fit.

**Stainless Steel Fittings and Rings**  
Choose small diameter eye fittings for panel attachment. Larger rings fit under the jam nut or over cable jackets. Split rings can be installed on fully assembled cables.

**Polyurethane-Coated SST Wire Rope**  
offers high strength, excellent abrasion resistance and good flexibility. Or, choose Teflon® jacket for high temperature exposure.

**Braided Nylon Rope** provides excellent flexibility and good abrasion resistance, and can be ordered with slip knot fittings for easy installation on any size cable.

X

How To Order						
Sample Part Number	667-217	-M	-G	9	04	-6
<b>Series (See Table I)</b>	667-217 = Plug Cover 667-218 = Receptacle Cover					
<b>Material and Finish</b>	<b>C</b> = Aluminum / Black Anodize (Non-Conductive) RoHS Compliant <b>M</b> = Aluminum / Electroless Nickel RoHS Compliant <b>MT</b> = Aluminum / Nickel-PTFE RoHS Compliant <b>NF</b> = Aluminum / Cadmium with Olive Drab Chromate <b>ZNU</b> = Aluminum / Zinc-Nickel with Black Chromate <b>Z1</b> = Stainless Steel / Passivated RoHS Compliant					
<b>Attachment Type</b>	-D = Bead Chain, CRES, Passivate -F = Wire Rope, Nylon Jacket -G = Nylon Rope -H = SST Wire Rope, Teflon® Jacket -N = No Attachment -R = Wire Rope, PVC Jacket -S = SST Sash Chain -SK = Nylon Rope With Slip Knot -T = SST Wire Rope, No Jacket -U = SST Wire Rope, Polyurethane Jacket "SST" = Stainless Steel					
<b>Shell Size</b>	5, 6, 7, 8, 9, 10, 11, 13, 16, 17, 19, 21					
<b>Attachment Code (See Table II)</b>	Small Ring = 01 thru 06		Split Ring = 50 thru 68			
<b>Attachment Length (inches)</b>	Omit for attachment Type N (No Attachment) Example "-6" equals six inch length					

Table I: Cover Style	
<b>667-217</b> Plug Cover	<b>667-218</b> Receptacle Cover

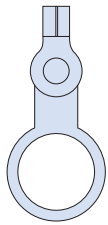
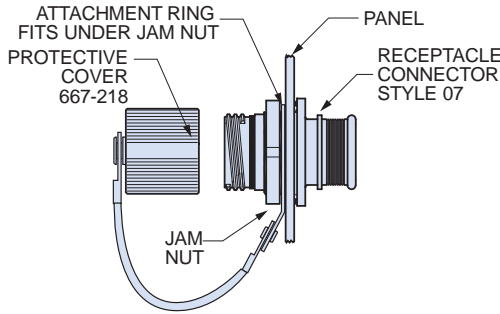
Table II: Attachment Code	
Omit for attachment types <b>N</b> (No Attachment) and <b>SK</b> (Slip Knot)	
 Small Ring	<b>01</b> - .126 (3.20) I.D. <b>02</b> - .145 (3.68) I.D. <b>04</b> - .188 (4.78) I.D. <b>06</b> - .197 (5.00) I.D.
 Large Ring	<b>32</b> - .265 (.37) I.D. <b>29</b> - .315 (8.00) I.D. <b>14</b> - .385 (9.78) I.D. <b>15</b> - .445 (11.30) I.D. <b>33</b> - .510 (12.95) I.D. <b>16</b> - .570 (14.48) I.D. <b>17</b> - .635 (16.13) I.D. <b>18</b> - .695 (17.65) I.D. <b>27</b> - .766 (.89) I.D. <b>19</b> - .885 (22.48) I.D. <b>26</b> - .950 (24.13) I.D. <b>20</b> - 1.070 (27.17) I.D. <b>21</b> - 1.135 (28.83) I.D. <b>22</b> - 1.210 (30.73) I.D. <b>23</b> - 1.275 (32.39) I.D. <b>30</b> - 1.380 (35.05) I.D.
 Split Ring	<b>50</b> - .432 (11.00) I.D. <b>52</b> - .492 (12.50) I.D. <b>54</b> - .648 (16.50) I.D. <b>56</b> - .757 (19.20) I.D. <b>58</b> - .898 (22.80) I.D. <b>60</b> - 1.023 (26.00) I.D. <b>64</b> - 1.137 (28.90) I.D. <b>68</b> - 1.357 (34.50) I.D.

Dimensions in Inches (millimeters) are subject to change without notice.

# Series 801 Mighty Mouse Double-Start ACME Thread Metal Protective Cover 667-217 and 667-218 Dimensions



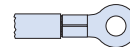
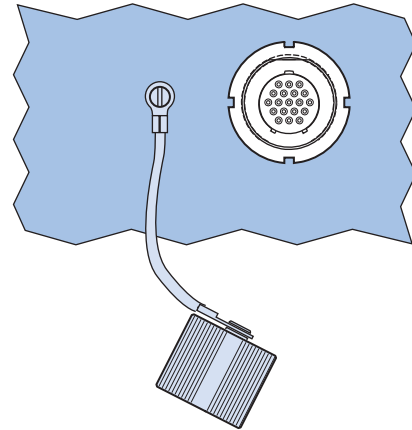
## 667-218 Cover Attachment for RPM Jam Nut Receptacle



Solid Ring

Atch. Code	Shell Size	Ring I.D.		Ring O.D.	
		In. ±.010	mm. ±0.25	In. ±.015	mm. ± 0.38
14	5	.385	9.78	.51	12.95
15	6	.445	11.30	.57	14.35
16	7, 8	.570	14.48	.69	17.40
17	9	.635	16.13	.76	19.30
18	10	.695	17.65	.82	20.82
27	11	.766	19.46	.89	22.61
19	13	.885	22.48	1.01	25.65
20	16	1.070	27.17	1.20	30.35
21	17	1.135	28.83	1.25	31.75
23	19	1.275	30.734	1.37	33.27
30	21	1.380	35.05	1.52	37.85

## 667-218 Cover Attachment to a Panel with a Screw

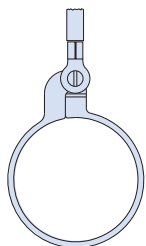
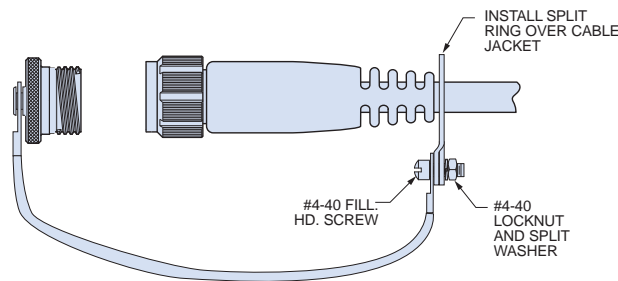


Small Ring for Attaching Receptacle Covers to a Panel with a Screw

Atch. Code	Screw Size	Ring I.D.		Ring O.D.	
		In. ±.005	mm. ±0.13	In. Max.	mm. Max.
01	#4, M3	.126	3.20	.31	7.9
02	#6	.145	3.68	.31	7.9
04	#8, M4	.188	4.78	.31	7.9
06	#10	.197	5.00	.31	7.9



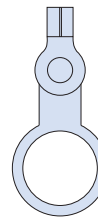
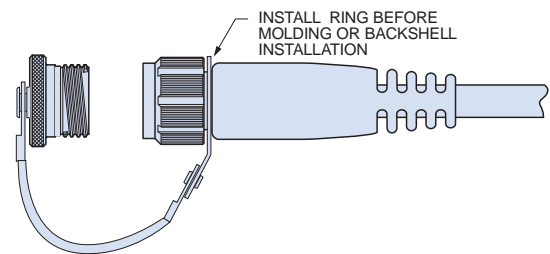
## 667-217 Cover Attachment to Cable



Large Split Ring for Attaching Covers to Cables

Atch. Code	Max. Cable Dia. (in.)	Ring Diameter			
		Min. ID		Max. OD	
		In.	mm.	In.	mm.
50	.410	.420	10.67	.580	14.73
52	.470	.480	12.19	.640	16.26
54	.625	.635	16.13	.796	20.22
56	.735	.745	18.92	.905	22.99
58	.875	.885	22.48	1.046	26.57
60	1.000	1.010	25.65	1.171	29.74
64	1.115	1.125	28.58	1.285	32.64
68	1.335	1.345	34.16	1.505	38.23

## 667-217 Cover Attachment to Cable Assembly



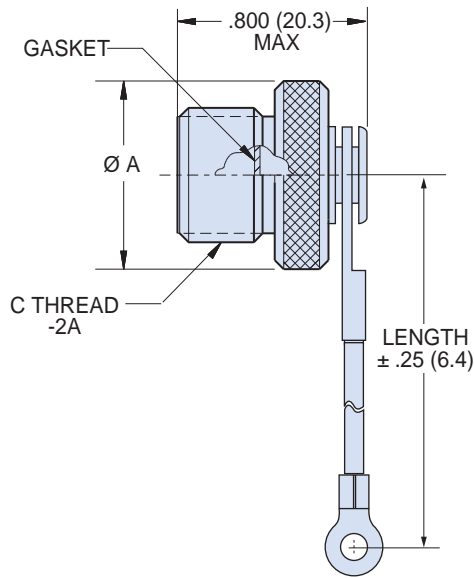
Solid Ring

Atch. Code	Shell Size	Ring I.D.		Ring O.D.	
		In. ±.010	mm. ±0.25	In. ±.015	mm. ± 0.38
29	5	.315	8.00	.44	11.18
14	6	.385	9.78	.51	12.95
33	7,8	.510	12.95	.62	15.75
16	9	.570	14.48	.69	17.53
17	10	.635	16.13	.76	19.30
18	11,13	.695	17.65	.82	20.83
26	16,17	.950	24.13	1.14	28.96
20	19	1.070	27.18	1.20	30.48
22	21	1.210	30.73	1.31	33.27

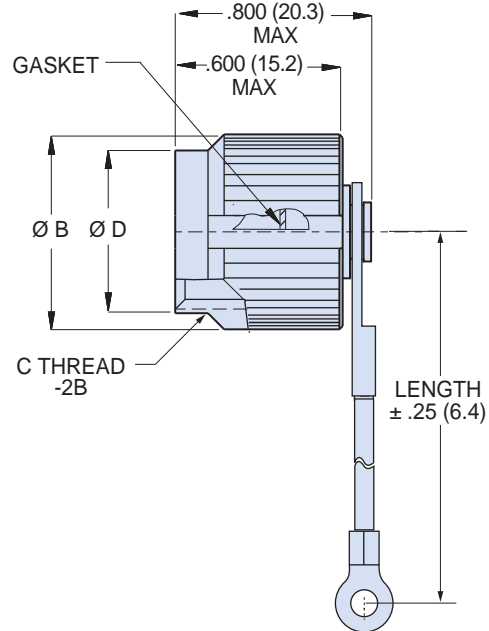
Dimensions in Inches (millimeters) are subject to change without notice.



# Series 801 Mighty Mouse Double-Start ACME Thread Metal Protective Cover 667-217 and 667-218 Dimensions



667-217 Plug Cover



667-218 Receptacle Cover

X

Shell Size	Dimensions						C Thread
	Ø A Max.		Ø B Max.		Ø D Max.		
	In.	mm.	In.	mm.	In.	mm.	
5	.465	11.8	.488	12.40	.368	9.3	.3125-.05P-.1L
6	.525	13.3	.555	14.10	.453	11.5	.375-.05P-.1L
7	.590	14.9	.615	15.62	.538	13.7	.4375-.05P-.1L
8	.653	16.6	.675	17.15	.587	14.9	.5000-.05-.1L
9	.715	18.0	.840	21.34	.648	16.5	.5625-.05P-.1L
10	.778	19.7	.905	22.95	.712	18.1	.6250-.05P-.1L
11	.840	21.3	.948	24.1	.778	19.8	.6875-.05P-.1L
13	.965	24.4	.995	25.27	.904	22.9	.8125-.1P-.2L
16	1.150	29.2	1.261	32.03	1.092	27.7	1.000-.1P-.2L
17	1.215	30.8	1.321	33.55	1.158	29.4	1.062-.1P-.2L
19	1.340	34.0	1.447	36.8	1.283	32.6	1.1875-.1P-.2L
21	1.477	37.5	1.570	39.88	1.412	35.8	1.3125-.1P-.2L

**NOTES**

*Materials and Finishes*

1. Cover: Aluminum alloy or stainless steel
2. Gasket: Fluorosilicone rubber
3. Wire, Hardware: Stainless steel, passivated

Lanyard Options	
	-65° to +100°C., black, very flexible, very good abrasion resistance, good resistance to fuels, .120" (3mm) diameter
	Black polyurethane over stainless steel rope, -65° to +125°C., very flexible, excellent abrasion resistance, excellent resistance to fuels, .080" (2mm) diameter
	Translucent FEP jacket over stainless steel, -65° to +200°C., fair flexibility, good abrasion resistance, .100" diameter
	Stainless steel, #8 chain, .240" (6mm)
	65° to +100°C., black, very flexible, very good abrasion resistance, good resistance to fuels, .120" (3mm) diameter. Length includes .5" (13mm) diameter loop.

Dimensions in Inches (millimeters) are subject to change without notice.

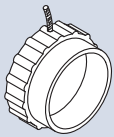
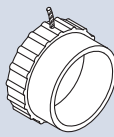
# Series 801 Mighty Mouse and Series 811 High Density Rubber Protective Cover

## 809-190 and 809-191 Ordering Information



**Splashproof Molded Rubber Covers** fit all Series 801 and 811 plugs and receptacles. Braided black nylon lanyard is available with metal rings, cable tie or slipknot for attachment to panel or to cable. -40° to +120° C operating temperature, fungus resistant per MIL-STD-810G Method 508.6.


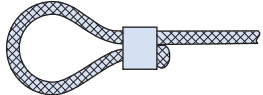

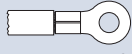
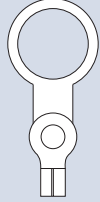
How To Order	
<b>Sample Part Number</b>	<b>809-191</b> -05 G 6 -SCS 6
<b>Series (See Table I)</b>	809-191 = Plug Cover 809-190 = Receptacle Cover
<b>Shell Size</b>	5, 6, 7, 8, 9, 10, 11, 13, 16, 17, 19, 21
<b>Lanyard Type</b>	G = Nylon Rope Omit for no lanyard
<b>Attachment Length (inches)</b>	Omit for attachment Type N (No Attachment) Example: "-6" equals six inch length
<b>Attachment Type (See Table II)</b>	-WS = Nylon Cable -SCS = Adjustable Slip Knot -00 = Lanyard with No Attachment Lug Terminals = -01 thru -07 Solid Ring = -08 thru -33
<b>Material</b>	Omit for Neoprene Rubber per ASTM-D-2000 BC610Z1 C = Conductive Neoprene Blend (Conductance = 100K Ohms/Sq. Minimum)

Table I: Cover Style	
	
<b>809-190</b> Receptacle Cover	<b>809-191</b> Plug Cover

### NOTES

#### Materials and Finishes

- Cover: neoprene rubber blend, black
- Lanyard: .062" (1.57) diameter nylon cord, black
- Cable tie: 6/6 nylon, black, SST locking tab
- Ring: stainless steel, black zinc-cobalt finish
- Crimp sleeve: copper alloy, black zinc-cobalt finish

Table II: Attachment Code	
	<b>-WS</b> Nylon Cable Tie, 1.77 Inch (45mm) Maximum Wire Bundle Diameter
	<b>-SCS</b> Adjustable Slip Knot with Crimp Sleeve. The sleeve can be crimped with pliers for a permanent attachment.
	<b>-00</b> Lanyard With No Attachment (Fused End)
Lug Terminals and Rings	
	<b>-01</b> - .126 (3.20) I.D. <b>-02</b> - .140 (3.56) I.D. <b>-03</b> - .145 (3.68) I.D. <b>-04</b> - .156 (3.96) I.D. <b>-05</b> - .167 (4.24) I.D. <b>-06</b> - .188 (4.78) I.D. <b>-07</b> - .197 (5.00) I.D.
	<b>-08</b> - .385 (9.78) I.D. <b>-09</b> - .445 (11.30) I.D. <b>-11</b> - .570 (14.48) I.D. <b>-13</b> - .635 (16.13) I.D. <b>-14</b> - .695 (17.65) I.D. <b>-16</b> - .885 (22.48) I.D. <b>-19</b> - 1.070 (27.18) I.D. <b>-20</b> - 1.135 (28.83) I.D. <b>-22</b> - 1.210 (30.73) I.D. <b>-23</b> - 1.275 (32.39) I.D. <b>-26</b> - .950 (24.10) I.D. <b>-27</b> - .766 (19.50) I.D. <b>-29</b> - .315 (8.00) I.D. <b>-30</b> - 1.380 (35.10) I.D. <b>-32</b> - .265 (6.70) I.D. <b>-33</b> - .510 (13.00) I.D.



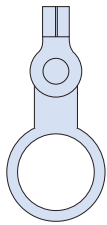
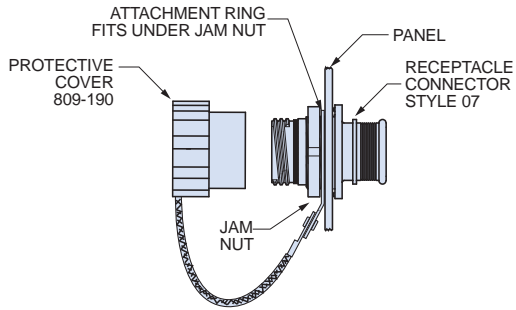
Dimensions in Inches (millimeters) are subject to change without notice.



# Series 801 Mighty Mouse and Series 811 High Density Rubber Protective Cover

## 809-190 and 801-191 Dimensions

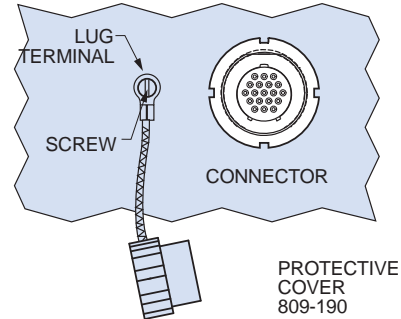
### 809-190 Cover Attachment for RPM Jam Nut Receptacle



Solid Ring

Atch. Code	Shell Size	Ring I.D.		Ring O.D.	
		In. ± .010	mm. ±0.25	In. ± .015	mm. ± 0.38
08	5	.385	9.78	.51	12.95
09	6	.445	11.30	.57	14.35
11	7, 8	.570	14.48	.69	17.40
13	9	.635	16.13	.76	19.30
14	10	.695	17.65	.82	20.82
27	11	.766	19.46	.89	22.61
16	13	.885	22.48	1.01	25.65
19	16	1.070	27.17	1.20	30.35
20	17	1.135	28.83	1.25	31.75
23	19	1.275	32.39	1.37	34.80
30	21	1.380	35.05	1.48	37.59

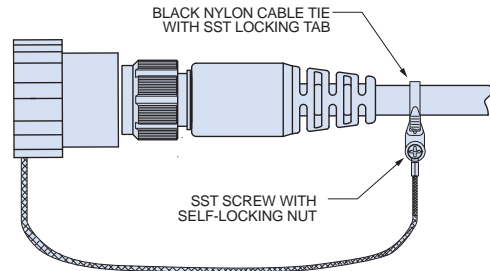
### 809-190 Cover Attachment to Panel with a Screw



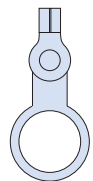
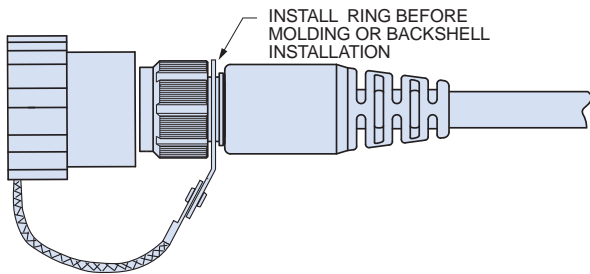
Lug Terminal for Attaching Receptacle Covers to a Panel with a Screw	Atch. Code	Screw Size	Ring I.D.		Ring O.D.	
			In. ±.005	mm. ±0.13	In. Max.	mm. Max.
01	#4, M3	.126	3.20	.31	7.9	
02	#6	.145	3.68	.31	7.9	
06	#8, M4	.188	4.78	.31	7.9	
07	#10	.197	5.00	.31	7.9	

X

### 809-190 and 191 Cover Attachment for Cable Assembly with Type WS Cable Tie



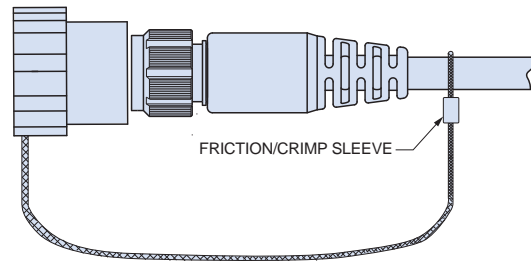
### 809-190 and 801-191 Cover Attachment to Cable Assembly



Solid Ring

Atch. Code	Shell Size	Ring I.D.		Ring O.D.	
		In. ± .010	mm. ±0.25	In. ± .015	mm. ± 0.38
29	5	.315	8.00	.44	11.18
08	6	.385	9.80	.51	13.0
33	7,8	.510	12.95	.62	15.75
11	9	.570	14.48	.69	17.53
13	10	.635	16.13	.76	19.30
14	11,13	.695	17.65	.82	20.83
26	16,17	.950	24.13	1.14	28.96
19	19	1.070	27.18	1.20	30.48
22	21	1.210	30.73	1.31	33.27

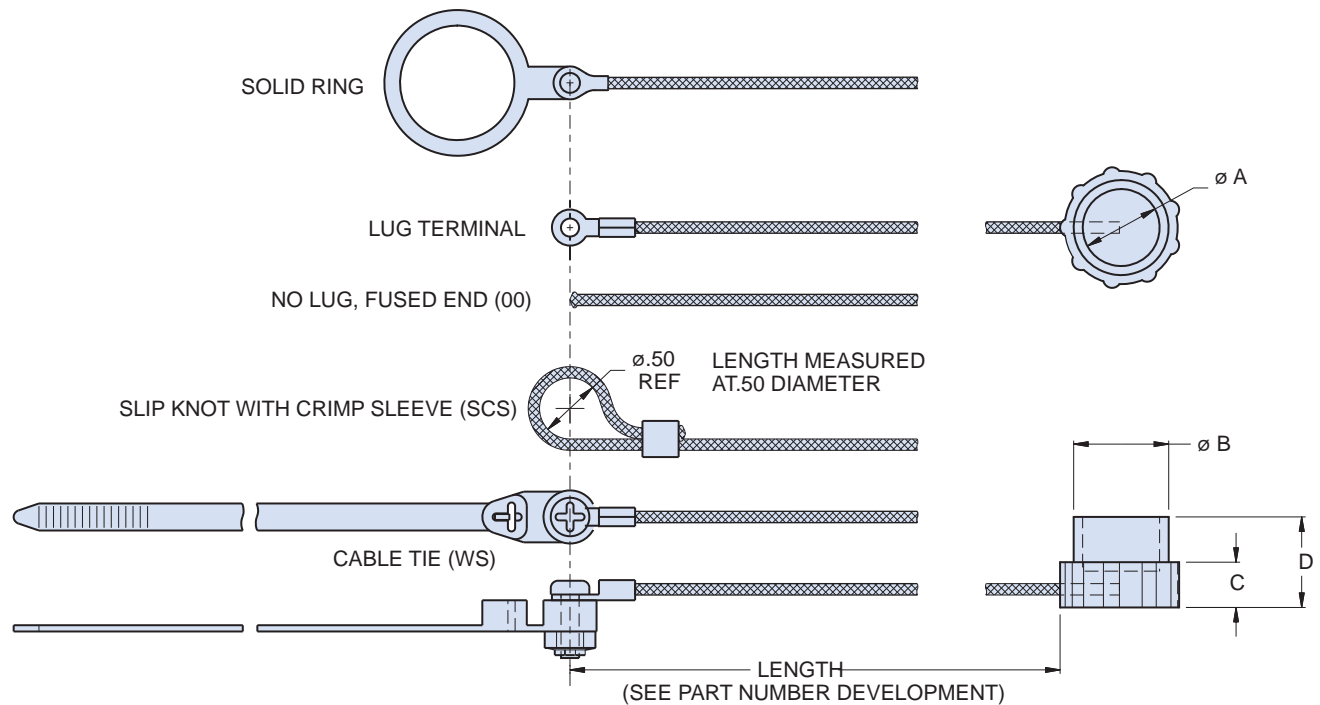
### 809-190 and 191 Cover Attachment for Cable Assembly with Type SCS Slip Knot



Dimensions in Inches (millimeters) are subject to change without notice.

# Series 801 Mighty Mouse and Series 811 High Density Rubber Protective Cover

## 809-190 and 801-191 Dimensions



809-190 Receptacle Cover								
Shell Size	Ø A		Ø B		C ± .010 (0.3)		D ± .010 (0.3)	
	In.	mm.	In.	mm.	In.	mm.	In.	mm.
05	.28	7.1	.41	10.4	.31	7.9	.62	15.7
06	.35	8.9	.47	11.9	.31	7.9	.62	15.7
07	.41	10.4	.53	13.5	.31	7.9	.62	15.7
08	.47	11.9	.60	15.2	.31	7.9	.62	15.7
09	.53	13.5	.66	16.8	.31	7.9	.62	15.7
10	.60	15.2	.72	18.3	.31	7.9	.62	15.7
11	.66	16.8	.78	20.1	.31	7.9	.62	15.7
13	.78	19.8	.91	23.1	.31	7.9	.62	15.7
16	.97	24.6	1.10	27.9	.31	7.9	.62	15.7
17	1.03	26.2	1.16	29.5	.31	7.9	.62	15.7
19	1.16	26.46	1.28	35.51	.31	7.9	.62	15.7
21	1.28	35.51	1.41	35.81	.31	7.9	.62	15.7

809-191 Plug Cover								
Shell Size	Ø A		Ø B		C		D	
	In.	mm.	In.	mm.	In.	mm.	In.	mm.
05	.51	13.0	.70	17.8	.375	9.5	.875	22.2
06	.57	14.5	.76	19.3	.375	9.5	.875	22.2
07	.66	16.8	.85	21.6	.375	9.5	.875	22.2
08	.72	18.3	.91	23.1	.375	9.5	.875	22.2
09	.78	19.8	.97	24.6	.375	9.5	.875	22.2
10	.85	21.6	1.03	26.2	.375	9.5	.875	22.2
11	.89	22.6	1.08	27.4	.375	9.5	.875	22.2
13	1.02	25.4	1.21	30.7	.375	9.5	.875	22.2
16	1.21	30.7	1.40	35.6	.375	9.5	.875	22.2
17	1.27	32.3	1.46	37.1	.375	9.5	.875	22.2
19	1.38	35.05	1.56	39.62	.375	9.5	.875	22.2
21	1.52	38.60	1.71	43.43	.375	9.5	.875	22.2

Dimensions in Inches (millimeters) are subject to change without notice.





# Series 811 Mighty Mouse High Density (HD) Metal Protective Covers

667-347 and 667-218



### Protect Connectors From Damage

Machined aluminum covers have rubber gaskets for a watertight fit.

### Stainless Steel Fittings and Rings


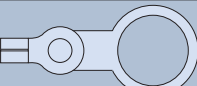

Choose small diameter eye fittings for panel attachment. Larger rings fit under the jam nut or over cable jackets. Split rings can be installed on fully assembled cables.

### Polyurethane-Coated SST Wire Rope

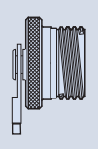
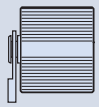
offers high strength, excellent abrasion resistance and good flexibility. Or, choose Teflon® jacket for high temperature exposure.

**Braided Nylon Rope** provides excellent flexibility and good abrasion resistance, and can be ordered with slip knot fittings for easy installation on any size cable.

X

Table I: Attachment Code	
Omit for attachment types N (No Attachment) and SK (Slip Knot)	
Attachment Code	Inside Diameter
<b>Small Ring</b> 	
01	.126 (3.20) I.D.
02	.145 (3.68) I.D.
04	.188 (4.78) I.D.
06	.197 (5.00) I.D.
<b>Large Ring</b> 	
14	.385 (9.78) I.D.
15	.445 (11.30) I.D.
16	.570 (14.48) I.D.
17	.635 (16.13) I.D.
18	.695 (17.65) I.D.
19	.885 (22.48) I.D.
20	1.070 (27.17) I.D.
21	1.135 (28.83) I.D.
22	1.210 (30.73) I.D.
23	1.275 (32.39) I.D.
27	.766 (19.5) I.D.
29	.315 (8.0) I.D.
32	.265 (6.7) I.D.
33	.510 (13.0) I.D.
<b>Split Ring</b> 	
50	.420 (10.67) I.D.
52	.480 (12.19) I.D.
54	.635 (16.13) I.D.
56	.745 (18.92) I.D.
58	.885 (22.48) I.D.
60	1.010 (25.65) I.D.
64	1.125 (28.58) I.D.
68	1.345 (34.16) I.D.

How To Order						
Sample Part Number	667-347	-ME	-G	9	04	-6
<b>Series</b>	667-347 = Protective cover for use with series 811 plugs 667-218 = Protective Cover for use with Series 811 Receptacles					
<b>Shell Material / Finish</b>	ME = Aluminum / Electroless Nickel RoHS Compliant MT = Aluminum / Nickel-PTFE RoHS Compliant ZR = Aluminum / Zinc-Nickel with Black Chromate					
<b>Attachment Type</b>	-G = Nylon Rope -H = SST Wire Rope, Teflon® Jacket -N = No Attachment -S = SST Sash Chain -SK = Nylon Rope With Slip Knot -T = SST Wire Rope, No Jacket -U = SST Wire Rope, Polyurethane Jacket "SST" = Stainless Steel					
<b>Shell Size</b>	5, 6, 7, 8, 9					
<b>Attachment Code See Table I</b>	Small ring = 01, 02, 04, 06 Large ring = 14, 15, 16, 17, 18, 19, 20, 21, 22, 23, 27, 29, 32, 33 Split ring = 50, 52, 54, 56, 58, 60, 64, 68					
<b>Attachment Length in Inches</b>	Omit for attachment Type N (No Attachment) Example: "-6" equals six inch length					

Table I: Cover Style	
	
667-347 Plug Cover	667-218 Receptacle Cover

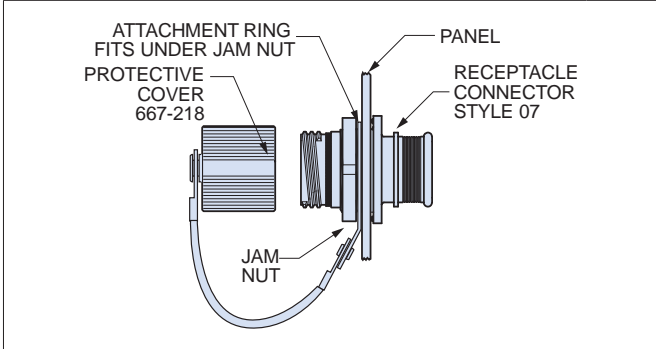
Dimensions in Inches (millimeters) are subject to change without notice.

# Series 811 Mighty Mouse High Density (HD) Metal Protective Cover

667-347 and 667-218 Dimensions and Attachments

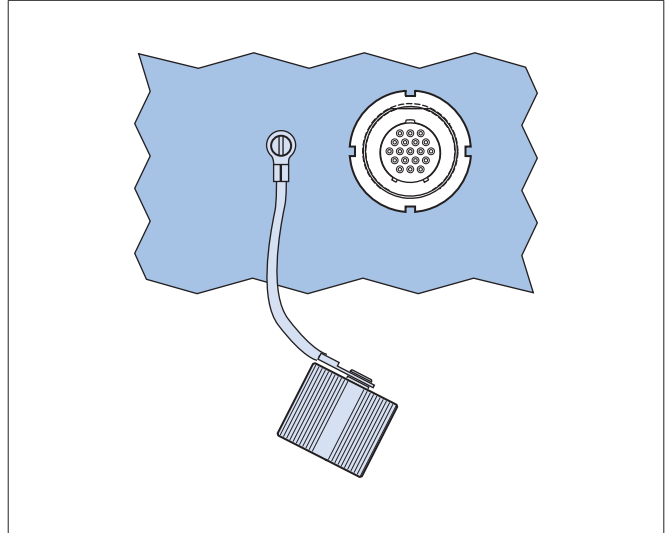


## 667-218 Cover Attachment to RPM Jam Nut Receptacle



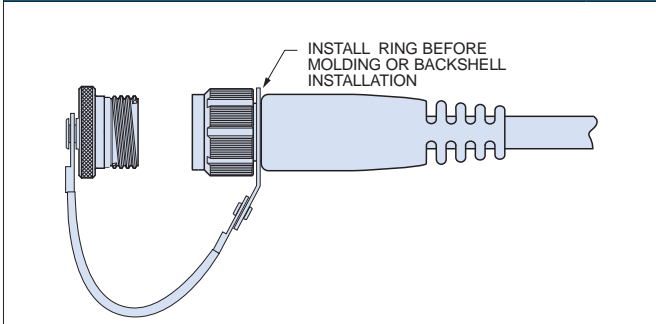
Solid Ring	Attch. Code	Shell Size	Ring I.D.		Ring O.D.	
			In.	mm.	In.	mm.
			± .010	±0.25	± .015	± 0.38
	14	5	.385	9.78	.510	12.95
	15	6	.445	11.30	.565	14.35
	16	7, 8	.570	14.48	.685	17.40
	17	9	.635	16.13	.760	19.30

## 667-218 Cover Attachment to Panel with Screw



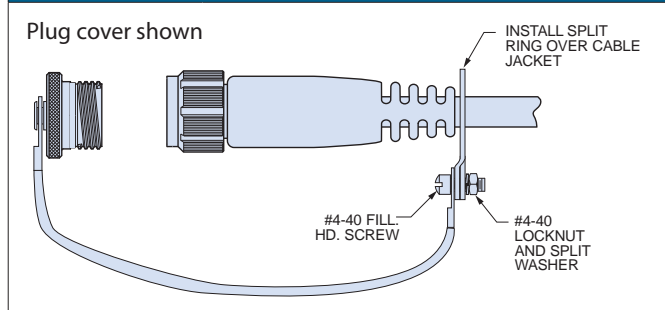
Small Ring for Attaching Receptacle Covers to a Panel with a Screw	Attch. Code	Screw Size	Ring I.D.		Ring O.D.	
			In.	mm.	In.	mm.
			±.005	±0.13	Max.	Max.
	01	#4, M3	.126	3.20	.31	7.9
	02	#6	.145	3.68	.31	7.9
	04	#8, M4	.188	4.78	.31	7.9
	06	#10	.197	5.00	.31	7.9

## 667-347 Cover Attachment to Cable Assembly



Solid Ring	Attch. Code	Shell Size	Ring I.D.		Ring O.D.	
			In.	mm.	In.	mm.
			± .010	±0.25	± .015	± 0.38
	14	5,6	.385	9.78	.510	12.95
	15	7	.445	11.30	.565	14.35
	16	8, 9	.570	14.48	.685	17.40

## 667-347 Cover Attachment to Cable



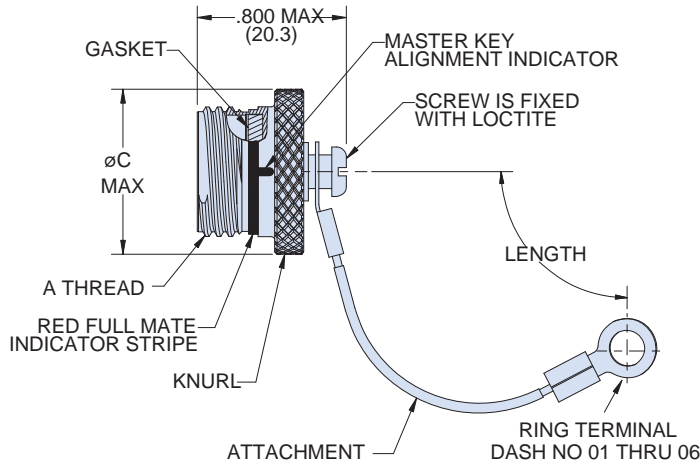
Large Split Ring for Attaching Covers to Cables	Attch. Code	Max. Cable Dia. (in.)	Ring Diameter			
			Min. ID		Max. OD	
			In.	mm.	In.	mm.
	50	.410	.420	10.67	.580	14.73
	52	.470	.480	12.19	.640	16.26
	54	.625	.635	16.13	.796	20.22
	56	.735	.745	18.92	.905	22.99
	58	.875	.885	22.48	1.046	26.57
	60	1.000	1.010	25.65	1.171	29.74
	64	1.115	1.125	28.58	1.285	32.64
	68	1.335	1.345	34.16	1.505	38.23

Dimensions in Inches (millimeters) are subject to change without notice.

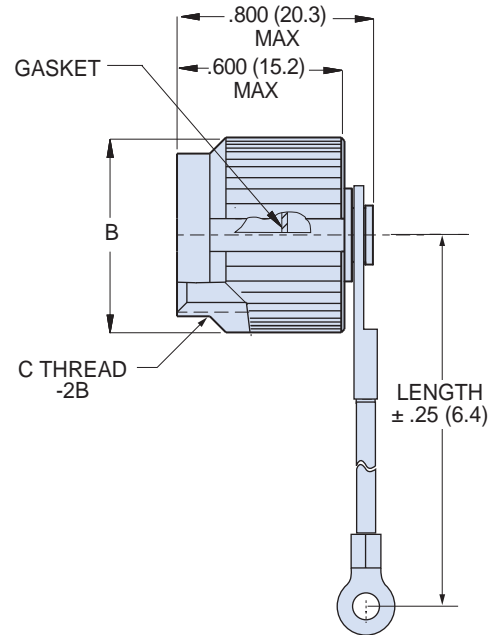


# Series 811 Mighty Mouse High Density (HD) Metal Protective Cover

667-347 and 667-218 Dimensions and Attachments



**667-347 Plug Cover**



**667-218 Receptacle Cover**

X

Shell Size	A Max.		B Max.		C Thread
	In.	mm.	In.	mm.	
5	.465	11.81	.488	12.40	.3125-.05P-.1L
6	.525	13.34	.555	14.10	.3750-.05P-.1L
7	.590	14.99	.615	15.62	.4375-.05P-.1L
8	.653	16.59	.675	17.15	.5000-.05-.1L
9	.715	18.16	.840	21.34	.5625-.05P-.1L

**NOTES**

*Materials and Finishes*

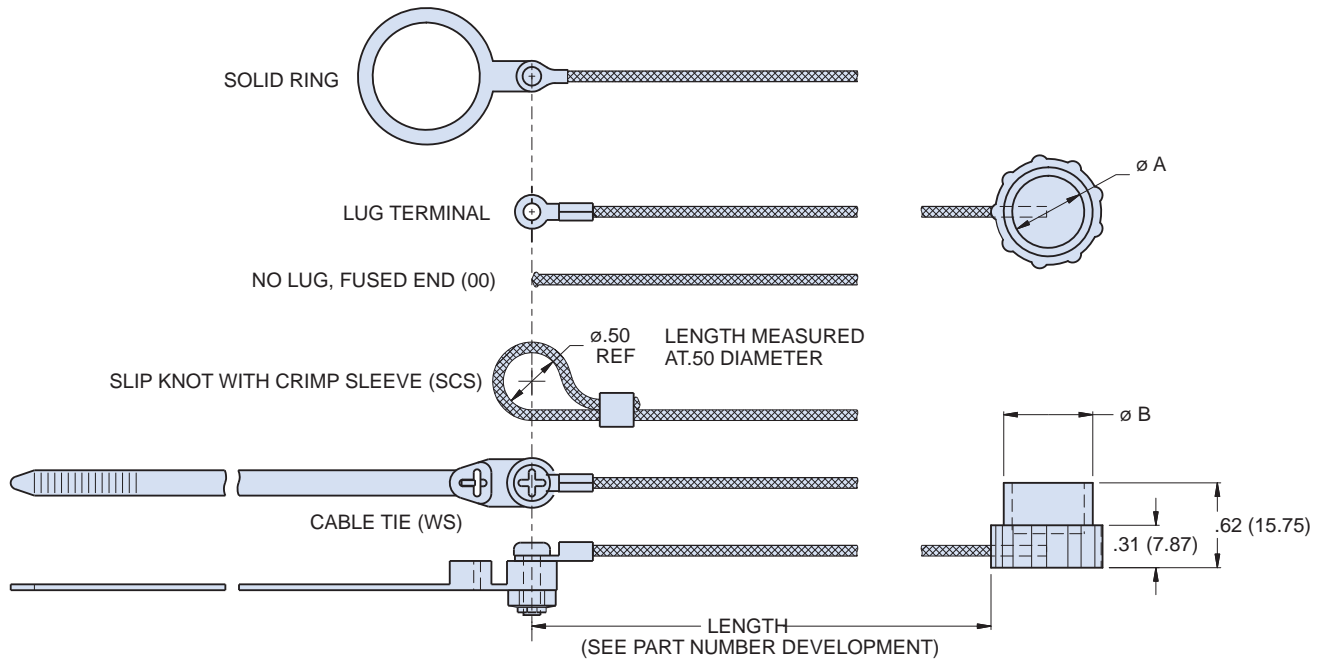
- Cover: aluminum alloy or stainless steel
- Gasket: silicone rubber
- Wire, hardware: stainless steel, passivated

Lanyard Options	
	-65° to +100°C., black, very flexible, very good abrasion resistance, good resistance to fuels, .120" (3mm) diameter
	Black polyurethane over stainless steel rope, -65° to +125°C., very flexible, excellent abrasion resistance, excellent resistance to fuels, .080" (2mm) diameter
	Translucent FEP jacket over stainless steel, -65° to +200°C., fair flexibility, good abrasion resistance, .100" diameter
	Stainless steel, #8 chain, .240" (6mm)
	65° to +100°C., black, very flexible, very good abrasion resistance, good resistance to fuels, .120" (3mm) diameter. Length includes .5" (13mm) diameter loop.

Dimensions in Inches (millimeters) are subject to change without notice.

# Series 811 Mighty Mouse High Density (HD) Rubber Protective Cover

## 809-190 and 809-191 Dimensions and Attachments



809-190 Receptacle Cover Dimensions				
Shell Size	Ø A		Ø B	
	In.	mm.	In.	mm.
-05	.28	7.1	.41	10.4
-06	.35	8.9	.47	11.9
-07	.41	10.4	.53	13.5
-08	.47	11.9	.60	15.2
-09	.53	13.5	.66	16.8

809-191 Plug Cover Dimensions				
Shell Size	Ø A		Ø B	
	In.	mm.	In.	mm.
-05	.51	13.0	.70	17.8
-06	.57	14.5	.76	19.3
-07	.66	16.8	.85	21.6
-08	.72	18.3	.91	23.1
-09	.78	19.8	.97	24.6

Dimensions in Inches (millimeters) are subject to change without notice.



# Series 802 AquaMouse™ Submersible IP68 Protective Cover

## 660-087 and 660-088 Ordering Information



**Protect Connectors From Damage** – These covers prevent ingress of water and contamination. Stainless steel plug covers feature Viton® O-rings for IP68 sealing (one meter for one hour). Receptacle covers have a Viton® gasket and are made from marine bronze to minimize galling. Both products are designed for low PSI connector protection. For 3500 PSI protection, use part numbers 667-241 and -242

**Three Types of Attachment Rings**  
Choose small diameter eye fittings for panel attachment. Larger rings fit under

the jam nut or over cable jackets. Split rings can be installed on fully assembled cables.

**Polyurethane-Coated SST Wire Rope** offers high strength, excellent abrasion resistance and good flexibility. Or, choose Teflon® jacket for high temperature exposure.

**Braided Nylon Rope** provides excellent flexibility and good abrasion resistance, and can be ordered with slip knot fittings for easy installation on any size cable.

X

How To Order	
<b>Sample Part Number</b>	<b>667-087</b> <b>-9</b> <b>G</b> <b>04</b> <b>-6</b> <b>B</b>
<b>Series (See Table I)</b>	<b>660-087</b> = Plug Cover <b>660-088</b> = Receptacle Cover
<b>Shell Size</b>	<b>-5, -6, -7, -8, -9, -10, -12, -14, -15, -21</b>
<b>Attachment Type</b>	<b>G</b> = Nylon Rope <b>H</b> = SST Wire Rope, Teflon® Jacket <b>N</b> = No Attachment <b>S</b> = SST Sash Chain <b>SK</b> = Nylon Rope With Slip Knot <b>T</b> = SST Wire Rope, No Jacket <b>U</b> = SST Wire Rope, Polyurethane Jacket  "SST" = Stainless Steel
<b>Attachment Code (See Table II)</b>	Small Ring = <b>01, 02, 04, 06</b> Solid Ring = <b>14</b> thru <b>33</b> Split Ring = <b>50</b> thru <b>72</b>
<b>Attachment Length (inches)</b>	Omit for attachment Type N (No Attachment) Example "-6" equals six inch length
<b>Alternate Key Position</b>	Omit for 660-088 receptacle covers Omit for plug connectors with standard "A" key position, for all other positions indicate <b>B, C</b> or <b>D</b>


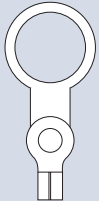
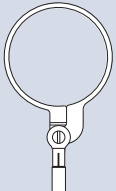
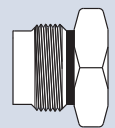
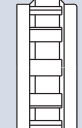
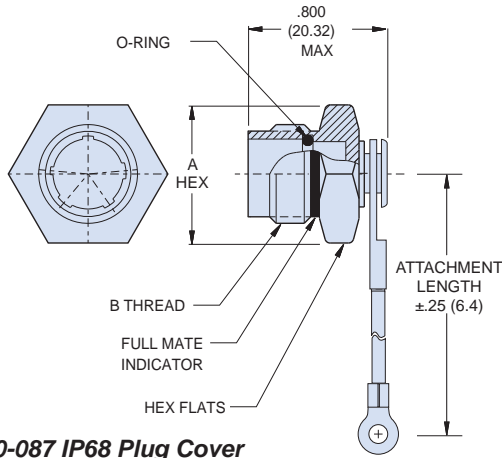
Table II: Attachment Code	
Omit for attachment types <b>N</b> (No Attachment) and <b>SK</b> (Slip Knot)	
 Small Ring	<b>01</b> - .126 (3.20) I.D. <b>02</b> - .145 (3.68) I.D. <b>04</b> - .188 (4.78) I.D. <b>06</b> - .197 (5.00) I.D.
 Solid Ring	<b>32</b> - .265 (6.73) I.D. <b>29</b> - .315 (8.00) I.D. <b>14</b> - .385 (9.78) I.D. <b>15</b> - .445 (11.30) I.D. <b>33</b> - .510 (21.95) I.D. <b>16</b> - .570 (14.48) I.D. <b>17</b> - .635 (16.13) I.D. <b>18</b> - .695 (17.65) I.D. <b>27</b> - .766 (19.46) I.D. <b>31</b> - .820 (20.83) I.D. <b>19</b> - .885 (22.48) I.D. <b>26</b> - .950 (24.13) I.D. <b>21</b> - 1.135 (28.83) I.D. <b>22</b> - 1.210 (30.73) I.D. <b>23</b> - 1.275 (32.39) I.D. <b>24</b> - 1.530 (38.86) I.D.
 Split Ring	<b>50</b> - .420 (10.67) I.D. <b>52</b> - .480 (12.19) I.D. <b>54</b> - .635 (16.13) I.D. <b>56</b> - .745 (18.92) I.D. <b>58</b> - .885 (22.48) I.D. <b>60</b> - 1.010 (25.65) I.D. <b>64</b> - 1.125 (28.58) I.D. <b>68</b> - 1.345 (34.16) I.D. <b>72</b> - 1.438 (36.53) I.D.

Table I: Cover Style	
	
<b>660-087</b> Plug Cover	<b>660-088</b> Receptacle Cover

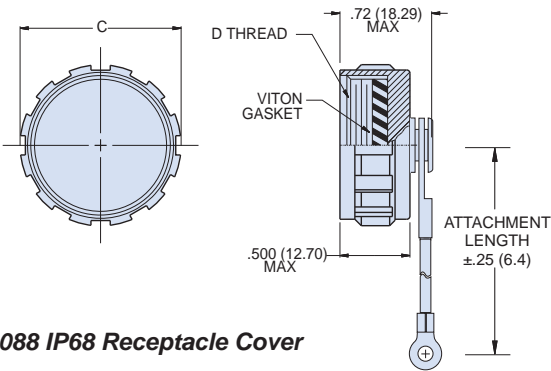
Dimensions in Inches (millimeters) are subject to change without notice.

# Series 802 AquaMouse™ Submersible IP68 Protective Cover

## 660-087 and 660-088 Dimensions



660-087 IP68 Plug Cover



660-088 IP68 Receptacle Cover

660-087 & -088 Dimensions						
Shell Size	A Hex		B Thread Class 2A	Ø C Max.		D Thread Class 2B
	In.	mm.		In.	mm.	
5	.500	12.70	.438-28 UNEF	.590	14.99	.438-28 UNEF
6	.625	15.88	.562-20 UN	.720	18.29	.562-20 UN
7	.688	17.48	.625-20 UN	.780	19.81	.625-20 UN
8	.750	19.05	.687-20 UN	.840	21.34	.687-20 UN
9	.812	20.62	.750-20 UNEF	.900	22.86	.750-20 UNEF
10	.875	22.23	.812-20 UNEF	.970	24.89	.812-20 UNEF
12	.938	23.83	.875-20 UNEF	1.030	26.16	.875-20 UNEF
14	1.125	28.58	1.062-20 UN	1.220	30.99	1.062-20 UN
15	1.188	30.18	1.125-20 UN	1.280	32.51	1.125-20 UN
21	1.562	39.67	1.438-20 UN	1.610	40.89	1.438-20 UN

Table IV: Attachment Options

Small Ring for Attaching Receptacle Covers to a Panel with a Screw	Attch. Code	Screw Size	Ring I.D.		Ring O.D.	
			In.	mm.	In.	mm.
			±.005	±0.13	Max.	Max.
01	#4, M3	.126	3.20	.31	7.9	
02	#6	.145	3.68	.31	7.9	
04	#8, M4	.188	4.78	.31	7.9	
06	#10	.197	5.00	.31	7.9	

Large Solid Ring for Attaching Receptacle Covers to Jam Nut Receptacles	Attch. Code	Plug Cover Shell Size	Recept. Cover Shell Size	Ring I.D.		Ring O.D.	
				In.	mm.	In.	mm.
				±.005	±0.13	Max.	Max.
32	5			.265	6.73	.37	9.40
29	6			.315	8.00	.44	11.18
15	7			.445	11.30	.57	14.48
33	8	5		.510	12.95	.62	15.75
16	9			.570	14.48	.69	17.53
17	10	6		.635	16.13	.76	19.30
18	12	7		.695	17.65	.82	20.83
27		8		.766	19.46	.89	22.61
31		9		.820	20.83	1.00	25.40
19	14	10		.885	22.48	1.01	25.65
26	15	12		.950	24.13	1.14	28.96
21		14		1.135	28.83	1.25	31.75
22		15		1.210	30.73	1.31	33.27
23	21			1.275	32.39	1.37	34.80
24		21		1.530	38.86	1.63	41.40

Large Split Ring for Attaching Covers to Cables	Attch. Code	Max. Cable Dia.	Min. ID	Max. OD		
				In.	mm.	
50		.410	.420	10.67	.510	12.95
52		.470	.480	12.19	.570	14.48
54		.625	.635	16.13	.726	18.44
56		.735	.745	18.92	.835	21.21
58		.875	.885	22.48	.976	24.79
60		1.000	1.010	25.65	1.101	27.97
64		1.115	1.125	28.58	1.215	30.86
68		1.335	1.345	34.16	1.435	36.45
72		1.416	1.438	36.53	1.526	38.76

Slip Knot (SK) for Attaching Covers to Cable	Temperature Range	Material	Flexibility	Resistance	Loop Diameter
	-65° to +100°C.	black	very flexible	very good abrasion resistance, good resistance to fuels	.120" (3 mm) diameter
					Length includes .5" (13 mm) diameter loop.

**NOTES**

*Materials and Finishes*

- Plug Cover: 316 stainless steel, passivated
- Receptacle Cover: marine bronze, unplated
- O-Ring: Viton rubber
- Gasket: Viton rubber
- Wire, Hardware: Stainless steel, passivated

Dimensions in Inches (millimeters) are subject to change without notice.





# Series 802 AquaMouse™ Submersible 3500 PSI Protective Cover

## 667-241 and 667-242 Ordering Information



**Protect Connectors From Damage** – These covers prevent ingress of water and contamination. Stainless steel plug covers feature Viton® O-rings for 3500 PSI sealing. Receptacle covers have a Viton® gasket and are made from marine bronze to minimize galling. For low-pressure IP68 sealing only, choose part numbers 660-087 and -088.

**Polyurethane-Coated SST Wire Rope** offers high strength, excellent abrasion resistance and good flexibility. Or, choose Teflon® jacket for high temperature exposure.

**Braided Nylon Rope** provides excellent flexibility and good abrasion resistance, and can be ordered with slip knot fittings for easy installation on any size cable.

X

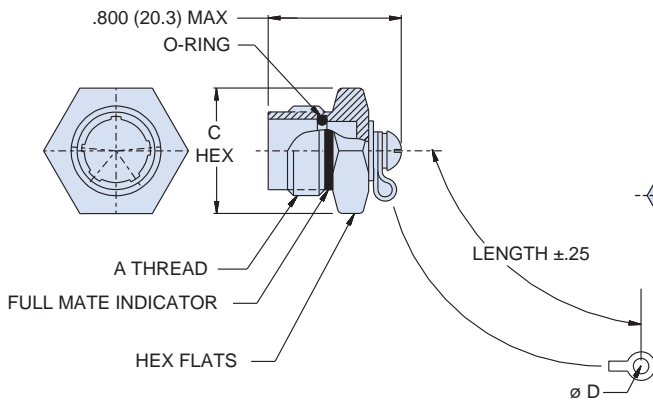
How To Order	
<b>Sample Part Number</b>	667-241 -S 6 03 -6
<b>Series (See Table I)</b>	667-241 = Plug Cover 667-242 = Receptacle Cover
<b>Attachment Type</b>	-D = Bead Chain, Cres., Passivate -F = Wire Rope, Nylon Jacket -G = Nylon Rope -H = SST Wire Rope, Teflon® Jacket -N = No Attachment -R = Wire Rope, PVC Jacket -S = SST Sash Chain -T = SST Wire Rope, No Jacket -U = SST Wire Rope, Polyurethane Jacket  "SST" = Stainless Steel
<b>Shell Size</b>	5, 6, 7, 8, 9, 10, 12, 14, 15, 21
<b>Attachment Code (See Table II)</b>	Small Ring = 01 thru 06 Solid Ring = 14 thru 33
<b>Attachment Length (inches)</b>	Omit for attachment Type N (No Attachment) Example "-6" equals six inch length

Table I: Cover Style	
667-241 High Pressure Plug Cover	667-242 High Pressure Receptacle Cover

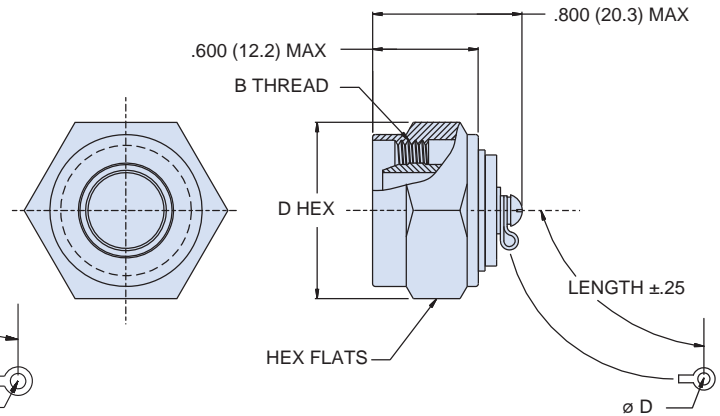
Table II: Attachment Code	
Omit for attachment Type N (No Attachment)	
 Small Ring	01 – .125 (3.2) I.D. 02 – .140 (3.6) I.D. 04 – .182 (4.6) I.D. 06 – .197 (5.0) I.D.
 Solid Ring	14 – .385 (9.8) I.D. 15 – .445 (11.3) I.D. 16 – .570 (14.5) I.D. 17 – .635 (16.1) I.D. 18 – .695 (17.7) I.D. 19 – .885 (22.5) I.D. 20 – 1.070 (27.2) I.D. 21 – 1.135 (28.8) I.D. 22 – 1.210 (30.7) I.D. 23 – 1.275 (32.4) I.D. 24 – 1.530 (38.9) I.D. 26 – .510 (13.0) I.D. 27 – .766 (19.5) I.D. 28 – 1.015 (25.8) I.D. 29 – .315 (8.0) I.D. 30 – 1.380 (35.1) I.D. 31 – .820 (20.8) I.D. 32 – .265 (6.7) I.D. 33 – .510 (13.0) I.D.

Dimensions in Inches (millimeters) are subject to change without notice.

# Series 802 AquaMouse™ Submersible 3500 PSI Protective Cover 667-241 and 667-242 Dimensions



**667-241 High-Pressure Plug Cover**



**667-242 High-Pressure Receptacle Cover**





**667-241 (Plug Cover) Dimensions**

Attachment Code	Shell Size	A Thread	C Hex.	
			In.	mm.
32	5	.4375-28 UNEF-2A	.500	12.70
14	6	.5625-20 UN-2A	.625	15.88
33	7	.6250-20 UN-2A	.688	17.48
16	8	.6875-20 UN-2A	.750	19.05
17	9	.7500-20 UNEF-2A	.812	20.62
17	10	.8125-20 UNEF-2A	.875	22.23
18	12	.8750-20 UNEF-2A	.938	23.83
19	14	1.0625-20 UN-2A	1.125	28.58
26	15	1.1250-20 UN-2A	1.188	30.18
23	21	1.4375-20 UN-2A	1.562	39.67

**667-242 (Receptacle Cover) Dimensions**

Attachment Code	Shell Size	B Thread	D Hex	
			In.	mm.
33	5	.4375-28 UNEF-2B	.500	12.70
17	6	.5625-20 UN-2B	.625	15.88
18	7	.6250-20 UN-2B	.688	17.48
27	8	.6875-20 UN-2B	.750	19.05
31	9	.7500-20 UNEF-2B	.812	20.62
19	10	.8125-20 UNEF-2B	.875	22.23
26	12	.8750-20 UNEF-2B	.938	23.83
21	14	1.0625-20 UN-2B	1.125	28.58
22	15	1.1250-20 UN-2B	1.188	30.2
24	21	1.4375-20 UN-2B	1.562	39.7

**Table V: Lanyard Options**

	-65° to +100°C., black, very flexible, very good abrasion resistance, good resistance to fuels, .120" (3mm) diameter
	Black polyurethane over stainless steel rope, -65° to +125°C., very flexible, excellent abrasion resistance, excellent resistance to fuels, .080" (2mm) diameter
	Translucent FEP jacket over stainless steel rope, -65° to +200°C., fair flexibility, good abrasion resistance, .100" diameter
	Stainless steel, #8 chain, .240" (6mm)

**NOTES**

*Materials and Finishes*

- Plug Cover: 316 Stainless Steel
- Receptacle Cover: Nickel-Aluminum-Bronze.
- Receptacle Shell: 316 Stainless Steel
- Plug O-Ring: Viton
- Receptacle Gasket: Fluorosilicone

Dimensions in Inches (millimeters) are subject to change without notice.







# Series 803 Mighty Mouse ¼ Turn Bayonet Coupling Protective Cover

660-082 and 660-083 Ordering Information

### Protect Connectors From Damage

Machined aluminum covers prevent ingress of contamination and water.

### Stainless Steel Fittings and Rings

Choose small diameter eye fittings for panel attachment. Larger rings fit under the jam nut or over cable jackets. Split rings can be installed on fully assembled cables.

### Polyurethane-Coated SST Wire Rope

offers high strength, excellent abrasion resistance and good flexibility. Or, choose Teflon® jacket for high temperature exposure.

### Braided Nylon Rope

provides excellent flexibility and good abrasion resistance, and can be ordered with slip knot fittings for easy installation on any size cable.



X

How To Order						
Sample Part Number	660-082	-M	S	12	04	-6
Series (See Table I)	660-082 = Plug Cover 660-083 = Receptacle Cover					
Shell Material / Finish	<b>C</b> = Aluminum / Black Anodize (Non-Conductive) RoHS Compliant <b>M</b> = Aluminum / Electroless Nickel RoHS Compliant <b>NF</b> = Aluminum / Cadmium with Olive Drab Chromate <b>ZN</b> = Aluminum / Zinc-Nickel with Olive Drab Chromate <b>UCR</b> = Aluminum / Zinc-Cobalt with Black Chromate RoHS Compliant <b>ZNU</b> = Aluminum / Zinc-Nickel with Black Chromate <b>MT</b> = Aluminum / Nickel-PTFE RoHS Compliant <b>Z1</b> = Stainless Steel / Passivated RoHS Compliant					
Attachment Type	<b>D</b> = Bead Chain, CRES, Passivate <b>F</b> = Wire Rope, Nylon Jacket <b>G</b> = Nylon Rope <b>H</b> = SST Wire Rope, Teflon® Jacket <b>N</b> = No Attachment <b>R</b> = Wire Rope, PVC Jacket <b>S</b> = SST Sash Chain <b>SK</b> = Nylon Rope With Slip Knot <b>T</b> = SST Wire Rope, No Jacket <b>U</b> = SST Wire Rope, Polyurethane Jacket  "SST" = Stainless Steel					
Shell Size	5, 6, 7, 8, 9, 10, 12, 14, 15					
Attachment Code (See Table II)	Small Ring = 01 thru 06 Large Ring = 14 thru 33 Split Ring = 50 thru 68					
Attachment Length (inches)	Omit for attachment Type N (No Attachment) Example "-6" equals six inch length					

Table I: Cover Style	
<b>660-082</b> Bayonet Plug Cover	<b>660-083</b> Bayonet Receptacle Cover

Table II: Attachment Code	
Omit for attachment types N (No Attachment) and SK (Slip Knot)	
	<b>01</b> - .126 (3.20) I.D. <b>02</b> - .145 (3.68) I.D. <b>04</b> - .188 (4.78) I.D. <b>06</b> - .197 (5.00) I.D.
	<b>14</b> - .385 (9.8) <b>15</b> - .445 (11.3) <b>16</b> - .570 (14.5) <b>17</b> - .635 (16.1) <b>18</b> - .695 (17.7) <b>19</b> - .885 (22.5) <b>20</b> - 1.070 (27.2) <b>21</b> - 1.135 (28.8) <b>22</b> - 1.210 (30.7) <b>23</b> - 1.275 (32.4) <b>25</b> - 1.530 (38.9) <b>26</b> - .950 (24.1) <b>27</b> - .766 (19.5) <b>28</b> - 1.015 (25.8) <b>29</b> - .315 (8.0) <b>30</b> - 1.380 (35.1) <b>31</b> - .820 (20.8) <b>32</b> - .265 (6.7) <b>33</b> - .510 (13.0)
	<b>50</b> - .420 (10.67) I.D. <b>52</b> - .480 (12.19) I.D. <b>54</b> - .635 (16.13) I.D. <b>56</b> - .745 (18.92) I.D. <b>58</b> - .885 (22.48) I.D. <b>60</b> - 1.010 (25.65) I.D. <b>64</b> - 1.125 (28.58) I.D. <b>68</b> - 1.345 (34.16) I.D.

Dimensions in Inches (millimeters) are subject to change without notice.

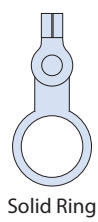
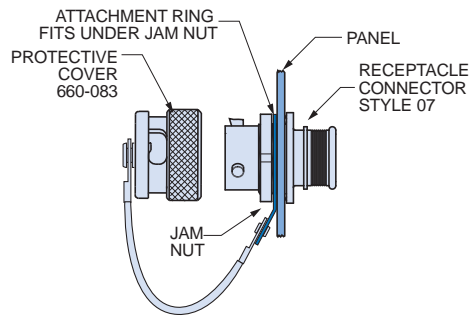
# Series 803 Mighty Mouse ¼ Turn Bayonet Coupling Protective Cover

## 660-082 and 660-083 Dimensions



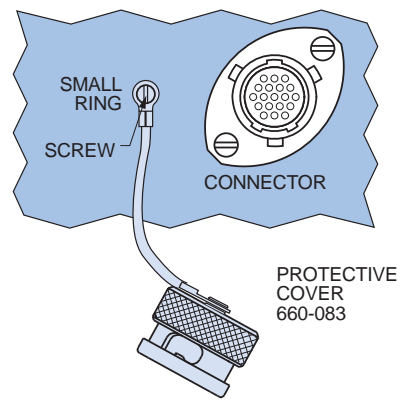
Accessories

### 660-083 Cover Attachment to RPM Jam Nut Receptacle



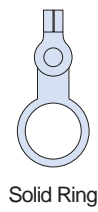
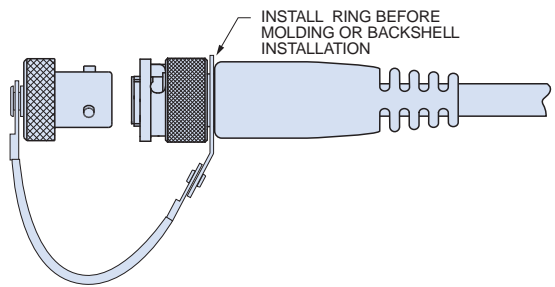
Atch. Code	Shell Size	Ring I.D.		Ring O.D.	
		In.	mm.	In.	mm.
		± .010	±0.25	± .015	± 0.38
14	5	.385	9.78	.51	12.95
15	6	.445	11.30	.57	14.48
16	7	.570	14.48	.69	17.53
17	8, 9	.635	16.13	.76	19.30
27	10	.766	19.46	.89	22.61
19	12	.885	22.48	1.01	25.65
20	14	1.070	27.18	1.20	30.48
21	15	1.135	28.83	1.25	31.75

### 660-083 Cover Attachment to Panel



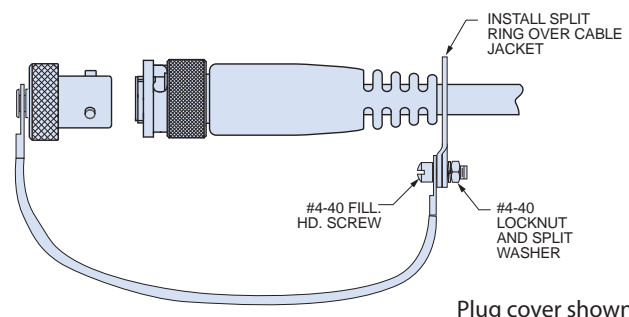
Atch. Code	Screw Size	Ring I.D.		Ring O.D.	
		In.	mm.	In.	mm.
		±.005	±0.13	Max.	Max.
01	#4, M3	.126	3.20	.31	7.9
02	#6	.145	3.68	.31	7.9
04	#8, M4	.188	4.78	.31	7.9
06	#10	.197	5.00	.31	7.9

### 660-082 & 083 Cover Attachment to Cable Assembly



Atch. Code	Shell Size	Ring I.D.		Ring O.D.	
		In.	mm.	In.	mm.
		± .010	±0.25	± .015	± 0.38
29	5	.315	8.00	.44	11.18
14	6	.315	8.00	.44	11.18
33	7, 8	.510	12.95	.62	15.75
16	9	.570	14.48	.69	17.53
17	10	.635	16.13	.76	19.30
18	12	.695	17.65	.82	20.83
26	14, 15	.950	24.13	1.14	28.96

### 660-082 & 083 Cover Attachment to Cable



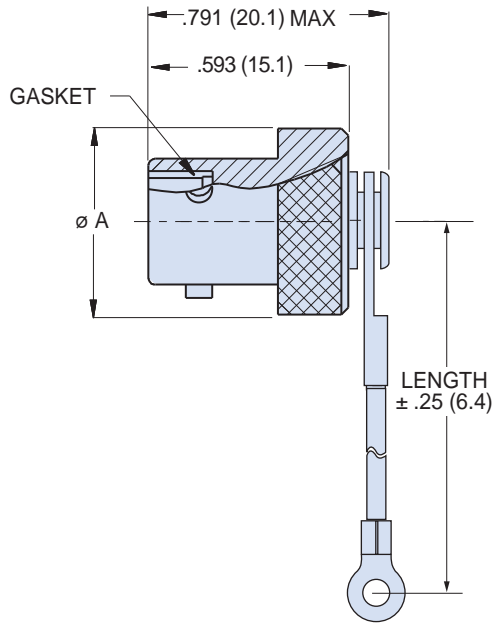
Atch. Code	Max. Cable Dia. (in.)	Ring Diameter			
		Min. ID		Max. OD	
		In.	mm.	In.	mm.
50	.410	.420	10.67	.580	14.73
52	.470	.480	12.19	.640	16.26
54	.625	.635	16.13	.796	20.22
56	.735	.745	18.92	.905	22.99
58	.875	.885	22.48	1.046	26.57
60	1.000	1.010	25.65	1.171	29.74
64	1.115	1.125	28.58	1.285	32.64
68	1.335	1.345	34.16	1.505	38.23

Dimensions in Inches (millimeters) are subject to change without notice.

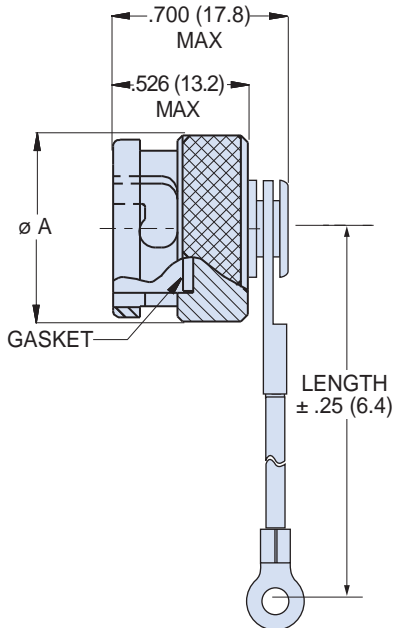




# Series 803 Mighty Mouse 1/4 Turn Bayonet Coupling Protective Cover 660-082 and 660-083 Dimensions



**Plug Cover**  
660-082



**Receptacle Cover**  
660-083

Dimensions		
Shell Size	Ø A Max.	
	In.	mm.
5	.620	15.7
6	.620	15.7
7	.620	15.7
8	.690	17.5
9	.760	19.3
10	.850	21.6
12	.940	23.8
14	1.170	29.7
15	1.170	29.7

### Lanyard Options

	-65° to +100°C., black, very flexible, very good abrasion resistance, good resistance to fuels, .120" (3mm) diameter
	Black polyurethane over stainless steel rope, -65° to +125°C., very flexible, excellent abrasion resistance, excellent resistance to fuels, .080" (2mm) diameter
	Translucent FEP jacket over stainless steel, -65° to +200°C., fair flexibility, good abrasion resistance, .100" diameter
	Stainless steel, #8 chain, .240" (6mm)
	65° to +100°C., black, very flexible, very good abrasion resistance, good resistance to fuels, .120" (3mm) diameter. Length includes .5" (13mm) diameter loop.

### NOTES

#### Materials and Finishes

- Cover: aluminum alloy or stainless steel
- Gasket: fluorosilicone rubber
- Wire, hardware: stainless steel, passivated

Dimensions in Inches (millimeters) are subject to change without notice.

# Series 804 Push-Pull Mighty Mouse Protective Receptacle Cover 667-202 Ordering Information



### Protect Connectors From Damage

Machined aluminum covers prevent ingress of contamination and water.

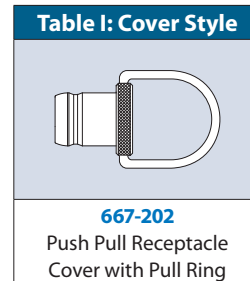
**Polyurethane-Coated SST Wire Rope** offers high strength, excellent abrasion resistance and good flexibility. Or, choose Teflon® jacket for high temperature exposure.

### Stainless Steel Fittings and Rings

Choose small diameter eye fittings for panel attachment. Larger rings fit under the jam nut or over cable jackets. Split rings can be installed on fully assembled cables.

**Braided Nylon Rope** provides excellent flexibility and good abrasion resistance, and can be ordered with slip knot fittings for easy installation on any size cable.

How To Order	
<b>Sample Part Number</b>	<b>667-202 M 9 H 6 -14 R</b>
<b>Series (See Table I)</b>	<b>667-202</b> = Receptacle Cover
<b>Shell Material / Finish</b>	<b>C</b> = Aluminum / Black Anodize (Non-Conductive) RoHS Compliant <b>M</b> = Aluminum / Electroless Nickel RoHS Compliant <b>NF</b> = Aluminum / Cadmium with Olive Drab Chromate <b>ZN</b> = Aluminum / Zinc-Nickel with Olive Drab Chromate <b>ZNU</b> = Aluminum / Zinc-Nickel with Black Chromate <b>MT</b> = Aluminum / Nickel-PTFE RoHS Compliant <b>Z1</b> = Stainless Steel / Passivated RoHS Compliant
<b>Shell Size</b>	<b>5, 6, 7, 8, 9, 10, 11, 12, 14,</b>
<b>Attachment Type</b>	<b>D</b> = Bead Chain, CRES, Passivate <b>F</b> = Wire Rope, Nylon Jacket <b>G</b> = Nylon Rope <b>H</b> = SST Wire Rope, Teflon® Jacket <b>N</b> = No Attachment <b>R</b> = Wire Rope, PVC Jacket <b>S</b> = SST Sash Chain <b>SK</b> = Nylon Rope With Slip Knot <b>T</b> = SST Wire Rope, No Jacket <b>U</b> = SST Wire Rope, Polyurethane Jacket  "SST" = Stainless Steel
<b>Attachment Length (inches)</b>	Omit for attachment Type N (No Attachment) Example: "-6" equals six inch length
<b>Attachment Code (See Table II)</b>	Small Ring = <b>01</b> thru <b>06</b> Large Ring = <b>14</b> thru <b>33</b> Split Ring = <b>50</b> thru <b>68</b>
<b>Pull Ring Option</b>	<b>R</b> = Supplied with Pull Ring (Omit for none)



**Table II: Attachment Code**

Omit for attachment types **N** (No Attachment) and **SK** (Slip Knot)

 Small Ring	<b>-01</b> - .126 (3.20) I.D.
	<b>-02</b> - .145 (3.68) I.D.
	<b>-04</b> - .188 (4.78) I.D.
	<b>-06</b> - .197 (5.00) I.D.
 Large Ring	<b>-15</b> - .445 (11.3) I.D.
	<b>-33</b> - .510 (13.0) I.D.
	<b>-17</b> - .635 (16.1) I.D.
	<b>-18</b> - .695 (17.7) I.D.
	<b>-27</b> - .766 (19.4) I.D.
	<b>-31</b> - .820 (20.) I.D.
 Split Ring	<b>-19</b> - .885 (22.5) I.D.
	<b>-28</b> - 1.015 (25.8) I.D.
	<b>-20</b> - 1.135 (28.8) I.D.
	<b>-50</b> - .420 (10.67) I.D.
	<b>-52</b> - .480 (12.19) I.D.
	<b>-54</b> - .635 (16.13) I.D.
	<b>-56</b> - .745 (18.92) I.D.
	<b>-58</b> - .885 (22.48) I.D.
<b>-60</b> - 1.010 (25.65) I.D.	
<b>-64</b> - 1.125 (28.58) I.D.	
<b>-68</b> - 1.345 (34.16) I.D.	

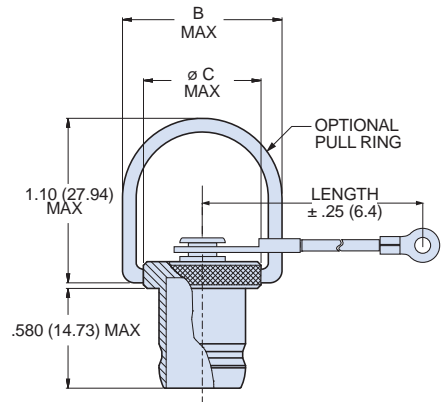
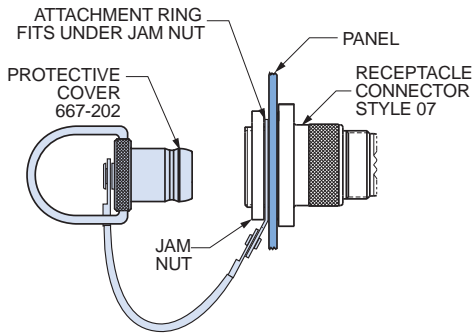
Dimensions in Inches (millimeters) are subject to change without notice.



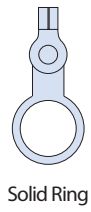
# Series 804 Push-Pull Mighty Mouse Protective Receptacle Cover

## 667-202 Dimensions

### 667-202 Cover Attachment to RPM Jam Nut Receptacle



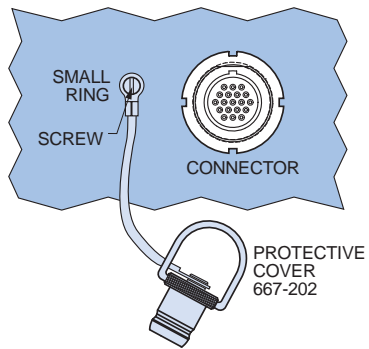
Dia. Code	Shell Size	Ring I.D.		Ring O.D.	
		In.	mm.	In.	mm.
		± .010	±0.25	± .015	± 0.38
<b>15</b>	5	.445	11.30	.57	14.48
<b>33</b>	6	.510	12.95	.62	15.75
<b>17</b>	7, 8	.635	16.13	.76	19.30
<b>18</b>	9	.695	17.65	.82	20.83
<b>27</b>	10	.766	19.46	.89	22.61
<b>31</b>	11	.820	20.83	1.00	25.40
<b>19</b>	12	.885	22.48	1.01	25.65
<b>28</b>	14	1.015	25.78	1.20	30.48
<b>20</b>	15	1.070	27.18	1.20	30.48



X

Dimensions					
Shell Size	Ø A Max.		Shell Size	Ø A Max.	
	In	mm		In	mm
5	.490	12.45	10	.773	19.63
6	.490	12.45	11	.805	20.45
7	.570	14.48	12	.860	21.84
8	.614	15.60	14	.980	24.89
9	.680	17.27	15	1.045	26.54

### 667-202 Cover Attachment to Panel



Dia. Code	Screw Size	Ring I.D.		Ring O.D.	
		In.	mm.	In.	mm.
		±.005	±0.13	Max.	Max.
01	#4, M3	.126	3.20	.31	7.9
02	#6	.145	3.68	.31	7.9
04	#8, M4	.188	4.78	.31	7.9
06	#10	.197	5.00	.31	7.9



Lanyard Options	
	-65° to +100°C., black, very flexible, very good abrasion resistance, good resistance to fuels, .120" (3mm) diameter
	Black polyurethane over stainless steel rope, -65° to +125°C., very flexible, excellent abrasion resistance, excellent resistance to fuels, .080" (2mm) diameter
	Translucent FEP jacket over stainless steel, -65° to +200°C., fair flexibility, good abrasion resistance, .100" diameter
	Stainless steel, #8 chain, .240" (6mm)
	65° to +100°C., black, very flexible, very good abrasion resistance, good resistance to fuels, .120" (3mm) diameter. Length includes .5" (13mm) diameter loop.

Dimensions in Inches (millimeters) are subject to change without notice.

# Series 804 Push-Pull Mighty Mouse Protective Plug Cover

## 809-198 Ordering Information



**Protect Connectors From Damage**  
Machined aluminum covers prevent ingress of contamination and water.

**Stainless Steel Fittings and Rings**  
Choose small diameter eye fittings for panel attachment. Larger rings fit under the jam nut or over cable jackets. Split rings can be installed on fully assembled cables.

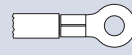
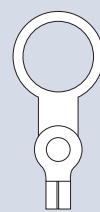
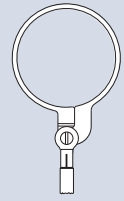
**Polyurethane-Coated SST Wire Rope** offers high strength, excellent abrasion resistance and good flexibility. Or, choose Teflon® jacket for high temperature exposure.

**Braided Nylon Rope** provides excellent flexibility and good abrasion resistance, and can be ordered with slip knot fittings for easy installation on any size cable.

How To Order	
<b>Sample Part Number</b>	<b>809-198 M 9 H 6 -14 A</b>
<b>Series (See Table I)</b>	<b>809-198</b> = Receptacle Cover
<b>Shell Material / Finish</b>	<p><b>C</b> = Aluminum / Black Anodize (Non-Conductive) RoHS Compliant</p> <p><b>M</b> = Aluminum / Electroless Nickel RoHS Compliant</p> <p><b>NF</b> = Aluminum / Cadmium with Olive Drab Chromate</p> <p><b>ZN</b> = Aluminum / Zinc-Nickel with Olive Drab Chromate</p> <p><b>ZNU</b> = Aluminum / Zinc-Nickel with Black Chromate</p> <p><b>MT</b> = Aluminum / Nickel-PTFE RoHS Compliant</p> <p><b>Z1</b> = Stainless Steel / Passivated RoHS Compliant</p>
<b>Shell Size</b>	<b>5, 6, 7, 8, 9, 10, 11, 12, 14, 15</b>
<b>Attachment Type</b>	<p><b>D</b> = Bead Chain, CRES, Passivate</p> <p><b>F</b> = Wire Rope, Nylon Jacket</p> <p><b>G</b> = Nylon Rope</p> <p><b>H</b> = SST Wire Rope, Teflon® Jacket</p> <p><b>N</b> = No Attachment</p> <p><b>R</b> = Wire Rope, PVC Jacket</p> <p><b>S</b> = SST Sash Chain</p> <p><b>SK</b> = Nylon Rope With Slip Knot</p> <p><b>T</b> = SST Wire Rope, No Jacket</p> <p><b>U</b> = SST Wire Rope, Polyurethane Jacket</p> <p>"SST" = Stainless Steel</p>
<b>Attachment Length (inches)</b>	Omit for attachment Type N (No Attachment) Example: "-6" equals six inch length
<b>Attachment Code (See Table II)</b>	<p>Small Ring = <b>01</b> thru <b>06</b></p> <p>Large Ring = <b>14</b> thru <b>33</b></p> <p>Split Ring = <b>50</b> thru <b>68</b></p>
<b>Alternate Key Position</b>	Omit for master keyway only, for all other positions indicate <b>A, B, C, D, E, or F</b>

Table I: Cover Style

<b>809-198</b> Push-Pull Plug Cover

Table II: Attachment Code	
Omit for attachment Type <b>N</b> (No Attachment) and <b>SK</b> (Slip Knot)	
 <b>Small Ring</b>	<p><b>-01</b> - .126 (3.20) I.D.</p> <p><b>-02</b> - .145 (3.68) I.D.</p> <p><b>-04</b> - .188 (4.78) I.D.</p> <p><b>-06</b> - .197 (5.00) I.D.</p>
 <b>Solid Ring</b>	<p><b>-32</b> - .265 (6.73)</p> <p><b>-29</b> - .315 (8.00)</p> <p><b>-14</b> - .385 (9.78)</p> <p><b>-33</b> - .510 (12.95)</p> <p><b>-15</b> - .445 (11.30)</p> <p><b>-16</b> - .570 (14.48)</p> <p><b>-17</b> - .635 (16.13)</p> <p><b>-18</b> - .695 (17.65)</p> <p><b>-27</b> - .766 (19.46)</p> <p><b>-26</b> - .950 (24.13)</p> <p><b>-31</b> - .820 (20.83)</p> <p><b>-28</b> - 1.015 (25.78)</p> <p><b>-20</b> - 1.070 (27.18)</p> <p><b>-21</b> - 1.135 (28.83)</p>
 <b>Split Ring</b>	<p><b>-50</b> - .420 (10.67) I.D.</p> <p><b>-52</b> - .480 (12.19) I.D.</p> <p><b>-54</b> - .635 (16.13) I.D.</p> <p><b>-56</b> - .745 (18.92) I.D.</p> <p><b>-58</b> - .885 (22.48) I.D.</p> <p><b>-60</b> - 1.010 (25.65) I.D.</p> <p><b>-64</b> - 1.125 (28.58) I.D.</p> <p><b>-68</b> - 1.345 (34.16) I.D.</p>

Dimensions in Inches (millimeters) are subject to change without notice.



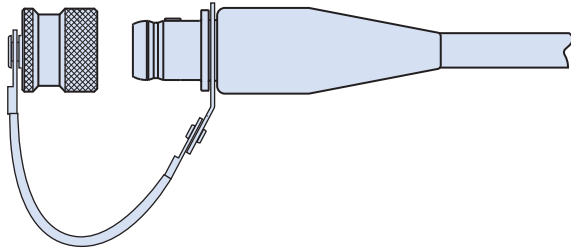


# Series 804 Push-Pull Mighty Mouse Protective Plug Cover

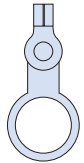
## 809-198 Dimensions

### 809-198 Cover Attachment to Cable Assembly

Install cover onto the back of the connector before overmolding or backshell installation.



Plug cover shown

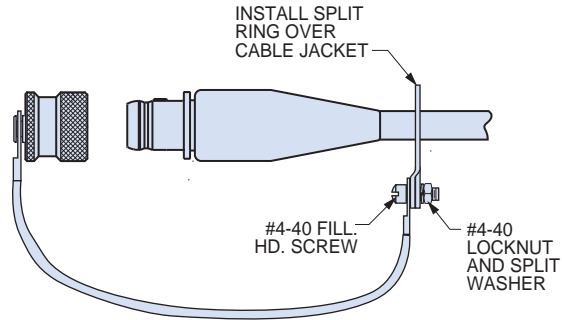


Solid Ring

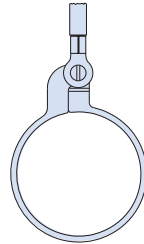
Dia. Code	Shell Size	Ring I.D.		Ring O.D.	
		In.	mm.	In.	mm.
		± .010	±0.25	± .015	± 0.38
29	5	.315	8.00	.44	11.18
14	6	.385	9.80	.51	13.00
33	7	.510	13.00	.62	15.70
16	9	.570	14.48	.69	17.53
17	10	.635	16.13	.76	19.30
27	11, 12	.766	19.50	.89	22.60
26	14, 15	.950	24.13	1.14	28.96

### 809-198 Cover Attachment to Cable

Split rings can be installed onto finished cables.

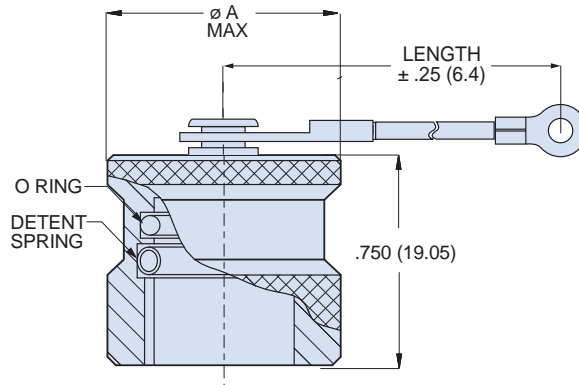


Plug cover shown



Large Split Ring for Attaching Covers to Cables

Dia. Code	Max. Cable Dia. (in.)	Ring Diameter			
		Min. ID		Max. OD	
		In.	mm.	In.	mm.
50	.410	.420	10.67	.580	14.73
52	.470	.480	12.19	.640	16.26
54	.625	.635	16.13	.796	20.22
56	.735	.745	18.92	.905	22.99
58	.875	.885	22.48	1.046	26.57
60	1.000	1.010	25.65	1.171	29.74
64	1.115	1.125	28.58	1.285	32.64
68	1.335	1.345	34.16	1.505	38.23



Dimensions					
Shell Size	Ø A Max.		Shell Size	Ø A Max.	
	In	mm		In	mm
5	.496	12.60	10	.790	20.07
6	.540	13.72	11	.835	21.21
7	.645	16.38	12	.915	23.24
8	.665	16.89	14	1.040	26.42
9	.720	18.29	15	1.100	27.94

Dimensions in Inches (millimeters) are subject to change without notice.

# Series 804 Push-Pull Mighty Mouse Rubber Covers

## 809-083 and 809-087 Dimensions



809-083 Plug Cover



809-087 Receptacle Cover

**Splash proof Molded Rubber Covers** fit all Series 804 plugs and receptacles. Braided black nylon lanyard is available with metal rings, cable tie or slipknot for attachment to panel or to cable.

How To Order	
<b>Sample Part Number</b>	809-083 -05 G 6 -SK C
<b>Series (See Table I)</b>	809-083 = Plug Cover 809-087 = Receptacle Cover
<b>Shell Size</b>	-05, -06, -07, -08, -09, -10, -11, -12, -14, -15
<b>Attachment Type</b>	-G = Nylon Rope Omit = No Lanyard
<b>Attachment Length (inches)</b>	Length in Inches
<b>Attachment Code (See Table II)</b>	-WS = Nylon Cable Tie -SK = Slip Knot -SCS = Slip/Crimp Sleeve -00 = Lanyard with no Attachment Lug Terminal = -01 thru -06 Solid Ring = -14 thru -33
<b>Conductive Rubber</b>	Omit for Standard Neoprene C = Conductive Rubber


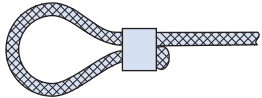


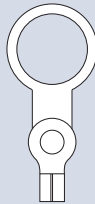
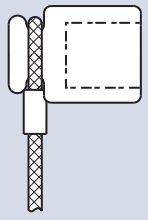
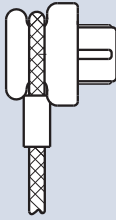
Table II: Attachment Code	
	-WS Nylon Cable Tie, 1.77 Inch (45mm) Maximum Wire Bundle Diameter
	-SK Slip Knot
	-00 Lanyard With No Attachment (Fused End)
Lug Terminals and Rings	
	-01 - .126 (3.20) I.D. -02 - .145 (3.68) I.D. -05 - .188 (4.78) I.D. -06 - .197 (5.00) I.D.
	-32 - .265 (6.73) I.D. -29 - .315 (8.00) I.D. -14 - .385 (9.78) I.D. -15 - .445 (11.30) I.D. -33 - .510 (12.95) I.D. -16 - .570 (14.48) I.D. -17 - .635 (16.13) I.D. -18 - .695 (17.65) I.D. -27 - .766 (19.46) I.D. -31 - .820 (20.83) I.D. -19 - .885 (22.48) I.D. -26 - .950 (24.13) I.D. -28 - 1.015 (25.75) I.D. -20 - 1.070 (27.18) I.D.

Table I: Series Style	
	
809-083 Push-Pull Receptacle Cover	809-087 Push-Pull Receptacle Cover

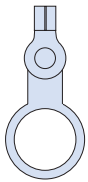
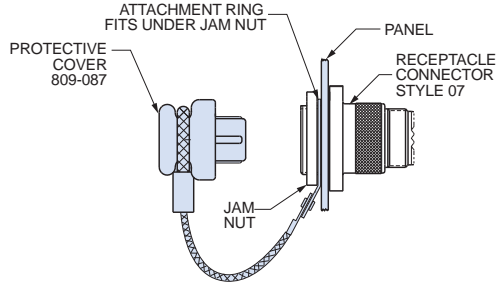
Dimensions in Inches (millimeters) are subject to change without notice.



# Series 804 Push-Pull Mighty Mouse Rubber Covers

## 809-083 and 809-087 Dimensions

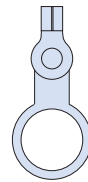
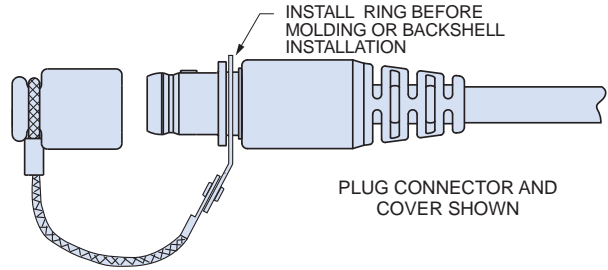
### 809-087 Cover Attachment to RPM Jam Nut Receptacle



Solid Ring

Attch. Code	Shell Size	Ring I.D.		Ring O.D.	
		in.	mm.	in.	mm.
		± .010	± .025	± .015	± 0.38
15	5	.445	11.30	.57	14.48
33	6	.510	12.95	.62	15.75
17	7,8	.635	16.13	.76	19.30
18	9	.695	17.65	.82	20.83
27	10	.766	19.46	.89	22.61
31	11	.820	20.83	.94	23.88
19	12	.885	22.48	1.01	25.65
28	14	1.015	25.78	1.20	30.48
20	15	1.070	27.18	1.20	30.48

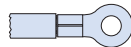
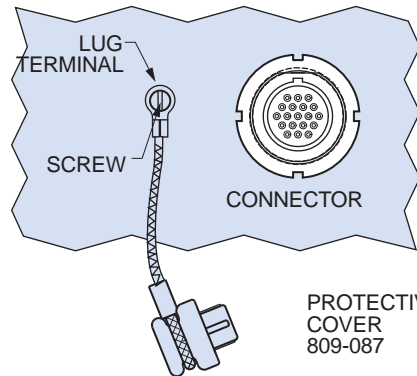
### 809-083 & -087 Cover Attachment to Cable Assembly



Solid Ring

Attch. Code	Shell Size	Ring I.D.		Ring O.D.	
		in.	mm.	in.	mm.
		± .010	±0.25	± .015	± 0.38
29	5	.315	8.00	.440	11.20
14	6	.385	9.80	.510	13.00
33	7	.510	13.00	.620	15.70
16	8,9	.570	14.48	.570	14.48
17	10	.635	16.13	.635	16.13
27	11,12	.766	19.50	.890	22.60
26	14, 15	.950	24.13	.950	24.13

### 809-087 Cover Attachment to Panel



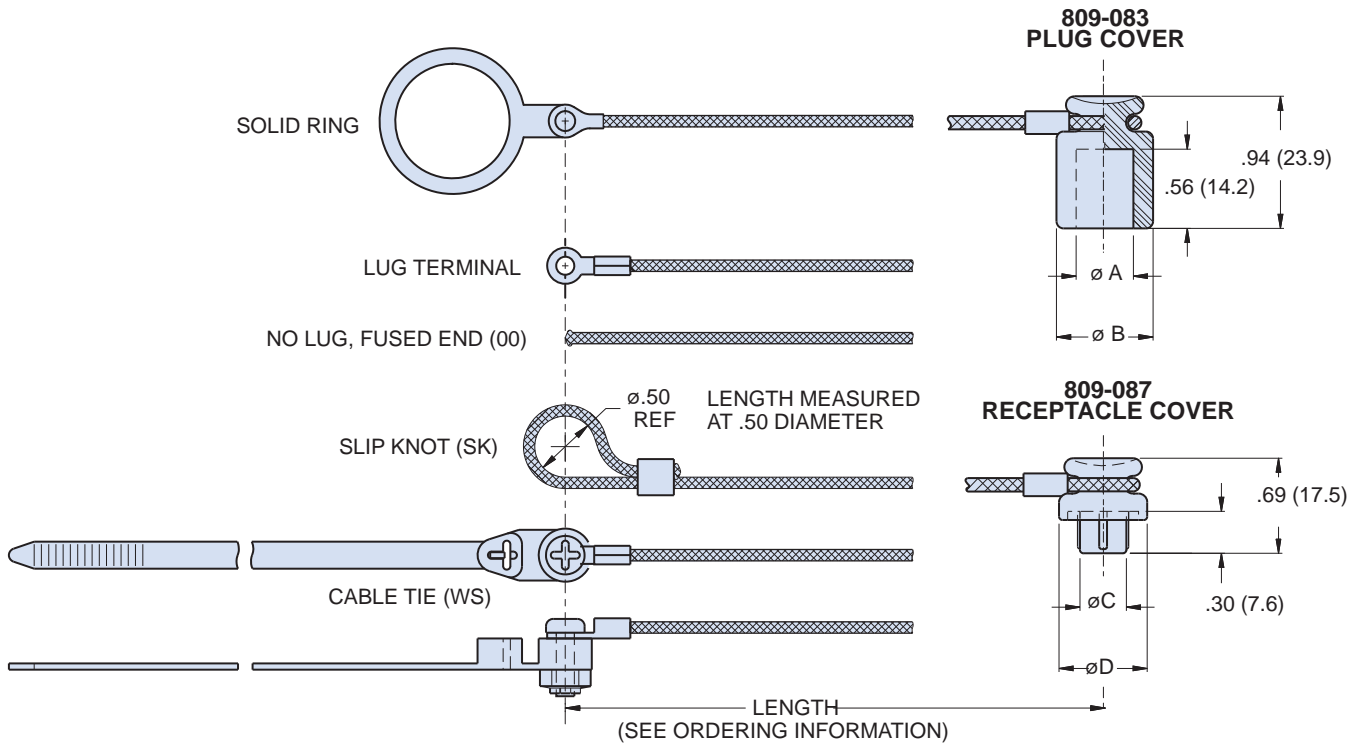
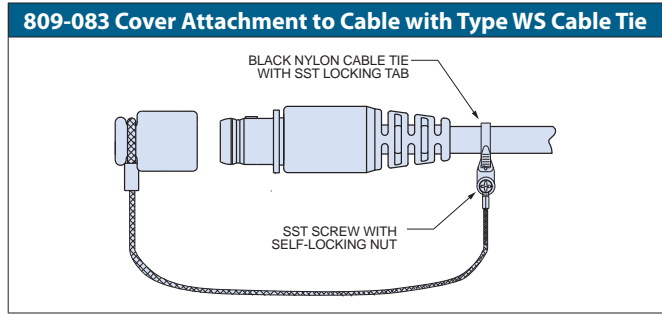
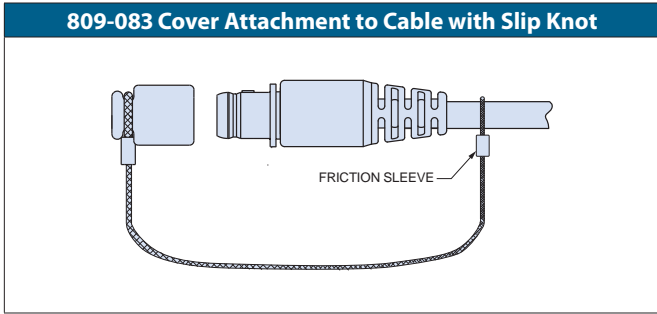
Lug Terminal for Attaching Receptacle Covers to a Panel with a Screw

Attch. Code	Shell Size	Ring I.D.		Ring O.D.	
		in.	mm.	In.	mm.
		±.005	±0.13	Max.	Max.
01	#4, M3	.126	3.20	.31	7.9
02	#6	.145	3.68	.31	7.9
05	#8, M4	.188	4.78	.31	7.9
06	#10	.197	5.00	.31	7.9

Dimensions in Inches (millimeters) are subject to change without notice.

# Series 804 Push-Pull Mighty Mouse Rubber Covers

## 809-083 and 809-087 Dimensions



Shell Size	Dimensions							
	Ø A		Ø B		Ø C		Ø D	
	In	mm	In	mm	In	mm	In	mm
5	.23	5.8	.56	14.2	.27	6.9	.59	15.0
6	.29	7.4	.56	14.2	.33	8.4	.65	16.5
7	.36	9.1	.56	14.2	.40	10.2	.78	19.8
8	.41	10.4	.68	17.3	.44	11.2	.78	19.8
9	.46	11.7	.68	17.3	.50	12.7	.84	21.3
10	.54	13.7	.79	20.1	.57	14.5	.90	22.9
11	.61	15.5	.94	23.9	.63	16.0	.96	24.4
12	.66	16.8	.94	23.9	.69	17.5	1.03	26.2
14	.78	19.8	1.11	28.2	.82	20.8	1.15	29.2
15	.84	21.3	1.11	28.2	.87	22.1	1.21	30.7

### NOTES

#### Materials and Finishes

1. Cover: Neoprene rubber blend, black
2. Lanyard: .062" (1.57) diameter nylon cord, black
3. Cable Tie: 6/6 nylon, black, SST locking tab
4. Ring: Stainless steel, black zinc-cobalt finish

Dimensions in Inches (millimeters) are subject to change without notice.



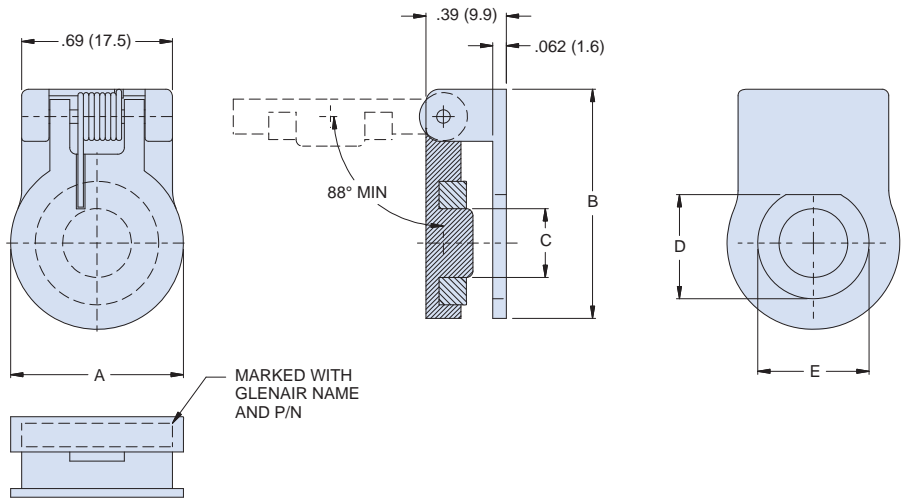
## Spring-Loaded Cover for Series 804 Jam Nut Receptacles

"Flop lid" snaps shut when cable is disconnected. Silicone gasket provides watertight seal when closed. Fits standard Series 804 rear-mount jam nut receptacles. For .057/.067 inch (1.45/1.70 mm) panel thickness. Aluminum alloy or stainless steel.



X

Shell Size	Part Number				
	Aluminum				Stainless Steel
	Electroless Nickel	Cadmium/Olive Drab	Nickel-PTFE	Black Zinc-Nickel	Passivated
5	667-282M05	667-282NF05	667-282MT05	667-282ZNU05	667-282Z105
6	667-282M06	667-282NF06	667-282MT06	667-282ZNU06	667-282Z106
7	667-282M07	667-282NF07	667-282MT07	667-282ZNU07	667-282Z107
8	667-282M08	667-282NF08	667-282MT08	667-282ZNU08	667-282Z108
9	667-282M09	667-282NF09	667-282MT09	667-282ZNU09	667-282Z109
10	667-282M10	667-282NF10	667-282MT10	667-282ZNU10	667-282Z110
11	667-282M11	667-282NF11	667-282MT11	667-282ZNU11	667-282Z111
12	667-282M12	667-282NF12	667-282MT12	667-282ZNU12	667-282Z112
14	667-282M14	667-282NF14	667-282MT14	667-282ZNU14	667-282Z114
15	667-282M15	667-282NF15	667-282MT15	667-282ZNU15	667-282Z115



Shell Size	Dimensions									
	A		B		C		D Flat		E Dia	
	In.	mm.	In.	mm.	In.	mm.	In.	mm.	In.	mm.
5	.63	16.0	.93	23.6	.251	6.4	.427/.423	10.8/10.74	.443	11.3
6	.69	17.5	.99	25.1	.315	8.0	.479/.475	12.2/12.07	.505	12.8
7	.82	20.8	1.11	28.2	.383	9.7	.606/.601	15.4/15.27	.630	16.0
8	.82	20.8	1.11	28.2	.429	10.9	.606/.601	15.4/15.27	.630	16.0
9	.88	22.4	1.18	30.0	.485	12.3	.667/.663	16.9/16.84	.693	17.6
10	.94	23.9	1.24	31.5	.560	14.2	.734/.729	18.6/18.52	.755	19.2
11	1.00	25.4	1.30	33.02	.619	15.7	.801/.796	20.3/20.22	.820	20.8
12	1.07	27.2	1.36	34.5	.678	17.2	.855/.851	21.7/21.62	.880	22.4
14	1.19	30.2	1.49	37.8	.801	20.3	.98/.976	24.9/24.79	1.005	25.5
15	1.25	31.75	1.55	39.37	.860	21.8	1.041/1.037	26.4/26.34	1.067	27.1

### NOTES

#### Materials and Finishes

- Cover, Housing: Aluminum Alloy or Stainless Steel
- Gasket: Sponge Silicone Rubber
- Sleeve: Delrin
- Spring, Shaft: Stainless Steel

Dimensions in Inches (millimeters) are subject to change without notice.

# Series 805 Mighty Mouse Triple-Start Protective Cover

## 667-261 and 667-262 Ordering Information



Plug Cover

**Protect Connectors From Damage**  
Machined aluminum or stainless steel protective covers have fluorosilicone gasket for a watertight fit.



Receptacle Cover

**Stainless Steel Fittings and Rings**  
Choose small diameter eye fittings for panel attachment. Larger rings fit under the jam nut or over cable jackets. Split rings can be installed on fully assembled cables.

**Polyurethane-Coated SST Wire Rope** provide resistance and good flexibility. Or, choose a Teflon® jacket for high temperature exposure.

**Braided Nylon Rope** provides excellent flexibility and good abrasion resistance, and can be ordered with slip knot fittings for easy installation on any size cable.

How To Order	
<b>Sample Part Number</b>	667-262 -M -G 9 04 -6
<b>Series (See Table I)</b>	667-261 = Plug Cover 667-262 = Receptacle Cover
<b>Shell Material / Finish</b>	C = Aluminum / Black Anodize (Non-Conductive) RoHS Compliant M = Aluminum / Electroless Nickel RoHS Compliant NF = Aluminum / Cadmium with Olive Drab Chromate ZNU = Aluminum / Zinc-Nickel with Black Chromate MT = Aluminum / Nickel-PTFE RoHS Compliant Z1 = Stainless Steel / Passivated RoHS Compliant
<b>Attachment Type</b>	D = Bead Chain, CRES, Passivate F = Wire Rope, Nylon Jacket G = Nylon Rope H = SST Wire Rope, Teflon® Jacket N = No Attachment R = Wire Rope, PVC Jacket S = SST Sash Chain SK = Nylon Rope With Slip Knot T = SST Wire Rope, No Jacket U = SST Wire Rope, Polyurethane Jacket  "SST" = Stainless Steel
<b>Shell Size</b>	8, 9, 10, 11, 12, 13, 15, 18, 19, 21, 23
<b>Attachment Code (See Table II)</b>	Small Ring = 01 thru 06 Large Ring = 14 thru 33 Split Ring = 50 thru 68
<b>Attachment Length (inches)</b>	Omit for attachment Type N (No Attachment) Example "-6" equals six inch length

Table I: Cover Style	
667-261 Plug Cover	667-262 Receptacle Cover

Table II: Attachment Code	
Omit for attachment types N (No Attachment) and SK (Slip Knot)	
	01 - .126 (3.20) I.D. 02 - .145 (3.68) I.D. 04 - .188 (4.78) I.D. 06 - .197 (5.00) I.D.
	14 - .385 (9.78) I.D. 15 - .445 (11.30) I.D. 16 - .570 (14.48) I.D. 17 - .635 (16.13) I.D. 18 - .695 (17.65) I.D. 19 - .885 (22.48) I.D. 20 - 1.070 (27.17) I.D. 22 - 1.210 (30.73) I.D. 23 - 1.275 (32.39) I.D. 25 - 1.530 (38.86) I.D. 26 - .950 (24.13) I.D. 27 - .766 (19.46) I.D. 28 - 1.015 (25.78) I.D. 29 - .315 (8.0) I.D. 30 - 1.380 (35.05) I.D. 31 - .820 (20.83) I.D. 32 - .265 (6.7) I.D. 33 - .510 (12.95) I.D.
	50 - .420 (10.67) I.D. 52 - .480 (12.19) I.D. 54 - .635 (16.13) I.D. 56 - .745 (18.92) I.D. 58 - .885 (22.48) I.D. 60 - 1.010 (25.65) I.D. 64 - 1.125 (28.58) I.D. 68 - 1.345 (34.16) I.D.

Dimensions in Inches (millimeters) are subject to change without notice.

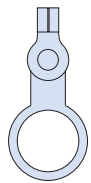
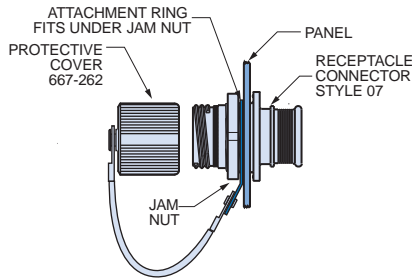




# Series 805 Mighty Mouse Triple-Start Protective Cover

## 667-261 and 667-262 Dimensions

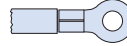
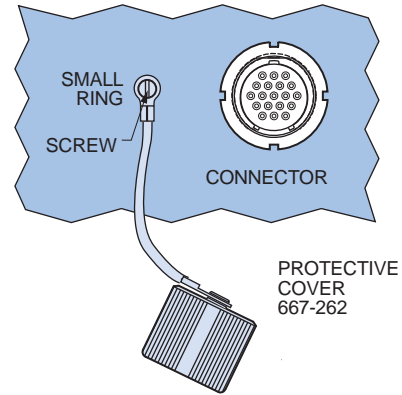
### 667-262 Cover Attachment to RPM Jam Nut Receptacle



Solid Ring

Atch. Code	Shell Size	Ring I.D.		Ring O.D.	
		In.	mm.	In.	mm.
		± .010	±0.25	± .015	± 0.38
16	8	.570	14.48	.69	17.53
18	9, 10	.695	17.65	.82	20.83
27	11	.766	19.46	.89	22.61
31	12	.820	20.83	1.00	25.40
19	13	.885	22.48	1.01	25.65
28	15	1.015	25.78	1.20	30.48
22	18	1.210	30.73	1.31	33.27
23	19	1.275	32.39	1.37	34.80
30	21	1.380	35.05	1.48	37.59
25	23	1.530	38.86	1.63	41.40

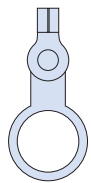
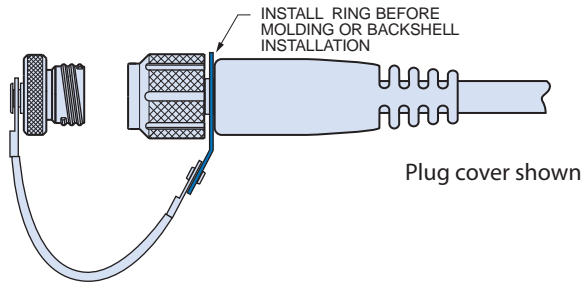
### 667-262 Cover Attachment to Panel



Small Ring for Attaching Receptacle Covers to a Panel with a Screw

Atch. Code	Screw Size	Ring I.D.		Ring O.D.	
		In.	mm.	In.	mm.
		±.005	±0.13	Max.	Max.
01	#4, M3	.126	3.20	.31	7.9
02	#6	.145	3.68	.31	7.9
04	#8, M4	.188	4.78	.31	7.9
06	#10	.197	5.00	.31	7.9

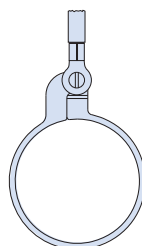
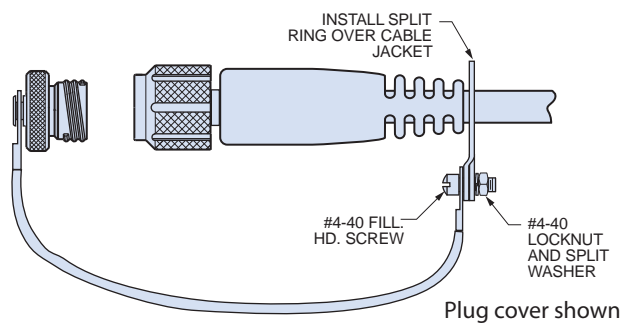
### 667-261 & -262 Cover Attachment to Cable Assembly



Solid Ring

Atch. Code	Shell Size	Ring I.D.		Ring O.D.	
		In.	mm.	In.	mm.
		± .010	±0.25	± .015	± 0.38
14	8	.385	9.78	.51	12.95
33	9	.510	12.95	.62	15.75
16	10, 11	.570	14.48	.69	17.53
17	12	.635	16.13	.76	19.30
27	13, 15	.766	19.46	.89	22.61
26	18, 19	.950	24.13	1.14	28.96
20	21	1.070	27.18	1.20	30.48
22	23	1.210	30.73	1.31	33.27

### 667-261 Cover Attachment to Cable



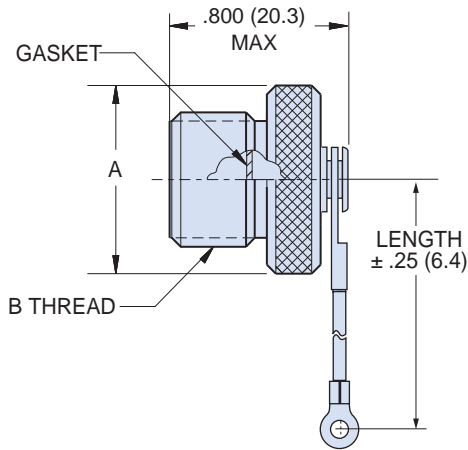
Large Split Ring for Attaching Covers to Cables

Atch. Code	Max. Cable Dia. (in.)	Ring Diameter			
		Min. ID		Max. OD	
		In.	mm.	In.	mm.
50	.410	.420	10.67	.580	14.73
52	.470	.480	12.19	.640	16.26
54	.625	.635	16.13	.796	20.22
56	.735	.745	18.92	.905	22.99
58	.875	.885	22.48	1.046	26.57
60	1.000	1.010	25.65	1.171	29.74
64	1.115	1.125	28.58	1.285	32.64
68	1.335	1.345	34.16	1.505	38.23

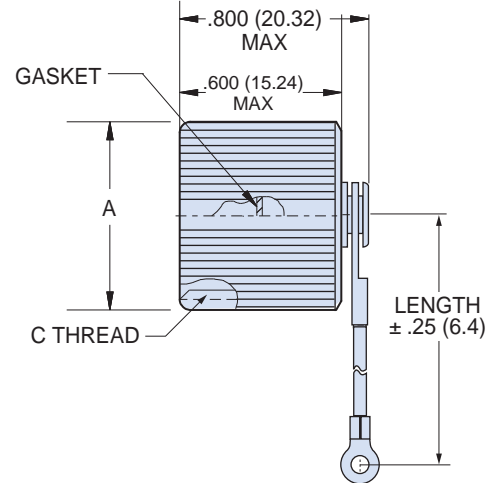
Dimensions in Inches (millimeters) are subject to change without notice.

# Series 805 Mighty Mouse Triple-Start Protective Cover

## 667-261 and 667-262 Dimensions



667-261 Plug Cover



667-262 Receptacle Cover



Shell Size	A Max.		B Thread	C Thread
	In.	mm.		
8	.653	16.59	.5000-.1P-.3L-TS-2A	.5000-.1P-.3L-TS-2B
9	.715	18.16	.5625-.1P-.3L-TS-2A	.5625-.1P-.3L-TS-2B
10	.778	19.76	.6250-.1P-.3L-TS-2A	.6250-.1P-.3L-TS-2B
11	.841	21.36	.6875-.1P-.3L-TS-2A	.6875-.1P-.3L-TS-2B
12	.903	22.94	.7500-.1P-.3L-TS-2A	.7500-.1P-.3L-TS-2B
13	.965	24.51	.8125-.1P-.3L-TS-2A	.8125-.1P-.3L-TS-2B
15	1.091	27.71	.9375-.1P-.3L-TS-2A	.9375-.1P-.3L-TS-2B
18	1.278	32.46	1.1250-.1P-.3L-TS-2A	1.1250-.1P-.3L-TS-2B
19	1.340	34.04	1.1870-.1P-.3L-TS-2A	1.1870-.1P-.3L-TS-2B
21	1.490	37.85	1.3125-.1P-.3L-TS-2A	1.3125-.1P-.3L-TS-2B
23	1.600	40.64	1.4375-.1P-.3L-TS-2A	1.4375-.1P-.3L-TS-2B

### NOTES

#### Materials and Finishes

1. Cover: Aluminum alloy or stainless steel
2. Gasket: Fluorosilicone rubber
3. Wire, Hardware: Stainless steel, passivated

Lanyard Options	
 Nylon Rope	-65° to +100°C., black, very flexible, very good abrasion resistance, good resistance to fuels, .120" (3mm) diameter
 Polyurethane Coated Wire Rope	Black polyurethane over stainless steel rope, -65° to +125°C., very flexible, excellent abrasion resistance, excellent resistance to fuels, .080" (2mm) diameter
 Teflon® Jacketed Wire Rope	Translucent FEP jacket over stainless steel, -65° to +200°C., fair flexibility, good abrasion resistance, .100" diameter
 Sash Chain	Stainless steel, #8 chain, .240" (6mm)
 Slip Knot (SK) for Attaching Covers to Cable	65° to +100°C., black, very flexible, very good abrasion resistance, good resistance to fuels, .120" (3mm) diameter. Length includes .5" (13mm) diameter loop.

Dimensions in Inches (millimeters) are subject to change without notice.



# Series 805 Mighty Mouse Triple-Start Locking Ratchet Type Receptacle Cover

## 809-200 Ordering Information



**Protect Connectors From Damage**  
Machined aluminum or stainless steel protective covers have fluorosilicone gasket for a watertight fit.

**Stainless Steel Fittings and Rings**  
Choose small diameter eye fittings for panel attachment. Larger rings fit under the jam nut or over cable jackets. Split rings can be installed on fully assembled cables.

**Polyurethane-Coated SST Wire Rope**  
provide resistance and good flexibility. Or, choose a Teflon® jacket for high temperature exposure.

**Braided Nylon Rope** provides excellent flexibility and good abrasion resistance, and can be ordered with slip knot fittings for easy installation on any size cable.

X

How To Order	
Sample Part Number	809-200 -M -S 12 04 -6
Series (See Table I)	809-200 = Receptacle Cover
Shell Material / Finish	<p><b>C</b> = Aluminum / Black Anodize (Non-Conductive) RoHS Compliant</p> <p><b>M</b> = Aluminum / Electroless Nickel RoHS Compliant</p> <p><b>NF</b> = Aluminum / Cadmium with Olive Drab Chromate</p> <p><b>ZN</b> = Aluminum / Zinc-Nickel with Olive Drab Chromate</p> <p><b>Z1</b> = Stainless Steel / Passivated RoHS Compliant</p> <p><b>ZB</b> = Stainless Steel / Olive Drab Chromate over Cadmium</p> <p><b>ZC</b> = Stainless Steel / Zinc Cobalt Alloy/ Black Chromate</p> <p><b>ZNU</b> = Aluminum / Black over Electroless Nickel</p>
Attachment Type	<p><b>-G</b> = Nylon Rope</p> <p><b>-H</b> = SST Wire Rope, Teflon® Jacket</p> <p><b>-N</b> = No Attachment</p> <p><b>-S</b> = SST Sash Chain</p> <p><b>-SK</b> = Nylon Rope with Slip Knot</p> <p><b>-T</b> = SST Wire Rope, No Jacket</p> <p><b>-U</b> = SST Wire Rope, Polyurethane Jacket</p> <p>"SST" = Stainless Steel</p>
Shell Size (See Table III)	8, 9, 10, 11, 12, 13, 15, 18, 19, 21, 23
Attachment Code (See Table II)	<p>Small Ring = 01 thru 06</p> <p>Large Ring = 14 thru 33</p> <p>Split Ring = 50 thru 68</p>
Attachment Length (inches)	Omit for attachment Type N (No Attachment) Example "-6" equals six inch length

Table I: Cover Style

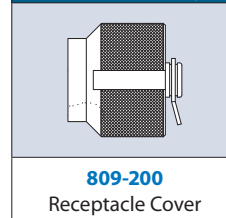
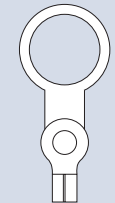


Table II: Attachment Code	
Omit for attachment types <b>N</b> (No Attachment) and <b>SK</b> (Slip Knot)	
<b>01</b> - .125 (3.2) I.D.	
<b>02</b> - .140 (3.6) I.D.	
<b>04</b> - .182 (4.6) I.D.	
<b>06</b> - .197 (5.0) I.D.	



<b>16</b> - .570 (14.5) I.D.	
<b>18</b> - .695 (17.7) I.D.	
<b>27</b> - .766 (19.46) I.D.	
<b>31</b> - .820 (20.83) I.D.	
<b>19</b> - .885 (22.5) I.D.	
<b>28</b> - 1.015 (25.78) I.D.	
<b>22</b> - 1.210 (30.7) I.D.	
<b>23</b> - 1.275 (32.4) I.D.	
<b>30</b> - 1.380 (35.05) I.D.	
<b>25</b> - 1.530 (38.86) I.D.	



<b>50</b> - .432 (11.0) I.D.	
<b>52</b> - .492 (12.5) I.D.	
<b>54</b> - .648 (16.5) I.D.	
<b>56</b> - .757 (19.2) I.D.	
<b>58</b> - .898 (22.8) I.D.	
<b>60</b> - 1.023 (26.0) I.D.	
<b>64</b> - 1.137 (28.9) I.D.	
<b>68</b> - 1.357 (34.5) I.D.	

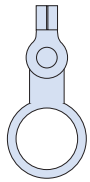
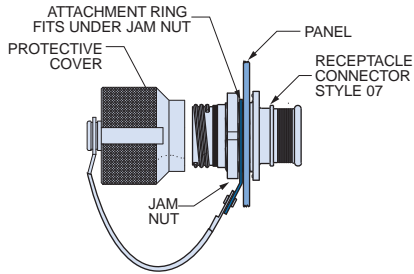
Dimensions in Inches (millimeters) are subject to change without notice.

# Series 805 Mighty Mouse Triple-Start Locking Ratchet Type Receptacle Cover

## 809-200 Ordering Information



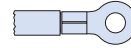
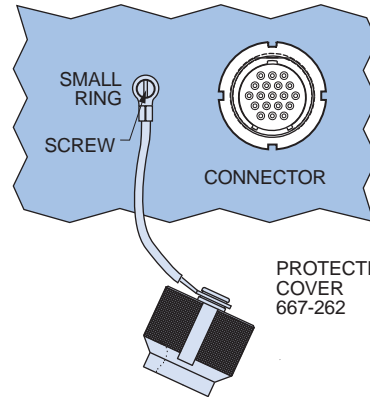
### 809-200 Cover Attachment to RPM Jam Nut Receptacle



Solid Ring

Dia. Code	Shell Size	Ring I.D.		Ring O.D.	
		In.	mm.	In.	mm.
		± .010	±0.25	± .015	± 0.38
16	8	.570	14.48	.69	17.53
18	9, 10	.695	17.65	.85	21.59
27	11	.766	19.46	.89	22.61
31	12	.820	20.83	1.00	25.40
19	13	.885	22.48	1.01	25.65
28	15	1.015	25.78	1.20	30.48
22	18	1.210	30.73	1.31	33.27
23	19	1.275	32.39	1.37	34.80
30	21	1.395	35.43	1.52	38.61
25	23	1.530	38.86	1.63	41.40

### 809-200 Cover Attachment to Panel

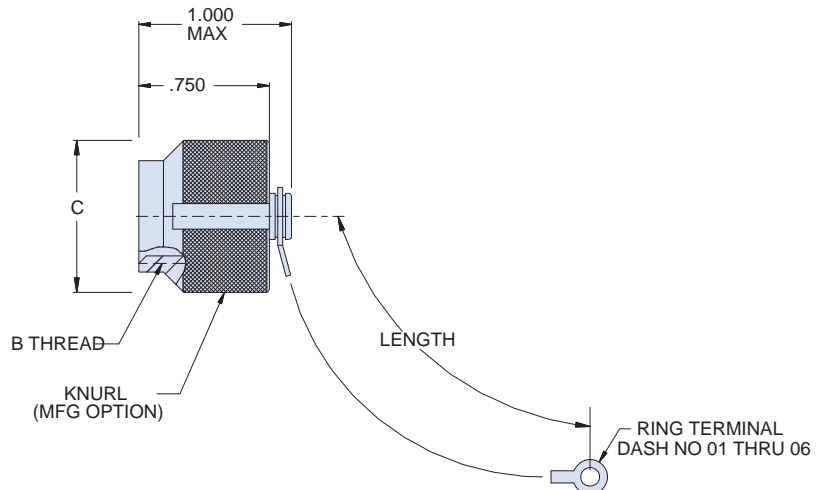


Small Ring for attaching receptacle covers to a panel with a screw

Dia. Code	Screw Size	Ring I.D.		Ring O.D.	
		In.	mm.	In.	mm.
		±.005	±0.13	Max.	Max.
01	#4, M3	.125	3.20	.30	7.6
02	#6	.140	3.60	.30	7.6
04	#8, M4	.182	4.60	.30	7.6
06	#10	.197	5.00	.30	7.6

Table II: Dimensions

Shell Size	B Thread	C	
		In.	mm.
8	.5000-.1P-.3L-TS-2B	.69	17.53
9	.5625-.1P-.3L-TS-2B	.79	20.07
10	.6250-.1P-.3L-TS-2B	.827	21.01
11	.6875-.1P-.3L-TS-2B	.918	23.32
12	.7500-.1P-.3L-TS-2B	.984	24.99
13	.8125-.1P-.3L-TS-2B	1.047	26.59
15	.9375-.1P-.3L-TS-2B	1.098	27.89
18	1.1250-.1P-.3L-TS-2B	1.287	32.69
19	1.1875-.1P-.3L-TS-2B	1.311	33.30
21	1.3125-.1P-.3L-TS-2B	1.448	36.78
23	1.4375-.1P-.3L-TS-2B	1.562	39.67



Dimensions in Inches (millimeters) are subject to change without notice.





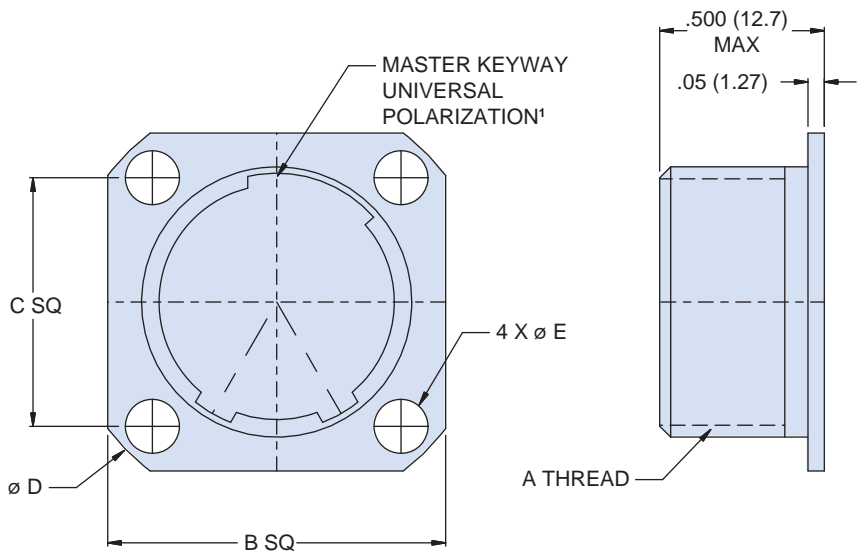
## Series 80 Mighty Mouse Dummy Receptacle for 800 Connectors 809-173 Flange Mount - Dimensions



How To Order			
Sample Part Number	809-173	-M	10
Series	809-173		
Shell Material and Finish	C = Aluminum / Black Anodize (Non-Conductive) RoHS Compliant M = Aluminum / Electroless Nickel NF = Aluminum / Cadmium with Olive Drab ZN = Aluminum / Zinc-Nickel with Olive Drab Chromate ZNU = Aluminum / Zinc-Nickel with Black Chromate Z1 = Stainless Steel / Passivated ZB = Stainless Steel / Olive Drab Chromate over Cadmium ZC = Stainless Steel / Zinc Cobalt Alloy / Black Chromate		
Shell Size (See Table II)	5, 6, 7, 8, 9, 10, 12		

These flange mount style Series 800 dummy stowage receptacles provide a safe and convenient place to store and protect cabled connectors when not in use, due to routine maintenance or during repair of plug cables.

X



### NOTES

- Master keyway is rotated 90° clockwise for shell sizes 7 thru 12

#### Material/Finish:

- Shell: Al alloy or CRES
- Gasket: Fluorosilicone

Shell Size	A Thread	B Sq		C Sq		Ø D		Ø E	
		In.	mm.	In.	mm.	In.	mm.	In.	mm.
5	.3125-28 UN-2A	.527	13.4	.363	9.2	.680	17.3	.096 .091	2.4 2.3
6	.3750-28 UN-2A	.588	14.9	.423	10.7	.750	19.1	.096 .091	2.4 2.3
7	.4375-28 UNEF-2A	.680	17.3	.483	12.3	.880	22.4	.128	3.3
8	.5000-32 UN-2A	.710	18.0	.542	13.8	.938	23.8	.128	3.3
9	.5625-32 UN-2A	.938	23.8	.719	18.3	1.250	31.8	.128	3.3
10	.6250-32 UN-2A	.938	23.8	.719	18.3	1.250	31.8	.128	3.3
12	.7500-28 UN-2A	1.031	26.2	.812	20.6	1.375	34.9	.128	3.3

Dimensions in Inches (millimeters) are subject to change without notice.

# Series 80 Mighty Mouse Dummy Receptacle for 801 Connectors 657-072 Flange Mount - Dimensions



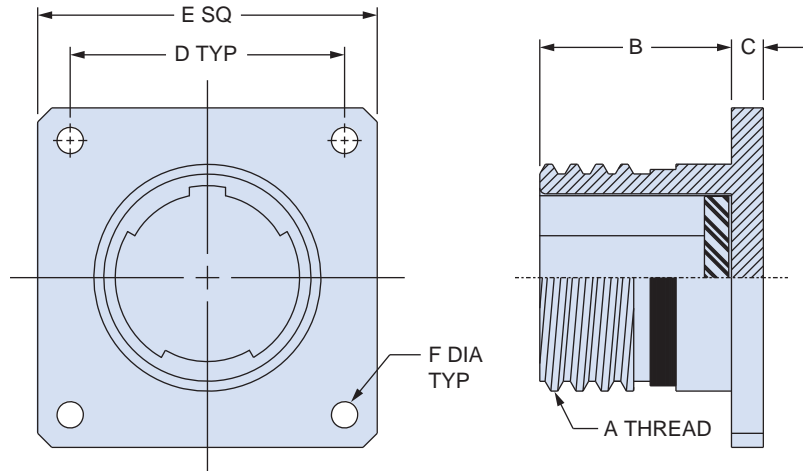
How To Order			
Sample Part Number	657-072	M	10
Series	657-072		
Shell Material and Finish	C = Aluminum / Black Anodize (Non-Conductive) RoHS Compliant M = Aluminum / Electroless Nickel NF = Aluminum / Cadmium with Olive Drab ZN = Aluminum / Zinc-Nickel with Olive Drab Chromate ZNU = Aluminum / Zinc-Nickel with Black Chromate Z1 = Stainless Steel / Passivated ZB = Stainless Steel / Olive Drab Chromate over Cadmium ZC = Stainless Steel / Zinc Cobalt Alloy / Black Chromate		
Shell Size (See Table II)	5, 6, 7, 8, 9, 10, 11, 13, 16, 17, 19, 21		

These flange mount style Series 80 dummy storage receptacles provide a safe and convenient place to store and protect cabled connectors when not in use, due to routine maintenance or during repair of plug cables.

### NOTES

#### Materials and Finishes

- Cover: Al Alloy or Stainless Steel
- Seal: Fluorosilicone



Shell Size	A thread	B		C		D		E		F Dia	
		in.	mm.	in.	mm.	in.	mm.	in.	mm.	in.	mm.
5	.3125-.05P-.1L-DS-2A	.370	9.40	.060	1.52	.363	9.22	.530	13.46	.093	2.36
6	.3750-.05P-.1L-DS-2A	.370	9.40	.060	1.52	.423	10.74	.590	14.99	.093	2.36
7	.4375-.05P-.1L-DS-2A	.370	9.40	.060	1.52	.483	12.27	.650	16.51	.093	2.36
8	.5000-.05P-.1L-DS-2A	.370	9.40	.060	1.52	.545	13.84	.712	18.08	.093	2.36
9	.5265-.05P-.1L-DS-2A	.370	9.40	.060	1.52	.607	15.42	.850	21.59	.128	3.25
10	.6250-.05P-.1L-DS-2A	.370	9.40	.060	1.52	.670	17.02	.890	22.61	.128	3.25
11	.6875-.05P-.1L-DS-2A	.370	9.40	.060	1.52	.715	18.16	.935	23.75	.128	3.25
13	.8125-.1P-.2L-DS-2A	.480	12.19	.090	2.29	.812	20.62	1.030	26.16	.128	3.25
16	1.0000-.1P-.2L-DS-2A	.480	12.19	.090	2.29	.981	24.92	1.219	30.96	.128	3.25
17	1.0625-.1P-.2L-DS-2A	.480	12.19	.090	2.29	1.060	26.92	1.280	32.51	.128	3.25
19	1.1875-.1P-.2L-DS-2A	.480	12.19	.090	2.29	1.191	30.25	1.432	36.37	.128	3.25
21	1.3125-.1P-.2L-DS-2A	.480	12.19	.090	2.29	1.322	33.58	1.565	39.75	.128	3.25

Dimensions in Inches (millimeters) are subject to change without notice.



## Series 80 Mighty Mouse Dummy Receptacle for 803 Connectors 809-092 Bayonet Receptacle - Dimensions



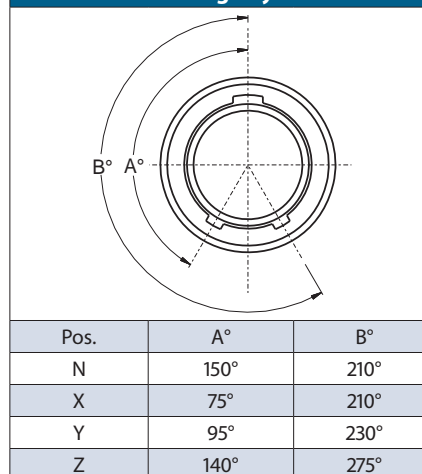
These Series 803 bayonet receptacle dummy stowage receptacles for shell size 5 thru 15, provide a safe a convenient place to store and protect cabled connectors when not in use due to routine maintenance or repair of plug cables.

### How To Order

Sample Part Number	809-092	-07	M	7	N
Series	809-092				
Shell Style	02 = Flange Receptacle for front or rear panel mounting 07 = Jam nut receptacle for rear panel mounting				
Shell Material and Finish	C = Aluminum / Black Anodize (Non-Conductive) RoHS Compliant M = Aluminum / Electroless Nickel NF = Aluminum / Cadmium with Olive Drab ZN = Aluminum / Zinc-Nickel with Olive Drab Chromate Z1 = Stainless Steel / Passivated ZB = Stainless Steel / Olive Drab Chromate over Cadmium ZC = Stainless Steel / Zinc Cobalt Alloy / Black Chromate				
Shell Size (See Table II)	5, 6, 7, 8, 9, 10, 12, 14, 15				
Key Position	N = Normal, X, Y, Z, U = Universal				

X

### Series 803 Plug Key Positions



Dimensions in Inches (millimeters) are subject to change without notice.

# Series 80 Mighty Mouse Dummy Receptacle for 803 Connectors 809-092 Bayonet Receptacle - Dimensions



Accessories

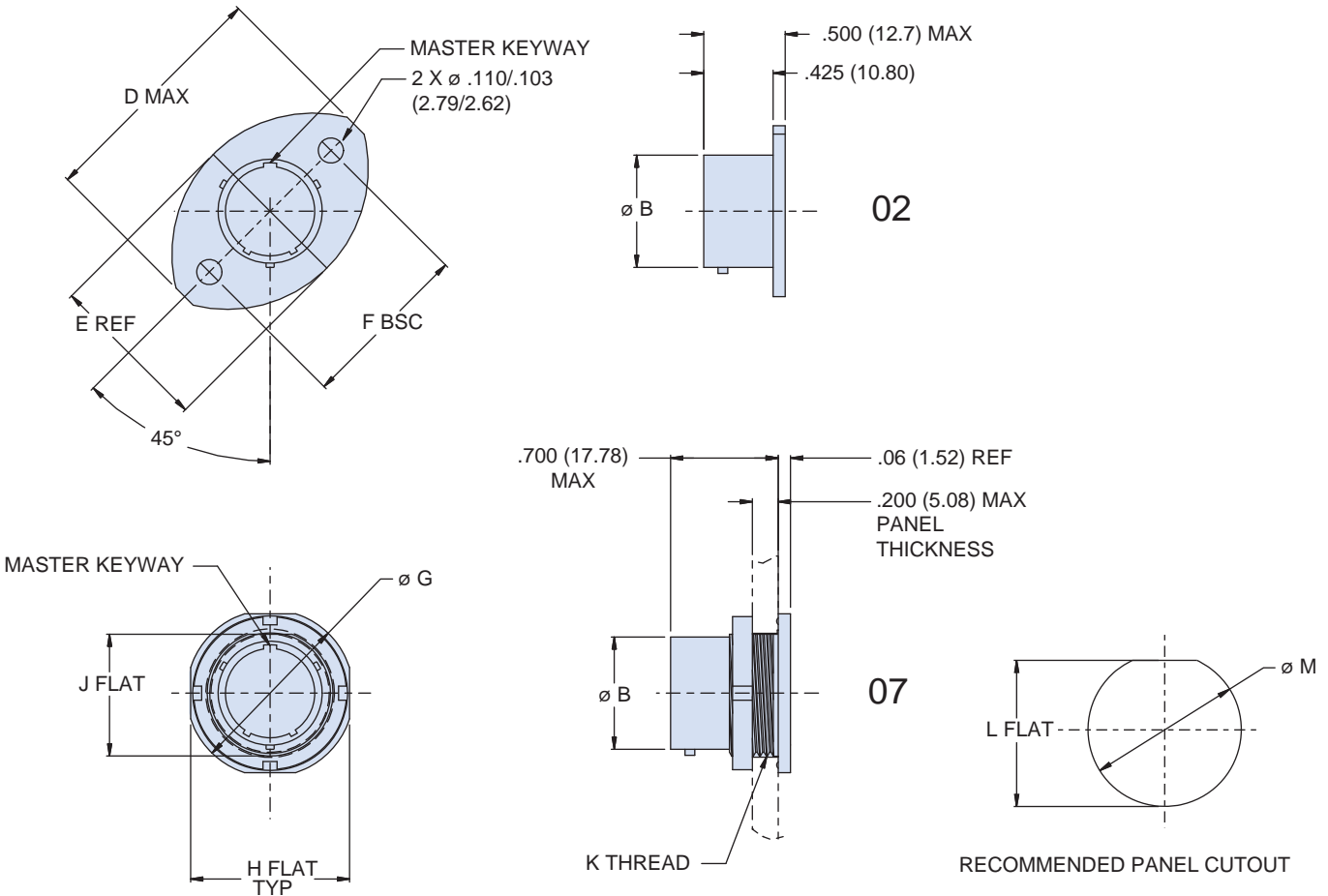


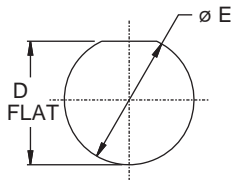
Table II: Dimensions																			
Shell Size	Ø B		Ø D		E Ref		F Bsc		Ø G		H Flat		J Flat		K Thread	L Flat		Ø M	
	in.	mm.	in.	mm.	in.	mm.	in.	mm.	in.	mm.	in.	mm.	in.	mm.		in. ± .002	mm. ± .002	in.	mm.
5	.300	7.62	.703	17.86	.460	11.68	.513	13.03	.575	14.61	.545	13.84	.350	8.89	.3750-28 UN-2A	.360	9.14	.385	9.78
6	.362	9.19	.788	20.02	.522	13.26	.598	15.19	.635	16.13	.595	15.11	.410	10.41	.4375-28 UNEF-2A	.420	10.67	.448	11.38
7	.436	11.07	.890	22.61	.590	14.99	.708	17.98	.755	19.18	.723	18.36	.536	13.61	.5625-32 UN-2A	.546	13.87	.573	14.55
8	.508	12.90	1.154	29.31	.668	16.97	.964	24.49	.830	21.08	.790	20.07	.593	15.06	.6250-28 UN-2A	.603	0.60	.635	16.13
9	.561	14.25	1.207	30.66	.721	18.31	1.017	25.83	.830	21.08	.790	20.07	.593	15.06	.6250-28 UN-2A	.603	15.32	.635	16.13
10	.635	16.13	1.291	32.79	.795	20.19	1.101	27.97	.955	24.26	.925	23.50	.721	18.31	.7500-28 UN-2A	.731	18.57	.760	19.30
12	.714	18.14	1.394	35.41	.874	22.20	1.204	30.58	1.078	27.38	1.044	26.52	.845	21.46	.8750-28 UN-2A	.855	21.72	.885	22.48
14	.865	21.97	1.545	39.24	1.050	26.67	1.280	32.51	1.264	32.11	1.230	31.24	1.022	25.96	1.0625-20 UN-2A	1.032	26.21	1.075	27.31
15	.925	23.50	1.630	41.40	1.150	29.21	1.370	34.80	1.325	33.66	1.290	32.77	1.096	27.84	1.1250-28 UN-2A	1.106	28.09	1.135	28.83

Dimensions in Inches (millimeters) are subject to change without notice.



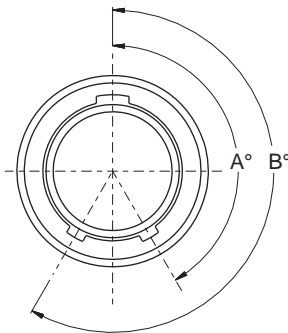
# Series 80 Mighty Mouse Rear Panel Mount Dummy Receptacle for 804 Connectors 650-061 Ordering Information

Series 804 rear panel mounted dummy stowage receptacles provide a safe a convenient place to store and protect cabled connectors when not in use due to routine maintenance or repair of plug cables.



RECOMMENDED PANEL CUTOUT

### Alternate Key Positions



Pos.	A°	B°
A	150°	210°
B	75°	210°
C	95°	230°
D	140°	275°
E	75°	275°
F	95°	210°

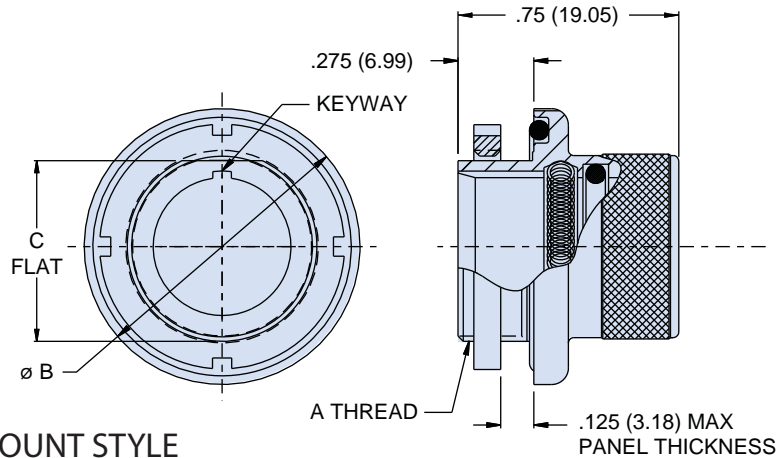
### NOTES:

- Glenair 600 series backshell assembly tools are recommended for assembly and installation.

#### Material and Finish:

- Receptacle: Al Alloy or SST/
- Seal: Fluorosilicone
- Spring: CRES/gold plated

How To Order				
Sample Part Number	650-061	NF	15	A
Series	650-061			
Shell Material and Finish	C = Aluminum / Black Anodize (Non-Conductive) RoHS Compliant M = Aluminum / Electroless Nickel NF = Aluminum / Cadmium with Olive Drab ZN = Aluminum / Zinc-Nickel with Olive Drab Chromate ZNU = Aluminum / Zinc-Nickel with Black over Electroless Nickel Z1 = Stainless Steel / Passivated ZB = Stainless Steel / Olive Drab Chromate over Cadmium ZC = Stainless Steel / Zinc Cobalt Alloy / Black Chromate			
Shell Size (See Table II)	5, 6, 7, 8, 9, 10, 11, 12, 14, 15			
Key Position	A, B, C, D, E, F Omit = Single key (non-Polarized)			



REAR MOUNT STYLE

Table I: Dimensions

Shell Size	A Thread	Ø B		C-Flat		D-Flat		Ø E	
		in.	mm.	in.	mm.	in. ± .04	mm. ± .04	in.	mm.
5	.4375-32 UN-2A	.790	20.07	.415	10.54	.425	10.80	.448	11.38
6	.5000-32 UN-2A	.830	21.08	.467	11.86	.477	12.12	.510	12.95
7	.6250-28 UN-2A	.910	23.11	.594	15.09	.603	15.32	.635	16.13
8	.6250-28 UN-2A	.955	24.26	.594	15.09	.603	15.32	.635	16.13
9	.6875-28 UN-2A	1.000	25.40	.655	16.64	.665	16.89	.695	17.65
10	.7500-28 UN-2A	1.085	27.56	.721	18.31	.731	18.57	.760	19.30
11	.8125-28 UN-2A	1.135	28.83	.788	20.02	.798	20.27	.822	20.88
12	.8750-28 UN-2A	1.180	29.97	.843	21.41	.853	21.67	.885	22.48
14	1.0000-28 UN-2A	1.325	33.66	.968	24.59	.978	24.84	1.010	25.65
15	1.0625-20 UN-2A	1.390	35.31	1.029	26.14	1.039	26.39	1.070	27.18

Dimensions in Inches (millimeters) are subject to change without notice.

# Series 80 Mighty Mouse Dummy Storage Plug for 804 Connectors 809-213 Ordering Information



Dummy storage receptacles provide a safe convenient place to store and protect cabled connectors when not in use due to routine maintenance or repair of plug cables.

**NOTES:**

1. Red stripe indicator for alignment during mating.
2. This storage plug mates with 804 series receptacles with compatible polarization.

*Material and Finish:*

- Shell, jam nut: Al Alloy or CRES
- O-rings: Fluorosilicone.

Alternate Key Positions		
Pos.	A°	B°
A	150°	210°
B	75°	210°
C	95°	230°
D	140°	275°
E	75°	275°
F	95°	210°

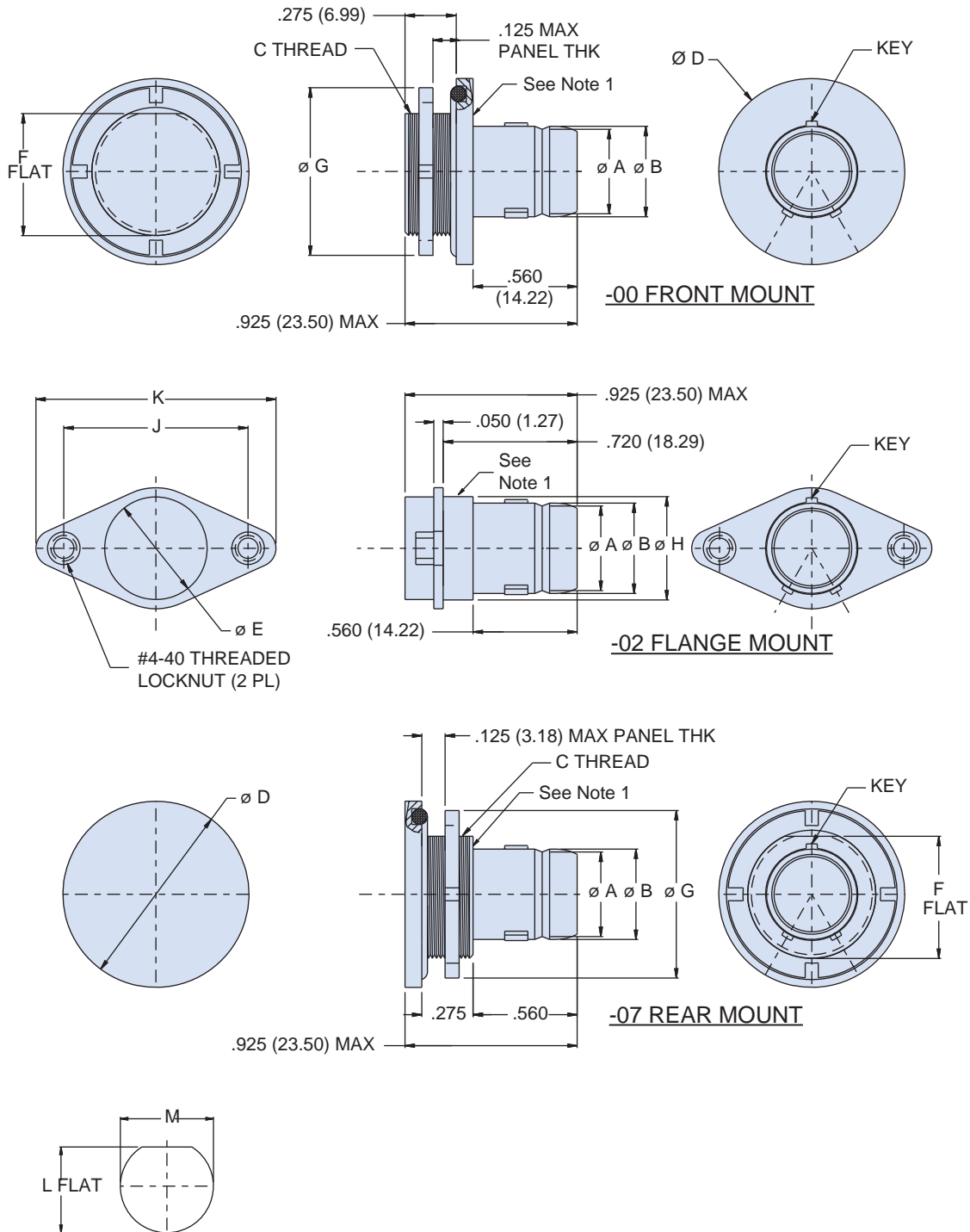
How To Order					
Sample Part Number	809-213	-07	M	9	A
Series	809-213				
Shell Style	-07 = Rear Mount, Jam Nut -02 = Flange Mount -00 = Front Mount, Jam Nut				
Shell Material and Finish	C = Aluminum / Black Anodize (Non-Conductive) RoHS Compliant M = Aluminum / Electroless Nickel NF = Aluminum / Cadmium with Olive Drab ZN = Aluminum / Zinc-Nickel with Olive Drab Chromate ZNU = Aluminum / Zinc-Nickel with Black over Electroless Nickel Z1 = Stainless Steel / Passivated ZB = Stainless Steel / Olive Drab Chromate over Cadmium ZC = Stainless Steel / Zinc Cobalt Alloy / Black Chromate				
Shell Size (See Table II)	5, 6, 7, 8, 9, 10, 11, 12, 14, 15				
Key Position	A, B, C, D, E, F Omit = Single Key (non-polarized)				

Shell size	Ø A		Ø B		C Thread	Ø D		Ø E		F Flat		Ø G		H		J		K		L Flat ± .005		Ø M	
	in.	mm.	in.	mm.		in.	mm.	in.	mm.	in.	mm.	in.	mm.	in.	mm.	in.	mm.	in.	mm.	in.	mm.	in.	mm.
	5	.219	5.56	.250		6.35	.4375-32 UN-2A	0.790	20.07	.244	6.20	.415	10.54	.562	14.27	.320	8.13	.755	19.18	1.055	26.80	.423	10.74
6	.282	7.16	.313	7.95	.5000-32 UN-2A	.830	21.08	.330	8.38	.467	11.86	.625	15.88	.385	9.78	.820	20.83	1.120	28.45	.475	12.07	.510	12.95
7	.351	8.92	.383	9.73	.6250-28 UN-2A	.910	23.11	.432	10.97	.594	15.09	.750	19.05	.450	11.43	.885	22.48	1.185	30.10	.602	15.29	.635	16.13
8	.398	10.11	.429	10.90	.6250-28 UN-2A	.955	24.26	.493	12.52	.594	15.09	.750	19.05	.495	12.57	.930	23.62	1.230	31.24	.602	15.29	.635	16.13
9	.454	11.53	.486	12.34	.6875-28 UN-2A	1.000	25.40	.551	14.00	.655	16.64	.812	20.62	.555	14.10	.990	25.15	1.290	32.77	.663	16.84	.698	17.73
10	.529	13.44	.563	14.30	.7500-28 UN-2A	1.085	27.56	.620	15.75	.721	18.31	.875	22.23	.625	15.88	1.060	26.92	1.360	34.54	.729	18.52	.760	19.30
11	.587	14.91	.618	15.70	.8125-28 UN-2A	1.140	28.96	.662	16.81	.790	20.06	.938	23.83	.690	17.53	1.120	28.45	1.420	36.07	.798	20.27	.823	20.90
12	.646	16.41	.676	17.17	.8750-28 UN-2A	1.180	29.97	.703	17.86	.843	21.41	1.000	25.40	.750	19.05	1.185	30.10	1.485	37.72	.851	21.62	.885	22.48
14	.768	19.51	.800	20.32	1.000-28 UN-2A	1.325	33.66	.863	21.92	.968	24.59	1.125	28.58	.865	21.97	1.300	33.02	1.600	40.64	.976	24.79	1.010	25.65
15	.828	21.03	.860	21.84	1.0625-20 UN-2A	1.390	35.31	.912	23.16	1.029	26.14	1.188	30.18	.930	23.62	1.365	34.67	1.665	42.29	1.037	26.34	1.072	27.23

Dimensions in Inches (millimeters) are subject to change without notice.



# Series 80 Mighty Mouse Dummy Storage Plug for 804 Connectors 809-213 Ordering Information



RECOMMENDED PANEL CUTOUT

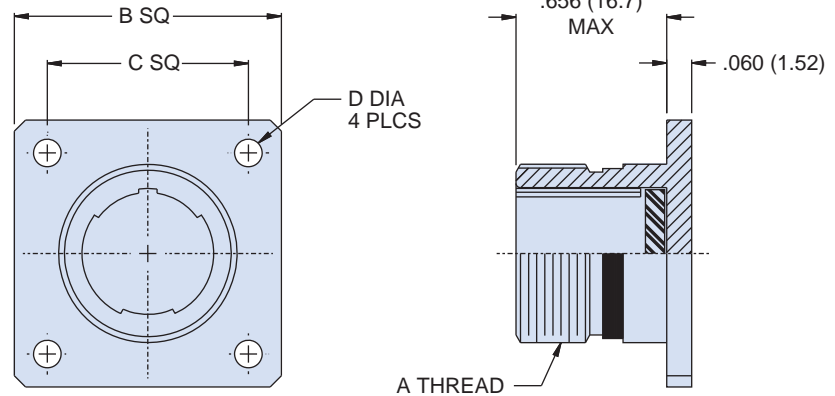
Dimensions in Inches (millimeters) are subject to change without notice.

# Series 80 Mighty Mouse Dummy Storage Receptacle for 805 Connectors 657-079 Ordering Information



How To Order			
Sample Part Number	657-079	NF	15
Series	657-079 = Universal Polarity		
Shell Material and Finish	C = Aluminum / Black Anodize (Non-Conductive) RoHS Compliant M = Aluminum / Electroless Nickel NF = Aluminum / Cadmium with Olive Drab ZN = Aluminum / Zinc-Nickel with Olive Drab Chromate ZNU = Aluminum / Zinc-Nickel with Black over Electroless Nickel Z1 = Stainless Steel / Passivated ZB = Stainless Steel / Olive Drab Chromate over Cadmium ZC = Stainless Steel / Zinc Cobalt Alloy / Black Chromate		
Shell Size (See Table II)	8, 9, 10, 11, 12, 13, 15, 18, 19, 21, 23		

These Series 805 dummy storage receptacles universal polarity provide a safe a convenient place to store and protect cabled connectors when not in use due to routine maintenance or repair of plug cables.



### NOTES:

1. Glenair 600 series backshell assembly tools are recommended for assembly and installation.

*Material and Finish:*

- Receptacle: Al Alloy or SST/
- Seal: Fluorosilicone

Table II: Dimensions							
Shell Size	A Thread 2A	B Sq		C Sq		D Dia	
		in.	mm.	in.	mm.	in.	mm.
8	.5000-.1P-.3L-TS	.850	21.59	.660	16.76	.097 .091	2.46 2.31
9	.5625-.1P-.3L-TS	.913	23.19	.723	18.36		
10	.6250-.1P-.3L-TS	.975	24.77	.785	19.94		
11	.6875-.1P-.3L-TS	1.039	26.39	.848	21.54		
12	.7500-.1P-.3L-TS	1.099	27.91	.909	23.09		
13	.8125-.1P-.3L-TS	1.163	29.54	.973	24.71	.131 .125	3.33 3.18
15	.9375-.1P-.3L-TS	1.288	32.72	1.058	26.87		
18	1.1250-.1P-.3L-TS	1.475	37.47	1.255	31.88		
19	1.1870-.1P-.3L-TS	1.537	39.04	1.327	33.71		
21	1.3125-.1P-.3L-TS	1.663	42.24	1.452	36.88		
23	1.4375-.1P-.3L-TS	1.787	45.39	1.570	39.88		

Dimensions in Inches (millimeters) are subject to change without notice.





INTRODUCING...

# MIGHTY MOUSE FIBER OPTIC CONNECTORS AND TERMINI



Series 801 Plug  
with 181-057 pin termini



Series 801 receptacle  
with 181-075 socket termini

- Three snap-in, rear release fiber optic termini sizes: #23, #20HD, and #16 for use in any Series 80 Mighty Mouse connector
- The smallest mil-aero caliber fiber optic connection system available
- Singlemode and multimode
- Precision ceramic ferrules
- 0.5 dB typical attenuation
- 1 to 130 channels



## Size #16 Fiber Optic Termini

*Series 801 9-4 with size #16 fiber optic termini vs. equivalent functionality D38999*

Series 801  
Shell size 9, 4 channel  
6 Grams  
(less contacts)

D38999 Series III  
Shell size 13, 4 channel  
27 Grams (less contacts)

## Size #20HD Fiber Optic Termini

*Series 801 8-8 with size #20 HD fiber optic termini vs. equivalent functionality D38999*

Series 801  
Shell size 8, 8 channel  
8 Grams  
(less contacts)

D38999 Series III  
Shell size 17, 8 channel  
40 Grams (less contacts)

## Size #23 Fiber Optic Termini

*Series 801 6-4 with size #23 fiber optic termini vs. equivalent functionality D38999*

Series 801  
Shell size 6, 4 channel  
5 Grams  
(less contacts)

D38999 Series III  
Shell size 13, 4 channel  
21 Grams (less contacts)



181-057  
Pin Terminus



181-084  
Pin Terminus

181-085  
Socket Terminus



181-063  
Pin Terminus

181-064  
Socket Terminus

Termini Type	Optical Fiber Type	Part Number
Pin	Multi Mode	<a href="#">181-057-126</a>
	Single Mode	<a href="#">181-057-125</a>
Socket	Multi Mode	<a href="#">181-075-126</a>
	Single Mode	<a href="#">181-075-125</a>
Termini Type	A Ferrule I.D.*	Fiber Size Core/Cladding*
Pin	126.0 microns	50/125, 62.5/125
	125.5 microns	9/125
Socket	126.0 microns	50/125, 62.5/125
	125.5 microns	9/125

\*Consult factory for additional sizes

Termini Type	Optical Fiber Type	Part Number
Pin	Multi Mode	<a href="#">181-084-126</a>
	Single Mode	<a href="#">181-084-1255</a>
Socket	Multi Mode	<a href="#">181-085-126</a>
	Single Mode	<a href="#">181-085-1255</a>
Termini Type	A Ferrule I.D.*	Fiber Size Core/Cladding*
Pin	126.0 microns	50/125, 62.5/125
	125.5 microns	9/125
Socket	126.0 microns	50/125, 62.5/125
	125.5 microns	9/125

\*Consult factory for additional sizes

Termini Type	Optical Fiber Type	Part Number
Pin	Multi Mode	<a href="#">181-063-126</a>
	Single Mode	<a href="#">181-063-1255</a>
Socket	Multi Mode	<a href="#">181-064-126</a>
	Single Mode	<a href="#">181-064-1255</a>
Termini Type	A Ferrule I.D.*	Fiber Size Core/Cladding*
Pin	126.0 microns	50/125, 62.5/125
	125.5 microns	9/125
Socket	126.0 microns	50/125, 62.5/125
	125.5 microns	9/125

\*Consult factory for additional sizes

# Index



Index

181-057-125 . . . . .	W-10	620MS065 . . . . .	X-22	801-009 . . . . .	K-11	802-008 . . . . .	W-18
181-057-126 . . . . .	W-10	650-061 . . . . .	X-77	801-009 . . . . .	S-12	802-009 . . . . .	E-6
181-063-1255 . . . . .	W-5	657-072 . . . . .	X-74	801-009 . . . . .	W-13	802-010 . . . . .	E-8
181-063-126 . . . . .	W-5	657-079 . . . . .	X-80	801-010 . . . . .	D-15	802-010 . . . . .	W-20
181-064-1255 . . . . .	W-5	660-082 . . . . .	X-57	801-010 . . . . .	K-11	802-011 . . . . .	E-8
181-064-126 . . . . .	W-5	660-083 . . . . .	X-57	801-010 . . . . .	S-12	802-011 . . . . .	W-20
181-075-125 . . . . .	W-10	660-087 . . . . .	X-53	801-010 . . . . .	W-13	802-012 . . . . .	E-12
181-075-126 . . . . .	W-10	660-088 . . . . .	X-53	801-011 . . . . .	D-20	802-013 . . . . .	E-16
181-084-1255 . . . . .	W-7	667-184 . . . . .	X-40	801-011 . . . . .	S-16	802-019 . . . . .	E-23
181-084-126 . . . . .	W-7	667-185 . . . . .	X-40	801-012 . . . . .	D-30	802-022 . . . . .	E-23
181-085-1255 . . . . .	W-7	667-202 . . . . .	X-60	801-017 . . . . .	D-36	802-026 . . . . .	E-25
181-085-126 . . . . .	W-7	667-217 . . . . .	X-43	801-023 . . . . .	D-23	802-027 . . . . .	E-25
240-800 . . . . .	J-22	667-218 . . . . .	X-43	801-026 . . . . .	D-38	802-028 . . . . .	E-25
240-801 . . . . .	J-8	667-218 . . . . .	X-49	801-028 . . . . .	U-12	802-029 . . . . .	E-25
240-804 . . . . .	J-14	667-241 . . . . .	X-55	801-029 . . . . .	U-14	802-030 . . . . .	E-12
240-805 . . . . .	J-16	667-242 . . . . .	X-55	801-031 . . . . .	D-41	802-032 . . . . .	E-23
249-003-800 . . . . .	X-15	667-261 . . . . .	X-68	801-032 . . . . .	D-41	802-033 . . . . .	E-23
249-003-801 . . . . .	X-15	667-262 . . . . .	X-68	801-033 . . . . .	D-20	802-048 . . . . .	E-48
340MS001 . . . . .	X-21	667-282 . . . . .	X-67	801-033 . . . . .	S-16	803-001 . . . . .	F-6
340MS026 . . . . .	X-20	667-347 . . . . .	X-49	801-034 . . . . .	D-38	803-002 . . . . .	F-6
370MA038 . . . . .	X-29	800-006 . . . . .	C-6	801-036 . . . . .	P-4	803-003 . . . . .	F-8
370MB038 . . . . .	X-29	800-007 . . . . .	C-6	801-037 . . . . .	P-6	803-004 . . . . .	F-8
370MS037 . . . . .	X-29	800-008 . . . . .	C-6	801-038 . . . . .	P-10	803-005 . . . . .	F-12
370MS038 . . . . .	X-29	800-009 . . . . .	C-6	801-039 . . . . .	P-4	803-006 . . . . .	F-14
380MA137 . . . . .	X-31	800-010 . . . . .	C-8	801-040 . . . . .	P-6	803-007 . . . . .	U-4
380MB137 . . . . .	X-31	800-011 . . . . .	C-8	801-045 . . . . .	P-13	803-010 . . . . .	F-16
380MS135 . . . . .	X-31	800-012 . . . . .	C-12	801-046 . . . . .	P-14	803-011 . . . . .	U-12
380MS137 . . . . .	X-31	800-013 . . . . .	C-20	801-047 . . . . .	P-15	803-012 . . . . .	U-14
380MS141 . . . . .	X-33	800-024 . . . . .	U-4	801-065 . . . . .	D-42	803-013 . . . . .	F-18
390MA077 . . . . .	X-37	800-032 . . . . .	C-15	801-066 . . . . .	D-42	803-014 . . . . .	F-18
390MB077 . . . . .	X-37	800-034 . . . . .	C-26	801-067 . . . . .	D-42	803-015 . . . . .	F-12
390MS076 . . . . .	X-37	800-036 . . . . .	U-12	801-068 . . . . .	D-42	803-026 . . . . .	F-23
390MS077 . . . . .	X-37	800-037 . . . . .	U-14	801-069 . . . . .	D-13	803-027 . . . . .	F-23
440MK135 . . . . .	X-25	800-038 . . . . .	C-26	801-070 . . . . .	D-38	803-028 . . . . .	F-23
440ML135 . . . . .	X-25	800-039 . . . . .	C-26	801-071 . . . . .	D-38	803-029 . . . . .	F-23
440MS134 . . . . .	X-27	800-040 . . . . .	C-12	801-072 . . . . .	D-41	803-032 . . . . .	F-18
440MS135 . . . . .	X-25	800-041 . . . . .	C-26	801-073 . . . . .	D-41	803-033 . . . . .	F-18
447MS981 . . . . .	X-35	800-052 . . . . .	C-31	801-074 . . . . .	D-34	803-034 . . . . .	F-18
600-061 . . . . .	A-14	800-053 . . . . .	C-31	801-075 . . . . .	D-28	803-041 . . . . .	F-18
600-137 . . . . .	A-15	800-054 . . . . .	C-31	801-076 . . . . .	P-16	803-056 . . . . .	F-18
600-140 . . . . .	A-16	800-055 . . . . .	C-31	801-077 . . . . .	P-17	803-057 . . . . .	F-18
600-141 . . . . .	A-16	800-056 . . . . .	C-26	801-078 . . . . .	P-18	804-001 . . . . .	G-10
600-146 . . . . .	A-15	800-057 . . . . .	C-26	801-081 . . . . .	P-19	804-002 . . . . .	G-10
600-147 . . . . .	A-15	800-058 . . . . .	C-26	801-082 . . . . .	T-7	804-003 . . . . .	G-12
600-154 . . . . .	A-15	800-059 . . . . .	C-26	801-083 . . . . .	T-7	804-004 . . . . .	G-12
600-185 . . . . .	A-16	800-060 . . . . .	C-24	801-084 . . . . .	T-8	804-005 . . . . .	G-20
600-197 . . . . .	A-15	80-093 . . . . .	A-6	801-085 . . . . .	T-8	804-006 . . . . .	G-23
600M005 . . . . .	A-16	801-007 . . . . .	D-9	801-087 . . . . .	T-9	804-009 . . . . .	G-16
600MM005 . . . . .	A-16	801-007 . . . . .	K-9	801-088 . . . . .	T-9	804-013 . . . . .	U-4
601-060 . . . . .	A-14	801-007 . . . . .	S-10	801-089 . . . . .	T-10	804-015 . . . . .	G-28
601-061 . . . . .	A-14	801-007 . . . . .	W-11	801-090 . . . . .	T-10	804-016 . . . . .	U-12
601-064 . . . . .	A-14	801-008 . . . . .	D-9	801-091 . . . . .	T-11	804-017 . . . . .	U-14
601-065 . . . . .	A-14	801-008 . . . . .	K-9	801-113 . . . . .	D-11	804-018 . . . . .	G-28
620MA065 . . . . .	X-22	801-008 . . . . .	S-10	801-114 . . . . .	D-11	804-019 . . . . .	G-28
620MB065 . . . . .	X-22	801-008 . . . . .	W-11	802-0009 . . . . .	W-18	804-020 . . . . .	G-20
620MS064 . . . . .	X-22	801-009 . . . . .	D-15	802-008 . . . . .	E-6	804-021 . . . . .	G-11

Index



## Index

804-022	G-28	805-061	H-10	809-116	A-8	841-003	M-6
804-026	Q-4	805-062	H-43	809-117	A-8	841-004	M-6
804-027	Q-4	805-063	H-43	809-118	A-8	844-001	M-10
804-028	Q-6	805-064	H-43	809-119	A-8	844-002	M-10
804-029	Q-6	805-065	H-43	809-120	A-8	844-003	M-12
804-030	Q-10	805-066	H-39	809-121	A-8	844-004	M-12
804-031	Q-10	805-067	H-27	809-124	A-11	845-001	M-16
804-058	G-32	805-109	H-33	809-125	A-11	845-002	M-16
804-059	G-32	805-110	H-35	809-126	A-12	845-003	M-18
804-060	G-32	805-111	H-37	809-127	A-12	845-004	M-18
804-061	G-32	805-112	R-11	809-128	A-11	850-002-20-363	A-7
804-062	G-28	805-113	R-12	809-131	A-13	850-003-20-357	A-7
804-063	G-28	805-114	R-13	809-132	A-13	850-013	K-22
804-064	G-30	805-115	R-14	809-133	A-12	850-014	K-22
804-065	G-30	805-116	R-15	809-134	A-12	852-006	K-34
804-066	G-8	805-117	R-16	809-135	A-11	852-007	K-34
804-067	G-25	805-118	R-17	809-136	A-12	852-015	A-9
804-070	Q-12	809-001	A-3	809-137	A-12	852-016	A-9
804-071	Q-13	809-001	N-10	809-138	A-12	852-017	A-9
804-072	Q-14	809-002	A-3	809-141	X-39	852-018	A-9
804-073	Q-15	809-002	N-10	809-150	X-17	852-042	K-26
804-074	Q-16	809-005	A-11	809-155	A-10	852-043	K-26
804-075	Q-17	809-005	N-12	809-155	N-12	852-056	K-24
804-076	Q-18	809-013	A-10	809-165	X-16	852-057	K-24
805-001	H-8	809-015	M-23	809-173	X-74	853-003	K-30
805-001	K-8	809-015	N-12	809-189	X-16	853-004	K-30
805-001	W-24	809-035	X-11	809-190	X-47	853-013	K-32
805-002	H-8	809-042	A-3	809-191	X-47	853-014	K-32
805-002	K-8	809-042	N-10	809-198	X-63	853-015	S-4
805-002	W-24	809-043	A-10	809-199	X-18	853-016	S-5
805-003	H-13	809-043	N-10	809-200	X-72	853-020	S-6
805-003	K-18	809-054	X-15	809-203	A-13	853-021	S-7
805-003	W-26	809-055	N-12	809-204	A-6	854-001	K-28
805-004	H-13	809-057	A-11	809-205	A-6	854-002	K-28
805-004	K-18	809-057	N-12	809-206	A-11	857-010	A-10
805-004	W-26	809-060	X-5	809-207	A-13	857-011	A-10
805-005	H-18	809-065A	A-3	809-209	X-16	859-006	A-11
805-006	H-22	809-065C	A-3	809-213	X-79	859-012	A-10
805-007	U-4	809-066A	A-3	809-299	A-4	859-013	A-10
805-009	H-43	809-066C	A-3	809-300	A-4	859-014	A-10
805-010	H-41	809-067	X-15	809-301	A-11	859-078	M-23
805-011	H-29	809-077	M-23	809-303	X-18	859-079	M-23
805-012	U-12	809-083	X-65	811-001-06	L-6	963-001	V-3
805-013	U-14	809-087	X-65	811-003-01	L-7	963-002	V-4
805-015	H-43	809-088	A-13	811-003-02	L-8	963-003	V-5
805-016	H-43	809-088	N-12	811-004-02	L-8	963-004	V-6
805-017	H-18	809-092	X-76	811-003-07	L-9	963-005	V-7
805-018	H-43	809-094	X-10	811-004-07	L-9	963-006	V-9
805-020	R-4	809-107	A-13	811-005-02	L-12	963-012	V-8
805-021	R-4	809-108	X-12	811-005-07	L-12	963-013	V-10
805-022	R-6	809-110	A-7	811-006-02	L-13		
805-023	R-6	809-111	A-7	811-006-07	L-11		
805-057	H-47	809-112	A-7	811-007	L-14		
805-058	H-47	809-113	A-7	824-001	G-40		
805-059	H-47	809-114	A-8	824-003	G-41		
805-060	H-47	809-115	A-8	841-002	M-4		

# Why CHOOSE Glenair?



Plenty of Raw Materials!



Outstanding  
Customer Service!



Abundant Machining Capacity!



In-House Assembly!



Huge "Same-Day" Inventory!

**G**lenair®



# Out of This World **INTERCONNECT SOLUTIONS**

## **Glenair, Inc.**

1211 Air Way • Glendale, California • 91201-2497  
Telephone: 818-247-6000 • Fax: 818-500-9912 • sales@glenair.com  
[www.glenair.com](http://www.glenair.com)

---

### **Glenair Power Products Group**

860 N. Main Street Extension  
Wallingford, CT  
06492

Telephone:  
203-741-1115  
Facsimile:  
203-741-0053  
sales@glenair.com

---

### **Glenair UK Ltd**

40 Lower Oakham Way  
Oakham Business Park  
P.O. Box 37, Mansfield  
Notts, NG18 5BY England

Telephone:  
+44-1623-638100  
Facsimile:  
+44-1623-638111  
sales@glenair.co.uk

---

### **Glenair Microway Systems**

7000 North Lawndale Avenue  
Lincolnwood, IL  
60712

Telephone:  
847-679-8833  
Facsimile:  
847-679-8849

---

### **Glenair Nordic AB**

Gustav III : S Boulevard 46  
S - 169 27 Solna  
Sweden

Telephone:  
+46-8-50550000  
Facsimile:  
+46-8-50550001  
sales@glenair.se

---

### **Glenair Electric GmbH**

Schaberweg 28  
61348 Bad Homburg  
Germany

Telephone:  
06172 / 68 16 0  
Facsimile:  
06172 / 68 16 90  
germany@glenair.com

---

### **Glenair Iberica**

C/ La Vega, 16  
45612 Velada  
Spain

Telephone:  
+34-925-89-29-88  
Facsimile:  
+34-925-89-29-87  
sales@glenair.es

---

### **Glenair Italia S.p.A.**

Via Del Lavoro, 7  
40057 Quarto Inferiore –  
Granarolo dell'Emilia  
Bologna, Italy

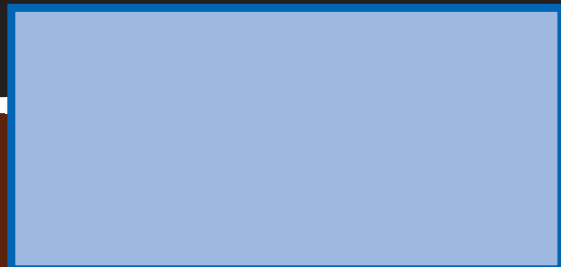
Telephone:  
+39-051-782811  
Facsimile:  
+39-051-782259  
info@glenair.it

---

### **Glenair France SARL**

7, Avenue Parmentier  
Immeuble Central Parc #2  
31200 Toulouse  
France

Telephone:  
+33-5-34-40-97-40  
Facsimile:  
+33-5-61-47-86-10  
sales@glenair.fr





**SERIES 80 MIGHTY MOUSE CONNECTORS AND CABLES**

