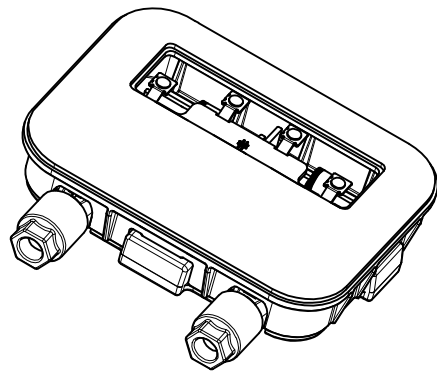
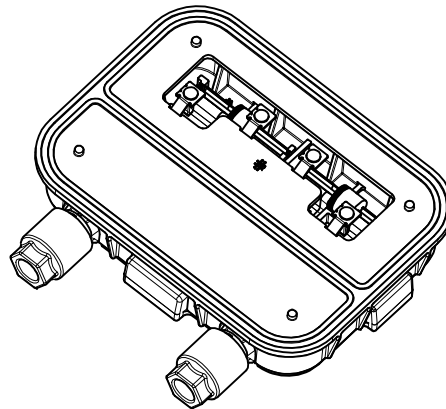
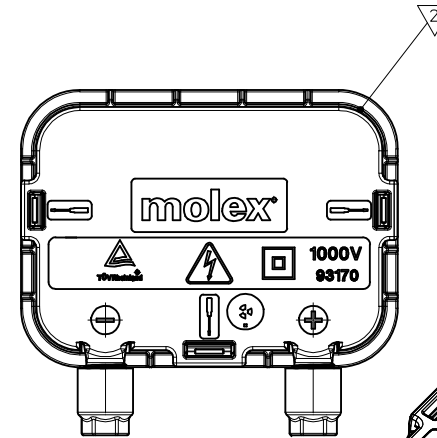
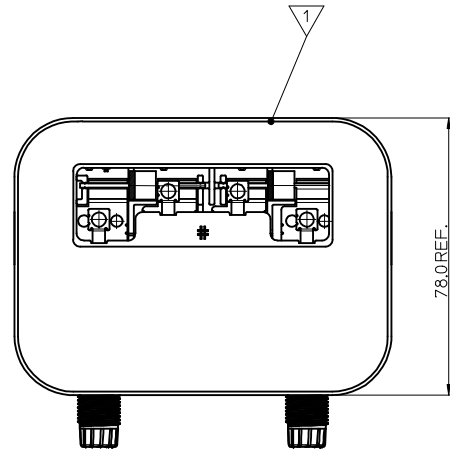


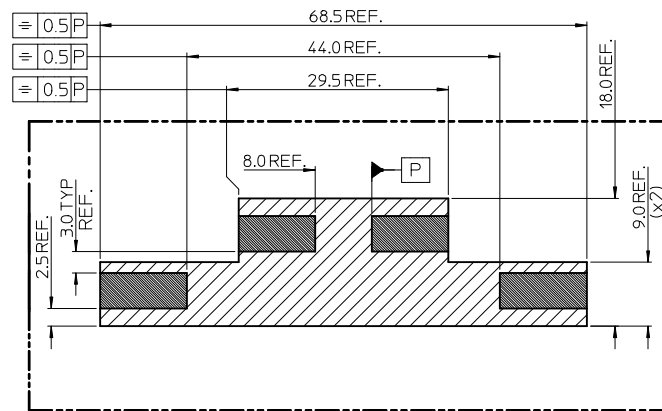
ITEM	DESCRIPTION	QTY	SHEETS
1	PANEL ASSEMBLY	1	2,3,5 & 6
2	COVER ASSEMBLY	1	4,5 & 6



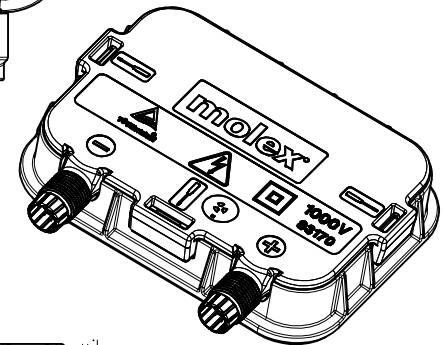
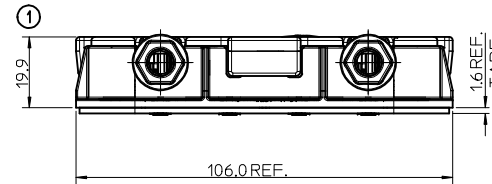
TAPE VERSION



SILICONE VERSION



SUGGESTION FOR LAMINATE CUT-OUT  
& RIBBON POSITIONS  
(CUSTOMER CAN DECIDE BASED ON CAPABILITY)

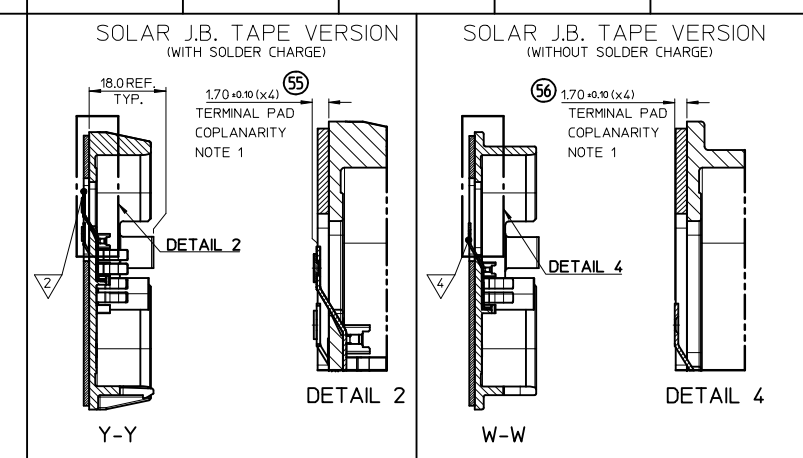
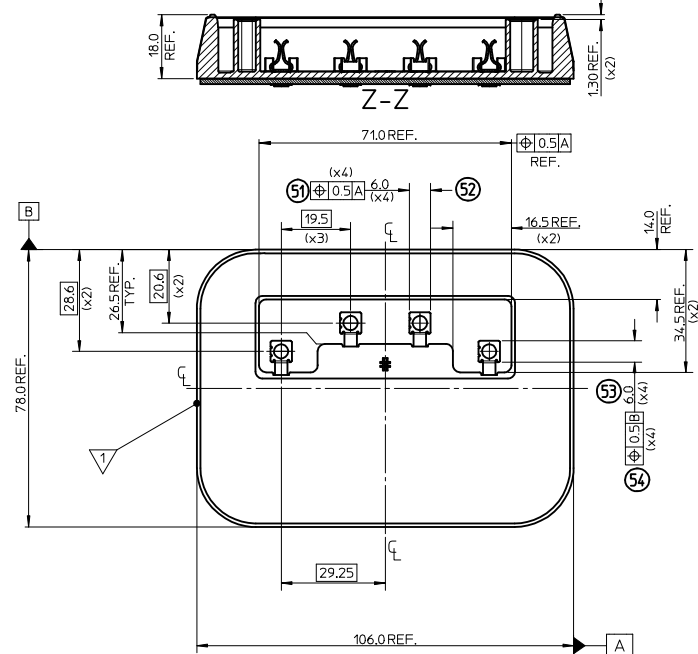
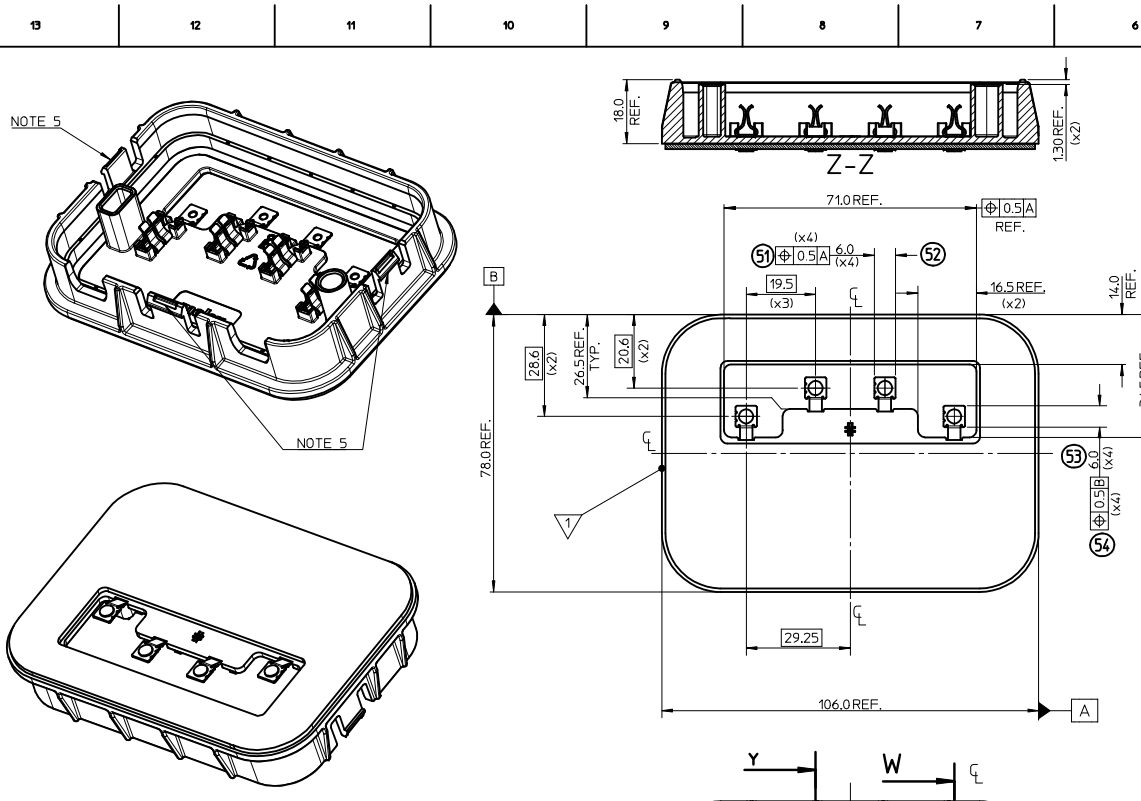


NOTES:

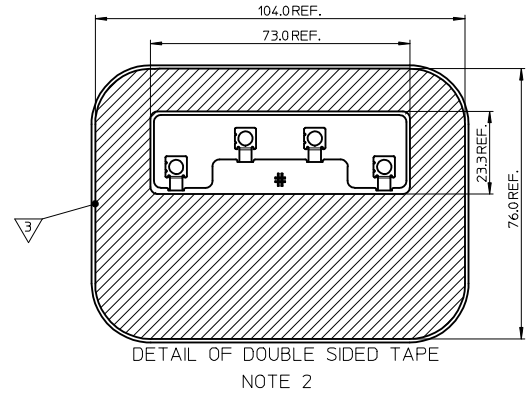
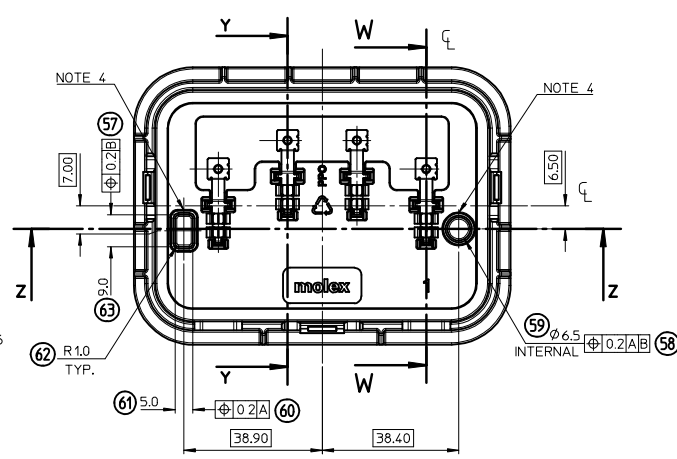
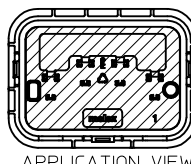
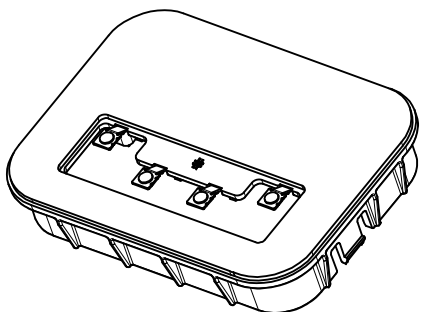
1. HOUSING MATERIAL: PPO, COLOUR BLACK
2. TERMINAL MATERIALS: COPPER ALLOY
3. TERMINAL PLATING: Ag AND Ni
4. IP RATING: 65
5. WITHSTAND VOLTAGE: 1000V
6. CURRENT RATING: 9A
7. TEMPERATURE RANGE: -40°C TO 85°C
8. FOR CURRENT & VOLTAGE RATINGS SEE PRODUCT SPECIFICATION: PS-93170-001
9. SEE SHEET 6 FOR PART NUMBER DETAILS

INSPECTION NUMBERS RESERVED FOR SHEET 1: 1-50  
LAST INSPECTION NUMBER USED: 1

UPDATED EC NO: E2010-0121 DRWN: SMCREEVY 2009/11/03 CHKD: SMCREEVY 2009/11/03 APPR: EFOLAN 2009/11/03	DESCRIPTION JUNCTION BOX FOR P.V. SOLAR PANEL	QUALITY SYMBOLS ▽=0 ▽=0		GENERAL TOLERANCES (UNLESS SPECIFIED)		DIMENSION STYLE MM ONLY		SCALE 1:1	DESIGN UNITS METRIC	THIRD ANGLE PROJECTION
		4 PLACES ± --- ± --- 3 PLACES ± --- ± --- 2 PLACES ± 0.10 ± --- 1 PLACE ± 0.2 ± ---	mm INCH ± --- ± --- ± 0.10 ± --- ± 0.2 ± ---	DRAWN BY MSHANAHAN	DATE 2008/7/11	TITLE JUNCTION BOX FOR P.V. SOLAR PANEL		MOLEX INCORPORATED		MATERIAL NO. SD-93170-001
DRAFT WHERE APPLICABLE MUST REMAIN WITHIN DIMENSIONS				SEE SHEET 6		THIS DRAWING CONTAINS INFORMATION THAT IS PROPRIETARY TO MOLEX INCORPORATED AND SHOULD NOT BE USED WITHOUT WRITTEN PERMISSION				



ITEM	DESCRIPTION	QTY	ITEM	DESCRIPTION	QTY
▽	HOUSING	1	▽	HOUSING	1
▽	PANEL TERM W/ SLDR CHARGE	4	▽	PANEL TERM PLATED	4
▽	DOUBLE-SIDED TAPE	1	▽	DOUBLE-SIDED TAPE	1



NOTES:

- PANEL ASSEMBLY TERMINALS COME WITH OR WITHOUT SOLDER (SEE SHEET 6 FOR OPTIONS). ALL TERMINALS MEASURED BY DISTANCE FROM TERMINAL PAD TO HOUSING. TERMINAL PAD SHOULD BE BELOW LEVEL OF DOUBLE SIDED TAPE. SOLDER CHARGE PRE-TREATED WITH FLUX.
- DOUBLE-SIDED TAPE FOR ADHESION TO PANEL. WINDOW FOR TERMINALS WILL BE CLOSED WITH EXISTING CARRIER TAPE.
- APPLY 10-15N/cm<sup>2</sup> (15-22psi) PRESSURE TO ENSURE CORRECT ADHESION. PRESSURE TO BE APPLIED TO INNER SURFACE OF PANEL HOUSING (SEE HATCHED AREA IN APPLICATION VIEW).
- ALIGNMENT FEATURES FOR GUIDING APPLICATION TOOLING (PRESS TOOL AND SOLDERING TOOL).
- LATCHES FOR RETENTION OF COVER ASSEMBLY.
- ALL DIMENSIONS OTHER THAN FOR TAPE, APPLY TO SILICONE VERSIONS ALSO (SEE SHEET 3).
- SEE SHEET 6 FOR PART NUMBER OPTIONS.

INSPECTION NUMBERS RESERVED FOR SHEET 2: 51-100  
LAST INSPECTION NUMBER USED: 63

SEE SHEET 1  
EC NO: E2010-0721  
DRAWN: SMC GREEVY 2009/11/03  
CHKD: CHIKO 2009/11/03  
APPR: EFOLAN 2009/11/03

QUALITY SYMBOLS	GENERAL TOLERANCES (UNLESS SPECIFIED)		DIMENSION STYLE <b>MM ONLY</b>	SCALE <b>1:1</b>	DESIGN UNITS <b>METRIC</b>	THIRD ANGLE PROJECTION
	mm	INCH				
▽=0	4 PLACES	± ---	± ---	DRAWN BY	DATE	TITLE
▽=0	3 PLACES	± ---	± ---	MSHANAHAN	2008/7/11	JUNCTION BOX FOR P.V. SOLAR PANEL
	2 PLACES	± 0.10	± ---	CHECKED BY	DATE	
	1 PLACE	± 0.2	± ---	SMCGREEVY	2008/7/11	
	ANGULAR ± 2 °			APPROVED BY	DATE	
DRAFT WHERE APPLICABLE MUST REMAIN WITHIN DIMENSIONS				EFOLAN	2008/7/11	

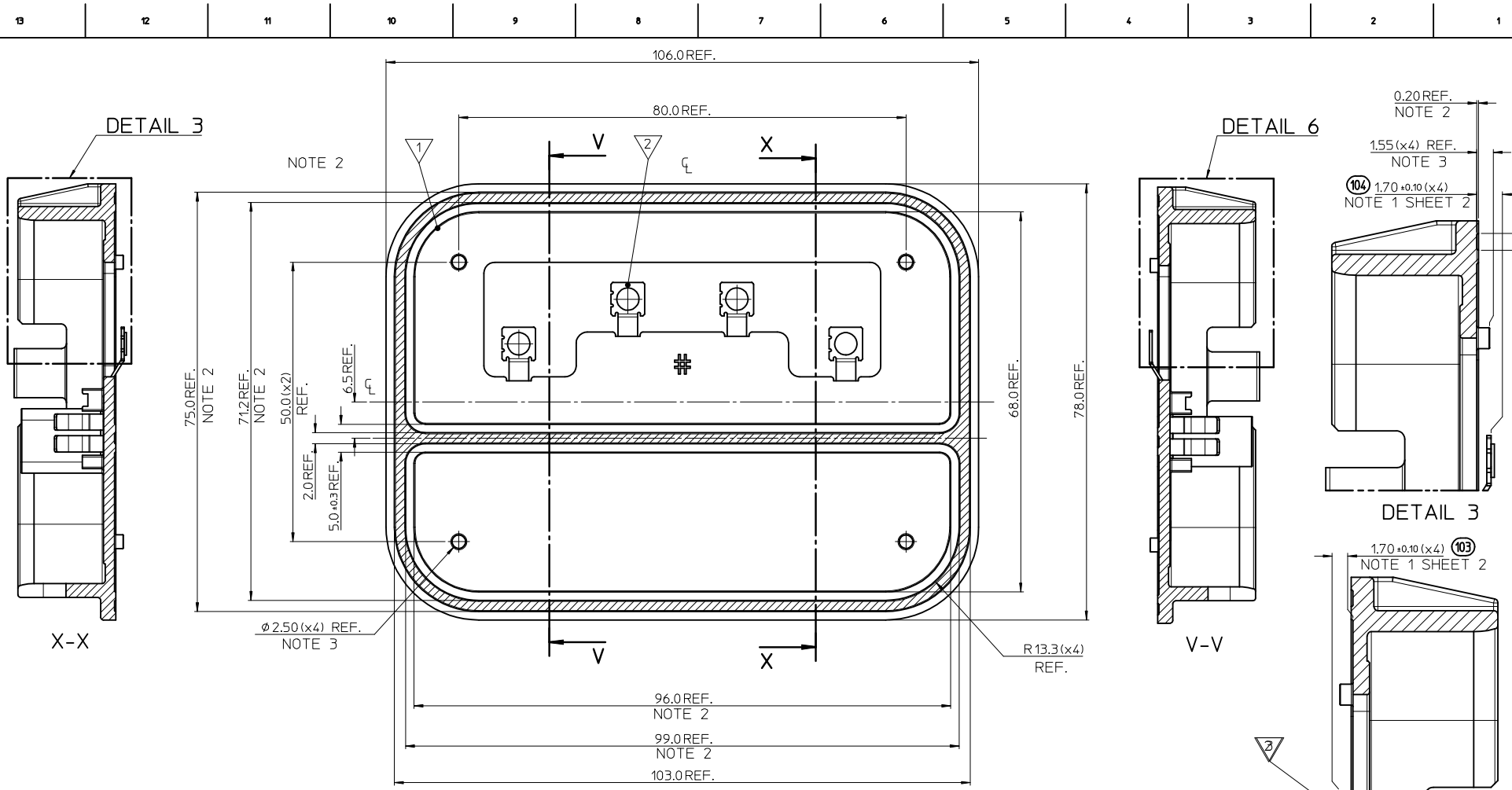
MATERIAL NO. SEE SHEET 6  
DOCUMENT NO. SD-93170-001

SIZE A 2

THIS DRAWING CONTAINS INFORMATION THAT IS PROPRIETARY TO MOLEX INCORPORATED AND SHOULD NOT BE USED WITHOUT WRITTEN PERMISSION

MOLEX MOLEX INCORPORATED

SHEET NO. 2 OF 7

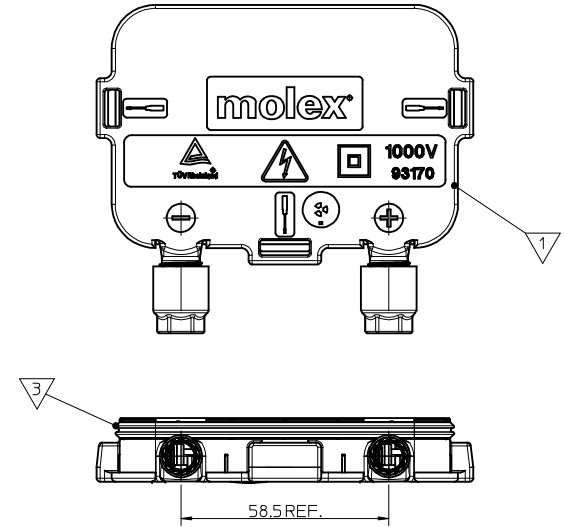
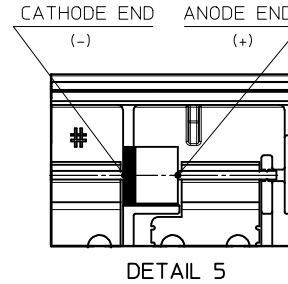
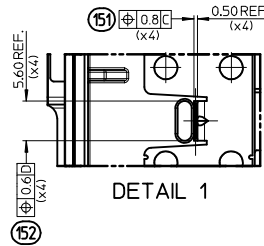
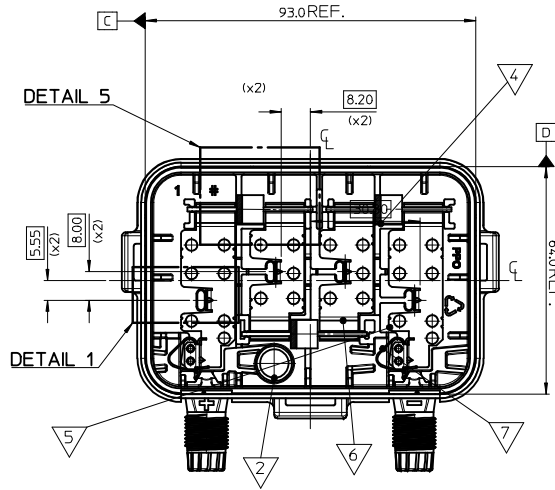
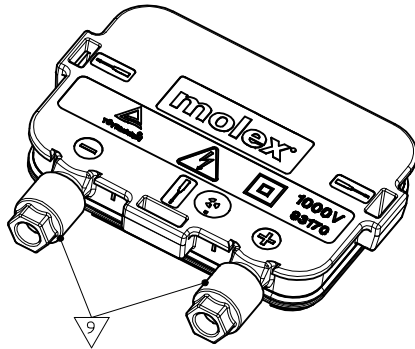
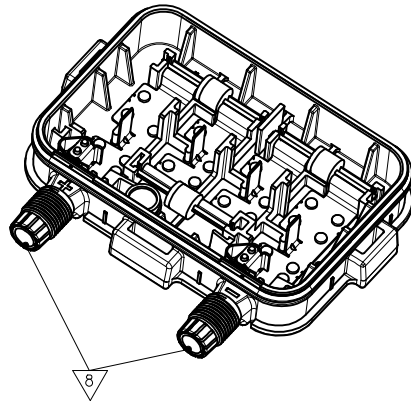


- NOTES:
1. DIMENSIONS APPLY TO SILICONE VERSIONS OF PANEL ASSEMBLIES ONLY. ALL OTHER DIMENSIONS SEE SHEETS 1 & 2
  2. HATCHED AREA SHOWS DETAIL OF GROOVE FOR SILICONE APPLICATION. GROOVE WALLS RAISED 0.2mm FROM BOTTOM SURFACE OF HOUSING TO MAINTAIN PLASTIC THICKNESS OF 2mm.
  3. 4x STAND-OFFS TO GIVE SAME TERMINAL HEIGHTS AS FOR TAPE VERSIONS.
  4. SEE SHEET 6 FOR PART NUMBER OPTIONS.

INSPECTION NUMBERS RESERVED FOR SHEET 3: 101-150  
 DELETED INSPECTION NUMBER: 101,102  
 LAST INSPECTION NUMBER USED: 104

SOLAR J.B SILICONE VERSIONS WITH SOLDER CHARGE			SOLAR J.B SILICONE VERSIONS WITHOUT SOLDER CHARGE		
ITEM	DESCRIPTION	QTY	ITEM	DESCRIPTION	QTY
▽	HOUSING	1	▽	HOUSING	1
▽	PANEL TERM W/ SLDR CHARGE	4	▽	PANEL TERM PLATED	4

SEE SHEET 1 EC NO: E2010-0121 DRAWN: SMCREEVY 2009/11/03 CHKD: SMCREEVY 2009/11/03 APPR: EFOLAN 2009/11/03	QUALITY SYMBOLS	GENERAL TOLERANCES (UNLESS SPECIFIED)	DIMENSION STYLE	SCALE	DESIGN UNITS	THIRD ANGLE PROJECTION
	▽=0	mm INCH	MM ONLY	2:1	METRIC	
	▽=0	4 PLACES ± --- ± ---	DRAWN BY DATE			
		3 PLACES ± --- ± ---	MSHANAHAN 2008/7/11	TITLE		
	2 PLACES ± 0.10 ± ---	CHECKED BY DATE	JUNCTION BOX FOR P.V. SOLAR PANEL			
	1 PLACE ± 0.2 ± ---	SMCGREEVY 2008/7/11				
	ANGULAR ± 2 °	APPROVED BY DATE	MOLEX INCORPORATED			
		EFOLAN 2008/7/11				
	DRAFT WHERE APPLICABLE MUST REMAIN WITHIN DIMENSIONS	MATERIAL NO.	SD-93170-001			
		SEE SHEET 6	3 OF 7			
		SIZE A 2	THIS DRAWING CONTAINS INFORMATION THAT IS PROPRIETARY TO MOLEX INCORPORATED AND SHOULD NOT BE USED WITHOUT WRITTEN PERMISSION			



NOTES:

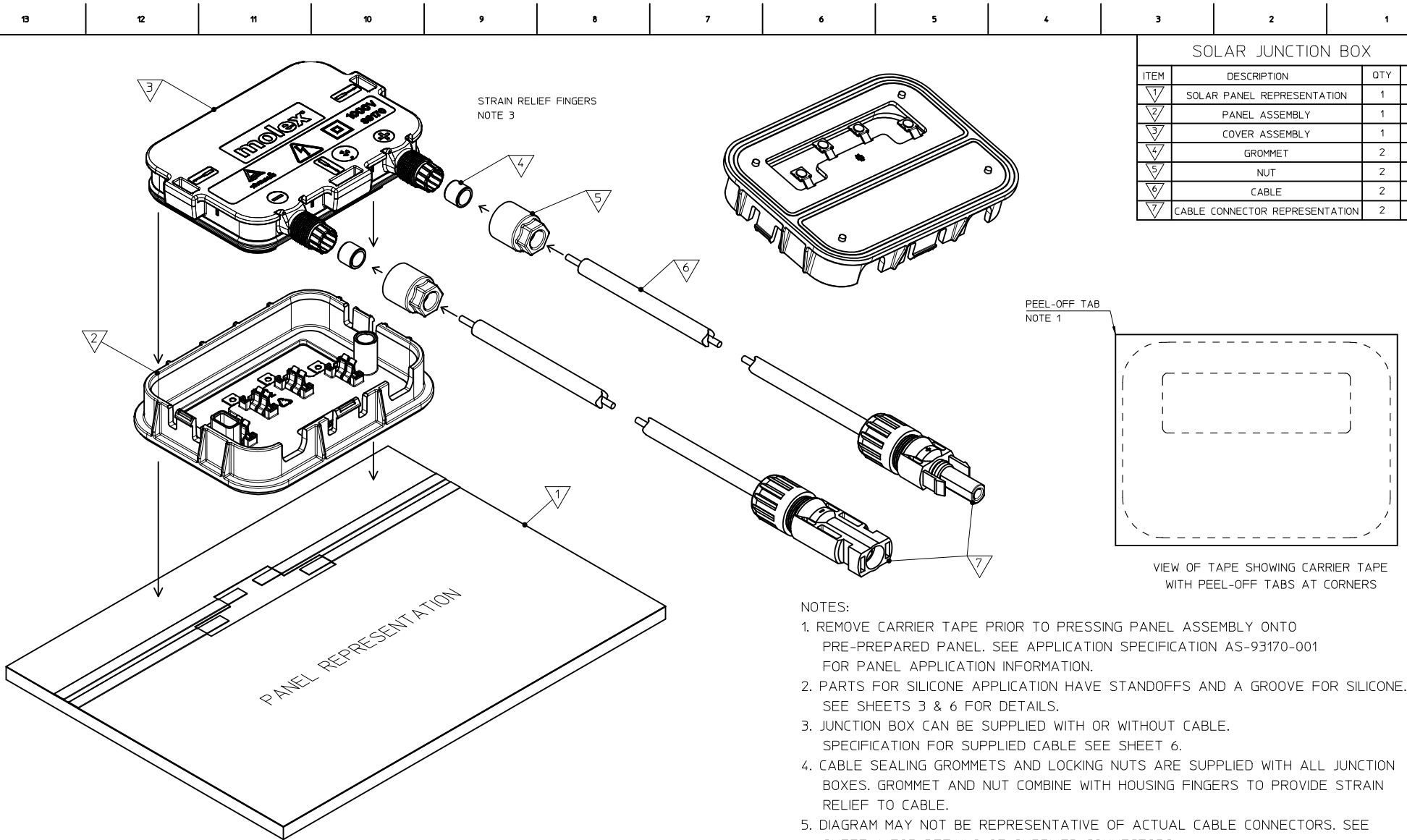
1. SEPARATE COVER ASSEMBLY FROM BASE BY OPENING RETENTION CLIPS WITH SCREWDRIVER.
2. PRESSURE EQUALISATION AND BREATHABILITY VENT.
3. SILICONE SEAL: SHORE HARDNESS: 30A
4. DIODES SOLDERED TO TERMINALS TO GIVE BEST HEAT REMOVAL PERFORMANCE.
5. TERMINALS HEAT STAKED INTO HOUSING. LARGE SURFACE AREA FOR HEAT DISSIPATION.
6. INSERT CABLE BY OPENING CABLE CLAMP WITH LONG-NOSE PLIERS.
7. PARTS SUPPLIED WITH OR WITHOUT CABLES (SEE SHEET 6)
8. PARTS SUPPLIED WITH GROMMETS INSTALLED. FOR JUNCTION BOX ONLY ASSEMBLIES, M12 NUT WILL BE SUPPLIED INSTALLED BUT NOT TIGHTENED.
9. FOR PART NUMBER OPTIONS SEE SHEET 6

INSPECTION NUMBERS RESERVED FOR SHEET 3: 151-200  
LAST INSPECTION NUMBER USED: 152

9317040XX			
ITEM	DESCRIPTION	QTY	NOTE
1	COVER HOUSING	1	1
2	BREATHABLE VENT	1	2
3	SILICONE SEAL	1	3
4	DIODE	3	4
5	TERMINAL (OUTER)	2	5
6	TERMINAL (CENTRE)	2	5
7	CABLE SPRING CLAMP	2	6
8	SILICONE GROMMET	2	7
9	M12 NUT	2	8

<b>SEE SHEET 1</b> EC NO: E2010-0121 DRAWN: SMCREEVY 2009/11/03 CHKD: SMCREEVY 2009/11/03 APPR: EFOLAN 2009/11/03	QUALITY SYMBOLS ▽=0 ▽=0	GENERAL TOLERANCES (UNLESS SPECIFIED)		DIMENSION STYLE <b>MM ONLY</b>		SCALE <b>1:1</b>	DESIGN UNITS <b>METRIC</b>	THIRD ANGLE PROJECTION		
		4 PLACES ± --- ± --- 3 PLACES ± --- ± --- 2 PLACES ± 0.10 ± --- 1 PLACE ± 0.2 ± ---	mm INCH	DRAWN BY MSHANAHAN	DATE 2008/7/11	TITLE <b>JUNCTION BOX FOR P.V. SOLAR PANEL</b>				
		DRAFT WHERE APPLICABLE MUST REMAIN WITHIN DIMENSIONS		CHECKED BY SMCREEVY	DATE 2008/7/11	APPROVED BY EFOLAN		DATE 2008/7/11	<b>molex</b> MOLEX INCORPORATED	
				MATERIAL NO. <b>SEE SHEET 6</b>	DOCUMENT NO. <b>SD-93170-001</b>	SHEET NO. <b>4 OF 7</b>				

THIS DRAWING CONTAINS INFORMATION THAT IS PROPRIETARY TO MOLEX INCORPORATED AND SHOULD NOT BE USED WITHOUT WRITTEN PERMISSION



SOLAR JUNCTION BOX			
ITEM	DESCRIPTION	QTY	NOTE
▽	SOLAR PANEL REPRESENTATION	1	
▽	PANEL ASSEMBLY	1	
▽	COVER ASSEMBLY	1	
▽	GROMMET	2	4
▽	NUT	2	4
▽	CABLE	2	3
▽	CABLE CONNECTOR REPRESENTATION	2	5

- NOTES:
1. REMOVE CARRIER TAPE PRIOR TO PRESSING PANEL ASSEMBLY ONTO PRE-PREPARED PANEL. SEE APPLICATION SPECIFICATION AS-93170-001 FOR PANEL APPLICATION INFORMATION.
  2. PARTS FOR SILICONE APPLICATION HAVE STANDOFFS AND A GROOVE FOR SILICONE. SEE SHEETS 3 & 6 FOR DETAILS.
  3. JUNCTION BOX CAN BE SUPPLIED WITH OR WITHOUT CABLE. SPECIFICATION FOR SUPPLIED CABLE SEE SHEET 6.
  4. CABLE SEALING GROMMETS AND LOCKING NUTS ARE SUPPLIED WITH ALL JUNCTION BOXES. GROMMET AND NUT COMBINE WITH HOUSING FINGERS TO PROVIDE STRAIN RELIEF TO CABLE.
  5. DIAGRAM MAY NOT BE REPRESENTATIVE OF ACTUAL CABLE CONNECTORS. SEE SHEET 6 FOR DETAILS OF SUPPLIED CONNECTORS.

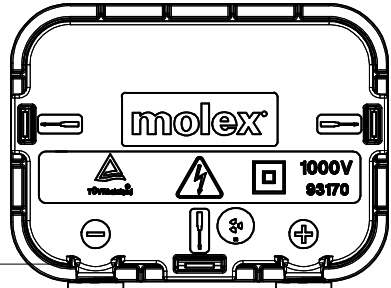
SEE SHEET 1 EC NO: E2010-0121 DRWN: SMCGREEVY 2009/11/03 CHKD: SMCGREEVY 2009/11/03 APPR: EFOLAN 2009/11/03	QUALITY SYMBOLS ▽=0 ▽=0	GENERAL TOLERANCES (UNLESS SPECIFIED) <table border="1"> <tr> <th></th> <th>mm</th> <th>INCH</th> </tr> <tr> <td>4 PLACES</td> <td>± .005</td> <td>± .0005</td> </tr> <tr> <td>3 PLACES</td> <td>± .005</td> <td>± .0005</td> </tr> <tr> <td>2 PLACES</td> <td>± 0.10</td> <td>± .004</td> </tr> <tr> <td>1 PLACE</td> <td>± 0.2</td> <td>± .008</td> </tr> <tr> <td colspan="3">ANGULAR ± 2 °</td> </tr> </table>		mm	INCH	4 PLACES	± .005	± .0005	3 PLACES	± .005	± .0005	2 PLACES	± 0.10	± .004	1 PLACE	± 0.2	± .008	ANGULAR ± 2 °			DIMENSION STYLE <b>MM ONLY</b>	SCALE <b>1:1</b>	DESIGN UNITS <b>METRIC</b>	THIRD ANGLE PROJECTION
		mm	INCH																					
	4 PLACES	± .005	± .0005																					
	3 PLACES	± .005	± .0005																					
2 PLACES	± 0.10	± .004																						
1 PLACE	± 0.2	± .008																						
ANGULAR ± 2 °																								
DRAWN BY MSHANAHAN 2008/7/11	DATE 2008/7/11	TITLE <b>JUNCTION BOX FOR P.V. SOLAR PANEL</b>																						
CHECKED BY SMCGREEVY 2008/7/11	DATE 2008/7/11	<b>MOLEX INCORPORATED</b>																						
APPROVED BY EFOLAN 2008/7/11	DATE 2008/7/11	MATERIAL NO. <b>SEE SHEET 6</b>	DOCUMENT NO. <b>SD-93170-001</b>	SHEET NO. <b>5 OF 7</b>																				

FULL ASSEMBLY	SILICONE/ TAPE	SOLDER CHARGE (Y/N)	CABLE TYPE	CABLE LENGTH	CONNECTOR TYPE
931705000	SILICONE	N	NONE	N/A	N/A
931705001	SILICONE	Y	NONE	N/A	N/A
931705100	SILICONE	N	LEONI BETAFLAM 12AWG (4mm <sup>2</sup> )	0.9m	MC4
931705101	SILICONE	Y	LEONI BETAFLAM 12AWG (4mm <sup>2</sup> )	0.9m	MC4
931705200	SILICONE	N	MC FLEX-SOL 12AWG (4mm <sup>2</sup> )	1.0m	MC4
931705201	SILICONE	Y	MC FLEX-SOL 12AWG (4mm <sup>2</sup> )	1.0m	MC4
931705300	SILICONE	N	MC FLEX-SOL XL 12AWG (4mm <sup>2</sup> )	1.5m	MC4
931705301	SILICONE	Y	MC FLEX-SOL XL 12AWG (4mm <sup>2</sup> )	1.5m	MC4
931705010	TAPE	N	NONE	N/A	N/A
931705011	TAPE	Y	NONE	N/A	N/A
931705110	TAPE	N	LEONI BETAFLAM 12AWG (4mm <sup>2</sup> )	0.9m	MC4
931705111	TAPE	Y	LEONI BETAFLAM 12AWG (4mm <sup>2</sup> )	0.9m	MC4
931705210	TAPE	N	MC FLEX-SOL 12AWG (4mm <sup>2</sup> )	1.0m	MC4
931705211	TAPE	Y	MC FLEX-SOL 12AWG (4mm <sup>2</sup> )	1.0m	MC4
931705310	TAPE	N	MC FLEX-SOL XL 12AWG (4mm <sup>2</sup> )	1.5m	MC4
931705311	TAPE	Y	MC FLEX-SOL XL 12AWG (4mm <sup>2</sup> )	1.5m	MC4

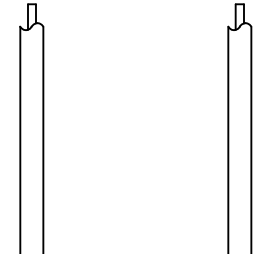
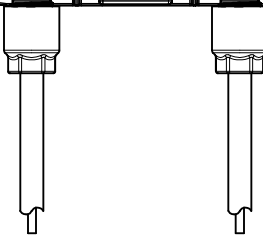
NOTES:

- PART NUMBERS SHOWN ARE FOR FULL ASSEMBLIES.
- PACKAGING:
  - PANEL ASSEMBLY: TRAYS
  - COVER ASSEMBLY: IN BOXES
 SEE PACKAGING SPECIFICATION: PK-93170-001
- ASSEMBLIES WITH CABLES COME WITH 1 POSITIVE AND 1 NEGATIVE CABLE ATTACHED.
- FOR CABLE OPTIONS NOT SPECIFIED PLEASE CONTACT YOUR MOLEX SALES ENGINEER FOR ASSISTANCE.
- FOR ASSEMBLY OF CABLES SEE APPLICATION SPECIFICATION AS-93170-001.
- CABLE OUTER DIAMETER RANGE SUPPORTED: 5.8mm - 7.1mm

SEE SHEET 1 EC NO: E2010-0121 DRAWN: SMCREEVY 2009/11/03 CHKD: 2009/11/03 APPR: EFOLAN 2009/11/03	DESCRIPTION REV	QUALITY SYMBOLS	GENERAL TOLERANCES (UNLESS SPECIFIED)	DIMENSION STYLE	SCALE	DESIGN UNITS	THIRD ANGLE PROJECTION	
		$\nabla=0$ $\nabla=0$	mm    INCH 4 PLACES ± --- ± --- 3 PLACES ± --- ± --- 2 PLACES ± 0.10 ± --- 1 PLACE ± 0.2 ± --- ANGULAR ± 2 °	MM ONLY	1:1	METRIC	DRAWN BY DATE MSHANAHAN 2008/7/11 CHECKED BY DATE SMCREEVY 2008/7/11 APPROVED BY DATE EFOLAN 2008/7/11	TITLE
			DRAFT WHERE APPLICABLE MUST REMAIN WITHIN DIMENSIONS				JUNCTION BOX FOR P.V. SOLAR PANEL	
							MOLEX INCORPORATED MATERIAL NO.    DOCUMENT NO.	SD-93170-001 SHEET NO. 6 OF 7



DIMENSION \*A\* (x2)



NEGATIVE  
CONNECTOR

POSITIVE  
CONNECTOR

NOTES:

1. CABLE LENGTH MEASURED FROM BOX TO BACK END OF CONNECTOR.
2. DIMENSION \*A\* CONTROLLED BY CHOSEN PART NUMBER. SEE SHEET 6 FOR AVAILABLE CABLE/LENGTH OPTIONS.

SEE SHEET 1 EC NO: E2010-0121 DRAWN: SMCGREEVY 2009/11/03 CHKD: SMCGREEVY 2009/11/03 APPR: EFOLAN 2009/11/03	DESCRIPTION REV C	QUALITY SYMBOLS ▽=0 ▽=0		GENERAL TOLERANCES (UNLESS SPECIFIED)		DIMENSION STYLE <b>MM ONLY</b>		SCALE <b>1:1</b>	DESIGN UNITS <b>METRIC</b>	THIRD ANGLE PROJECTION		
				mm INCH	DRAWN BY MSHANAHAN		DATE 2008/7/11		TITLE <b>JUNCTION BOX FOR P.V. SOLAR PANEL</b>			
		4 PLACES ± --- ± ---	3 PLACES ± --- ± ---	2 PLACES ± 0.10 ± ---	1 PLACE ± 0.2 ± ---	CHECKED BY SMCGREEVY		DATE 2008/7/11		MOLEX INCORPORATED		
		ANGULAR ± 2 °		DRAFT WHERE APPLICABLE MUST REMAIN WITHIN DIMENSIONS		APPROVED BY EFOLAN		DATE 2008/7/11		MATERIAL NO. <b>SHEET 6</b>		DOCUMENT NO. <b>SD-93170-001</b>
										SHEET NO. <b>7 OF 7</b>		
THIS DRAWING CONTAINS INFORMATION THAT IS PROPRIETARY TO MOLEX INCORPORATED AND SHOULD NOT BE USED WITHOUT WRITTEN PERMISSION												